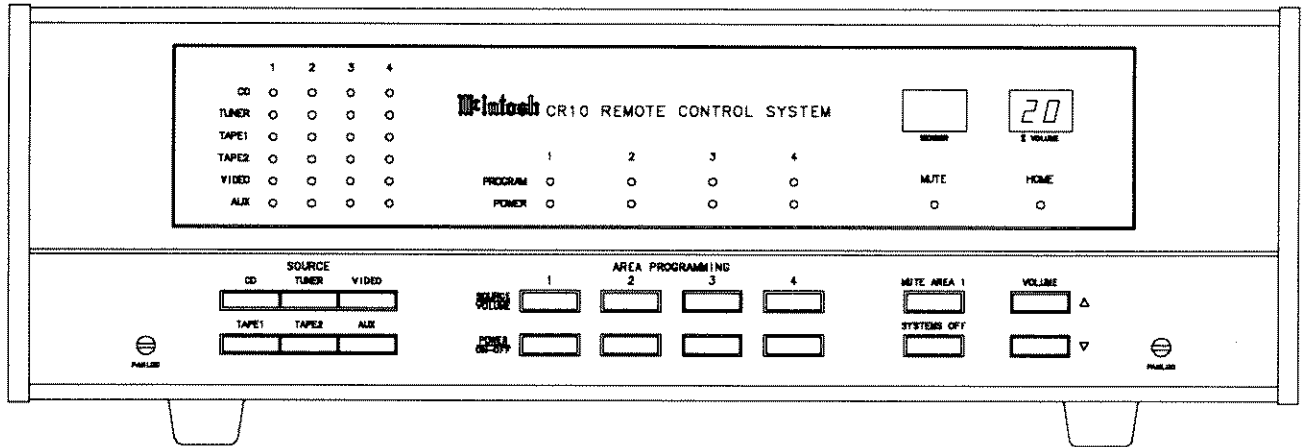


CR10

REMOTE CONTROL SYSTEM



CONTENTS

Performance Specifications	2
Mechanical Views	3-4
Notes	4
Block Diagram	5
Section Locations	6
Front Panel and Trim Parts List	7
Installation Hardware Parts List	7
Section 1—Interconnection Diagram	7-8
Section 2—Input Buffer	10-12
Section 3—Data Ports	13
Section 4—Keyboard	14-16
Section 5—System Control	17-22
Section 6—Area Control	23-27
Section 7—Display	28-32
Repacking Instructions	33

Performance Specifications

FREQUENCY RESPONSE

+0, -0.5dB from 20Hz to 20,000Hz

RATED OUTPUT VOLTAGE

2.5 volts, (8 volts maximum)

SENSITIVITY

ALL inputs; 0.25 volts for 2.5 volts rated output

TOTAL HARMONIC DISTORTION

0.004% maximum from 20Hz to 20,000Hz at rated output

SIGNAL TO NOISE RATIO, A-WEIGHTED

86dB below rated output.

98dB below rated output, (A-Weighted)

MAXIMUM INPUT SIGNAL

8 volts

INPUT IMPEDANCE

22K ohms

MECHANICAL

SIZE

Front Panel: 17.5 inches (44.5cm) wide by 5-3/8 inches (13.7cm) high. Depth behind the mounting panel including clearance for connectors is 15-1/2 inches (39.4cm). Clearance required in front of the mounting panel is 1 inch (2.54cm).

FINISH

The top section of the front panel is glass with gold/teal nomenclature illumination. The bottom section is anodized black aluminum.

WEIGHT

16.5 pounds (7.5Kg) net, 28.5 pounds (12.9Kg) in shipping carton.

Mechanical Views

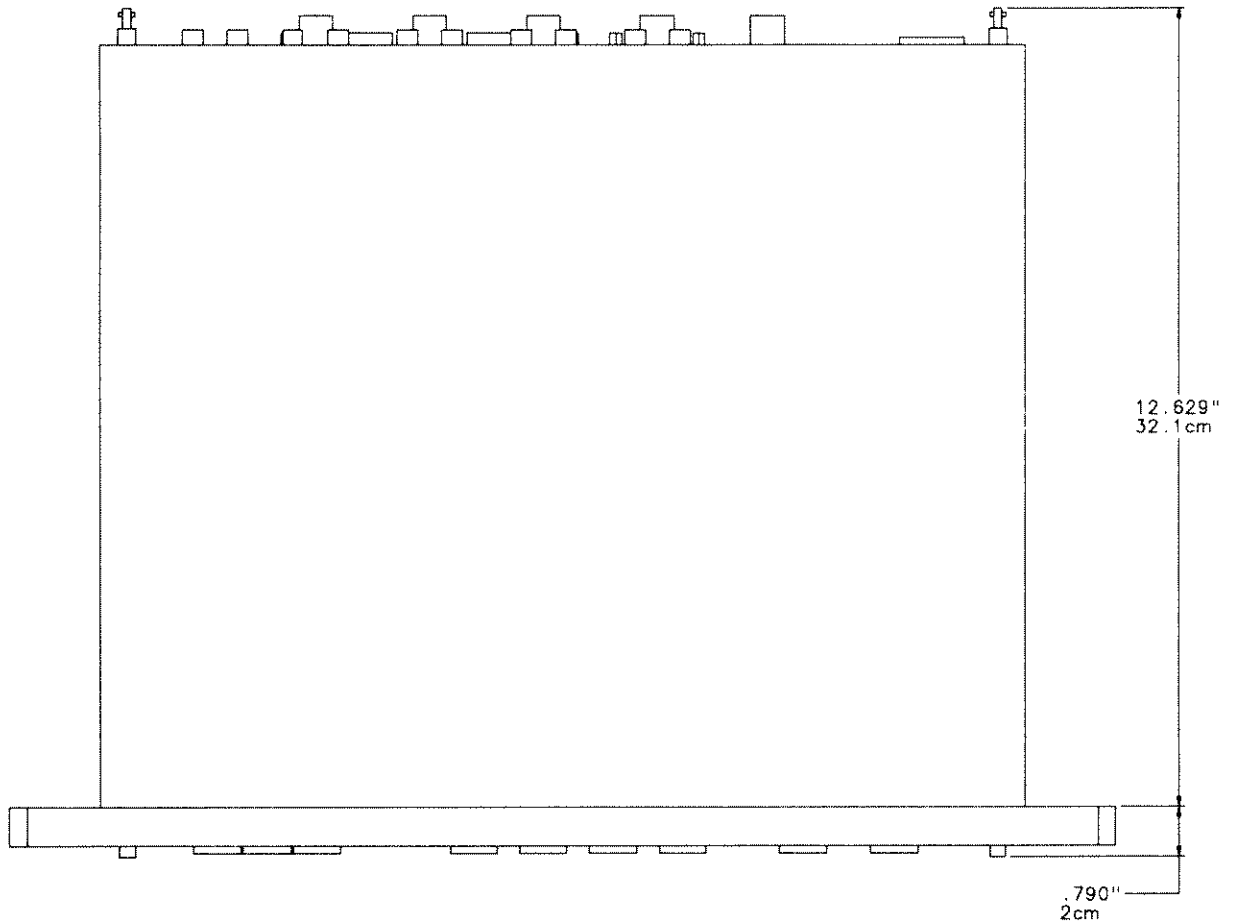


Fig. 1. Top view

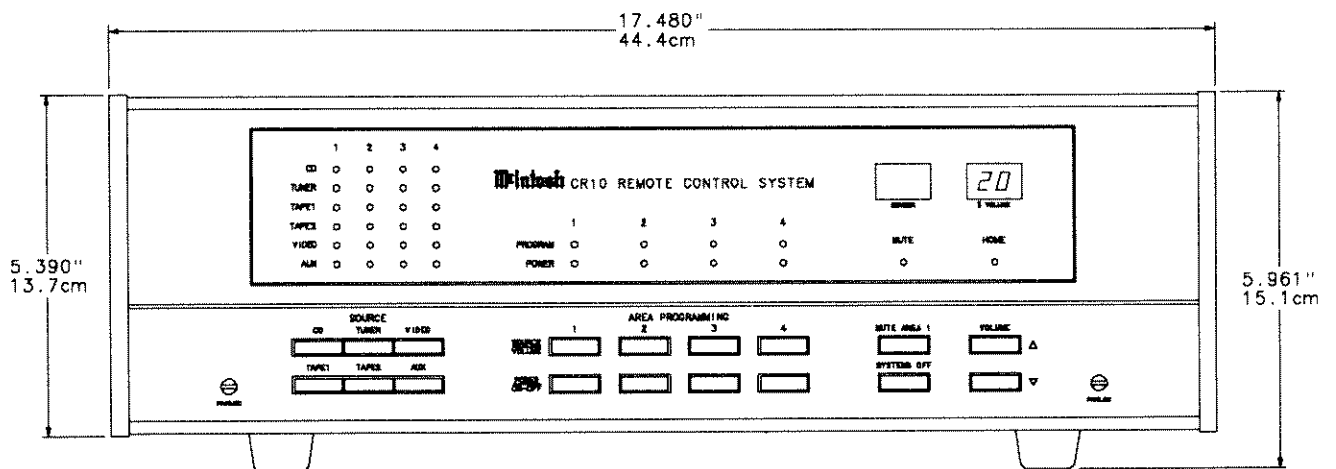


Fig. 2. Front view

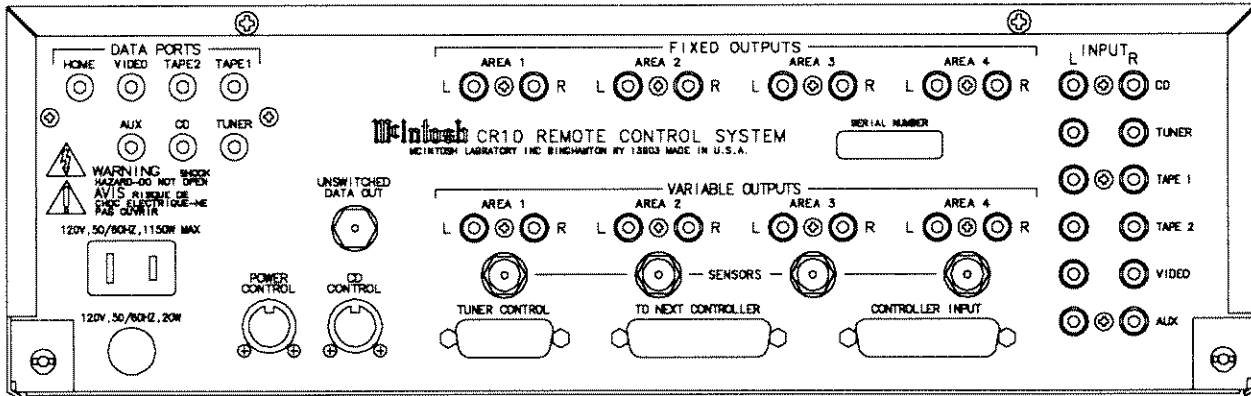



Fig. 3. Rear view

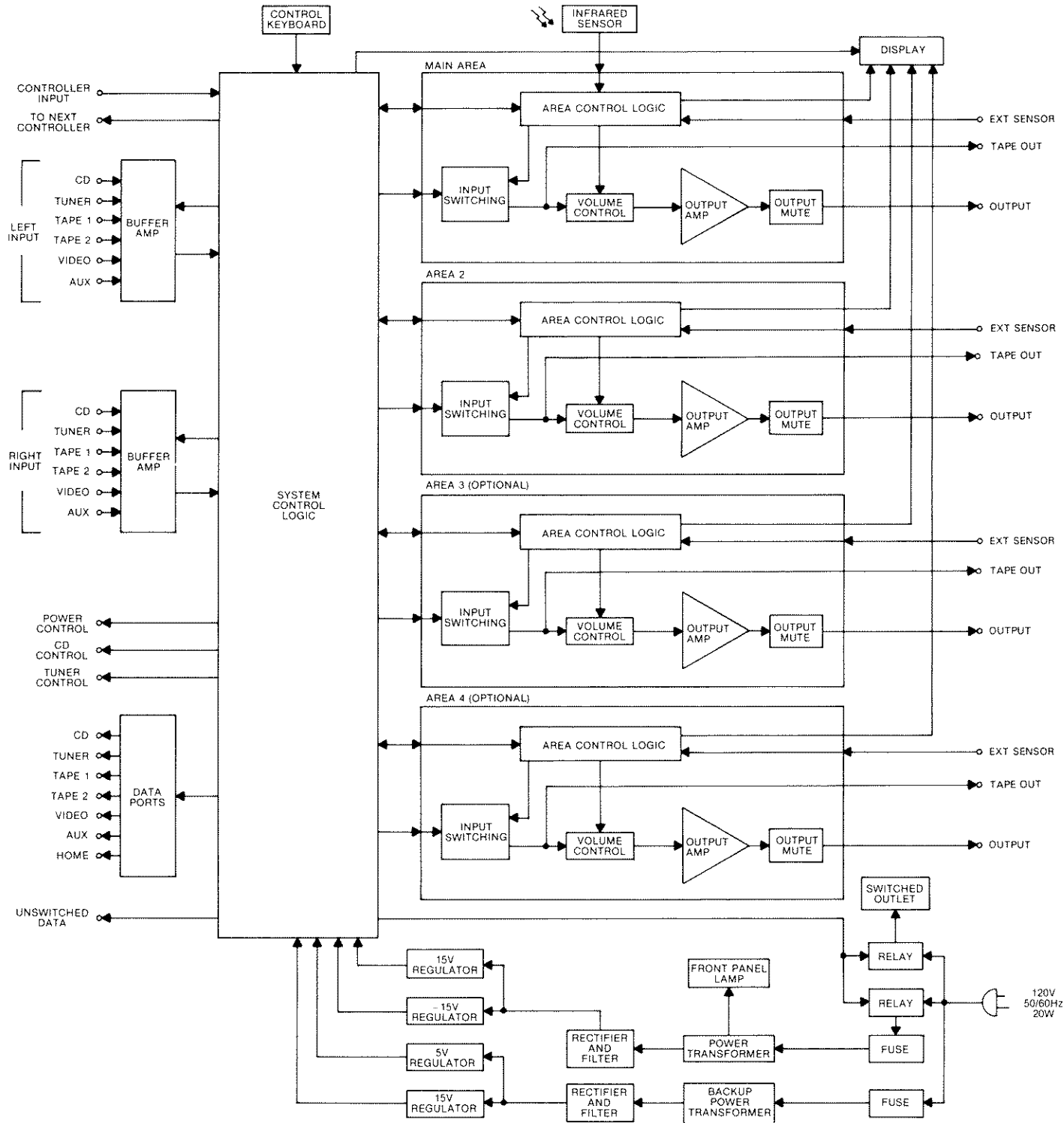
Notes

1. Unless otherwise noted, all voltages indicated on the following schematics are measured under the following conditions:
 - a. AC input at 120 volts, 50/60Hz.
 - b. All voltages are $\pm 10\%$ with respect to ground. A high impedance (10 megohm) voltmeter must be used.
2. Unless otherwise specified:
 - a. Resistor values are in ohms.
 - b. Capacitance values smaller than 1 are microfarads (μF) and capacitors values greater than 1 are in picofarads (pF).
 - c. Inductor values are in microhenries (μH).

WARNING:

Parts marked with the symbol  have critical characteristics.
Use ONLY replacement parts recommended by the manufacturer.

Block Diagram



Section Locations

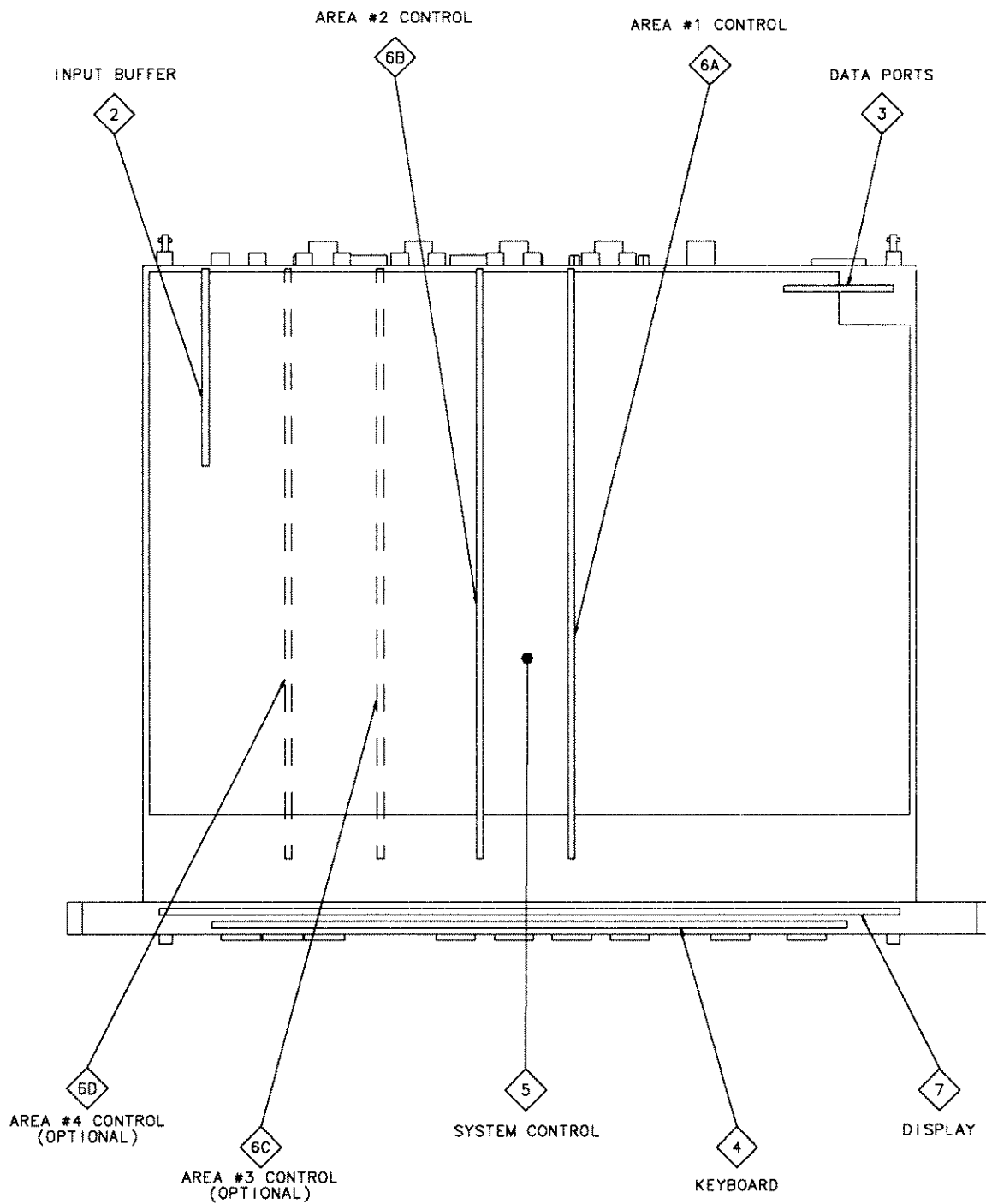


Fig. 4. Top view with cover removed

Interconnection Diagram



FRONT PANEL AND TRIM PARTS LIST

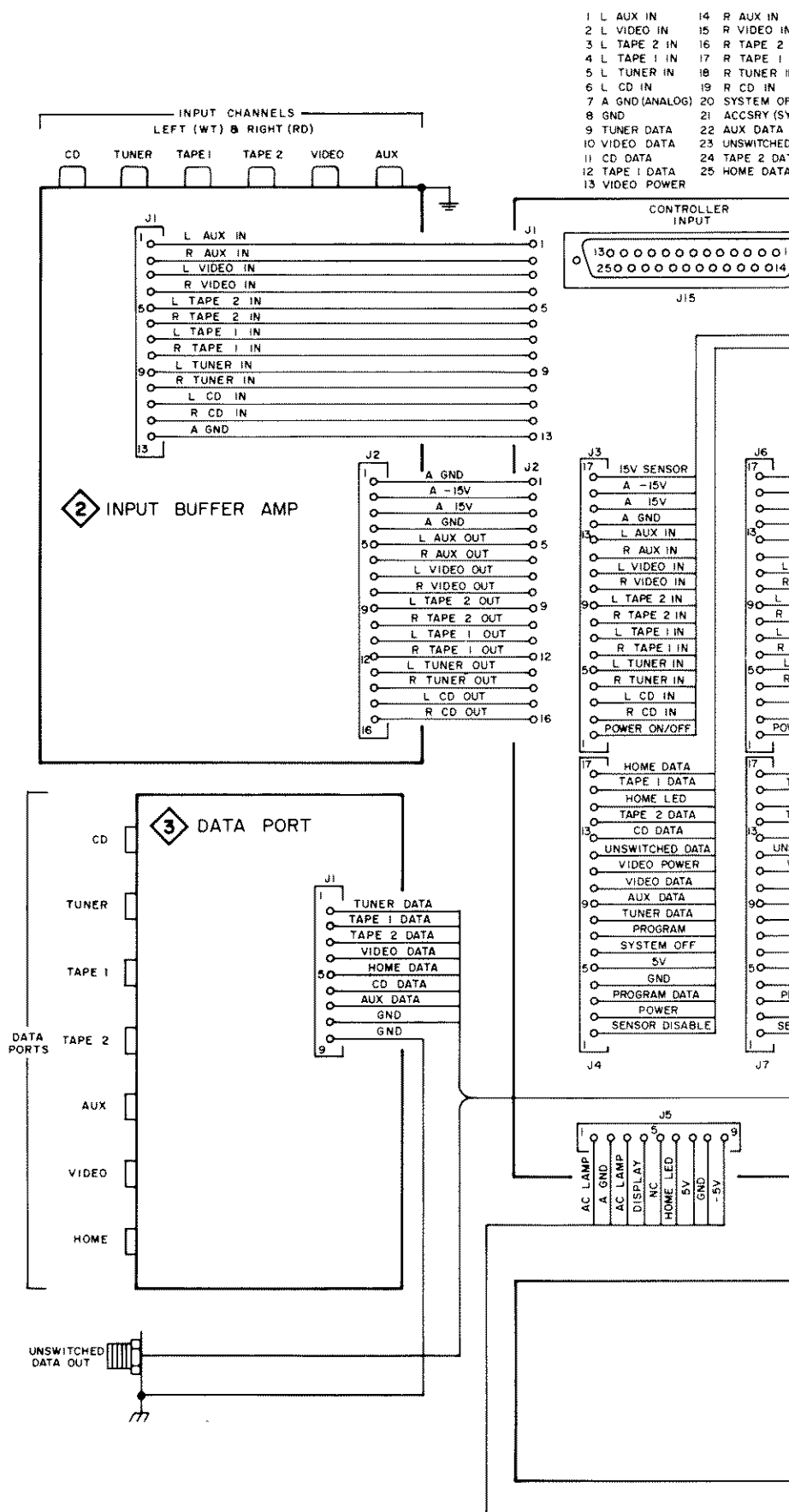
Part	Description
017485	Pushbutton, Red
017486	Pushbutton, Black
018428	Top Panel Rail
018394	Bottom Extrusion
018232	End Cap
047154	Front Panel, Glass
047155	Front Panel, Complete

INSTALLATION HARDWARE PARTS LIST

Part	Description
003508	Panloc Shelf Bracket, Right
003509	Panel Shelf Bracket, Left
017218	Plastic Secure W/100159 Screws
039671	Mounting Template
043401	Mounting Strip
047153	Hardware Package
100159	Mach Screw, 10-32 x 3/4

INTERCONNECTION PARTS LIST

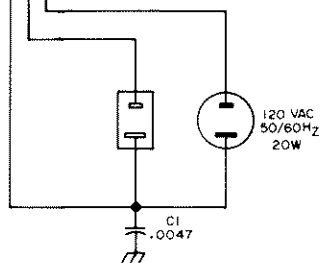
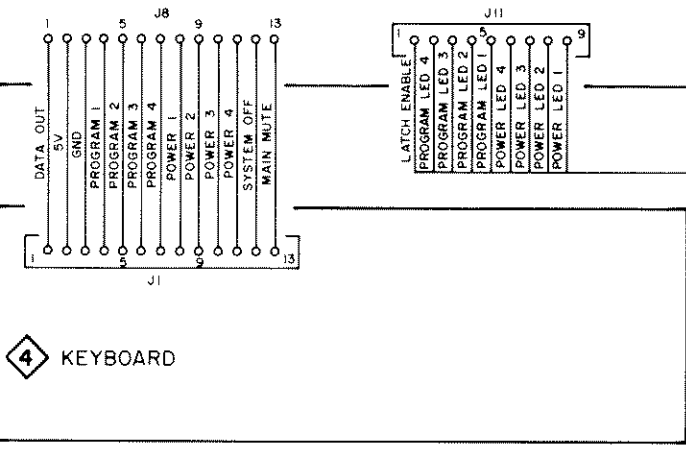
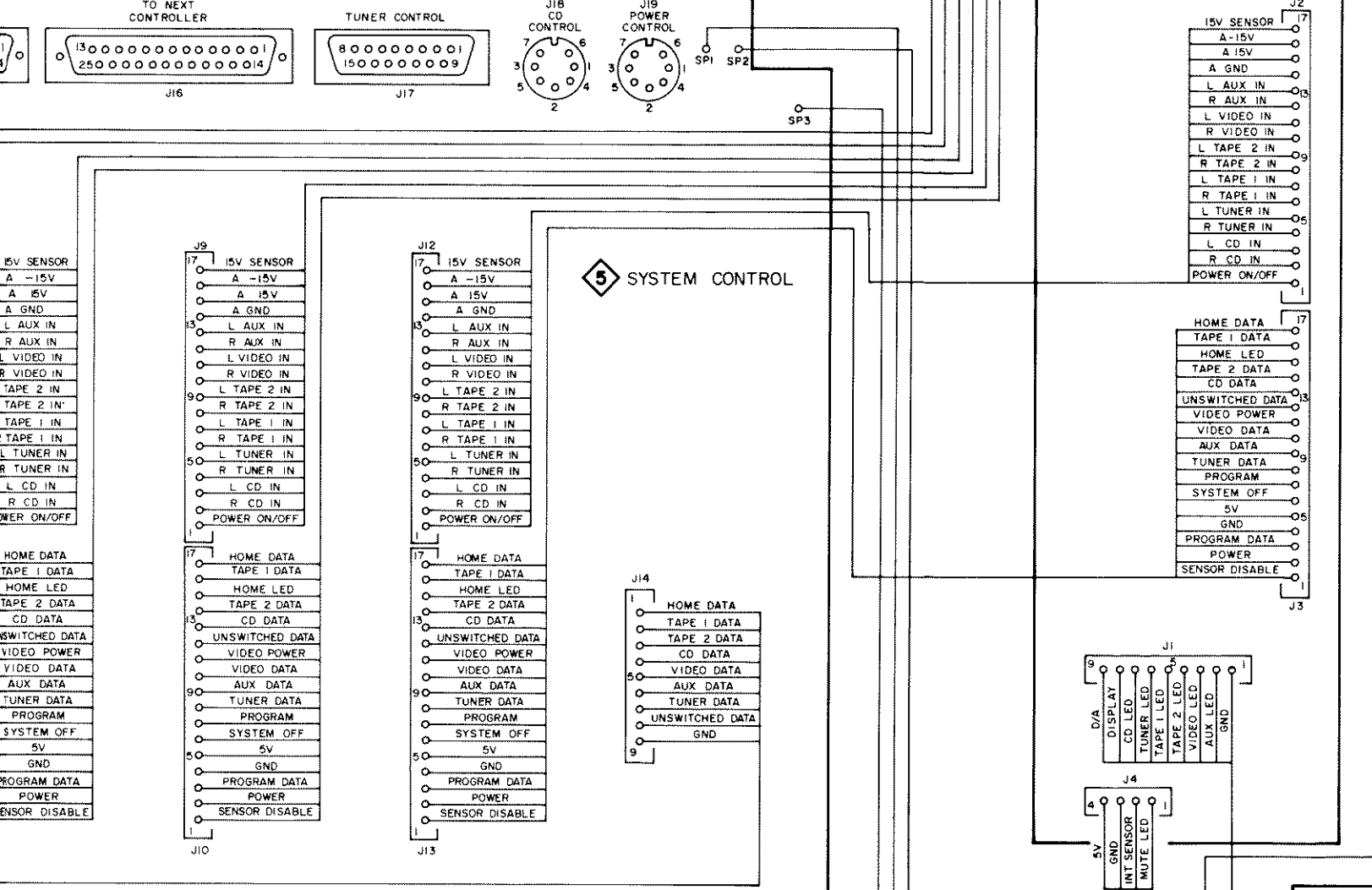
Symbol	Part	Description
CAPACITORS		
C1	061276	CD, .0047uF, 400V, UL/CSA



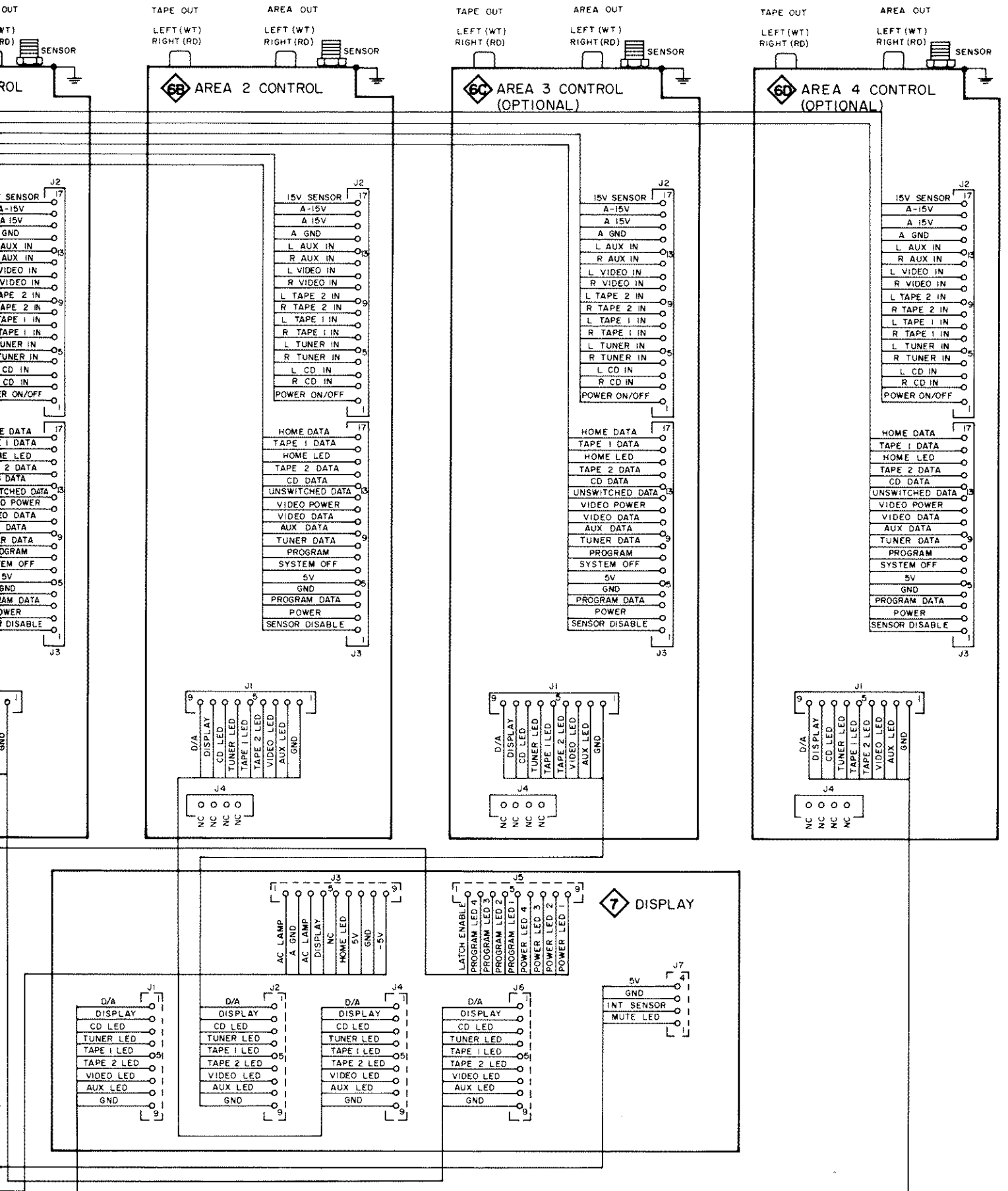
- 1 L AUX OUT
- 2 L VIDEO OUT
- 3 L TAPE 2 OUT
- 4 L TAPE 1 OUT
- 5 L TUNER OUT
- 6 L CD OUT
- 7 A GND (ANALOG)
- 8 GND
- 9 TUNER DATA
- 10 VIDEO DATA
- 11 CD DATA
- 12 TAPE 1 DATA
- 13 VIDEO POWER
- 14 R AUX OUT
- 15 R VIDEO OUT
- 16 R TAPE 2 OUT
- 17 R TAPE 1 OUT
- 18 R TUNER OUT
- 19 R CD OUT
- 20 SYSTEM OFF
- 21 ACCSRY (SYS ON)
- 22 AUX DATA
- 23 UNSWITCHED DATA
- 24 TAPE 2 DATA
- 25 HOME DATA
- 1 STATION 7
- 2 STATION 5
- 3 STATION 3
- 4 STATION 1
- 5 STATION 8
- 6 SCAN ▽
- 7 SEARCH
- 8 FM
- 9 STATION 6
- 10 STATION 4
- 11 STATION 2
- 12 GND
- 13 NC
- 14 SCAN Δ
- 15 AM
- 1 BACK
- 2 STOP
- 3 PLAY
- 4 NEXT
- 5 NC
- 6 NC
- 7 GND
- 1 POWER 3
- 2 POWER MAIN
- 3 ACCSRY (SYS ON)
- 4 POWER 2
- 5 VIDEO POWER
- 6 POWER 4
- 7 GND

- TAPE OUT
- AREA OUT
- LEFT (WT)
- RIGHT (RD)
- SENSOR

6A AREA I CONTROL



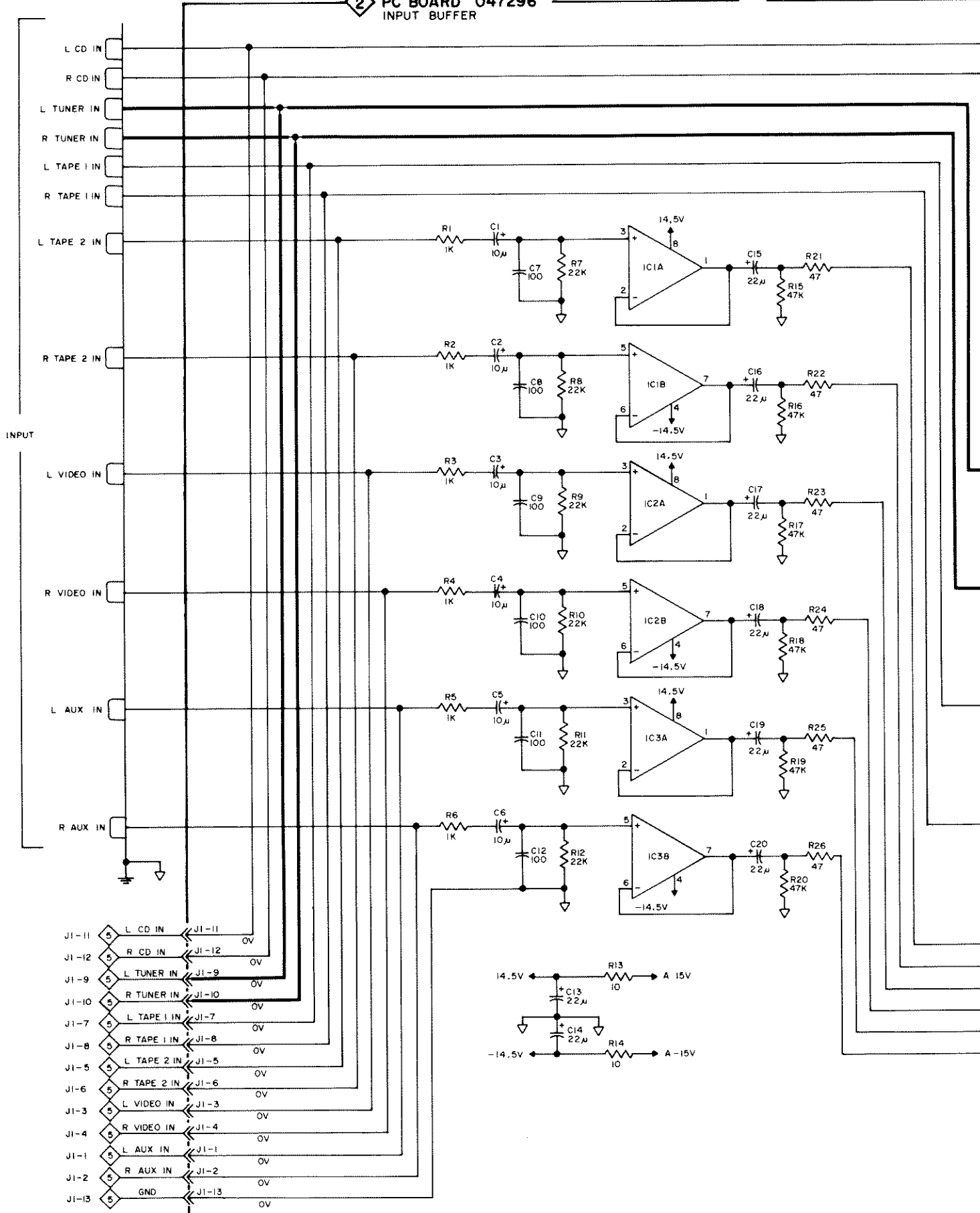
- D/A
- DISPL
- CD LED
- TUNER LED
- TAPE 1 LED
- TAPE 2 LED
- VIDEO LED
- AUX LED
- GND

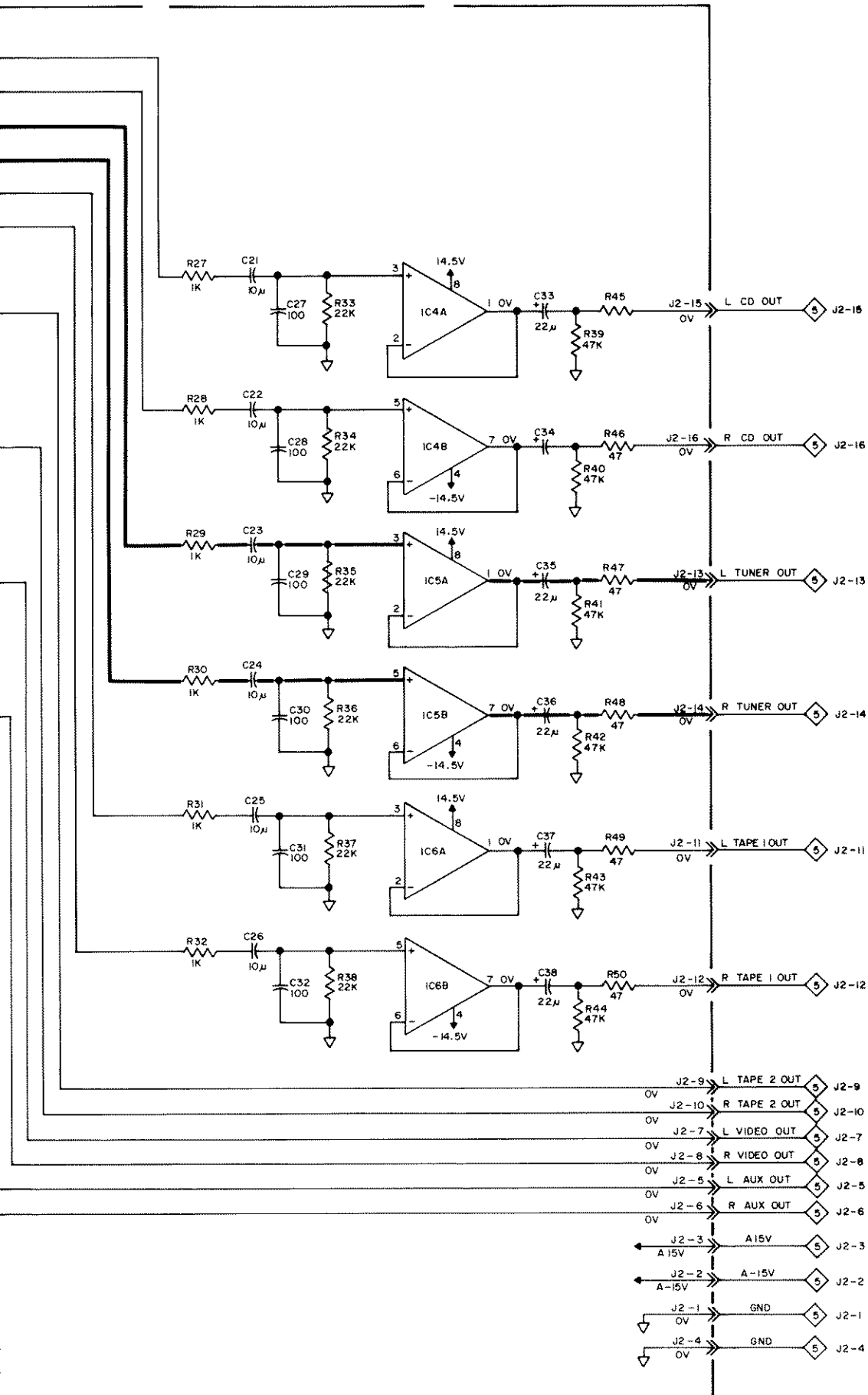


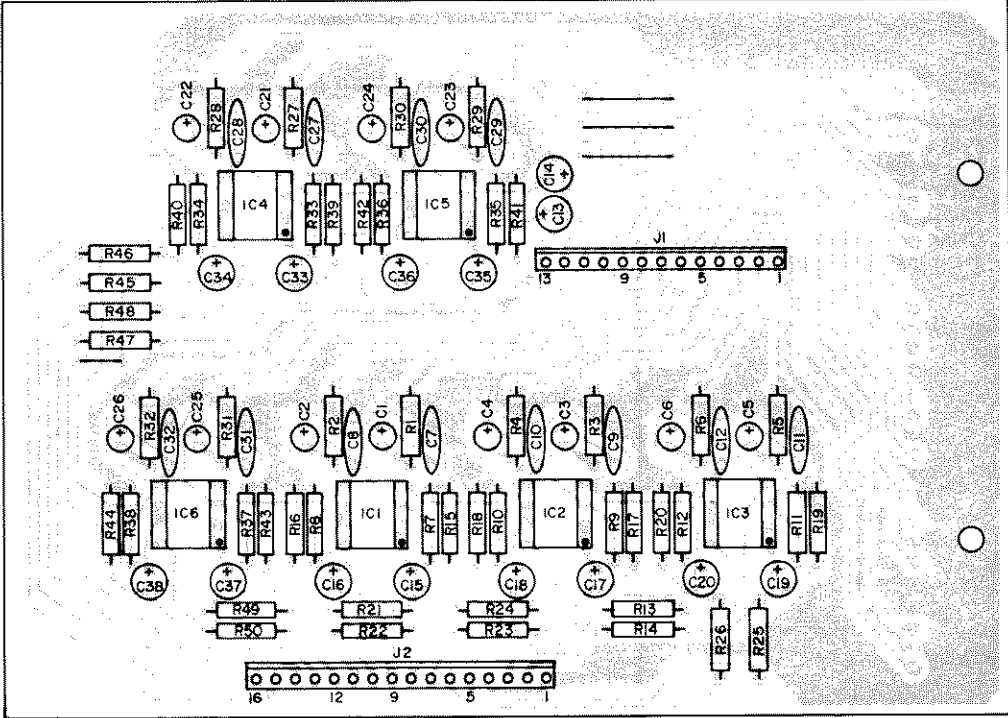
2

Input Buffer

PC BOARD 047296
INPUT BUFFER



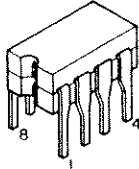




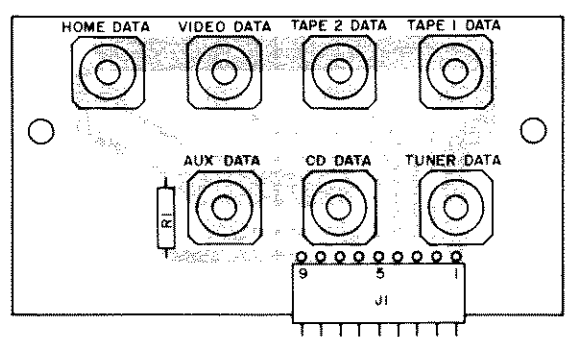
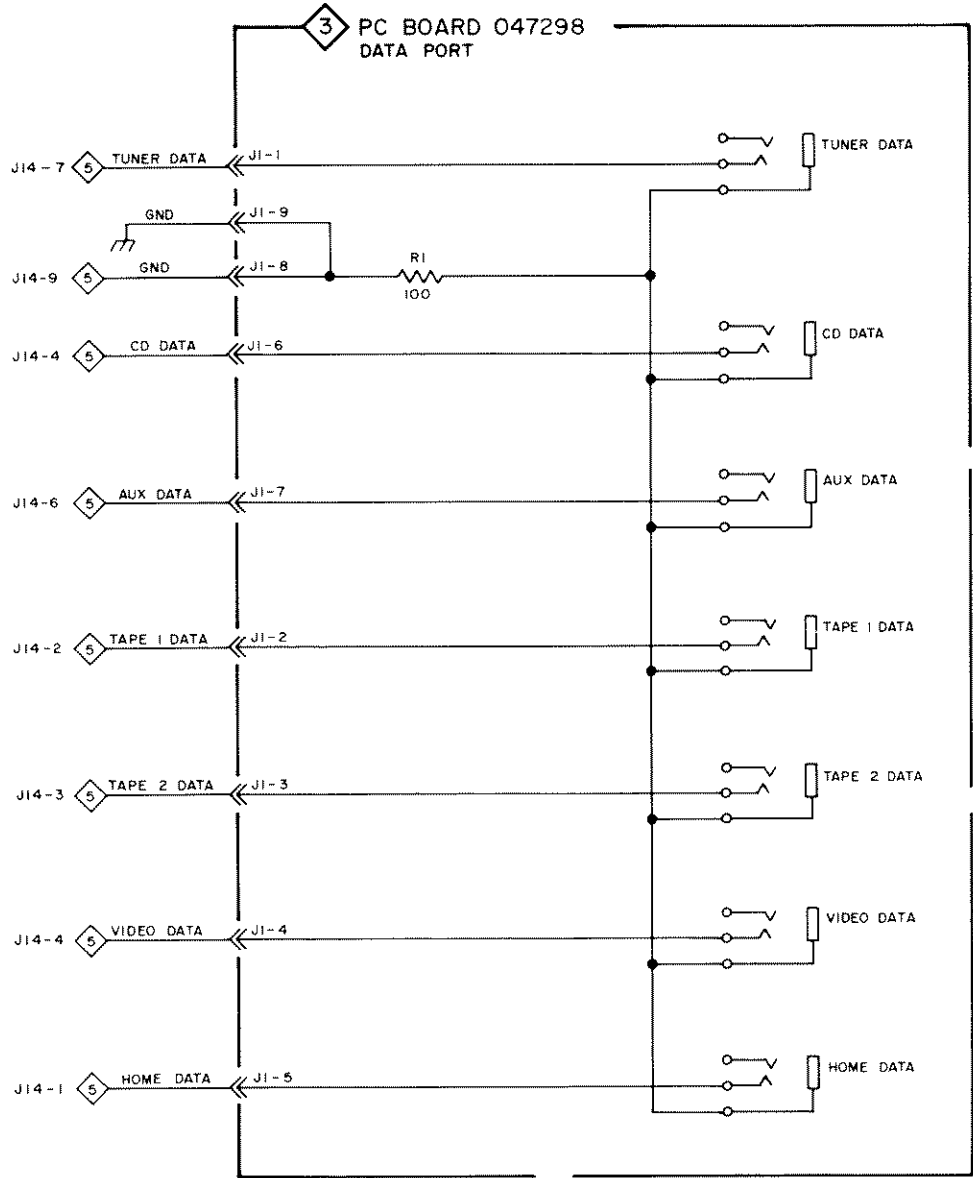
INPUT BUFFER PCB 047296

**INPUT BUFFER
PARTS LIST**

Symbol	Part	Description
INTEGRATED CIRCUITS		
IC1-IC6	133189	Dual Operational Amp, MC33178P



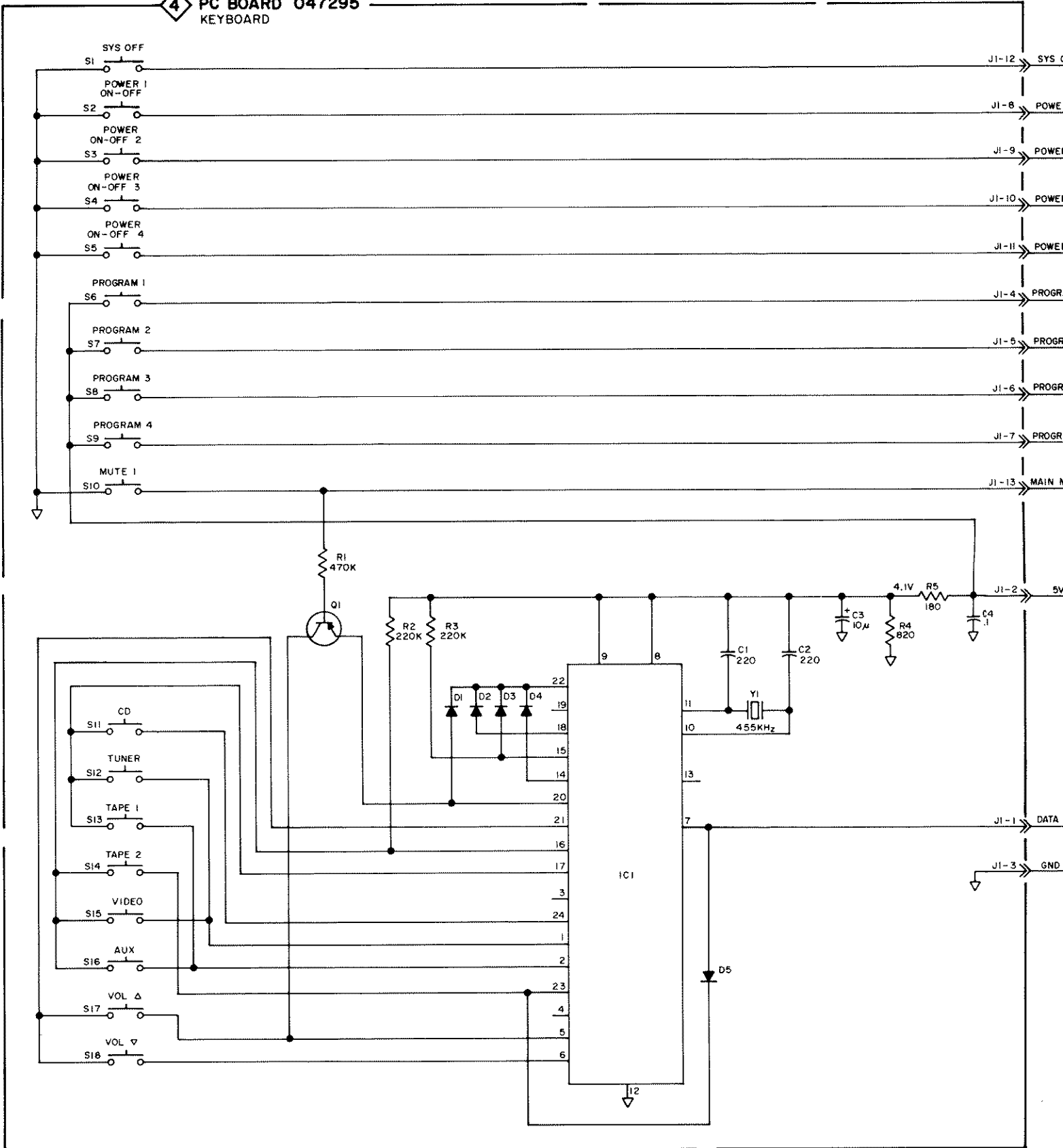
IC1-IC6

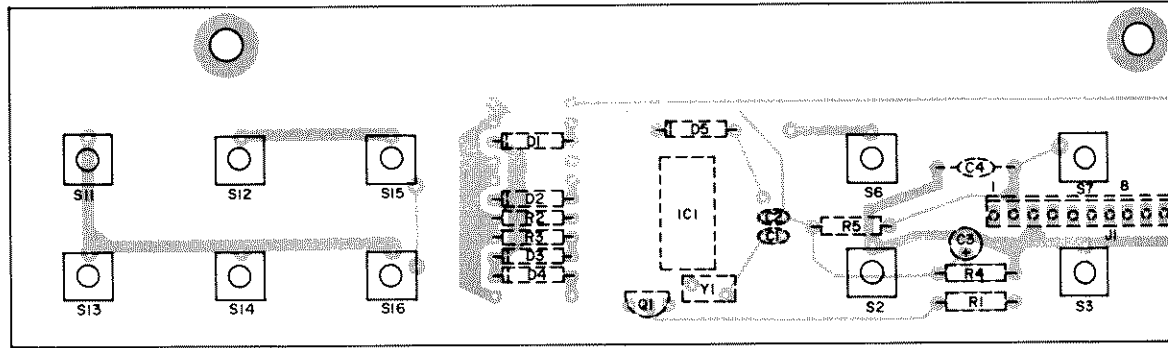
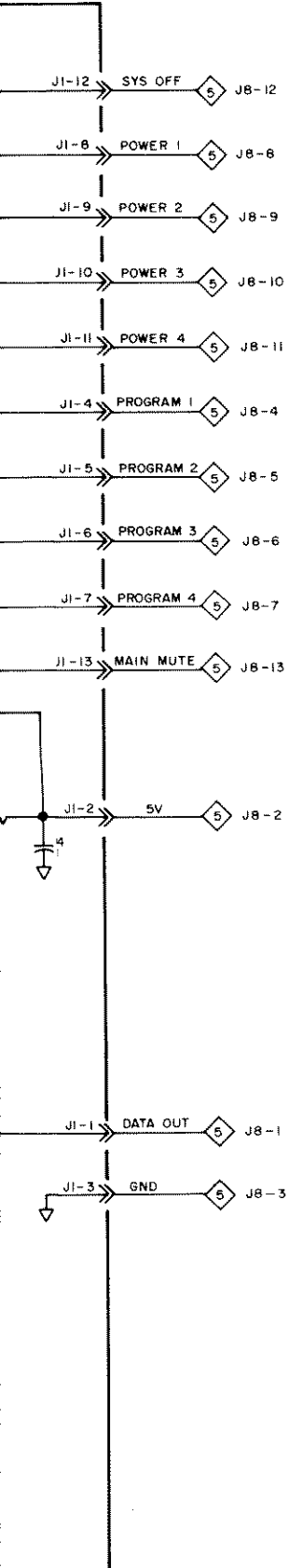


DATA PORT PCB 047298

Keyboard 4

4 PC BOARD 047295 KEYBOARD

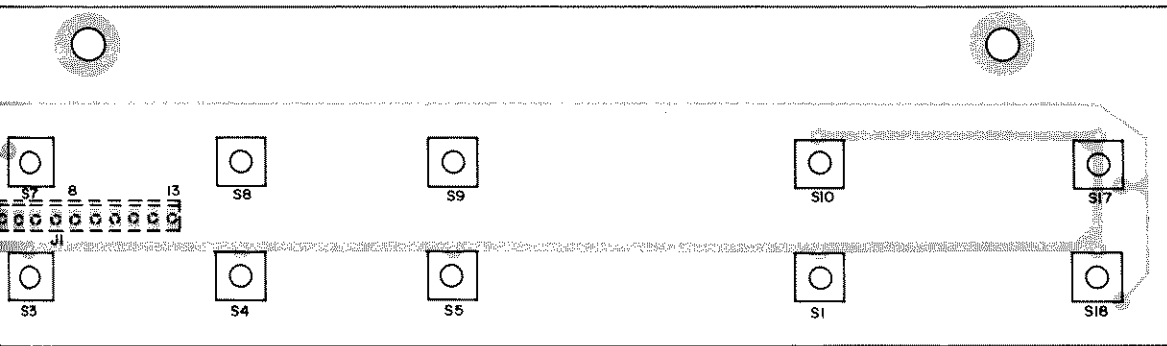




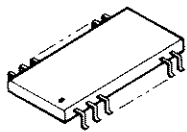
KEYBOARD PCB C

KEYBOARD PARTS LIST

Symbol	Part	Description
DIODES		
D1-D5	070047	SIG, 75V, 150mA, 1N4148
INTEGRATED CIRCUITS		
IC1	133188	Transmitter, uPD61226-001
TRANSISTORS		
Q1	132224	PNP, MPS4126
MISC		
Y1	180031	Ceramic Resonator, 455kHz, ±5%



RD PCB 047295



IC1



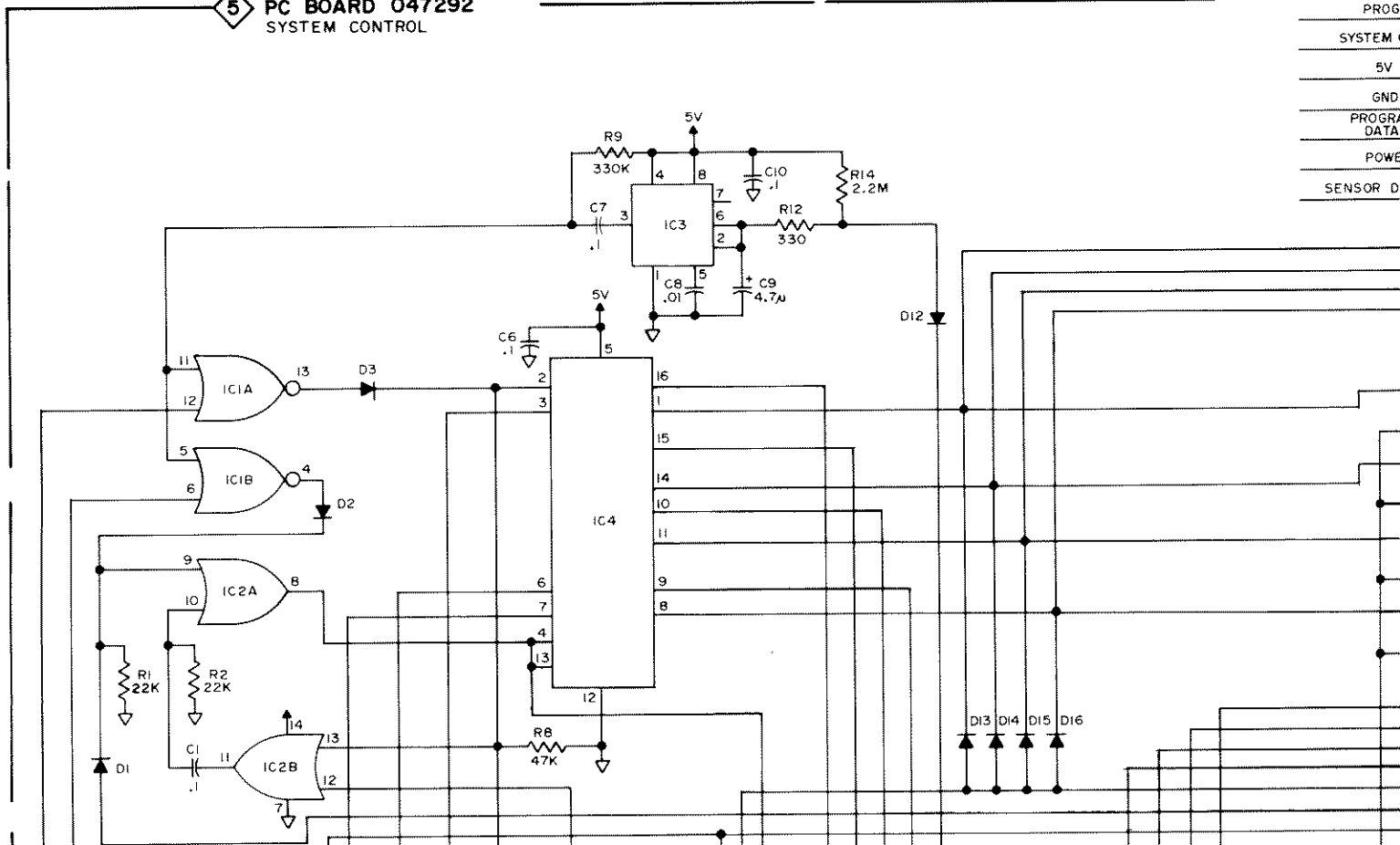
Q1

5

System Control

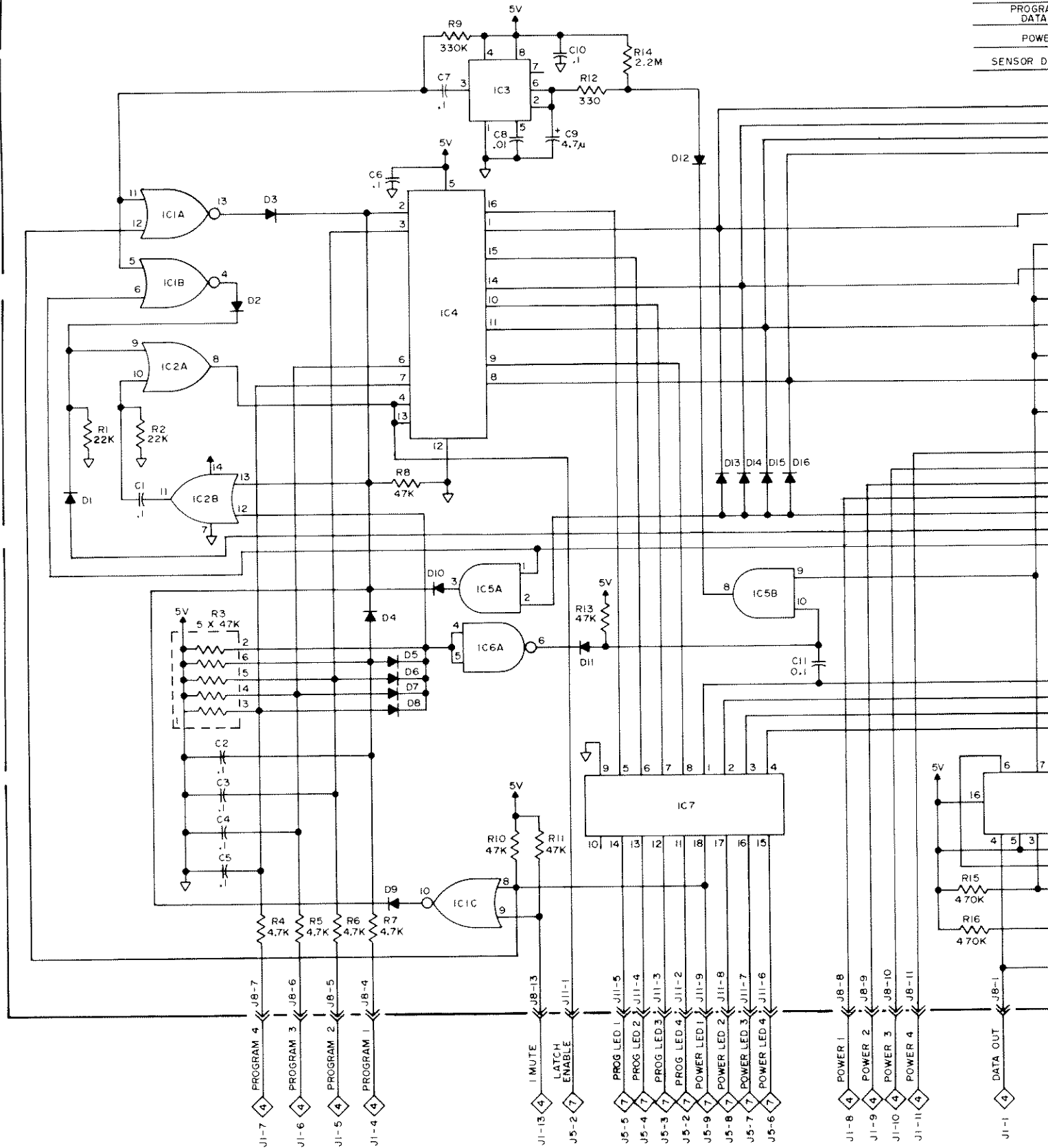
J2-1	2	A GND	J2-1	15V SENS
J2-2	2	A -15V	J2-2	A -15V
J2-3	2	A 15V	J2-3	A 15V
J2-4	2	A GND	J2-4	A GND
J2-5	2	L AUX OUT	J2-5	L AUX I
J2-6	2	R AUX OUT	J2-6	R AUX I
J2-7	2	L VIDEO OUT	J2-7	L VIDEO
J2-8	2	R VIDEO OUT	J2-8	R VIDEO
J2-9	2	L TAPE 2 OUT	J2-9	L TAPE
J2-10	2	R TAPE 2 OUT	J2-10	R TAPE
J2-11	2	L TAPE 1 OUT	J2-11	L TAPE
J2-12	2	R TAPE 1 OUT	J2-12	R TAPE
J2-13	2	L TUNER OUT	J2-13	L TUNER
J2-14	2	R TUNER OUT	J2-14	R TUNER
J2-15	2	L CD OUT	J2-15	L CD IN
J2-16	2	R CD OUT	J2-16	R CD IN
				POWER ON/OFF

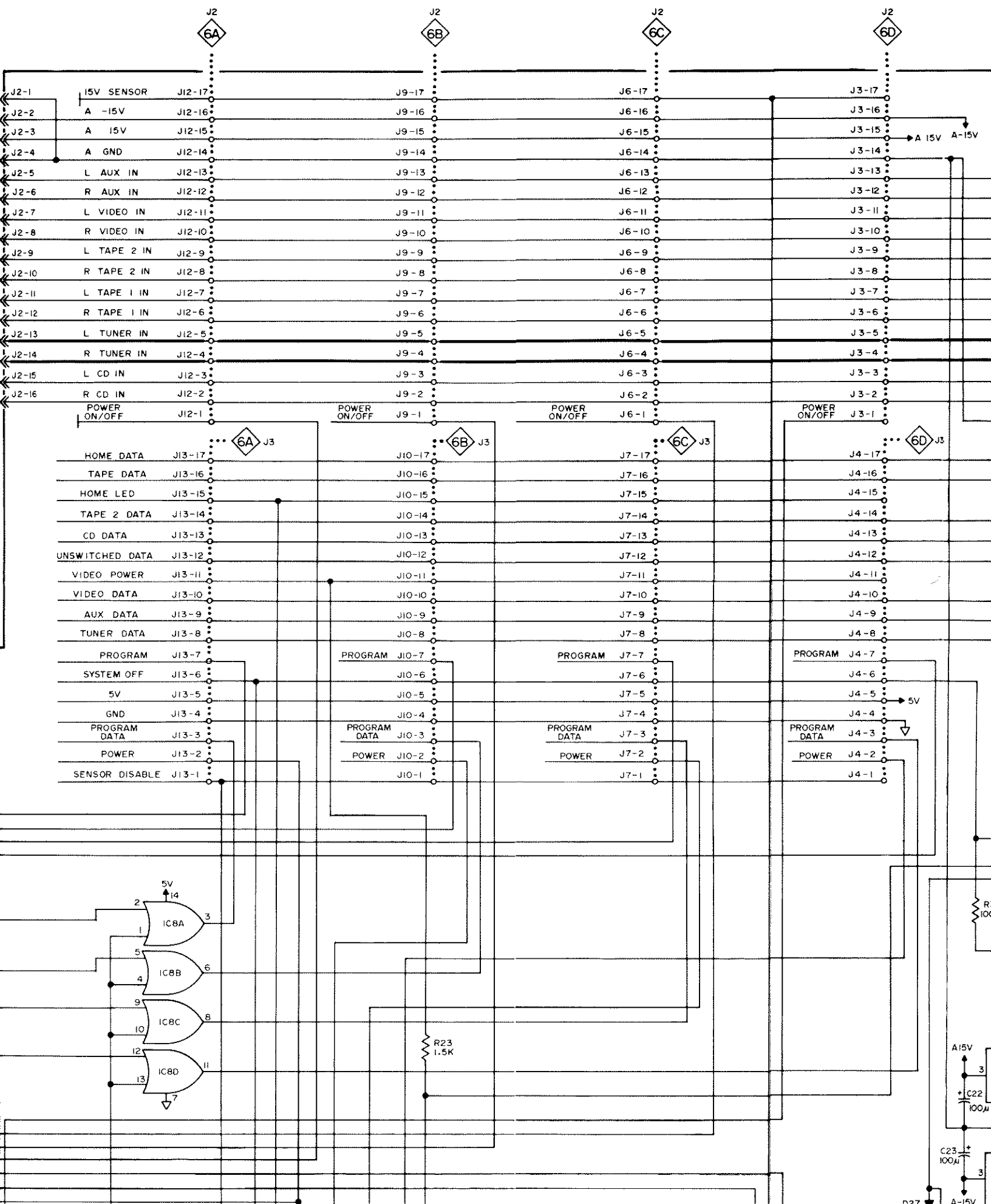
PC BOARD 047292 SYSTEM CONTROL

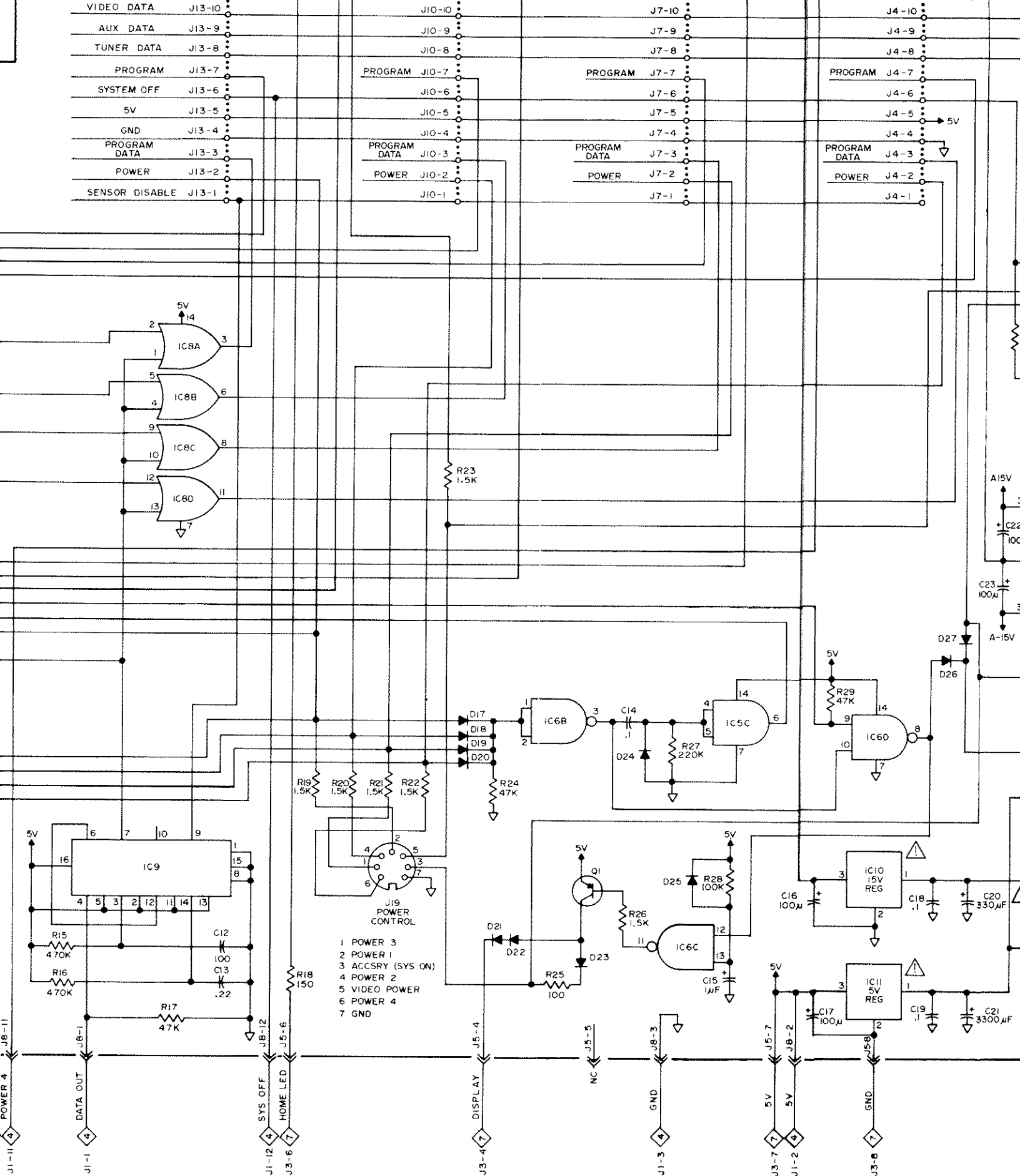


5 PC BOARD 047292
SYSTEM CONTROL

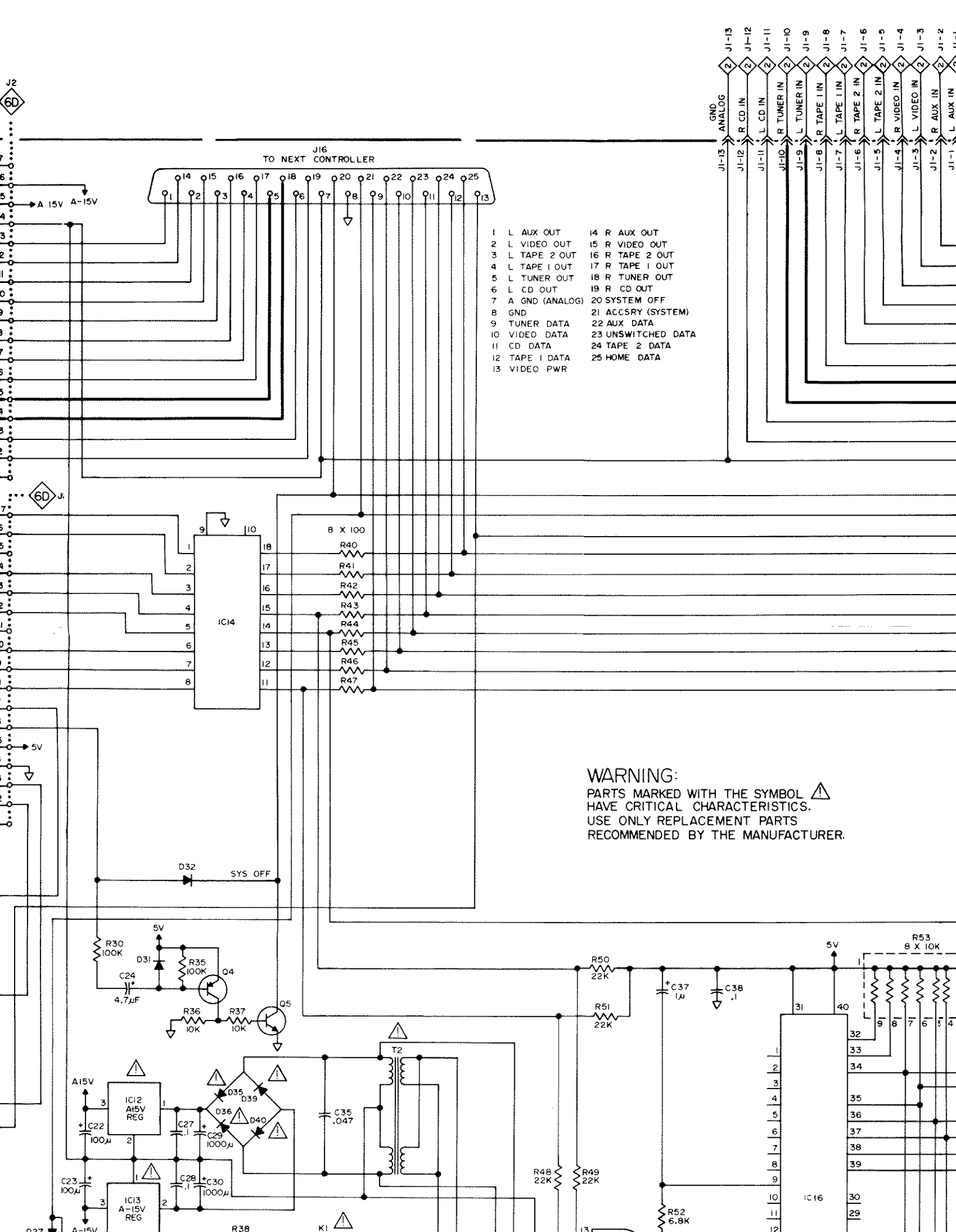
VIDEO DATA
AUX DATA
TUNER DATA
PROGRAM DATA
SYSTEM DATA
5V
GND
PROGRAM DATA
POWER DATA
SENSOR DATA







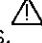
- J9
POWER CONTROL
- 1 POWER 3
 - 2 POWER 1
 - 3 ACCSRY (SYS ON)
 - 4 POWER 2
 - 5 VIDEO POWER
 - 6 POWER 4
 - 7 GND

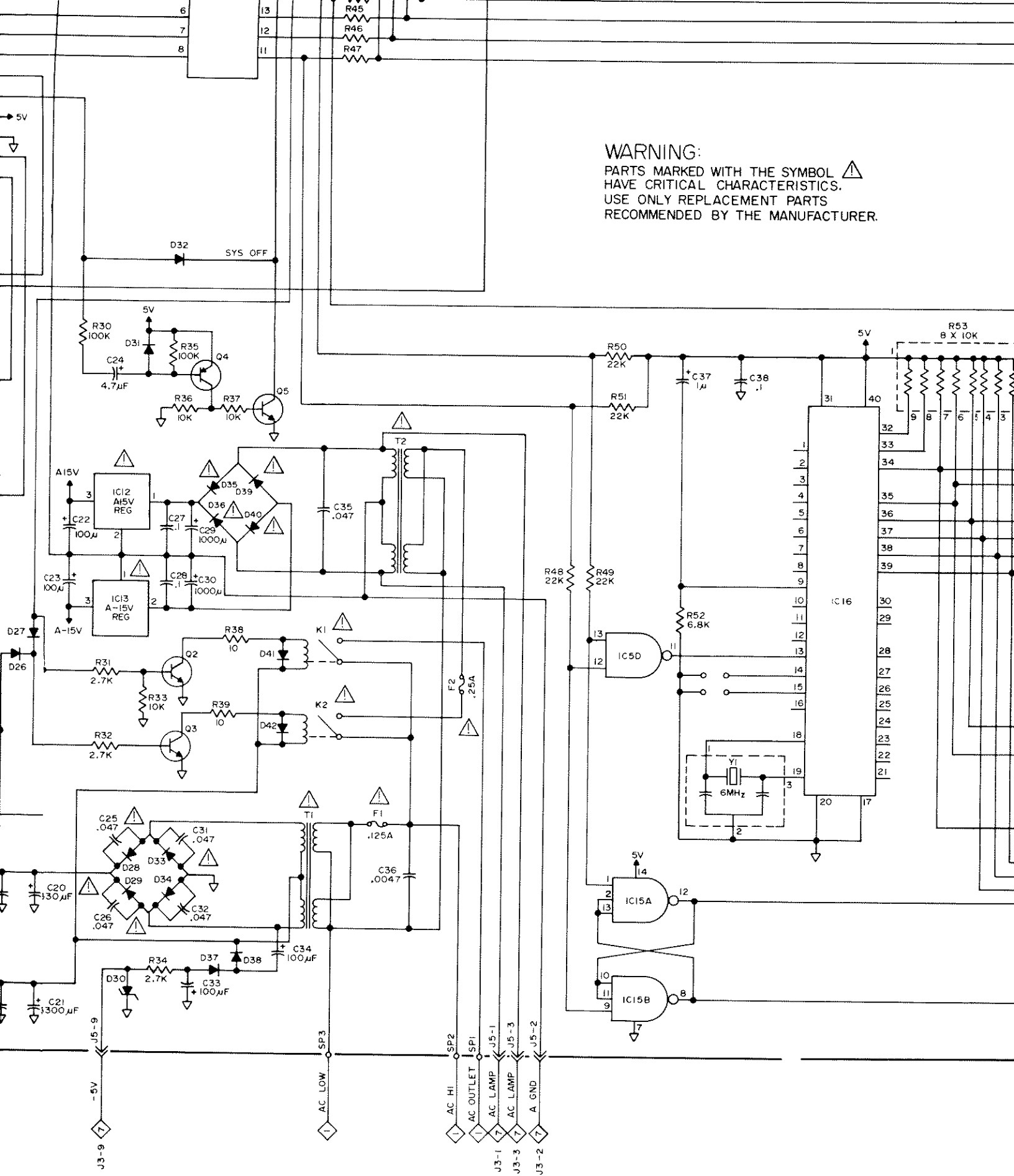


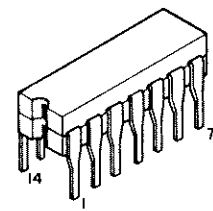
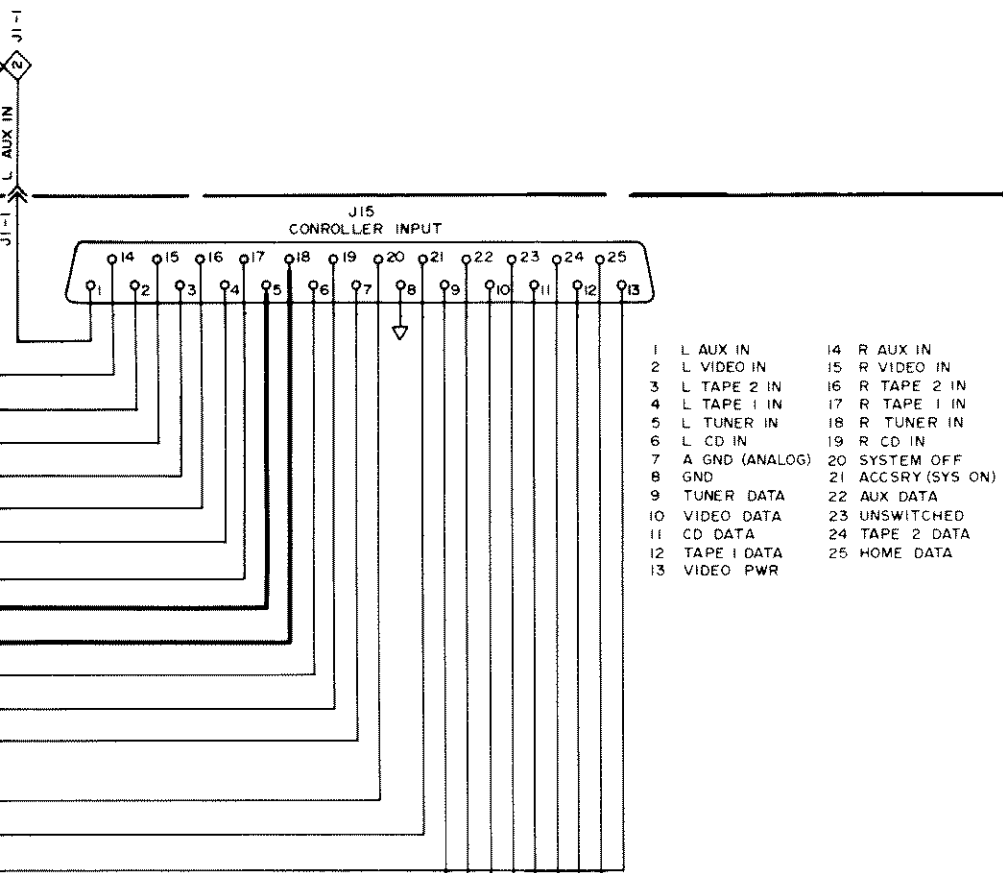
J16
TO NEXT CONTROLLER

- | | |
|------------------|--------------------|
| 1 L AUX OUT | 14 R AUX OUT |
| 2 L VIDEO OUT | 15 R VIDEO OUT |
| 3 L TAPE 2 OUT | 16 R TAPE 2 OUT |
| 4 L TAPE 1 OUT | 17 R TAPE 1 OUT |
| 5 L TUNER OUT | 18 R TUNER OUT |
| 6 L CD OUT | 19 R CD OUT |
| 7 A GND (ANALOG) | 20 SYSTEM OFF |
| 8 GND | 21 ACCSRV (SYSTEM) |
| 9 TUNER DATA | 22 AUX DATA |
| 10 VIDEO DATA | 23 UNSWITCHED DATA |
| 11 CD DATA | 24 TAPE 2 DATA |
| 12 TAPE 1 DATA | 25 HOME DATA |
| 13 VIDEO PWR | |

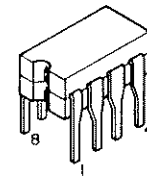
WARNING:
PARTS MARKED WITH THE SYMBOL Δ
HAVE CRITICAL CHARACTERISTICS.
USE ONLY REPLACEMENT PARTS
RECOMMENDED BY THE MANUFACTURER.

WARNING:
 PARTS MARKED WITH THE SYMBOL 
 HAVE CRITICAL CHARACTERISTICS.
 USE ONLY REPLACEMENT PARTS
 RECOMMENDED BY THE MANUFACTURER.

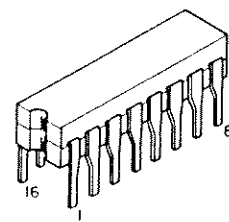




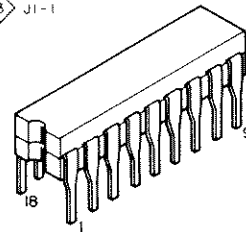
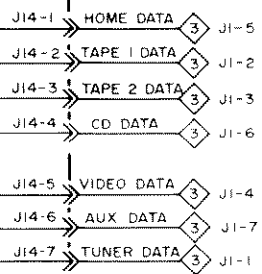
IC1, IC2, IC5, IC6 & IC15



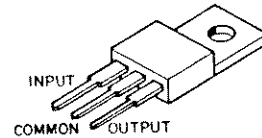
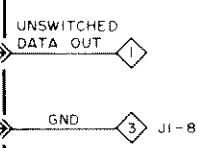
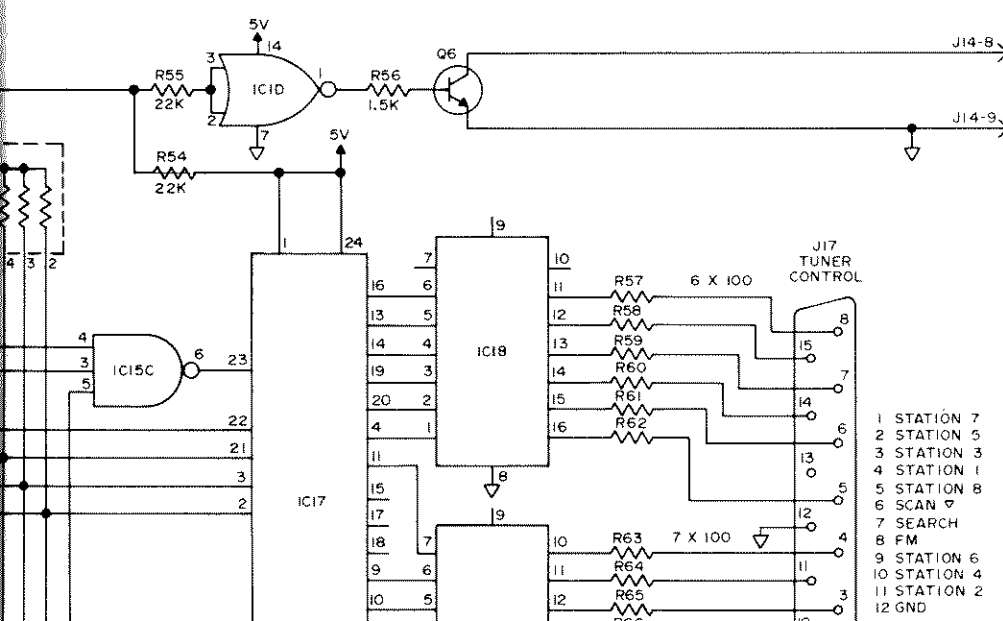
IC3



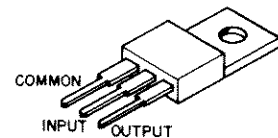
IC4, IC8, IC9, IC18 & IC19



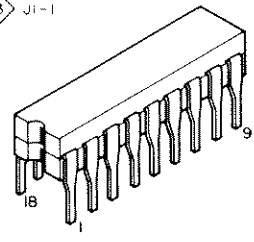
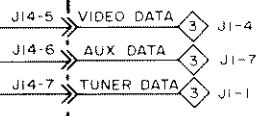
IC7, IC14, IC20



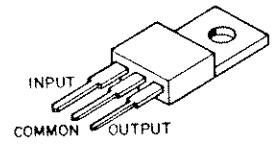
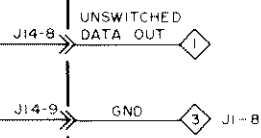
IC10, IC11, IC12



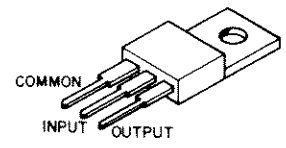
IC10, IC11, IC12



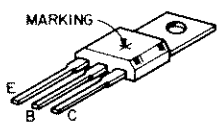
IC7, IC14, IC20



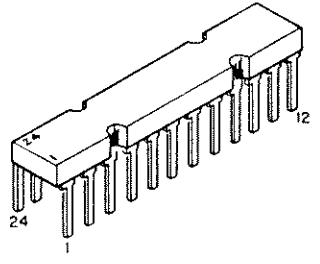
IC10, IC11, IC12



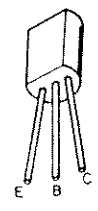
IC13



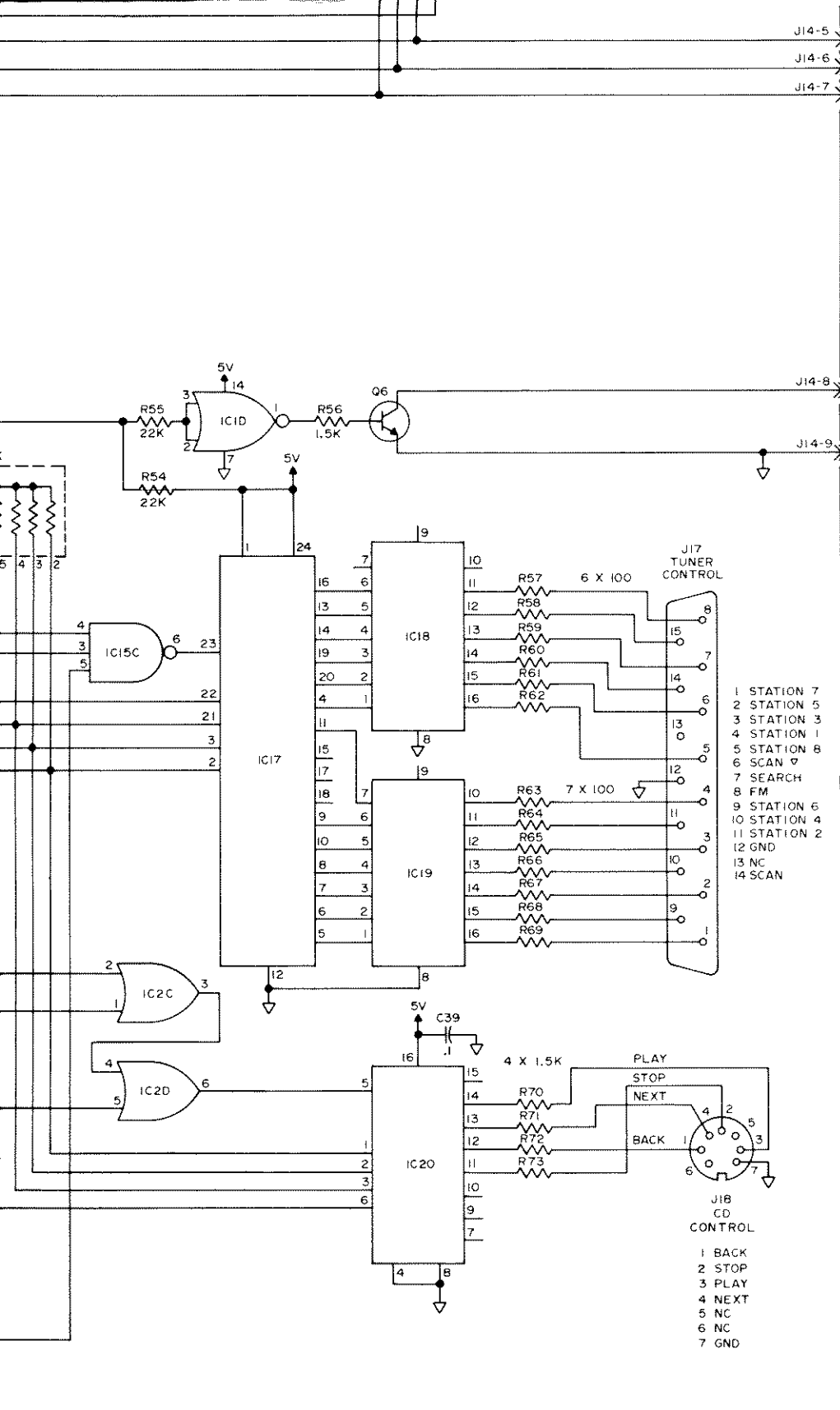
IC16



IC17



Q1-Q6

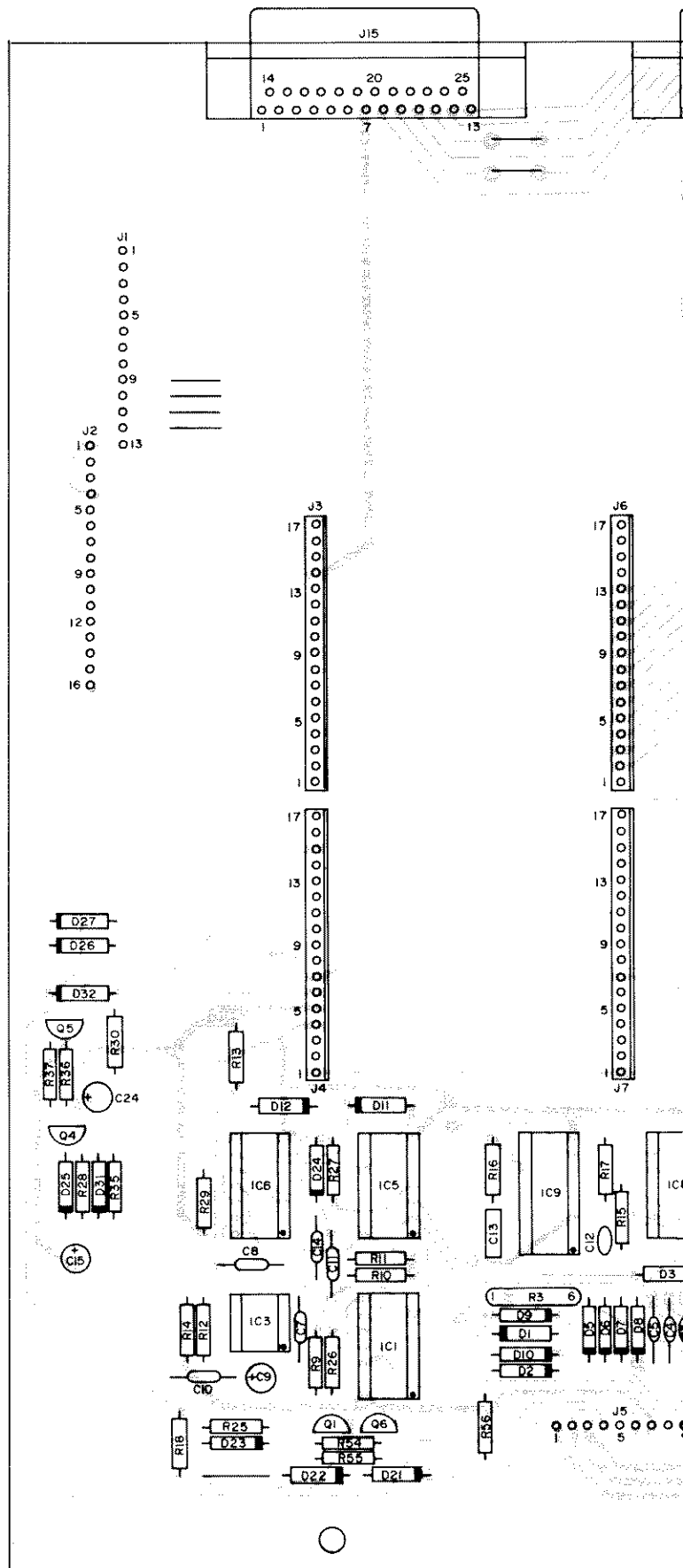


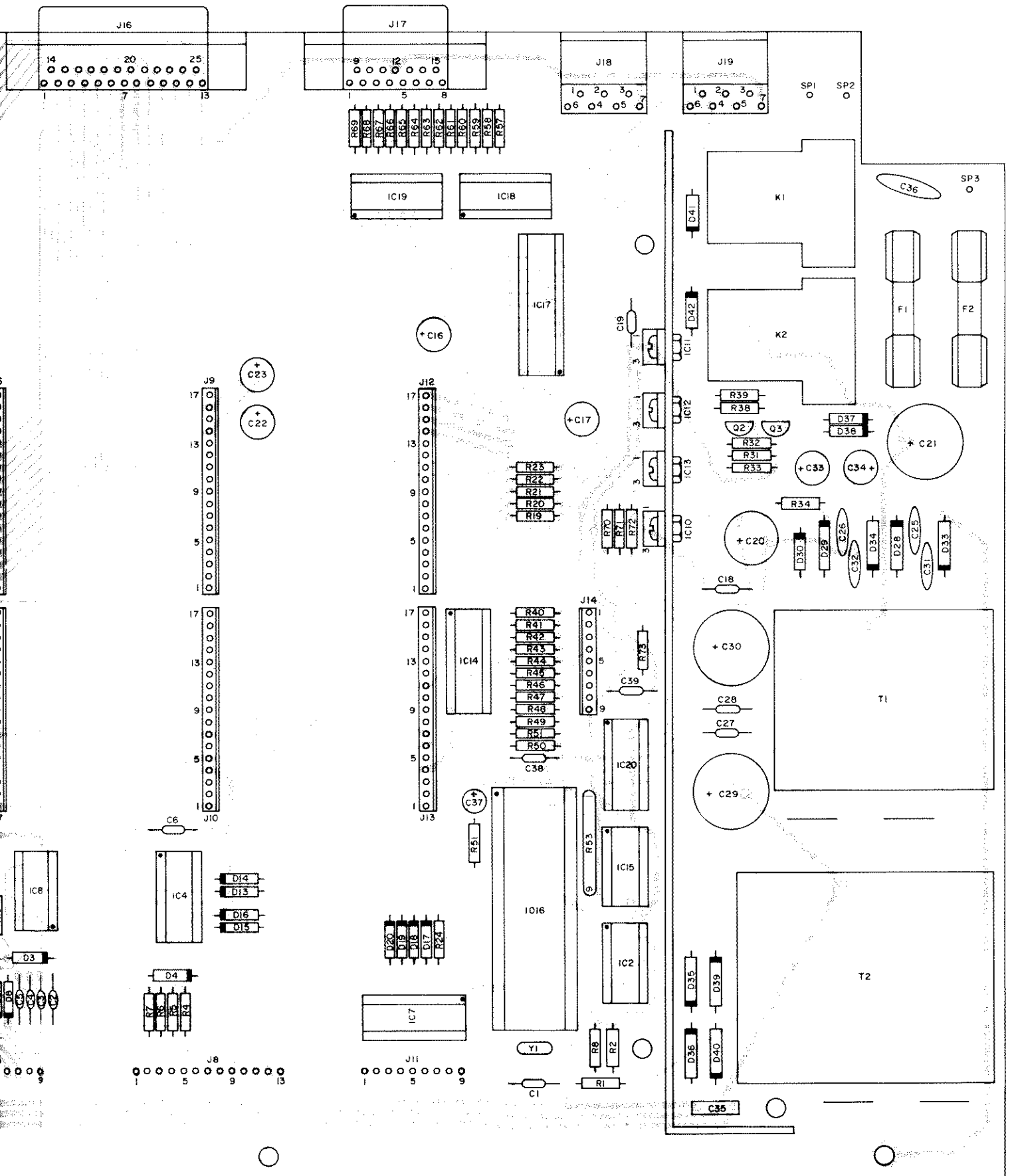
System Control

5

SYSTEM CONTROL PARTS LIST

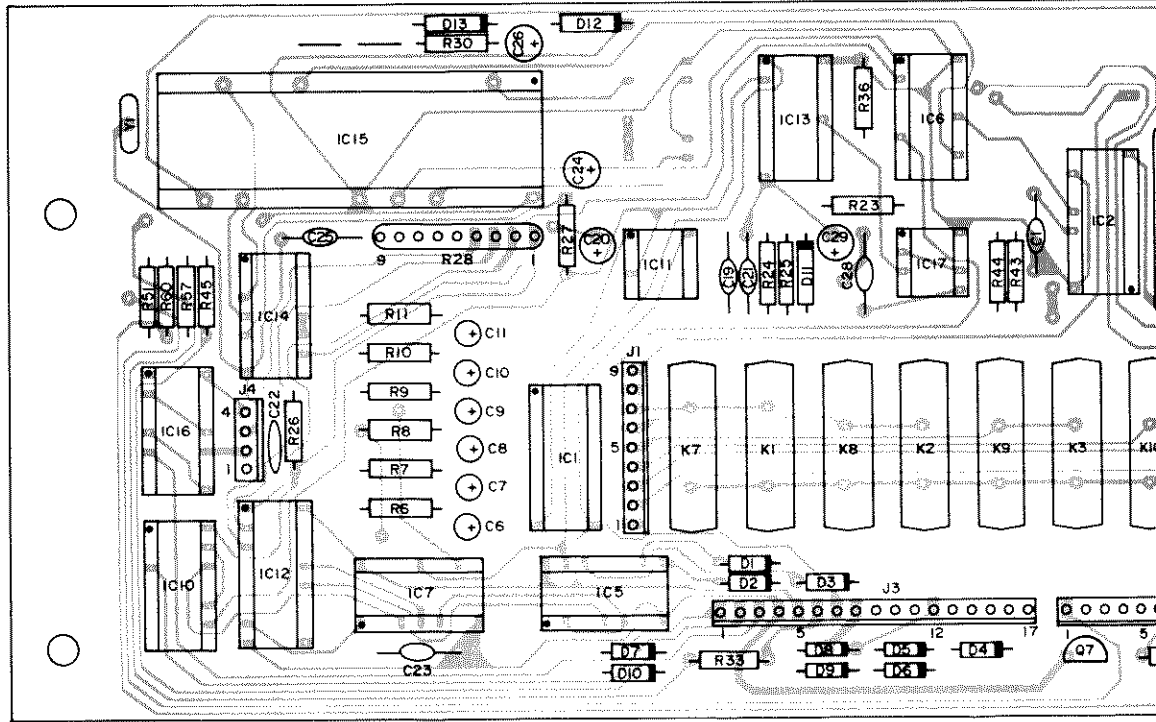
Symbol	Part	Description
DIODES		
D1-D20	070047	SIG, 75V, 150mA, 1N4148
D21,D22	070131	RECT, 400V, 1A, 1N4004
D23	070132	ZN, 5V, 5% 500mW, 1N5231B
D24-D27	070047	SIG, 75V, 150mA, 1N4148
D28,D29	070131	RECT, 400V, 1A, 1N4004
D30	070132	ZN, 5V, 5%, 500mW, 1N5231B
D31,D32	070047	SIG, 75V, 150mA, 1N4148
D33-D36	070131	RECT, 400V, 1A, 1N4004
D37,D38	070098	SIG, 175V, 500mW, FDH400
D39,D40	070131	RECT, 400V, 1A, 1N4004
FUSES		
F1	089044	Fuse, SB, .125A, 250V
F2	089048	Fuse, SB, .25A, 250V
RELAYS		
K1,K2	087054	SPST, 12VDC, JT1AE-DC12V
INTEGRATED CIRCUITS		
IC1	133176	CMOS, Quad 2-input NOR Gate MC74HC02AN
IC2	133167	CMOS, Quad 2-input OR Gate MC74HC32AN
IC3	133141	TIMER, NE555N
IC4	133183	CMOS, Dual 2-Bit Latch, MC74HC75N
IC5	133175	CMOS, Quad 2-input AND Gate, MC74HC08AN
IC6	133161	CMOS, Quad, 2-input NAND Gate, 74HC00N
IC7	133180	8 LINE DRIVER, LB1720
IC8	133183	CMOS, Dual 2-Bit Latch, MC74HC75N
IC9	133182	CMOS, Dual Monostable Multivibrator, MC74HC4538N
IC10	133086	+ 15V Regulator, MC7815CT
IC11		
IC12	133086	+ 15V Regulator, MC7815CT
IC13	133087	-15V Regulator, MC7915CT
IC14	133180	8 LINE DRIVER, LB1720
IC15	133179	CMOS, Triple 3-input NAND Gate, MC74HC10N
IC16	133177	Microcontroller, SC80C51BCCN40
IC17	133184	CMOS, 1 of 16 Decoder/Latch MC74HC4514N
IC18,IC19	133181	7 LINE DRIVER, MC1413P
IC20	133170	CMOS, 1 of 8 Decoder/Latch, MC74HC237N
TRANSISTORS		
Q1	132224	PNP, MPS4126
Q2,Q3	132223	NPN, MPS4124
Q4	132224	NPN, MPS4126
Q5,Q6	132223	NPN, MPS4124
TRANSFORMERS		
T1	159221	POWER TRANSFORMERS
T2	159220	POWER TRANSFORMERS
MISC		
Y1	180039	Ceramic Resonator, 6MHz





6

Area Control



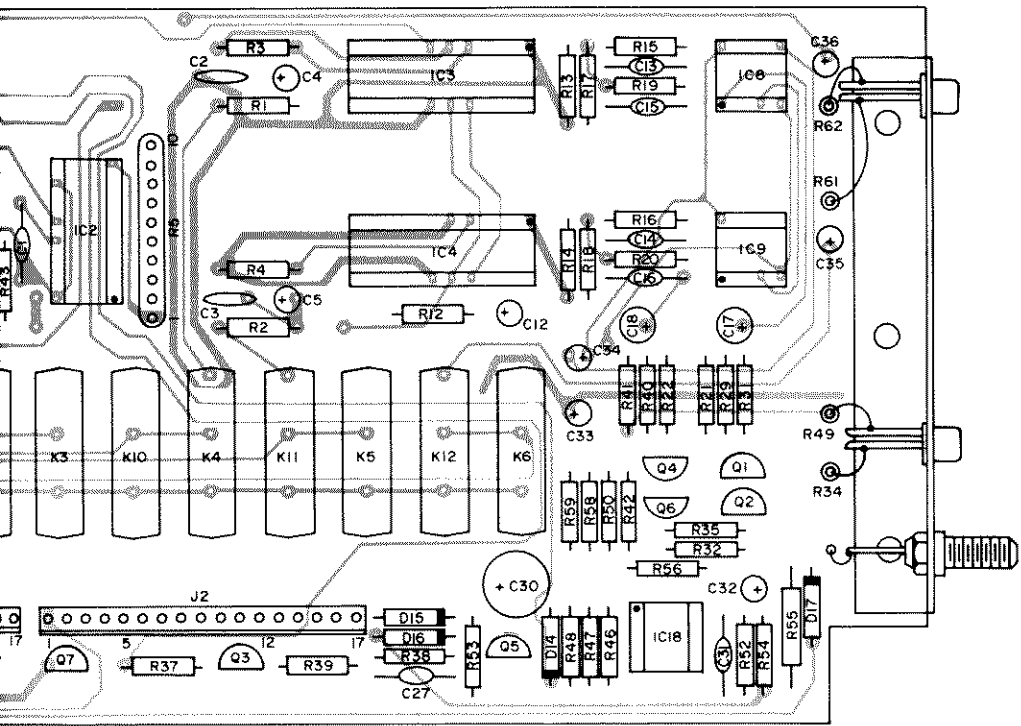
AREA CONTROL PCB 04

AREA CONTROL PARTS LIST

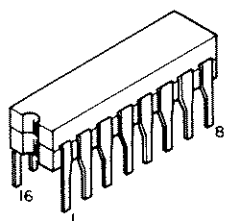
Symbol	Part	Description
DIODES		
D1-D17	070074	SIG, 75V 10mA, 1N4148
INTEGRATED CIRCUITS		
IC1	133181	7 LINE DRIVER, MC1413P
IC2	133186	CMOS, 8-Bit Shift Register, MC74HC595AN
IC3,IC4	133187	Attenuator, MP7529BJN
IC5	133185	CMOS, Triple 3-input AND Gate, MC74HC11N
IC6	133193	CMOS, Hex Inverter, MC74HC04AN
IC7	133185	CMOS, Triple 3-input AND Gate, MC74HC11N
IC8,IC9	133094	Dual OP-Amp, NE5532N
IC10	133175	CMOS, Quad 2-input AND Gate, MC74HC08AN
IC11	133141	TIMER, NE555N
IC12	133170	CMOS, 1 of 8 Decoder/Latch, MC74HC237N
IC13	133176	CMOS, Quad 2-input NOR Gate, MC74HC02AN
IC14	133167	CMOS, Quad 2-input OR Gate, MC74HC32AN
IC15	133177	Microcontroller, SC80C51BCCN40
IC16	133161	CMOS, Quad 2-input NAND Gate, 74HC00N
IC17	133141	TIMER, NE555N
IC18	133066	OP Amp, NE5534N
TRANSISTORS		
Q1,Q2	132257	NPN, 2SC3792
Q3	132223	NPN, MPS4124
Q4	132257	NPN, 2SC2792
Q5	132172	PNP, MPSA55
Q6	132257	NPN, 2SC3792
Q7	132223	NPN, MPS4124
MISC		
Y1	180039	Ceramic Resonator, 6MHz



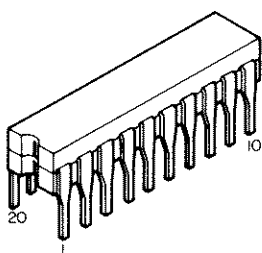
IC1 & IC2



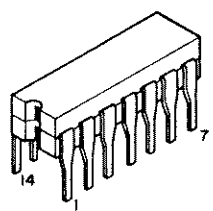
OL PCB 047294



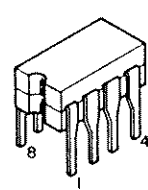
IC1 & IC2



IC3 & IC4



IC5-IC7, IC10,
IC13, IC14 & IC16



IC8, IC9, IC11,
IC17 & IC18

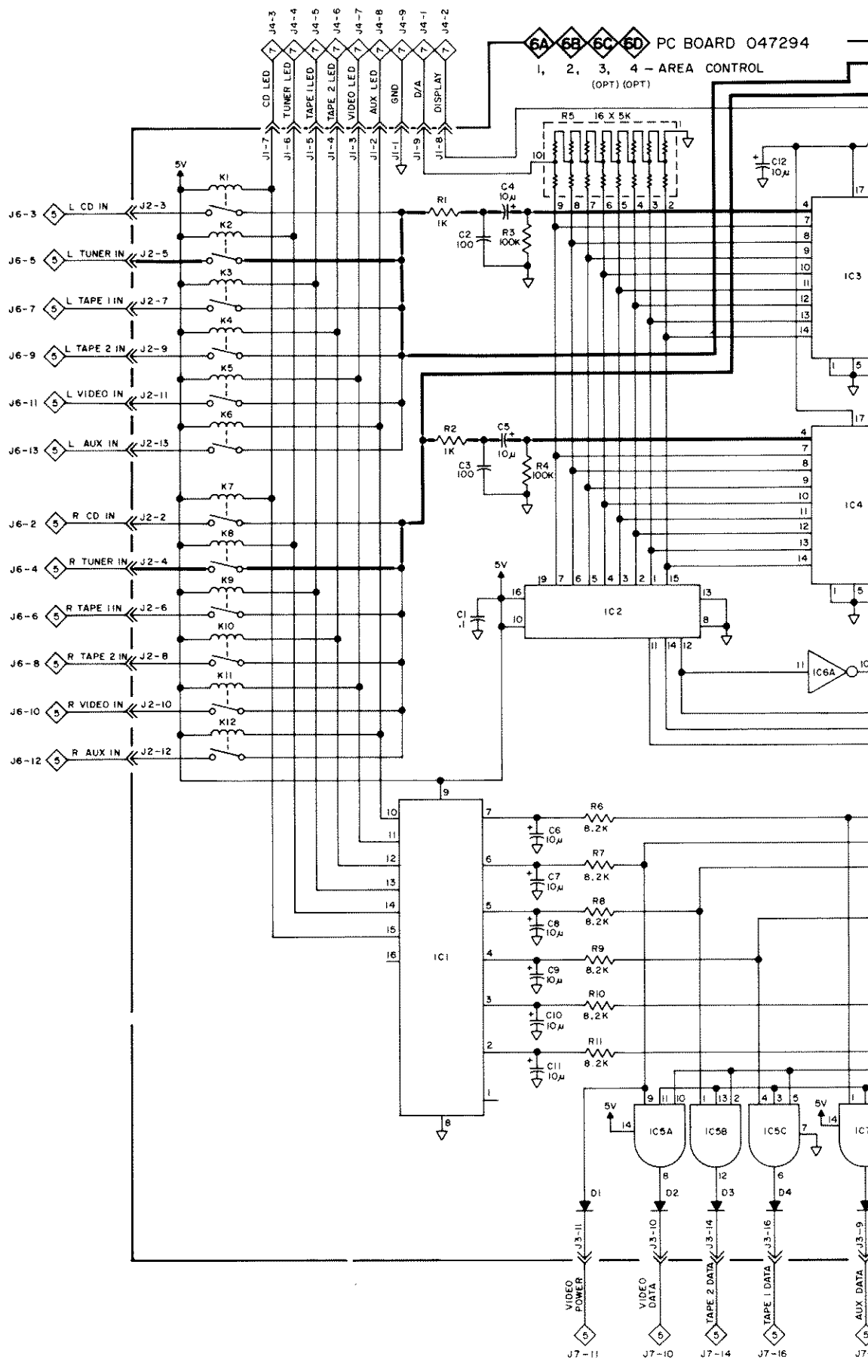


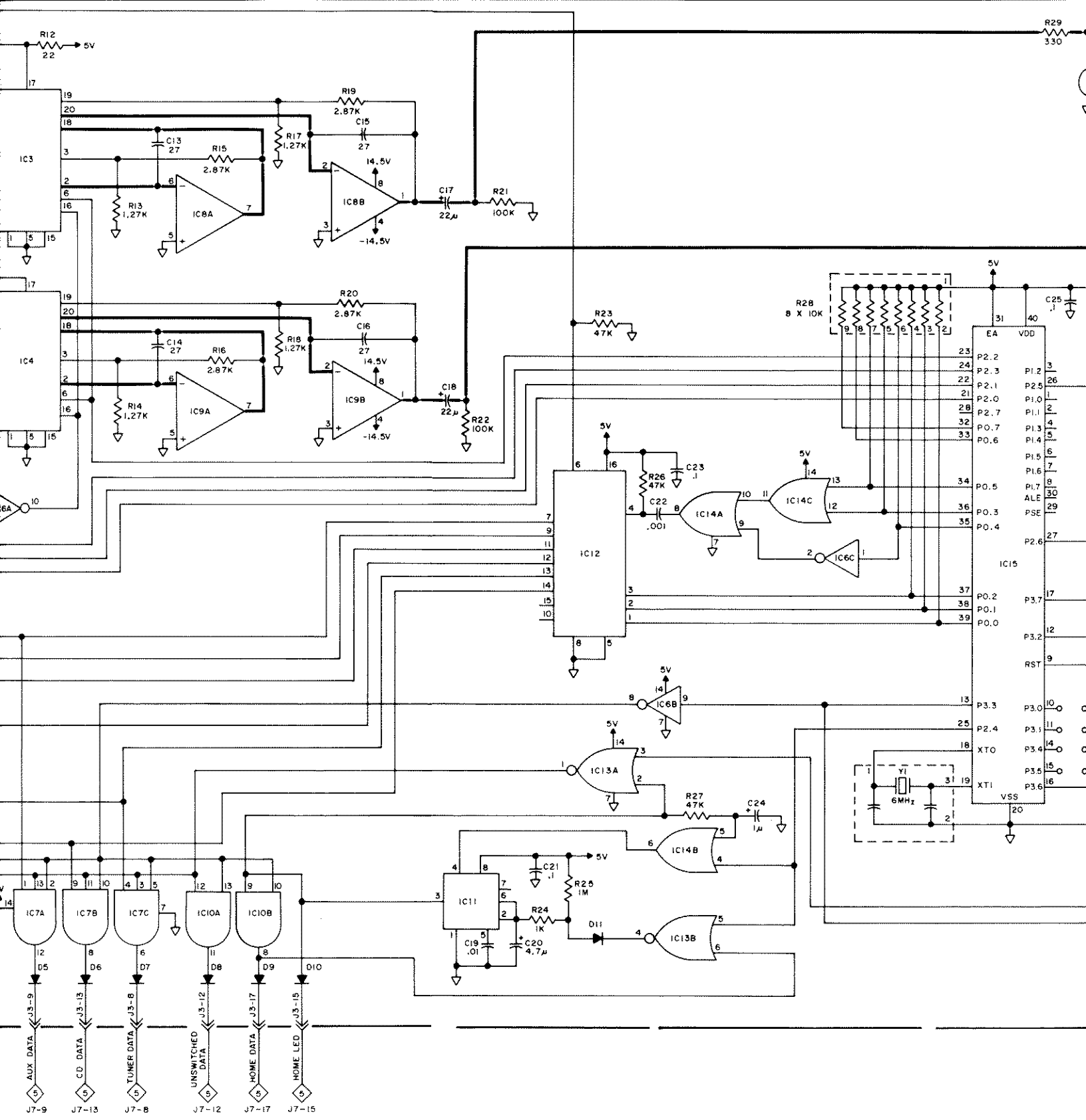
Q1, Q2, Q4 &
Q6

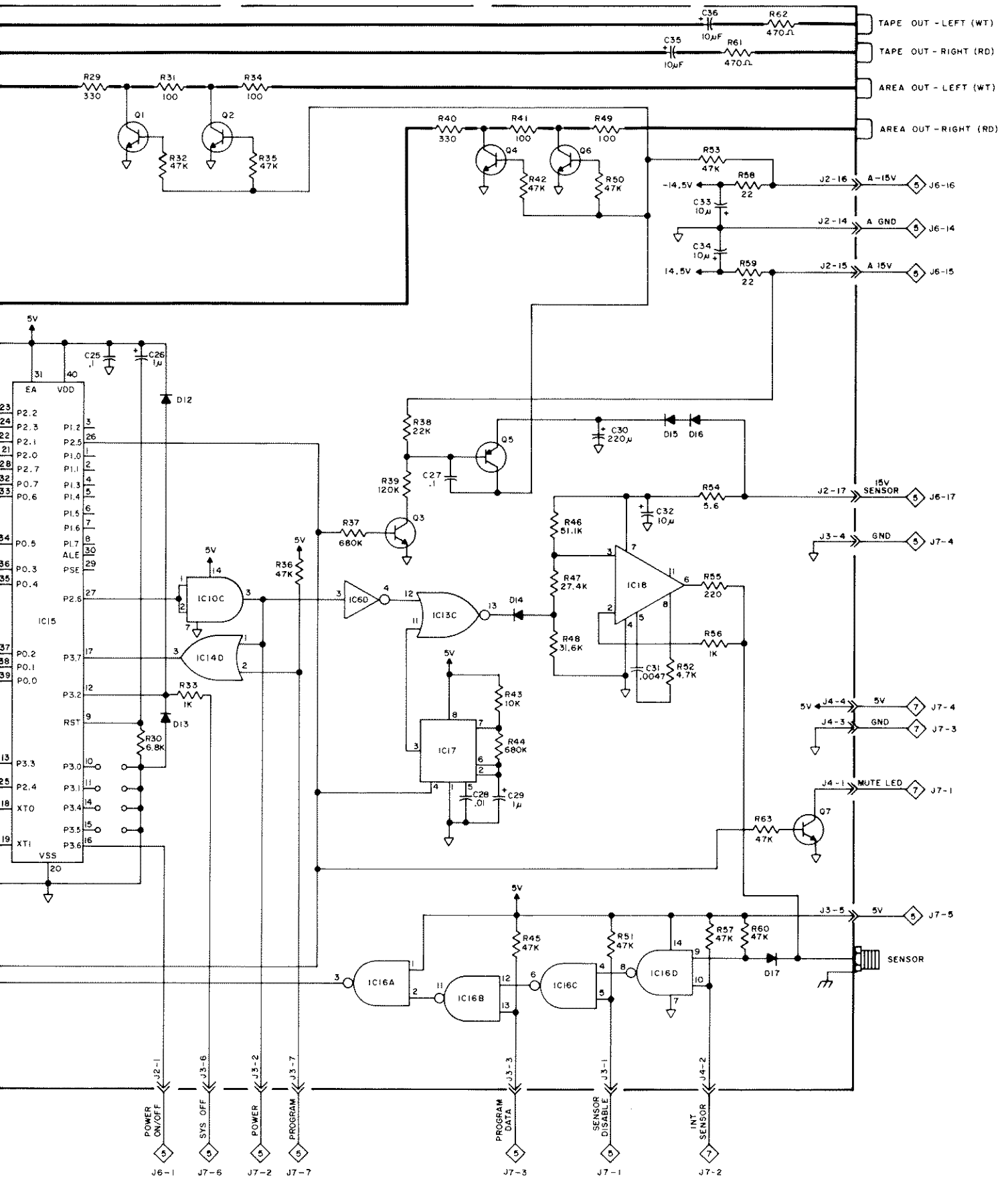


Q3, Q5 & Q7

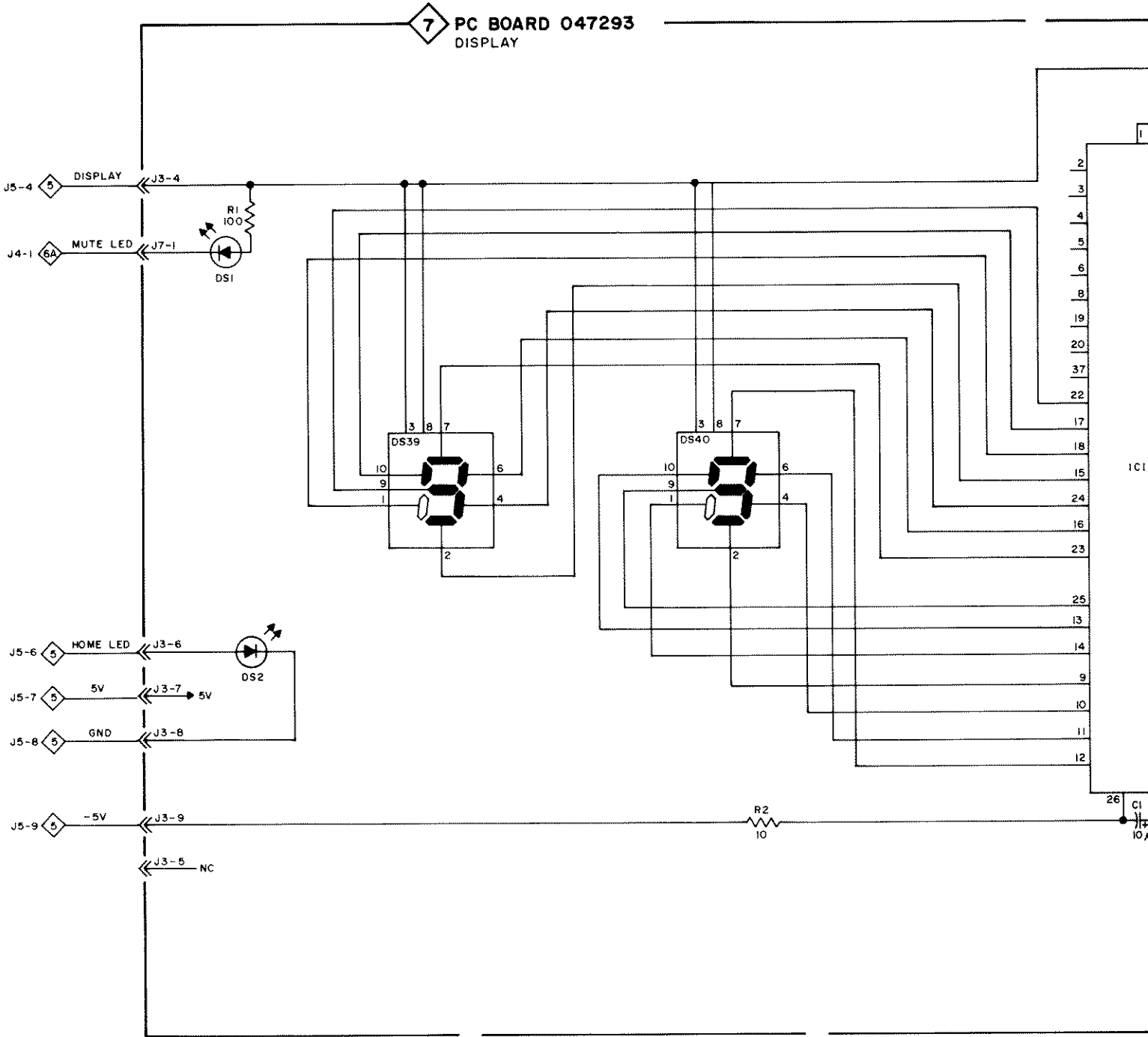
Area Control

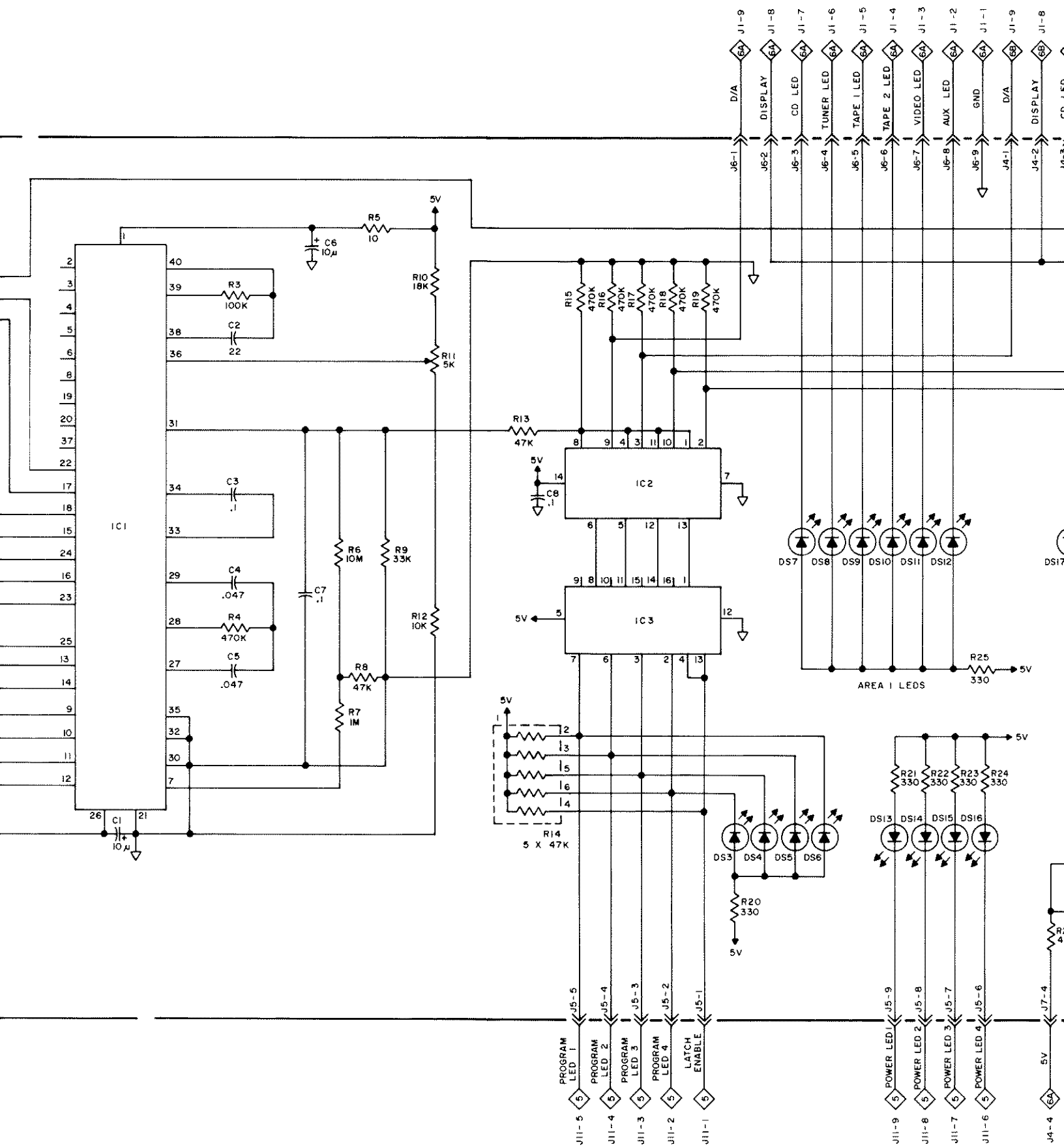


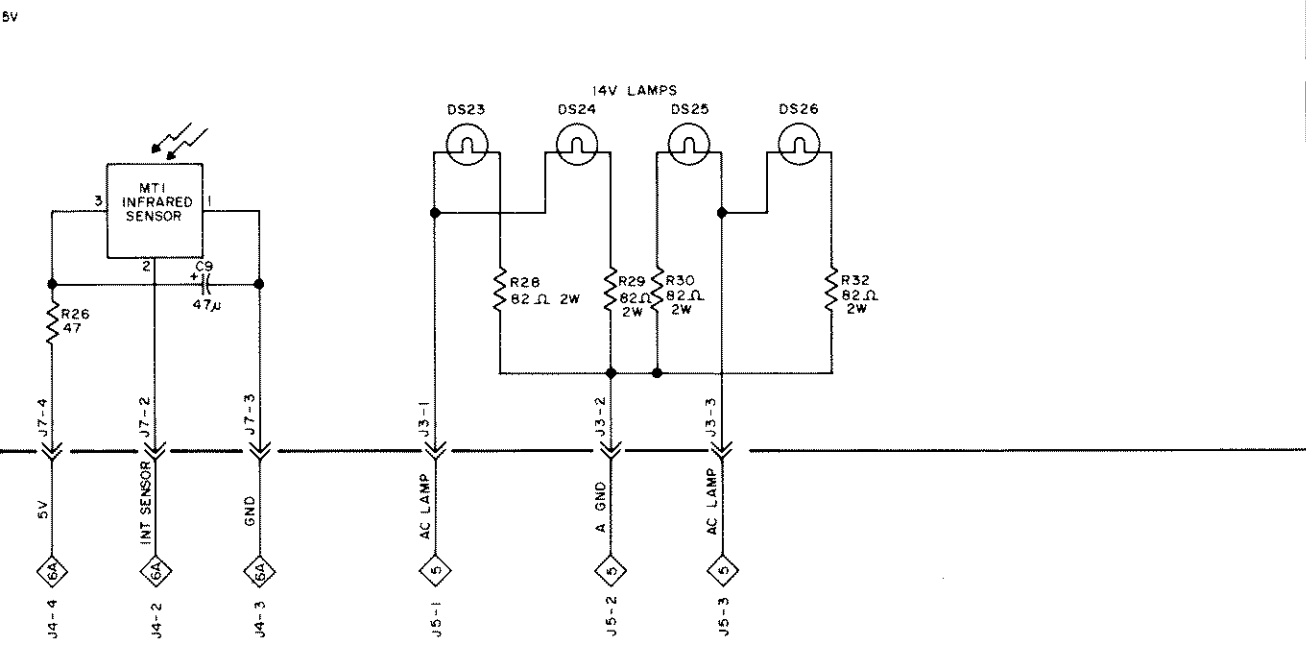
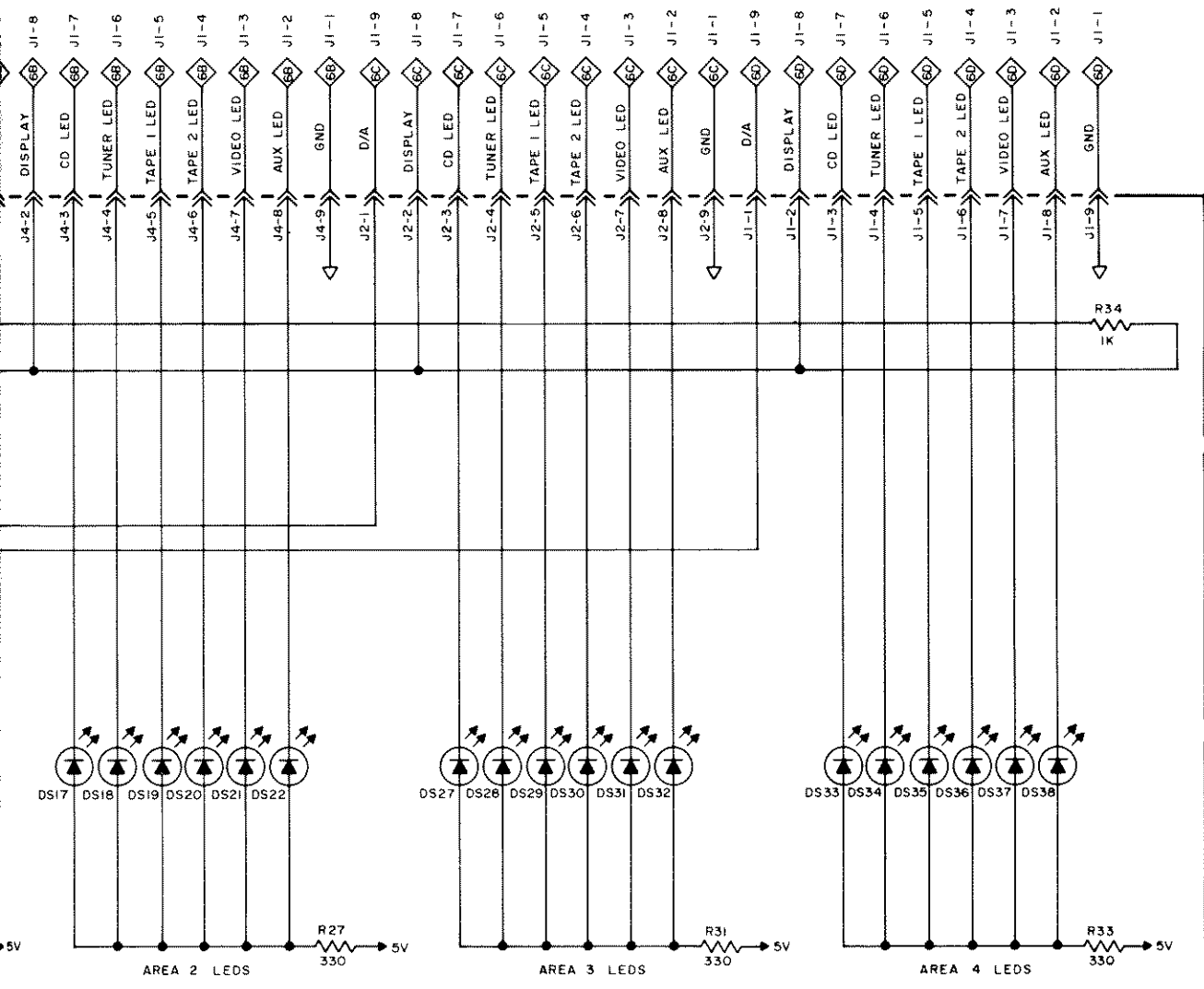


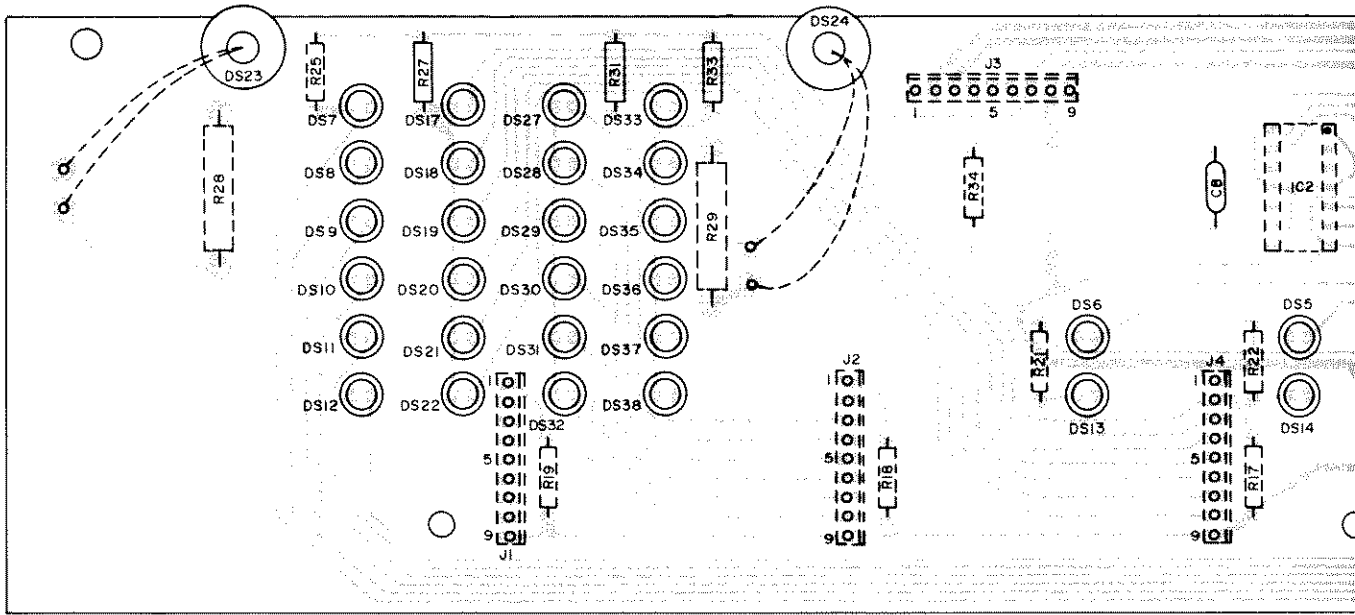


7 Display





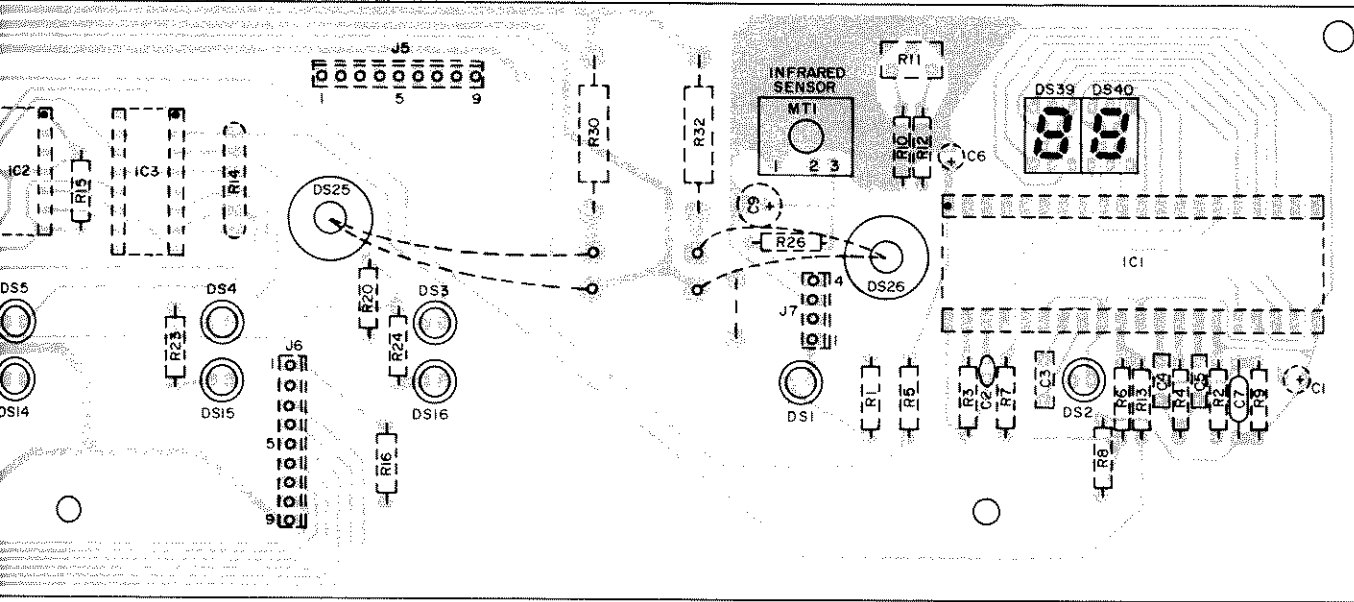




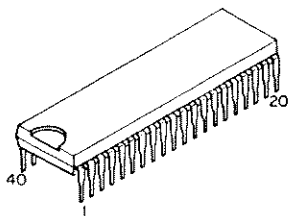
DISPLAY P

DISPLAY PARTS LIST

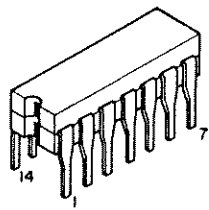
Symbol	Part	Description
INTEGRATED CIRCUITS		
IC1	133152	3.5 Digit A/D Converter TSC7107CPL
IC2	133117	CMOS, Quad Analog Switch, MC14066B
IC3	133183	CMOS, Dual 2-Bit Latch, MC74HC75N
LIGHTING DEVICES		
DS1-DS22	070093	LED, RED
DS23-DS26	058042	INC, 14V, .08A, Blue Leads
DS27-DS38	070093	LED, RED
DS39, DS40	058093	LED, 7-Segment Display
SENSORS		
MT1	121022	SENSOR, IR



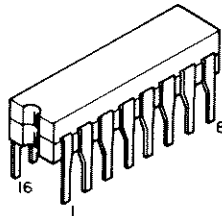
LAYER PCB 047293



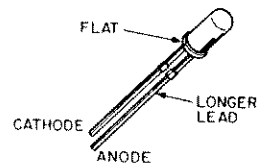
IC1



IC2



IC3



DS1-DS22,
DS27-DS38



DS39 & DS40

Repacking Instructions

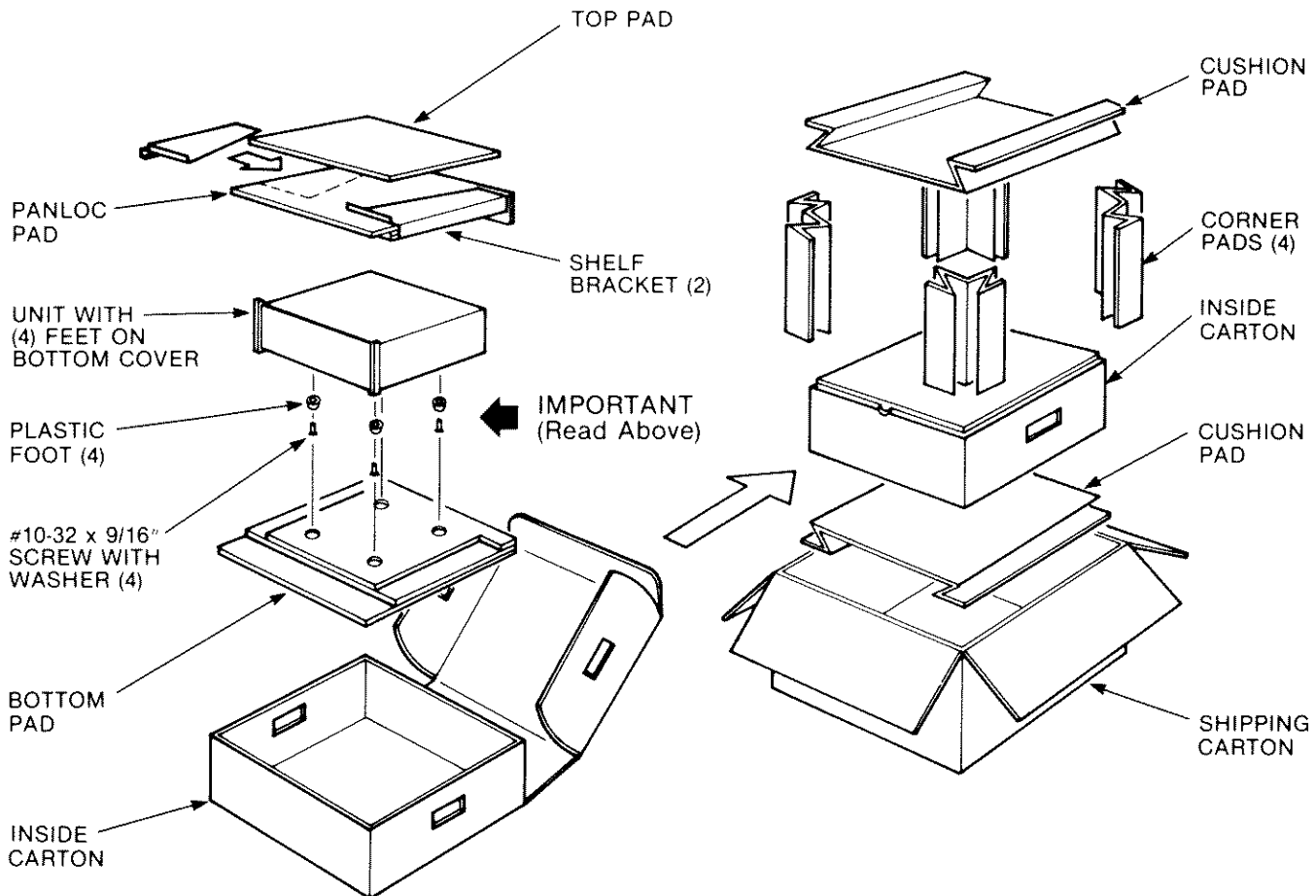
In the event it is necessary to repack the unit for shipment, the unit must be packed exactly as shown below. The shelf brackets do not have to be included in the carton for the unit to be packed properly, but their position in the carton is indicated.

IMPORTANT - The four plastic feet must be attached to the bottom of the unit so they will locate in the four holes of the bottom pad. Failure to do this will result in shipping damage.

If a shipping carton or any of the interior parts is needed, please call or write the Customer Service Department of McIntosh Laboratory. Order parts from the accompanying list by part number.

Use the original shipping carton and interior parts only if they are all in good serviceable condition.

Qty	Part No.	Description
1	033613	Shipping carton only
2	033611	Cushion pad
4	033333	Corner pad
1	033608	Inside carton only
1	033610	Top pad
1	033609	Panloc pad
1	033612	Bottom pad
4	017218	Plastic foot, 1" high held with 100159 screw.
4	100159	#10-32 x 3/4" Machine screw
4	104080	#10 Flat washer
1	047438	Shipping carton complete with all the above parts.



McIntosh[®]

CR10 REMOTE CONTROL SYSTEM

The continuous improvement of its products is the policy of McIntosh Laboratory Incorporated, who reserve the right to improve design without notice. Because of the constant upgrading of McIntosh products' circuitry and components, the Company cannot insure, and does not warrant, the accuracy of the within schematic material, which is intended for information only.

McIntosh Laboratory Inc. 2 Chambers Street Binghamton, NY 13903-2699

Part No. 039748

Printed in U.S.A.

Telephone (607)723-3512

BE012003