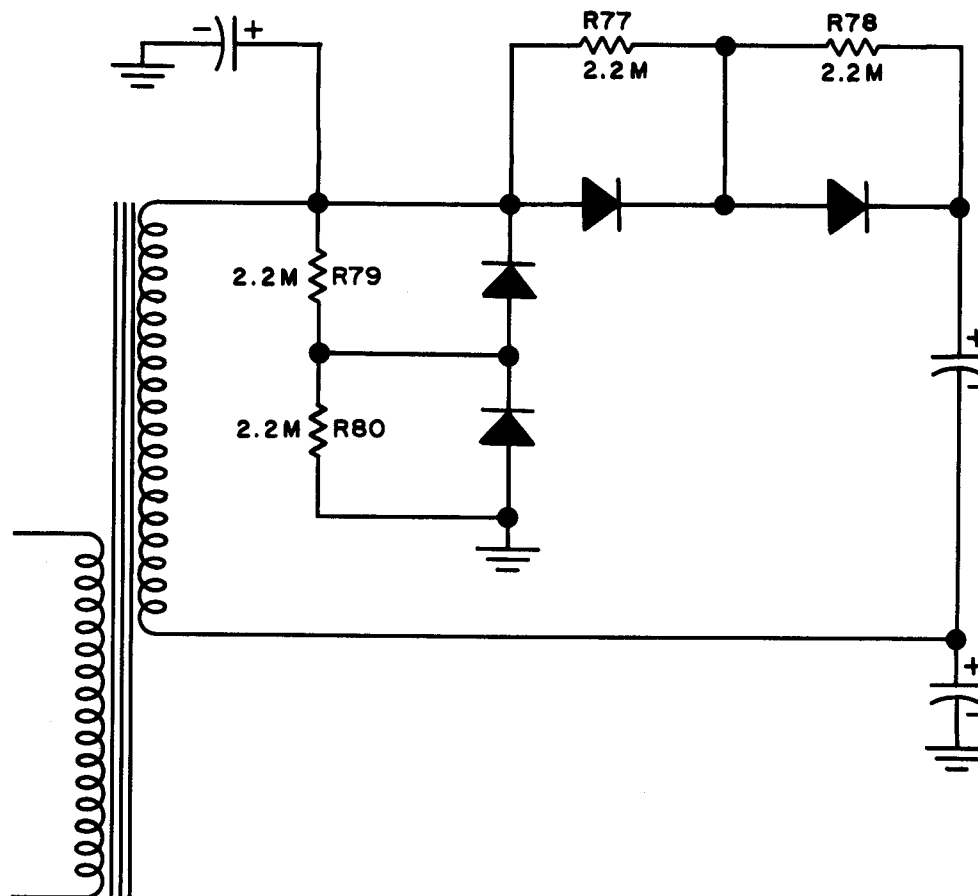


- 5) Prepare another pair of 2.2 megohm ½ watt 10% resistors (red, red, green, silver) following the procedure outlined in step 3 of this addendum.
- 6) Connect the twisted leads of the pair of 2.2 megohm ½ watt 10% resistors (red, red, green, silver) through the loop of SD3 and SD4 (S). Cut off excess wire. Connect one free end of the pair of resistors to T5 lug #1 (NS). Connect the other free end to T6 lug #2 (NS). (See addendum pictorial, detail C.)

C) Refer to detail D (schematic diagram). Add R77, R78, R79 and R80 to power supply section of schematic on page 18.

**DETAIL D**



D) Refer to page 34 (replacement parts list) add the following under "Resistors".

RA 225-1	.....	4	.....	2.2 megohm ½ watt 10%
				(red, red, green, silver)

E) Refer to page 16, step 15.

This step reads "Connect A 330 ohm ½ watt 5% resistor (orange, orange, brown, gold) from T4-3 (S) to T4-2 (NS)." Change this step to read "Connect a 300 ohm ½ watt 5% resistor (orange, black, brown, gold) from T4-3 (S) to T4-2 (NS)."

F) Refer to page 19 (schematic diagram) change R76 value from 330 — 5% to 300 — 5% (connected to rotary switch — S1 front).

G) Refer to page 34 (replacements parts list under subheading resistors) line 4.

Change RA151—.5 ..... 1 ..... 330 ohms ½ watt 5% (orange, orange, brown, gold) to read "RA301—.5 ..... 1 ..... 300 ohms ½ watt 5% (orange, black, brown, gold)".

H) Refer to pictorial 5, lug strip T4. Change value of resistor connected from lug 2 to lug 3 to read 300 ohms.