

TOGETHER AND SOLDER.

TWIST TABS AFTER INSERTING INTO BRACKET

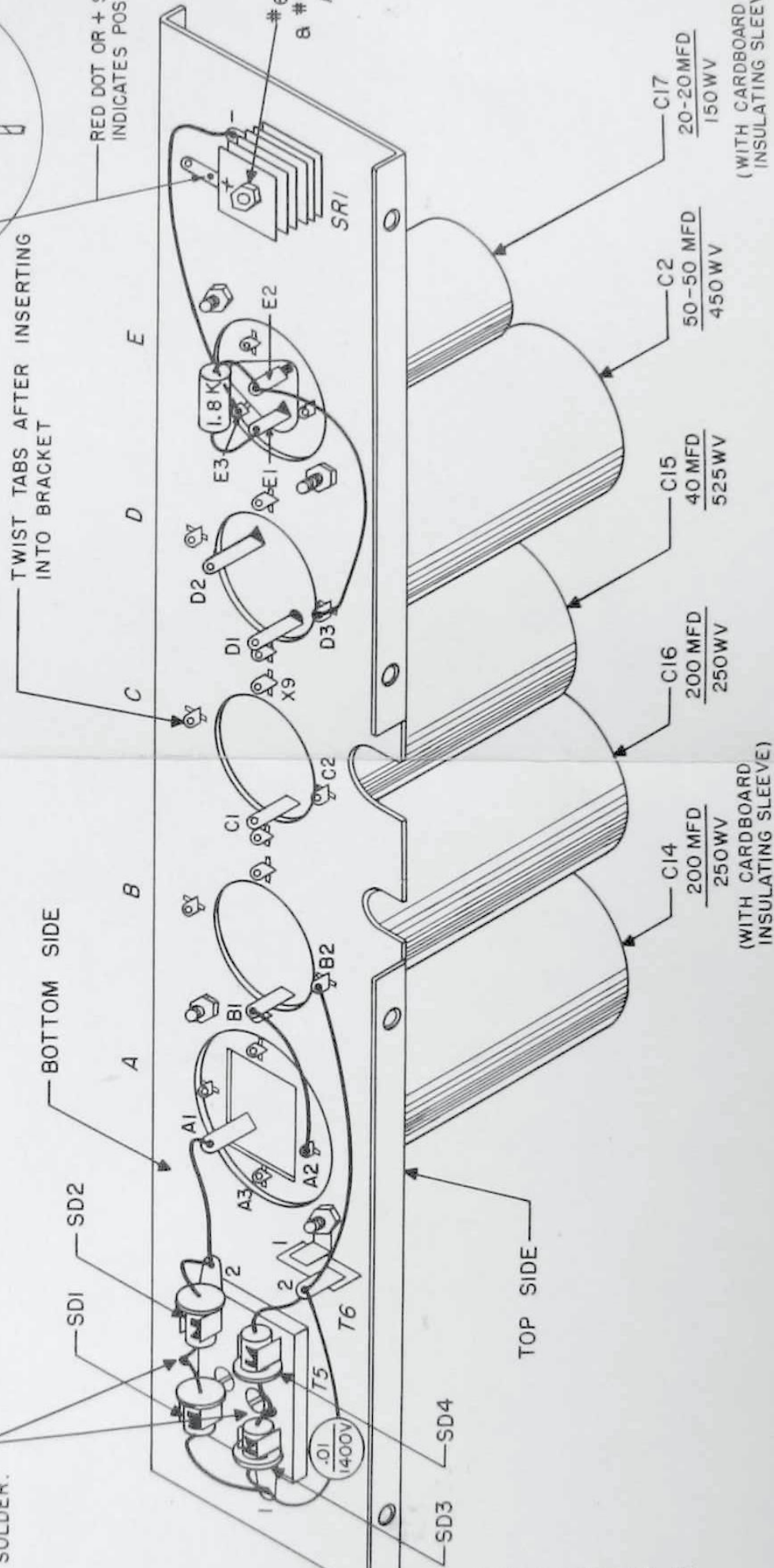
RED DOT OR + SYMBOL INDICATES POSITIVE

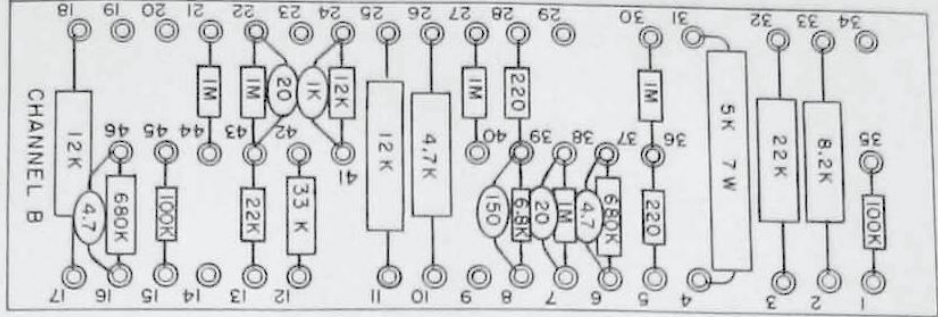
#6-32 & #6 LOCK AND NUTS

BOTTOM SIDE

TOP SIDE

CITATION II





(SLIP SLEEVING OVER CONDENSER LEADS)

FIGURE C

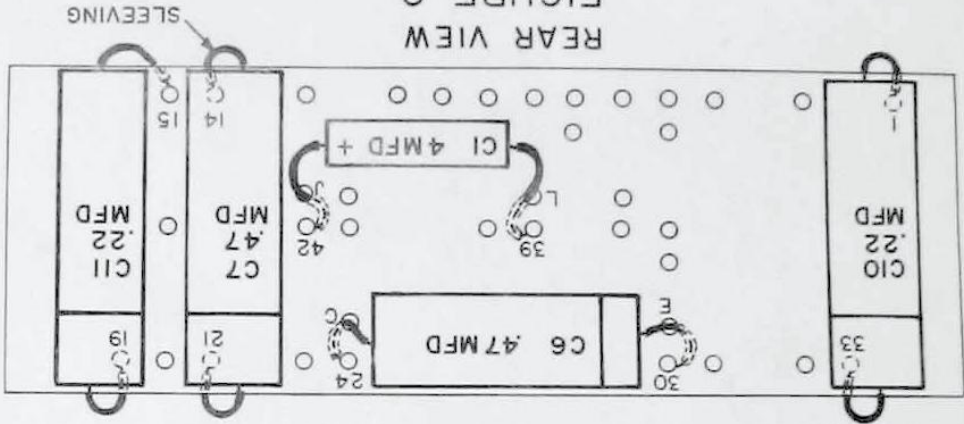


FIGURE B

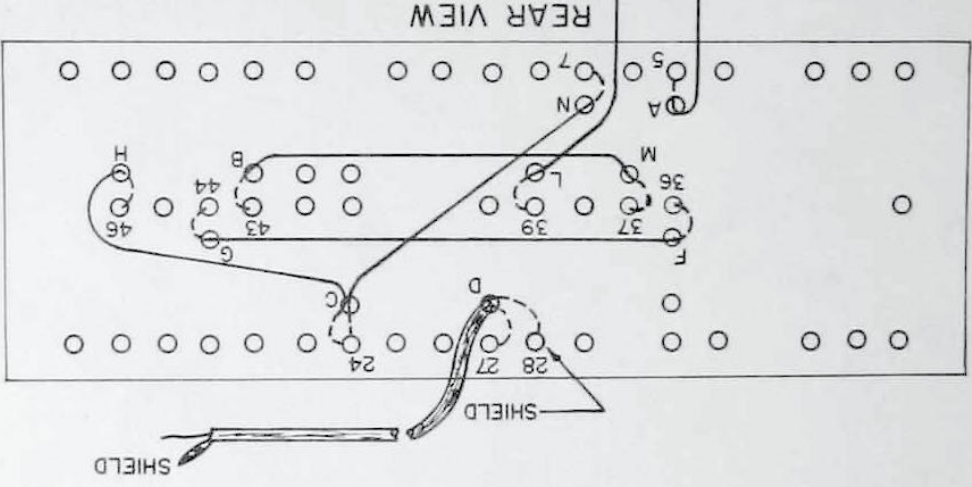
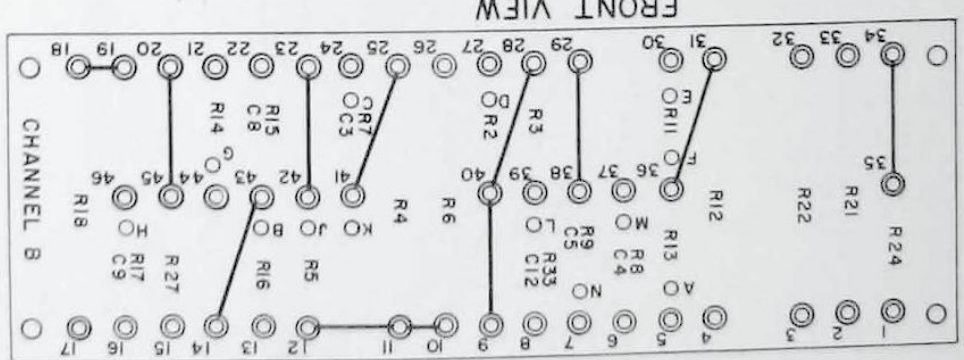
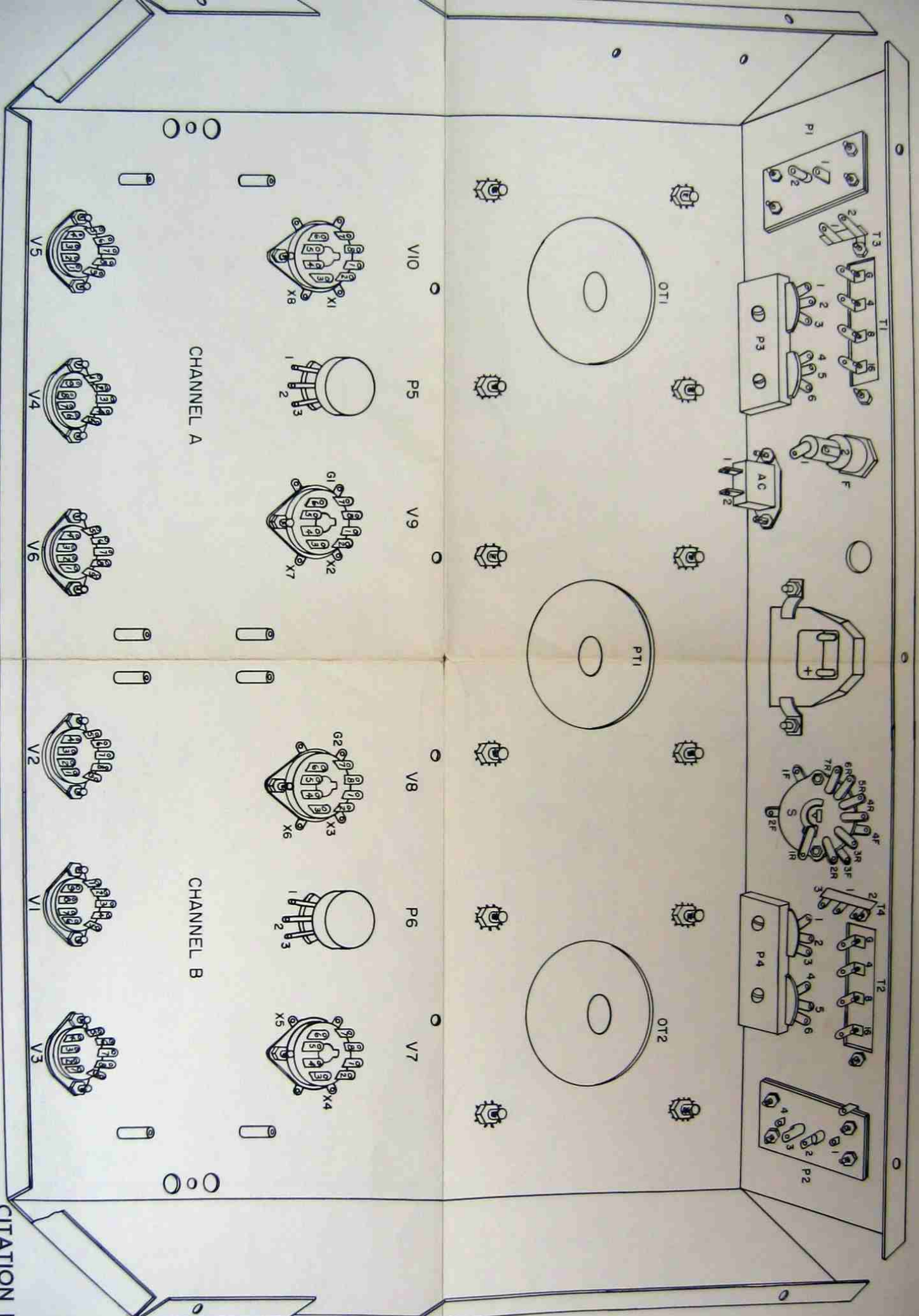
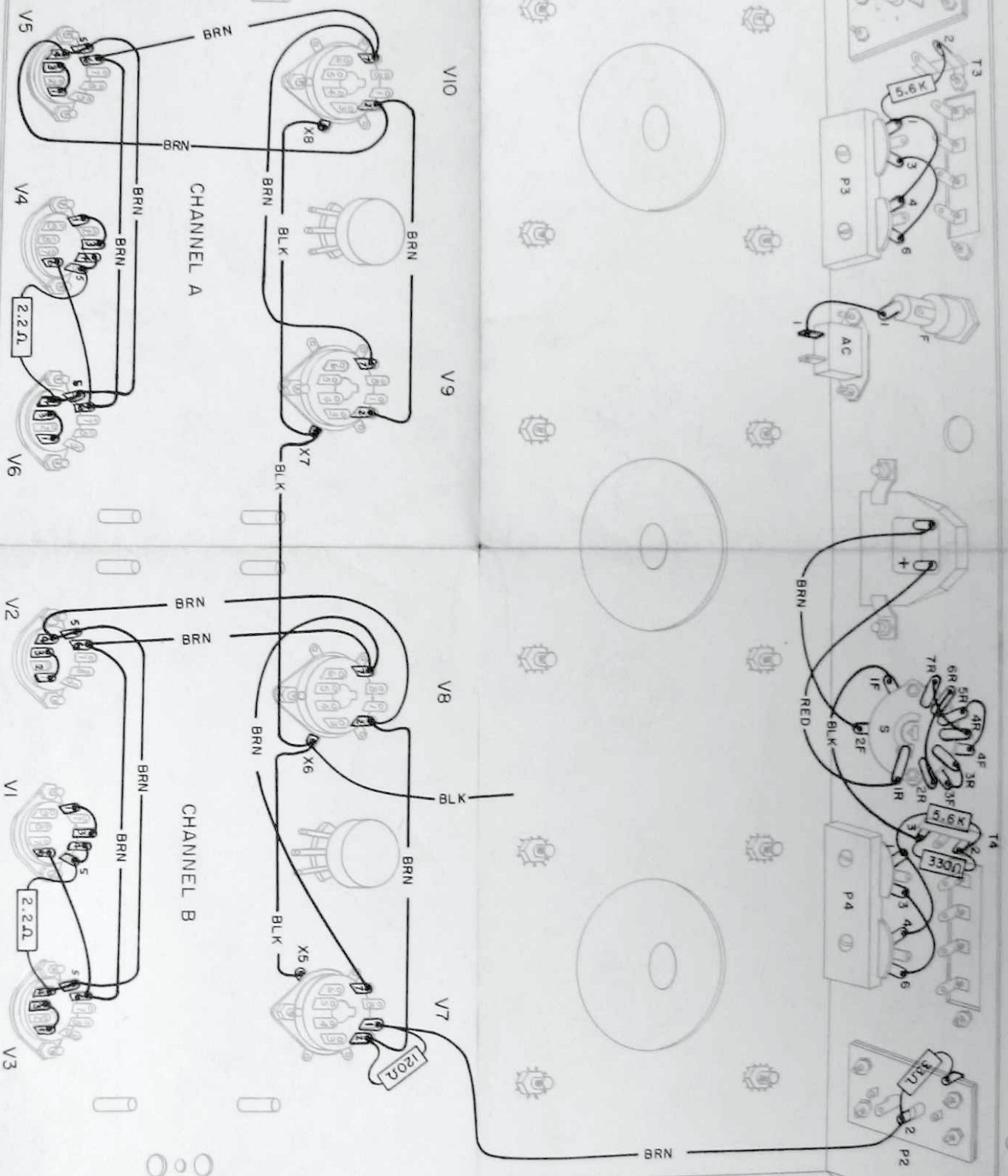


FIGURE A

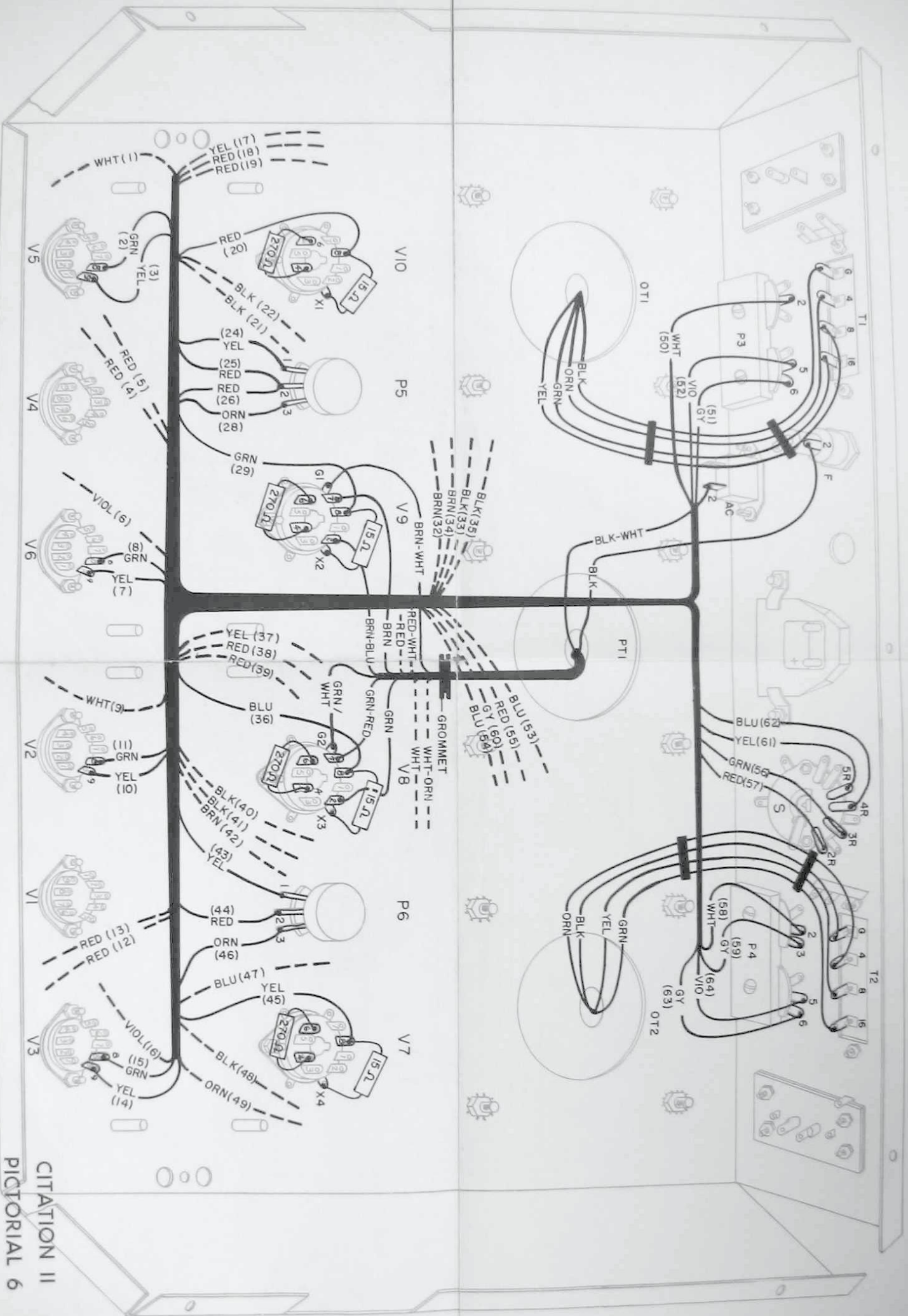




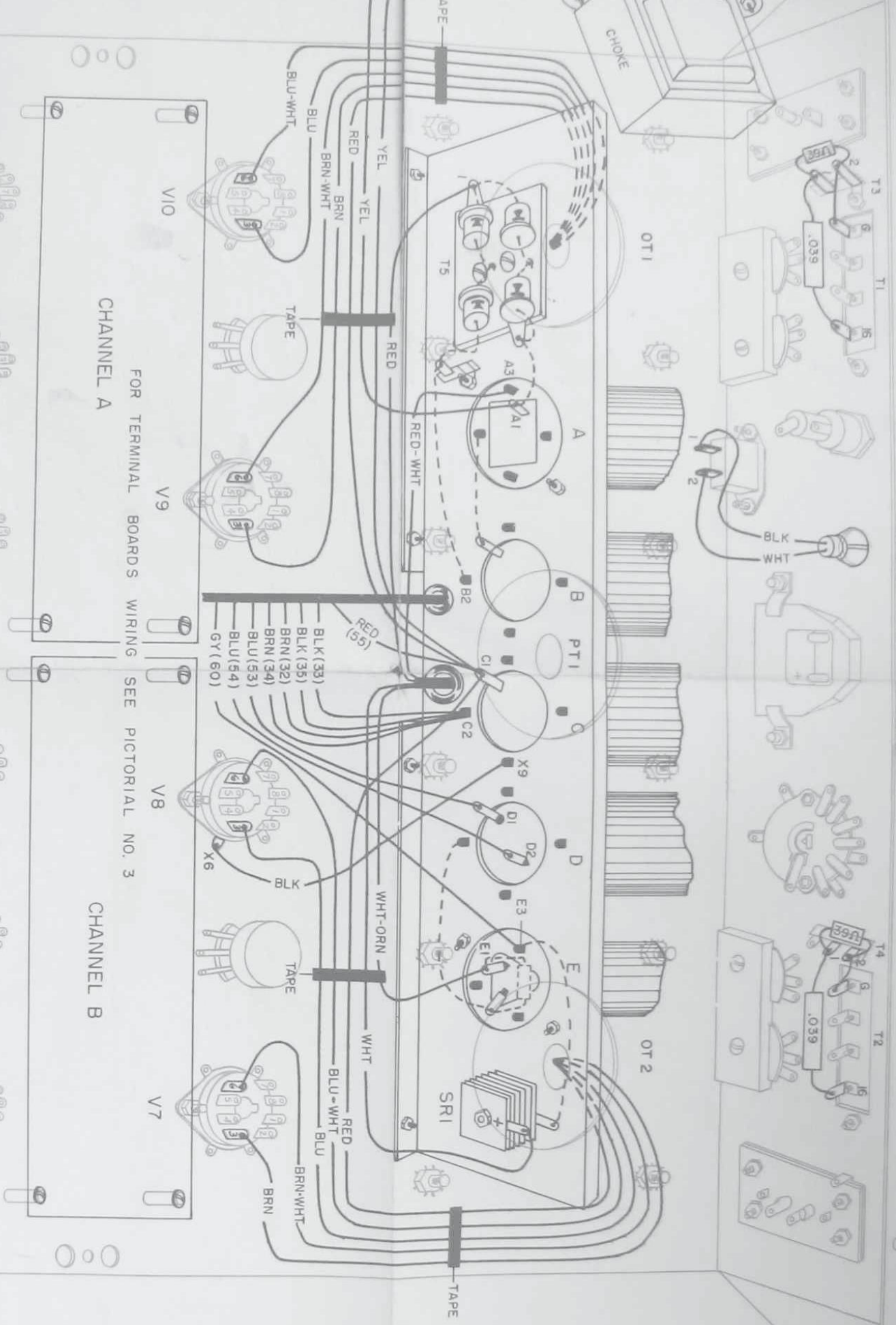
CITATION II
 PICTORIAL 4
 CHASSIS ASSEMB
 PICTORIAL 4 - PART NO. 1327



CITATION II
 PICTORIAL 5
 PRELIMINARY CHASSIS W



CITATION II
 PICTORIAL 6
 HARNESS INSTALLATION



FOR TERMINAL BOARD WIRING SEE PICTORIAL NO. 3

CHANNEL A

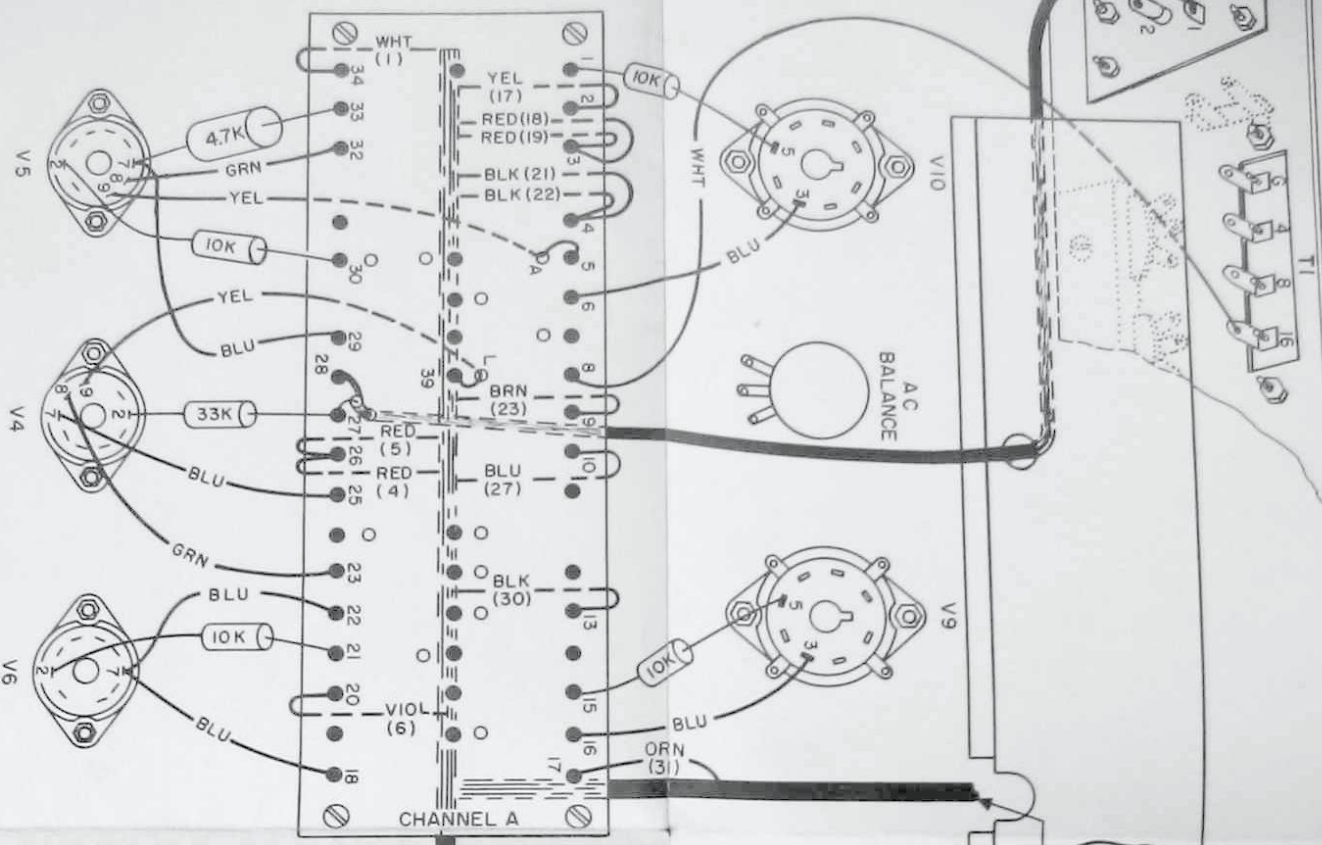
CHANNEL B

CITATION II

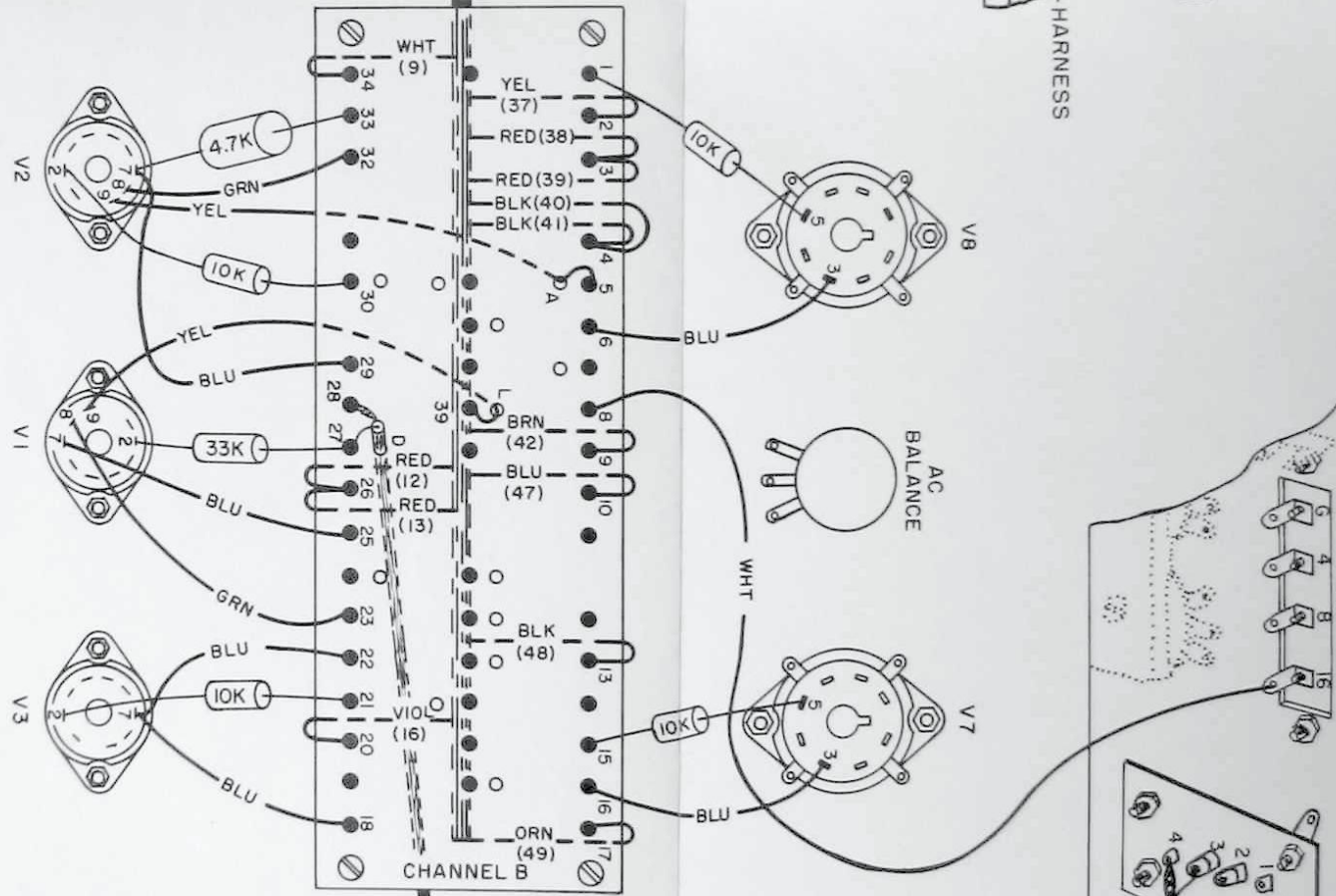
PICTORIAL 7

ASSEMBLY ELECTROLYTIC BRACKET
TO CHASSIS

CHANNEL A
TB 2



CHANNEL B
TB 1



CITATION II
PICTORIAL 8
TERMINAL BOARD INSTALLATION