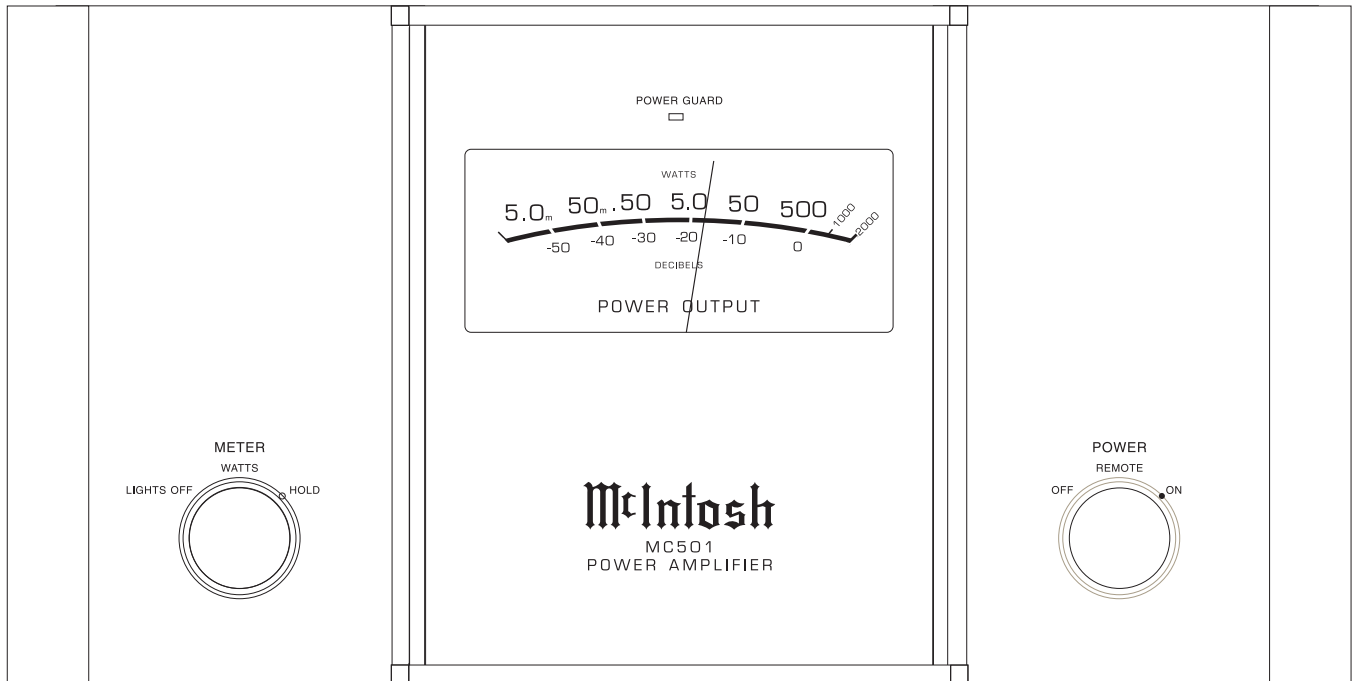




MC501

POWER AMPLIFIER

SERIAL NO. WU1001 And Above



CONTENTS

Performance Specifications	2	Power Schematic and PCB	15 - 16
Notes	2	Input Schematic and PCB	17 - 18
Top and Rear Views	3	Meter/Lighting Schematic and PCB	19 - 20
Section Location	4	Parts List	21 - 24
Block Diagram	5 - 6	Exploded View and Parts List	25 - 28
Interconnection Diagram	7 - 8	Repacking Instructions	29
Driver/Heatsink Schematic and PCB	9 - 13		

SERVICE MANUAL

Serial Number WU1001 And Above

PERFORMANCE SPECIFICATIONS

Power Output

Minimum sine wave continuous average power output is:
500 watts into 2 ohm load
500 watts into 4 ohm load
500 watts into 8 ohm load

Rated Power Band

20Hz to 20,000Hz

Total Harmonic Distortion

Maximum Total Harmonic Distortion at any power level from 250 milliwatts to rated power output is: 0.005% for 2, 4 or 8 ohm load

Dynamic Headroom

1.8dB

Frequency Response

+0, -0.25dB from 20Hz to 20,000Hz
+0, -3dB from 10Hz to 100,000Hz

Sensitivity

2.1 Volts Unbalanced Input
4.2 Volts Balanced Input

A-Weighted Signal To Noise Ratio

97dB (124dB below rated output) Unbalanced and Balanced

Intermodulation Distortion

Maximum Intermodulation Distortion if instantaneous peak output does not exceed twice the rated output, for any combination of frequencies from 20Hz to 20,000Hz is: 0.005% for 2, 4 or 8 ohm load

Input Impedance

10,000 ohms Unbalanced Inputs
20,000 ohms Balanced Inputs

Wide Band Damping Factor

100 @ 8ohms

Power Requirements

100 Volts, 50/60Hz at 8.0 amps
110 Volts, 50/60Hz at 7.2 amps
120 Volts, 50/60Hz at 6.6 amps
220 Volts, 50/60Hz at 3.3 amps
230 Volts, 50/60Hz at 3.3 amps
240 Volts, 50/60Hz at 3.3 amps

Note: Refer to the rear panel of the MC501 for the correct voltage.


Overall Dimensions

Front Panel: 17-1/2 inches (44.45cm) wide, 8-13/16 inches (22.38cm) high. Depth is 14-13/16 inches (37.62cm) including the Front Panel and Knobs

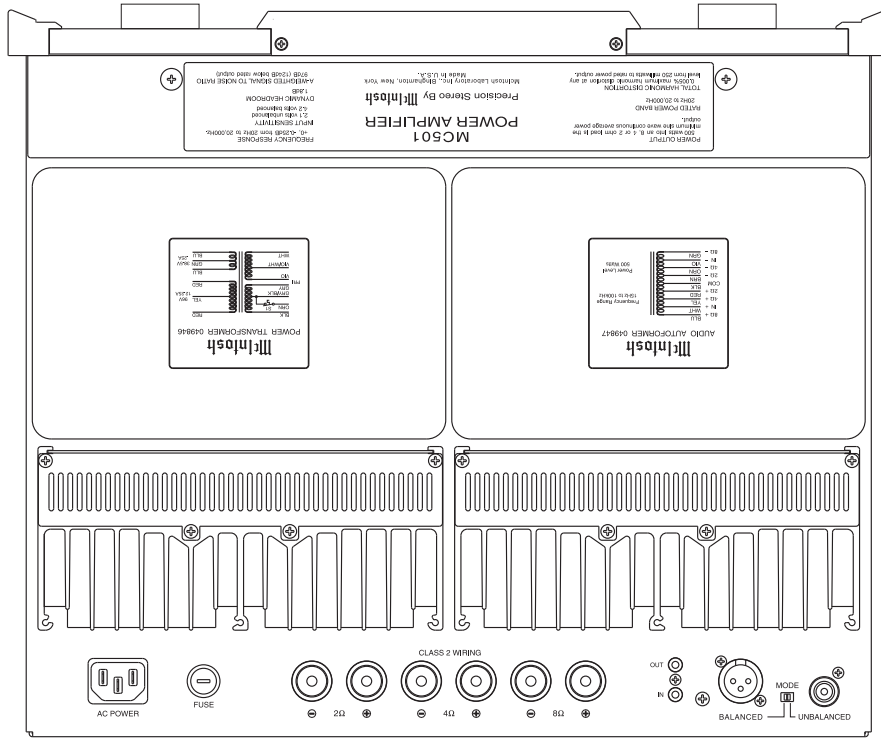
Weight

91.5 pounds (41.6 kg) net, 105.5 pounds (48 kg) in shipping carton

NOTES

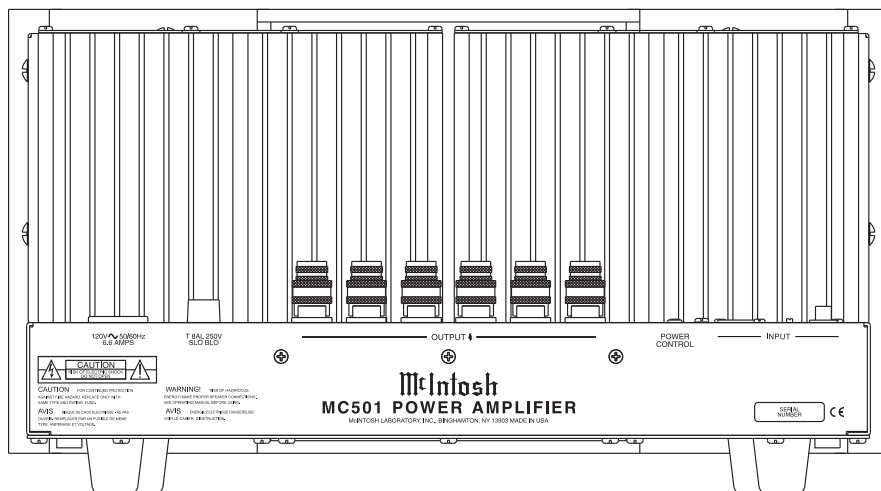
1. The heavy notes on the schematic denote the primary signal path.
2. Unless otherwise noted, all voltages indicated on the schematics are measured under the following conditions:
 - a. AC input at 120 volts, 50/60Hz.
 - b. All voltages are +/-10% with respect to ground. A high impedance (10 megaohm) voltmeter must be used.
3. Unless otherwise specified:
 - a. Resistor values are in ohms.
 - b. Capacitor values are microfarads (uF).
 - c. Inductor values are in microhenries (uH).
4. On PC board drawings, Square pad indicates:
 - a. Polarized Capacitors - Positive
 - b. Diodes - Cathode
 - c. Others - Pin 1
5. **WARNING**
Parts marked with the symbol  have critical characteristics. Use only replacement parts recommended by the manufacturer.

TOP and REAR PANEL



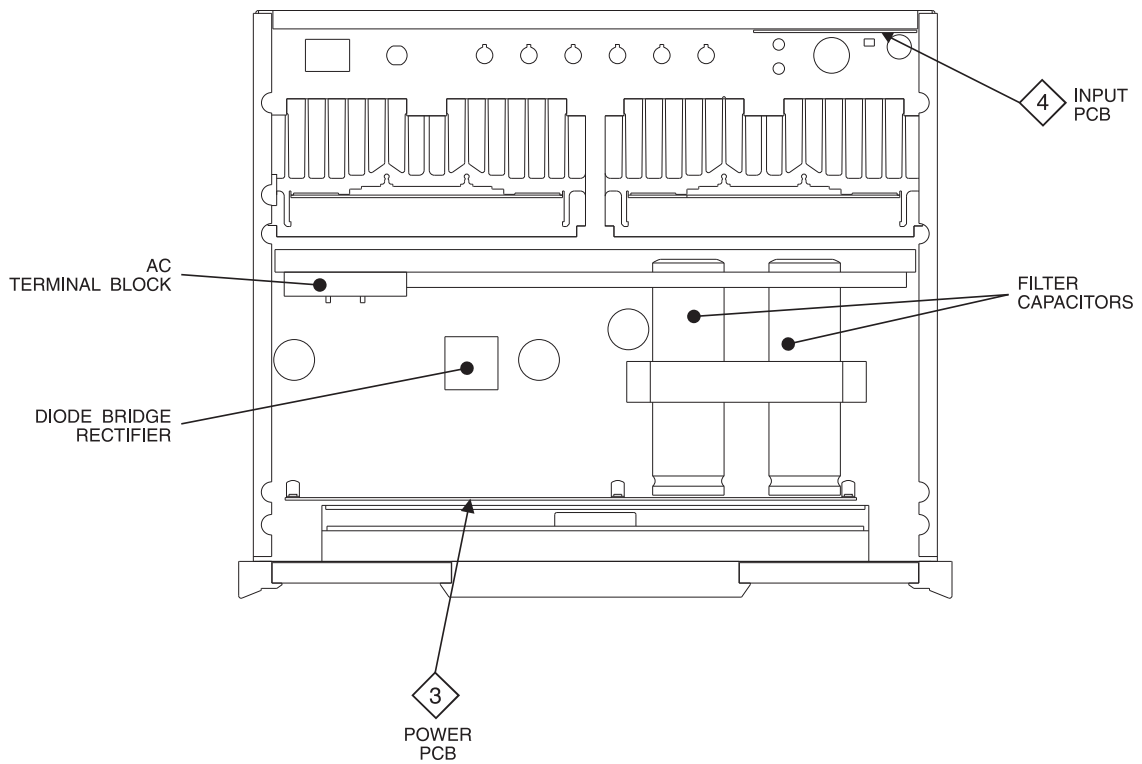
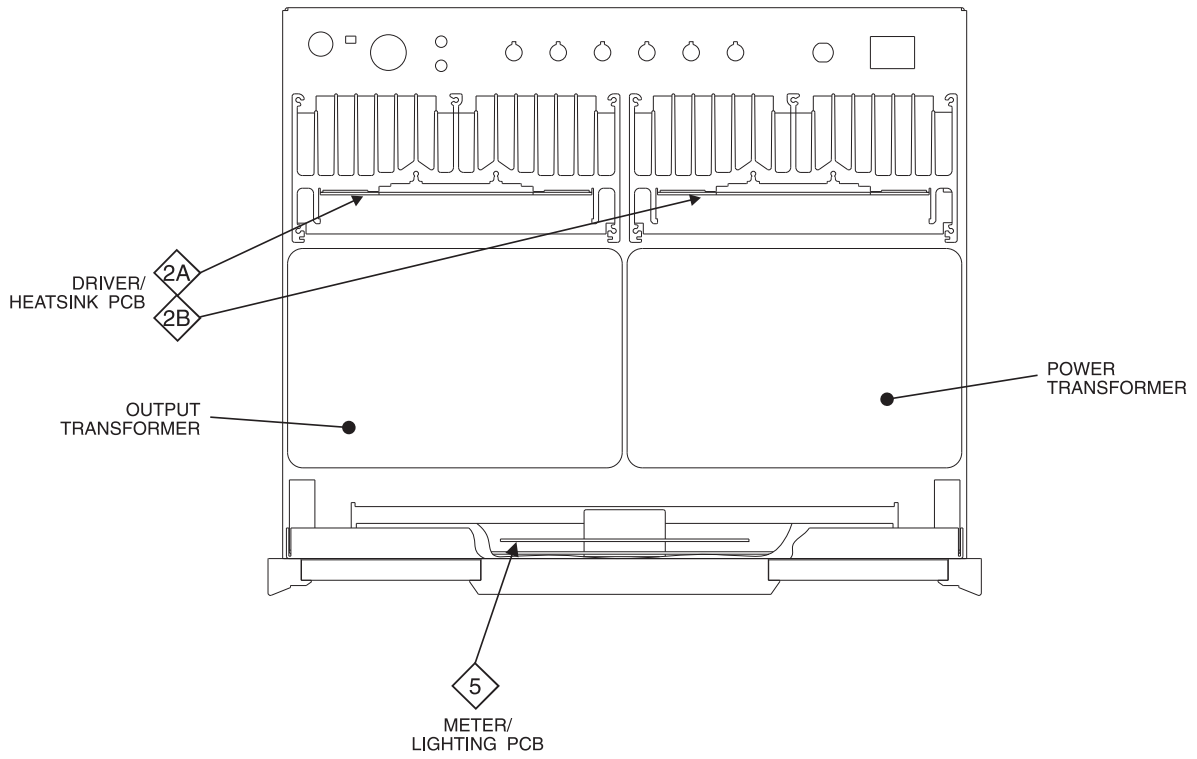
TOP VIEW

REAR VIEW



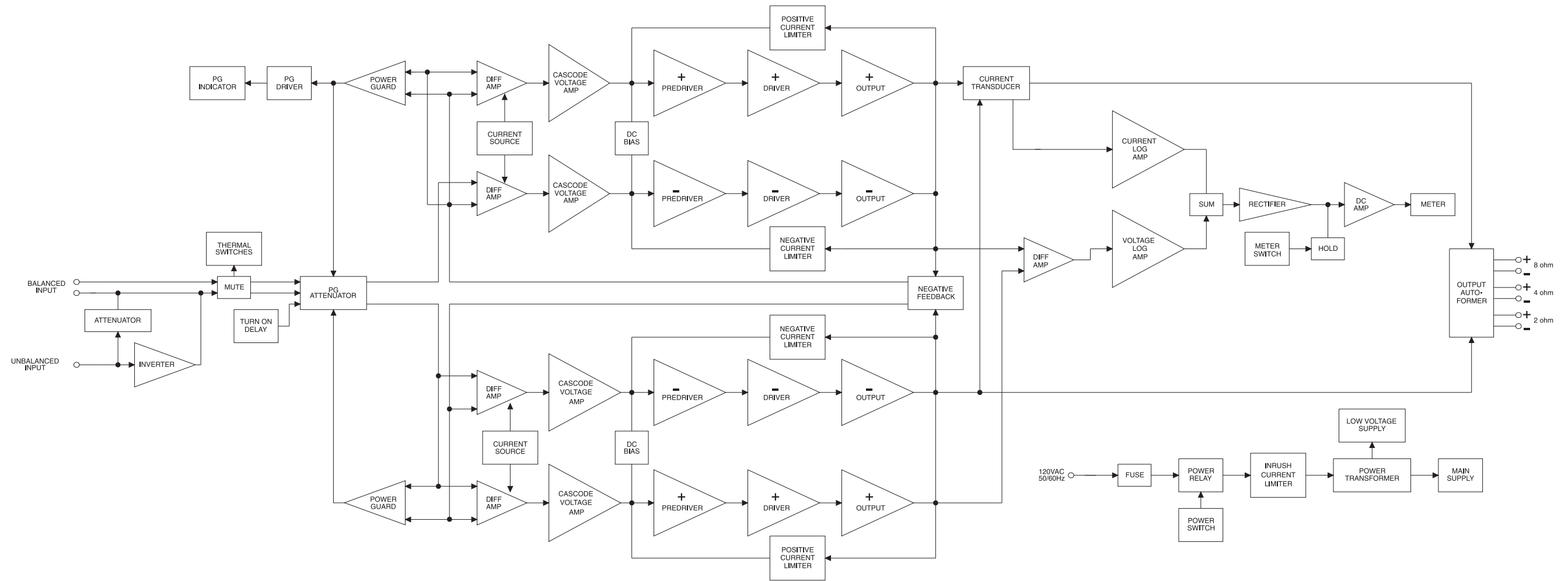
SECTION LOCATIONS

TOP VIEW WITH COVER REMOVED



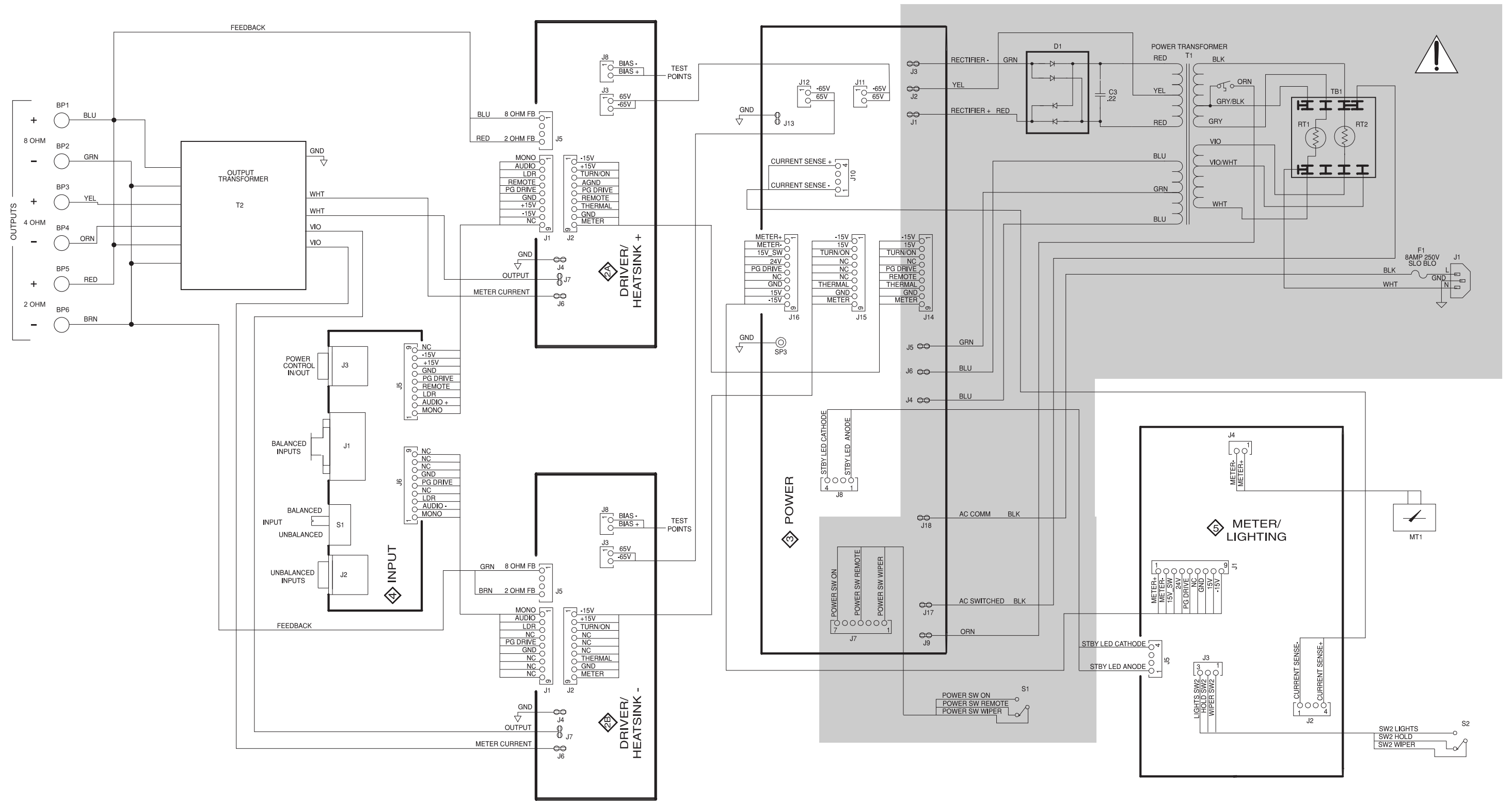
BOTTOM VIEW WITH COVER REMOVED

BLOCK DIAGRAM



1 INTERCONNECT

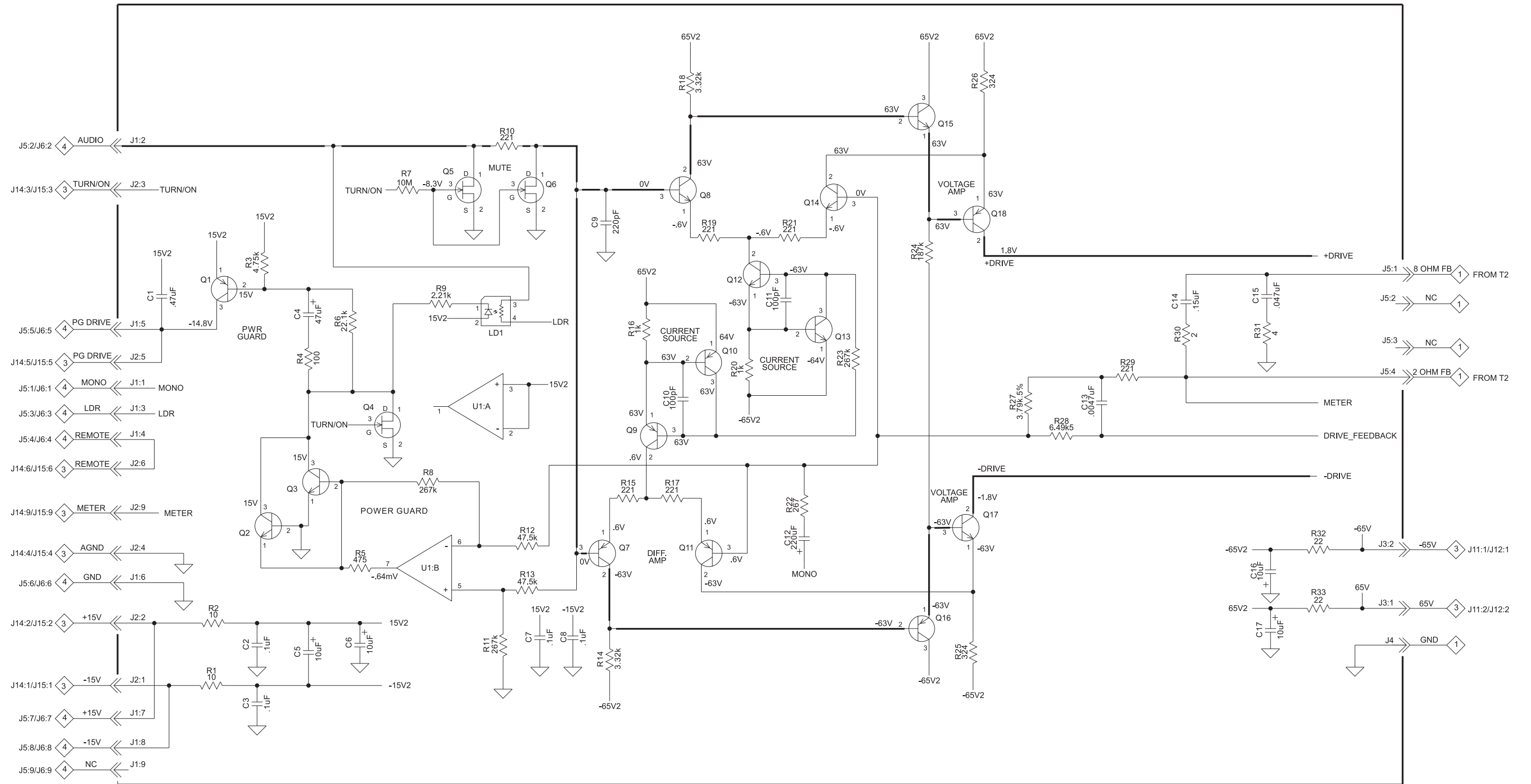
⚠ WARNING Parts located in the shaded area have critical characteristics. Use only replacement parts recommended by the manufacturer.

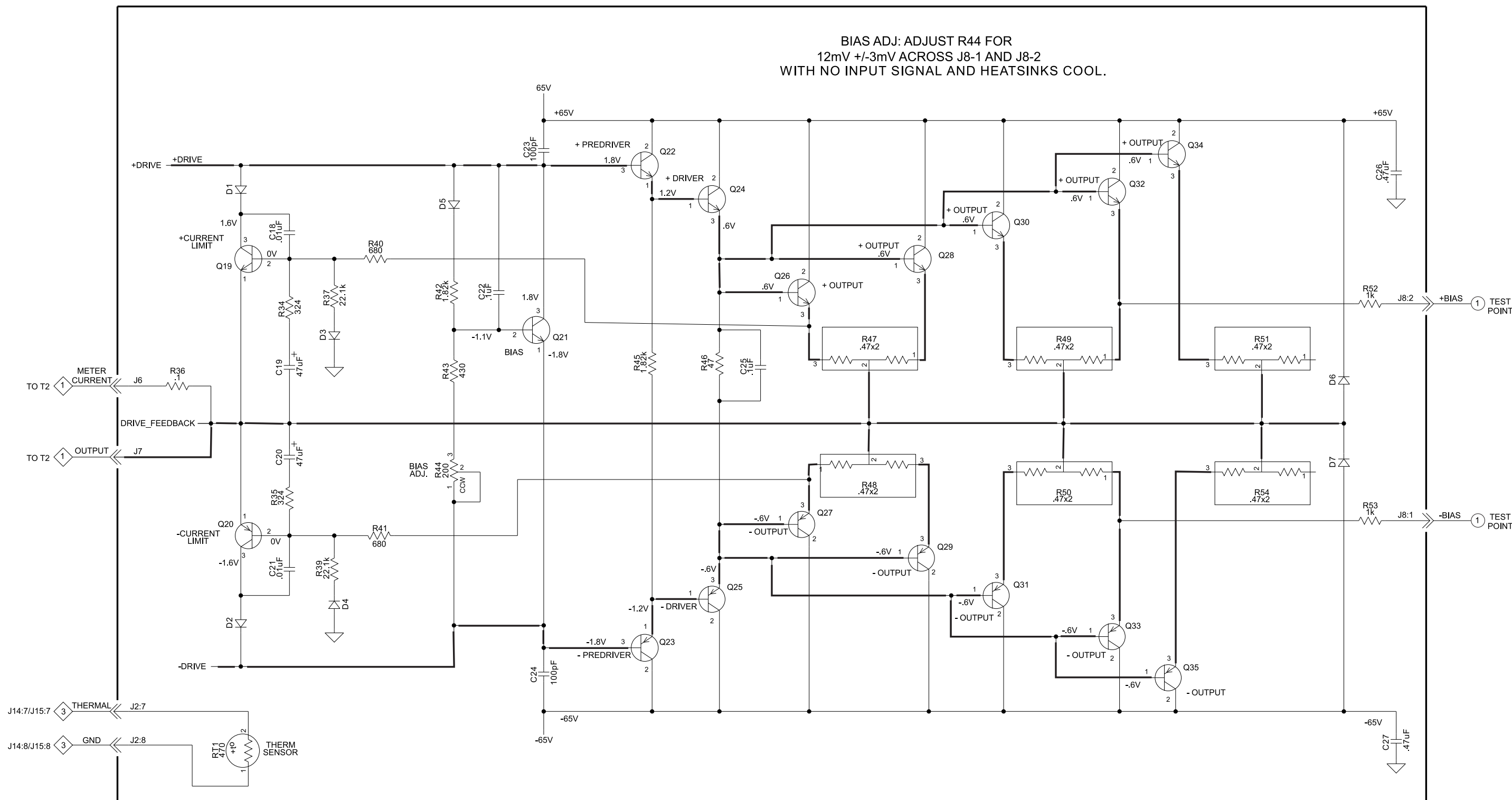


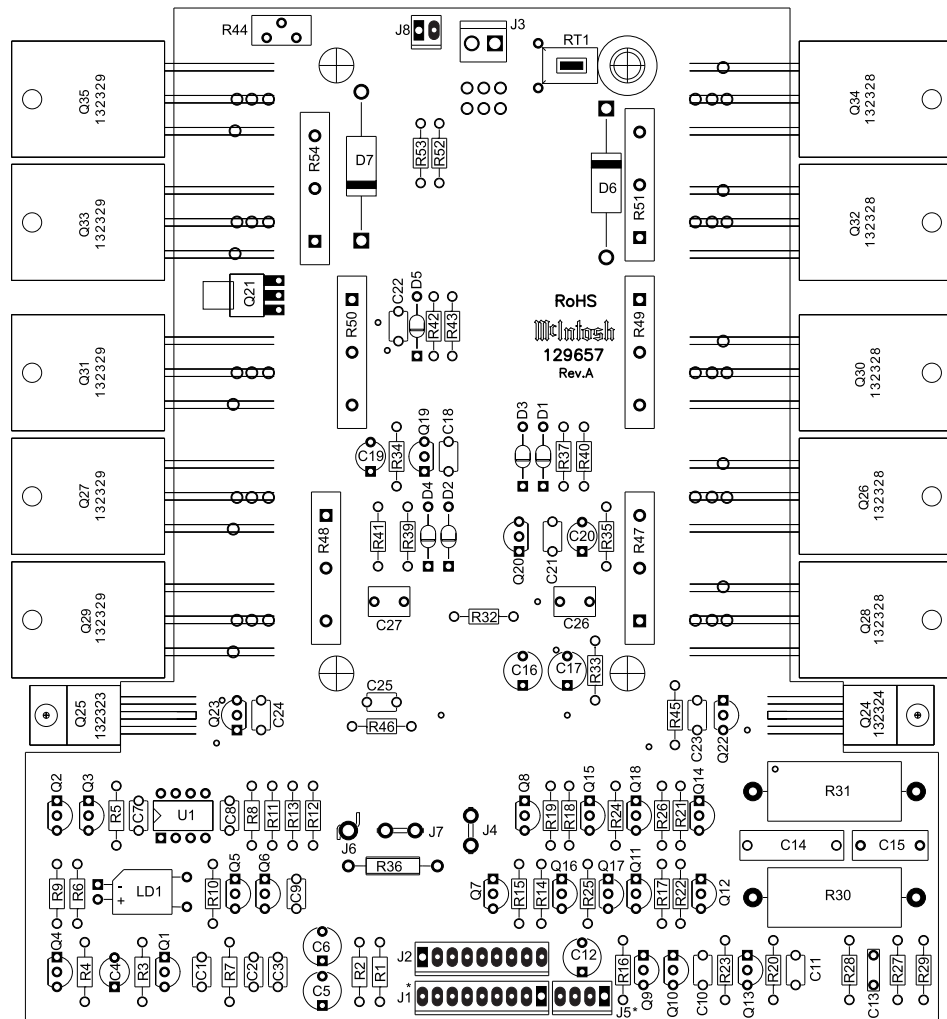


DRIVER/HEATSINK 749828 SCH 1 OF 2

DRIVER SECTION



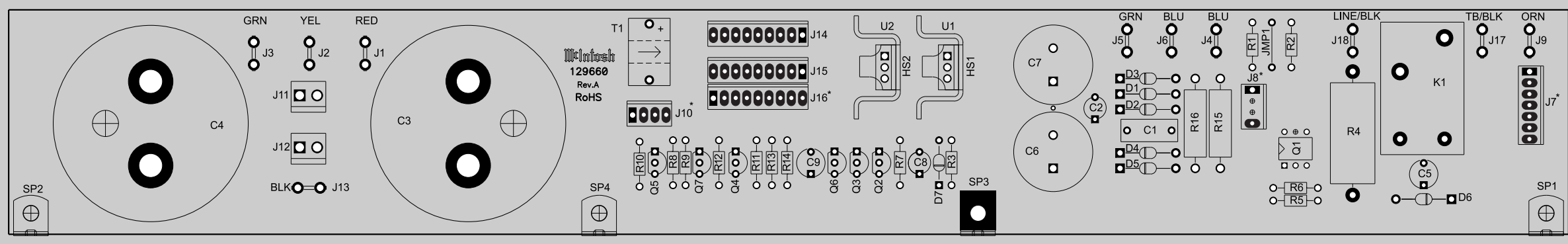
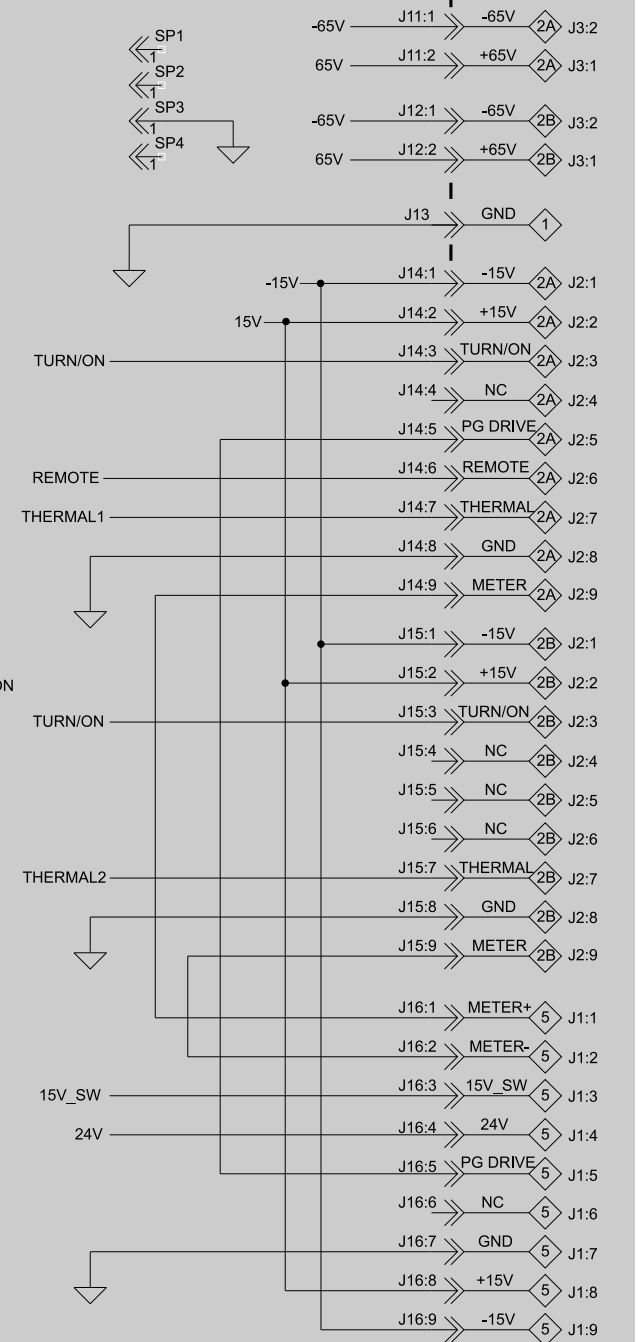
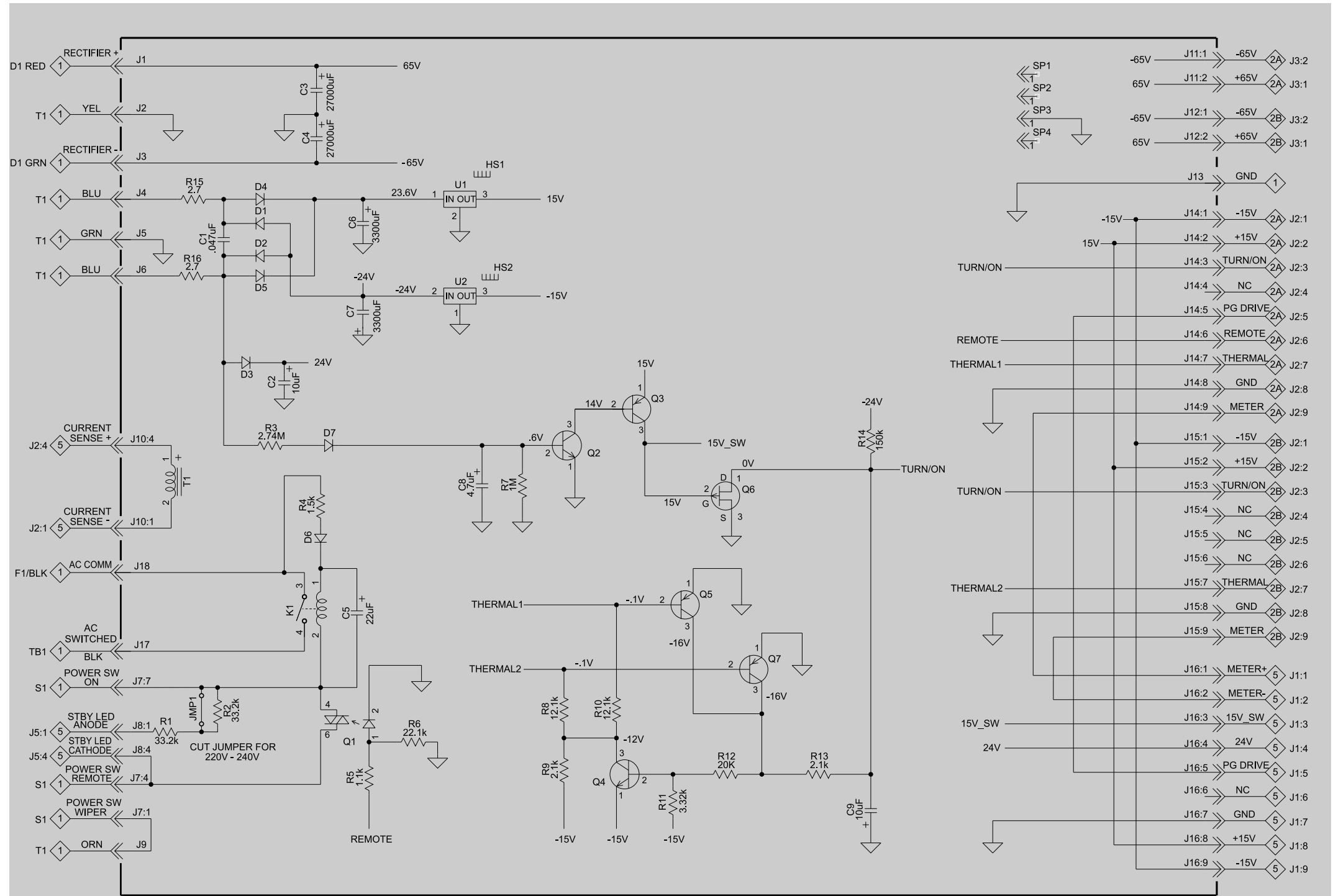




* DENOTES COMPONENTS ON BACKSIDE OR FAR SIDE OF PC BOARD.

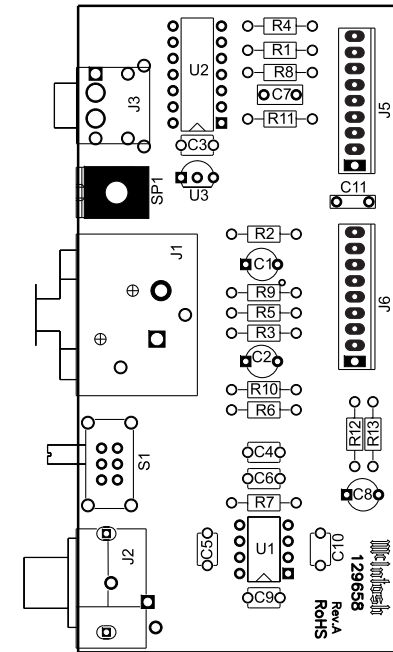
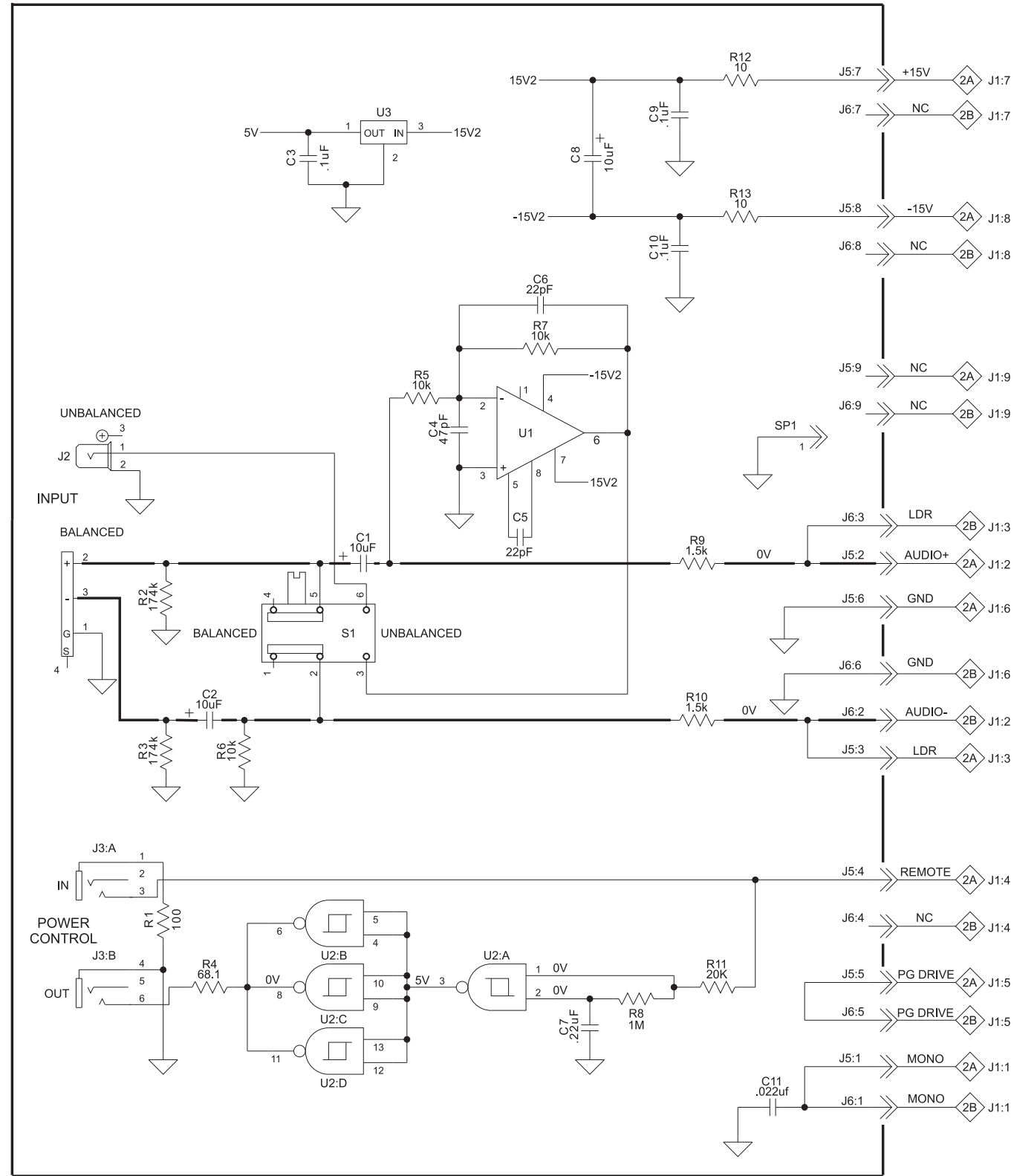
3 POWER 749831 SCH AND PCB

! WARNING Parts located in the shaded area have critical characteristics. Use only replacement parts recommended by the manufacturer.

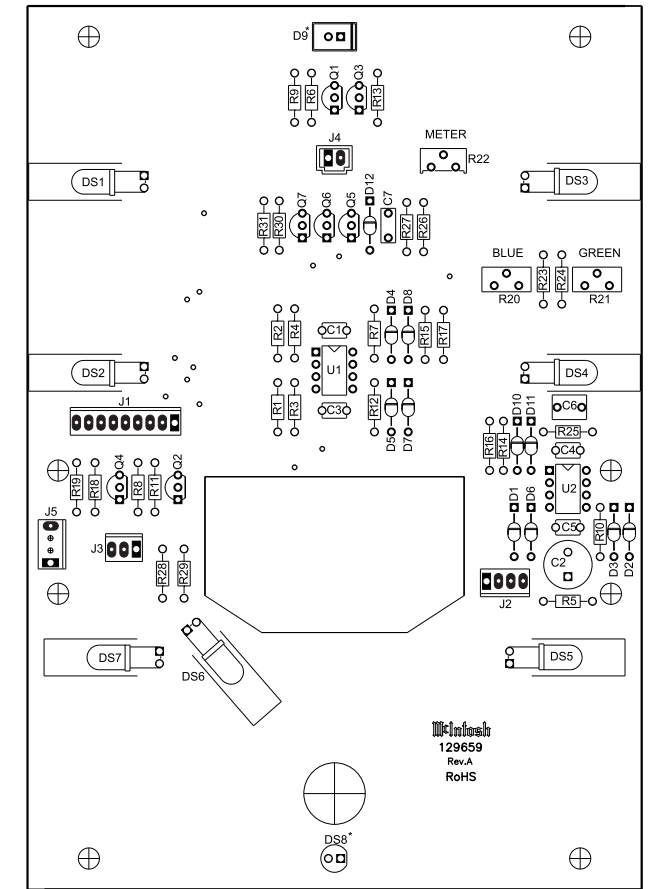
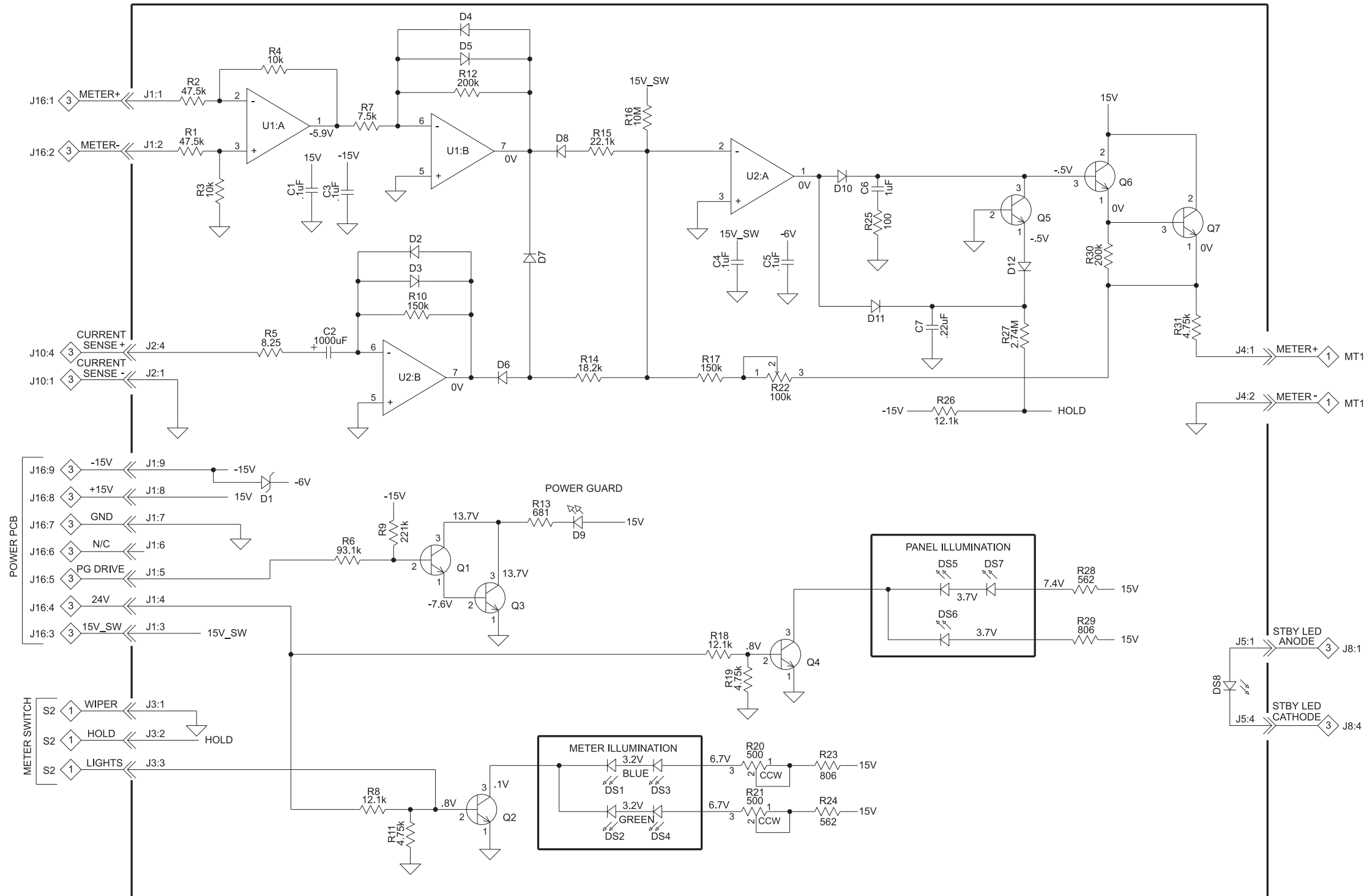


* DENOTES COMPONENTS ON BACKSIDE OF PCB

4 INPUT 749829 SCH AND PCB



5 METER/LIGHTING 749830 SCH AND PCB



* DENOTES COMPONENTS ON BACKSIDE OF PCB

PARTS LIST

1 INTERCONNECT

Ref. No.	Description	Part No.
BP1	BINDING POST, RED	117937
BP2	BINDING POST, BLK	117938
BP3	BINDING POST, RED	117937
BP4	BINDING POST, BLK	117938
BP5	BINDING POST, RED	117937
BP6	BINDING POST, BLK	117938
DI	DIODE, BRIDGE RECTIFIER	070181
F1	FUSE	089134
J1	RECEPTACLE, AC LINE	117487
MT1	METER	124093
RT1	THERMISTER ASSY	052008
RT2	THERMISTER ASSY	052008
S1	SWITCH	146243
S2	SWITCH	146243
T1	TRANSFORMER, POWER	749846
T2	TRANSFORMER, OUTPUT	749847
TB1	TERMINAL BLOCK AC	074091

2A DRIVER/HEATSINK PCB 749828

C1	CAP DISC MONO .47UF 50V	061320
C2	CAP MONO .1UF 50V 20% Z5U	061346
C3	CAP MONO .1UF 50V 20% Z5U	061346
C4	CAP ELECT 47UF 35V	066446
C5	CAP ELECT 10UF 100VDC	066462
C6	CAP ELECT 10UF 100VDC	066462
C7	CAP MONO .1UF 50V 20% Z5U	061346
C8	CAP MONO .1UF 50V 20% Z5U	061346
C9	CAP MONO 220PF 200V 10% NPO	061342
C10	CAP MONO 100PF 100V 10% NPO	061341
C11	CAP MONO 100PF 100V 10% NPO	061341
C13	CAP MPF 0.0047UF 5% 63VDC	064308
C14	CAP POLYPROP 0.15UF 10% 250VDC	064363
C15	CAP POLYPROP .047UF 10% 250VDC	064364
C16	CAP ELECT 10UF 100VDC	066462
C17	CAP ELECT 10UF 100VDC	066462
C18	CAP MONO .01UF 50V 20% X7R	061345
C19	CAP ELECT 47UF 35V	066446
C20	CAP ELECT 47UF 35V	066446
C21	CAP MONO .01UF 50V 20% X7R	061345
C22	CAP MONO .1UF 50V 20% Z5U	061346
C23	CAP MONO 100PF 100V 10% NPO	061341
C24	CAP MONO 100PF 100V 10% NPO	061341
C25	CAP MONO .1UF 50V 20% Z5U	061346
C26	CAP MPF 0.47UF 5% 100VDC	064442
C27	CAP MPF 0.47UF 5% 100VDC	064442
C12	CAP ELECT 220UF 25V	066507
D1	DIODE SILICON	070174
D2	DIODE SILICON	070174
D3	DIODE SILICON	070174
D4	DIODE SILICON	070174
D5	DIODE SILICON	070174
D6	DIODE 200V 3A	070126
D7	DIODE 200V 3A	070126
J1	CONN MALE 9 POS FRICTION LOCK	117244
J2	CONN MALE 9 POS FRICTION LOCK	117244
J3	CONN HEADER 2 PIN 0.156	117404
J4	BLADE FASTON W/FEET	117708

Ref. No.	Description	Part No.
J5	CONN 4 PIN	117215
J6	BLADE FASTON .110	117712
J7	BLADE FASTON W/FEET	117708
J8	CONN 2 PIN MALE	117213
LD1	LDR NETWORK	144179
	PC BD DRIVER/HEATSINK	129657
Q1	TRANSISTOR PNP SILICON	132304
Q2	TRANSISTOR NPN SILICON	132317
Q3	TRANSISTOR NPN SILICON	132317
Q4	TRANSISTOR N JFET	132319
Q5	TRANSISTOR N JFET	132319
Q6	TRANSISTOR N JFET	132319
Q7	TRANSISTOR PNP 120V	132255
Q8	TRANSISTOR PNP	132254
Q9	TRANSISTOR PNP 120V	132255
Q10	TRANSISTOR PNP SILICON	132304
Q11	TRANSISTOR PNP 120V	132255
Q12	TRANSISTOR PNP	132254
Q13	TRANSISTOR NPN SILICON	132317
Q14	TRANSISTOR PNP	132254
Q15	TRANSISTOR NPN SILICON	132317
Q16	TRANSISTOR PNP SILICON	132304
Q17	TRANSISTOR NPN	132325
Q18	TRANSISTOR PNP	132326
Q19	TRANSISTOR NPN SILICON	132317
Q20	TRANSISTOR PNP SILICON	132304
Q21	TRANSISTOR NPN SILICON	132317
Q22	TRANSISTOR NPN	132325
Q23	TRANSISTOR PNP	132326
Q24	TRANSISTOR NPN	132324
Q25	TRANSISTOR PNP	132323
Q26	TRANSISTOR NPN POWER	132328
Q27	TRANSISTOR PNP POWER	132329
Q28	TRANSISTOR NPN POWER	132328
Q29	TRANSISTOR PNP POWER	132329
Q30	TRANSISTOR NPN POWER	132328
Q31	TRANSISTOR PNP POWER	132329
Q32	TRANSISTOR NPN POWER	132328
Q33	TRANSISTOR PNP POWER	132329
Q34	TRANSISTOR NPN POWER	132328
Q35	TRANSISTOR PNP POWER	132329
U1	IC DUAL AMP	133259
R1	RES MF 10 OHM 1% 1/4W	144553
R2	RES MF 10 OHM 1% 1/4W	144553
R3	RES MF 4.75K 1% 1/4W	144520
R4	RES MF 100 OHM 1% 1/4W	144568
R5	RES MF 475 OHM 1% 1/4W	144509
R6	RES MF 22.1K 1% 1/4W	144564
R7	RES MF 10M 1% 1/4W	144575
R8	RES MF 267K 1% 1/4W	144532
R9	RES MF 2.21K 1% 1/4W	144584
R10	RES MF 221 OHM 1% 1/4W	144559
R11	RES MF 267K 1% 1/4W	144532
R12	RES MF 47.5K 1% 1/4W	144526
R13	RES MF 47.5K 1% 1/4W	144526
R14	RES MF 3.32K 1% 1/4W	144518
R15	RES MF 221 OHM 1% 1/4W	144559
R16	RES MF 1K 1% 1/4W	144513
R17	RES MF 221 OHM 1% 1/4W	144559

Ref. No.	Description	Part No.
R18	RES MF 3.32K 1% 1/4W	144518
R19	RES MF 221 OHM 1% 1/4W	144559
R20	RES MF 1K 1% 1/4W	144513
R21	RES MF 221 OHM 1% 1/4W	144559
R22	RES MF 267 OHM 1% 1/4W	144560
R23	RES MF 267K 1% 1/4W	144532
R24	RES MF 187K 1% 1/4W	144621
R25	RES MF 324 OHM 1% 1/4W	144597
R26	RES MF 324 OHM 1% 1/4W	144597
R27	RES MF 3.79K .5% 1/4W	144711
R28	RES MF 6.49K .5% 1/4W	144617
R29	RES MF 221 OHM 1% 1/4W	144559
R30	RES WW 2 OHM 10% 5W	139253
R31	RES WW 4 OHM 5% 5W	139248
R32	RES FP 22 OHM 5% 1/4W	137111
R33	RES FP 22 OHM 5% 1/4W	137111
R34	RES MF 324 OHM 1% 1/4W	144597
R35	RES MF 324 OHM 1% 1/4W	144597
R36	RES WW 0.1 OHM 5% 1W	144697
R37	RES MF 22.1K 1% 1/4W	144564
R39	RES MF 22.1K 1% 1/4W	144564
R40	RES MET OX 680 OHM 5% 1/2W	137099
R41	RES MET OX 680 OHM 5% 1/2W	137099
R42	RES MF 1.82K 1% 1/4W	144582
R43	RES MET OX 430 OHM 5% 1/2W	137101
R44	POT TRIM 200 OHM 20% HORIZ AD	134506
R45	RES MF 1.82K 1% 1/4W	144582
R46	RES MET OX 47 OHM 5% 1/2W	137102
R47	RES WW DUAL .47 OHM 5% 5W	139252
R48	RES WW DUAL .47 OHM 5% 5W	139252
R49	RES WW DUAL .47 OHM 5% 5W	139252
R50	RES WW DUAL .47 OHM 5% 5W	139252
R51	RES WW DUAL .47 OHM 5% 5W	139252
R52	RES MF 1K 1% 1/4W	144513
R53	RES MF 1K 1% 1/4W	144513
R54	RES WW DUAL .47 OHM 5% 5W	139252
RT1	SENSOR THERMAL	144249

3 POWER PCB 749831

C1	CAP POLYPROP .047UF 10% 250VDC	064364
C2	CAP ELECT 10UF 50V	066445
C5	CAP ELECT 22UF 100V	066574
C6	CAP ELECT 3300UF 35V	066509
C7	CAP ELECT 3300UF 35V	066509
C8	CAP ELECT 4.7UF 50V	066512
C9	CAP ELECT 10UF 100VDC	066462
D1	DIODE RECTIFIER	070175
D2	DIODE RECTIFIER	070175
D3	DIODE RECTIFIER	070175
D4	DIODE RECTIFIER	070175
D5	DIODE RECTIFIER	070175
D6	DIODE RECTIFIER	070175
D7	DIODE SILICON	070174
HS1	HEATSINK T0220	080014
HS2	HEATSINK T0220	080014
J1	BLADE FASTON W/FEET	117708
J2	BLADE FASTON W/FEET	117708

PARTS LIST cont'd

POWER PCB 749831 (Cont'd.)

Ref. No.	Description	Part No.
J3	BLADE FASTON W/FEET	117708
J4	BLADE FASTON W/FEET	117708
J5	BLADE FASTON W/FEET	117708
J6	BLADE FASTON W/FEET	117708
J9	BLADE FASTON W/FEET	117708
J7	CONN MALE 7 PIN	117217
J8	CONN 4 PIN	117215
J10	CONN 4 PIN	117215
J13	BLADE FASTON W/FEET	117708
J11	CONN HEADER 2 PIN 0.156	117404
J12	CONN HEADER 2 PIN 0.156	117404
J14	CONN MALE 9 POS FRICTION LOCK	117244
J15	CONN MALE 9 POS FRICTION LOCK	117244
J16	CONN MALE 9 POS FRICTION LOCK	117244
J17	BLADE FASTON W/FEET	117708
J18	BLADE FASTON W/FEET	117708
K1	RELAY 48VDC TV-F	087080
PCB1	PC BD POWER SUPPLY	129660
Q1	TRIAC OPTOCOUPLER	131024
Q2	TRANSISTOR NPN SILICON	132317
Q3	TRANSISTOR PNP SILICON	132304
Q4	TRANSISTOR NPN SILICON	132317
Q5	TRANSISTOR PNP SILICON	132304
Q6	TRANSISTOR P CHAN JUNCTION FET	132320
Q7	TRANSISTOR PNP SILICON	132304
U2	IC REGULATOR -15V	133588
U1	IC REGULATOR 15V	133589
R1	RES MF 33.2K 1% 1/4W	144694
R2	RES MF 33.2K 1% 1/4W	144694
R3	RES MF 2.74M 1% 1/4W	144578
R4	RES WW 1.5K 5% 5W	139247
R5	RES MF 1.1K 1% 1/4W	144514
R6	RES MF 22.1K 1% 1/4W	144564
R7	RES MF 1M 1% 1/4W	144577
R8	RES MF 12.1K 1% 1/4W	144550
R9	RES MF 2.1K 1% 1/4W	144585
R10	RES MF 12.1K 1% 1/4W	144550
R11	RES MF 3.32K 1% 1/4W	144518
R12	RES MF 20K 1% 1/4W	144524
R13	RES MF 2.1K 1% 1/4W	144585
R14	RES MF 150K 1% 1/4W	144627
R15	RES WW 2.7 OHM 10% 2W FP	139259
R16	RES WW 2.7 OHM 10% 2W FP	139259
SP1	BRACKET PCB CARD MOUNTING	003611
SP2	BRACKET PCB CARD MOUNTING	003611
SP4	BRACKET PCB CARD MOUNTING	003611
SP32	BRACKET PCB CARD MOUNTING	003611
T1	TRANSFORMER CURRENT	159353
	SCR MS 6-32 X 3/16 SEMS PH PN	400348

INPUT PCB 749829

C1	CAP ELECT 10UF 50V	066445
C2	CAP ELECT 10UF 50V	066445
C3	CAP MONO .1UF 50V 20% Z5U	061346
C4	CAP MONO 47PF 200V 10% NPO	061340
C5	CAP MONO 22PF 200V 10% NPO	061339
C6	CAP MONO 22PF 200V 10% NPO	061339

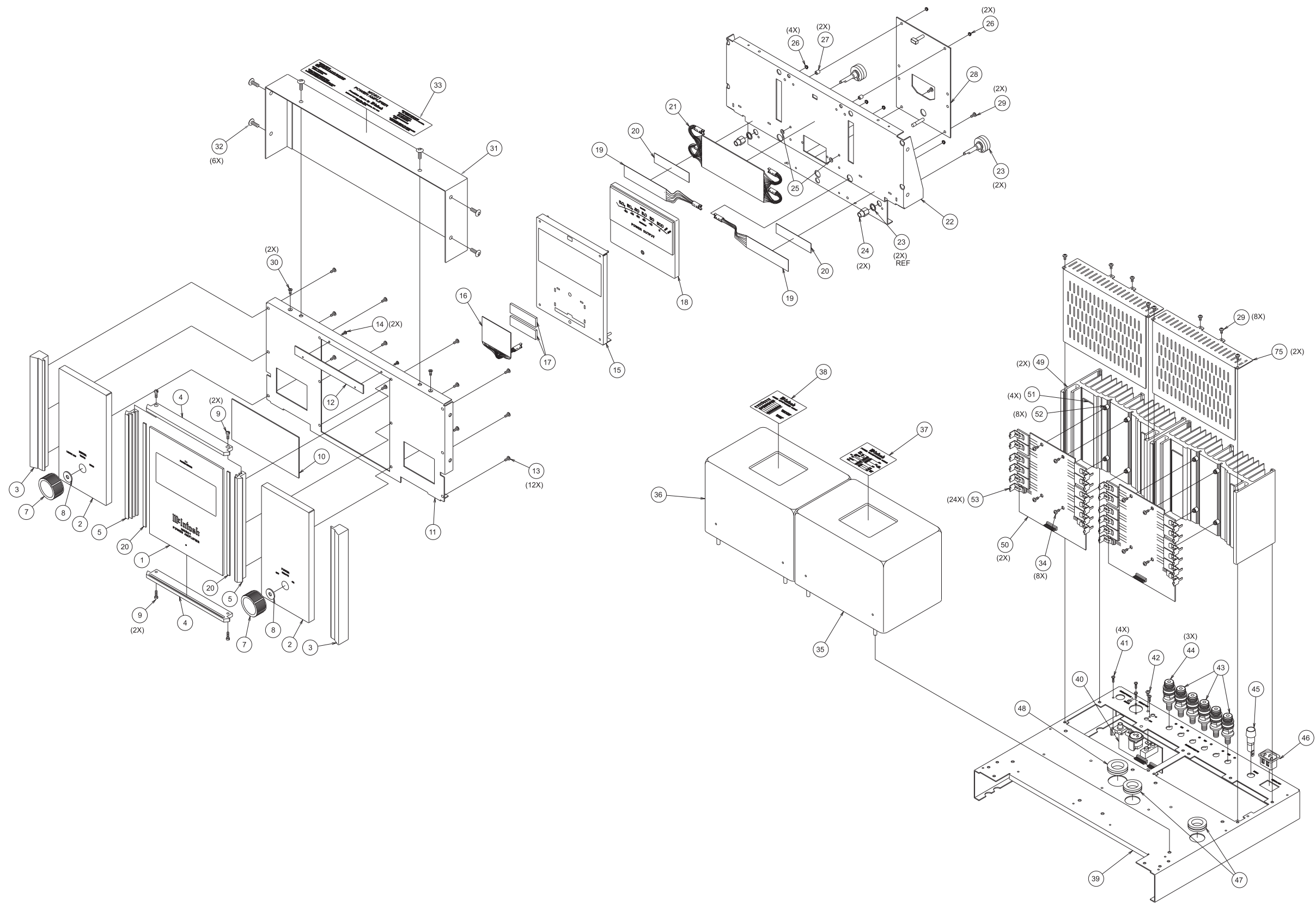
Ref. No.	Description	Part No.
C7	CAP MPF 0.22UF 5% 63VDC	064329
C8	CAP ELECT 10UF 50V	066445
C9	CAP MONO .1UF 50V 20% Z5U	061346
C10	CAP MONO .1UF 50V 20% Z5U	061346
C11	CAP MPF 0.022UF 5% 63VDC	064316
J1	CONN XLR FEM HORIZ PCB LATCH	117814
J2	JACK RCA 1P RED	117706
J3	JACK HEADPHONE DUAL BLACK 1/8"	117825
J5	CONN MALE 9 POS FRICTION LOCK	117244
J6	CONN MALE 9 POS FRICTION LOCK	117244
PCB1	PC BD INPUT	129658
R1	RES MF 100 OHM 1% 1/4W	144568
R2	RES MF 174K 1% 1/4W	144601
R3	RES MF 174K 1% 1/4W	144601
R4	RES MF 68.1 OHM 1% 1/4W	144507
R5	RES MF 10K 1% 1/4W	144504
R6	RES MF 10K 1% 1/4W	144504
R7	RES MF 10K 1% 1/4W	144504
R8	RES MF 1M 1% 1/4W	144577
R9	RES MF 1.5K 1% 1/4W	144539
R10	RES MF 1.5K 1% 1/4W	144539
R11	RES MF 20K 1% 1/4W	144524
R12	RES MF 10 OHM 1% 1/4W	144553
R13	RES MF 10 OHM 1% 1/4W	144553
S1	SWITCH SLIDE DPDT	148076
SP1	BRACKET PCB CARD MOUNTING	003611
U1	IC OPERATIONAL AMP LOW NOISE	133565
U3	IC REGULATOR +5V	133568
U2	IC NAND SCHMIT 2-IN X 4	133595
	SCR MS 6-32X1/4 SEMS PH PN CLR	400250
	NUT KEP 6-32 SPECIAL	402045

METER/LIGHTS PCB 749830

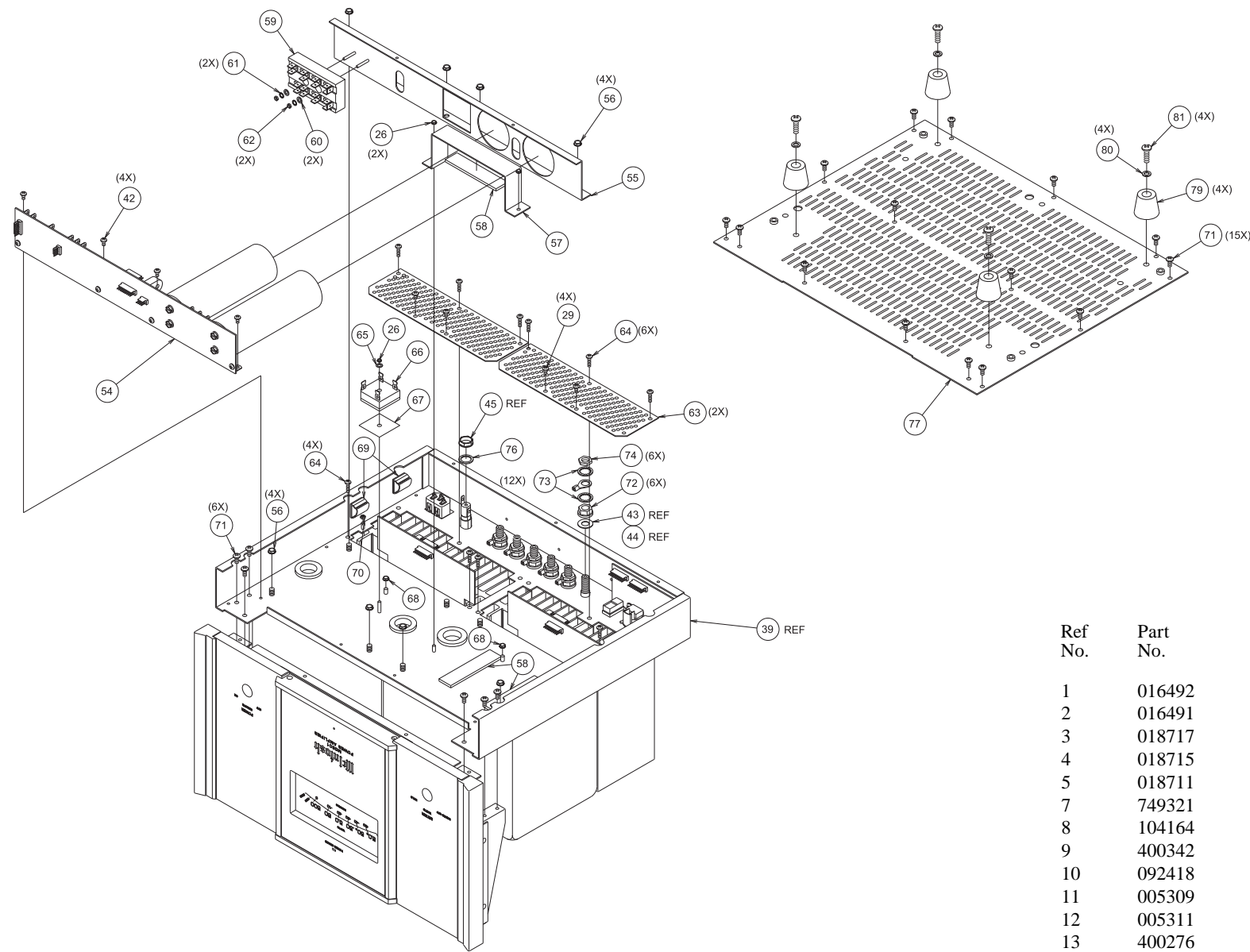
	SPACER LED 3/4" LONG	017927
C1	CAP MONO .1UF 50V 20% Z5U	061346
C2	CAP ELECT 1000UF 25V	066513
C3	CAP MONO .1UF 50V 20% Z5U	061346
C4	CAP MONO .1UF 50V 20% Z5U	061346
C5	CAP MONO .1UF 50V 20% Z5U	061346
C6	CAP MPF 1UF 5% 63VDC	064337
C7	CAP MPF 0.22UF 5% 63VDC	064329
D1	DIODE ZENER 8.2V 1/2W	070130
D2	DIODE SILICON	070174
D3	DIODE SILICON	070174
D4	DIODE SILICON	070174
D5	DIODE SILICON	070174
D6	DIODE SILICON	070174
D7	DIODE SILICON	070174
D8	DIODE SILICON	070174
D9	LED AMBER	058133
DS1	LED BLU 5MM HI-INTENSITY	058166
(DS1)	SPACER LED	112108
DS2	LED GRN 5MM HI-INTENSITY	058165
(DS2)	SPACER LED	112108
DS3	LED BLU 5MM HI-INTENSITY	058166
(DS3)	SPACER LED	112108
DS4	LED GRN 5MM HI-INTENSITY	058165

Ref. No.	Description	Part No.
(DS4)	SPACER LED	112108
DS5	LED GRN 5MM HI-INTENSITY	058165
(DS5)	SPACER LED	112108
DS6	LED GRN 5MM HI-INTENSITY	058165
(DS6)	SPACER LED	112108
DS7	LED GRN 5MM HI-INTENSITY	058165
(DS7)	SPACER LED	112108
DS8	LED RED HIGH EFFICIENCY	058148
D10	DIODE SILICON	070174
D11	DIODE SILICON	070174
D12	DIODE SILICON	070174
J1	CONN MALE 9 POS FRICTION LOCK	117244
J2	CONN 4 PIN	117215
J3	CONN 3 POS MALE MTS100 NORMAL	117214
J4	HEADER 2 PIN LATCHING	117766
J5	CONN 4 PIN	117215
Q1	TRANSISTOR NPN SILICON	132317
Q2	TRANSISTOR NPN SILICON	132317
Q3	TRANSISTOR NPN SILICON	132317
Q4	TRANSISTOR NPN SILICON	132317
Q5	TRANSISTOR NPN SILICON	132317
Q6	TRANSISTOR PNP	132254
Q7	TRANSISTOR PNP	132254
U1	IC DUAL OPERATIONAL AMPLIFIER	133578
U2	IC DUAL OPERATIONAL AMPLIFIER	133578
R1	RES MF 47.5K 1% 1/4W	144526
R2	RES MF 47.5K 1% 1/4W	144526
R3	RES MF 10K 1% 1/4W	144504
R4	RES MF 10K 1% 1/4W	144504
R5	RES MF 8.25 OHM 1% 1/4W	144558
R6	RES MF 93.1K 1% 1/4W	144625
R7	RES MF 7.5K 1% 1/4W	144571
R8	RES MF 12.1K 1% 1/4W	144550
R9	RES MF 221K 1% 1/4W	144629
R10	RES MF 150K 1% 1/4W	144627
R11	RES MF 4.75K 1% 1/4W	144520
R12	RES MF 200K 1% 1/4W	144531
R13	RES MF 681 OHM 1% 1/4W	144567
R14	RES MF 18.2K 1% 1/4W	144563
R15	RES MF 22.1K 1% 1/4W	144564
R16	RES MF 10M 1% 1/4W	144575
R17	RES MF 150K 1% 1/4W	144627
R18	RES MF 12.1K 1% 1/4W	144550
R19	RES MF 4.75K 1% 1/4W	144520
R20	POT TRIM 2K OHM 20%	134507
R21	POT TRIM 2K OHM 20%	134507
R22	POT TRIM 100K OHM 20%	134504
R23	RES MF 365 OHM 1% 1/4W	144505
R24	RES MF 365 OHM 1% 1/4W	144505
R26	RES MF 12.1K 1% 1/4W	144550
R29	RES MF 806 OHM 1% 1/4W	144512
R30	RES MF 200K 1% 1/4W	144531
R31	RES MF 4.75K 1% 1/4W	144520
R25	RES MF 100 OHM 1% 1/4W	144568
R27	RES MF 2.74M 1% 1/4W	144578
R28	RES MF 562 OHM 1% 1/4W	144622
	PC BD METER	129659

EXPLODED VIEW



EXPLODED VIEW con't and PARTS LIST



Ref No.	Part No.	Description
1	016492	CENTER GLASS PLATE
2	016491	GLASS PANEL W/HOLE
3	018717	END CAP
4	018715	TOP/BOTTOM END CAP
5	018711	CENTER EXTRUSION
7	749321	ASSY KNOB
8	104164	WASHER FELT BLK 1 X 1/4 X 1/16
9	400342	SCREW 6-32 X 3/8 FILLISTER HD
10	092418	FILTER BLUE DISPLAY
11	005309	GLASS PANEL PLATE
12	005311	GAP PLATE
13	400276	SCREW MACH SEM 6-32 X 5/16 PH PN
14	401074	SCREW TAPPING 4-40 X 1/4 PH PN
15	005788	METER CLAMP
16	017913	LOGO BACKLIGHT
17	094430	FOAM TAPE 1/8" THK
18	124093	METER
19	163026	LOGO PUSHBUTTON BACKLIGHT
20	094274	TAPE ADHESIVE
21	163037	BACKLIGHT METER 2.8 X 6.1
22	005306	SUBPANEL
23	146243	SWITCH POWER
24	021159	BUSHING SWITCH
25	104138	WASHER FIBER .150ID X .312OD
26	402045	KEP NUT 6-32 SPECIAL
27	021030	SPACER 6 X 1/4
28	749830	ASSY METER PCB
29	401054	SCREW TAPTITE 6-32 X 1/4 PH PN BLK
30	401172	SCREW TC 6-32 X 1/4 PH FL U/C
31	005291	DUST COVER
32	400200	SCREW MACH 10-32 X 1/2 TRUSS HD
33	126937	DECAL TOP COVER
34	401059	SCREW SM 6-18 X 5/8 PH PN TYPE A
35	749846	POTTED TRANSFORMER POWER
36	749847	POTTED TRANSFORMER OUTPUT
37	166131	DECAL POWER TRANSFORMER
38	166130	DECAL OUTPUT TRANSFORMER
39	005305	CHASSIS
40	749829	ASSY INPUT PCB
41	101197	SCREW HI/LO 4-24 X 3/8 PH HD BLK
42	400250	SCREW MACH SEMS 6-32 X 1/4 PH PN
43	117938	POST BINDING BLACK
44	117937	POST BINDING RED
45	178161	HOLDER FUSE
46	117487	RECEPTACLE AC LINE
47	078024	GROMMET RUBBER 1" ID
48	078025	GROMMET RUBBER 3/4" ID
49	018690	HEATSINK
50	749828	ASSY DRIVER/HEATSINK PCB
51	084206	ISOSTRATE
52	112087	SPACER PCB 1/4
53	414141	CLIP RIGHT ANGLE
54	749831	ASSY POWER SUPPLY PCB
55	005307	SUPPORT BRACKET
56	102006	NUT MACH 10-32 W/LOCK
57	005308	CAPACITOR STRAP
58	094391	TAPE FOAM 1/8 X 3/4
59	074091	TERMINAL BLOCK AC
60	404001	WASHER FLAT
61	404004	WASHER LOCK 2.5mm INT STAR
62	402022	NUT MACH 4-40 X 3/16 X 1/16
63	005240	HEATSINK VENT
64	401176	SCREW TC 6-32 X 1/2 PH PN BLK
65	404005	WASHER FLAT STEEL
66	070181	DIODE BRIDGE RECTIFIER
67	084135	PAD THERMAL
68	402005	NUT MACH 8-32 W/LOCK
69	017452	KLIP WIRE
70	402003	NUT 6-32 SELF LOCK
71	401078	SCREW TAP 8-32 X 5/16 PH PN BLK
72	102052	NUT GOLD SUPPLIED W/117758
73	104162	WASHER LOCK INTERNAL TOOTH
74	102051	NUT HEX M9 X .75 GOLD PLATED
75	005235	HEATSINK COVER
76	404016	WASHER INT STAR .5 X .630 X .022
77	005635	BOTTOM COVER
79	017218	FOOT PLASTIC BLACK
80	404033	WASHER FLAT #10 CLEAR
81	400159	SCREW MACH 10-32 X 3/4 PH PN BLK

REPACKING INSTRUCTIONS

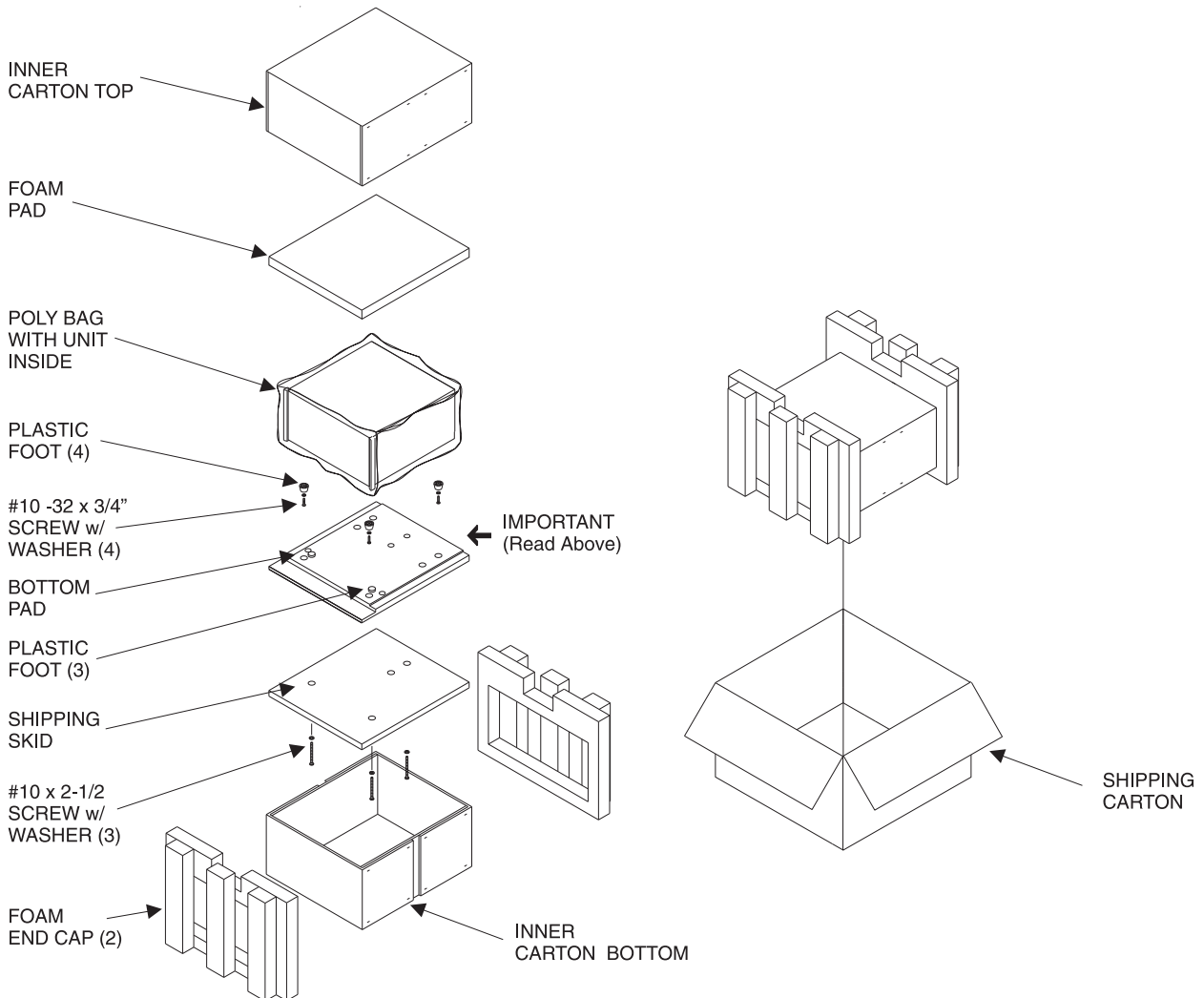
In the event it is necessary to repack the unit for shipment, the unit must be packed exactly as shown below.

IMPORTANT - The four plastic feet must be attached to the bottom of the unit so they will locate in the four holes of the bottom pad. Two #10 x 2-1/4" screws and washers must be used to fasten the unit securely to the bottom pad and wood skid. Failure to do this will result in shipping damage.

If a shipping carton or any of the interior parts is needed, please call or write the Customer Service Department of McIntosh Laboratory. Order parts from the accompanying list by part number.

Use the original shipping carton and interior parts only if they are in good serviceable condition.

Qty.	Part No.	Description
1	034198	Inner carton top
1	034188	Inner carton foam pad
4	017218	Plastic foot (unit)
1	033739	Poly bag
4	400159	#10-32 x 3/4" Machine screw
4	404080	#10 x 7/16" Flat washer
1	034194	Bottom pad
3	017218	Plastic foot (spacer)
1	033699	Shipping skid
3	401204	#10 x 2-1/2" Wood screw
3	404033	#10 x 1-3/4" Flat washer
2	034250	Foam end caps
1	034256	Shipping carton
1	034199	Inner carton bottom



MC501

POWER AMPLIFIER

SERVICE MANUAL

SERIAL NO. WU1001 And Above



The continuous improvement of its products is the policy of McIntosh Laboratory Incorporated, who reserve the right to improve design without notice. Because of the constant upgrading of McIntosh products' circuitry and components, the Company cannot insure, and does not warrant, the accuracy of the within schematic material, which is intended for information only.