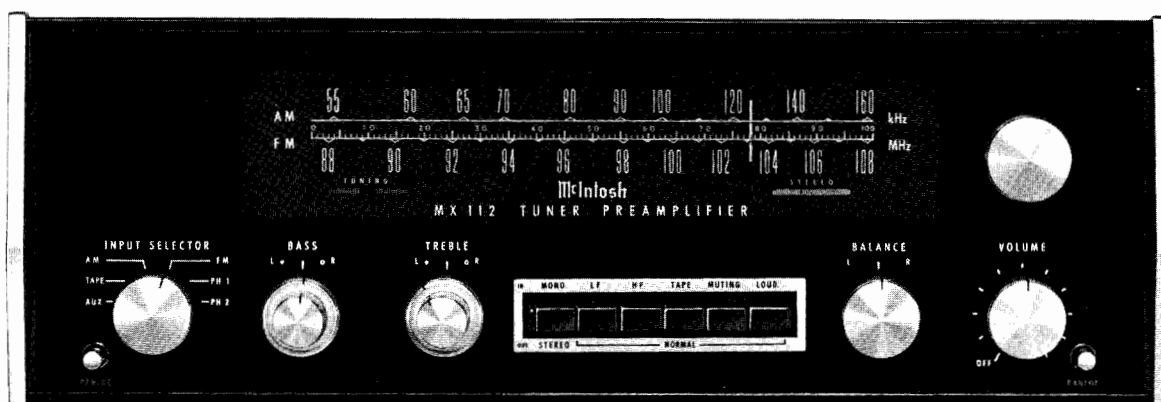


McIntosh

MX 112

FM/AM TUNER PREAMP



SERVICE INFORMATION

STARTING WITH SERIAL NO. 40500

McINTOSH LABORATORY INC. 2 CHAMBERS STREET BINGHAMTON, NEW YORK

MX 112

ELECTRICAL SPECIFICATIONS

FM TUNER SECTION

USABLE SENSITIVITY

Better than 2.5 μ F (IHF usable sensitivity)

SIGNAL TO NOISE RATIO

Better than 65dB

HARMONIC DISTORTION

Mono, less than 0.5%. Stereo, less than 0.8%.

FREQUENCY RESPONSE

Flat from 20Hz to 20kHz with standard de-emphasis and 19kHz pilot filter

CAPTURE RATIO

Better than 1.5dB

SPURIOUS REJECTION

90dB or greater

IMAGE REJECTION

75dB or greater (at 100MHz)

STEREO SEPARATION

Better than 30dB at 1kHz

AM TUNER SECTION

SENSITIVITY

Better than 12 μ V at 1000kHz (using external antenna input)

SIGNAL TO NOISE RATIO

Better than 55dB

HARMONIC DISTORTION

Less than 1% at 30% modulation

FREQUENCY RESPONSE

Down 6dB at 5kHz

SELECTIVITY

10kHz at -6dB

IMAGE REJECTION

60dB or greater at 1000kHz

PREAMPLIFIER SECTION

FREQUENCY RESPONSE

\pm 0.5dB, 20Hz to 20,000Hz

DISTORTION

Less than 0.1% at 2.5 volts 20Hz to 20kHz

INPUT SENSITIVITY (phono 1 and phono 2)

2 millivolts for 2.5 volts output at 1kHz

INPUT SENSITIVITY (aux, tape)

0.25 volts for 2.5 volts output

HUM AND NOISE (phono 1 and phono 2)

72dB below 10 millivolt input

HUM AND NOISE (aux, tape)

85dB below rated output

OUTPUT (main)

2.5 volts with rated input. Up to 10 volts can be developed without distortion. FM and AM will produce up to 10 volts output at 100% modulation.

OUTPUT (tape)

0.25 volts with rated input. Phono input signal of 10 millivolts produces 1.2 volts output. FM and AM will produce 1 volt output at 100% modulation.

OUTPUT (center channel)

2 volts with rated input to both channels

BASS CONTROL

-18dB to +16dB at 20Hz

TREBLE CONTROL

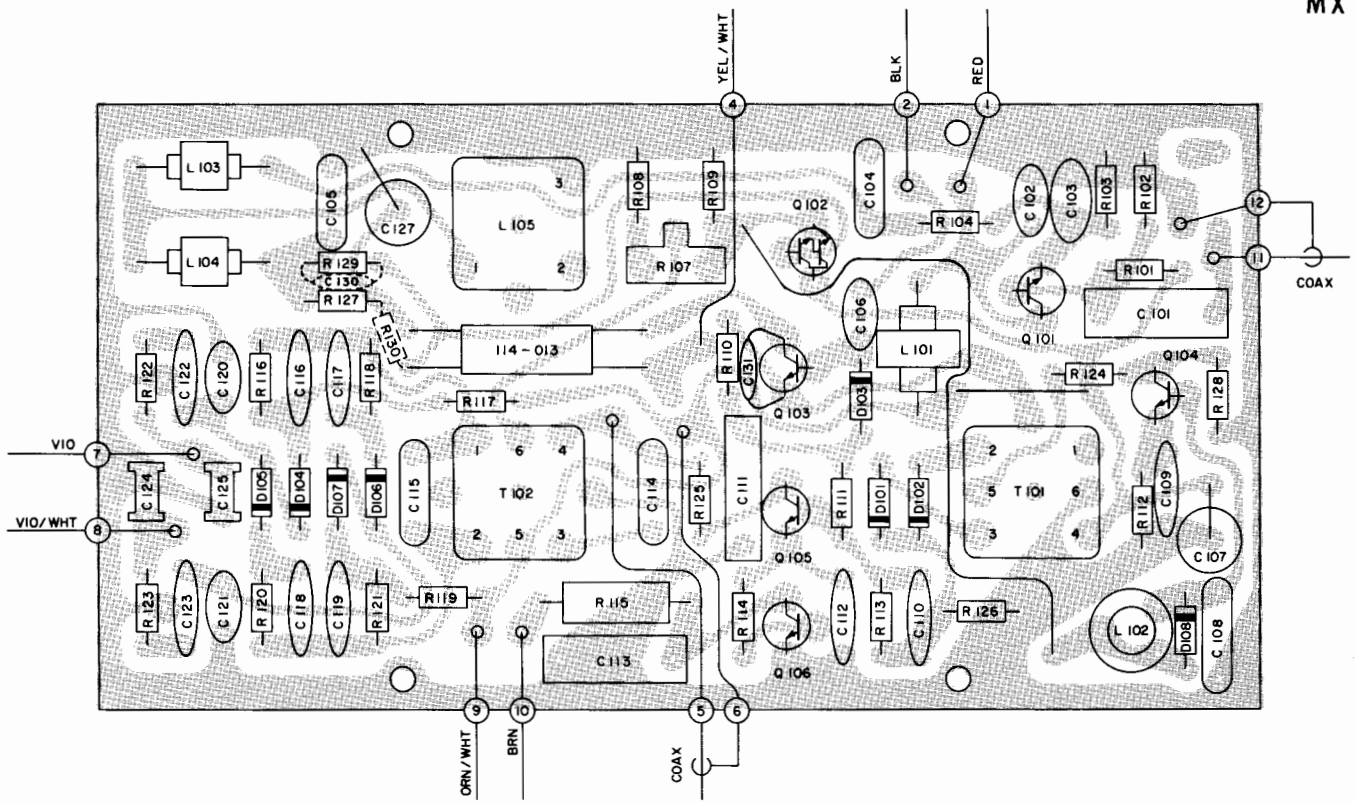
\pm 20dB to 20,000Hz

LF FILTER

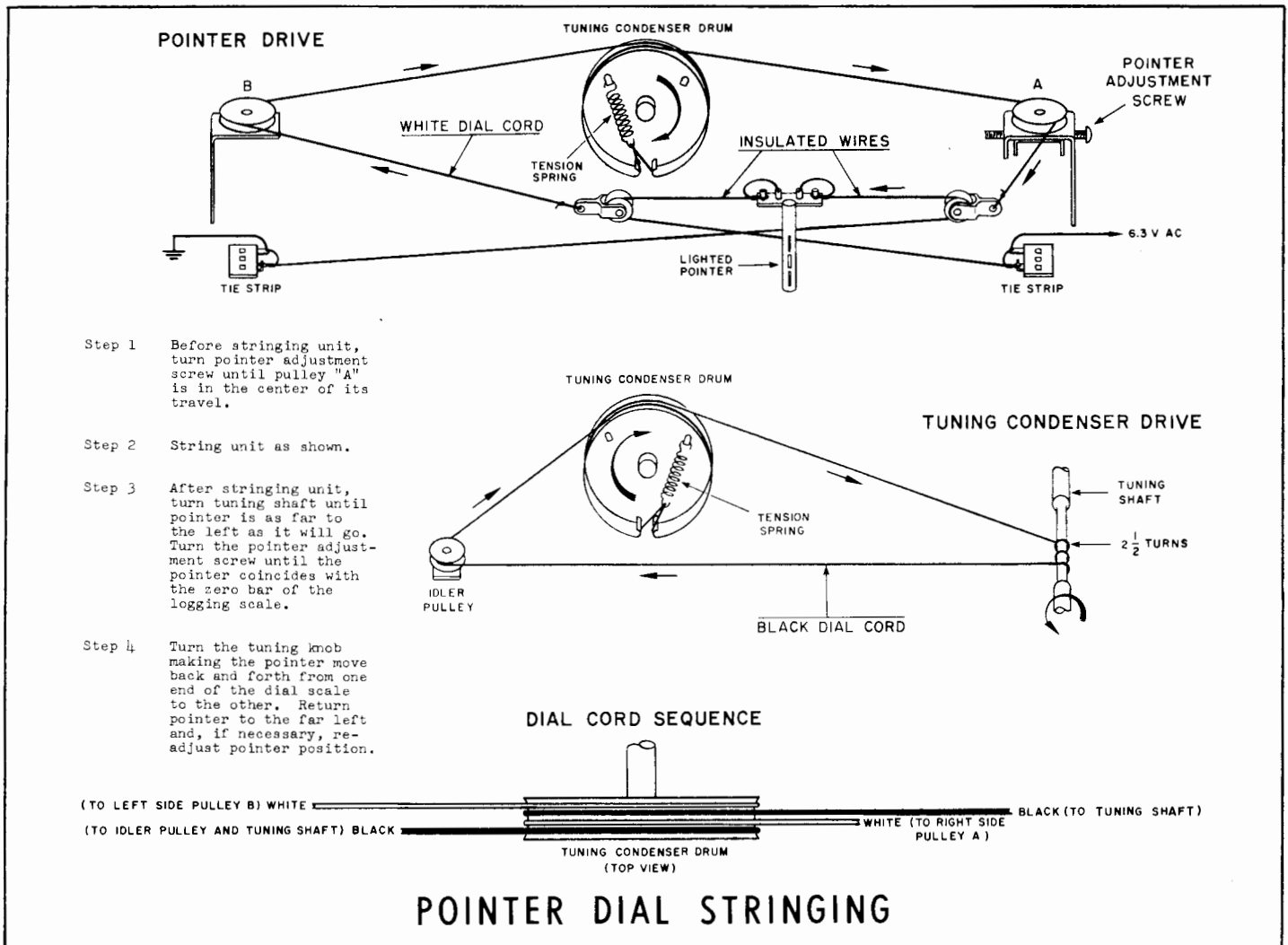
Flat or roll off below 50Hz, down 12dB at 20Hz

HF FILTER

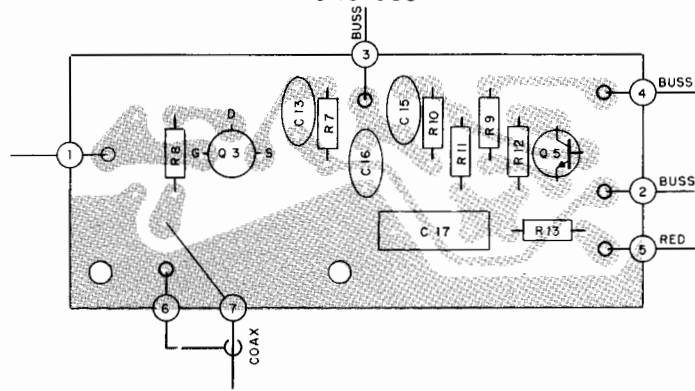
Flat or roll off above 5000Hz, down 12dB at 20,000Hz



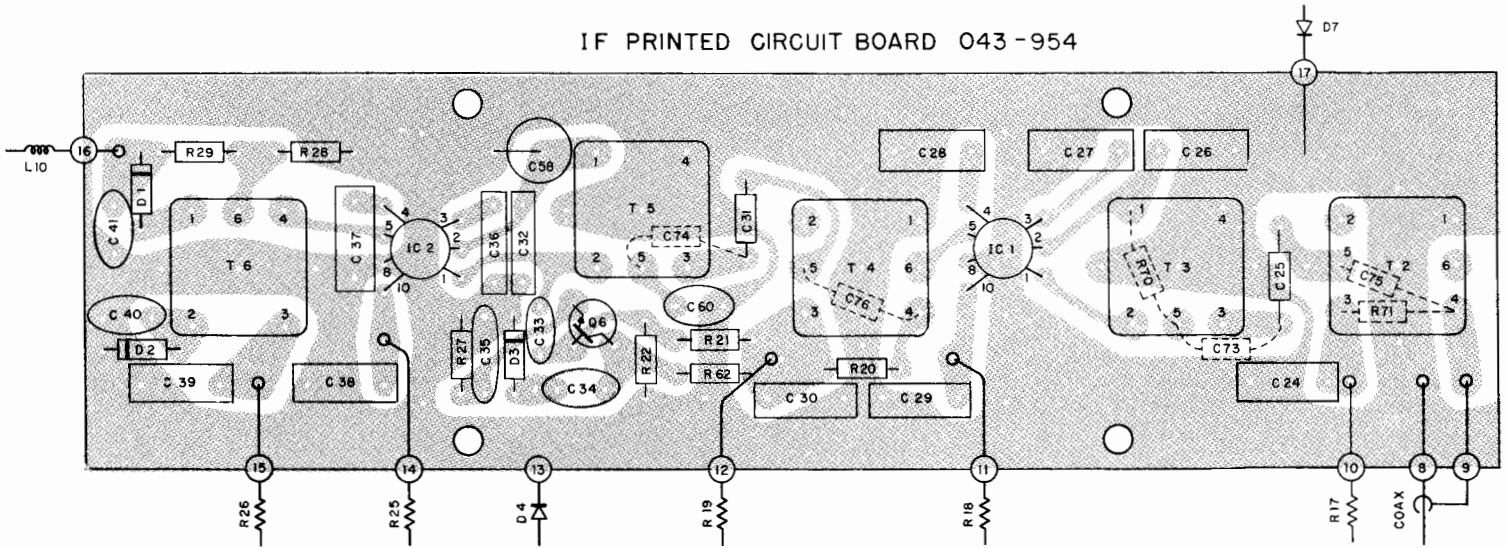
MPX PRINTED CIRCUIT BOARD 043-974



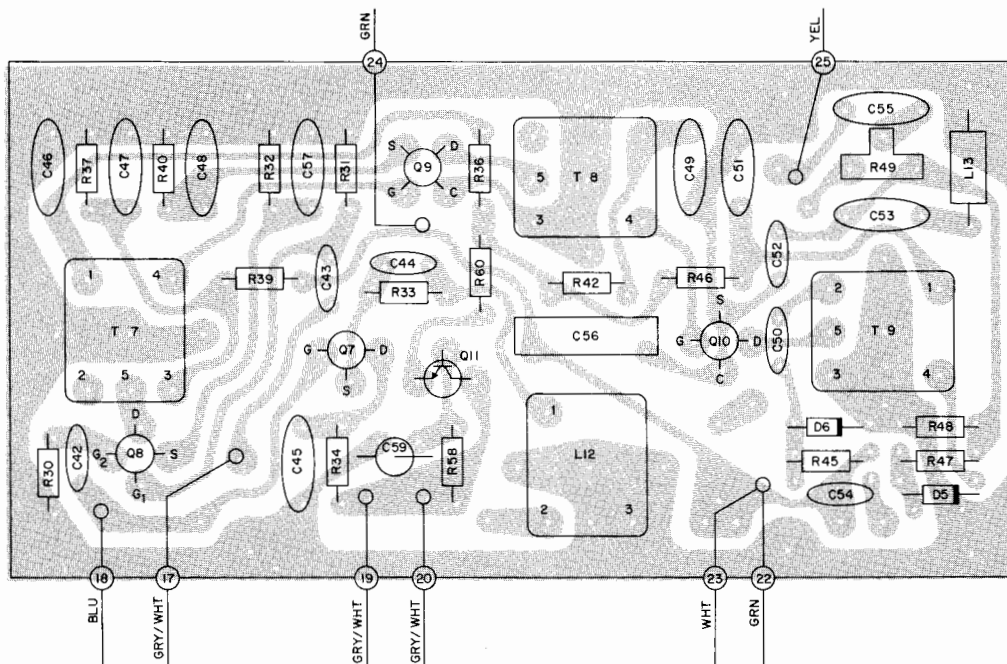
MIXER AND LOCAL OSCILLATOR P.C. BOARD
043-953



IF PRINTED CIRCUIT BOARD 043-954



AM PRINTED CIRCUIT BOARD 044-146

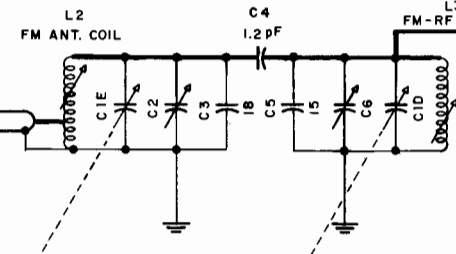
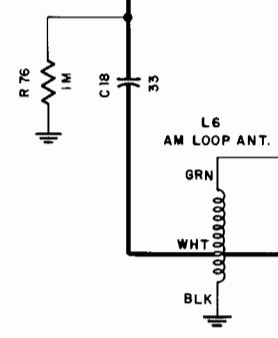
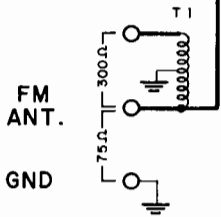


RF CHASSIS

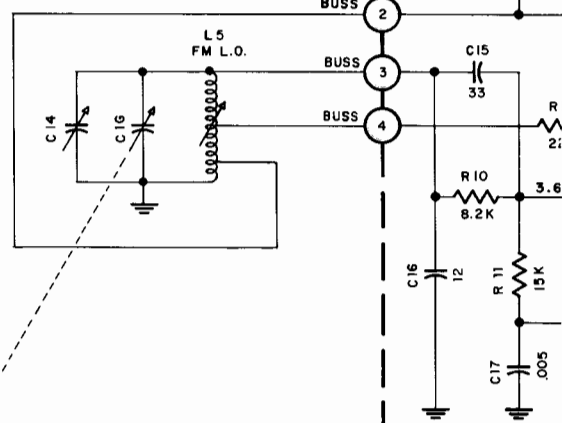
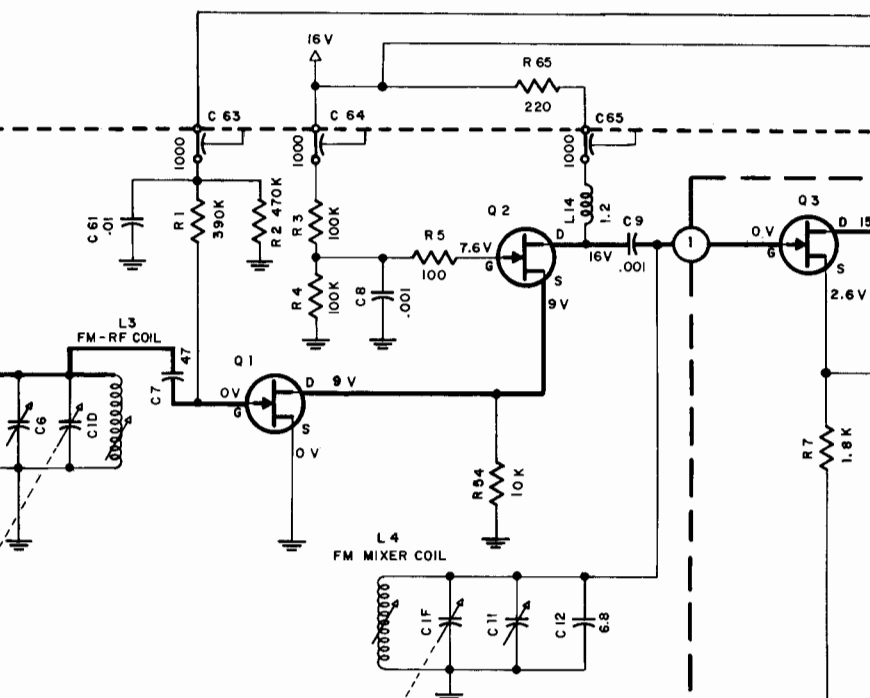
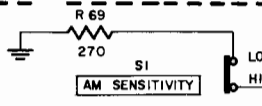
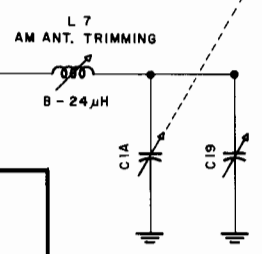
FM ANT.

GND

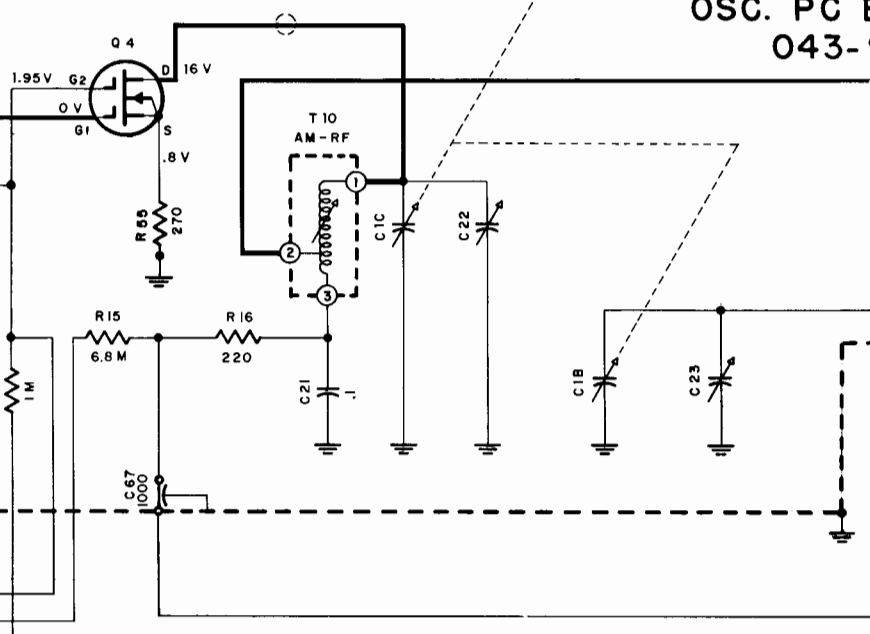
AM ANT.

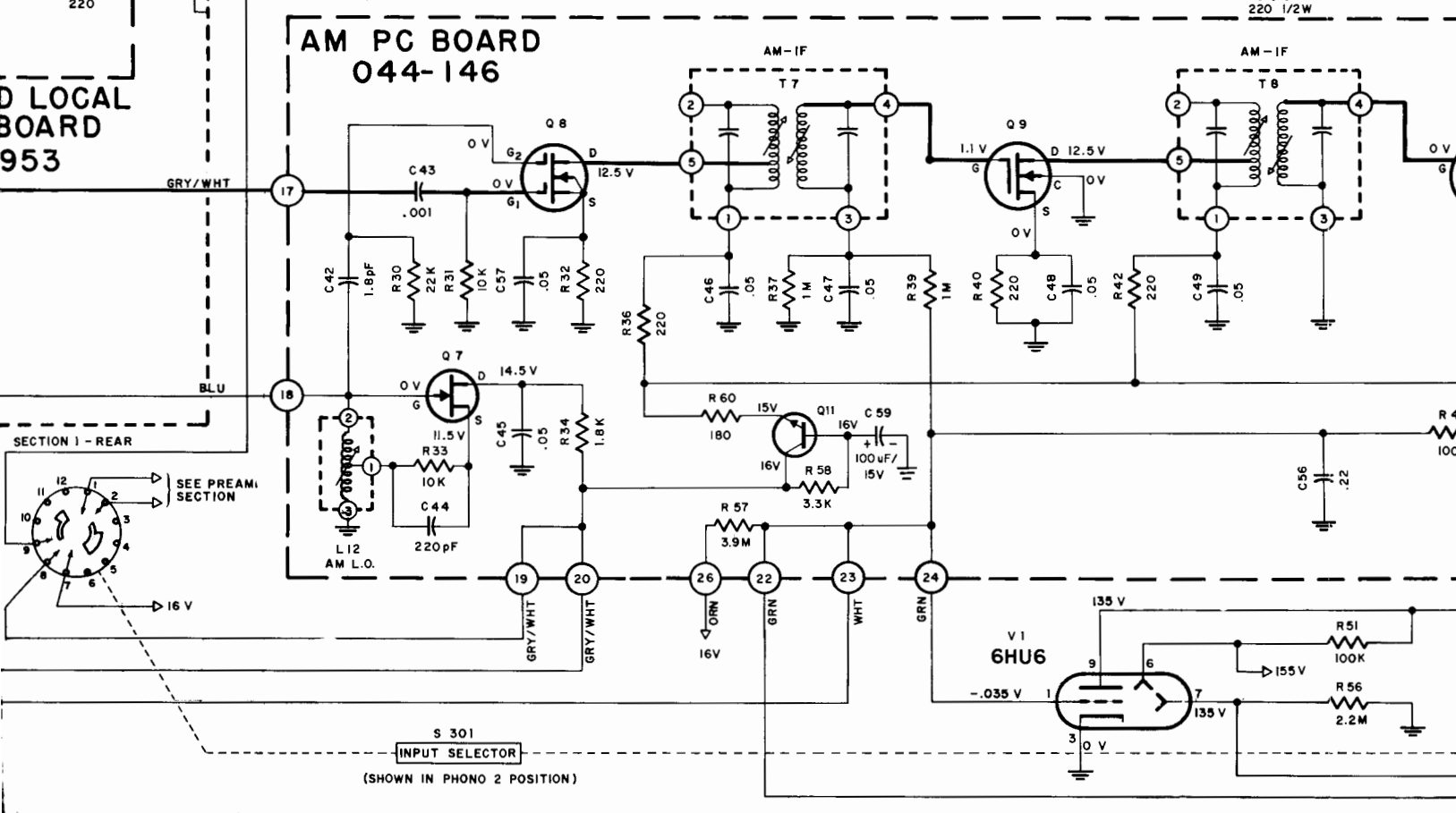
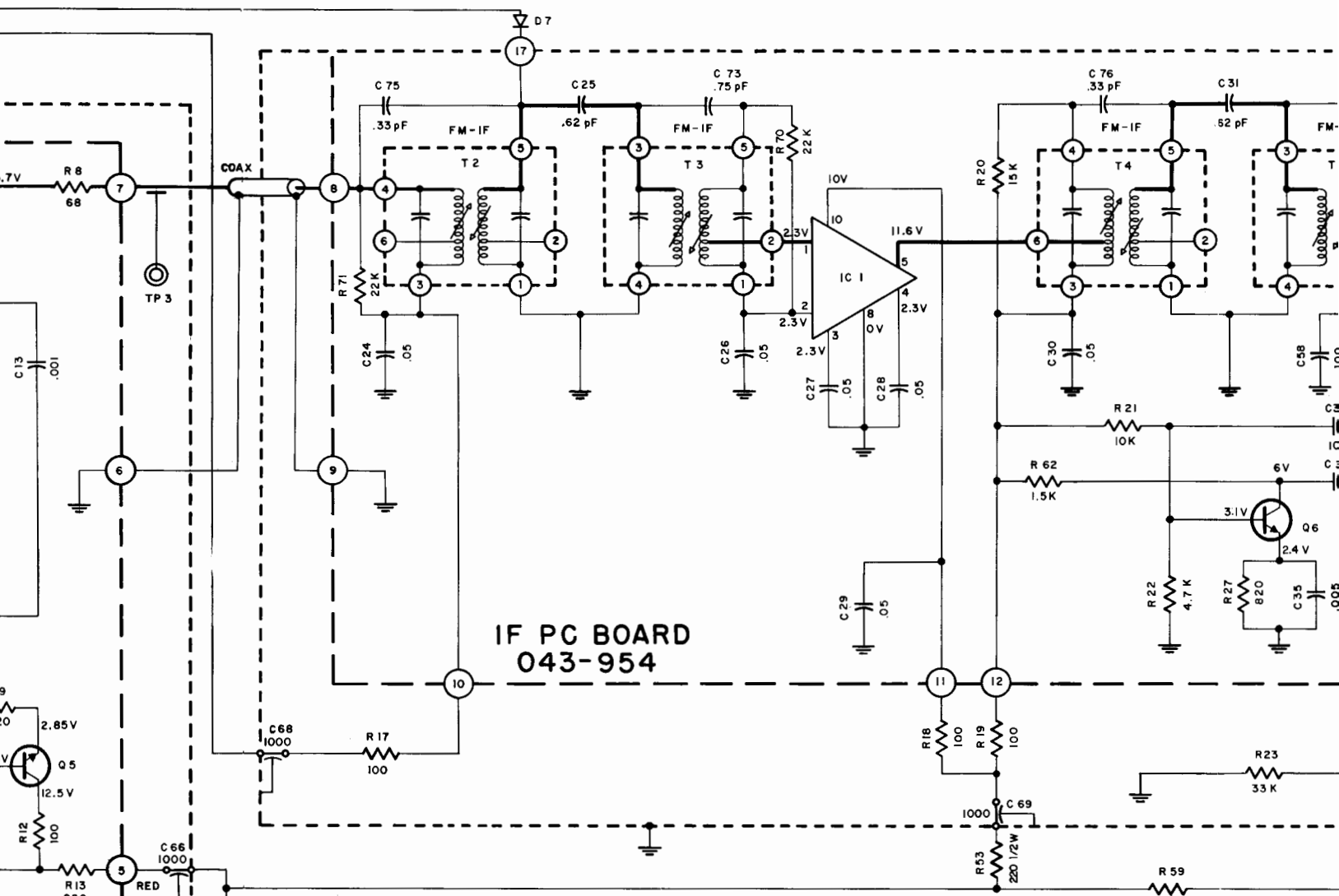


TUNING



MIXER AND OSC. PC BOARD 043-9



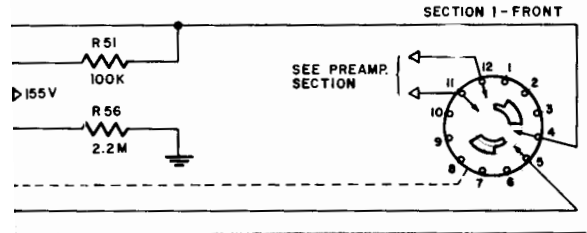
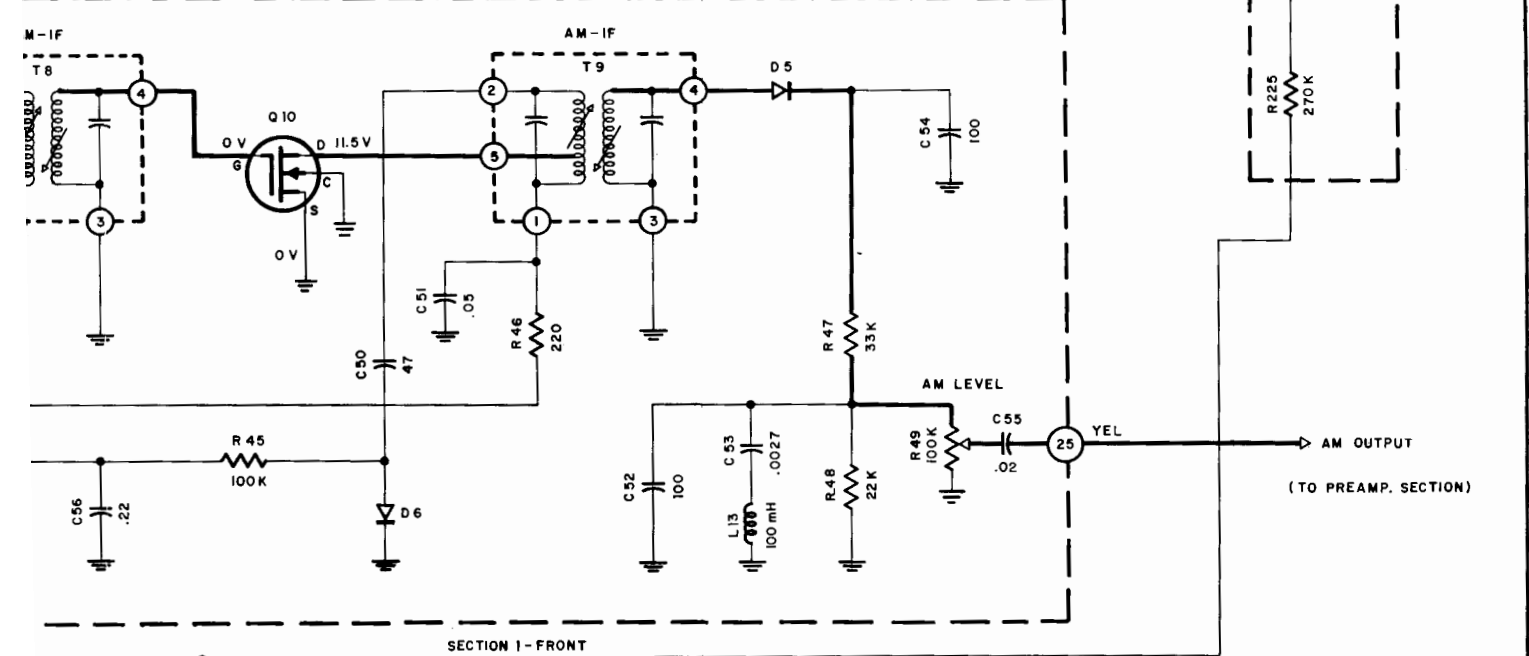
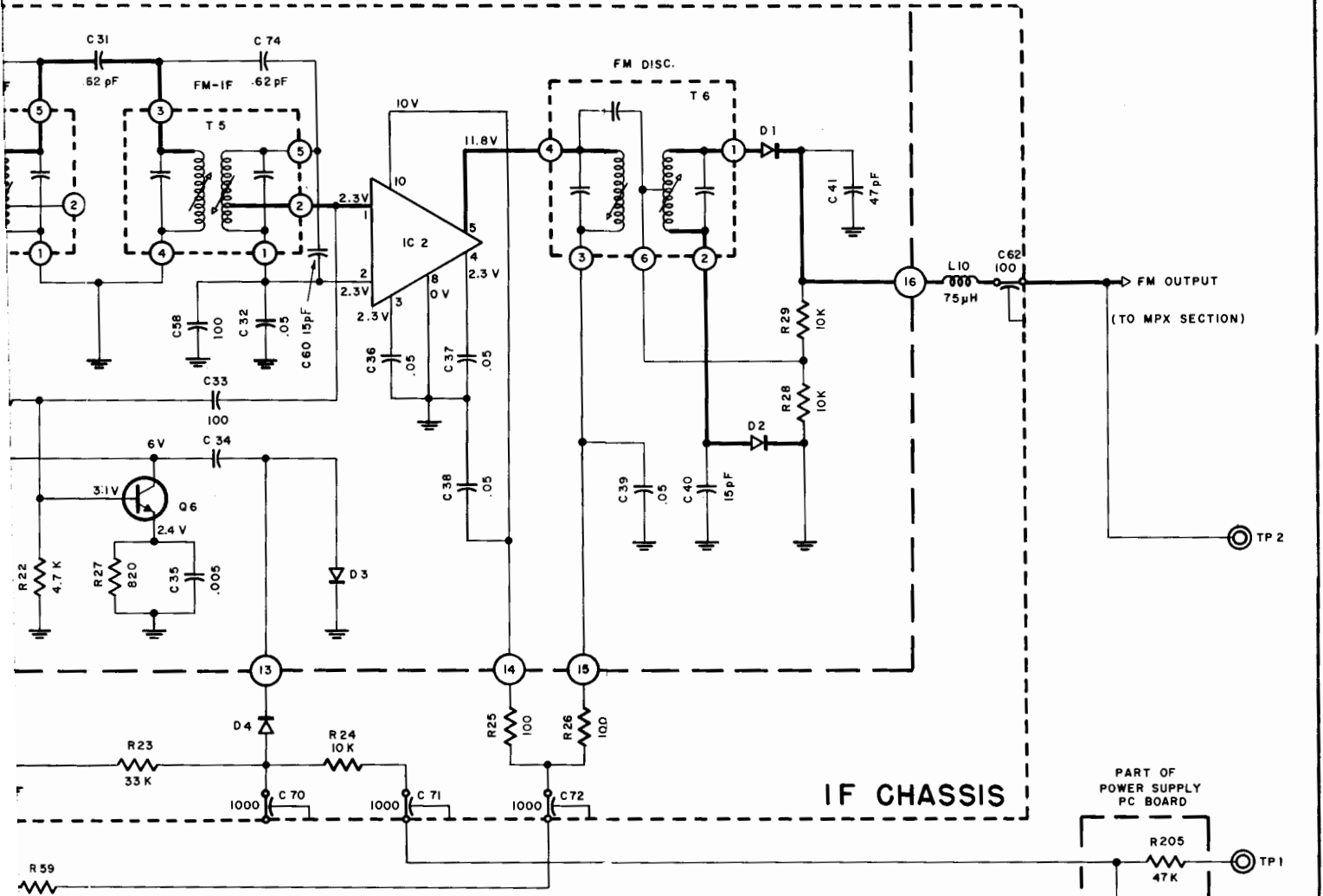


**D LOCAL BOARD
953**

SECTION 1 - REAR
SEE PREAMP SECTION

16V

16V
GRN
WHT
GRN



FM/AM TUNER SECTION
MX 112
154 - 443

SCHEMATIC NOTES

Unless otherwise specified: Resistance values are in ohms, 1/4 watt, and 10% tolerance; capacitance values smaller than 1 are in microfarads (μF); capacitance values greater than 1 are in picofarads (pF); inductors are in microhenries (μH).

Printed circuit board components are outlined on the schematics by dotted lines. The circled numbers around the dotted lines correspond to the numbers on the PC Board layouts.

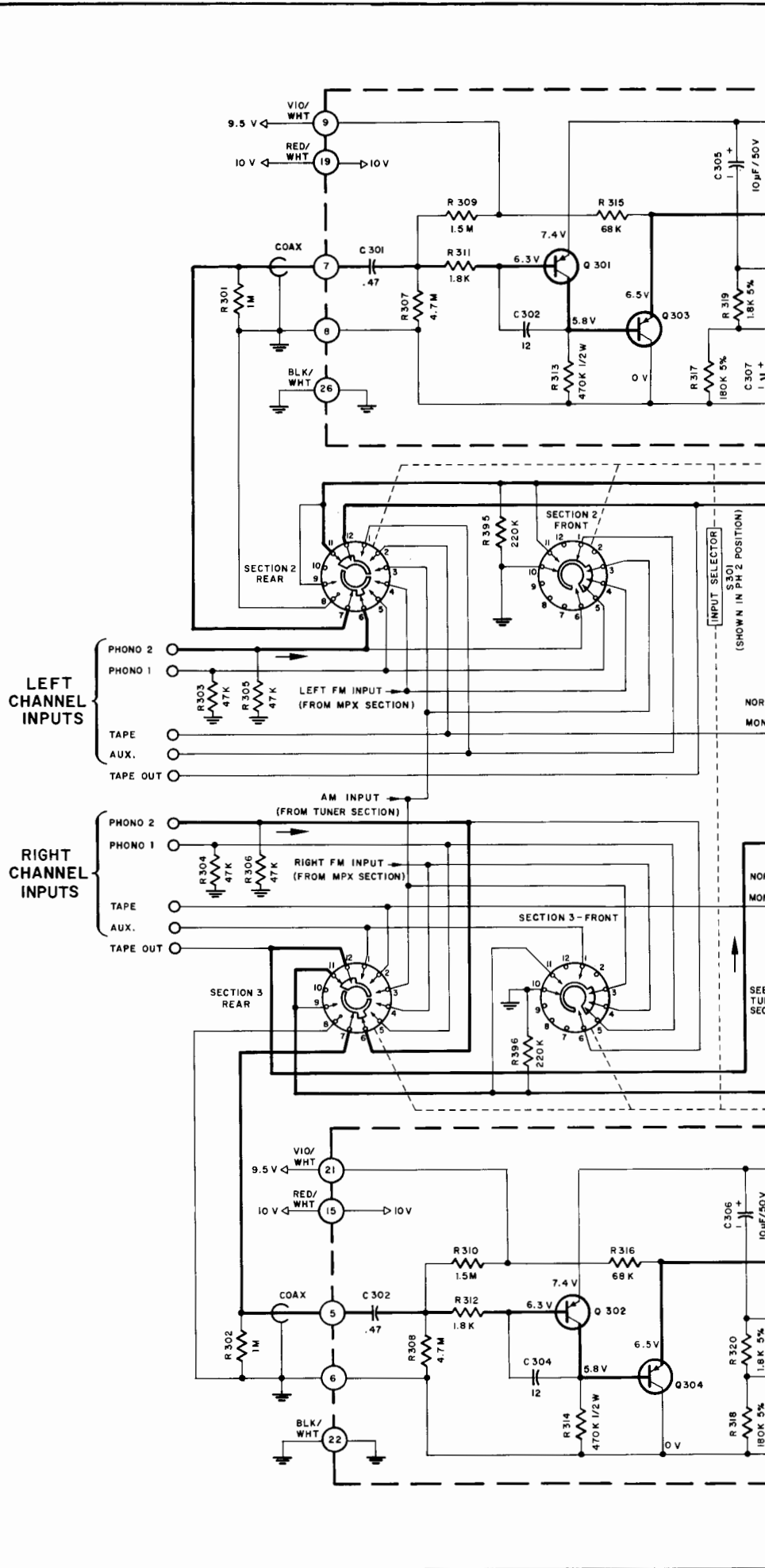
The heavy lines on the schematics denote the primary signal path.

The terminal numbering of rotary switches is for reference only.

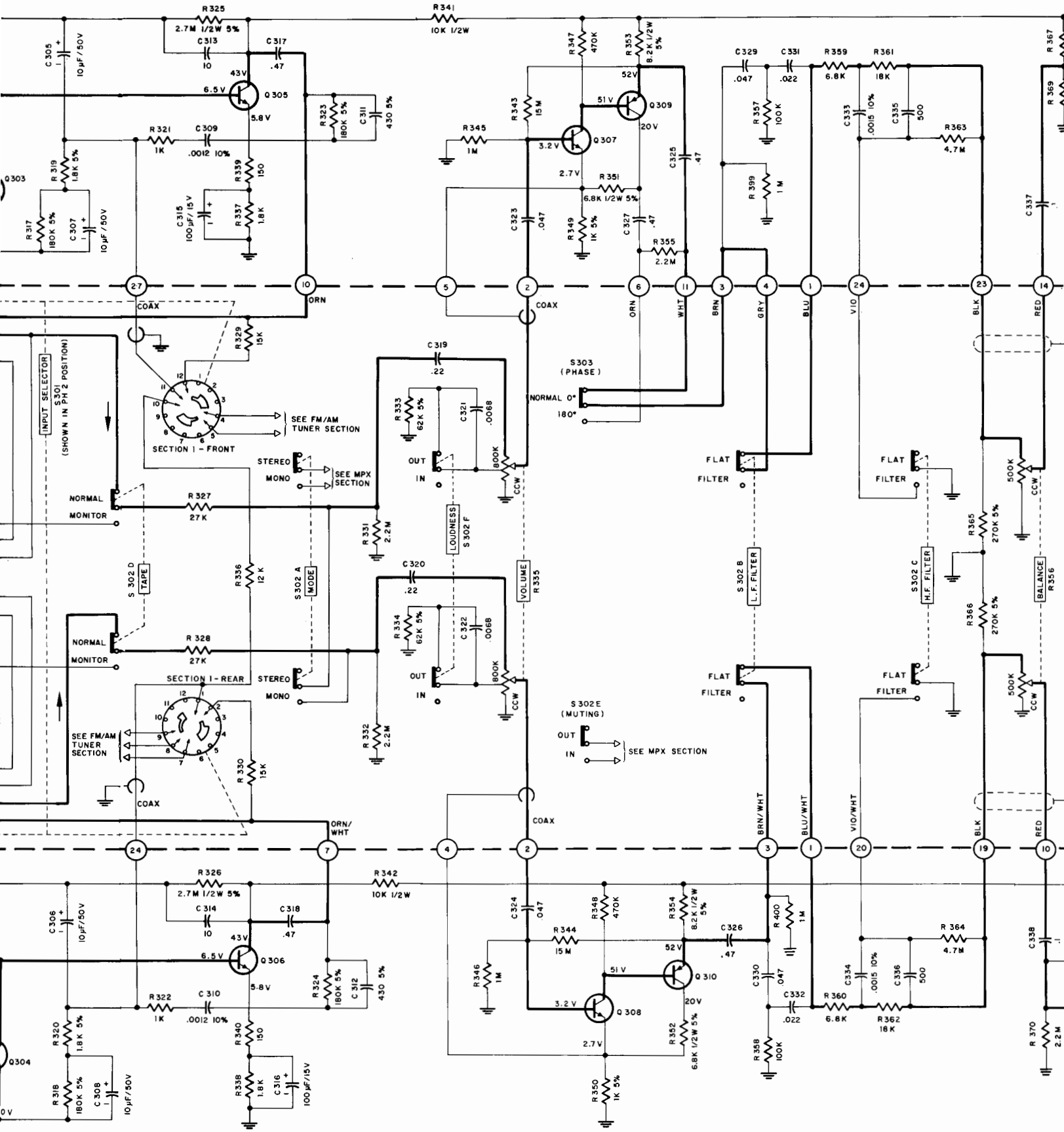
All voltages indicated on the schematics are measured under the following conditions:

- Use of an 11 megohm input impedance VTVM.
- All voltages $\pm 10\%$ with respect to chassis ground.
- No signal at input or antenna terminals.
- AC input at 117 volts, 50/60Hz.
- Front panel controls at:

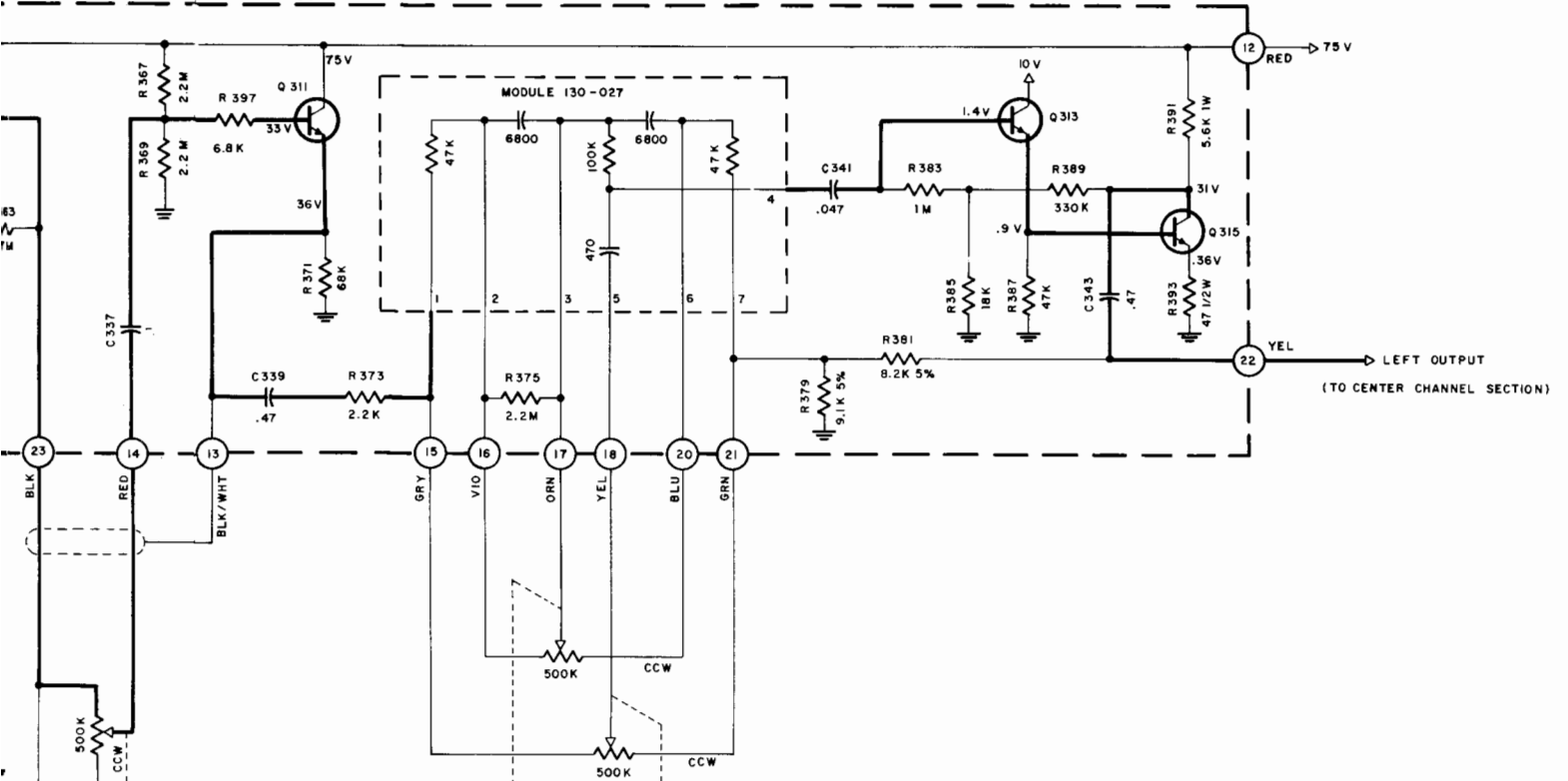
Tuning indicator	100MHz (no signal)
Volume	Fully CCW
Mode	Stereo
Muting	Out
Input Selector	AM (to measure AM section) FM (to measure FM section)
Panel Lights	Bright



LEFT CHANNEL PREAMP. PRINTED CIRCUIT BOARD



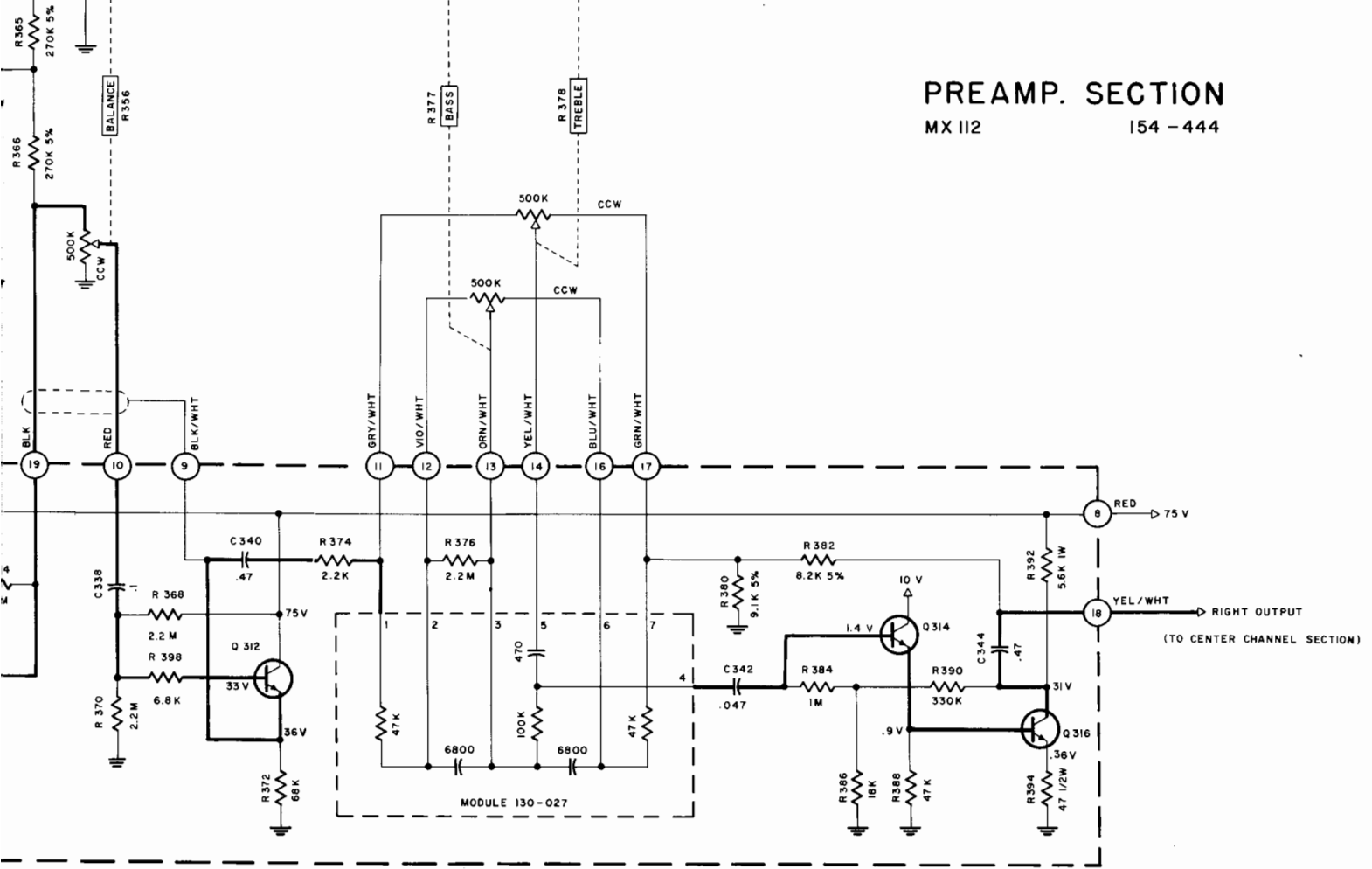
RIGHT CHANNEL PREAMP. PRINTED CIRCUIT BOARD



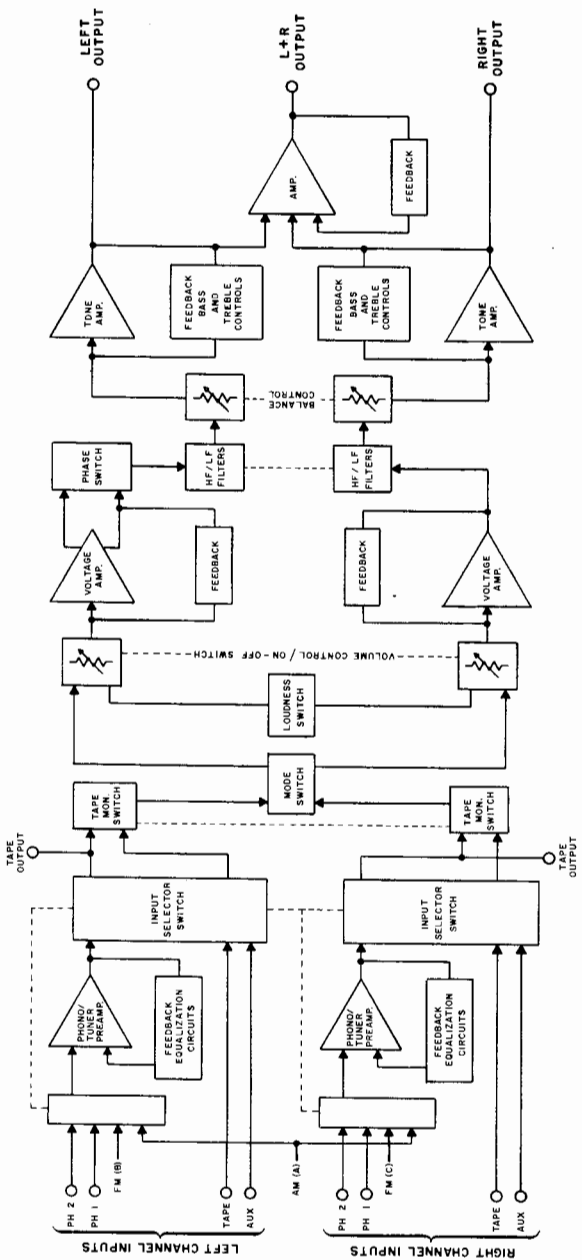
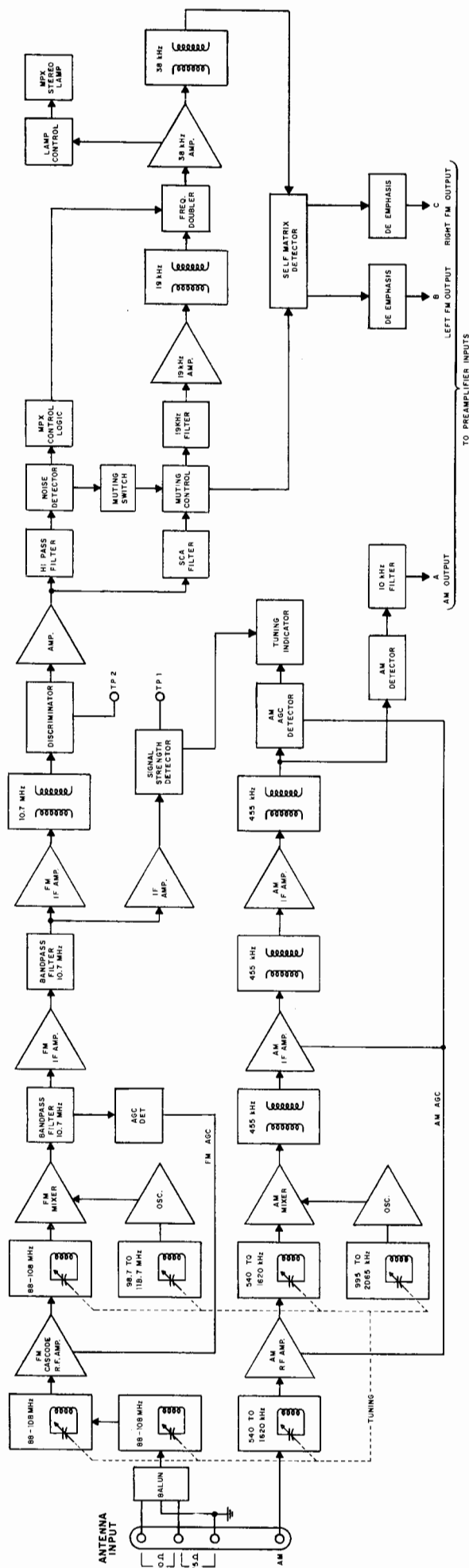
PREAMP. SECTION

MX 112

154-444

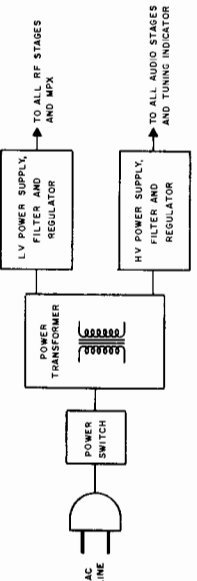


FM/AM TUNER SECTION

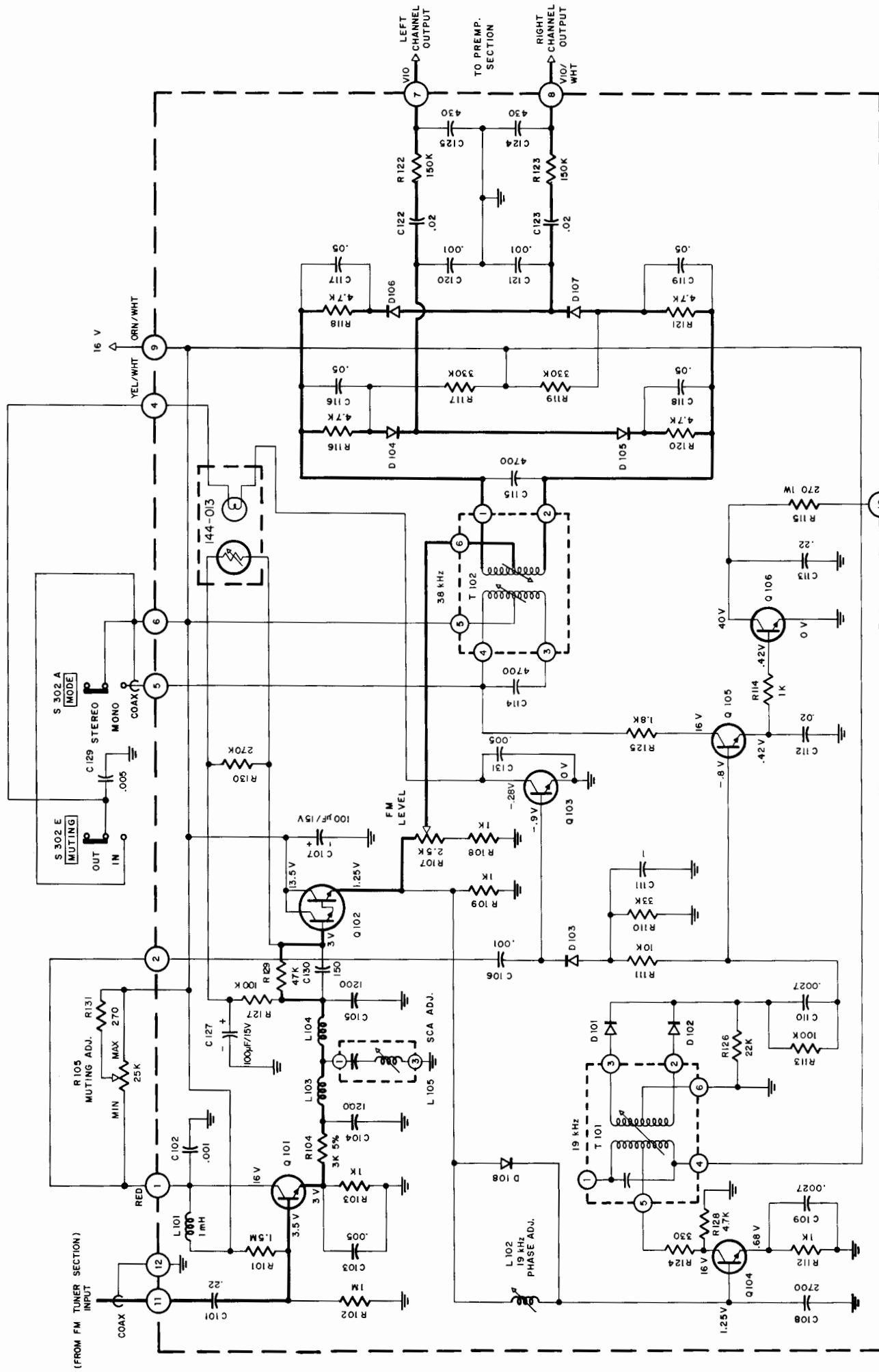


PREAMPLIFIER SECTION

MX 112 BLOCK DIAGRAM



POWER SUPPLY



MPX PRINTED CIRCUIT BOARD 043-974

MPX SECTION
MX 112
154-442

MPX LIGHT
40V
1828

(FROM FM TUNER SECTION)

COAX

16V

YEL/WHT

ORN/WHT

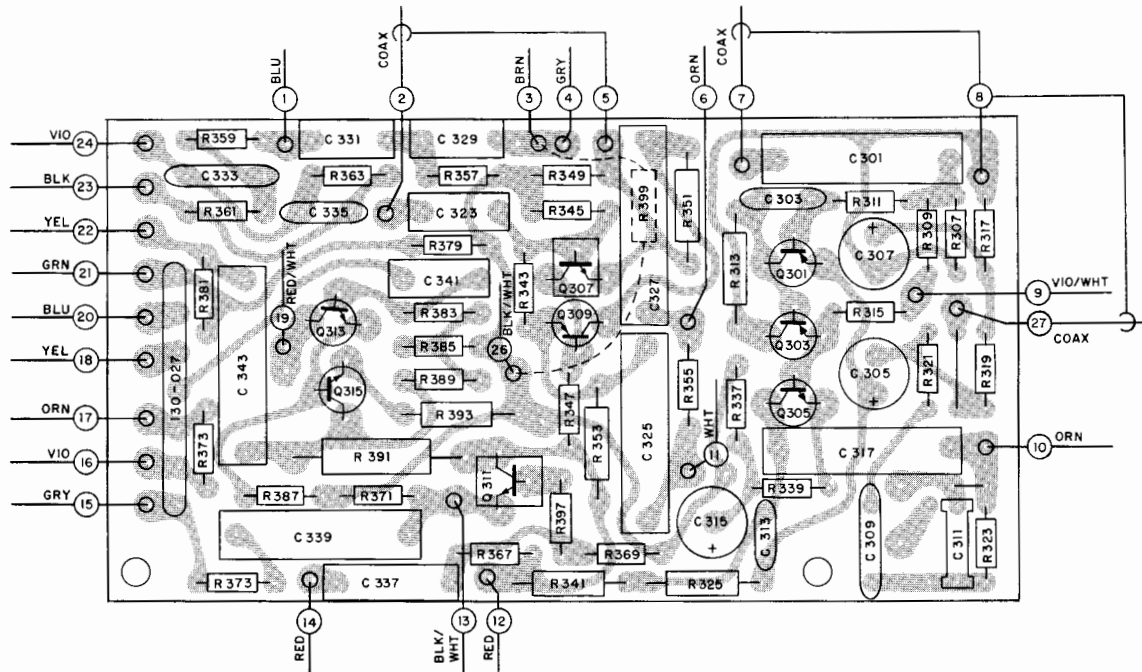
LEFT CHANNEL OUTPUT

TO PREMP. SECTION

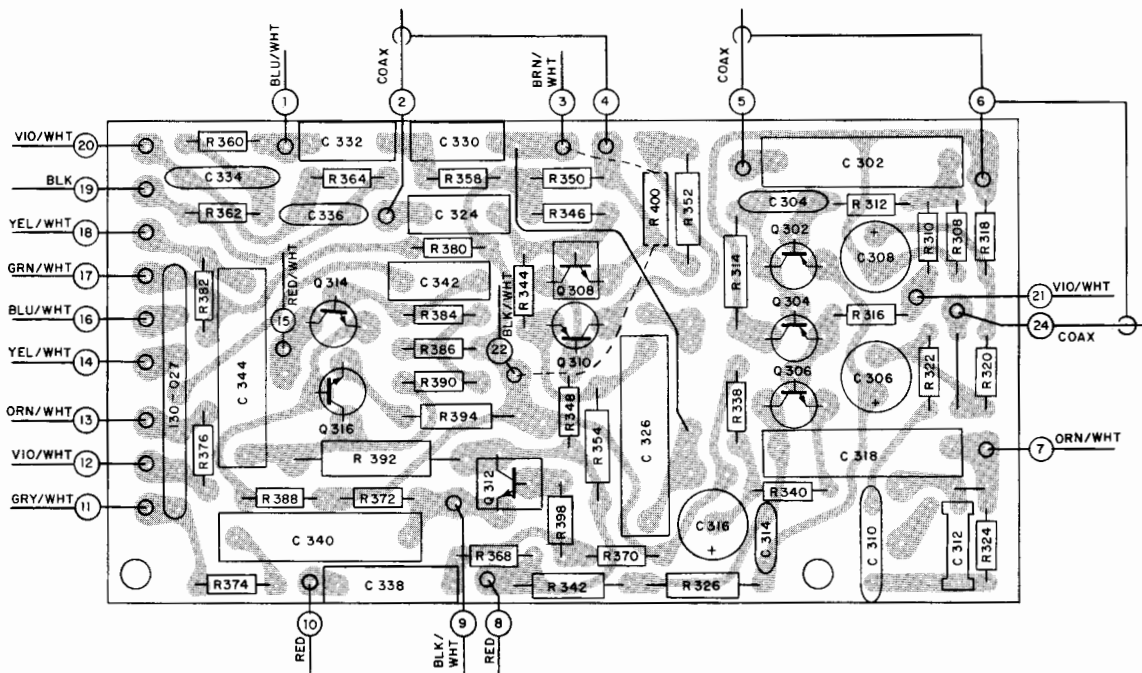
RIGHT CHANNEL OUTPUT

BRN

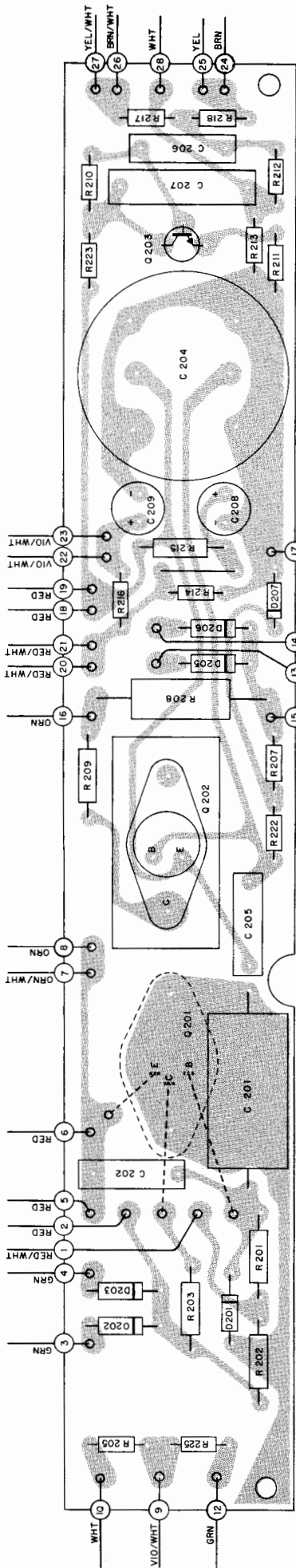
40V



LEFT CHANNEL PREAMP PRINTED CIRCUIT BOARD 043-991

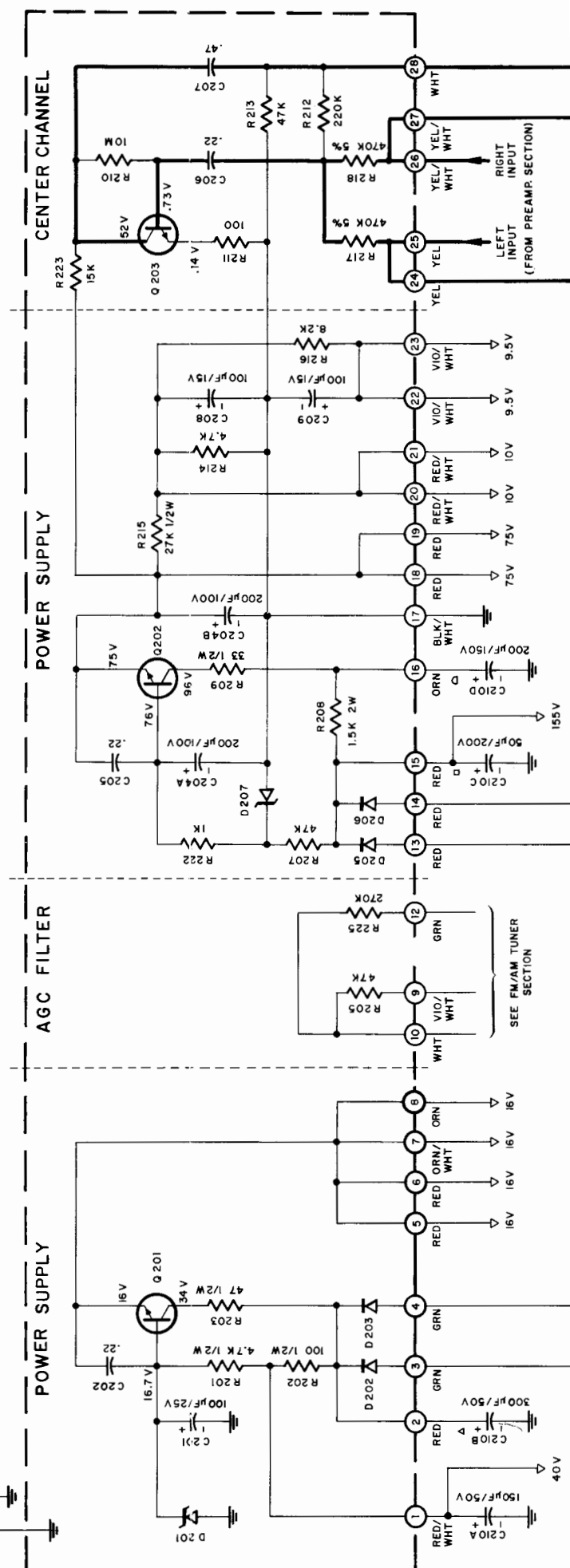


RIGHT CHANNEL PREAMP. PRINTED CIRCUIT BOARD 043-992

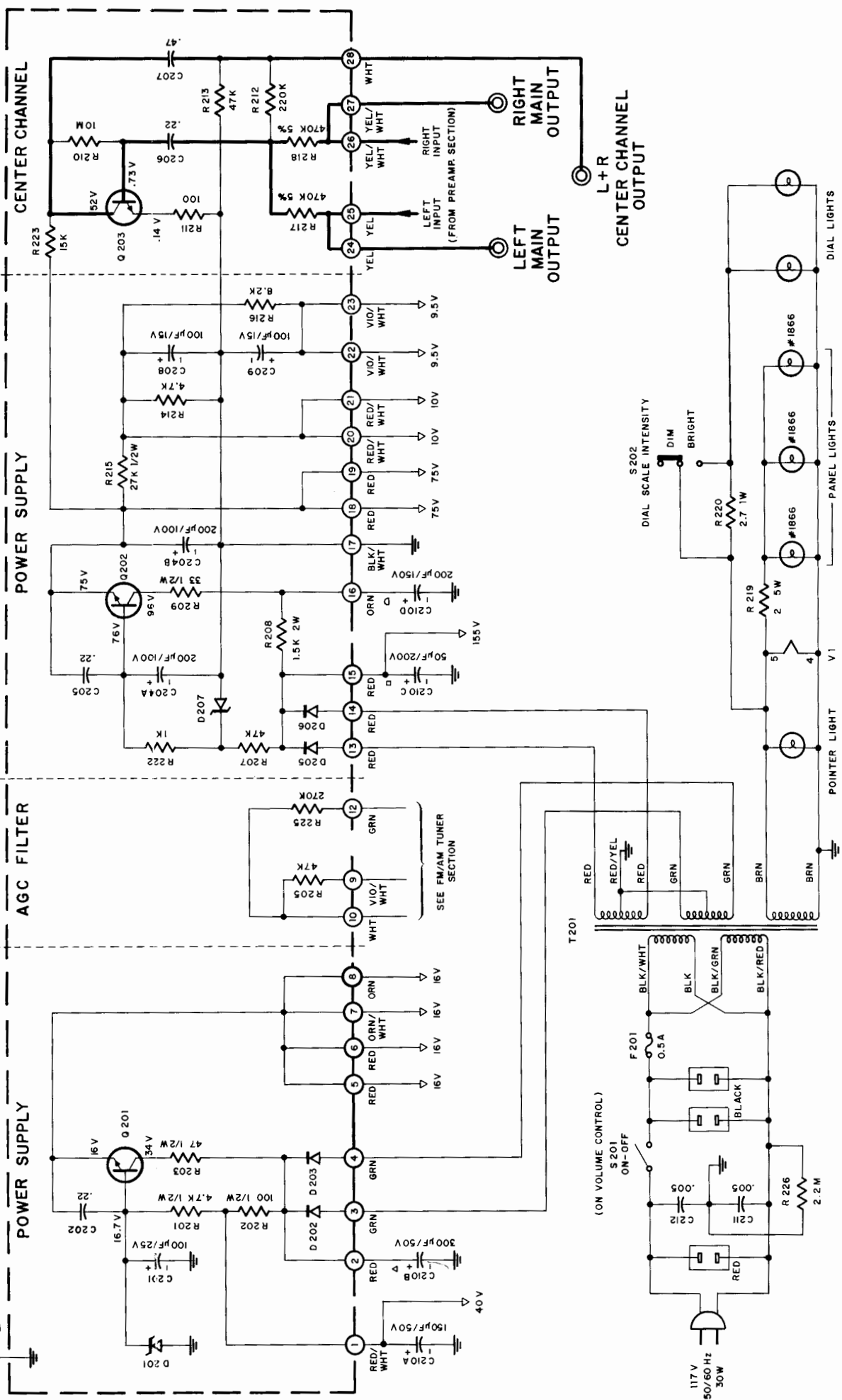


POWER SUPPLY / CENTER CHANNEL PRINTED CIRCUIT BOARD 043 - 983

PRINTED CIRCUIT BOARD 043 - 983



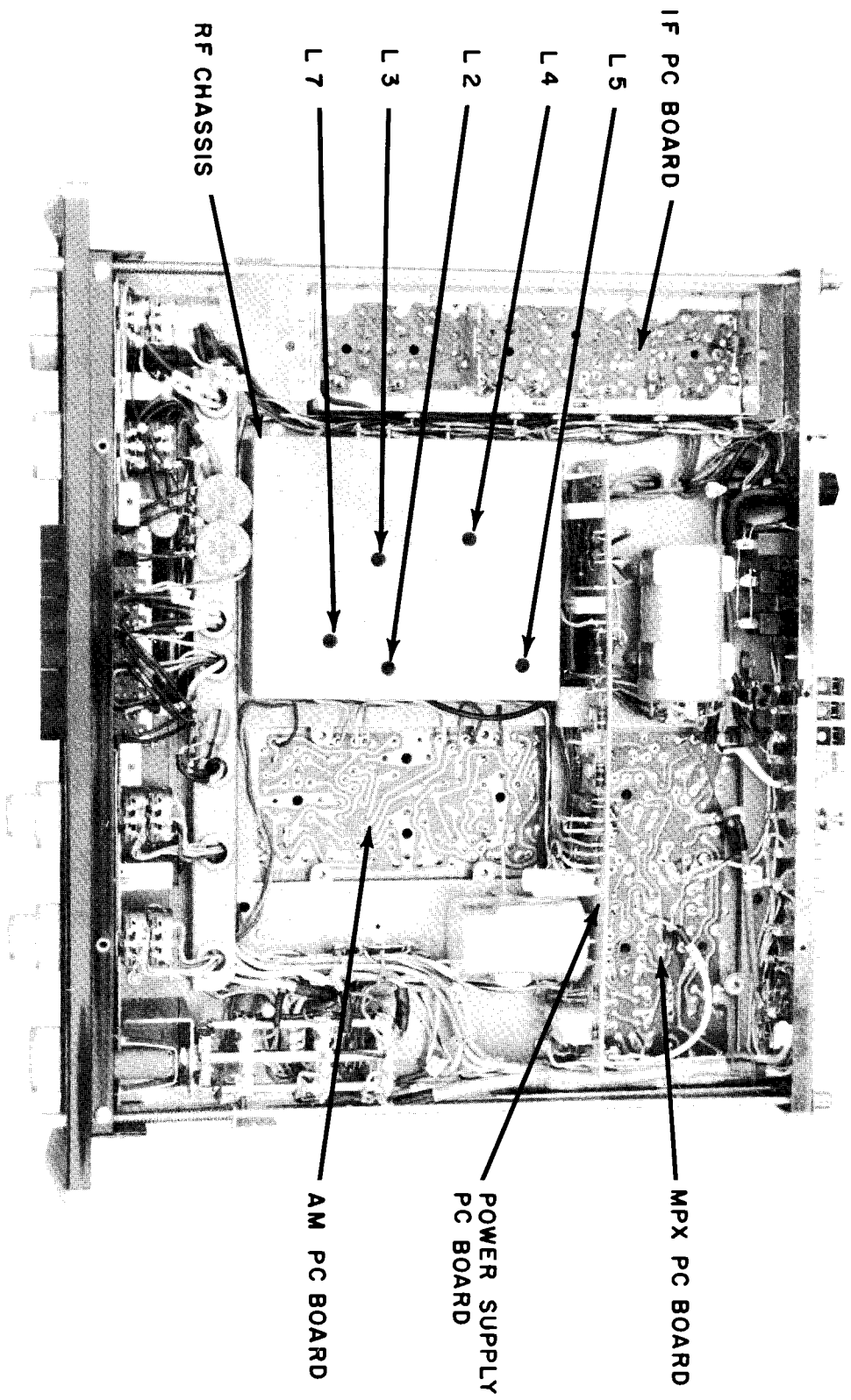
PRINTED CIRCUIT BOARD 043 - 983

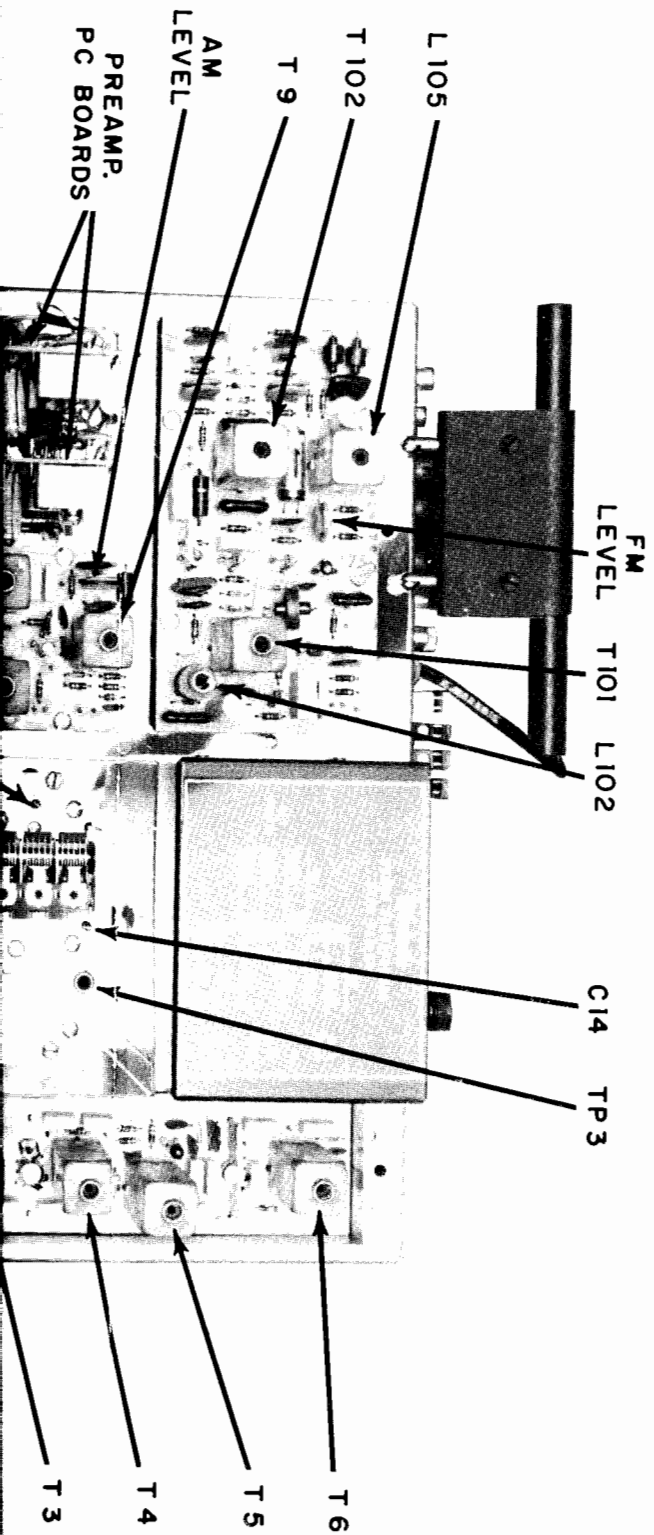
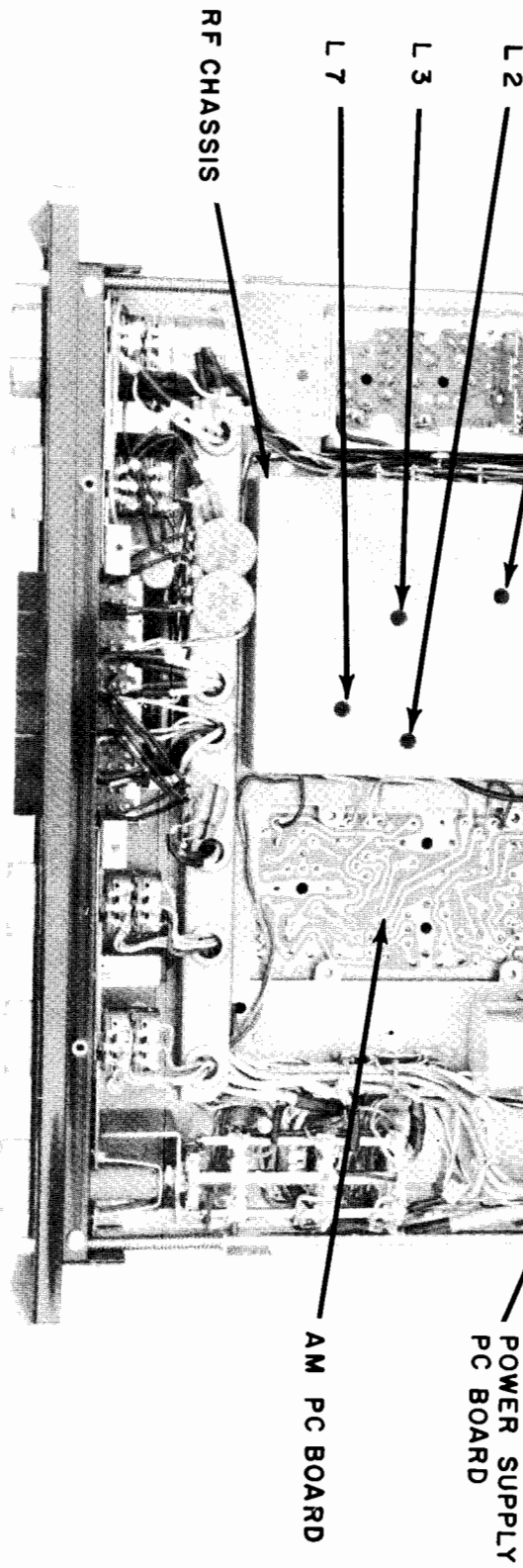


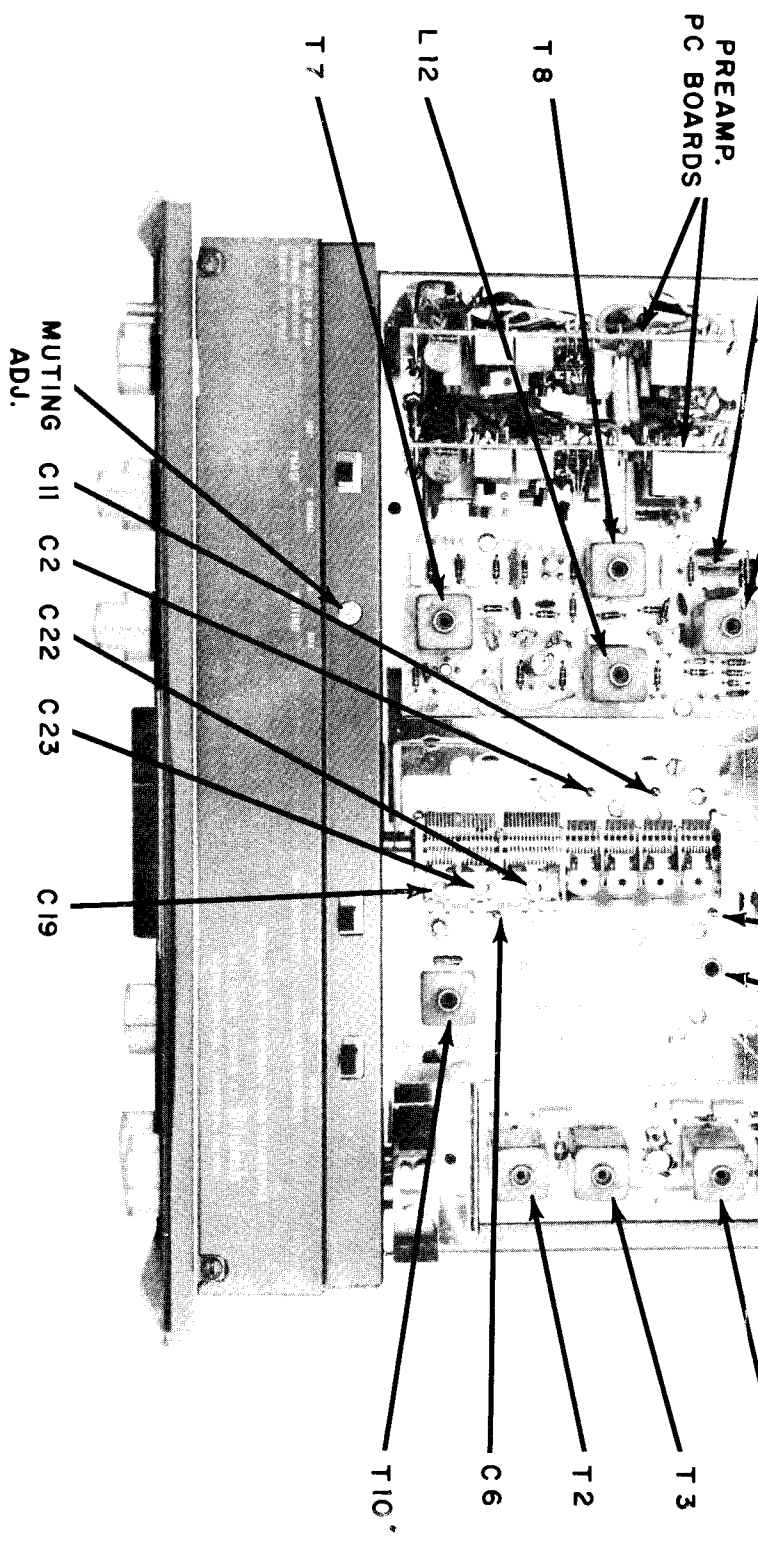
POWER SUPPLY / CENTER CHANNEL SECTION

154 - 445

MX 112







MX 112 ALIGNMENT INSTRUCTIONS

All McIntosh tuners are carefully aligned and tested at the factory using the finest available test equipment. All McIntosh tuners will meet their published specifications when shipped from the factory.

After extensive operation, or servicing, it may be desirable to realign the tuner circuits for best performance. The charts below give complete information on the circuit realignment procedure for the MX 112.

The test equipment listed (or its equivalent) is necessary to properly align an MX 112. The accuracy of the alignment will be directly related to the accuracy and calibration of the test equipment used.

If the necessary test equipment is not available, alignment should not be attempted. For additional information, contact Customer Service Department, McIntosh Laboratory Inc., 2 Chambers Street, Binghamton, New York 13903 (telephone 607-723-3512).

Alignment should be done in the following order: AM-FM-MPX

TEST EQUIPMENT REQUIRED

1. FM Signal Generator (Measurements 188 or equivalent)
2. AM Signal Generator (Measurements 65B or equivalent)
3. VTVM
4. Multiplex Generator (RCA WR-51A or equivalent)
5. 10.7MHz Generator (preferably crystal controlled)
6. Oscilloscope (Hewlett-Packard 120B or equivalent)
7. Harmonic Distortion Analyzer (Hewlett-Packard 333A or equivalent)

AM ALIGNMENT

STEP	TUNER DIAL SETTING	SIGNAL GENERATOR			INDICATOR		ADJUST	TEST LIMITS	REMARKS
		FREQ.	COUPLING	MODULATION	TYPE	CONNECTED TO			
1	Point of no interference or signal	455kHz	Through external .01µF capacitor to junction of C43 and T10 pin 2.	CW	VTVM	Junction of C55 and sliding arm of AM level pot.	Maximum possible positive voltage	Switch input selector to FM to make AM local oscillator inoperative. As the tuner output increases, attenuate generator output to keep tuner output at minimum.	
2	600kHz	600kHz	Through a 200pF capacitor to ant. terminals.	Same	Same	Same	Maximum possible voltage	Same as step 1 except input selector is on AM.	
3	1400kHz	1400kHz	Same	Same	Same	Same	Same	Repeat steps 2 & 3 until dial calibration is accurate.	
4	600kHz	600kHz	Same	Same	Same	Same	Same	Same as step 1 except input selector is on AM.	
5	1400kHz	1400kHz	Same	Same	Same	Same	Same	Repeat steps 4 & 5 until output is as high as possible.	
6	1000kHz	1000kHz	Same	30% @ 400Hz	Distortion Analyzer	L or R output	With a distortion analyzer, the following measurements can be performed: 1. IHFM sensitivity of 10 microvolts for -20dB of signal to noise ratio. (this measurement is only possible in the absence of man-made interference, as fluorescent lamps, etc.) 2. With a 1mV input signal, harmonic distortion, whistle filter attenuation at 10kHz modulating frequency and signal to noise ratio may be measured. 3. With a 1mV input signal adjust "AM Level" control (R49) for .30 volt of audio output at tape-outputs.		

FM ALIGNMENT

STEP	TUNER DIAL SETTING	SIGNAL GENERATOR			INDICATOR		ADJUST	TEST LIMITS	REMARKS
		FREQ.	COUPLING	MODULATION	TYPE	CONNECTED TO			
1	Point of no interference or signal	10.7MHz	TO TP-3	FM ±200kHz at 60Hz rate	Oscilloscope	TP #1	Optimum symmetry about 10.7 MHz and 10.7MHz ± 75kHz markers.	If sweep generator has no built-in markers, use external marker generator by mixing with swept IF-signal at TP#3. First adjust Pri. and Sec. tuning slugs of T2,3,4,5 for maximum amplitude. Note this amplitude on the scope. Then, readjust T3 and T4 (T2 and T5 if necessary) for 220kHz bandwidth and optimum symmetry, taking care that amplitude of scope pattern shall not decrease by more than 30%. Hold input	

1	Same	10.7MHz	Same	CW	VTVM	Pin 6 of T6	T6 primary (bottom core)	T6 secondary (top core)	Adj. for 0 volts	Maximum possible negative voltage	10.7MHz ± 75kHz markers.	of T1, T2, T3, T4	plitude. Note this amplitude on the scope. Then, readjust T3 and T4 (T2 and T5 if necessary) for 220kHz bandwidth and optimum symmetry, taking care that amplitude of scope pattern shall not decrease by more than 30%. Hold input signal to a low level to prevent limiting.
2	Same	10.7MHz	Same	Same	Same	TP #2	Oscillator Trimmer (C14)	Oscillator Coil (L5)	Same	Maximum negative voltage	As the tuner output increases, attenuate generator output to keep TP #1 voltage at a low level.		
3	105MHz	90MHz	105MHz	Same	Same	Same	Mixer trimmer, RF trimmer & antenna trimmer C11, C6, C2	Mixer, RF, and antenna coil tuning slugs L4, L3, L2	Same	Same	Repeat steps 4 and 5 until dial calibration is accurate.		
4	105MHz	90MHz	105MHz	Same	Same	Same	Connect distortion analyzer to TP #1 and reduce signal at antenna for -30dB total distortion and noise. Input signal required is IHFM usable sensitivity of the tuner (2.5 microvolts).	Connect distortion analyzer to L or R output and reduce signal at antenna for -30dB total distortion and noise. Input signal required is IHFM usable sensitivity of the tuner (2.5 microvolts).	Same	Same	Repeat steps 6 and 7 until TP#1 voltage is as high as possible. Connect a distortion analyzer to output jacks (either main or tape) and apply a 1mV input signal. Measure harmonic distortion and adjust T6 (primary) bottom slug for minimum distortion. (Should be less than 0.5%).		
5	105MHz & 90MHz	105MHz & 90MHz	105MHz & 90MHz	Same	AC-VTVM	L or R output Jack	L105 (SCA ADJ.)	L105 (SCA ADJ.)	Minimum output @ L or R output jack	L105 (SCA adj.) is adjusted for minimum output with 67kHz modulation.			
6	100MHz	100MHz	19kHz pilot	Same	AC-VTVM or oscilloscope w/very low cap. probe	T101, pin 2 or 3.	L102 (19kHz phase adj.) & T101 (19 kHz doubler)	L102 (19kHz phase adj.) & T101 (19 kHz doubler)	Adjust for maximum AC voltage	Decrease pilot level so that 19kHz circuits are not being saturated.			

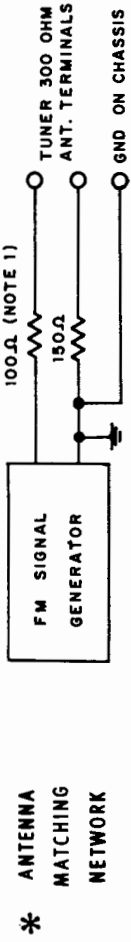
MULTIPLYER DECODER ALIGNMENT

STEP	TUNER DIAL SETTING	SIGNAL GENERATOR			INDICATOR		ADJUST	TEST LIMITS	REMARKS
		FREQ.	COUPLING	MODULATION	TYPE	CONNECTED TO			
1	100MHz	100MHz	300Ω antenna terminals w/ approx. 1000 microvolts signal w/** matching network	75kHz Deviation @ 67kHz	AC-VTVM	L or R output Jack	L105 (SCA ADJ.)	Minimum output @ L or R output jack	L105 (SCA adj.) is adjusted for minimum output with 67kHz modulation.
2	100MHz	100MHz	Same	19kHz pilot	AC-VTVM or oscilloscope w/very low cap. probe	T101, pin 2 or 3.	L102 (19kHz phase adj.) & T101 (19 kHz doubler)	Adjust for maximum AC voltage	Decrease pilot level so that 19kHz circuits are not being saturated.

105MHz & 90MHz	105MHz & 90MHz	Same	Same	VTVM connected to TP #1 and scope connected to L or R audio output.	Connect distortion analyzer to L or R output and reduce signal at antenna for -30dB total distortion and noise. Input signal required is IHFM usable sensitivity of the tuner (2.5 microvolts).	0.5%.	Step 8 is an overall sensitivity check. Adjust muting control (R105) by reducing the signal input to 5 microvolts for a 2dB drop in audio output. Push in muting button (S302E) for this adjustment.
8							

MULTIPLY DECODER ALIGNMENT

STEP	TUNER DIAL SETTING	SIGNAL GENERATOR			INDICATOR		ADJUST	TEST LIMITS	REMARKS
		FREQ.	COUPLING	MODULATION	TYPE	CONNECTED TO			
1	100MHz	100MHz	300p antenna terminals w/ approx. 1000 microvolts signal w/* matching network	75kHz Deviation @ 67kHz	AC-VTVM	L or R output jack	L105 (SCA ADJ.)	Minimum output @ L or R output jack	L105 (SCA adj.) is adjusted for minimum output with 67kHz modulation.
2	100MHz	100MHz	Same	19kHz pilot	AC-VTVM or oscilloscope w/very low cap. probe	T101, pin 2 or 3.	L102 (19kHz phase adj.) & T101 (19 kHz doubler)	Adjust for maximum AC voltage	Decrease pilot level so that 19kHz circuits are not being saturated.
3	Same	Same	Same	Same	Same	T102, Pin 1 or 2.	T102 (Pri) & bottom (Sec) tuning slugs	Adj. for maximum AC voltage	Decrease pilot level so that 19kHz and 38kHz circuits are not being saturated. Mode switch must be in stereo position.
4	Same	Same	Same	1kHz (100% modulation) L or R only, pilot on	Same	L or R output jack	T102, Bottom (Sec.) tuning slug.	30dB separation or more	First, modulate left channel and measure right channel output. Adjust T102 bottom - tuning slug (Sec.) for minimum right channel output. (maximum separation) Then, reverse channels and measure left channel separation. For this adjustment and measurement, no test lead should be connected to TP#2, and the dust cover over this section should be in place.
5	100MHz	100MHz	Same	1kHz (100% modulation) L or R only, pilot on	AC-VTVM	L or R output Jack		Less than 10mV volts of residual	Adjust "FM-Level" control (R107) for 1 volt of audio output at tape-outputs. Then, turn off the modulation and measure the residual of the 10kHz and 38kHz frequencies.



Note.1 : If signal generator has other than 50 ohm internal impedance, use a resistor of 150 ohms less internal generator impedance.

REPLACEMENT PARTS

All parts not listed are common items obtainable from radio parts jobbers.

Replacement parts may be obtained when ordered by PART NUMBER from:

McIntosh Laboratory Inc.
Customer Service Department
2 Chambers Street
Binghamton, New York 13903
(telephone 607-723-3512)

CAPACITORS

Symbol Number	Description	Part Number
C56	Mylar .22μF 250V	064-068
C58,59	Elect. 100μF 15V	066-127
C101	Mylar .22μF 250V	064-068
C107	Elect. 100μF 15V	066-127
C111	Mylar .1μF 250V	064-067
C113	Mylar .22μF 250V	064-068
C127	Elect. 100μF 15V	066-127
C201	Elect. 100μF 25V	066-124
C202	Mylar .22μF 250V	064-068
C204	Elect. 200/200μF 100V	066-129
C205,206	Mylar .22μF 250V	064-068
C207	Mylar .47μF 250V	064-069
C208,209	Elect. 100μF 15V	066-127
C210	Elect. 50/200/300/150μF 200/150/50/50V	066-218
C301,302	Mylar .47μF 250V	064-069
C305,306	Elect. 10μF 20V	066-149
C307,308	Elect. 10μF 20V	066-149
C315,316	Elect. 100μF 15V	066-127
C317,318	Mylar .47μF 250V	064-069
C319,320	Mylar .22μF 200V	064-087
C323,324	Mylar .047μF 250V	064-066
C325,326	Mylar .47μF 250V	064-069
C327	Mylar .47μF 250V	064-069
C329,330	Mylar .047μF 250V	064-066
C331,332	Mylar .022μF 250V	064-065
C337,338	Mylar .1μF 250V	064-067
C339,340	Mylar .47μF 250V	064-069
C341,342	Mylar .047μF 250V	064-066
C343,344	Mylar .47μF 250V	064-069

DIODES

D1,2	Si. signal diode	070-022
D3,4	Si. signal diode	070-022

D5	Ge. signal diode	070-003
D6,7	Si. signal diode	070-022
D101,102	Si. signal diode	070-022
D103	Si. signal diode	070-022
D104	Ge. signal diode	070-003
D105,106	Ge. signal diode	070-003
D107	Ge. signal diode	070-003
D108	Bias diode	070-046
D201	Zener diode 16V	070-042
D202,203	Si. rectifier	070-031
D205,206	Si. rectifier	070-031
D207	Zener diode 75V	070-025

FUSE

F201	Fuse .5 amp Slo-blo	089-020
------	---------------------	---------

CHOKES

L1	Choke 1.2μH	122-011
L2	FM antenna coil	122-069
L3	FM RF coil	122-070
L4	FM mixer coil	122-071
L5	FM local oscillator coil	122-072
L6	AM loop antenna	122-074
L7	AM antenna coil	122-073
L10	Choke 75μH	122-013
L12	AM oscillator coil	122-066
L13	Choke 100mH	122-004
L14	Choke 1.2μH	122-011
L101	Choke 1mH	122-065
L102	Filter coil (19kHz phase)	122-067
L103,104	Filter coil (lo pass)	122-015
L105	Filter coil (SCA adjust)	122-068

TRANSISTORS

Q1	Si. junction F.E.T.	132-049
Q2,3	Si. junction F.E.T.	132-049
Q4	M.O.S. F.E.T.	132-064
Q5,6	Si. NPN transistor	132-015
Q7	Si. junction F.E.T.	132-049
Q8	M.O.S. F.E.T.	132-064
Q9,10	M.O.S. F.E.T.	132-061
Q11	Si. NPN transistor	132-041
Q101	Si. NPN transistor	132-057
Q102	Si. NPN transistor	132-052
Q103	Si. NPN transistor	132-041

Q104,
Q106
Q201
Q202
Q203
Q301,
Q303,
Q305,
Q307,
Q309,
Q311,
Q313,
Q315,

R49
R105
R107
R335
R356
R377,

R219
R220
R221
S1
S202
S301
S302
S303

T1
T2
T3
T4
T5
T6
T7,8
T9
T10
T101

070-003	Q104,105	Si. NPN transistor	132-057
070-022	Q106	Si. NPN transistor	132-042
070-022	Q201	Si. NPN transistor	132-072
070-022	Q202	Si. NPN transistor	132-516
070-003	Q203	Si. NPN transistor	132-069
070-003	Q301,302	Si. PNP transistor	132-056
070-003	Q303,304	Si. PNP transistor	132-056
070-046	Q305,306	Si. NPN transistor	132-069
070-042	Q307,308	Si. NPN transistor	132-054
070-031	Q309,310	Si. PNP transistor	132-056
070-031	Q311,312	Si. NPN transistor	132-054
070-025	Q313,314	Si. NPN transistor	132-057
	Q315,316	Si. NPN transistor	132-042
089-020		POTENTIOMETERS	
	R49	AM level	134-177
122-011	R105	Muting adjust	134-216
122-069	R107	FM level	134-197
122-070	R335	Volume control	134-202
122-071	R356	Balance control	134-201
122-072	R377,378	Tone control	134-203
122-074		RESISTORS	
122-073	R219	Wirewound 2.0 Ω 5W	139-005
122-013	R220	Wirewound 2.7 Ω 1W	139-002
122-066	R221	Wirewound 1.2 Ω 1W	139-001
122-004		SWITCHES	
122-011	S1	AM sensitivity	148-023
122-065	S202	Dial scale intensity	148-023
122-067	S301	Input selector	146-125
122-015	S302	Pushbutton	150-004
122-068	S303	Phase	148-023
132-049		TRANSFORMERS	
132-049	T1	Balun	043-226
132-064	T2	FM IF transformer	162-034
132-015	T3	FM IF transformer	162-035
132-049	T4	FM IF transformer	162-034
132-064	T5	FM IF transformer	162-035
132-061	T6	FM discriminator	162-036
132-041	T7,8	AM IF transformer	162-038
132-057	T9	AM IF transformer	162-038
132-052	T10	AM RF transformer	162-033
132-041	T101	RF transformer (19kHz)	162-031

T102	RF transformer (38kHz)	162-031
T201	Power transformer	043-226
	TUBES	
V1	6HU6	165-001
	INTEGRATED CIRCUITS	
IC1,2	Integrated circuit	133-001
	MODULES	
	Tone control module	130-001
	LAMPS	
	#1828 (MPX lamp)	058-001
	#1866 (front panel)	058-001
	Festoon lamp (dial glass)	058-001
	FRONT PANEL & TRIM	
	Front panel	043-501
	Front panel end caps	018-001
	Tuning knob	043-201
	Volume control knob	043-201
	Balance knob	043-201
	Input selector knob	043-201
	Bass knob (rear)	090-001
	Bass knob (front)	043-601
	Treble knob (rear)	090-001
	Treble knob (front)	043-601
	Muting knob	090-001
	MOUNTING SYSTEM	
	Shelf bracket (right)	043-501
	Shelf bracket (left)	043-501
	Mounting template #100	038-100
	Hardware package	043-100
	MISCELLANEOUS ITEMS	
	FM dipole antenna	170-001
	Dial glass	043-801
	Pointer	043-801
	Dial cord (complete)	043-801
	Fuseholder	178-001
	AC power cord	170-001
	Shipping carton	043-501
	Owners manual	038-100
	Plastic feet	017-001
	Push terminal (antenna)	074-001

T102	RF transformer (38kHz)	162-039
T201	Power transformer	043-865
TUBES		
V1	6HU6	165-025
INTEGRATED CIRCUITS		
IC1,2	Integrated circuit	133-001
MODULES		
	Tone control module	130-027
LAMPS		
	#1828 (MPX lamp)	058-027
	#1866 (front panel)	058-014
	Festoon lamp (dial glass)	058-032
FRONT PANEL & TRIM		
	Front panel	043-920
	Front panel end caps	018-120
	Tuning knob	043-272
	Volume control knob	043-253
	Balance knob	043-253
	Input selector knob	043-253
	Bass knob (rear)	090-009
	Bass knob (front)	043-625
	Treble knob (rear)	090-009
	Treble knob (front)	043-625
	Muting knob	090-010
MOUNTING SYSTEM		
	Shelf bracket (right)	043-592
	Shelf bracket (left)	043-593
	Mounting template #100	038-179
	Hardware package	043-446
MISCELLANEOUS ITEMS		
	FM dipole antenna	170-033
	Dial glass	043-897
	Pointer	043-876
	Dial cord (complete)	043-891
	Fuseholder	178-001
	AC power cord	170-021
	Shipping carton	043-949
	Owners manual	038-447
	Plastic feet	017-041
	Push terminal (antenna)	074-032

Shorting plug	127-001
Audio cable (6')	170-015
LDR network	144-013

AM NOISE REDUCTION MODIFICATION

MODEL: MX 112 FM/AM Tuner-Preamp

PURPOSE OF MODIFICATION: To improve AM signal to noise ratio.

WHAT UNITS ARE AFFECTED: Serial No. 10S01 to 43S90 Only.

WHEN MODIFICATION SHOULD BE MADE: When customer complains that AM is noisy on local stations or that sensitivity is poor.

McINTOSH MODIFICATION KIT NO.: No kit.

PARTS REQUIRED:

QUANTITY	PART NUMBER	DESCRIPTION
1	061-043	.01 μ F +80-20% Disc capacitor

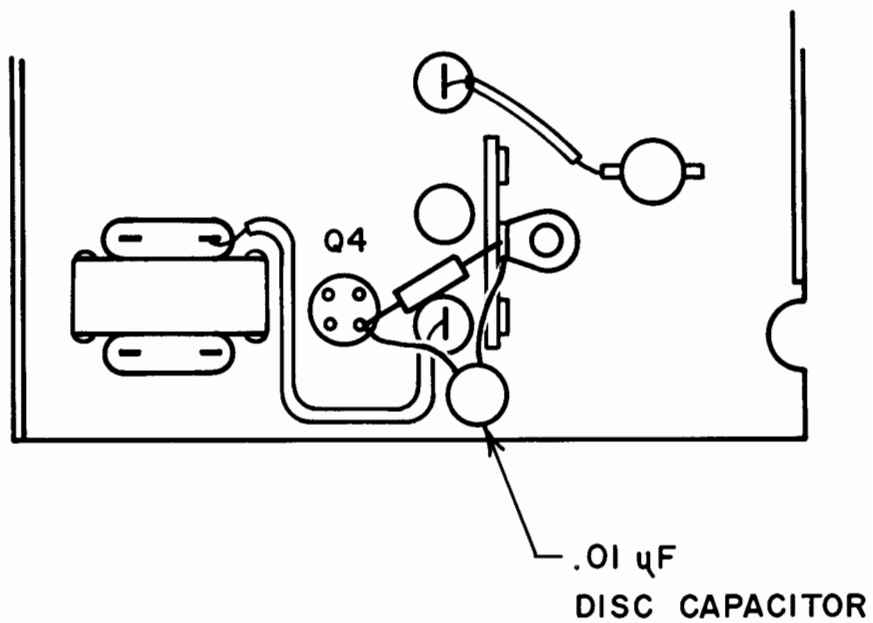
PROCEDURE:

- Step 1 Remove bottom cover, Multiplex-AM top cover, and RF front end bottom cover. Remove capacitors C204 and C208 on AM PC board. See service manual for exact location. Replace top cover.
- Step 2 Locate Q4, AM RF amplifier in RF front end chassis. Connect the .01 μ F disc capacitor between the source terminal of Q4 and the ground lug of the terminal strip as shown in the accompanying sketch. Replace bottom covers.
- Step 3 Check performance. If dial calibration is off at high end of the band, perform AM alignment steps 3 and 5 in service manual. The top cover of the RF front end is removed for access to the alignment trimmers.

(over)

BOTTOM VIEW

RF CHASSIS



FRONT OF UNIT