

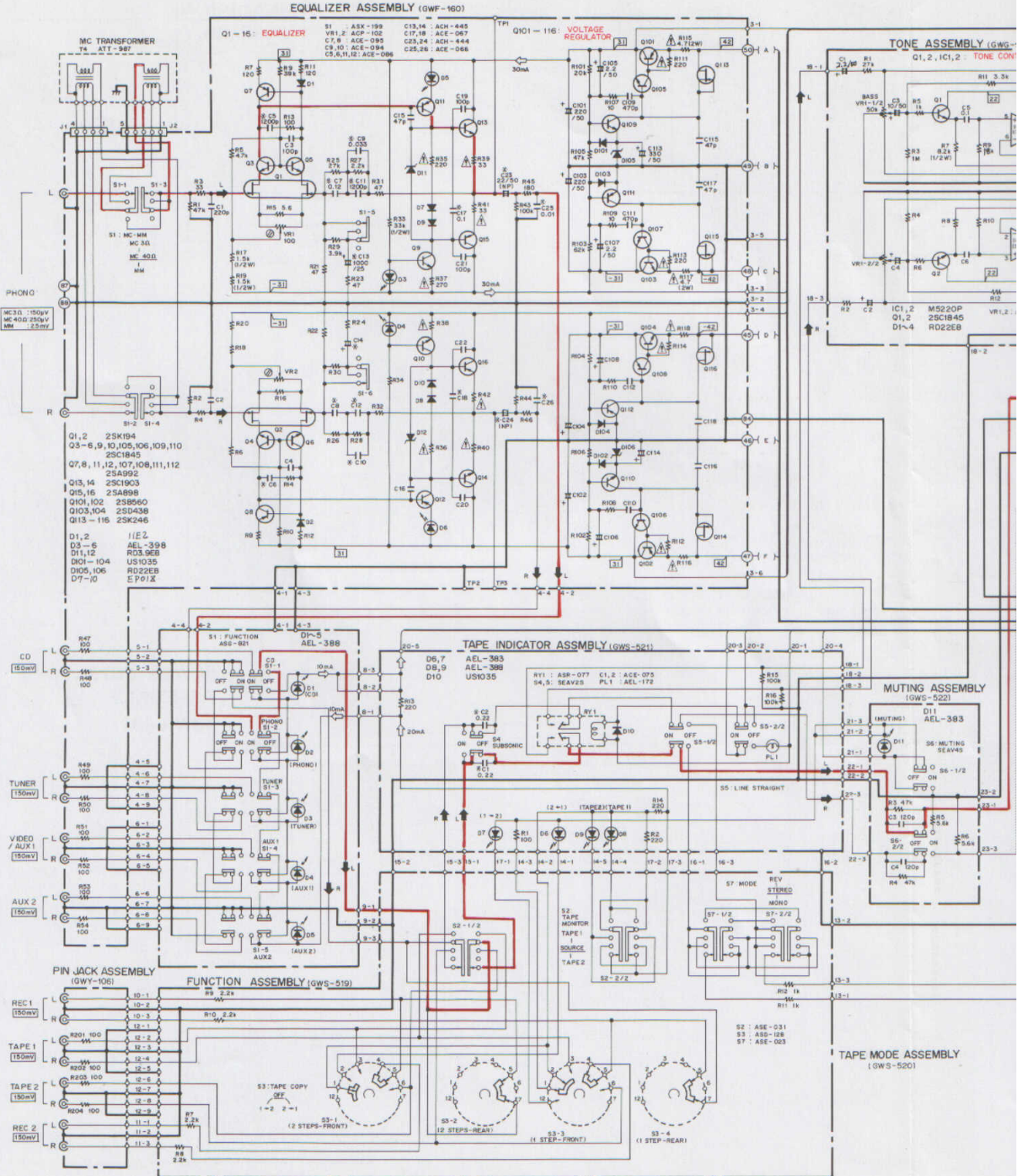
8. SCHEMATIC DIAGRAM

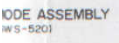
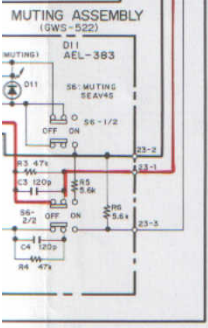
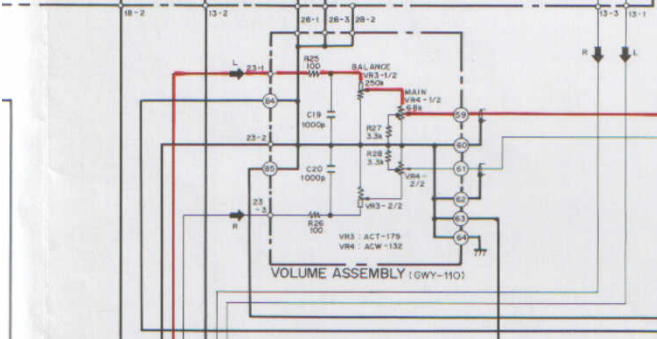
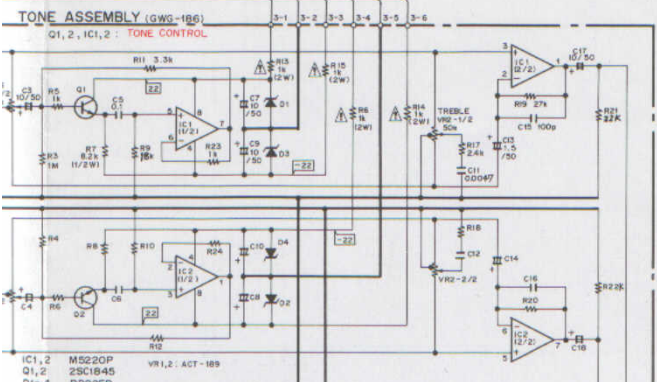
A

B

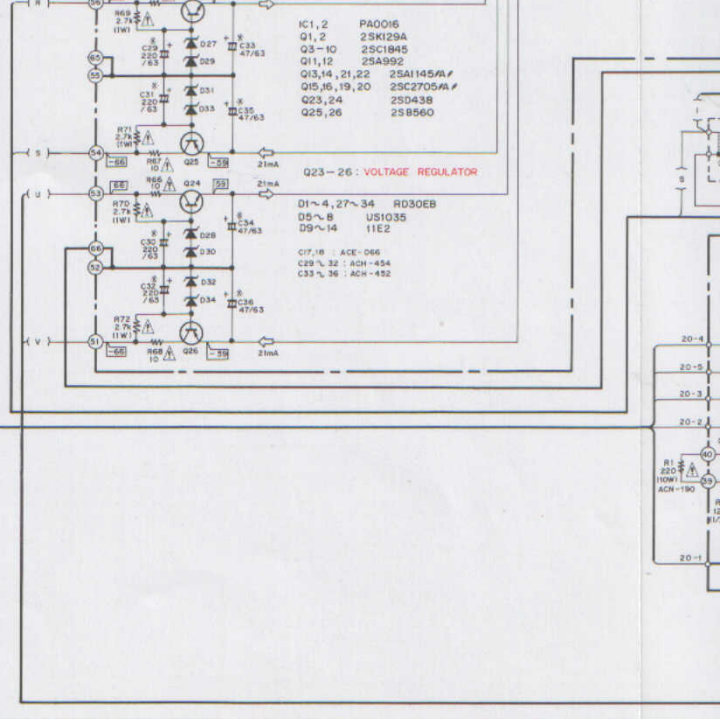
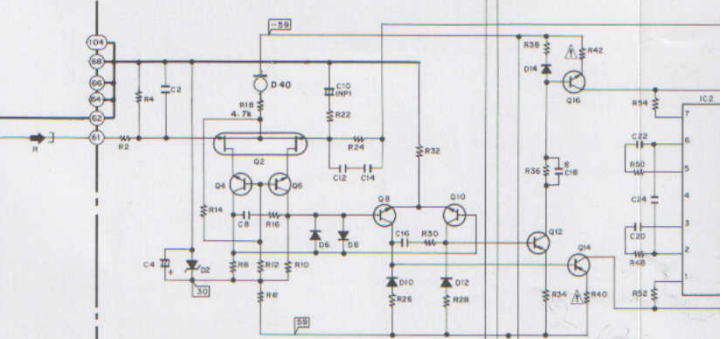
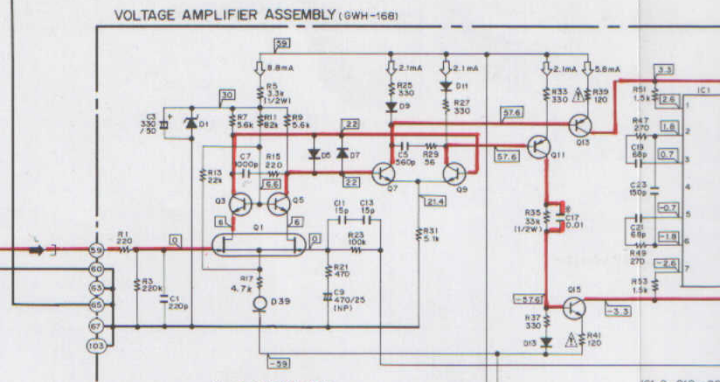
C

D





- 5. SWITCHES**
- FUNCTION ASSEMBLY**
 S1-1: CD ON - OFF
 S1-2: PHONO ON - OFF
 S1-3: TUNER ON - OFF
 S1-4: AUX 1 ON - OFF
 S1-5: AUX 2 ON - OFF
- TAPE MODE ASSEMBLY**
 S2: TAPE MONITOR TAPE1 - SOURCE - TAPE 2
 S3: TAPE COPY 1 + 2 - OFF - 2 + 1
 S7: MODE REV - STEREO - MONO
- MUTING ASSEMBLY**
 S6: MUTING ON - OFF
- EQUALIZER ASSEMBLY**
 S1: MC-MM SELECT MC SQ - MC 40Ω - MM
- SPEAKER SELECT ASSEMBLY**
 S1: SP SELECT A+B - B - A - OFF
- TAPE INDICATOR ASSEMBLY**
 S4: SUBSONIC ON - OFF
 S5: LINE STRAIGHT ON - OFF
- OTHER**
 S1: POWER ON - OFF
- THE UNDERLINED INDICATES THE SWITCH POSITION



NOTE:
 The indicated semiconductors are representative. Other alternative semiconductors may be listed in the parts list.

