

This ta  
both th  
knob fo

BAS

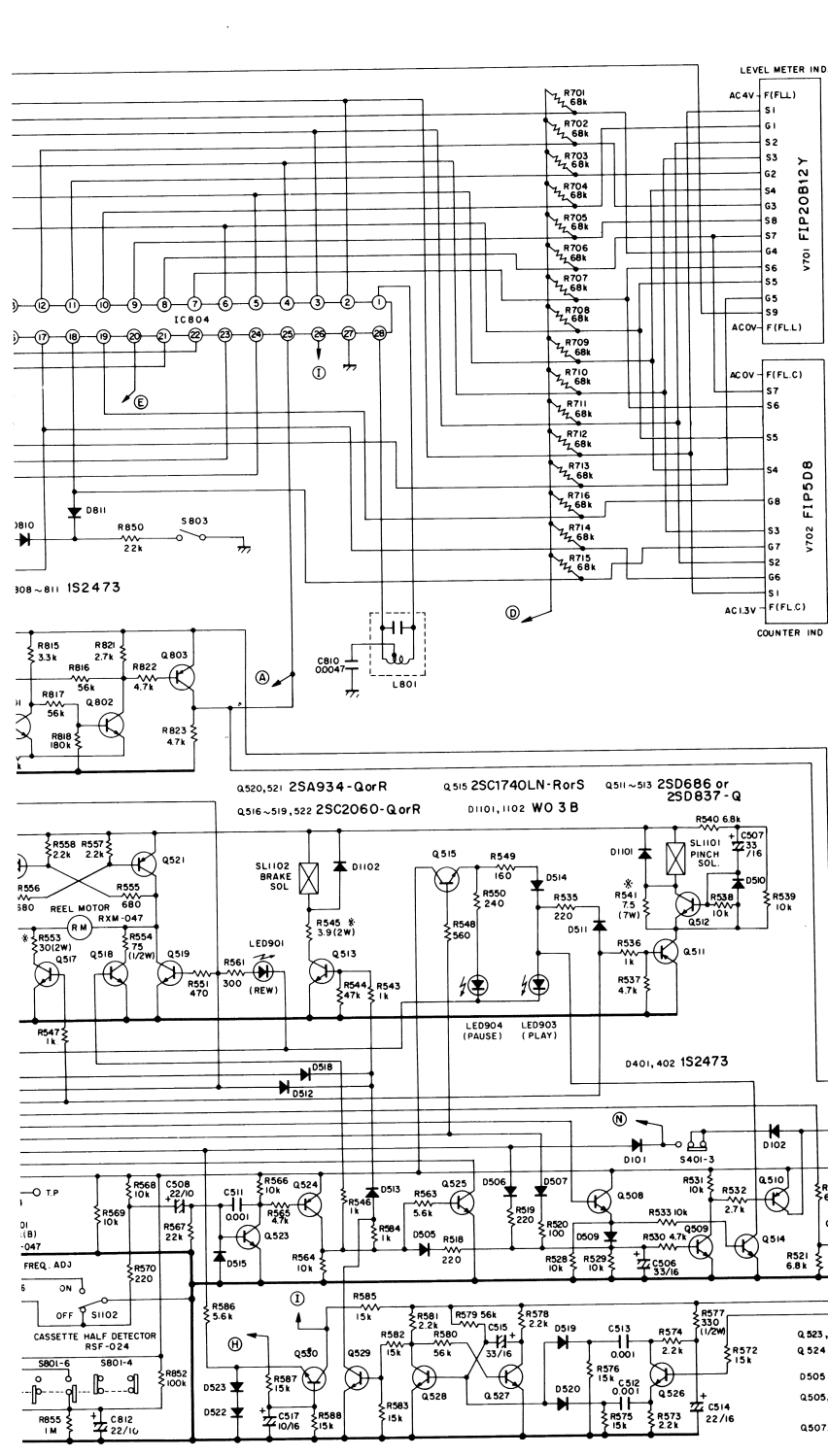
AGF

SCOT

TDR

MAXE

FUJ



1. RESISTORS:  
Indicated in Ω, 1/4W, ±5% tolerance unless otherwise noted  
k: kΩ, M: MΩ, (F): ±1%, (G): ±2%, (K): ±10% tolerance
2. CAPACITORS:  
Indicated in capacity (μF) / voltage (V) unless otherwise noted p: pF  
Indication without voltage is 50V except electrolytic capacitor
3. VOLTAGE, CURRENT:  
□: DC voltage (V) at no input signal
4. OTHERS:  
⊙: Adjusting point.

This is the basic schematic diagram, but the actual circuit may vary due to improvements in design.

SWITCHES

- S001 POWER ON - OFF
- S201 INPUT SELECTOR LINE - MIC
- S203 DOLBY NR (MPX FIL) ON - OFF
- S401 TAPE MONITOR SOURCE - TAPE
- S801-1~3 METER SELECTOR PEAK - PEAK HOLD - AVERAGE
- S801-4~6 TIMER START PLAY - REC - OFF
- S802-1~5 MEMORY & REPEAT STOP - PLAY - COUNTER - END - OFF
- S802-6~ COUNTER RESET ON - OFF
- S901 REW ON - OFF
- S902 FF ON - OFF
- S903 PLAY ON - OFF
- S904 REC ON - OFF
- S905 STOP ON - OFF
- S906 PAUSE ON - OFF

- S1102 CASSETTE HALF DETECTOR HOLE - NO HOLE
- S1103 ERASE PREVENT DETECTOR NO HOLE - HOLE
- S1301 TAPE SELECTOR METAL - STD - CrO<sub>2</sub> - Fe-Cr

The underlined indicates the switch position.

- Q523, 525 ~ 530 2SC1740LN-R or S
- Q524 2SA733A-P or Q
- D505 ~ 523 1S2473
- Q505, 506, 508, 509, 514 2SC1740LN-R or S
- Q507, 510 2SA733A-P or Q