




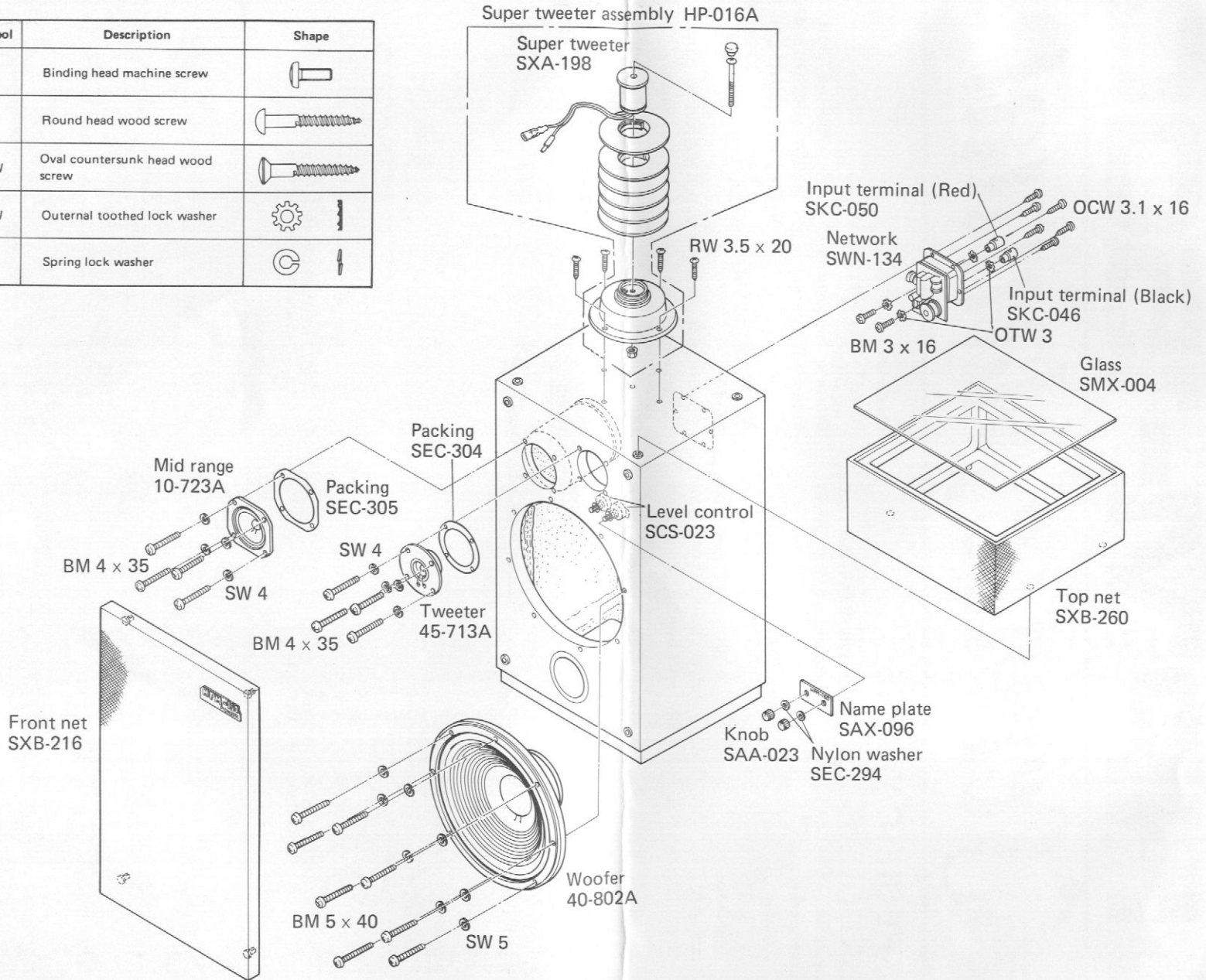


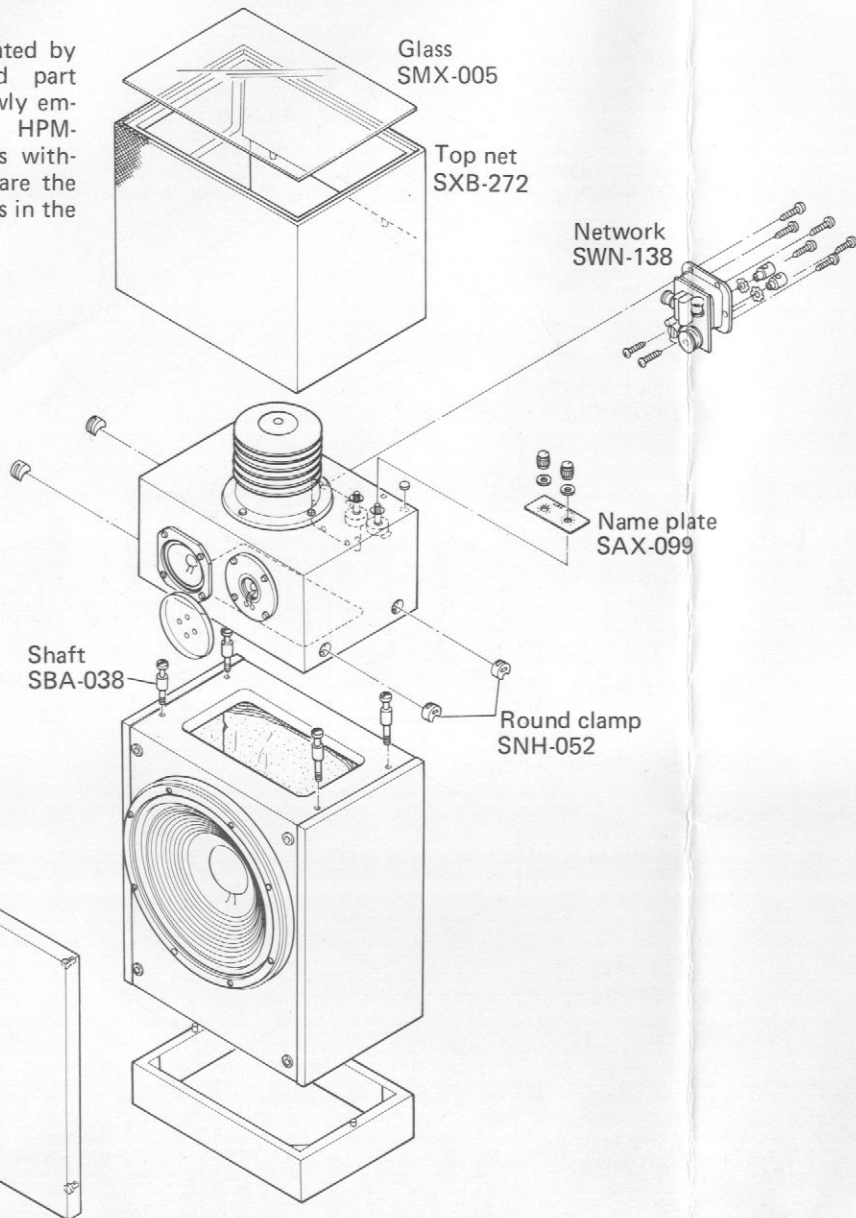
HPM-150 EXPLODED VIEW

Symbol	Description	Shape
BM	Binding head machine screw	
RW	Round head wood screw	
OCW	Oval countersunk head wood screw	
OTW	Outernal toothed lock washer	
SW	Spring lock washer	

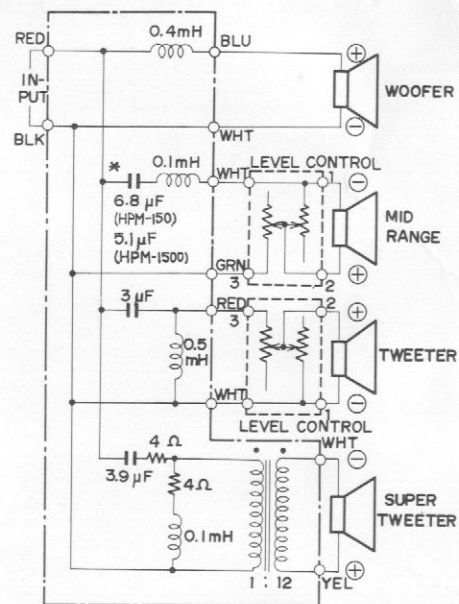


HPM-1500 EXPLODED VIEW

The parts indicated by designation and part numbers are newly employed in the HPM-1500. The parts without description are the same as the parts in the HPM-150.

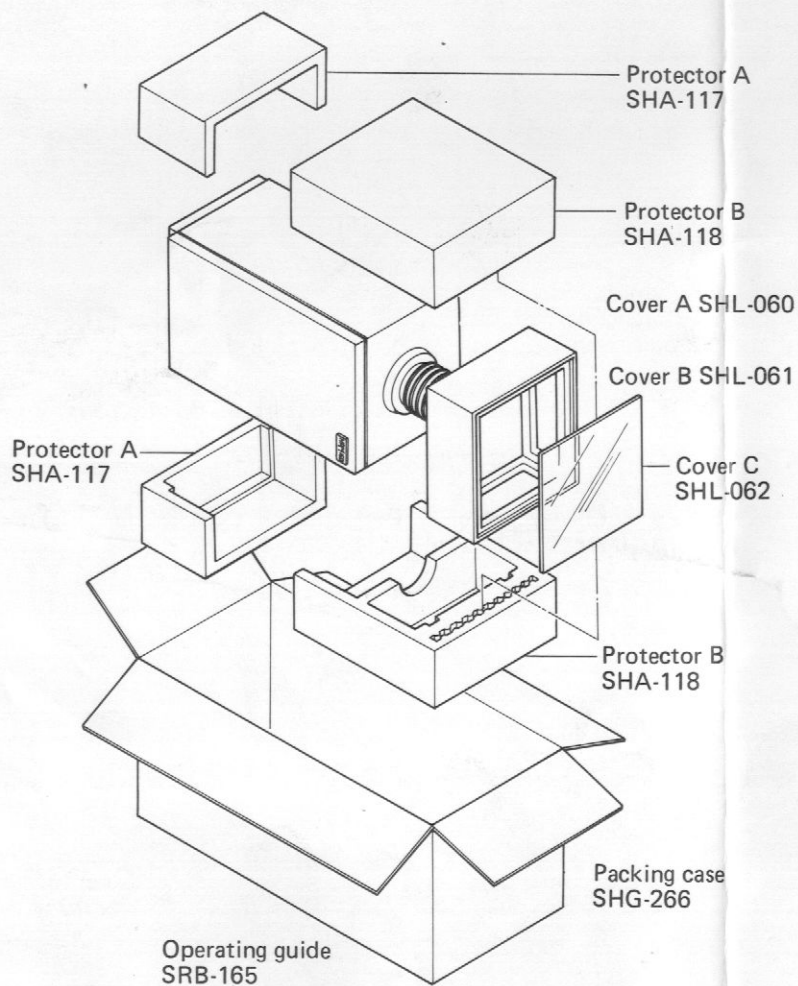


NETWORK CIRCUIT AND PART LIST



Part No.	Description		
SCS-023	Level control		
STH-161	Chock coil	0.4mH	
STH-050	Chock coil	0.1mH	
STH-052	Chock coil	0.5mH	
STH-136	Chock coil	0.1mH	
	* Capacitor	6.8µF	100VMF
	(HPM-150)		
	Capacitor	3µF	100VMF
	Capacitor	3.9µF	63VBP
	Resistor	4Ω + 4Ω	10W
STV-016	Transformer	(1 : 12)	
	* Capacitor	5.1 µF	100 VMF
	(HPM-1500)		

HPM-150 PACKING



HPM-1500 PACKING

