

AM/FM STEREO RECEIVER

SX-1000TW

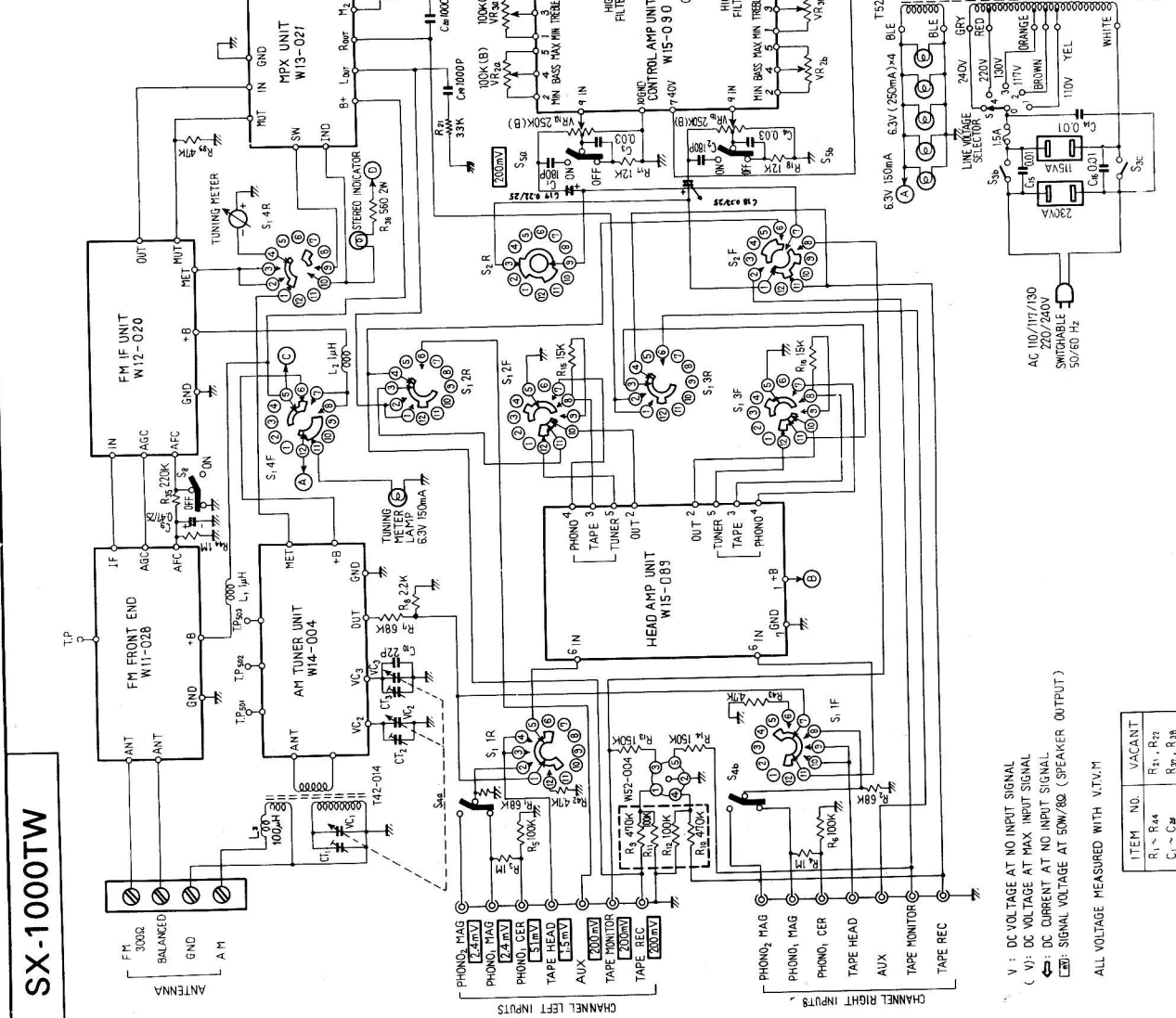
ROUND LABEL UNIT	FW					
FM FRONT END	W11-028					
FM IF UNIT	W12-020					
MPX UNIT	W13-021					
AM TUNER UNIT	W14-004					
MUTING UNIT						
HEAD AMP UNIT	W15-089					
CONTROL AMP UNIT	W15-090					
MAIN AMP UNIT	W15-091					
POWER SUPPLY UNIT	W16-010					
SWITCH UNIT						
SWITCH UNIT						
SWITCH UNIT						
TONE COLOR UNIT						
CONTROL UNIT						
MIC AMP UNIT						
REVERBE AMP UNIT						
REVERBE UNIT						



SX-1000TW

- S₁ SELECTOR**
 1) AM
 2) FM MONO
 3) FM AUTO
 4) PHONO
 5) TAPE HEAD (3 3/4")
 6) TAPE HEAD (1 1/2")
 7) AUX
- S₂ MODE TAPE RUN SELECTOR**
 NORMAL
 1) RIGHT
 2) LEFT
 3) STEREO
- S₃ OUTPUT SELECTOR**
 1) POWER OFF
 2) MAIN
 3) EXTRA
 4) MAIN & EXTRA
 5) SPEAKER OFF
- TOGGLE SWITCHES**
 PHONO1 → PHONO2
 S₄ PHONO ON → OFF
 S₅ LOUDNESS CONTROL ON → OFF
 S₆ HIGH CUT FILTER ON → OFF
 S₇ LOW CUT FILTER ON → OFF
 S₈ A.F.C. ON → OFF
 S₉ MUTING ON → OFF
- POTENTIOMETERS**
 VR₁ MAIN VOLUME
 VR₂ BASS CONTROL
 VR₃ TREBLE CONTROL
 VR₄ BALANCE CONTROL
 VR₅, VR₆ CURRENT CONTROL
 VR₇ MPX SEPARATION CONTROL

- RESISTORS**
 NONHARK-ΩHM
 K: KILOHM
 M: MEGOHM
 W: WATT
 CAPACITORS
 μ: MICRO FARAD
 P: μμF



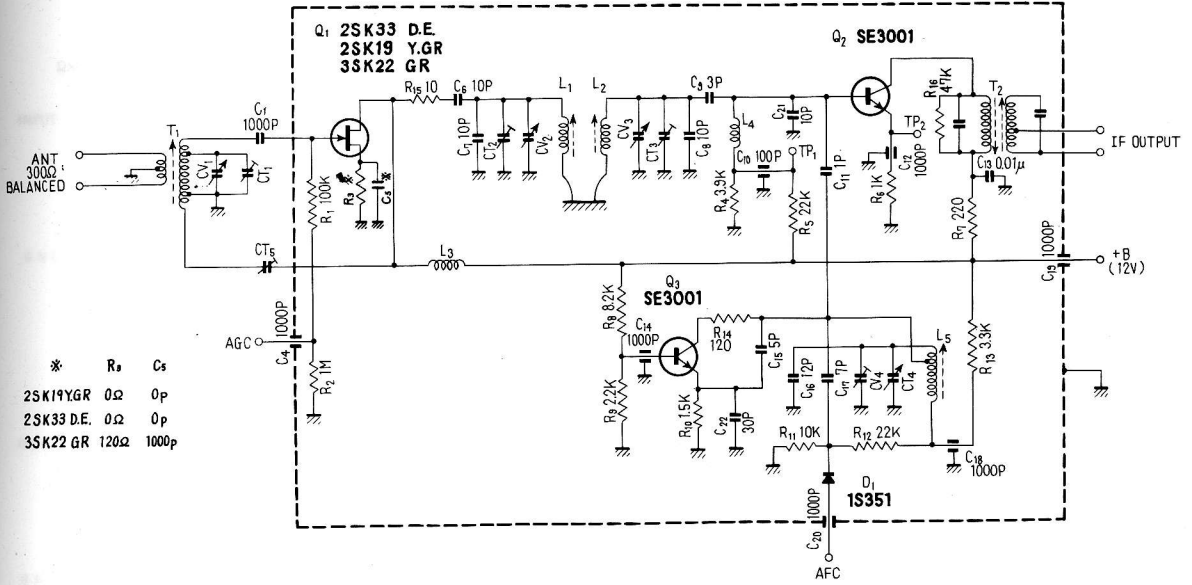
V : DC VOLTAGE AT NO INPUT SIGNAL
 (V) : DC VOLTAGE AT MAX INPUT SIGNAL
 I : DC CURRENT AT NO INPUT SIGNAL
 I : SIGNAL VOLTAGE AT 50W/8Ω (SPEAKER OUTPUT)
 ALL VOLTAGE MEASURED WITH V.T.V.1M

ITEM NO.	VACANT
R ₁ ~ R ₂₄	R ₁ ~ R ₂₂
C ₁ ~ C ₁₀	R ₂₃ ~ R ₂₈

FM FRONT END

FM FRONT END

W11-028

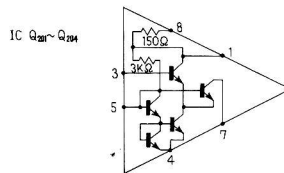
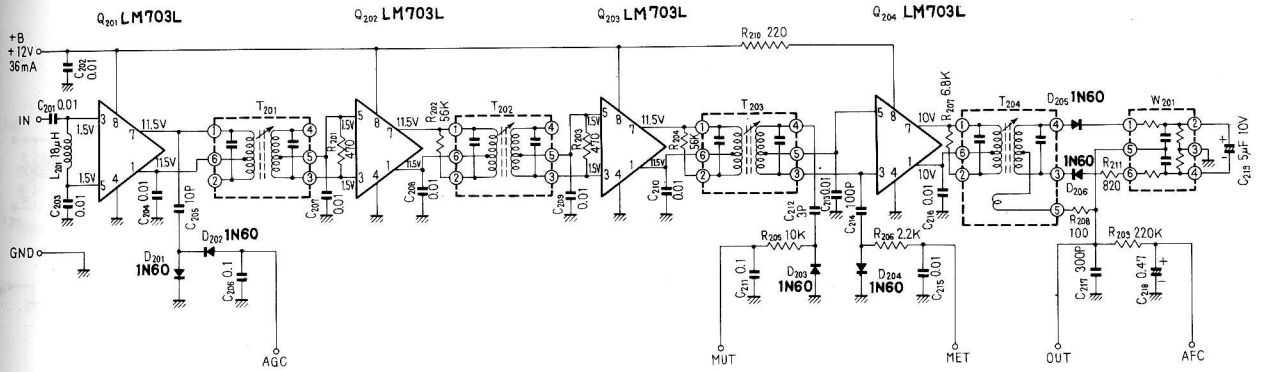


*	R _s	C _s
2SK19YGR	0Ω	0p
2SK33 D.E.	0Ω	0p
3SK22 GR	120Ω	1000p

FM IF UNIT

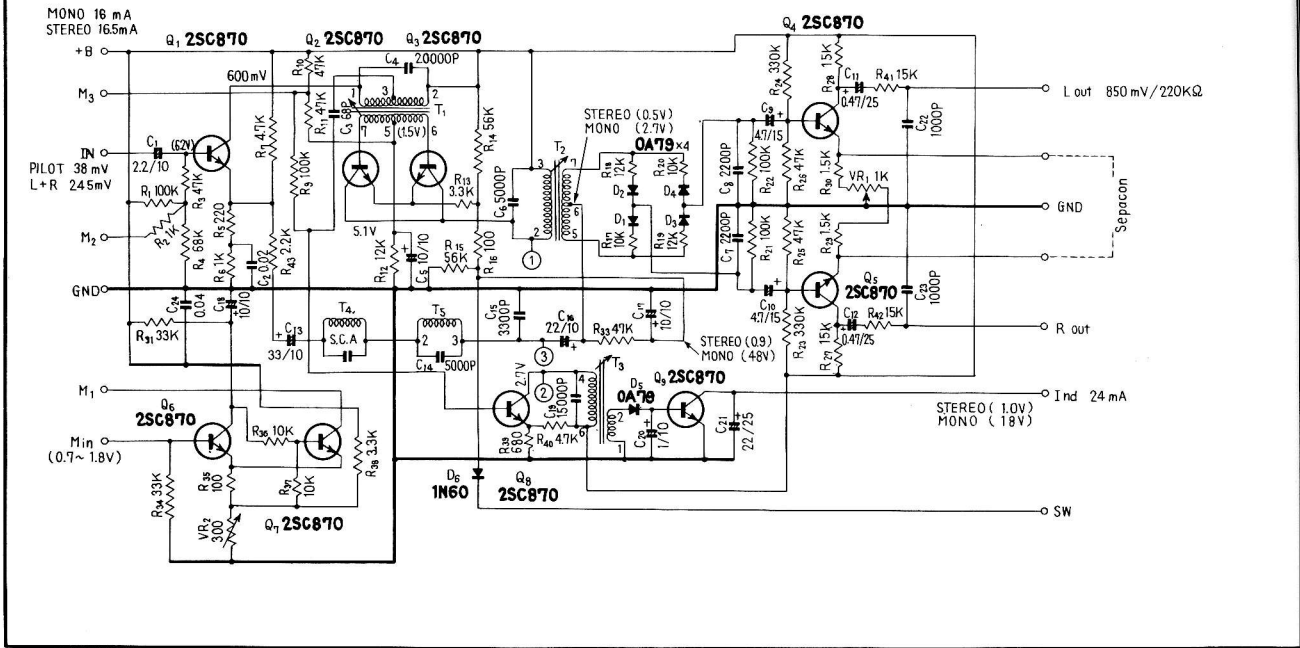
FM IF UNIT

W12-020



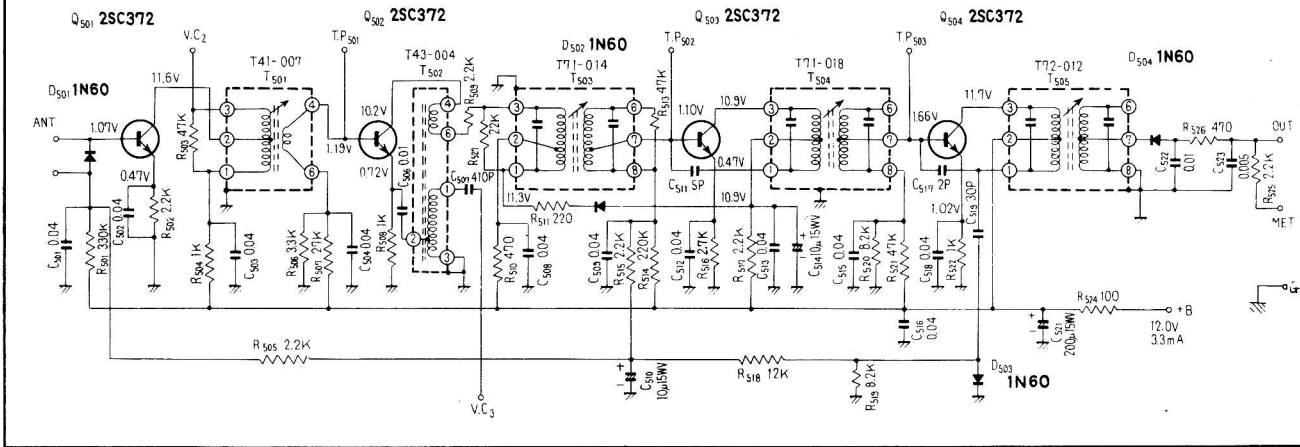
MPX UNIT

MPX UNIT
W13-021



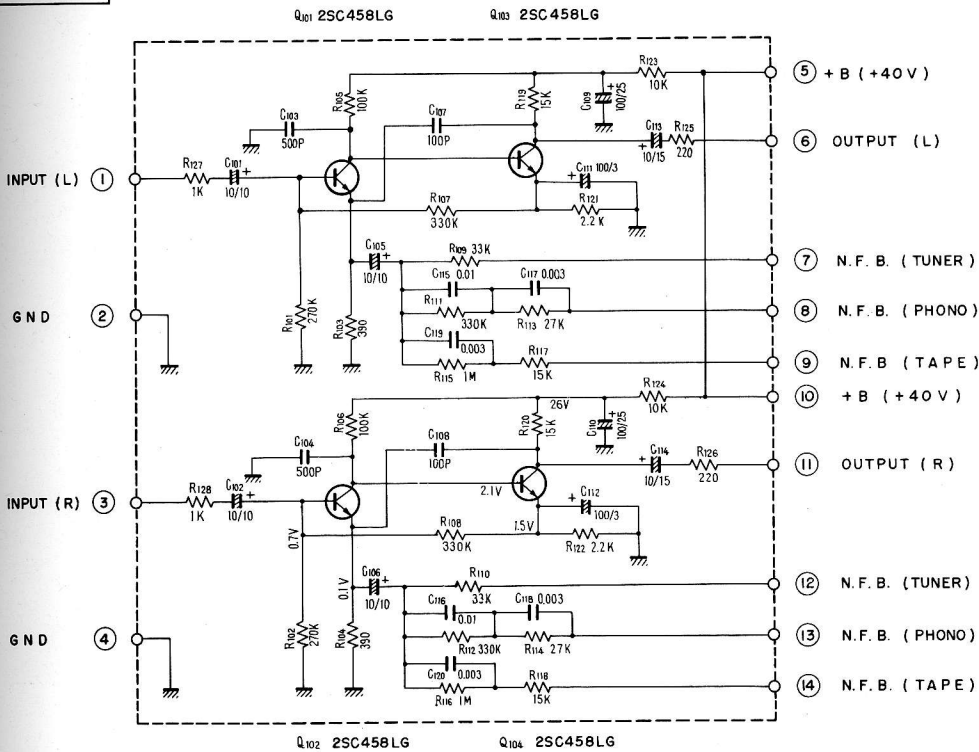
AM TUNER UNIT

AM TUNER UNIT
W14-004



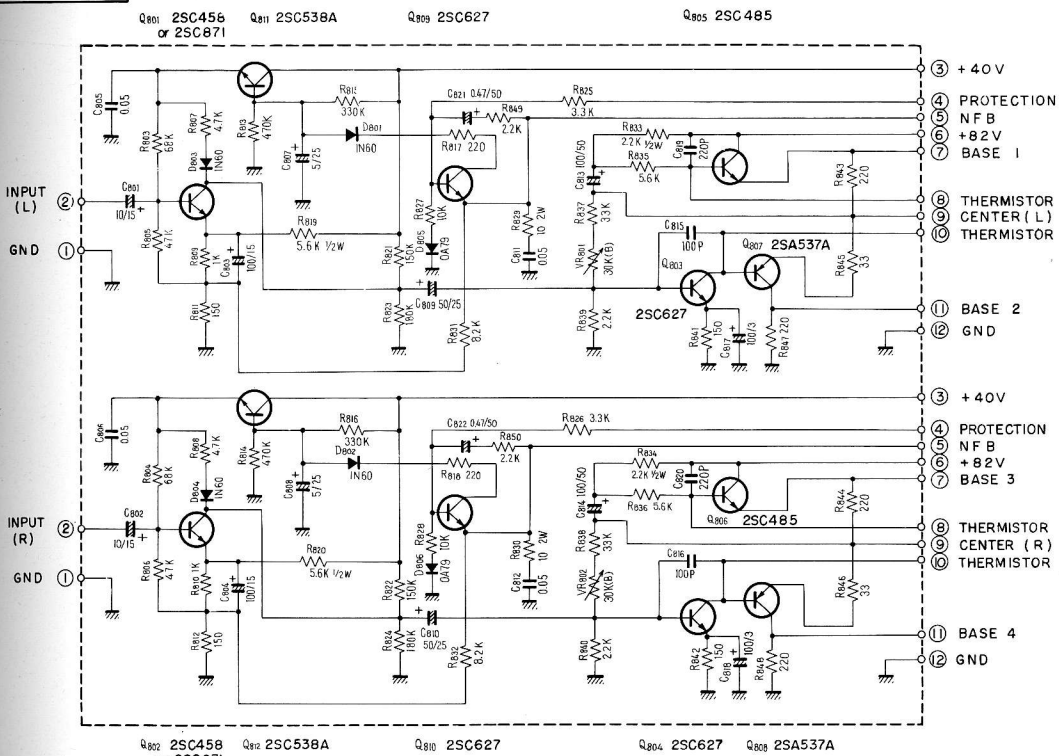
HEAD AMP UNIT

HEAD AMP UNIT
W15-089

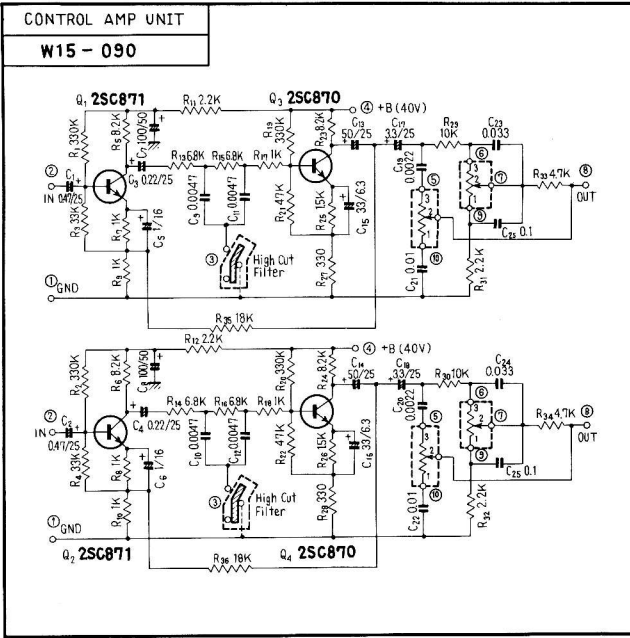


MAIN AMP UNIT

MAIN AMP UNIT
W15-091



CONTROL AMP UNIT



POWER SUPPLY UNIT

