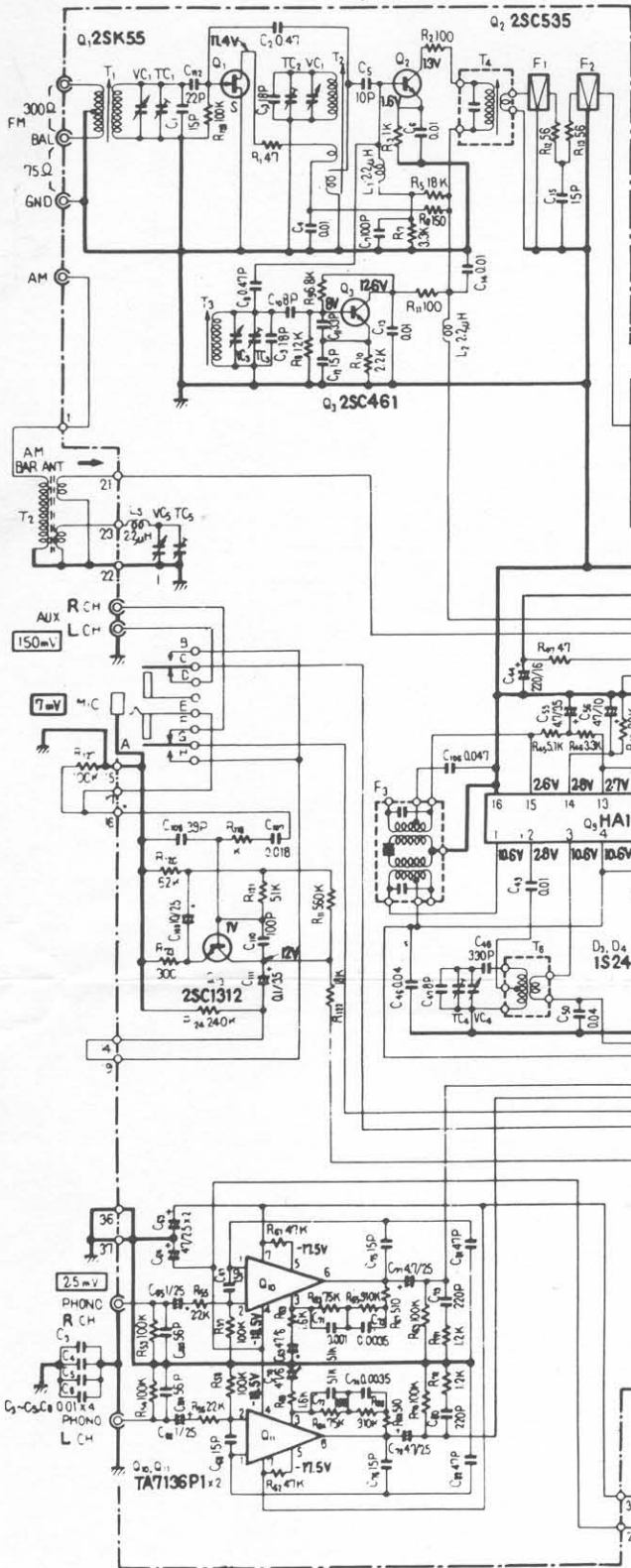


RF Ass'y AWE-072



SWITCHES:

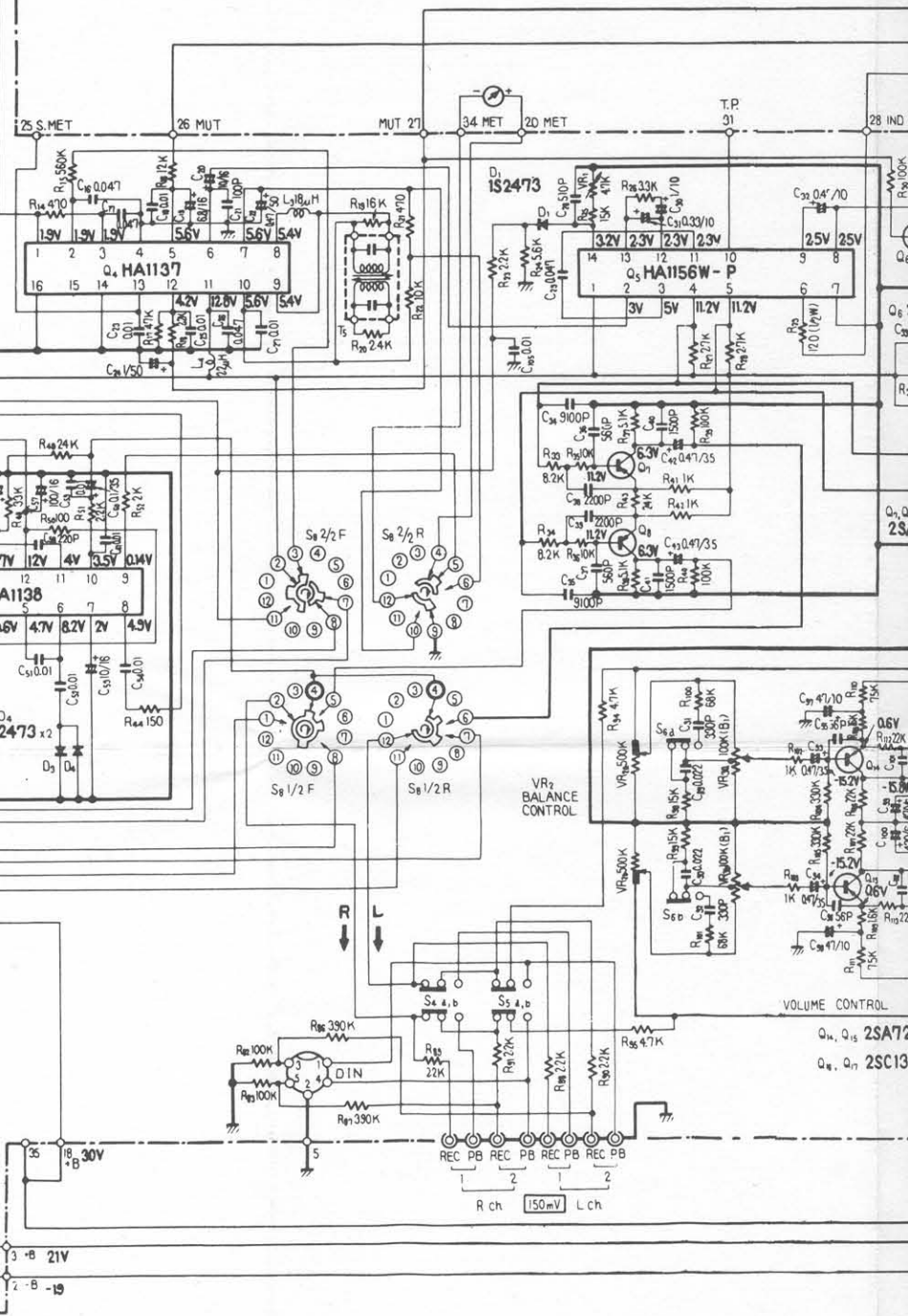
- S₁ SPEAKERS
1. POWER OFF
2. SP A
3. SP OFF
4. SP B
5. SP A+B
- S₂ FM MUTING
ON — OFF
- S₃ MODE
STEREO — MONO
- S₄ TAPE MONITOR 1
OFF — ON

- S₅ TAPE MONITOR 2
OFF — ON
- S₆ LOUDNESS
OFF — ON
- S₇ DE EMPHASIS
75μS — 50μS — 25μS
- S₈ FUNCTION
1. AM
2. FM
3. PHONO
4. AUX/MIC
- S₉ FUSE HOLDER (LINE VOLTAGE)
1. 110V 2. 120V 3. 220V 4. 240

RESISTORS:
IN OHM, 1/4W
OTHERWISE N

CAPACITORS:
IN μF UNLESS

V SIGNAL V
14V/8Ω
V DC VOLTA

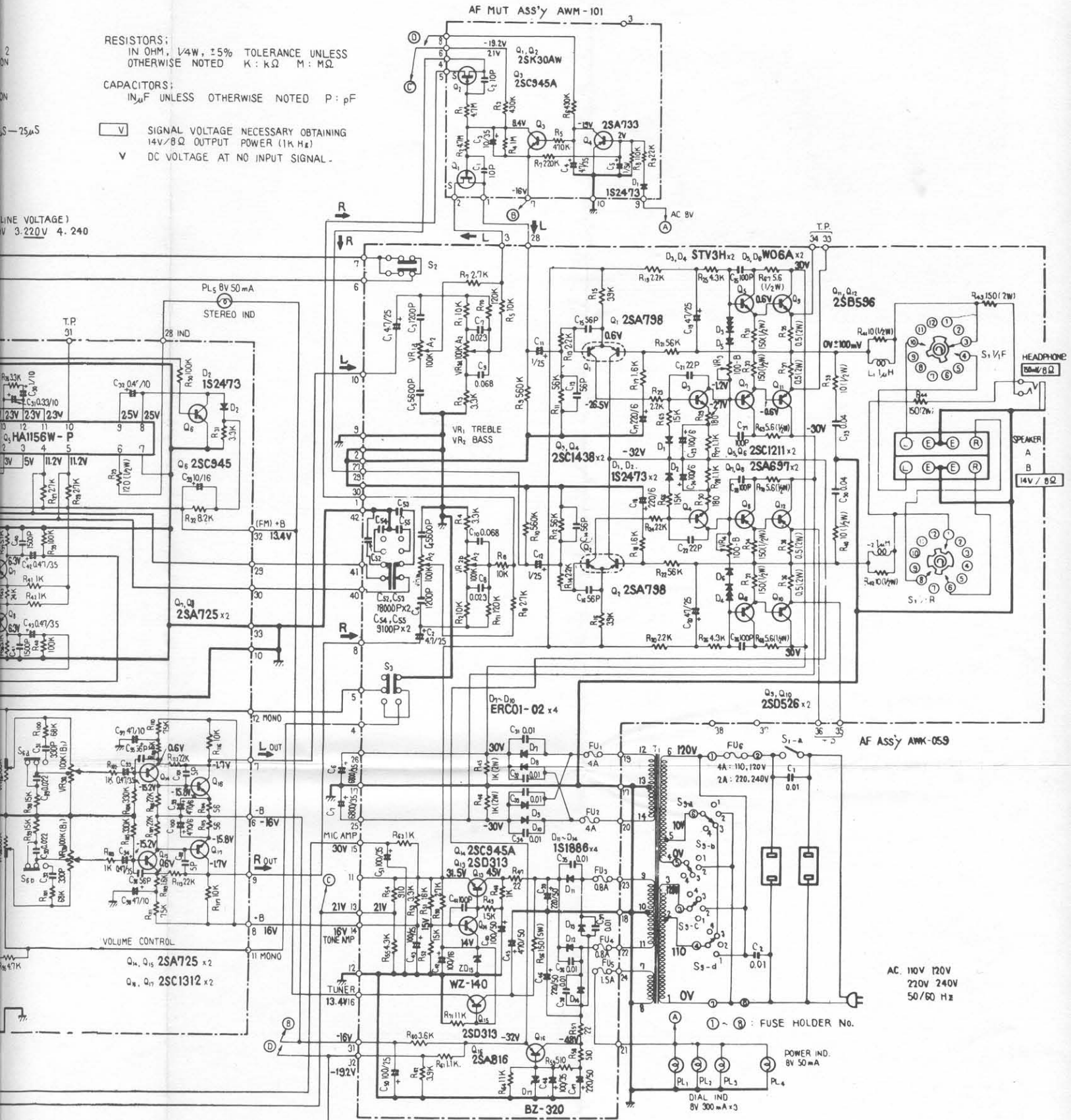


RESISTORS:
IN OHM, 1/4W, ±5% TOLERANCE UNLESS
OTHERWISE NOTED K: kΩ M: MΩ

CAPACITORS:
IN μF UNLESS OTHERWISE NOTED P: pF

V SIGNAL VOLTAGE NECESSARY OBTAINING
14V/8Ω OUTPUT POWER (1K Hz)
V DC VOLTAGE AT NO INPUT SIGNAL

LINE VOLTAGE)
V 3.220V 4.240



AC 110V 120V
220V 240V
50/60 Hz

① ~ ⑧ : FUSE HOLDER No.

POWER IND.
8V 50mA
DIAL IND
8V 300mA x3