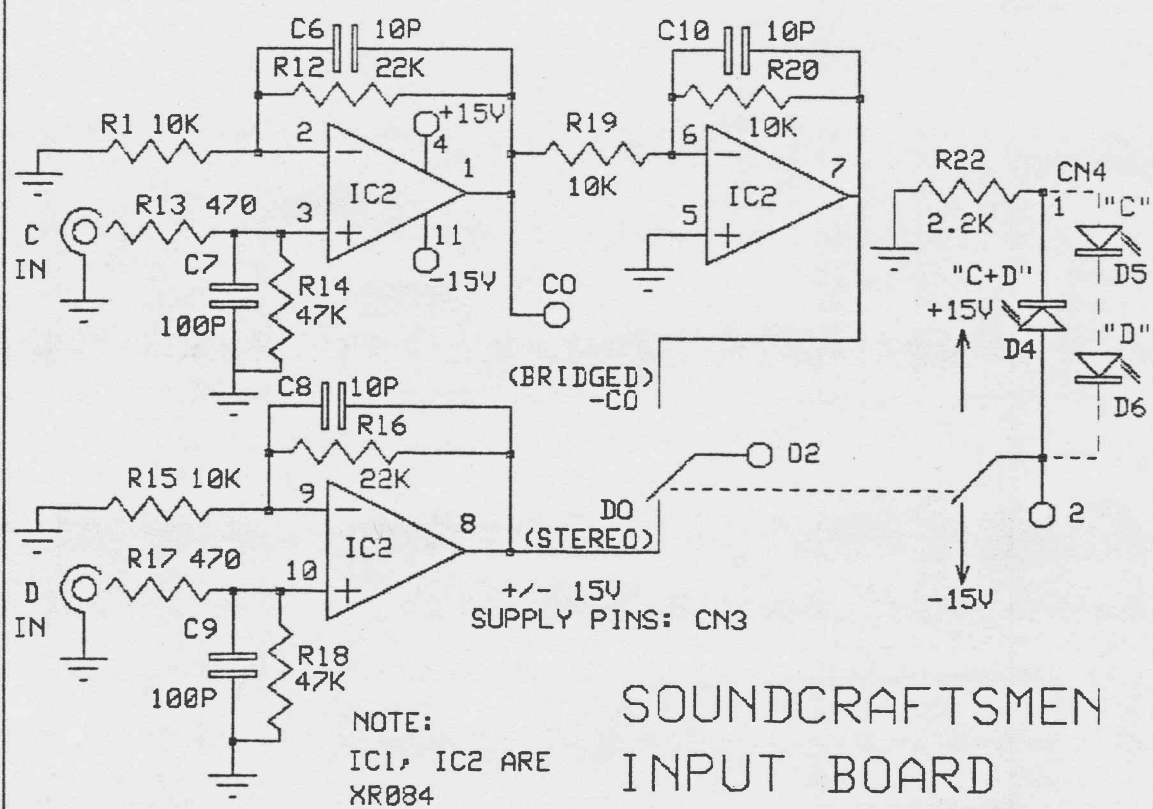
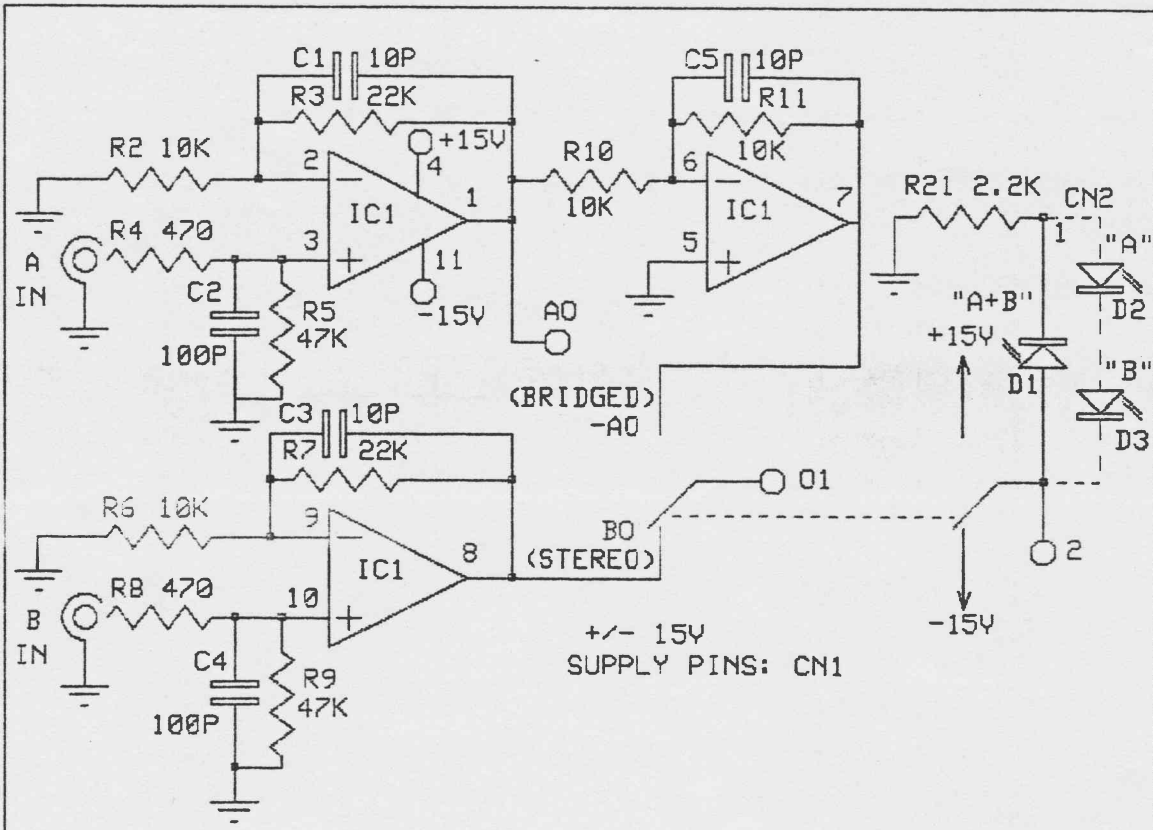


NOTE: RESISTOR VALUES IN OHMS,  
 1/2 WATT, CAPACITOR VALUES IN  
 MICROFARADS UNLESS OTHERWISE  
 SPECIFIED.

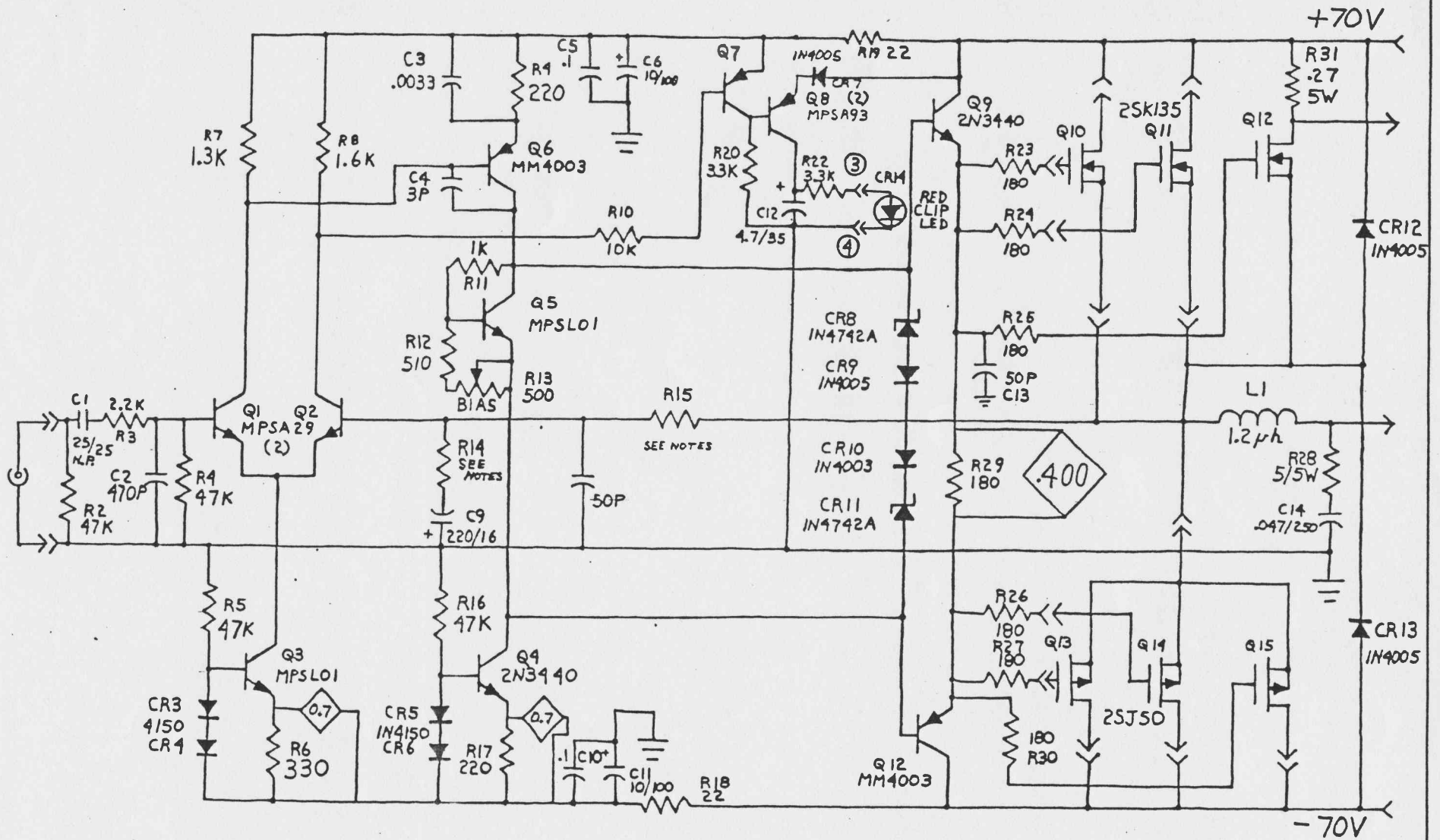
SOUNDCRAFTSMEN  
 POWER SUPPLY BOARD  
 PP10, 300X4 8/88



NOTE:  
IC1, IC2 ARE  
XR084

SOUNDCRAFTSMEN  
INPUT BOARD  
PP10, 300X4

NOTE: DASHED LINES INDICATE  
FUNCTIONS FOR THE 300X4.

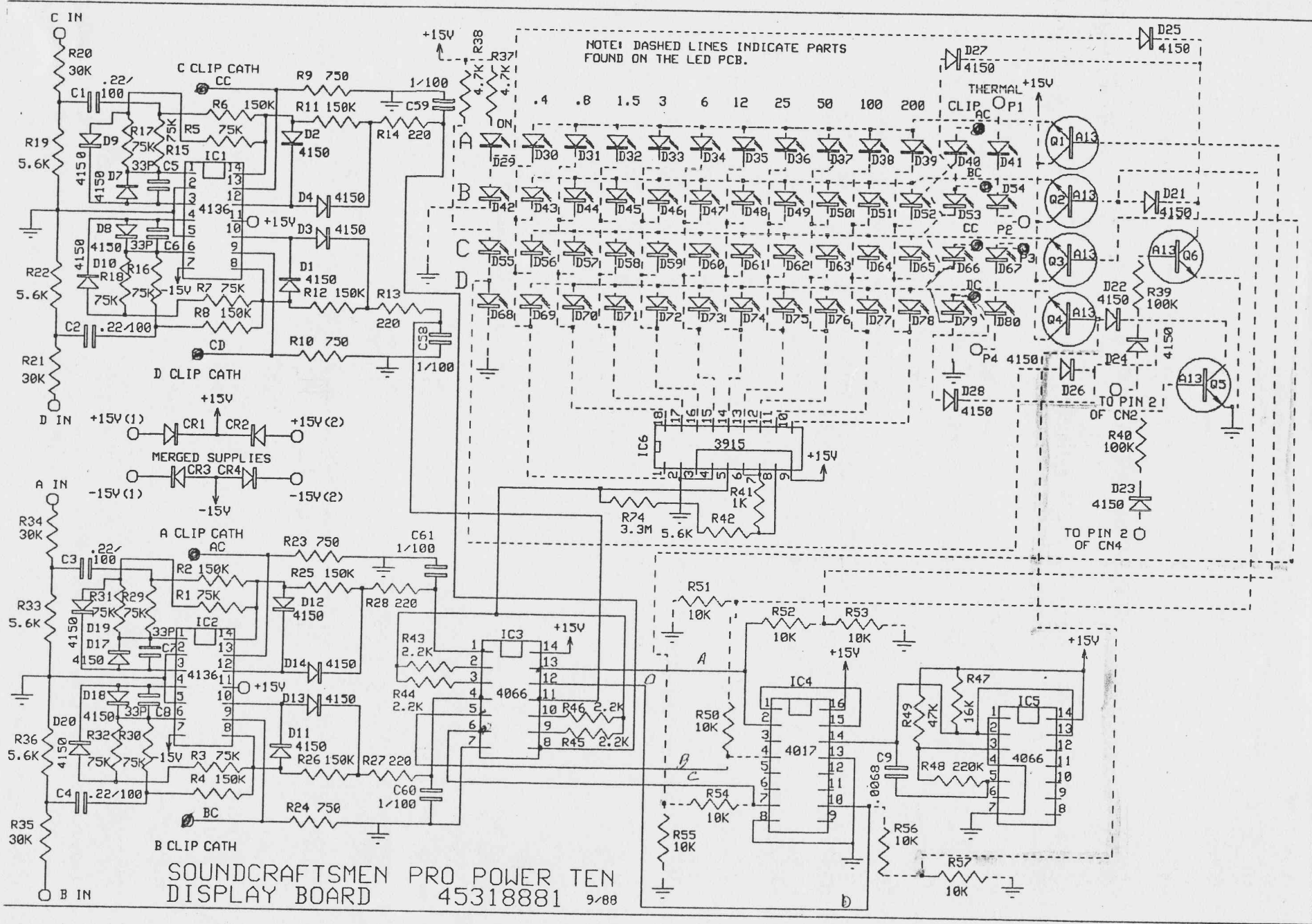


	PRO POWER ONE		PRO POWER FOUR				300X4		PCR800		PM860	
R14	680	1600	1600	1600	1600	680	680	680	680	1600	R14	
R15	22K	16K	16K	16K	16K	22K	22K	22K	22K	16K	R15	
Q12/13	NO	NO	NO	YES	YES	NO	NO	NO	YES	YES	Q12/13	
	PRO POWER THREE		PRO POWER TEN				DJ900		PCR900		450X2	

- NOTES:**
- ① R15=16KΩ AND R14=1600Ω IN MODEL PRO-POWER THREE, FOUR TEN AND 300X4, 450X2 AND 450X2M
  - ② PRO-POWER ONE, THREE, FOUR PCR800 AND PM860 HAVE ONLY FOUR MOSFET OUTPUTS PER CHANNEL.
  - ③ ONLY ONE CHANNEL IS SHOWN
  - ④ CAPACITOR VALUES IN MICROFARADS.
  - ⑤ RESISTOR VALUES IN OHMS ± 5% 1/2W. UNLESS OTHERWISE SPECIFIED.

**Soundcraftsmen Inc.**

DATE: 9-3-91	APPROVED BY:	DESIGNED BY:
Schematic: FOR AMPLIFIER BOARD # 1806		REVISION NUMBER:



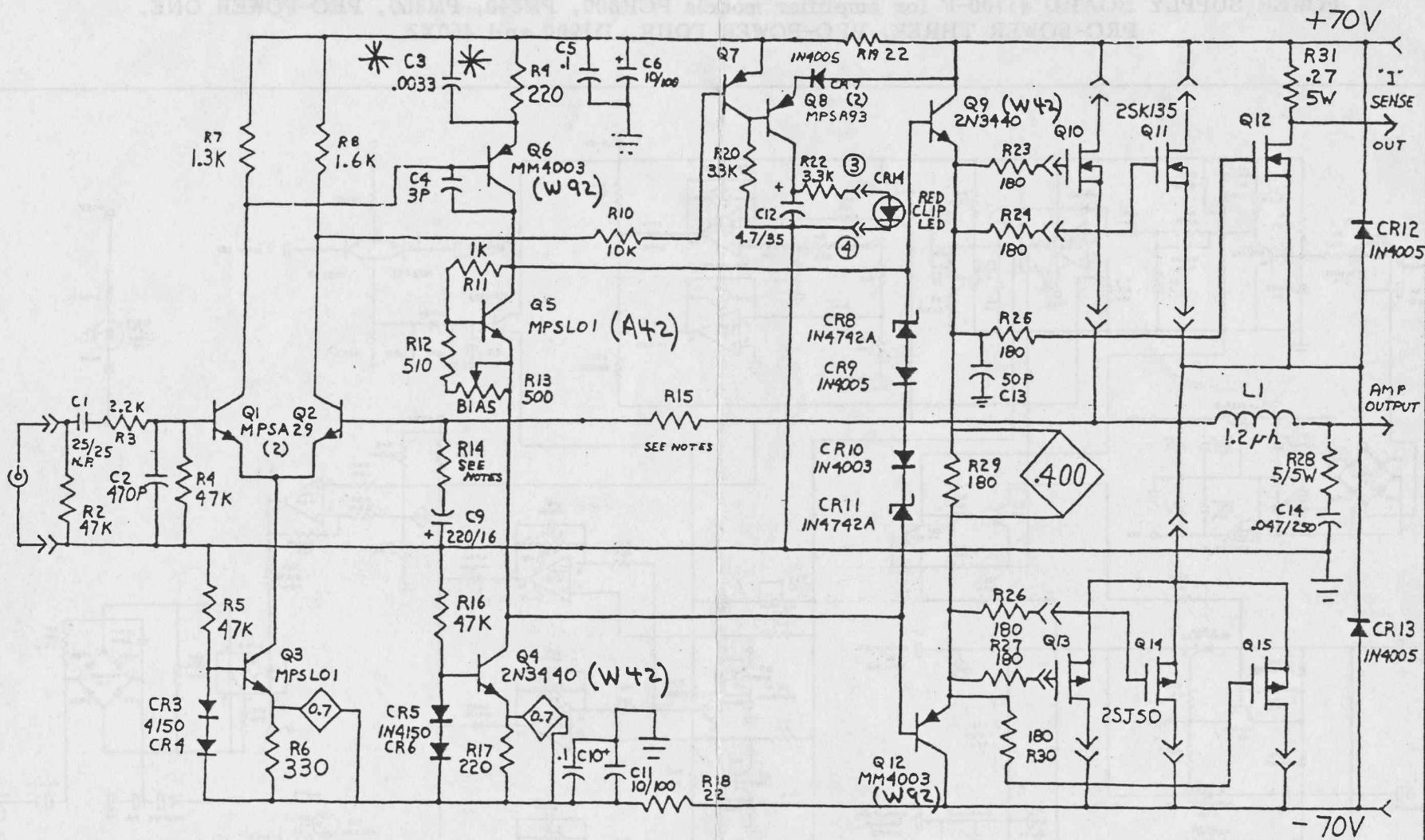
NOTE! DASHED LINES INDICATE PARTS FOUND ON THE LED PCB.

.4 .8 1.5 3 6 12 25 50 100 200

THERMAL CLIP AC P1

SOUNDCRAFTSMEN PRO POWER TEN  
 DISPLAY BOARD 45318881 9/88





	PRO POWER ONE	PRO POWER FOUR	300X4	FCR800	PMB60						
R14	680	1600	1600	1600	680	680	680	680	1600	R14	
R15	22K	16K	16K	16K	22K	22K	22K	22K	16K	R15	
Q12/13	NO	NO	NO	YES	YES	YES	NO	NO	YES	YES	Q12/13
	PRO POWER THREE	PRO POWER TEN	DJ900	FCR810	450X2						

- NOTES:**
- ① R15=16KΩ AND R14=1600Ω IN MODEL PRO-POWER THREE, FOUR, TEN AND 300X4, 450X2 AND 450X2M
  - ② PRO-POWER ONE, THREE, FOUR, FCR800 AND PMB40 HAVE ONLY FOUR MOSFET OUTPUTS PER CHANNEL.
  - ③ ONLY ONE CHANNEL IS SHOWN
  - ④ CAPACITOR VALUES IN MICROFARADS.
  - ⑤ RESISTOR VALUES IN OHMS ± 3% 1/2 W. UNLESS OTHERWISE SPECIFIED.

\* C3 has been removed on S/N 327001 up. If Q6 is W92 transistor, then C3 should be removed.

Soundcraftsmen Inc.

DATE: 9-3-91

Schematic: FOR AMPLIFIER BOARD # 1806

