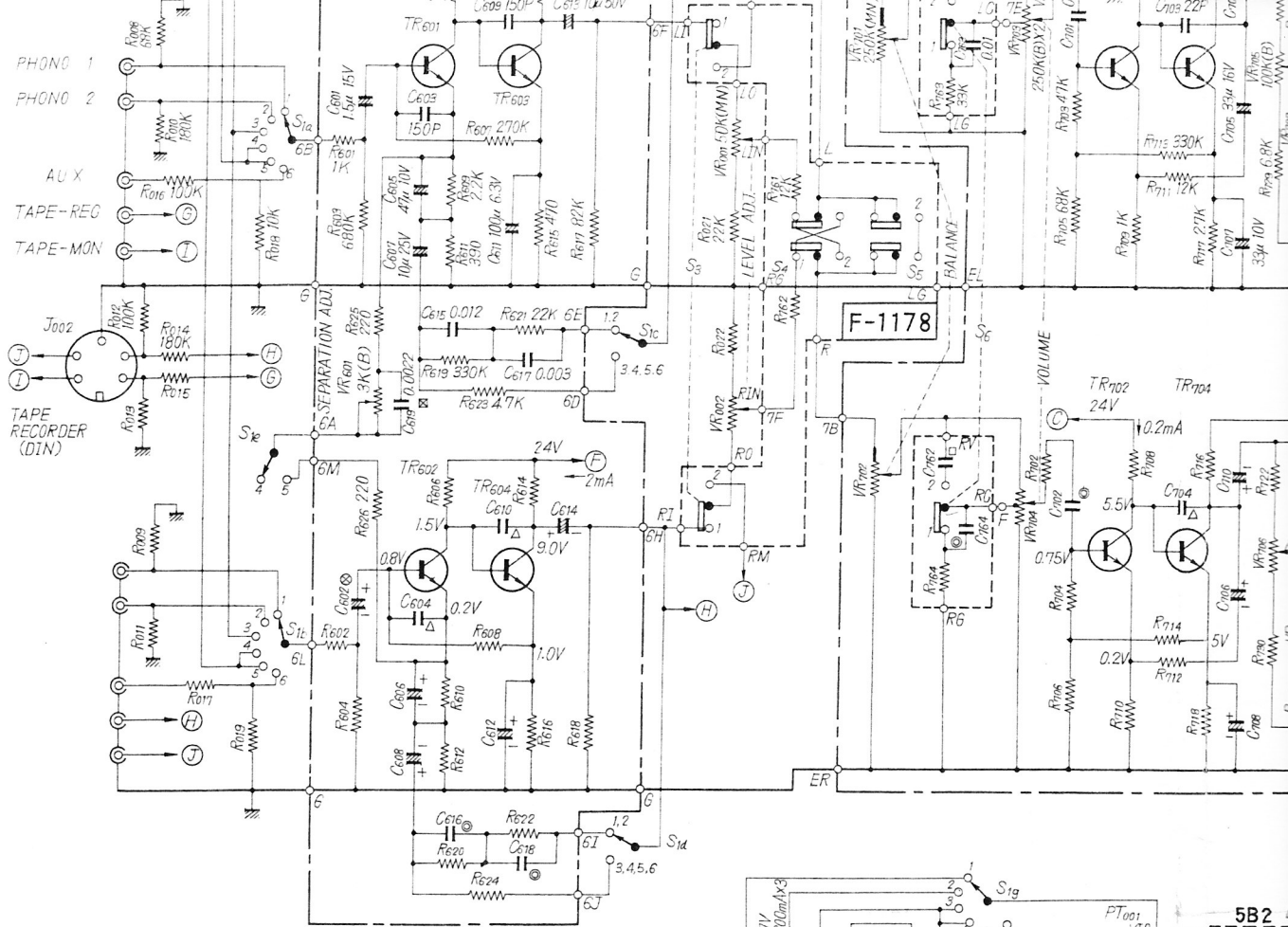
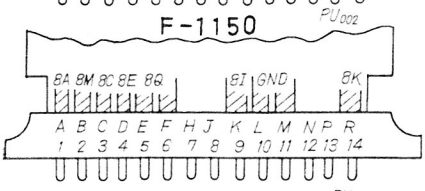
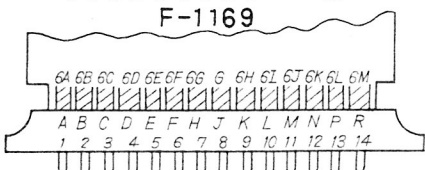
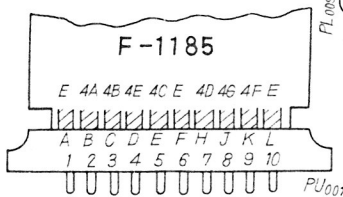
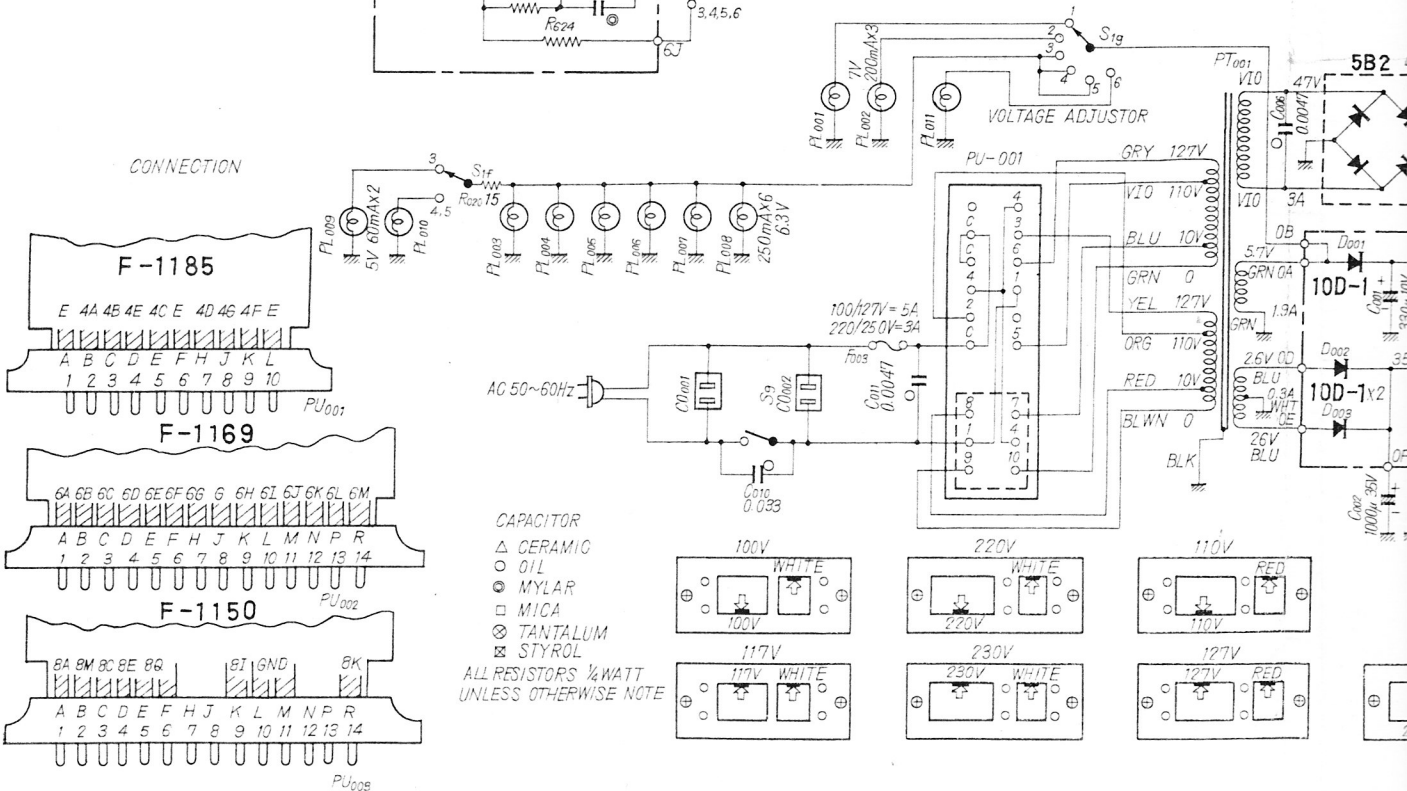


SANSUI 4000 SC



CONNECTION



- CAPACITOR**
- △ CERAMIC
 - OIL
 - MYLAR
 - MICA
 - ⊠ TANTALUM
 - ⊞ STYROL
- ALL RESISTORS 1/4 WATT UNLESS OTHERWISE NOTE

SANSUI 4000 SCHEMATIC DIAGRAM

SELECTOR S₁(a-j)

1. PHONO 1
2. PHONO 2
3. AM
4. FM MONO
5. FM AUTO
6. AUX

S_{2a} SPEAKER (R)

S_{2b} SPEAKER (L)

S₃ TAPE MONITOR

1. OFF 2. ON

S₄ REVERSE

1. OFF 2. ON

S₅ MON

1. OFF 2. ON

S₆ LOUDNESS

1. OFF 2. ON

S₇ HIGH FILTER

1. OFF 2. ON

S₈ LOW FILTER

1. OFF 2. ON

S₉ POWER

S₁₀ ANTENNA

1. DIST 2. LOG

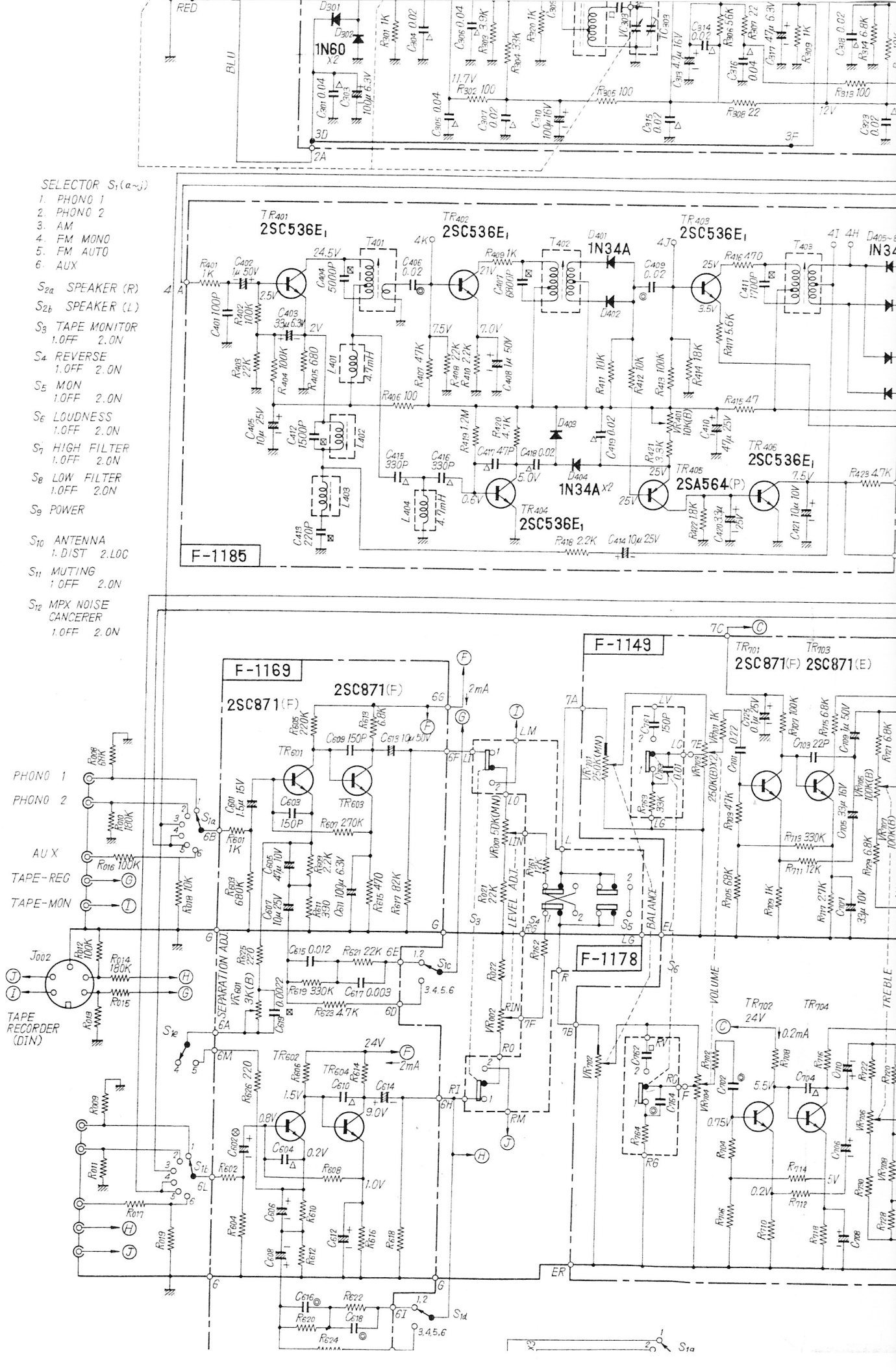
S₁₁ MUTING

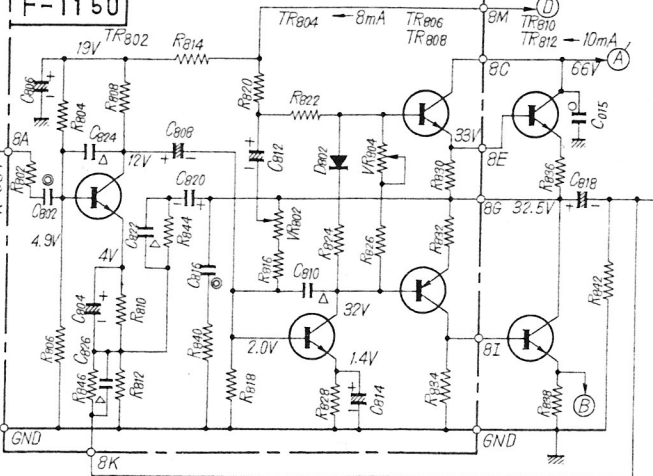
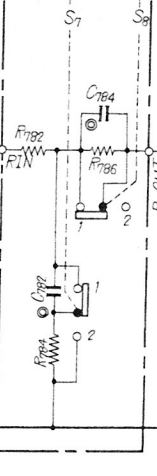
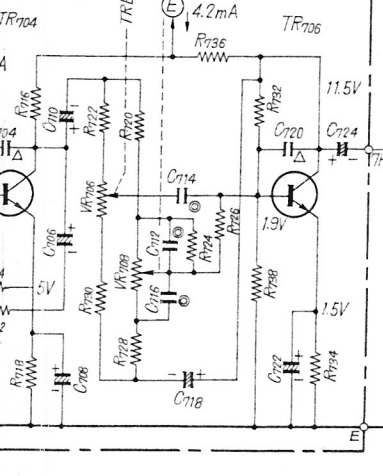
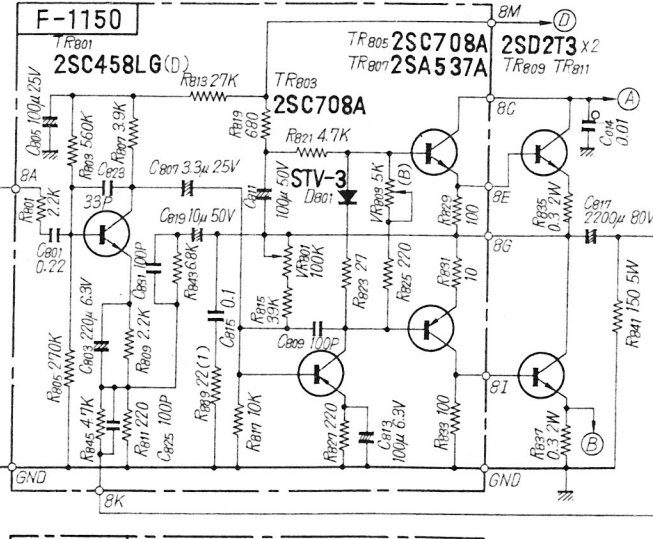
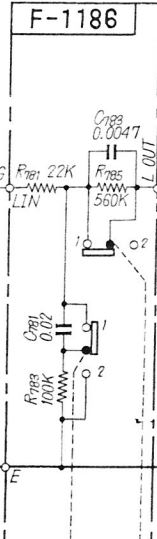
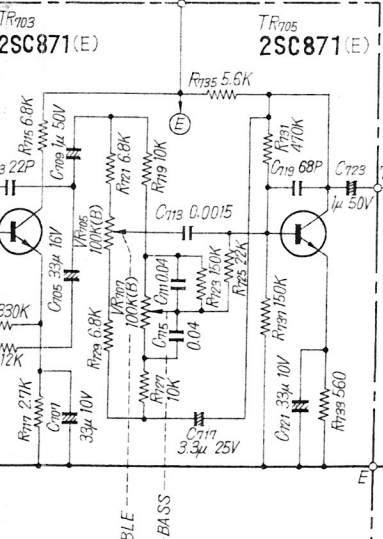
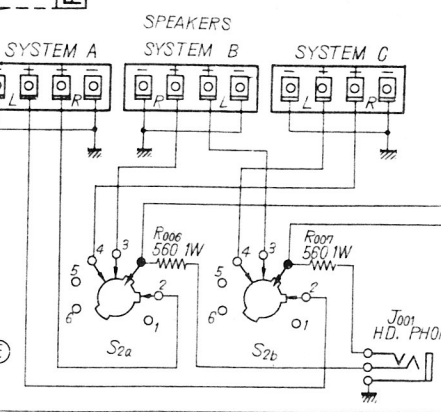
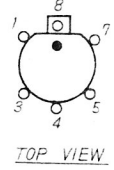
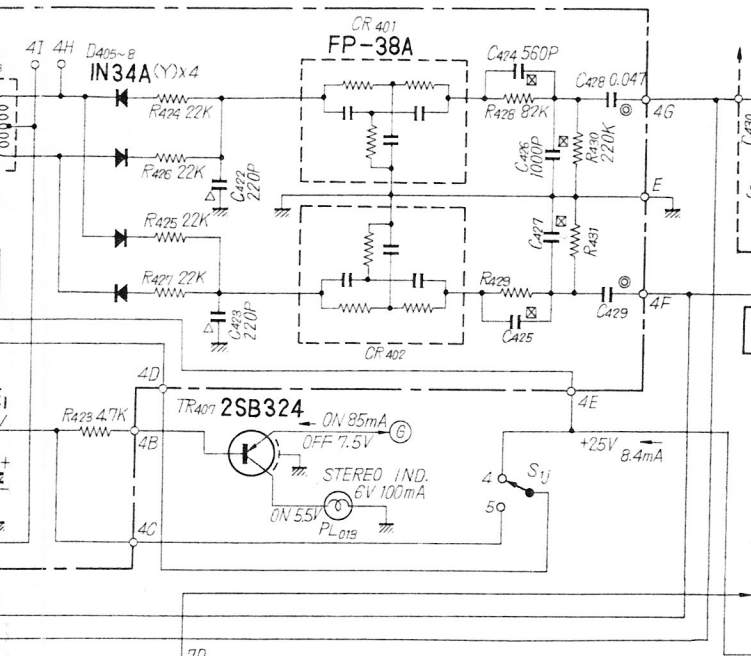
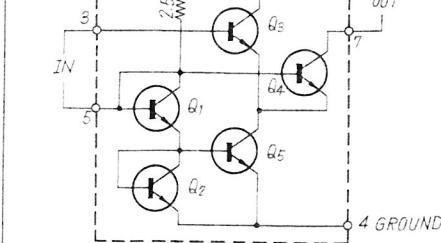
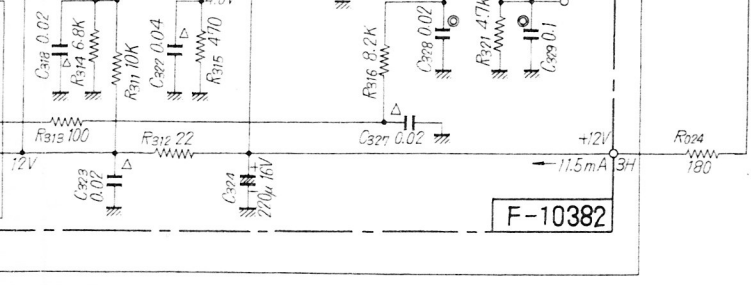
1. OFF 2. ON

S₁₂ MPX NOISE

CANCELER

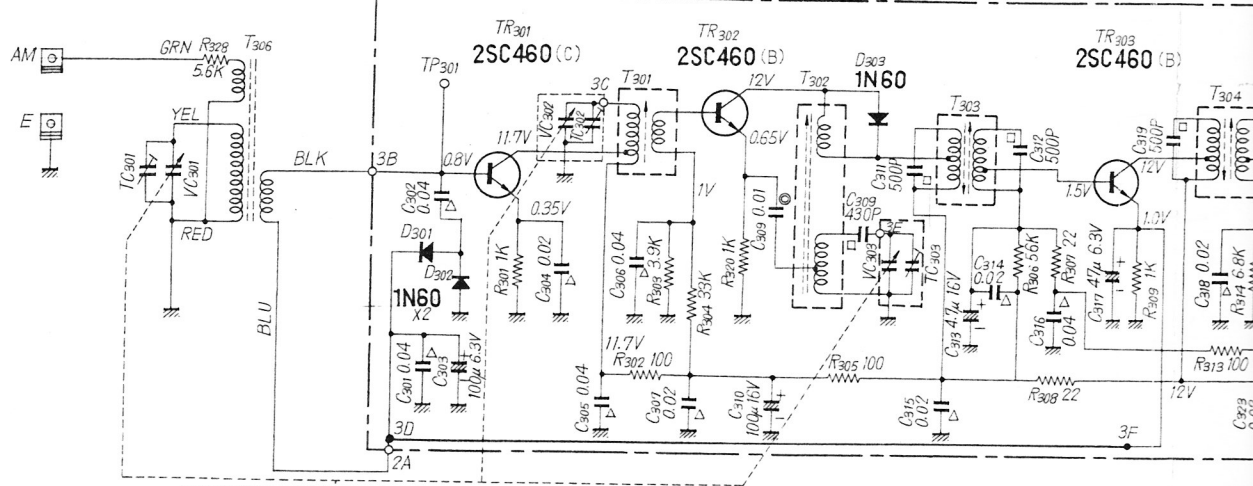
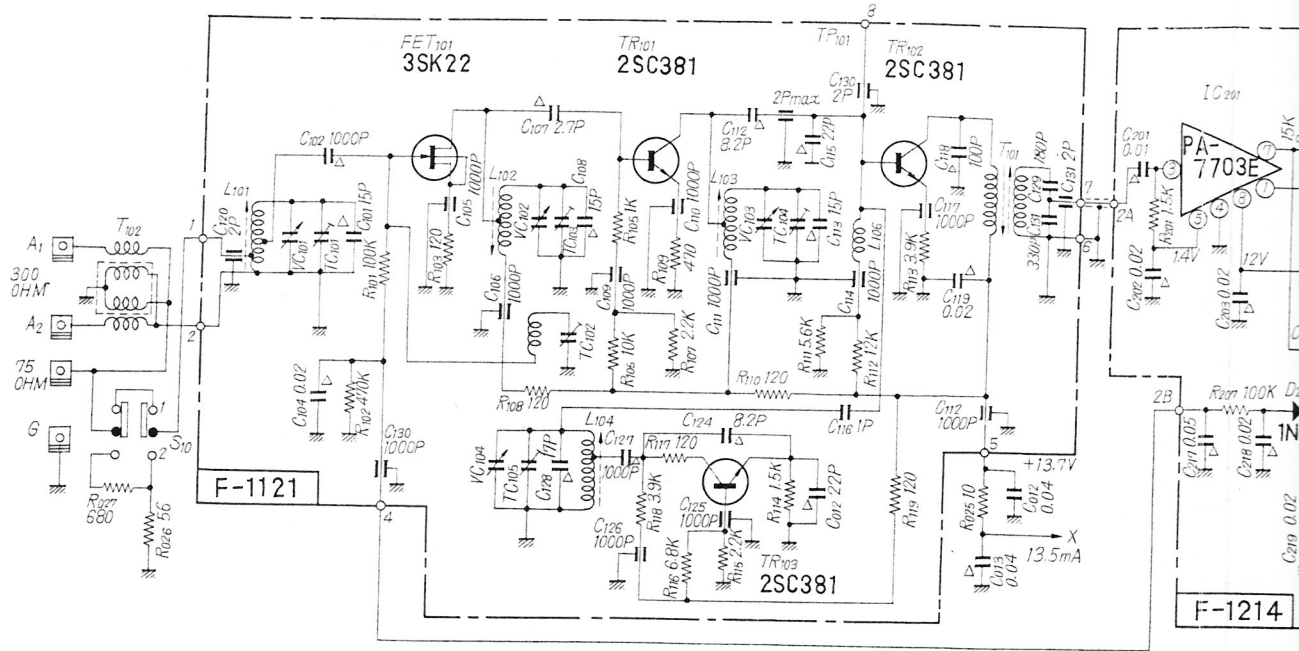
1. OFF 2. ON





PROTECTOR IND.

Schematic Diagram



SELECTOR S₁(a-j)

1. PHONO 1
2. PHONO 2
3. AM
4. FM MONO
5. FM AUTO
6. AUX

- S_{2a} SPEAKER (R)
 S_{2b} SPEAKER (L)
 S₃ TAPE MONITOR
 1.OFF 2.ON
 S₄ REVERSE
 1.OFF 2.ON
 S₅ MON
 1.OFF 2.ON
 S₆ LOUDNESS
 1.OFF 2.ON
 S₇ HIGH FILTER
 1.OFF 2.ON
 S₈ LOW FILTER
 1.OFF 2.ON
 S₉ POWER
 S₁₀ ANTENNA

