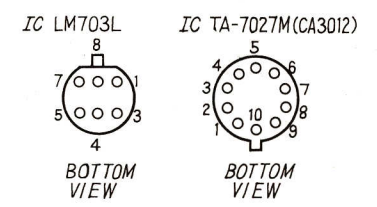
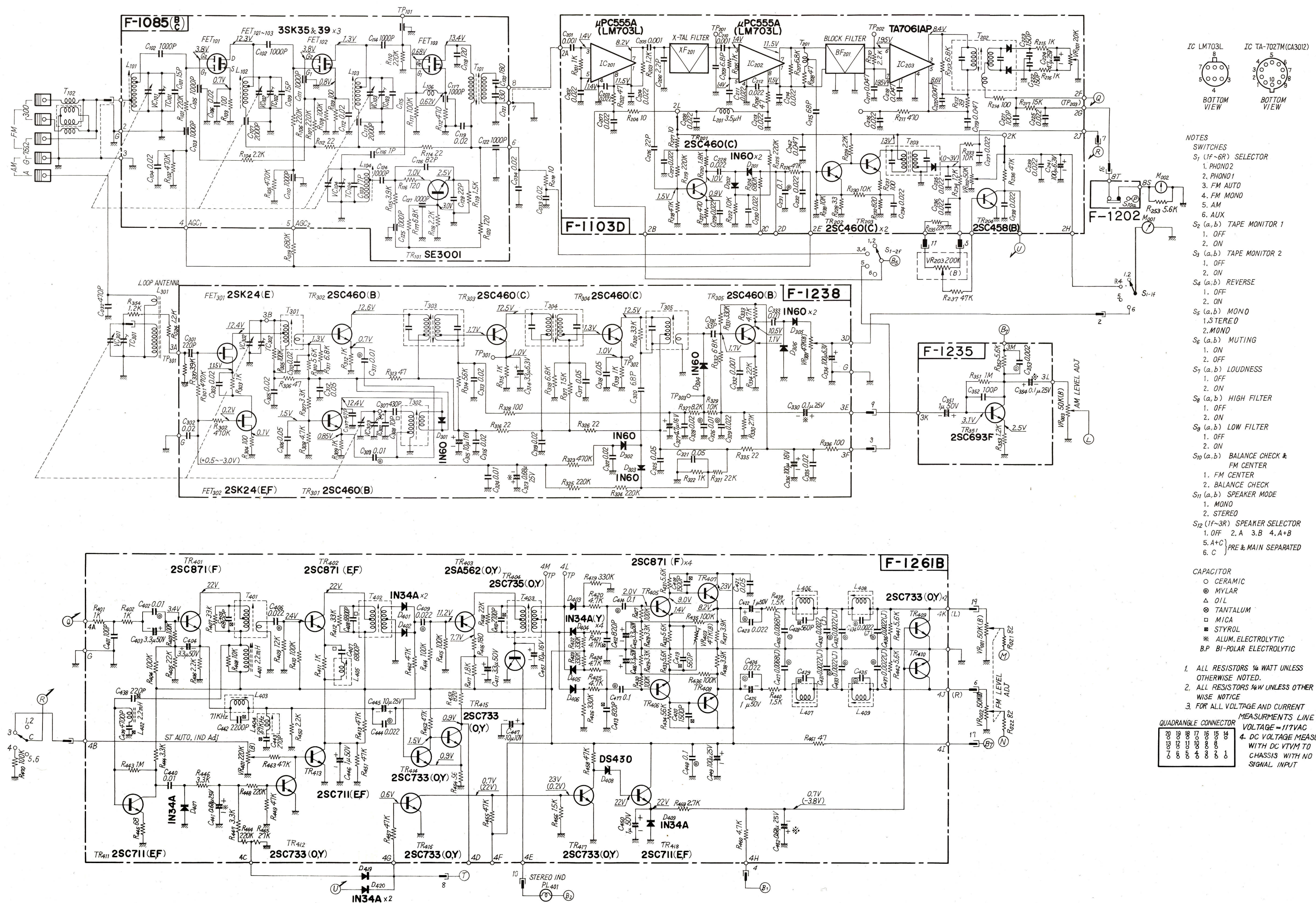


SANSUI EIGHT: SCHEMATIC DIAGRAM No.1

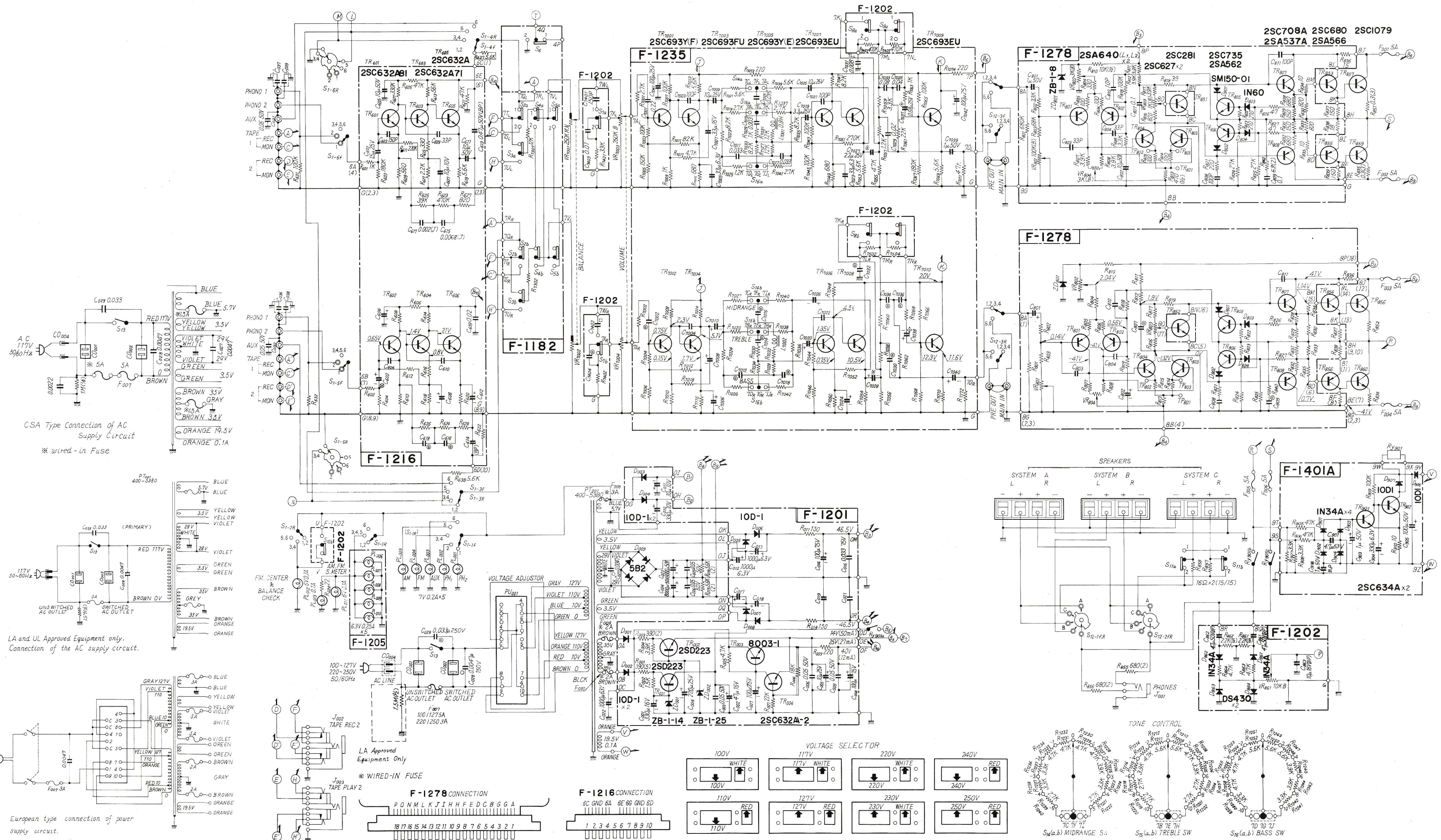


- NOTES
- SWITCHES
- S₁ (F-6R) SELECTOR
 - PHONO2
 - PHONO1
 - FM AUTO
 - FM MONO
 - AM
 - AUX
 - S₂ (a, b) TAPE MONITOR 1
 - OFF
 - ON
 - S₃ (a, b) TAPE MONITOR 2
 - OFF
 - ON
 - S₄ (a, b) REVERSE
 - OFF
 - ON
 - S₅ (a, b) MONO
 - STEREO
 - MONO
 - S₆ (a, b) MUTING
 - ON
 - OFF
 - S₇ (a, b) LOUDNESS
 - OFF
 - ON
 - S₈ (a, b) HIGH FILTER
 - OFF
 - ON
 - S₉ (a, b) LOW FILTER
 - OFF
 - ON
 - S₁₀ (a, b) BALANCE CHECK & FM CENTER
 - FM CENTER
 - BALANCE CHECK
 - S₁₁ (a, b) SPEAKER MODE
 - MONO
 - STEREO
 - S₁₂ (1F-3R) SPEAKER SELECTOR
 - OFF
 - 2.A
 - 3.B
 - 4.A+B
 - 5.A+C
 - 6.C
- PRE & MAIN SEPARATED

- CAPACITOR
- CERAMIC
 - ⊙ MYLAR
 - △ OIL
 - TANTALUM
 - ◇ MICA
 - STYROL
 - ※ ALUM. ELECTROLYTIC
 - B.P BI-POLAR ELECTROLYTIC
1. ALL RESISTORS 1/4 WATT UNLESS OTHERWISE NOTED.
2. ALL RESISTORS 1/2W UNLESS OTHERWISE NOTED
3. FOR ALL VOLTAGE AND CURRENT MEASUREMENTS LINE VOLTAGE = 117VAC
4. DC VOLTAGE MEASURED WITH DC VTVM TO CHASSIS WITH NO SIGNAL INPUT
- QUADRANGLE CONNECTOR
- | | | | | | | | | | | | | | | | | | | | |
|---|---|---|---|---|---|---|---|---|----|----|----|----|----|----|----|----|----|----|----|
| 1 | 2 | 3 | 4 | 5 | 6 | 7 | 8 | 9 | 10 | 11 | 12 | 13 | 14 | 15 | 16 | 17 | 18 | 19 | 20 |
|---|---|---|---|---|---|---|---|---|----|----|----|----|----|----|----|----|----|----|----|

* Design and specifications subject to change without notice for improvements.

SANSUI EIGHT: SCHEMATIC DIAGRAM No.2



* Design and specifications subject to change without notice for improvements.