

EXR-14 XR-2600/2900

SERVICE MANUAL

US Model
EXR-14

US Model
Canadian Model
XR-2600/2900



Photo: XR-2900 model

Model	EXR-14, XR-2600	XR-2900
Model Name Using Similar Mechanism	EXR-12, XR-6077	New
Tape Transport Mechanism Type	MG-36SHJ-32	MG-36ASH-32

SPECIFICATIONS

AUDIO POWER SPECIFICATIONS

POWER OUTPUT AND TOTAL HARMONIC DISTORTION

10 watts per channel minimum continuous average power into 4 ohms, both channels driven, from 30 to 20,000 Hz with no more than 1.0% total harmonic distortion.

Tuner section

FM	
Tuning range	87.5 – 107.9 MHz
Antenna terminal	External antenna connector/Power antenna relay control lead
Usable sensitivity	13 dBf (75 ohms)
Selectivity	more than 70 dB at 400 kHz
Signal-to-noise ratio	65 dB (stereo), 68 dB (monaural)
Harmonic distortion at 1 kHz	0.9% (stereo), 0.5% (monaural)
Separation	35 dB at 1 kHz
Frequency response	30 – 15,000 Hz (±3 dB)
Capture ratio	2.0 dB

AM

Tuning range	530 – 1,710 kHz
Antenna terminal	External antenna connector/Power antenna relay control lead
Sensitivity	32 μV

Cassette player section

Tape track	4-track 2-channel stereo
Frequency response	40 – 15,000 Hz
Signal-to-noise ratio	

Cassette type	Dolby B*	Dolby off
TYPE II, IV	66 dB	58 dB
TYPE I	63 dB	55 dB

* XR-2900 only

Wow and flutter

0.13%

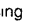
Power amplifier section

Outputs	Speaker outputs (sure seal connectors)
Speaker impedance	3.2 – 8 ohms
Maximum power output	22 W × 2 (at 4 ohms) 6 W × 4 (at 4 ohms)

General

Tone controls	Bass ±8 dB at 100 Hz Treble ±8 dB at 10 kHz +10 dB at 100 Hz
Loudness	+10 dB at 100 Hz
Power requirements	12 V DC car battery (negative ground)
Mounting dimensions	Approx. 178 × 50 × 134 mm (w/h/d) (7 1/8 × 2 × 5 3/8 in.)
Mass	Approx. 1.2 kg (2 lb. 10 oz.)
Accessories supplied	Mounting hardware (1 set) Power connecting cord (1)

Design and specifications subject to change without notice

Dolby noise reduction manufactured under license from Dolby Laboratories Licensing Corporation. "DOLBY" and the double-D symbol  are trademarks of Dolby Laboratories Licensing Corporation.

FM/AM CASSETTE CAR STEREO
SONY®



Features

Tuner section

- SSIR (Sony Super Interference Rejection) PLL Synthesizer tuner.
- The quartz-locked digital synthesizer system enables easy and accurate tuning.
- Up to 12 FM and 6 AM stations can be preset.
- Automatic memory function allows you to store a total of 18 stations in the memory quickly and easily.
- Dolby B NR system* reduces tape hiss noises during tape playback.
- AMS (Automatic Music Sensor)* function for automatically locating the beginning of a track during tape playback.

*XR-2900 only.

Cassette player section

The auto-reverse function changes the tape direction automatically.

Power amplifier section

- Fader control for playback with a 4-speaker system.
- Maximum power output of 6 watts over 4 channels or 22 watts over 2 channels.

General

The quartz controlled digital clock.

SERVICING NOTE

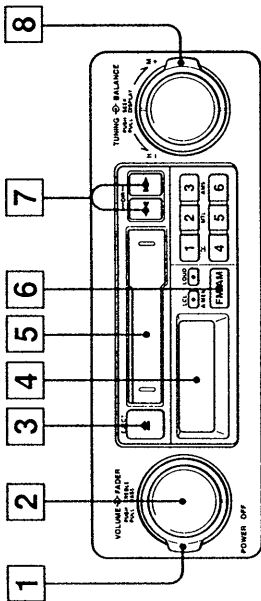
Notes on chip component replacement

- Never reuse a disconnected chip component.
- Notice that the minus side of a tantalum capacitor may be damaged by heat.

TABLE OF CONTENTS

<u>Section</u>	<u>Title</u>	<u>Page</u>	
Specifications	1	
Features	2	
Servicing Note	2	
1. GENERAL			
Location and Function of Controls	3	
Installation	4	
Connections	5	
2. DISASSEMBLY			6
3. ADJUSTMENTS			
3-1. Mechanical Adjustment	7	
3-2. Electrical Adjustments	7	
4. DIAGRAMS			
4-1. Block Diagram	11	
4-2. Semiconductor Lead Layouts	14	
4-3. Printed Wiring Boards (EXR-14/XR-2600 model)	16	
4-4. Schematic Diagram (EXR-14/XR-2600 model)	19	
4-5. Schematic Diagram (XR-2900 model)	23	
4-6. Printed Wiring Boards (XR-2900 model)	27	
5. EXPLODED VIEWS			
5-1. Chassis Assembly-1	31	
5-2. Chassis Assembly-2	32	
5-3. MD Assembly-1	33	
5-4. MD Assembly-2	34	
6. ELECTRICAL PARTS LIST			35
Hardware List	41	

Location and Function of Controls



Refer to the page in ● for details.

- 1 FADER control**
Turn clockwise to decrease the volume of the rear speakers or counterclockwise to decrease the volume of the front speakers.
- 2 POWER OFF (power on/off) switch/VOLUME/PUSH TREBLE/PULL BASS control**
POWER OFF switch Turn clockwise to turn on the unit and counterclockwise to turn off.
VOLUME control Turn clockwise to increase volume and counterclockwise to decrease.
PUSH TREBLE control Turn to adjust treble while pressing.
PULL BASS control Turn to adjust bass while pulling.

- 3 EJECT button**
Press to stop the tape and take out the cassette.
- 4 Display window**
- 5 Cassette insertion door**
- 6 FM/AM (band select) button**
Each pressing on the button changes the band cyclically as follows:
FM1 → FM2 → AM → FM1 → ...
- 7 ◀◀ / ▶▶ (fast winding)/DIR (tape transport direction change) buttons**
To listen to the other side of the cassette Press ◀◀ and ▶▶ simultaneously.
To wind the tape rapidly

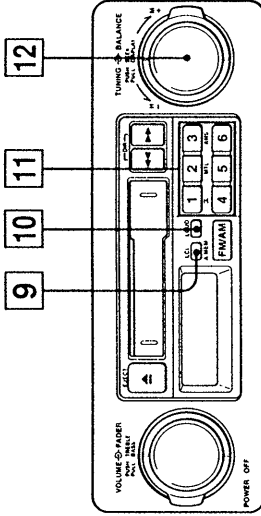
▶	To advance	To rewind
Press ▶▶	Press ◀◀	Press ▶▶
Press ◀◀	Press ◀◀	Press ▶▶

To resume playback, press ◀◀ or ▶▶ lightly, which is not pressed.

- 8 BALANCE control**
Turn to adjust the balance of the left and right speakers.

SECTION 1 GENERAL

This section is extracted from XR2600/2900 instruction manual.



- 9 LCL (local)/A.MEM (automatic memory) button**
LCL button Press to eliminate interference from adjacent stations during reception of a station with comparatively strong broadcasting signals. To go back to the normal receiving sensitivity, press it again.
A.MEM button Press for more than two seconds to memorize the stations automatically.

- 10 LOUD (loudness) button**
Press to reinforce bass especially when listening at low volume. To disengage the button, press it again.

- 11 Preset number buttons**
XR-2900 XR-2600
1 Select the same Dolby NR system used for the recorded cassette.
2 "MTL" indication appears on the display window. To listen to the normal (TYPE I) tapes, press it again.
3 AMS (automatic music sensor) button
4
5
6 Preset number buttons

- 12 TUNING/PUSH SEEK/PULL DISPLAY knob**
TUNING knob Turn to manually tune in the desired station.
PUSH SEEK knob Press for automatic tuning.
PULL DISPLAY knob Pull to display the time indication during radio reception.
Use this knob also for clock setting.

Installation

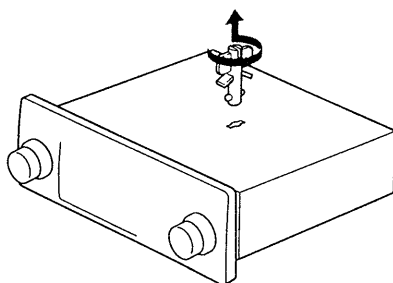
Precautions

- Choose the mounting location carefully so that the unit will not interfere with the normal driving functions of the driver.
- Avoid installing the unit where it should be subject to high temperatures, such as from direct sunlight or hot air from the heater, or where it would be subject to dust, dirt or excessive vibration.
- Use only the supplied mounting hardware for a safe and secure installation.

Basic Installation

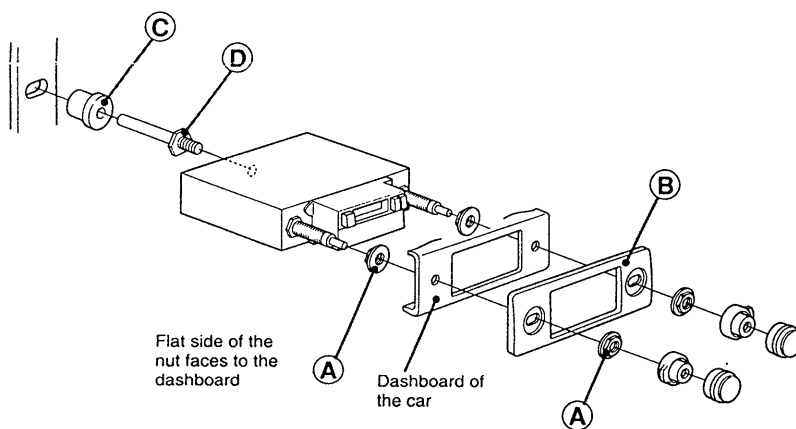
Use the mounting hardware supplied with the unit.

Remove the transit lock.



Turn 90° and then pull it out.

Mount the unit.



Connections

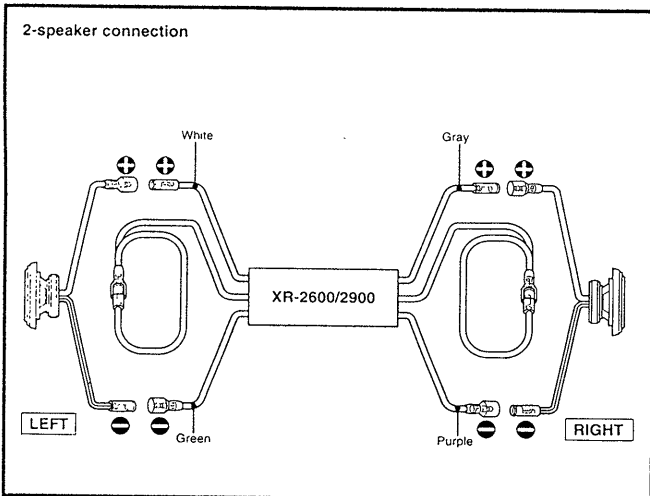
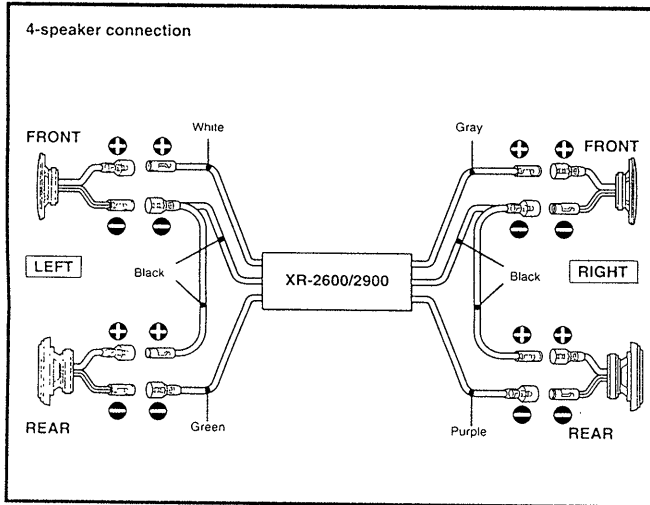
Caution

- This unit is designed for negative ground 12 V DC operation only.
- Before making connections, disconnect the ground terminal of the car battery to avoid short circuits.
- Connect the red power input lead only after all other leads are connected. Be sure to connect it to the positive 12 V power terminal which will be energized when the ignition key is set to the accessory position.
- Run all ground wires to a common ground point.

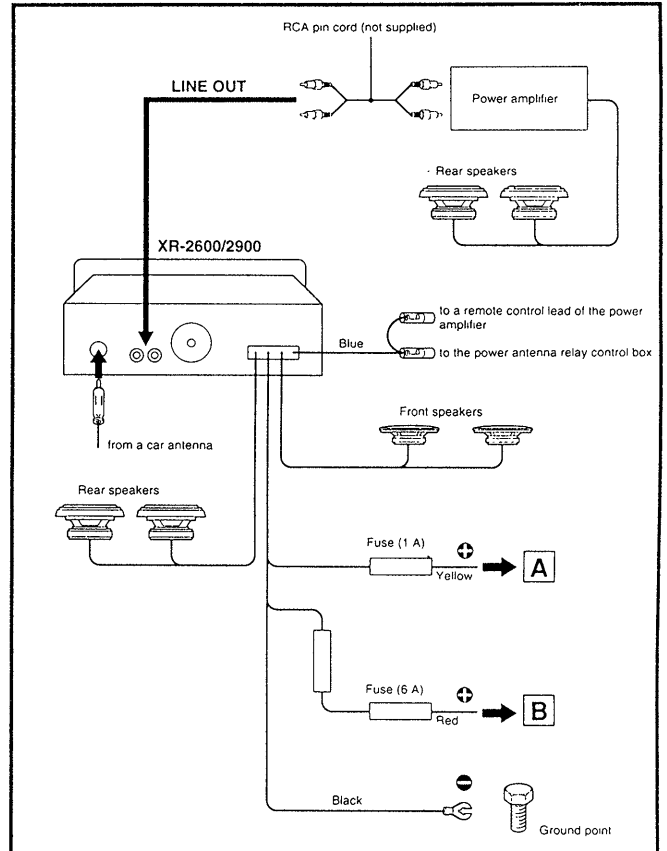
Speaker Connection

Notes on speaker connection

- Use speakers with an impedance of 3 2 to 8 ohms, and with adequate power handling capacities. Otherwise, the speakers may be damaged.
- Do not connect the terminals of the speaker system to the car chassis, and do not connect the terminals of the right speaker with those of the left speaker.
- Do not attempt to connect the speakers in parallel.



Connection Diagram



Destination

- A** To the +12 V terminal which is energized at all times
- B** To the +12 V power terminal which is energized with the ignition key in the accessory position

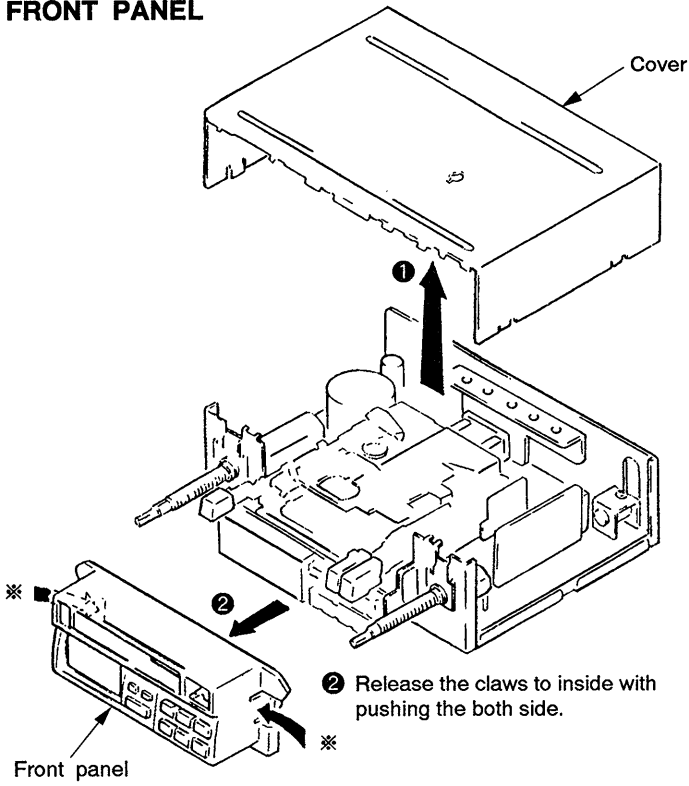
Cord color

Red	Power input lead
Yellow	Power input lead
Blue	Power antenna relay control lead/Power amplifier control lead
Black	Ground wire

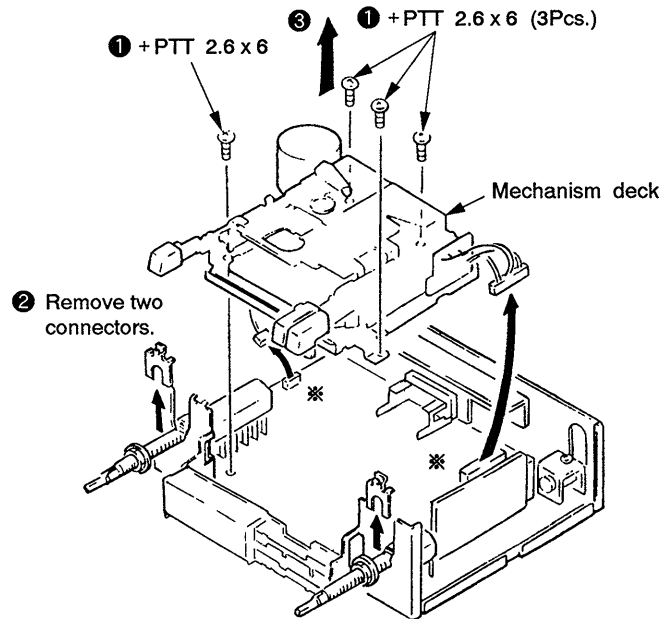
SECTION 2 DISASSEMBLY

Note: Follow the disassembly procedure in the numerical order given.

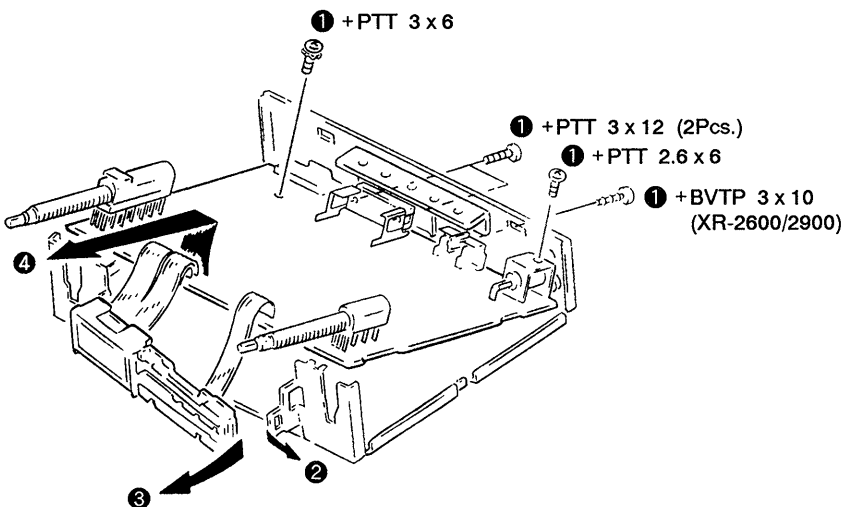
FRONT PANEL



MECHANISM DECK



MAIN BOARD/CONTROL BOARD



SECTION 3 ADJUSTMENTS

3-1. MECHANICAL ADJUSTMENT

No mechanical adjustments applied to this unit.

• Torque Measurement

Mode	Torque Meter	Torque
FWD	CQ-102B	40 to 75 g · cm
REV	CQ-102RB	(0.56 to 1.05 oz · inch)
FF	CQ-201A	45 to 150 g · cm
REW		(0.62 to 2.08 oz · inch)

3-2. ELECTRICAL ADJUSTMENTS

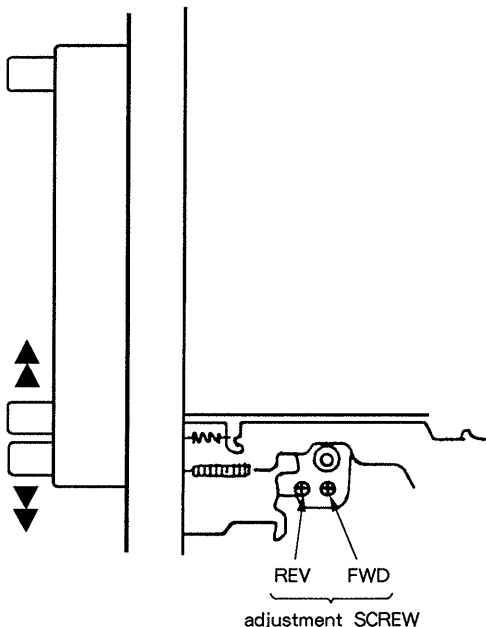
Note: The adjustment should be performed in the order given in this service manual.
The adjustments should be performed for both L-CH and R-CH.

- Power-supply voltage is +14.4V DC as per Ad Hoc recommendation.
- Switches and controls should be set as follows unless otherwise specified.

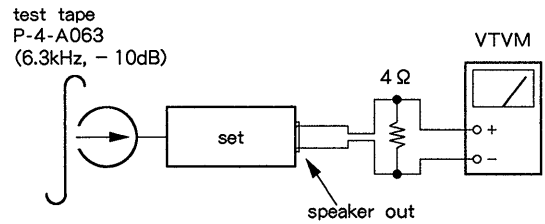
POWER switch : ON
BALANCE control : center click

TAPE SECTION

Adjustment Location:

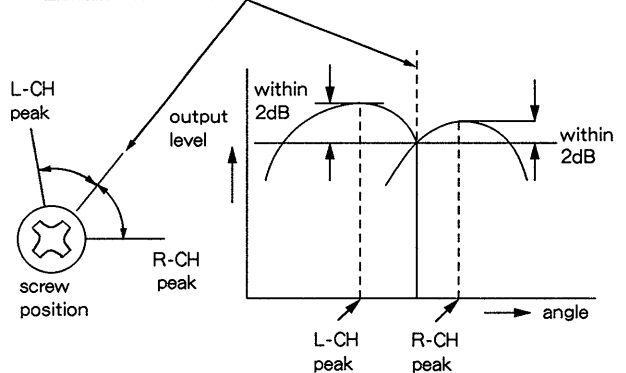


Playback Head Azimuth Adjustment

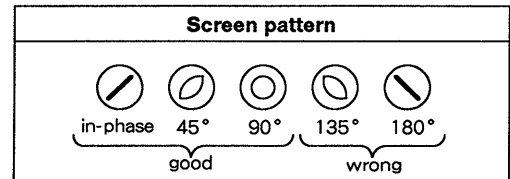
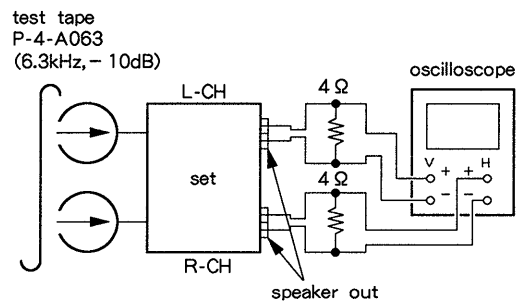


Procedure:

1. Mode : playback
Adjust for forward (▶) direction and reverse (◀) direction.
2. Turn the adjustment screw for the maximum output levels. If these levels do not match, turn the adjustment screw until both of output levels match together within 2dB.



3. Phase Check
Confirm that phase difference between L-channel and R-channel is within 90° .

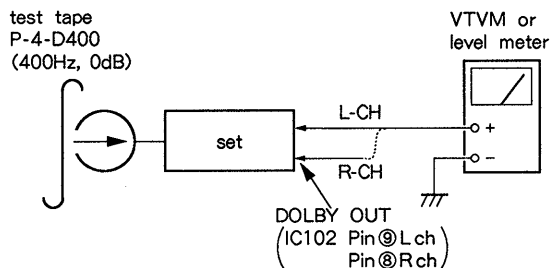


4. Repeat the above adjustment for reverse playback mode.
5. After the adjustment, lock the screw with locking compound.

DOLBY NR Level Adjustment (XR-2900)

Setup:

DOLBY NR switch : OFF
METAL switch : OFF



Procedure:

1. Put the set into the FWD PB mode.
2. Adjust RV101 (L-CH) so that VTVM reading is $-10\text{dB} \pm 1\text{dB}$.
3. Adjust RV201 (R-CH) so that VTVM reading is $-10\text{dB} \pm 1\text{dB}$.
4. Put the set into the REV PB mode.

FM SECTION

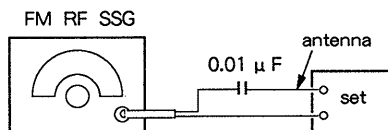
(The FM front-end is carefully adjusted at the factory and is supplied as one whole block for replacement.)

FM IF Adjustment

Setup:

Note: center-zero meter should be of high input impedance type.

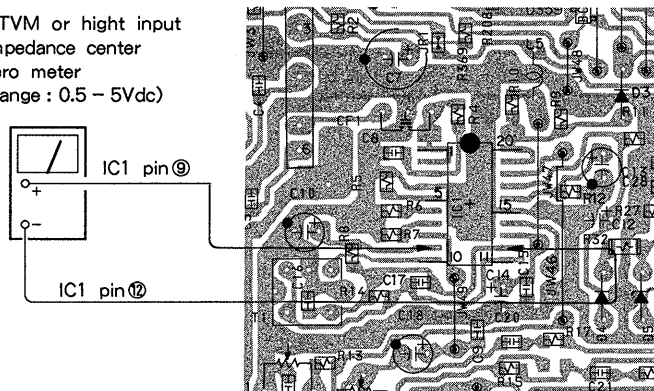
BAND : FM MONO
Frequency : 98MHz



Carrier frequency : 98MHz
Output level : 1mV (60dB)
Modulation : 1kHz, 75kHz deviation (100%)
Mode : monaural

[MAIN BOARD] – Conductor side –

VTVM or high input impedance center zero meter (range : 0.5 – 5Vdc)



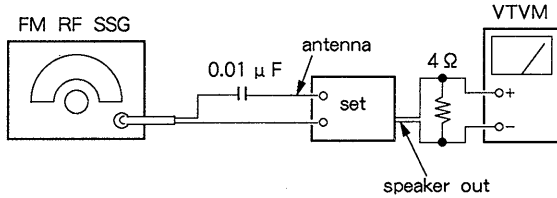
Procedure:

Slowly adjust the core of T1 to obtain a zero (0) V reading on VTVM or zero-center DC voltmeter.

FM Stereo Separation Adjustment

Setup:

BAND : FM Stereo
Frequency : 98MHz



Carrier frequency : 98MHz
Output level : 70dB (3.15mV)
Modulation : 1kHz
main : 33.75kHz dev.
sub : 33.75kHz dev.
19kHz pilot : 7.5kHz dev.

Procedure:

1. Set the output level of a signal generator to 70dB and then adjust the output to 0dB with the volume control.
2. Adjust RV1 for a best stereo separation.

FM stereo signal generator output channel	VTVM connection	VTVM reading (dB)
L-CH	L-CH	Ⓐ
R-CH	L-CH	Ⓑ [ⓑ] Adjust RV1 for minimum reading.
R-CH	R-CH	Ⓒ
L-CH	R-CH	Ⓓ [Ⓒ] Adjust RV1 for minimum reading.

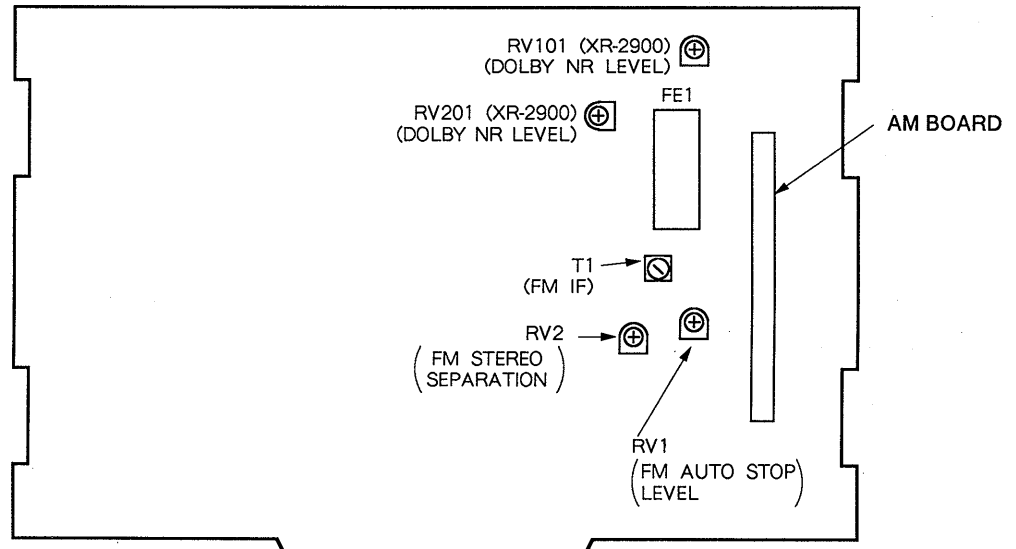
L-CH stereo separation : Ⓐ-Ⓑ

R-CH stereo separation : Ⓒ-Ⓓ

The separations of both channels should be equal.

3. Adjust so that separation is maximized.
(separation > 27dB)

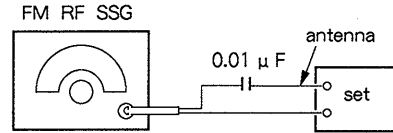
Adjustment Location: [MAIN BOARD] – Component side –



FM Auto-scan Stop Level Adjustment

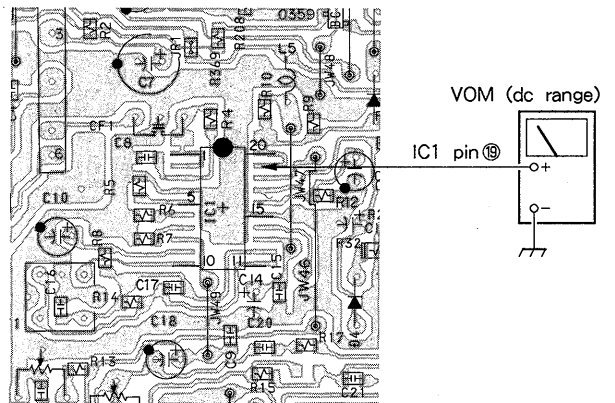
Setup:

BAND : FM MONO
Frequency : 98MHz



Carrier frequency : 98MHz
Output level : 25dB (17.8 μV)
Modulation : no modulation

[MAIN BOARD] – Conductor side –



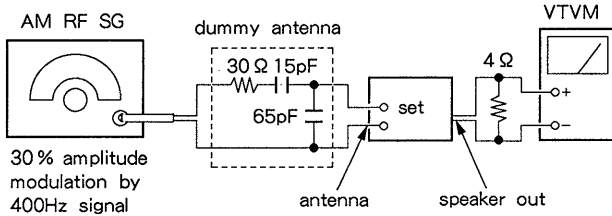
Procedure:

1. Adjust RV1 at the point where the VOM reading changes from low to high.
2. Confirm that the set stops auto-scanning with FM RF SSG output level set at 25 ± 2dB.

AM SECTION

AM IF Tracking Adjustment

Setup:



AM IF ADJUSTMENT	
Adjust for a maximum reading on VTVM.	
T55, 56	

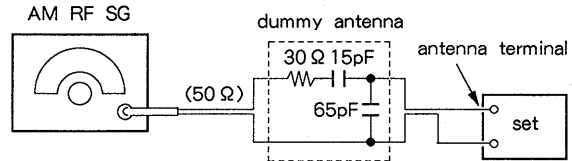
AM TRACKING ADJUSTMENT	
Adjust for a maximum reading on VTVM.	
T52, 53	600kHz

AM Auto-scan Stop Level Adjustment

Note: Be sure to perform this adjustment after "FM Auto-scan Stop Adjustment".

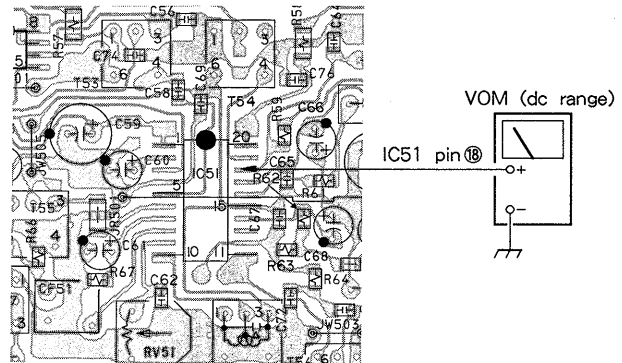
Setup:

Band : AM
Frequency : 600kHz



Carrier frequency : 600kHz
Output level : 30dB
Modulation : no modulation

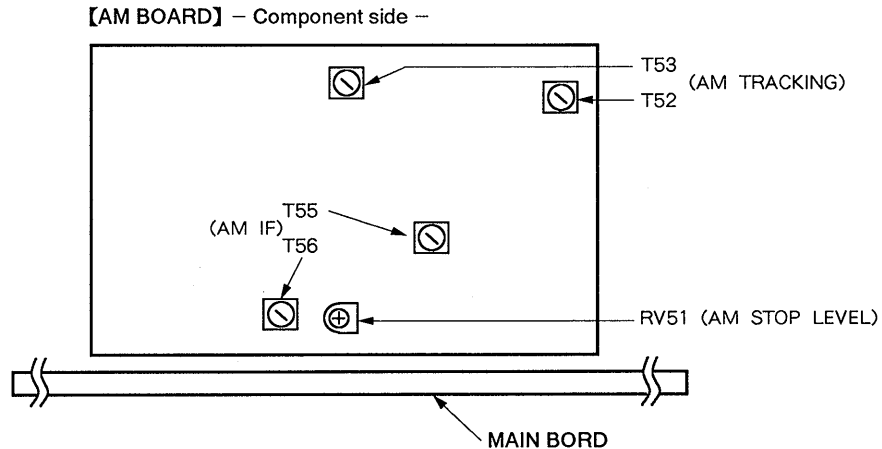
【AM BOARD】 – Conductor side –



Procedure:

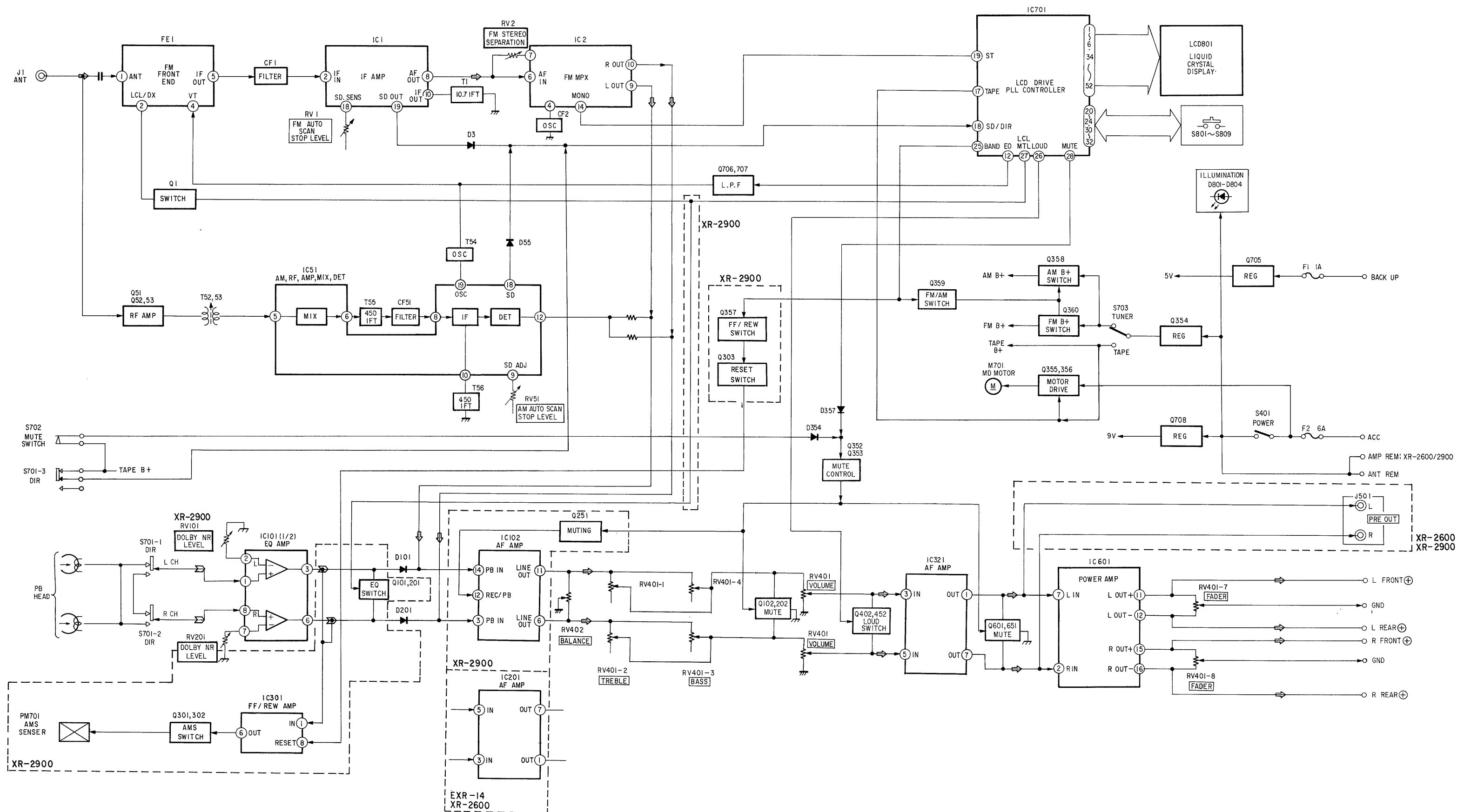
1. Adjust RV51 at the point where the VOM reading changes from low to high.
2. Confirm that the set stops auto-scanning with AM RF SG output level set at 30 ± 2 dB.

Adjustment Location:

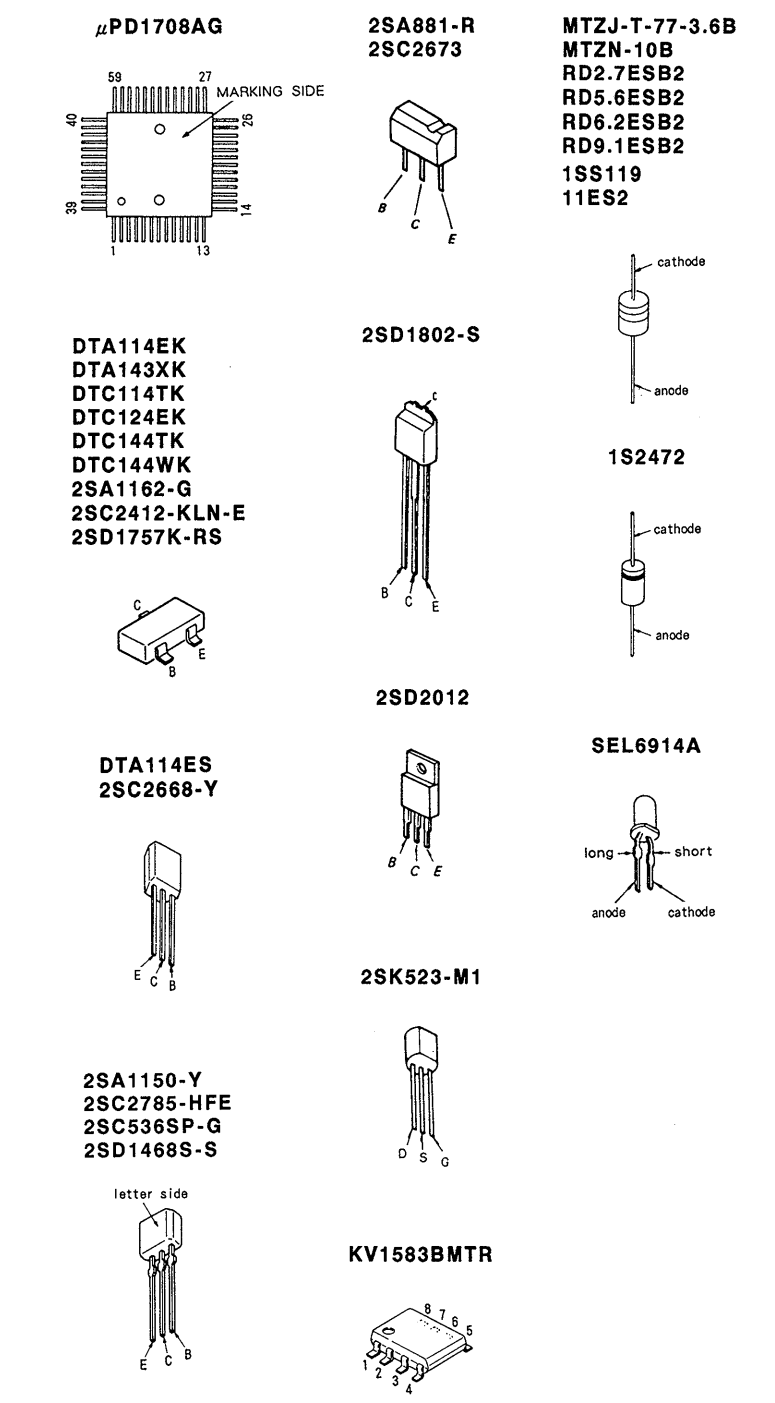


SECTION 4 DIAGRAMS

4-1. BLOCK DIAGRAM



4-2. SEMICONDUCTOR LEAD LAYOUTS

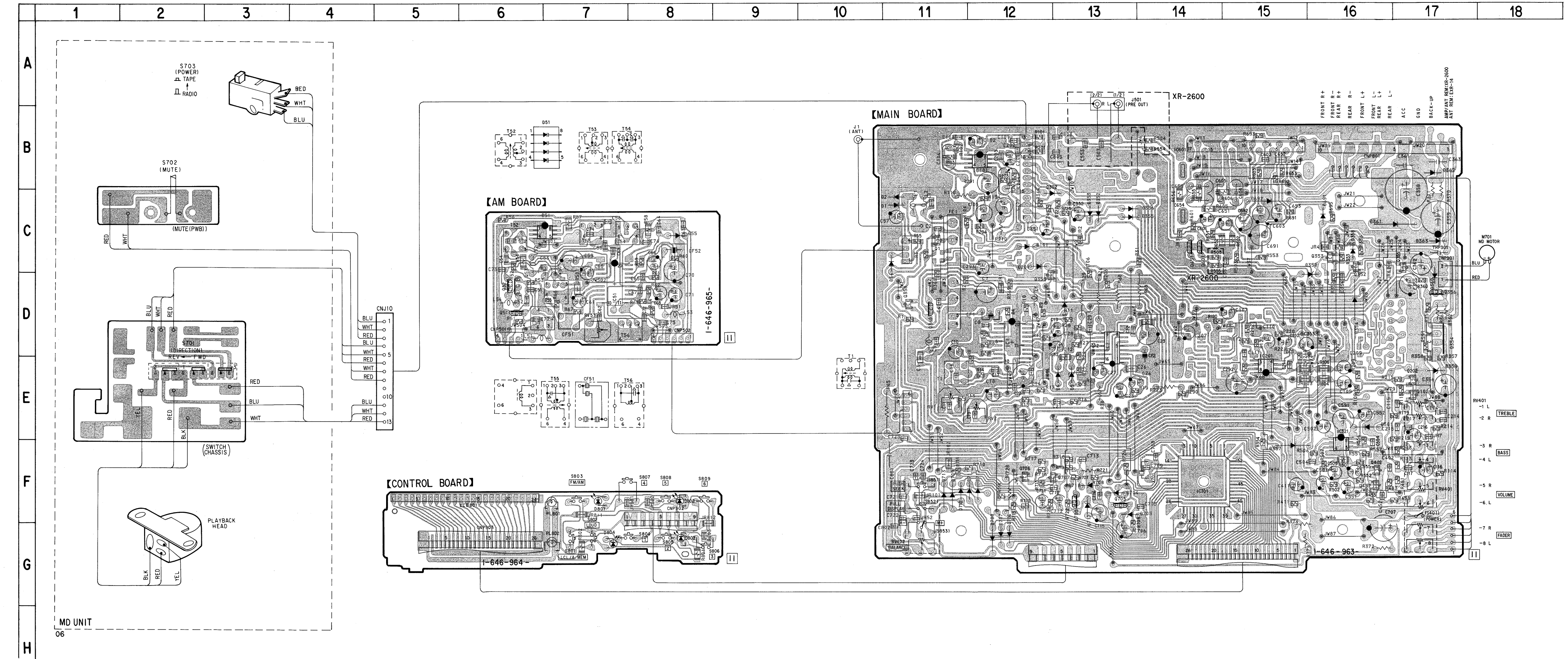


• Semiconductor Location

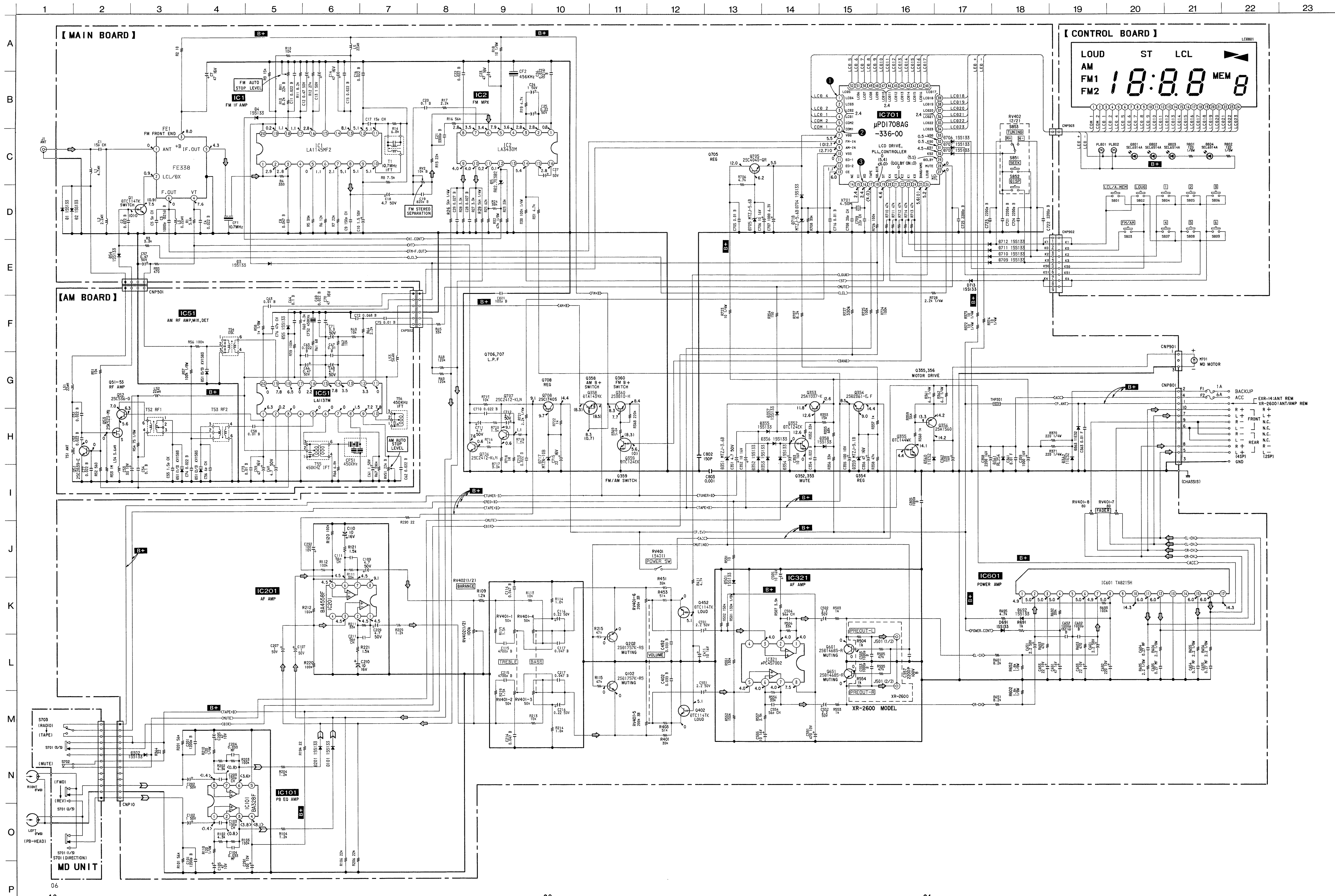
Ref. No.	Location	Ref. No.	Location
D1	C-11	D718	F-13
D2	C-11	D801	F-7
D3	D-13	D802	F-8
D4	E-13	D803	G-8
D5	E-13	D804	G-7
D51	C-6		
D54	C-11	IC1	D-12
D55	C-8	IC2	D-13
D101	C-12	IC51	D-7
D201	C-12	IC101	B-12
D302	C-13	IC201	E-15
D351	D-16	IC321	F-16
D352	C-13	IC601	B-14
D353	C-13	IC701	F-14
D354	D-16		
D355	C-13	Q1	C-11
D356	C-13	Q51	D-6
D357	F-15	Q52	D-6
D358	C-16	Q53	D-6
D359	E-17	Q102	E-17
D360	D-17	Q202	E-17
D361	C-16	Q352	D-16
D362	B-17	Q353	C-16
D363	C-17	Q354	D-17
D501	E-16	Q355	C-17
D691	C-16	Q356	D-17
D692	C-15	Q358	D-11
D704	F-13	Q359	D-12
D705	F-13	Q360	D-11
D706	G-12	Q402	F-16
D707	G-12	Q452	F-16
D708	G-12	Q601	C-14
D709	F-11	Q651	C-14
D710	F-11	Q705	F-13
D711	F-12	Q706	F-12
D712	F-12	Q707	F-12
D713	F-11	Q708	F-13
D717	F-13		

Note:
 • ○ : parts extracted from the component side.

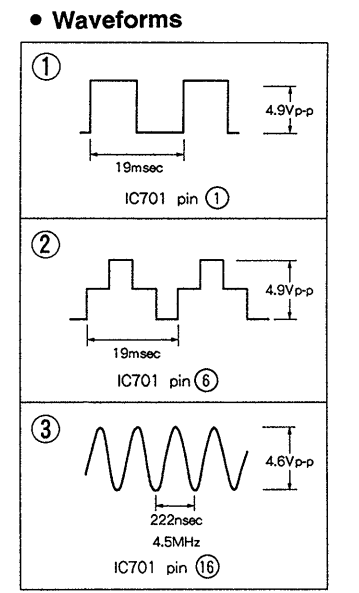
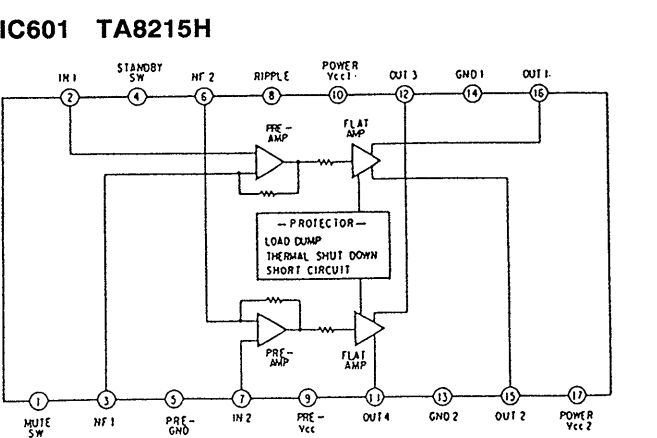
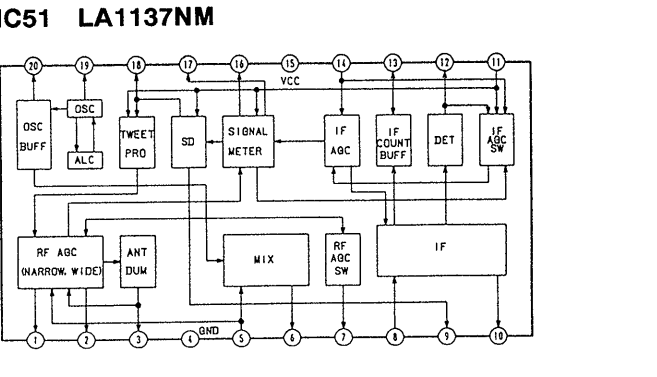
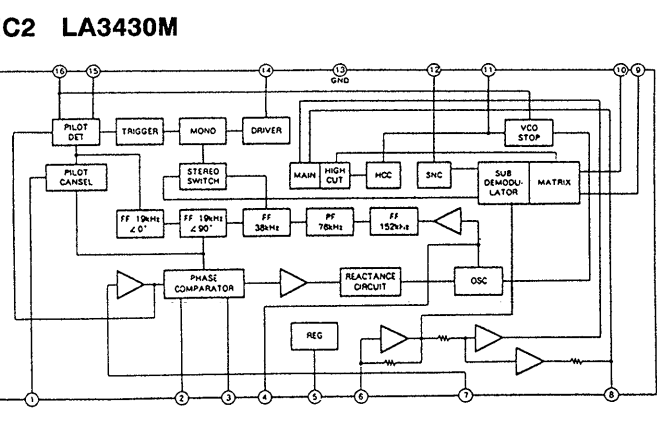
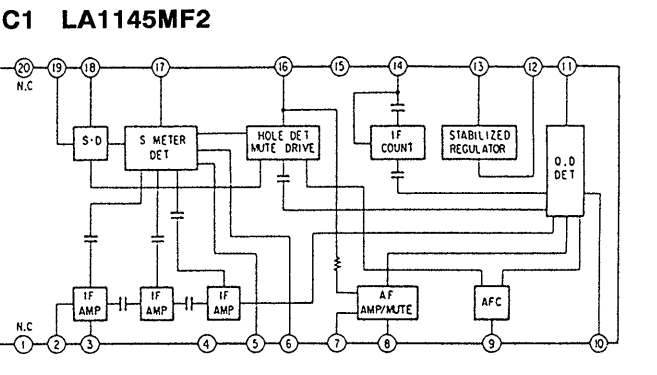
4-3. PRINTED WIRING BOARDS (EXR-14/XR-2600 model)



4-4. SCHEMATIC DIAGRAM (EXR-14/XR-2600 model)

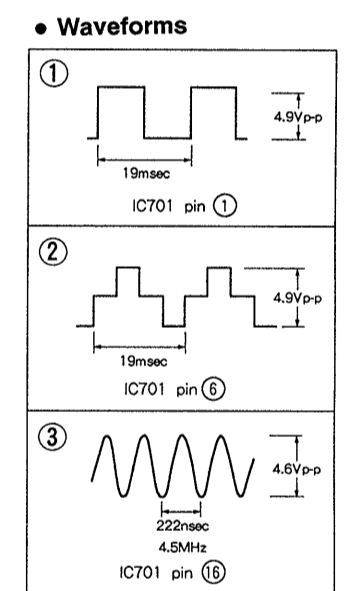
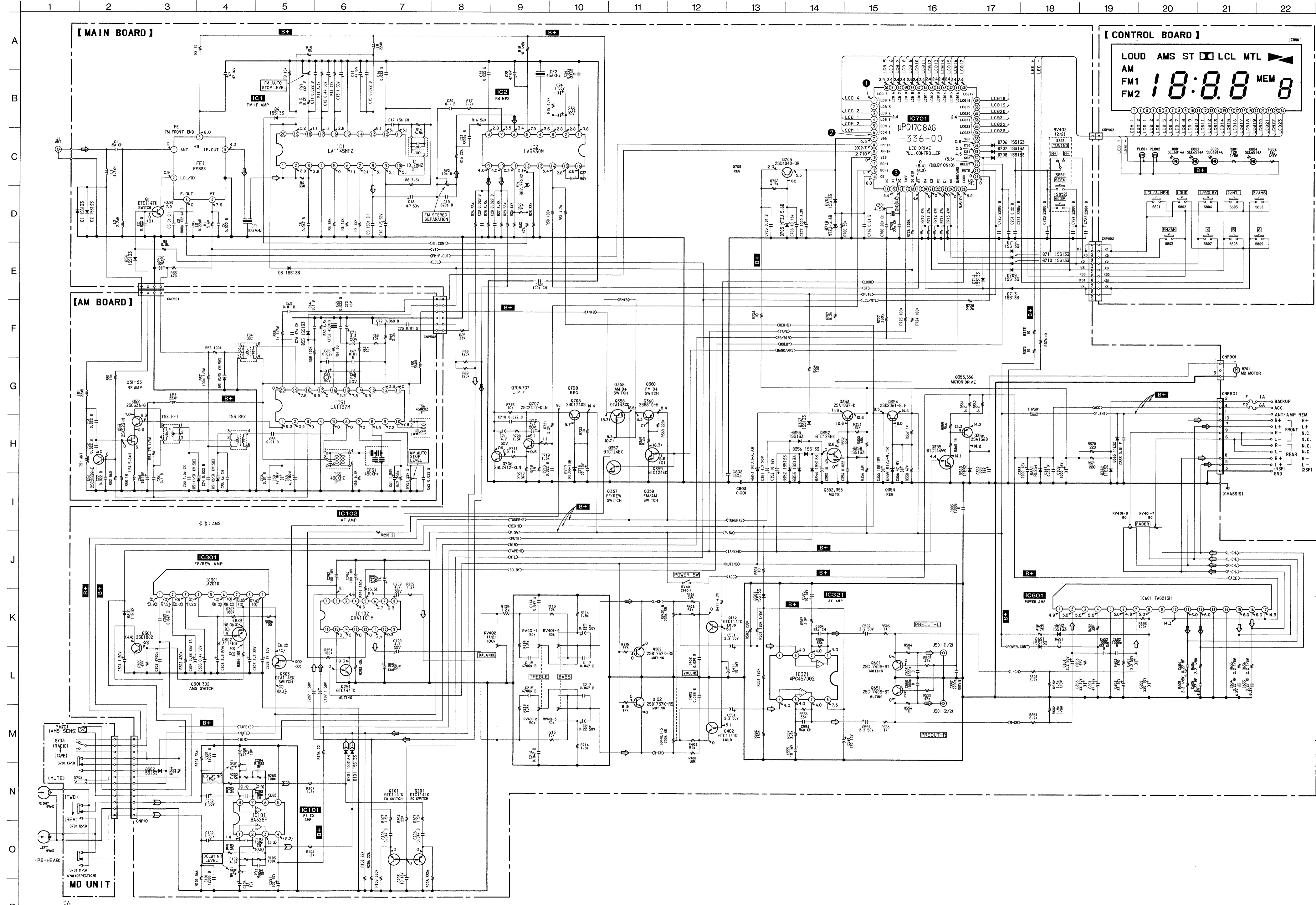
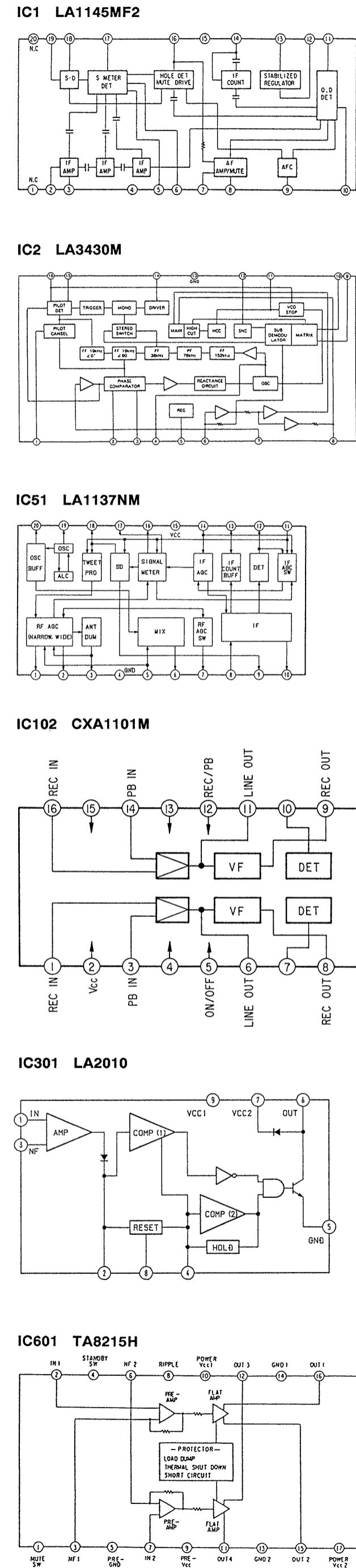


IC BLOCK DIAGRAMS



- Note:**
- All capacitors are in μF unless otherwise noted. pF : $\mu\mu F$ 50WV or less are not indicated except for electrolytics and tantalums.
 - All resistors are in Ω and $\frac{1}{2}W$ or less unless otherwise specified.
 - Δ : internal component.
 - B+**: B+ line.
 - \square : adjustment for repair.
 - Power voltage is dc 14.4V and fed with regulated dc power supply from ACC and BACK-UP cords.
 - Voltage and waveforms are dc with respect to ground under no-signal (detuned) conditions.
 - no mark :FM
 - () :AM
 - < > :TAPE
 - Voltages are taken with a VOM. (Input impedance 10M Ω) Voltage variations may be noted due to normal production tolerances.
 - Waveforms are taken with an oscilloscope. Voltage variations may be noted due to normal production tolerances.
 - Circled numbers refer to waveforms.
 - Signal path.
 - \Rightarrow : FM
 - \Rightarrow : PB

• IC BLOCK DIAGRAMS



Note:

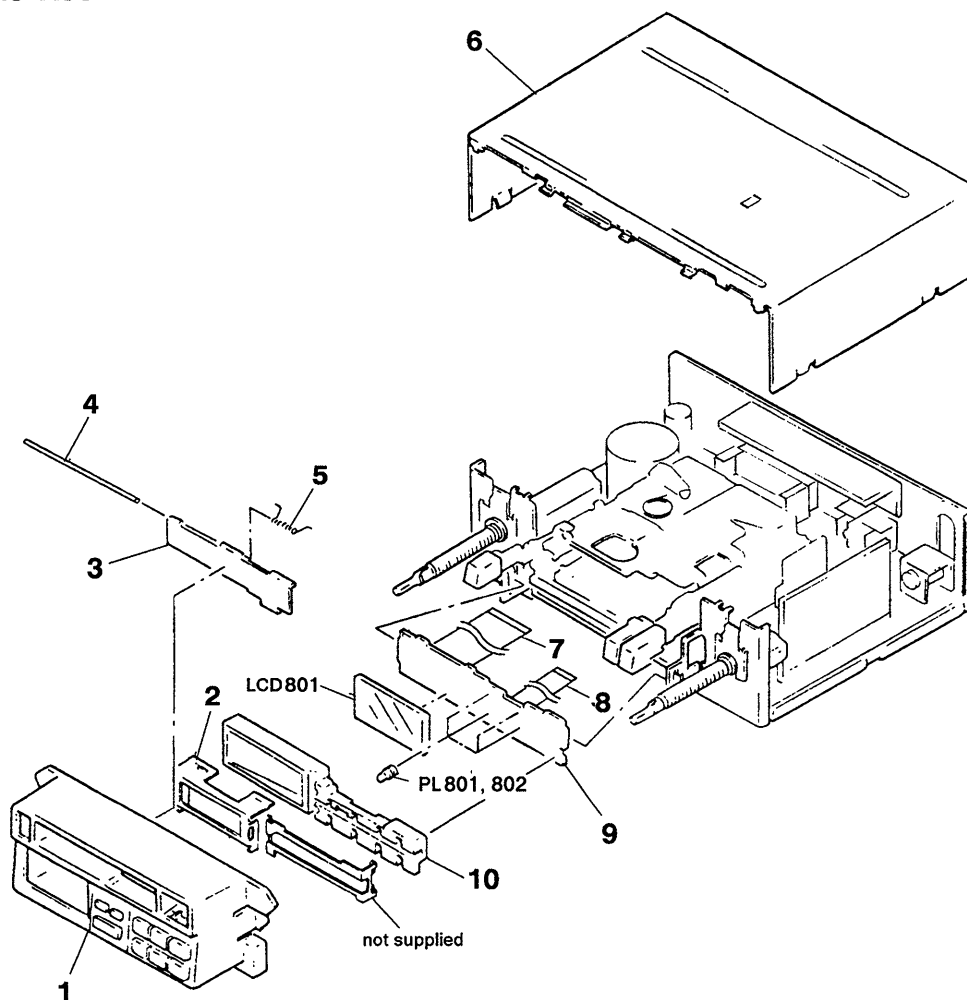
- All capacitors are in μF unless otherwise noted. pF : μpF 50WV or less are not indicated except for electrolytics and tantalums.
- All resistors are in Ω and $\frac{1}{4}\text{W}$ or less unless otherwise specified.
- Δ : internal component.
- B+: B+ line.
- : adjustment for repair.
- Power voltage is dc 14.4V and fed with regulated dc power supply from ACC and BACK-UP cords.
- Voltage and waveforms are dc with respect to ground under no-signal (detuned) conditions.
- no mark: FM
- (): AM
- <): TAPE
- Voltages are taken with a VOM. (Input impedance 10M Ω)
- Voltage variations may be noted due to normal production tolerances.
- Waveforms are taken with an oscilloscope.
- Voltage variations may be noted due to normal production tolerances.
- Circled numbers refer to waveforms.
- Signal path.
- ◁: FM
- ▷: PB

SECTION 5 EXPLODED VIEWS

NOTE:

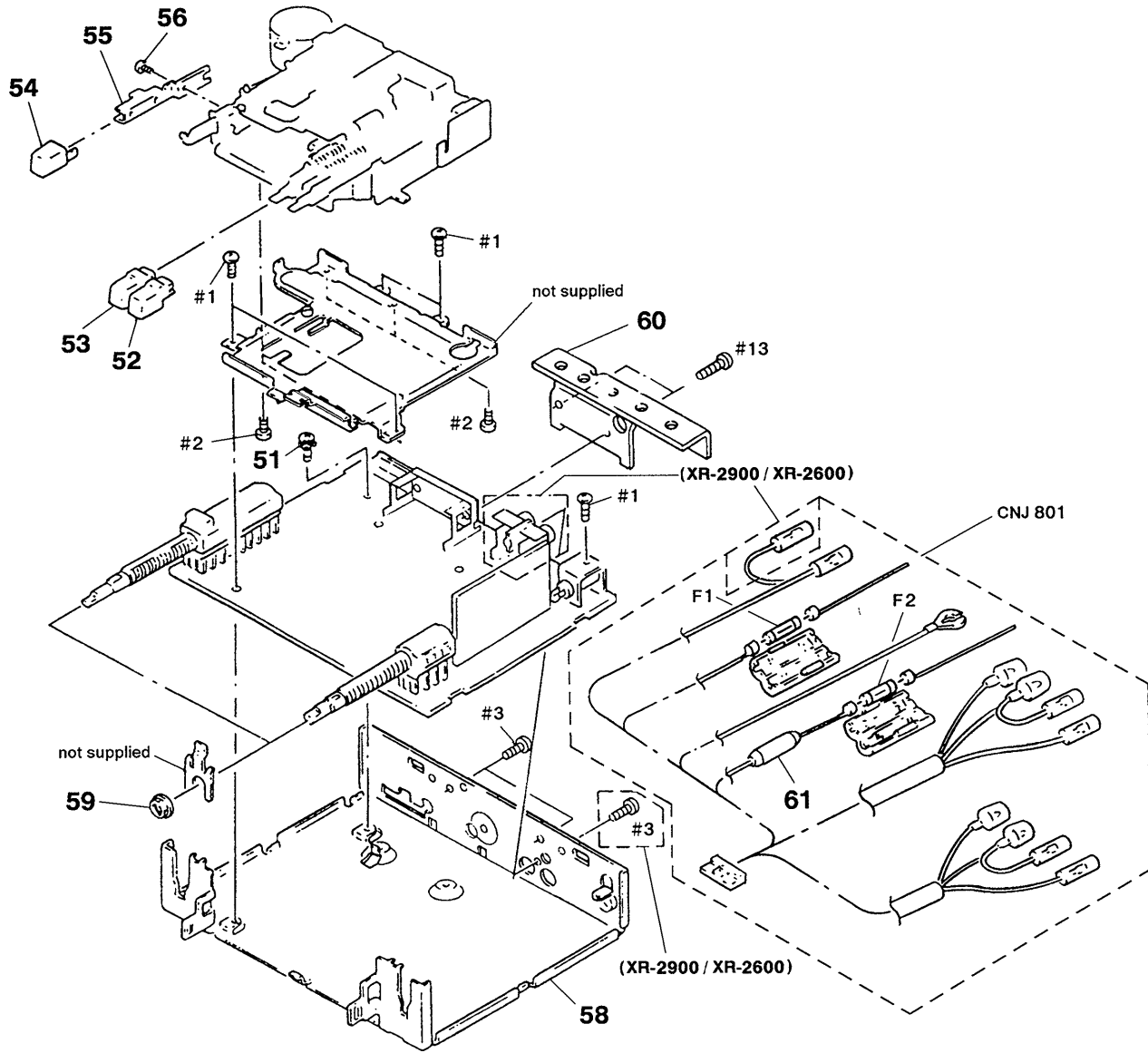
- -XX,-X mean standardized parts, so they may have some difference from the original one.
- Items marked "*" are not stocked since they are seldom required for routine service. Some delay should be anticipated when ordering these items.
- The mechanical parts with no reference number in the exploded views are not supplied.
- Hardware (# mark) list is given in the last of this parts list.

5-1. CHASSIS ASSEMBLY-1



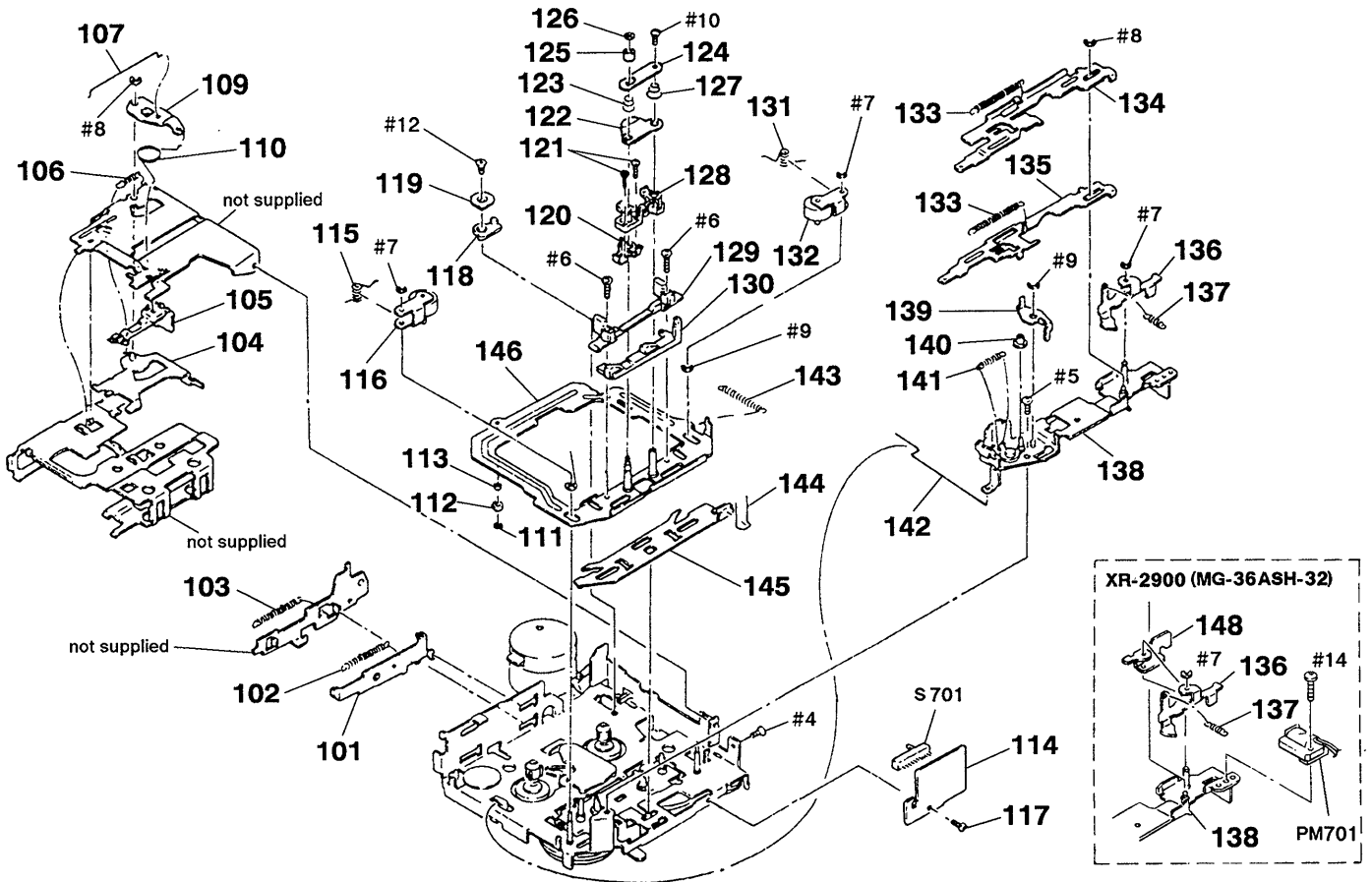
Ref. No.	Part No.	Description	Remark	Ref. No.	Part No.	Description	Remark
1	X-3366-148-1	PANEL SUB ASSY, FRONT	(XR-2900)	6	3-373-620-01	COVER	
1	X-3366-149-1	PANEL SUB ASSY, FRONT	(XR-2600)	7	1-751-021-11	CABLE, FLAT (28 CORE)	
1	X-3366-231-1	PANEL SUB ASSY, FRONT	(EXR-14)	8	1-535-667-81	WIRE (FLAT TYPE) (9 CORE)	
2	3-373-623-01	BRACKET (LCD)		* 9	1-646-964-11	CONTROL BOARD	
3	3-387-119-11	LID, CASSETTE	(EXR-14)	10	3-373-630-01	PLATE, LIGHT GUIDE	
3	3-387-119-31	LID, CASSETTE	(XR-2600)		LCD801	1-810-023-11	DISPLAY PANEL, LIQUID CRYSTAL
3	3-387-119-41	LID, CASSETTE	(XR-2900)		PL801	1-518-615-21	LAMP, PILOT
4	3-332-130-01	SHAFT, C DOOR			PL802	1-518-615-21	LAMP, PILOT
5	3-559-944-00	SPRING					

5-2. CHASSIS ASSEMBLY-2



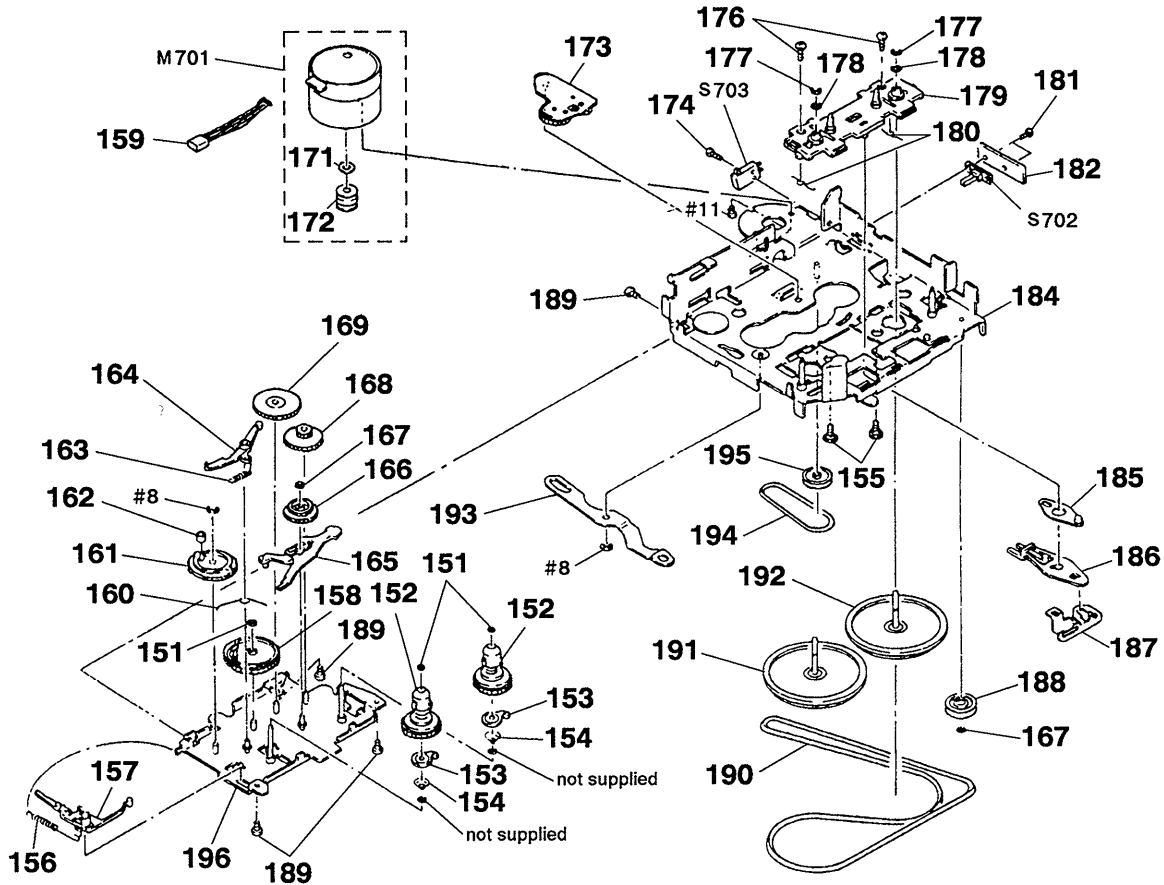
Ref. No.	Part No.	Description	Remark	Ref. No.	Part No.	Description	Remark
51	3-344-501-01	SCREW (+PTT 3X6), GROUND POINT		59	3-575-039-00	NUT, CONTROL	
52	3-373-633-01	BUTTON (FF)		* 60	3-386-157-01	HEAT SINK	
53	3-373-632-01	BUTTON (REW)		61	1-424-629-21	COIL, CHOKE 500uH	
54	3-373-631-01	BUTTON (EJECT)		CNJ801	1-751-069-11	CORD (WITH CONNECTOR AND FUSE)	(XR-2600/2900)
55	3-392-429-01	LEVER (EJECT)		CNJ801	1-751-069-21	CORD (WITH CONNECTOR AND FUSE) (EXR-14)	
56	3-372-033-11	SCREW (2. 6X3), +P		F1	1-533-287-11	FUSE (1A)	
* 57	A-3222-535-A	MAIN BOARD, COMPLETE	(XR-2900)	F2	1-533-301-11	FUSE (6A)	
* 57	A-3222-537-A	MAIN BOARD, COMPLETE	(XR-2600)				
* 57	A-3222-554-A	MAIN BOARD, COMPLETE	(EXR-14)				
58	X-3366-790-1	CHASSIS ASSY	(XR-2600/2900)				
58	X-3366-791-1	CHASSIS ASSY	(EXR-14)				

5-3. MD ASSEMBLY-1 (MG-36SHJ-32) (EXR-14/XR-2600)
(MG-36ASH-32) (XR-2900)



Ref.No.	Part No.	Description	Remark	Ref.No.	Part No.	Description	Remark
* 101	3-392-978-01	LEVER, EJECT		* 128	3-379-142-01	ARM (B), ADJUSTOR	
102	3-392-950-01	SPRING		129	3-392-984-02	GUIDE, TAPE	
103	3-392-951-01	SPRING		130	3-377-909-02	LINK (X), ADJUSTOR	
* 104	3-392-921-01	LOCK ASSY, EJECT CAM		131	3-392-957-01	SPRING (F)	
105	3-392-972-01	HOOKER, TAPE		132	3-375-377-01	ARM (F) ASSY, PINCH	
106	3-392-953-01	SPRING		133	3-392-948-01	SPRING	
107	3-392-969-01	LINK, RETURN		* 134	3-392-906-01	LEVER (A), FF	(XR-2900)
* 109	3-392-932-01	PLATE, CENTER		* 134	3-392-980-01	LEVER, FF	(XR-2600/EXR-14)
110	3-392-961-01	SPRING (B)		* 135	3-392-907-01	LEVER (A), REW	(XR-2900)
111	3-570-615-00	POLY-WASHER (DIA. 1. 2)		* 135	3-392-981-01	LEVER, REW	(XR-2600/EXR-14)
112	3-392-945-01	ROLLER (A), H. P		* 136	3-392-904-01	ARM (A), LOCK	(XR-2900)
113	3-392-942-01	ROLLER (B), H. P		* 136	3-392-935-01	ARM, LOCK	(XR-2600/EXR-14)
114	3-392-970-01	CHASSIS, SWITCH		137	3-392-902-01	SPRING (A)	(XR-2900)
115	3-392-958-01	SPRING (R)		137	3-392-917-01	SPRING	(XR-2600/EXR-14)
116	3-375-378-01	ARM (R) ASSY, PINCH		* 138	3-372-242-01	BRACKET ASSY (D), LEVER	
* 117	4-908-792-11	SCREW (B2X3), TAPPING, P1		* 139	3-392-933-01	LEVER (B), CHANGE	
118	3-372-244-01	ARM (N), MUTE		140	3-392-994-01	ROLLER, PROGRAM	
* 119	3-397-427-01	COLLAR, MUTE ARM		141	3-392-954-01	SPRING	
120	3-377-908-01	SHIM (X), ADJUSTOR		142	3-372-243-01	LINK (B), SELECTOR	
121	3-375-379-01	SCREW, AZIMUTH		143	3-392-952-01	SPRING	
122	1-543-717-11	HEAD, MAGNETIC (PLAYBACK)		144	3-392-962-01	SPRING	
123	3-392-956-01	SPRING (A)		* 145	3-392-919-01	ARM ASSY, F, R SELECTION	
* 124	3-392-930-01	RETAINER, SPRING		* 146	3-392-975-05	PLATE ASSY (S), HEAD	
125	3-392-943-01	ROLLER, FF		148	3-392-903-01	ARM, RELEASE	(XR-2900)
126	3-676-387-00	POLY-SLIDER (DIA. 1. 6)		PM701	1-454-464-12	SOLENOID, PLUNGER (AMS SENSOR)	(XR-2900)
127	3-392-955-01	SPRING (A)		S701	1-692-036-11	SWITCH, SLIDE (FWD→REV)	

5-4. MD ASSEMBLY-2 (MG-36SHJ-32) (EXR-14/XR-2600)
(MG-36ASH-32) (XR-2900)



Ref. No.	Part No.	Description	Remark	Ref. No.	Part No.	Description	Remark
151	3-676-387-00	POLY-SLIDER (DIA. 1.6)		177	3-590-768-00	RING (A), E	
152	3-376-196-01	SPINDLE ASSY (S), REEL (XR-2600/EXR-14)		178	3-701-437-11	POLY-SLIDER (A)	
152	3-385-263-01	SPINDLE ASSY (D), REEL (XR-2900)		* 179	3-375-381-01	BRACKET ASSY (X), CM	
153	3-375-380-01	CAM ASSY, DETECTION		180	3-392-963-01	SPRING (R)	
154	3-370-619-01	SPRING, BACK TENSION		181	3-318-204-91	SCREW (M1.7X4), TAPPING	
155	3-392-918-01	SCREW, EJECT HOOK		182	3-375-376-01	MUTE (PWB)	
156	3-392-959-01	SPRING		* 184	3-392-974-01	CHASSIS ASSY, MAIN	
157	3-392-985-02	RATCHET		* 185	3-392-925-01	ARM (A) ASSY, F. R	
158	3-392-990-01	GEAR, DETECTION		* 186	3-392-939-01	ARM, FF	
* 159	3-376-195-01	CONNECTOR ASSY (3P)		* 187	3-392-934-01	ARM (B), F. R	
160	3-392-960-01	SPRING		188	3-392-941-01	PULLEY (A), IDLE	
161	3-392-987-01	GEAR, SELECTOR		* 189	4-908-792-11	SCREW (B2X3), TAPPING, P1	
162	3-392-944-01	COLLAR (CELECTER GEAR)		190	3-392-967-01	BELT, MAIN	
163	3-375-131-01	SPRING, GEAR LOCK ARM		191	3-392-995-02	FLYWHEEL ASSY (BR)	
164	3-392-989-02	ARM, GEAR LOCK		192	3-392-926-02	FLYWHEEL ASSY (BF)	
165	3-392-986-01	ARM, SENSOR		* 193	3-392-979-01	LEVER, REVERSE	
166	3-392-915-01	GEAR, IDLE		194	3-375-375-02	BELT (C), SUB	
167	3-570-615-00	POLY-WASHER (DIA. 1.2)		195	3-392-938-01	GEAR, PULLY	
168	3-392-936-01	GEAR (A)		* 196	3-392-976-01	BASE ASSY, REEL	
169	3-392-937-01	GEAR (B)		M701	X-3364-496-1	MOTOR ASSY	
* 171	3-392-912-01	WASHER, MYLAR		S702	1-692-065-11	SWITCH, LEAF (MUTE)	
* 172	3-392-913-01	PULLEY, MOTOR		S703	1-554-790-21	SWITCH, POWER (RADIO→TAPE)	
173	3-392-916-01	ARM ASSY, TU GEAR					
174	3-318-203-11	SCREW (B1.7X6), TAPPING					
176	3-318-204-81	SCREW (M1.7X3), TAPPING					

**SECTION 6
ELECTRICAL PARTS LIST**

NOTE:

- Due to standardization, replacements in the parts list may be different from the part specified in the diagrams or the components used on the set.
- -XX,-X mean standardized parts, so they may have some difference from the original one.
- RESISTORS
All resistors are in ohms
METAL : Metal-film resistor
METAL OXIDE : Metal Oxide-film resistor
F : nonflammable

- Items marked “* ” are not stocked since they are seldom required for routine service. Some delay should be anticipated when ordering these items.
- SEMICONDUCTORS
In each case,u : μ ,for example :
uA... : μ A..., uPA... : μ PA...,
uPB... : μ PB..., uPC... : μ PC...,
uPD... : μ PD...
- CAPACITORS
uF : μ F
- COILS
uH : μ H

When indicating parts by reference number, please include the board name.

Ref. No.	Part No.	Description	Remark
*	1-646-964-11	CONTROL BOARD *****	
	3-373-630-01	PLATE, LIGHT GUIDE	
		< DIODE >	
D801	8-719-025-98	DIODE SEL6914A	
D802	8-719-025-98	DIODE SEL6914A	
D803	8-719-025-98	DIODE SEL6914A	
D804	8-719-025-98	DIODE SEL6914A	
		< JUMPER RESISTOR >	
JR801	1-216-295-00	METAL CHIP 0 5% 1/10W	
JR802	1-216-295-00	METAL CHIP 0 5% 1/10W	
JR803	1-216-295-00	METAL CHIP 0 5% 1/10W	
JR811	1-216-296-00	METAL CHIP 0 5% 1/8W	
JR812	1-216-296-00	METAL CHIP 0 5% 1/8W	
		< LIQUID CRYSTAL DISPLAY >	
LCD801	1-810-023-11	DISPLAY PANEL, LIQUID CRYSTAL	
		< PILOT LAMP >	
PL801	1-518-615-21	LAMP, PILOT	
PL802	1-518-615-21	LAMP, PILOT	
		< RESISTOR >	
R801	1-216-176-00	METAL GLAZE 120 5% 1/8W	
R802	1-216-176-00	METAL GLAZE 120 5% 1/8W	
		< SWITCH >	
S801	1-572-704-21	SWITCH, KEY BOARD (LCL/A. MEM)	
S802	1-572-704-21	SWITCH, KEY BOARD (LOUD)	
S803	1-572-704-21	SWITCH, KEY BOARD (FM/AM)	
S804	1-572-704-21	SWITCH, KEY BOARD (1/DOLBY)	

Ref. No.	Part No.	Description	Remark
S805	1-572-704-21	SWITCH, KEY BOARD (2/MTL)	
S806	1-572-704-21	SWITCH, KEY BOARD (3/AMS)	
S807	1-572-704-21	SWITCH, KEY BOARD (4)	
S808	1-572-704-21	SWITCH, KEY BOARD (5)	
S809	1-572-704-21	SWITCH, KEY BOARD (6)	

*	A-3222-535-A	MAIN BOARD, COMPLETE (XR-2900) (Including AM BOARD, COMPLETE)	

*	A-3222-537-A	MAIN BOARD, COMPLETE (XR-2600) (Including AM BOARD, COMPLETE)	

*	A-3222-554-A	MAIN BOARD, COMPLETE (EXR-14) (Including AM BOARD, COMPLETE)	

		< CAPACITOR >	
C1	1-163-097-00	CERAMIC CHIP 15PF 5% 50V	
C2	1-163-037-11	CERAMIC CHIP 0.022uF 10% 25V	
C3	1-163-205-00	CERAMIC CHIP 0.001uF 5% 50V	
C4	1-163-037-11	CERAMIC CHIP 0.022uF 10% 25V	
C5	1-163-222-11	CERAMIC CHIP 5PF 0.25PF 50V	
C7	1-124-589-11	ELECT 47uF 20% 16V	
C8	1-163-809-11	CERAMIC CHIP 0.047uF 10% 25V	
C9	1-163-121-00	CERAMIC CHIP 150PF 5% 50V	
C10	1-124-256-00	ELECT 1.5uF 20% 50V	
C11	1-163-037-11	CERAMIC CHIP 0.022uF 10% 25V	
C12	1-124-465-00	ELECT 0.47uF 20% 50V	
C13	1-126-160-11	ELECT 1uF 20% 50V	
C14	1-124-589-11	ELECT 47uF 20% 16V	
C15	1-163-037-11	CERAMIC CHIP 0.022uF 10% 25V	
C16	1-163-037-11	CERAMIC CHIP 0.022uF 10% 25V	
C17	1-163-097-00	CERAMIC CHIP 15PF 5% 50V	
C18	1-126-163-11	ELECT 4.7uF 20% 50V	
C19	1-163-139-00	CERAMIC CHIP 820PF 5% 50V	

MAIN Including AM

Ref.No.	Part No.	Description	Remark
C20	1-164-004-11	CERAMIC CHIP	0. 1uF 10% 25V
C21	1-164-182-11	CERAMIC CHIP	0. 0033uF 10% 50V
C22	1-163-037-11	CERAMIC CHIP	0. 022uF 10% 25V
C23	1-124-589-11	ELECT	47uF 20% 16V
C24	1-126-160-11	ELECT	1uF 20% 50V
C25	1-124-464-11	ELECT	0. 22uF 20% 50V
C26	1-163-063-00	CERAMIC CHIP	0. 022uF 10% 50V
C27	1-126-160-11	ELECT	1uF 20% 50V
C28	1-163-986-00	CERAMIC CHIP	0. 027uF 10% 25V
C29	1-163-986-00	CERAMIC CHIP	0. 027uF 10% 25V
C51	1-163-037-11	CERAMIC CHIP	0. 022uF 10% 25V
C52	1-163-037-11	CERAMIC CHIP	0. 022uF 10% 25V
C53	1-126-784-11	ELECT	33uF 20% 10V
C54	1-164-004-11	CERAMIC CHIP	0. 1uF 10% 25V
C55	1-163-084-00	CERAMIC CHIP	1. 5PF 50V
C56	1-163-089-00	CERAMIC CHIP	6PF 50V
C57	1-124-465-00	ELECT	0. 47uF 20% 50V
C58	1-164-232-11	CERAMIC CHIP	0. 01uF 50V
C59	1-124-589-11	ELECT	47uF 20% 16V
C60	1-126-163-11	ELECT	4. 7uF 20% 50V
C61	1-126-301-11	ELECT	1uF 20% 50V
C62	1-163-037-11	CERAMIC CHIP	0. 022uF 10% 25V
C63	1-164-232-11	CERAMIC CHIP	0. 01uF 50V
C64	1-164-004-11	CERAMIC CHIP	0. 1uF 10% 25V
C65	1-163-037-11	CERAMIC CHIP	0. 022uF 10% 25V
C66	1-124-465-00	ELECT	0. 47uF 20% 50V
C67	1-164-232-11	CERAMIC CHIP	0. 01uF 50V
C68	1-126-163-11	ELECT	4. 7uF 20% 50V
C69	1-163-037-11	CERAMIC CHIP	0. 022uF 10% 25V
C70	1-124-589-11	ELECT	47uF 20% 16V
C71	1-126-162-11	ELECT	3. 3uF 20% 50V
C72	1-164-344-11	CERAMIC CHIP	0. 068uF 10% 25V
C73	1-164-232-11	CERAMIC CHIP	0. 01uF 50V
C74	1-163-037-11	CERAMIC CHIP	0. 022uF 10% 25V
C75	1-164-232-11	CERAMIC CHIP	0. 01uF 50V
C76	1-163-243-11	CERAMIC CHIP	47PF 5% 50V
C77	1-163-037-11	CERAMIC CHIP	0. 022uF 10% 25V
C101	1-163-010-11	CERAMIC CHIP	0. 0012uF 10% 50V
C102	1-126-301-11	ELECT	1uF 20% 50V
C103	1-163-121-00	CERAMIC CHIP	150PF 5% 50V
C104	1-136-171-00	FILM	0. 033uF 5% 50V
C105	1-126-785-11	ELECT	47uF 20% 10V
C106	1-163-809-11	CERAMIC CHIP	0. 047uF 10% 25V (XR-2900)
C107	1-126-160-11	ELECT	1uF 20% 50V
C108	1-131-587-11	TANTALUM	0. 68uF 5% 35V (XR-2900)
C109	1-126-163-11	ELECT	4. 7uF 20% 50V
C110	1-126-157-11	ELECT	10uF 20% 16V (EXR-14/XR-2600)
C111	1-163-245-11	CERAMIC CHIP	56PF 5% 50V (EXR-14/XR-2600)

Ref.No.	Part No.	Description	Remark
C114	1-163-809-11	CERAMIC CHIP	0. 047uF 10% 25V
C115	1-163-017-00	CERAMIC CHIP	0. 0047uF 5% 50V
C116	1-124-464-11	ELECT	0. 22uF 20% 50V
C117	1-163-809-11	CERAMIC CHIP	0. 047uF 10% 25V
C201	1-163-010-11	CERAMIC CHIP	0. 0012uF 10% 50V
C202	1-126-301-11	ELECT	1uF 20% 50V
C203	1-163-121-00	CERAMIC CHIP	150PF 5% 50V
C204	1-136-171-00	FILM	0. 033uF 5% 50V
C205	1-126-785-11	ELECT	47uF 20% 10V
C206	1-163-809-11	CERAMIC CHIP	0. 047uF 10% 25V (XR-2900)
C207	1-126-160-11	ELECT	1uF 20% 50V
C208	1-131-587-11	TANTALUM	0. 68uF 5% 35V (XR-2900)
C209	1-126-163-11	ELECT	4. 7uF 20% 50V
C210	1-126-157-11	ELECT	10uF 20% 16V (EXR-14/XR-2600)
C211	1-163-245-11	CERAMIC CHIP	56PF 5% 50V (EXR-14/XR-2600)
C214	1-163-809-11	CERAMIC CHIP	0. 047uF 10% 25V
C215	1-163-017-00	CERAMIC CHIP	0. 0047uF 5% 50V
C216	1-124-464-11	ELECT	0. 22uF 20% 50V
C217	1-163-809-11	CERAMIC CHIP	0. 047uF 10% 25V
C251	1-164-489-11	CERAMIC CHIP	0. 22uF 10% 16V (XR-2900)
C291	1-124-584-00	ELECT	100uF 20% 10V
C292	1-124-584-00	ELECT	100uF 20% 10V
C293	1-126-157-11	ELECT	10uF 20% 16V (XR-2900)
C294	1-124-584-00	ELECT	100uF 20% 10V (XR-2900)
C301	1-126-301-11	ELECT	1uF 20% 50V (XR-2900)
C302	1-163-017-00	CERAMIC CHIP	0. 0047uF 5% 50V (XR-2900)
C303	1-163-809-11	CERAMIC CHIP	0. 047uF 10% 25V (XR-2900)
C304	1-131-344-00	TANTALUM	0. 33uF 10% 35V (XR-2900)
C305	1-124-465-00	ELECT	0. 47uF 20% 50V (XR-2900)
C306	1-126-162-11	ELECT	3. 3uF 20% 50V (XR-2900)
C307	1-124-257-00	ELECT	2. 2uF 20% 50V (XR-2900)
C308	1-124-589-11	ELECT	47uF 20% 16V (XR-2900)
C351	1-126-163-11	ELECT	4. 7uF 20% 50V
C352	1-126-157-11	ELECT	10uF 20% 16V
C353	1-126-157-11	ELECT	10uF 20% 16V
C354	1-163-037-11	CERAMIC CHIP	0. 022uF 10% 25V
C355	1-124-584-00	ELECT	100uF 20% 10V
C356	1-124-589-11	ELECT	47uF 20% 16V
C357	1-164-161-11	CERAMIC CHIP	0. 0022uF 10% 100V
C358	1-124-556-11	ELECT	2200uF 20% 16V
C359	1-124-360-00	ELECT	1000uF 20% 16V
C361	1-101-004-00	CERAMIC	0. 01uF 50V
C362	1-126-934-71	ELECT	220uF 20% 16V
C363	1-101-004-00	CERAMIC	0. 01uF 50V
C402	1-162-587-11	CERAMIC CHIP	0. 039uF 10% 25V
C411	1-126-157-11	ELECT	10uF 20% 16V
C452	1-162-587-11	CERAMIC CHIP	0. 039uF 10% 25V
C501	1-124-257-00	ELECT	2. 2uF 20% 50V

Ref. No.	Part No.	Description	Remark
C502	1-124-257-00	ELECT	2. 2uF 20% 50V
C503	1-163-009-11	CERAMIC CHIP	0. 001uF 10% 50V (XR-2600/2900)
C504	1-163-245-11	CERAMIC CHIP	56PF 5% 50V
C505	1-126-157-11	ELECT	10uF 20% 16V
C551	1-124-257-00	ELECT	2. 2uF 20% 50V
C552	1-124-257-00	ELECT	2. 2uF 20% 50V
C553	1-163-009-11	CERAMIC CHIP	0. 001uF 10% 50V (XR-2600/2900)
C554	1-163-245-11	CERAMIC CHIP	56PF 5% 50V
C555	1-126-157-11	ELECT	10uF 20% 16V
C591	1-126-925-11	ELECT	470uF 20% 10V
C601	1-124-257-00	ELECT	2. 2uF 20% 50V
C602	1-163-009-11	CERAMIC CHIP	0. 001uF 10% 50V
C603	1-124-638-11	ELECT	22uF 20% 10V
C604	1-130-773-11	FILM	0. 27uF 10% 63V
C605	1-130-773-11	FILM	0. 27uF 10% 63V
C651	1-124-257-00	ELECT	2. 2uF 20% 50V
C652	1-163-205-00	CERAMIC CHIP	0. 001uF 5% 50V
C653	1-124-638-11	ELECT	22uF 20% 10V
C654	1-130-773-11	FILM	0. 27uF 10% 63V
C655	1-130-773-11	FILM	0. 27uF 10% 63V
C691	1-124-589-11	ELECT	47uF 20% 16V
C692	1-126-923-11	ELECT	220uF 20% 10V
C705	1-164-232-11	CERAMIC CHIP	0. 01uF 50V
C706	1-126-157-11	ELECT	10uF 20% 16V
C707	1-126-916-11	ELECT	1000uF 20% 6. 3V
C708	1-163-234-11	CERAMIC CHIP	20PF 5% 50V
C709	1-163-235-11	CERAMIC CHIP	22PF 5% 50V
C710	1-163-037-11	CERAMIC CHIP	0. 022uF 10% 25V
C711	1-126-163-11	ELECT	4. 7uF 20% 50V
C712	1-126-163-11	ELECT	4. 7uF 20% 50V
C713	1-163-037-11	CERAMIC CHIP	0. 022uF 10% 25V
C715	1-124-234-00	ELECT	22uF 20% 16V
C716	1-164-232-11	CERAMIC CHIP	0. 01uF 50V
C721	1-163-013-00	CERAMIC CHIP	0. 0022uF 5% 50V
C722	1-163-013-00	CERAMIC CHIP	0. 0022uF 5% 50V
C723	1-163-013-00	CERAMIC CHIP	0. 0022uF 5% 50V
C724	1-163-013-00	CERAMIC CHIP	0. 0022uF 5% 50V
C725	1-163-013-00	CERAMIC CHIP	0. 0022uF 5% 50V
C801	1-162-282-31	CERAMIC	100PF 10% 50V
C802	1-163-255-00	CERAMIC CHIP	150PF 5% 50V
C803	1-163-009-11	CERAMIC CHIP	0. 001uF 10% 50V
C805	1-163-009-11	CERAMIC CHIP	0. 001uF 10% 50V
< FILTER >			
CF1	1-567-107-00	FILTER, CERAMIC	10. 7MHz
CF2	1-567-250-11	OSCILLATOR, CERAMIC	456kHz
CF51	1-577-644-11	FILTER, CERAMIC	450kHz
CF52	1-527-981-00	FILTER, CERAMIC	450kHz

Ref. No.	Part No.	Description	Remark
< CONNECTOR >			
* CNP10	1-506-995-11	PIN, CONNECTOR (PC BOARD)	13P
* CNP501	1-564-782-11	PIN, CONNECTOR	4P
* CNP502	1-564-784-11	PIN, CONNECTOR	6P
CNP801	1-566-314-21	PIN, CONNECTOR	10P
* CNP901	1-506-985-11	PIN, CONNECTOR (PC BOARD)	3P
< DIODE >			
D1	8-719-911-19	DIODE	1SS119
D2	8-719-911-19	DIODE	1SS119
D3	8-719-911-19	DIODE	1SS119
D4	8-719-911-19	DIODE	1SS119
D5	8-719-109-60	DIODE	RD2. 7ESB2
D51	8-719-033-70	DIODE	KV1583BMTR
D54	8-719-911-19	DIODE	1SS119
D55	8-719-911-19	DIODE	1SS119
D101	8-719-911-19	DIODE	1SS119
D201	8-719-911-19	DIODE	1SS119
D301	8-719-200-82	DIODE	11ES2 (XR-2900)
D302	8-719-911-19	DIODE	1SS119
D351	8-719-983-13	DIODE	MTZJ-T-77-3. 6B
D352	8-719-911-19	DIODE	1SS119
D353	8-719-911-19	DIODE	1SS119
D354	8-719-911-19	DIODE	1SS119
D355	8-719-911-19	DIODE	1SS119
D356	8-719-911-19	DIODE	1SS119
D357	8-719-911-19	DIODE	1SS119
D358	8-719-911-19	DIODE	1SS119
D359	8-719-110-13	DIODE	RD9. 1ESB2
D360	8-719-200-82	DIODE	11ES2
D361	8-719-989-16	DIODE	1S2472
D362	8-719-200-82	DIODE	11ES2
D363	8-719-200-82	DIODE	11ES2
D501	8-719-911-19	DIODE	1SS119
D691	8-719-911-19	DIODE	1SS119
D692	8-719-911-19	DIODE	1SS119
D704	8-719-911-19	DIODE	1SS119
D705	8-719-109-89	DIODE	RD5. 6ESB2
D706	8-719-911-19	DIODE	1SS119
D707	8-719-911-19	DIODE	1SS119
D708	8-719-911-19	DIODE	1SS119
D709	8-719-911-19	DIODE	1SS119
D710	8-719-911-19	DIODE	1SS119
D711	8-719-911-19	DIODE	1SS119
D712	8-719-911-19	DIODE	1SS119
D713	8-719-911-19	DIODE	1SS119
D714	8-719-911-19	DIODE	1SS119
D717	8-719-921-75	DIODE	MTZN-10B (XR-2900)
D718	8-719-109-89	DIODE	RD5. 6ESB2

MAIN Including AM

Ref. No.	Part No.	Description	Remark
< FRONTEND >			
FE1	1-465-919-11	FRONT END	
< IC >			
IC1	8-759-822-57	IC LA1145MF2	
IC2	8-759-821-70	IC LA3430M	
IC51	8-759-821-95	IC LA1137NM	
IC101	8-759-046-31	IC BA328F	
IC102	8-752-050-13	IC CXA1101M	(XR-2900)
IC201	8-759-909-71	IC BA4558F	(EXR-14/XR-2600)
IC301	8-759-800-71	IC LA2010	(XR-2900)
IC321	8-759-106-02	IC uPC4570G2	
IC601	8-759-243-27	IC TA8215H	
IC701	8-759-163-42	IC uPD1708AG-336-00	
< JACK >			
J1	1-573-995-11	JACK (ANT)	
J501	1-565-319-71	JACK, PIN 2P (PRE OUT)	(XR-2600/2900)
< JUMPER RESISTOR >			
JR1	1-216-295-00	METAL CHIP	0 5% 1/10W
JR2	1-216-295-00	METAL CHIP	0 5% 1/10W
JR3	1-216-295-00	METAL CHIP	0 5% 1/10W
JR4	1-216-295-00	METAL CHIP	0 5% 1/10W
JR6	1-216-295-00	METAL CHIP	0 5% 1/10W
JR7	1-216-295-00	METAL CHIP	0 5% 1/10W
JR51	1-216-295-00	METAL CHIP	0 5% 1/10W
JR52	1-216-295-00	METAL CHIP	0 5% 1/10W
JR101	1-216-296-00	METAL CHIP	0 5% 1/8W
JR102	1-216-296-00	METAL CHIP	0 5% 1/8W
JR103	1-216-296-00	METAL CHIP	0 5% 1/8W
JR104	1-216-296-00	METAL CHIP	0 5% 1/8W
JR105	1-216-296-00	METAL CHIP	0 5% 1/8W
JR106	1-216-296-00	METAL CHIP	0 5% 1/8W
JR107	1-216-296-00	METAL CHIP	0 5% 1/8W
JR108	1-216-296-00	METAL CHIP	0 5% 1/8W
JR109	1-216-296-00	METAL CHIP	0 5% 1/8W
JR110	1-216-296-00	METAL CHIP	0 5% 1/8W
JR501	1-216-296-00	METAL CHIP	0 5% 1/8W
< COIL >			
L1	1-410-324-11	INDUCTOR	4. 7uH
L2	1-414-146-31	INDUCTOR	2. 2uH
L3	1-410-312-11	INDUCTOR	0. 22uH
L5	1-410-513-11	INDUCTOR	22uH
L51	1-410-513-11	INDUCTOR	22uH
L52	1-410-513-11	INDUCTOR	22uH
L53	1-408-418-00	INDUCTOR	56uH
L54	1-410-506-11	INDUCTOR	5. 6uH

Ref. No.	Part No.	Description	Remark
< TRANSISTOR >			
Q1	8-729-902-99	TRANSISTOR DTC114TK	
Q51	8-729-266-83	TRANSISTOR 2SC2668-Y	
Q52	8-729-853-64	TRANSISTOR 2SC536SP-G	
Q53	8-729-105-74	TRANSISTOR 2SK523-M1	
Q101	8-729-902-99	TRANSISTOR DTC114TK	(XR-2900)
Q102	8-729-922-87	TRANSISTOR 2SD1757K-RS	
Q201	8-729-902-99	TRANSISTOR DTC114TK	(XR-2900)
Q202	8-729-922-87	TRANSISTOR 2SD1757K-RS	
Q251	8-729-903-30	TRANSISTOR DTC144TK	(XR-2900)
Q301	8-729-807-12	TRANSISTOR 2SD1802-S	(XR-2900)
Q302	8-729-900-61	TRANSISTOR DTA114ES	(XR-2900)
Q303	8-729-901-04	TRANSISTOR DTA114EK	(XR-2900)
Q352	8-729-901-00	TRANSISTOR DTC124EK	
Q353	8-729-216-22	TRANSISTOR 2SA1162-G	
Q354	8-729-209-15	TRANSISTOR 2SD2012	
Q355	8-729-901-03	TRANSISTOR DTC144WK	
Q356	8-729-988-13	TRANSISTOR 2SA881-R	
Q357	8-729-901-00	TRANSISTOR DTC124EK	(XR-2900)
Q358	8-729-906-45	TRANSISTOR DTA143XK	
Q359	8-729-901-00	TRANSISTOR DTC124EK	
Q360	8-729-205-02	TRANSISTOR 2SA1150-Y	
Q402	8-729-902-99	TRANSISTOR DTC114TK	
Q452	8-729-902-99	TRANSISTOR DTC114TK	
Q601	8-729-907-34	TRANSISTOR 2SD1468S-S	
Q651	8-729-907-34	TRANSISTOR 2SD1468S-S	
Q705	8-729-967-32	TRANSISTOR 2SC2673	
Q706	8-729-016-76	TRANSISTOR 2SC2412KLN-E	
Q707	8-729-016-76	TRANSISTOR 2SC2412KLN-E	
Q708	8-729-119-78	TRANSISTOR 2SC2785-HFE	
< RESISTOR >			
R1	1-216-067-00	METAL GLAZE	5. 6K 5% 1/10W
R2	1-216-001-00	METAL CHIP	10 5% 1/10W
R3	1-216-061-00	METAL CHIP	3. 3K 5% 1/10W
R4	1-216-037-00	METAL CHIP	330 5% 1/10W
R5	1-216-689-11	METAL CHIP	39K 0. 5% 1/10W
R6	1-216-075-00	METAL CHIP	12K 5% 1/10W
R7	1-216-081-00	METAL CHIP	22K 5% 1/10W
R8	1-216-070-00	METAL CHIP	7. 5K 5% 1/10W
R9	1-216-077-00	METAL CHIP	15K 5% 1/10W
R10	1-216-073-00	METAL CHIP	10K 5% 1/10W
R11	1-216-071-00	METAL CHIP	8. 2K 5% 1/10W
R12	1-216-083-00	METAL CHIP	27K 5% 1/10W
R13	1-216-071-00	METAL CHIP	8. 2K 5% 1/10W
R14	1-216-069-00	METAL CHIP	6. 8K 5% 1/10W
R15	1-216-081-00	METAL CHIP	22K 5% 1/10W
R16	1-216-091-00	METAL CHIP	56K 5% 1/10W
R17	1-216-057-00	METAL CHIP	2. 2K 5% 1/10W

MAIN Including AM

Ref. No.	Part No.	Description	Remark			Ref. No.	Part No.	Description	Remark		
R18	1-216-150-00	METAL GLAZE	10	5%	1/8W	R120	1-216-097-00	METAL CHIP	100K	5%	1/10W (EXR-14/XR-2600)
R19	1-216-065-00	METAL CHIP	4.7K	5%	1/10W	R121	1-216-053-00	METAL CHIP	1.5K	5%	1/10W (EXR-14/XR-2600)
R23	1-216-085-00	METAL CHIP	33K	5%	1/10W	R194	1-216-009-00	METAL CHIP	22	5%	1/10W
R24	1-216-689-11	METAL CHIP	39K	0.5%	1/10W	R201	1-216-091-00	METAL CHIP	56K	5%	1/10W
R25	1-216-092-00	METAL GLAZE	62K	5%	1/10W	R202	1-216-064-00	METAL CHIP	4.3K	5%	1/10W
R26	1-249-438-11	CARBON	56K	5%	1/4W	R203	1-216-097-00	METAL CHIP	100K	5%	1/10W
R27	1-216-061-00	METAL CHIP	3.3K	5%	1/10W	R204	1-216-051-00	METAL CHIP	1.2K	5%	1/10W
R28	1-216-061-00	METAL CHIP	3.3K	5%	1/10W	R205	1-216-220-00	METAL GLAZE	8.2K	5%	1/8W (XR-2900)
R29	1-249-438-11	CARBON	56K	5%	1/4W	R206	1-216-081-00	METAL CHIP	22K	5%	1/10W
R30	1-249-441-11	CARBON	100K	5%	1/4W	R207	1-216-053-00	METAL CHIP	1.5K	5%	1/10W (XR-2900)
R31	1-216-065-00	METAL CHIP	4.7K	5%	1/10W	R208	1-216-109-00	METAL CHIP	330K	5%	1/10W (XR-2900)
R32	1-216-089-00	METAL CHIP	47K	5%	1/10W	R209	1-216-051-00	METAL CHIP	1.2K	5%	1/10W
R51	1-216-073-00	METAL CHIP	10K	5%	1/10W	R210	1-249-406-11	CARBON	120	5%	1/4W (EXR-14/XR-2600)
R52	1-216-043-00	METAL CHIP	560	5%	1/10W	R211	1-216-085-00	METAL CHIP	33K	5%	1/10W (EXR-14/XR-2600)
R53	1-216-121-00	METAL CHIP	1M	5%	1/10W	R212	1-216-097-00	METAL CHIP	100K	5%	1/10W (EXR-14/XR-2600)
R54	1-216-171-00	METAL GLAZE	75	5%	1/8W	R213	1-216-073-00	METAL CHIP	10K	5%	1/10W
R55	1-216-041-00	METAL CHIP	470	5%	1/10W	R214	1-216-055-00	METAL CHIP	1.8K	5%	1/10W
R56	1-216-097-00	METAL CHIP	100K	5%	1/10W	R215	1-216-089-00	METAL CHIP	47K	5%	1/10W
R57	1-216-246-00	METAL GLAZE	100K	5%	1/8W	R219	1-216-053-00	METAL CHIP	1.5K	5%	1/10W
R58	1-216-198-00	METAL CHIP	1K	5%	1/8W	R220	1-216-097-00	METAL CHIP	100K	5%	1/10W (EXR-14/XR-2600)
R59	1-216-097-00	METAL CHIP	100K	5%	1/10W	R221	1-216-053-00	METAL CHIP	1.5K	5%	1/10W (EXR-14/XR-2600)
R60	1-216-064-00	METAL CHIP	4.3K	5%	1/10W	R251	1-216-097-00	METAL CHIP	100K	5%	1/10W (XR-2900)
R61	1-216-021-00	METAL CHIP	68	5%	1/10W	R290	1-216-009-00	METAL CHIP	22	5%	1/10W
R62	1-216-073-00	METAL CHIP	10K	5%	1/10W	R291	1-216-105-00	METAL CHIP	220K	5%	1/10W (XR-2900)
R63	1-216-073-00	METAL CHIP	10K	5%	1/10W	R293	1-216-088-00	METAL CHIP	43K	5%	1/10W (XR-2900)
R64	1-216-057-00	METAL CHIP	2.2K	5%	1/10W	R294	1-216-081-00	METAL CHIP	22K	5%	1/10W (XR-2900)
R65	1-216-085-00	METAL CHIP	33K	5%	1/10W	R302	1-216-112-00	METAL GLAZE	430K	5%	1/10W (XR-2900)
R66	1-216-069-00	METAL CHIP	6.8K	5%	1/10W	R303	1-216-097-00	METAL CHIP	100K	5%	1/10W (XR-2900)
R67	1-216-111-00	METAL CHIP	390K	5%	1/10W	R304	1-216-025-00	METAL CHIP	100	5%	1/10W (XR-2900)
R68	1-247-881-00	CARBON	120K	5%	1/4W	R305	1-216-089-00	METAL CHIP	47K	5%	1/10W (XR-2900)
R69	1-247-881-00	CARBON	120K	5%	1/4W	R306	1-216-025-00	METAL CHIP	100	5%	1/10W (XR-2900)
R101	1-216-091-00	METAL CHIP	56K	5%	1/10W	R352	1-216-085-00	METAL CHIP	33K	5%	1/10W
R102	1-216-064-00	METAL CHIP	4.3K	5%	1/10W	R353	1-216-077-00	METAL CHIP	15K	5%	1/10W
R103	1-216-097-00	METAL CHIP	100K	5%	1/10W	R354	1-216-029-00	METAL CHIP	150	5%	1/10W
R104	1-216-051-00	METAL CHIP	1.2K	5%	1/10W	R355	1-216-093-00	METAL CHIP	68K	5%	1/10W
R105	1-216-071-00	METAL CHIP	8.2K	5%	1/10W (XR-2900)	R356	1-216-085-00	METAL CHIP	33K	5%	1/10W
R106	1-216-081-00	METAL CHIP	22K	5%	1/10W	R357	1-216-049-00	METAL CHIP	1K	5%	1/10W
R107	1-216-053-00	METAL CHIP	1.5K	5%	1/10W (XR-2900)	R358	1-216-089-00	METAL CHIP	47K	5%	1/10W
R108	1-216-109-00	METAL CHIP	330K	5%	1/10W (XR-2900)	R359	1-216-091-00	METAL CHIP	56K	5%	1/10W
R109	1-216-051-00	METAL CHIP	1.2K	5%	1/10W	R360	1-216-049-00	METAL CHIP	1K	5%	1/10W
R110	1-249-406-11	CARBON	120	5%	1/4W (EXR-14/XR-2600)	R361	1-247-778-00	CARBON	6.2	5%	1/4W
R111	1-216-085-00	METAL CHIP	33K	5%	1/10W (EXR-14/XR-2600)	R362	1-247-778-00	CARBON	6.2	5%	1/4W
R112	1-216-097-00	METAL CHIP	100K	5%	1/10W (EXR-14/XR-2600)	R364	1-216-009-00	METAL CHIP	22	5%	1/10W
R113	1-216-073-00	METAL CHIP	10K	5%	1/10W	R368	1-216-105-00	METAL CHIP	220K	5%	1/10W
R114	1-216-055-00	METAL CHIP	1.8K	5%	1/10W						
R115	1-216-089-00	METAL CHIP	47K	5%	1/10W						
R119	1-216-053-00	METAL CHIP	1.5K	5%	1/10W						

MAIN Including AM

Ref. No.	Part No.	Description	Remark		
R369	1-216-067-00	METAL CHIP	5.6K	5%	1/10W
R370	1-249-409-11	CARBON	220	5%	1/4W
R371	1-249-409-11	CARBON	220	5%	1/4W
R372	1-249-393-11	CARBON	10	5%	1/4W
R373	1-249-393-11	CARBON	10	5%	1/4W
R374	1-249-393-11	CARBON	10	5%	1/4W
R401	1-216-689-11	METAL CHIP	39K	0.5%	1/10W
R403	1-216-090-00	METAL CHIP	51K	5%	1/10W
R411	1-216-065-00	METAL CHIP	4.7K	5%	1/10W
R451	1-216-689-11	METAL CHIP	39K	0.5%	1/10W
R453	1-216-090-00	METAL CHIP	51K	5%	1/10W
R501	1-216-249-00	METAL GLAZE	130K	5%	1/8W
R502	1-216-101-00	METAL CHIP	150K	5%	1/10W
R503	1-216-049-00	METAL CHIP	1K	5%	1/10W
R504	1-216-049-00	METAL CHIP	1K	5%	1/10W
					(XR-2600/2900)
R505	1-216-089-00	METAL CHIP	47K	5%	1/10W
					(XR-2600/2900)
R506	1-216-085-00	METAL CHIP	33K	5%	1/10W
R507	1-216-063-00	METAL CHIP	3.9K	5%	1/10W
R551	1-216-100-00	METAL GLAZE	130K	5%	1/10W
R552	1-216-101-00	METAL CHIP	150K	5%	1/10W
R553	1-216-049-00	METAL CHIP	1K	5%	1/10W
R554	1-216-049-00	METAL CHIP	1K	5%	1/10W
					(XR-2600/2900)
R555	1-216-089-00	METAL CHIP	47K	5%	1/10W
					(XR-2600/2900)
R556	1-216-085-00	METAL CHIP	33K	5%	1/10W
R557	1-216-063-00	METAL CHIP	3.9K	5%	1/10W
R591	1-216-001-00	METAL CHIP	10	5%	1/10W
R601	1-216-071-00	METAL CHIP	8.2K	5%	1/10W
R602	1-216-204-00	METAL GLAZE	1.8K	5%	1/8W
R603	1-216-041-00	METAL CHIP	470	5%	1/10W
R605	1-216-134-00	METAL CHIP	2.2	5%	1/8W
R606	1-216-134-00	METAL CHIP	2.2	5%	1/8W
R651	1-216-071-00	METAL CHIP	8.2K	5%	1/10W
R652	1-216-204-00	METAL GLAZE	1.8K	5%	1/8W
R653	1-216-041-00	METAL CHIP	470	5%	1/10W
R655	1-216-134-00	METAL CHIP	2.2	5%	1/8W
R656	1-216-134-00	METAL CHIP	2.2	5%	1/8W
R691	1-216-049-00	METAL CHIP	1K	5%	1/10W
R692	1-216-689-11	METAL CHIP	39K	0.5%	1/10W
R693	1-216-097-00	METAL CHIP	100K	5%	1/10W
R695	1-216-065-00	METAL CHIP	4.7K	5%	1/10W
R706	1-216-065-00	METAL CHIP	4.7K	5%	1/10W
R707	1-216-071-00	METAL CHIP	8.2K	5%	1/10W
R708	1-216-689-11	METAL CHIP	39K	0.5%	1/10W
R710	1-216-089-00	METAL CHIP	47K	5%	1/10W
R711	1-216-089-00	METAL CHIP	47K	5%	1/10W
R712	1-216-089-00	METAL CHIP	47K	5%	1/10W
R713	1-216-089-00	METAL CHIP	47K	5%	1/10W
R714	1-216-089-00	METAL CHIP	47K	5%	1/10W

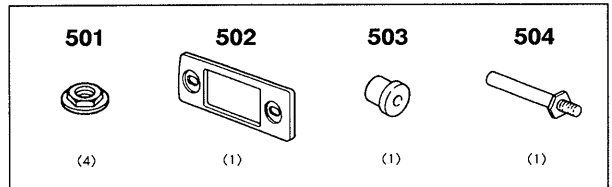
Ref. No.	Part No.	Description	Remark		
R715	1-216-073-00	METAL CHIP	10K	5%	1/10W
R716	1-216-049-00	METAL CHIP	1K	5%	1/10W
R717	1-216-061-00	METAL CHIP	3.3K	5%	1/10W
R718	1-216-121-00	METAL CHIP	1M	5%	1/10W
R719	1-216-053-00	METAL CHIP	1.5K	5%	1/10W
R720	1-216-053-00	METAL CHIP	1.5K	5%	1/10W
R721	1-249-421-11	CARBON	2.2K	5%	1/4W
R722	1-216-049-00	METAL CHIP	1K	5%	1/10W
R723	1-249-393-11	CARBON	10	5%	1/4W
R724	1-216-097-00	METAL CHIP	100K	5%	1/10W
R725	1-216-097-00	METAL CHIP	100K	5%	1/10W
R726	1-216-097-00	METAL CHIP	100K	5%	1/10W
R727	1-216-109-00	METAL CHIP	330K	5%	1/10W
R728	1-249-421-11	CARBON	2.2K	5%	1/4W
					< VARIABLE RESISTOR >
RV1	1-228-995-00	RES, ADJ, METAL 22K			
RV2	1-228-994-00	RES, ADJ, METAL 10K			
RV51	1-228-995-00	RES, ADJ, METAL 22K			
RV101	1-228-989-00	RES, ADJ, METAL 470			(XR-2900)
RV201	1-228-989-00	RES, ADJ, METAL 470			(XR-2900)
RV401					
S401	1-223-319-11	RES, VAR CARBON 50KX4/200KX2/80X2			(TREBLE/BASS/VOLUME/FADER/POWER)
RV402					
S851					
S852	1-241-680-11	RES, VAR, CARBON 100K (SW)			(BALANCE/SEEK/DISP/TUNING)
S853					
					< TRANSFORMER >
T1	1-404-856-11	COIL, DISCRIMINATOR 10.7MHz			
T51	1-406-604-11	COIL (ANT)			
T52	1-406-600-11	COIL (RF)			
T53	1-406-601-11	COIL (RF)			
T54	1-406-605-11	COIL (OSC)			
T55	1-406-602-11	TRANSFORMER, IF 450kHz			
T56	1-406-603-11	TRANSFORMER, IF 450kHz			
					< THERMISTOR(POSITIVE) >
THP301	1-809-148-11	THERMISTOR, POSITIVE			
					< VIBRATOR >
X701	1-567-713-11	VIBRATOR, CRYSTAL			

Ref. No.	Part No.	Description	Remark
		MISCELLANEOUS *****	
7	1-751-021-11	CABLE, FLAT (28 CORE)	
8	1-535-667-81	WIRE (FLAT TYPE) (9 CORE)	
61	1-424-629-21	COIL, CHOKE 500uH	
122	1-543-717-11	HEAD, MAGNETIC (PLAYBACK)	
F1	1-533-287-11	FUSE (1A)	
F2	1-533-301-11	FUSE (6A)	
M701	X-3364-496-1	MOTOR ASSY	
PM701	1-454-464-12	SOLENOID, PLUNGER(AMS SENSOR) (XR-2900)	
S701	1-692-036-11	SWITCH, SLIDE (FWD→REV)	
S702	1-692-065-11	SWITCH, LEAF (MUTE)	
S703	1-554-790-21	SWITCH, POWER (RADIO→TAPE)	

		ACCESSORIES & PACKING MATERIALS *****	
	1-751-069-11	CORD (WITH CONNECTOR AND FUSE) (XR-2600/2900)	
	1-751-069-21	CORD (WITH CONNECTOR AND FUSE) (EXR-14)	
	3-349-410-01	BUSHING	
	3-373-625-21	KNOB (B) (VOLUME/TUNING) (EXR-14)	
	3-383-093-01	KNOB (B) (VOLUME/TUNING) (XR-2600/2900)	
*	3-375-632-11	CUSHION (UPPER)	
*	3-375-633-12	CUSHION (LOWER)	
	3-386-828-01	SCREW, FITTING	
*	3-387-756-01	INDIVIDUAL CARTON (XR-2900)	
*	3-387-758-01	INDIVIDUAL CARTON (XR-2600)	
*	3-387-763-01	INDIVIDUAL CARTON (EXR-14)	
	3-575-039-00	NUT, CONTROL	
	3-756-546-21	MANUAL, INSTRUCTION (ENGLISH, FRENCH) (XR-2600/2900)	
	3-756-547-21	MANUAL, INSTRUCTION, INSTALL (ENGLISH, FRENCH) (XR-2600/2900)	
	3-756-550-21	MANUAL, INSTRUCTION (ENGLISH, FRENCH) (EXR-14)	
	3-756-552-21	MANUAL, INSTRUCTION, INSTALL (ENGLISH, FRENCH) (EXR-14)	
	X-3364-774-1	KNOB(2) ASSY (FADER/BALANCE) (EXR-14)	
	X-3365-672-1	KNOB(A) ASSY (FADER/BALANCE) (XR-2600/2900)	
	9-911-841-XX	CUSHION, ANTENNA	

Ref. No.	Part No.	Description	Remark
		***** HARDWARE LIST *****	
#1	7-621-770-67	SCREW +PTT 2.6X6 (S)	
#2	7-621-773-86	SCREW +PTT 2.6X4 (S)	
#3	7-685-647-79	SCREW +BVTP 3X10 TYPE2 N-S	
#4	7-621-555-10	SCREW +K 2X3	
#5	7-621-255-25	SCREW +PTT 2X4 (S)	
#6	7-627-553-88	SCREW, PRECISION +P 2X7	
#7	7-624-102-04	STOP RING 1.5, TYPE -E	
#8	7-624-104-04	STOP RING 2.0, TYPE -E	
#9	7-624-118-01	RING, RETAINING E-2.5	
#10	7-627-553-48	SCREW, PRECISION +P 2X4	
#11	7-621-255-15	SCREW +P 2X3	
#12	7-621-591-00	SCREW +K 2X4	
#13	7-682-550-04	SCREW +PTT 3X12 (S)	
#14	7-621-255-40	SCREW +P 2X6 (XR-2900)	

		MOUNTING HARDWARE *****	



501	3-575-039-00	NUT, CONTROL	
502	3-383-094-41	PLATE, TRIM (EXR-14)	
502	3-383-094-51	PLATE, TRIM (XR-2600/2900)	
503	3-349-410-01	BUSHING	
504	3-386-828-01	SCREW, FITTING	

EXR-14/XR-2600/2900

SONY®
SERVICE MANUAL

US Model
EXR-14
US Model
Canadian Model
XR-2600/2900

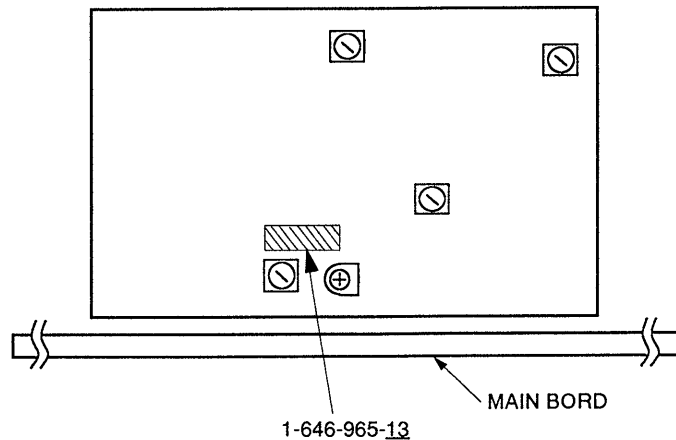
SUPPLEMENT-1

File this Supplement with the Service Manual.

Subject : PC Boards change

New type identification:

【AM BOARD】 – Component side –



CHANGED PARTS LIST

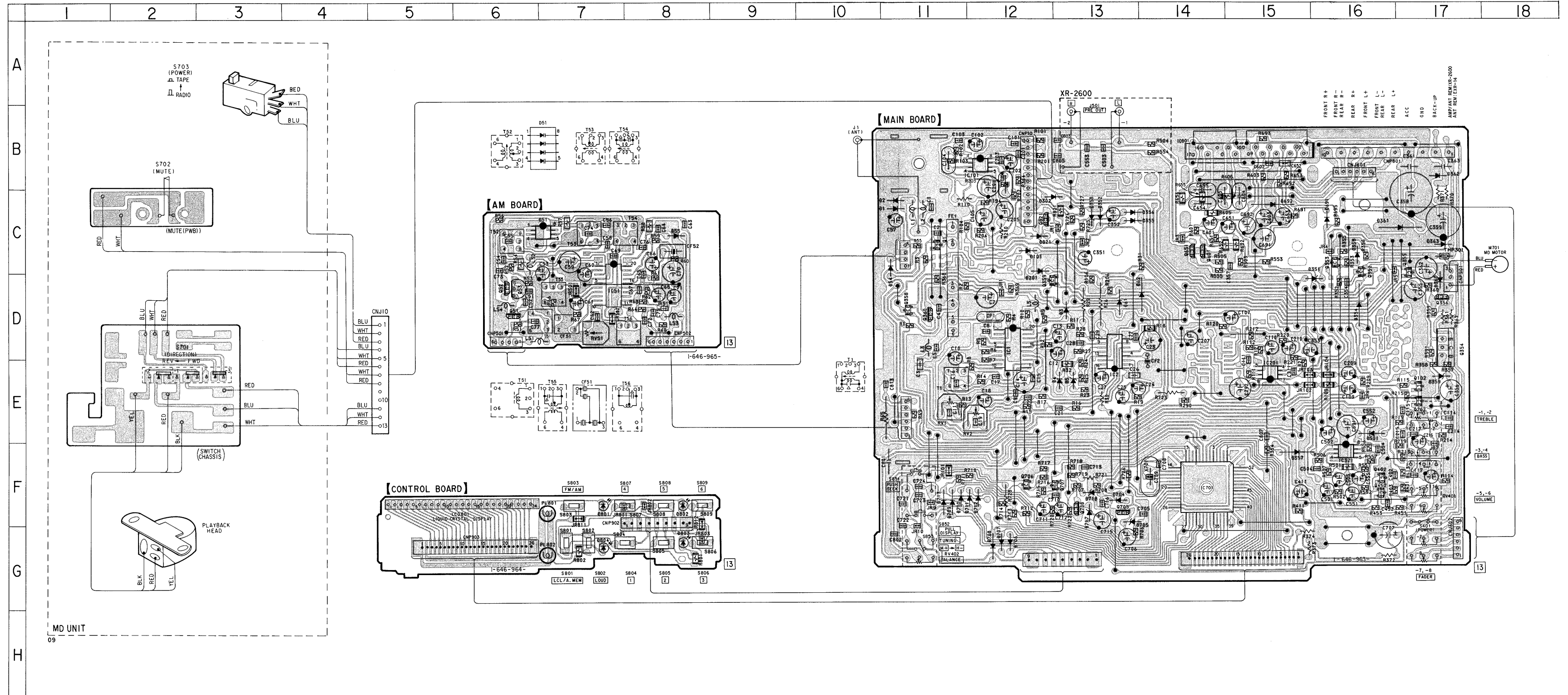
PAGE	FORMER	NEW
36	C52 1-163-037-11 CERAMIC (CHIP) 0.022uF 10% 25V C70 1-124-589-11 ELECT 47uF 20% 16V C75 1-164-232-11 CERAMIC (CHIP) 0.01uF 50V	C52 1-163-017-00 CERAMIC (CHIP) 0.047uF 10% 50V C70 1-126-176-11 ELECT 220uF 20% 10V C75 1-163-022-00 CERAMIC (CHIP) 0.012uF 10% 50V
37	C721 1-163-013-00 CERAMIC (CHIP) 0.0022uF 5% 50V C725 1-163-013-00 CERAMIC (CHIP) 0.0022uF 5% 50V C807 _____ C813 _____ D61 _____ D62 _____ D361 8-719-989-16 DIODE 1S2472 D821 _____	C721 1-163-139-00 CERAMIC (CHIP) 820pF 10% 50V C725 _____ C807 1-163-809-11 CERAMIC (CHIP) 0.047uF 10% 25V C813 1-163-809-11 CERAMIC (CHIP) 0.047uF 10% 25V D61 8-719-901-33 DIODE 1SS133 D62 8-719-901-33 DIODE 1SS133 D361 8-719-989-62 DIODE RL254 D821 8-719-986-73 DIODE RB441Q
38	FE1 1-465-919-11 FRONT END, FM JR5 _____ JR8 _____ JR9 _____ JR10 _____ JR11 _____ JR52 1-216-295-00 METAL CHIP 0 5% 1/10W JR105 1-216-296-00 METAL CHIP 0 5% 1/8W JR106 1-216-296-00 METAL CHIP 0 5% 1/8W JR107 1-216-296-00 METAL CHIP 0 5% 1/8W JR108 1-216-296-00 METAL CHIP 0 5% 1/8W JR109 1-216-296-00 METAL CHIP 0 5% 1/8W JR110 1-216-296-00 METAL CHIP 0 5% 1/8W L53 1-408-418-00 INDUCTOR 56uH Q601 8-729-907-34 TRANSISTOR 2SD1468S-S Q602 8-729-907-34 TRANSISTOR 2SD1468S-S Q821 _____ R5 1-216-689-11 METAL CHIP 39K 0.5% 1/10W R7 1-216-081-00 METAL CHIP 22K 5% 1/10W	FE1 1-693-223-11 FRONT END, FM JR5 1-216-295-00 METAL CHIP 0 5% 1/10W JR8 1-216-295-00 METAL CHIP 0 5% 1/10W (XR-2900) JR9 1-216-295-00 METAL CHIP 0 5% 1/10W JR10 1-216-295-00 METAL CHIP 0 5% 1/10W JR11 1-216-295-00 METAL CHIP 0 5% 1/10W JR52 _____ JR105 1-216-296-00 METAL CHIP 0 5% 1/8W (XR-2900) JR106 1-216-296-00 METAL CHIP 0 5% 1/8W (XR-2900) JR107 1-216-296-00 METAL CHIP 0 5% 1/8W (XR-2900) JR108 1-216-296-00 METAL CHIP 0 5% 1/8W (XR-2900) JR109 _____ JR110 _____ L53 1-410-518-21 INDUCTOR 56uH Q601 8-729-907-34 TRANSISTOR 2SD1468S-S (XR-2900) Q601 8-729-119-78 TRANSISTOR 2SC2785-HFE (EXR-14/XR-2600) Q602 8-729-907-34 TRANSISTOR 2SD1468S-S (XR-2900) Q602 8-729-119-78 TRANSISTOR 2SC2785-HFE (EXR-14/XR-2600) Q821 8-729-205-02 TRANSISTOR 2SA1150-Y R5 1-216-083-00 METAL CHIP 27K 5% 1/10W R7 1-216-075-00 METAL CHIP 12K 5% 1/10W
39	R25 1-216-092-00 METAL CHIP 62K 5% 1/10W R26 1-249-438-11 CARBON 56K 5% 1/4W R27 1-249-438-11 CARBON 56K 5% 1/4W R32 1-216-089-00 METAL CHIP 47K 5% 1/10W R65 1-216-085-00 METAL CHIP 33K 5% 1/10W R68 1-247-881-00 CARBON 120K 5% 1/4W R69 1-247-881-00 CARBON 120K 5% 1/4W R106 1-216-081-00 METAL CHIP 22K 5% 1/10W R109 1-216-081-00 METAL CHIP 1.2K 5% 1/10W R205 1-216-220-00 METAL CHIP 8.2K 5% 1/8W (XR-2900) R206 1-216-081-00 METAL CHIP 22K 5% 1/10W R291 1-216-105-00 METAL CHIP 220K 5% 1/10W (XR-2900)	R25 1-216-090-00 METAL CHIP 51K 5% 1/10W R26 1-249-440-11 CARBON 82K 5% 1/4W R27 1-249-440-11 CARBON 82K 5% 1/4W R32 1-216-238-00 METAL CHIP 4.7K 5% 1/8W R65 1-249-435-11 CARBON 33K 5% 1/4W R68 1-216-097-00 METAL CHIP 100K 5% 1/10W R69 1-216-085-00 METAL CHIP 33K 5% 1/10W R106 1-216-085-00 METAL CHIP 33K 5% 1/10W R109 1-216-200-00 METAL CHIP 1.2K 5% 1/8W R205 1-216-071-00 METAL CHIP 8.2K 5% 1/10W (XR-2900) R206 1-216-085-00 METAL CHIP 33K 5% 1/10W R291 1-247-887-00 CARBON 220K 5% 1/4W (XR-2900)

PAGE	FORMER	NEW
40	R505 1-216-089-00 METAL CHIP 47K 5% 1/10W (XR-2600/2900)	R505 1-216-089-00 METAL CHIP 47K 5% 1/10W
	R507 1-216-063-00 METAL CHIP 3.9K 5% 1/10W	R507 1-216-061-00 METAL CHIP 3.3K 5% 1/10W
	R505 1-216-089-00 METAL CHIP 47K 5% 1/10W (XR-2600/2900)	R505 1-216-089-00 METAL CHIP 47K 5% 1/10W
	R507 1-216-063-00 METAL CHIP 3.9K 5% 1/10W	R507 1-216-061-00 METAL CHIP 3.3K 5% 1/10W
	R602 1-216-204-00 METAL CHIP 1.8K 5% 1/8W	R602 1-216-210-00 METAL CHIP 3.3K 5% 1/8W
	R652 1-216-204-00 METAL CHIP 1.8K 5% 1/8W	R652 1-216-210-00 METAL CHIP 3.3K 5% 1/8W
	R821 _____	R821 1-216-214-00 METAL CHIP 4.7K 5% 1/8W
	RV51 1-228-995-00 RES, ADJ, METAL 22K	RV51 1-228-994-00 RES, ADJ, METAL 10K

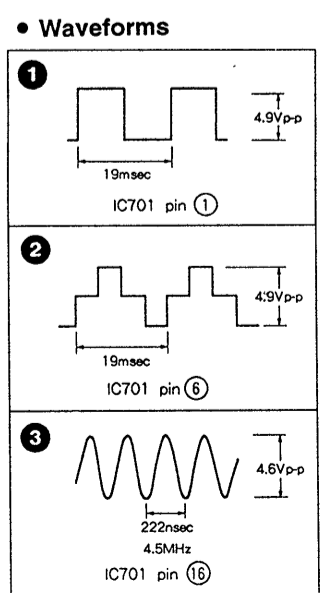
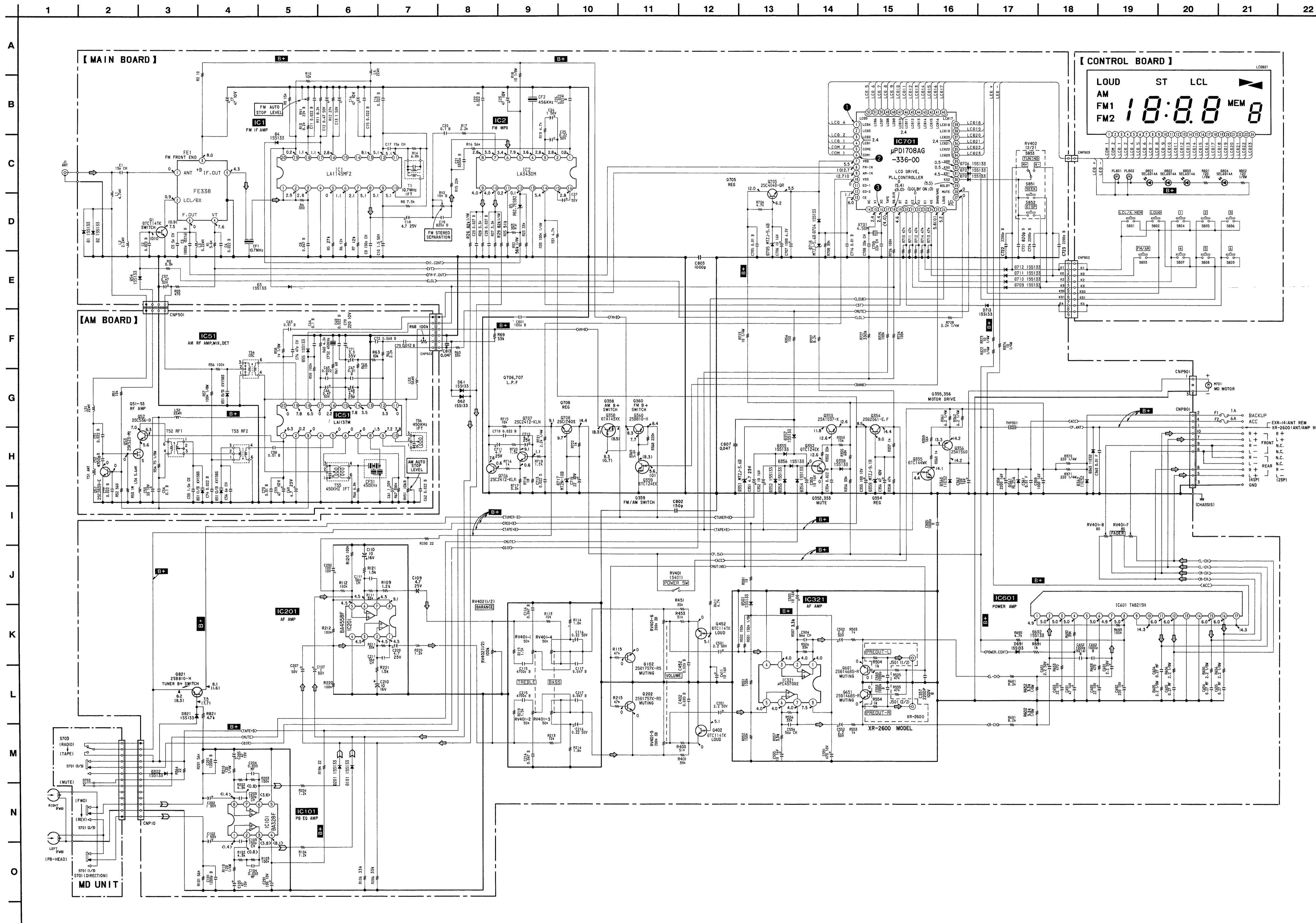
PRINTED WIRING BOARDS (EXR-14/XR-2600 model)

• Semiconductor Location

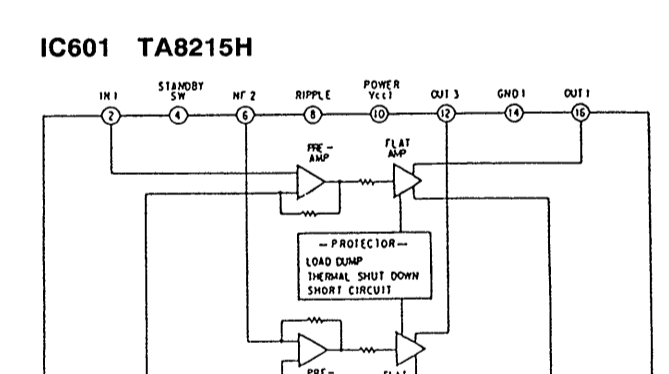
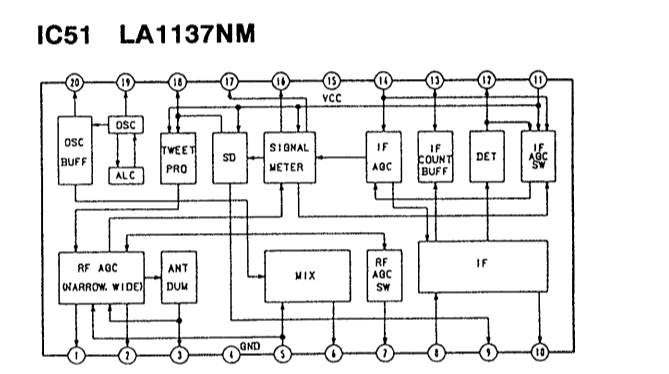
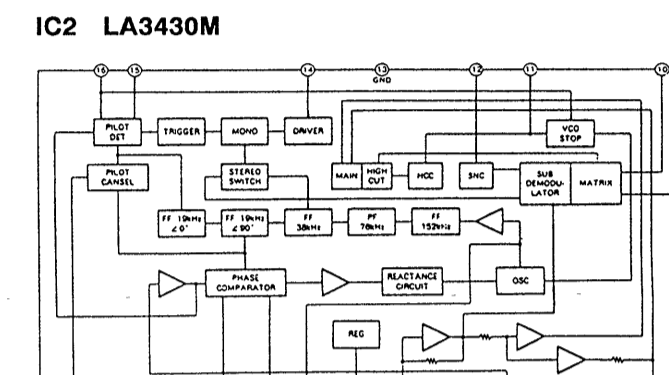
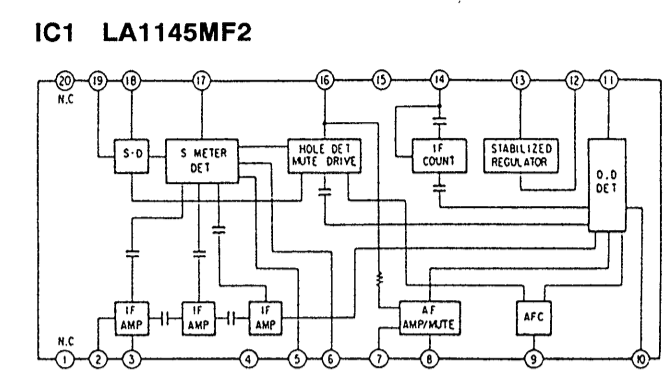
Ref. No.	Location	Ref. No.	Location
D1	C-11	D718	F-13
D2	C-11	D801	F-7
D3	D-13	D802	F-8
D4	E-13	D803	G-8
D5	E-13	D804	G-7
D51	C-7	D821	C-12
D54	D-11		
D55	C-8	IC1	D-12
D61	D-13	IC2	E-13
D62	D-13	IC51	D-7
D101	C-12	IC101	B-12
D201	D-12	IC201	E-15
D302	C-12	IC321	F-16
D351	C-16	IC601	B-14
D352	C-13	IC701	F-14
D353	C-13		
D354	D-16	Q1	C-11
D355	C-14	Q51	D-6
D356	C-14	Q52	D-6
D357	F-15	Q53	D-6
D358	C-16	Q102	E-17
D359	E-17	Q202	E-17
D360	D-17	Q352	D-16
D361	C-16	Q353	C-16
D362	B-17	Q354	D-17
D363	C-17	Q355	C-17
D501	E-16	Q356	D-17
D691	C-16	Q358	D-11
D692	C-15	Q359	D-12
D704	F-13	Q360	D-11
D705	G-14	Q402	F-16
D706	G-12	Q452	F-16
D707	G-12	Q601	C-14
D708	G-12	Q651	C-14
D709	F-11	Q705	F-13
D710	F-11	Q706	F-12
D711	F-12	Q707	F-13
D712	F-12	Q708	F-13
D713	F-11	Q821	C-12
D717	F-13		



Note:
 • ○ : parts extracted from the component side.
 • ▨ : Pattern from the side which enable seeing.



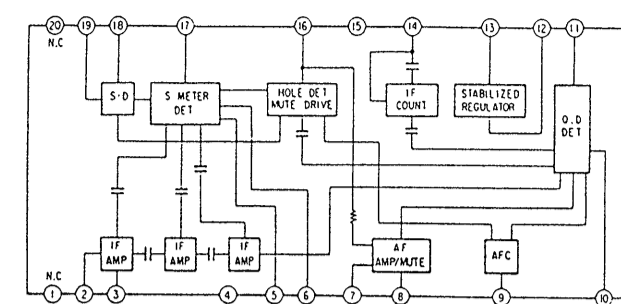
• IC BLOCK DIAGRAMS



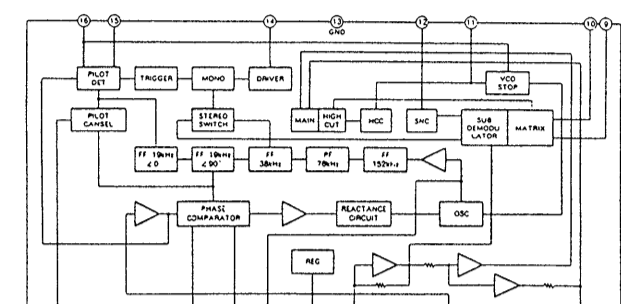
- Note:**
- All capacitors are in μF unless otherwise noted. pF : μF 50V or less are not indicated except for electrolytics and tantalums.
 - All resistors are in Ω and $\text{k}\Omega$ or less unless otherwise specified.
 - Δ : internal component.
 - B+ : B+ line.
 - : adjustment for repair.
 - Power voltage is dc 14.4V and fed with regulated dc power supply from ACC and BACK-UP cords.
 - Voltage and waveforms are dc with respect to ground under no-signal (detuned) conditions.
 - no mark : FM
 - () : AM
 - < > : TAPE
 - Voltagcs are taken with a VOM. (Input impedance 10M Ω) Voltage variations may be noted due to normal production tolerances.
 - Waveforms are taken with an oscilloscope. Voltage variations may be noted due to normal production tolerances.
 - Circled numbers refer to waveforms.
 - Signal path.
 - ⇒ : FM
 - ⊃ : PB

• IC BLOCK DIAGRAMS

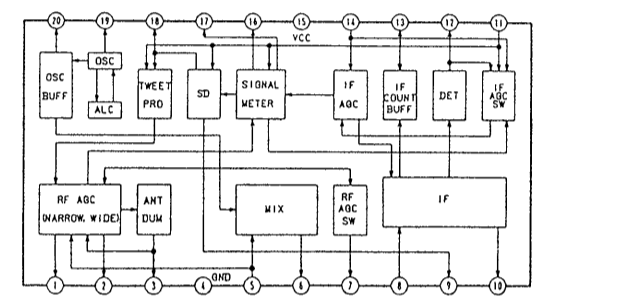
IC1 LA1145MF2



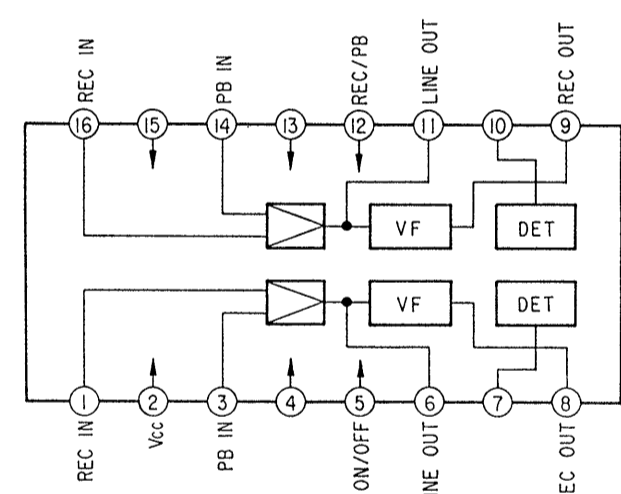
IC2 LA3430M



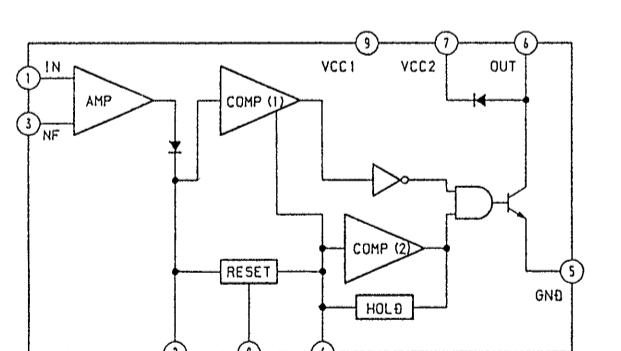
IC51 LA1137NM



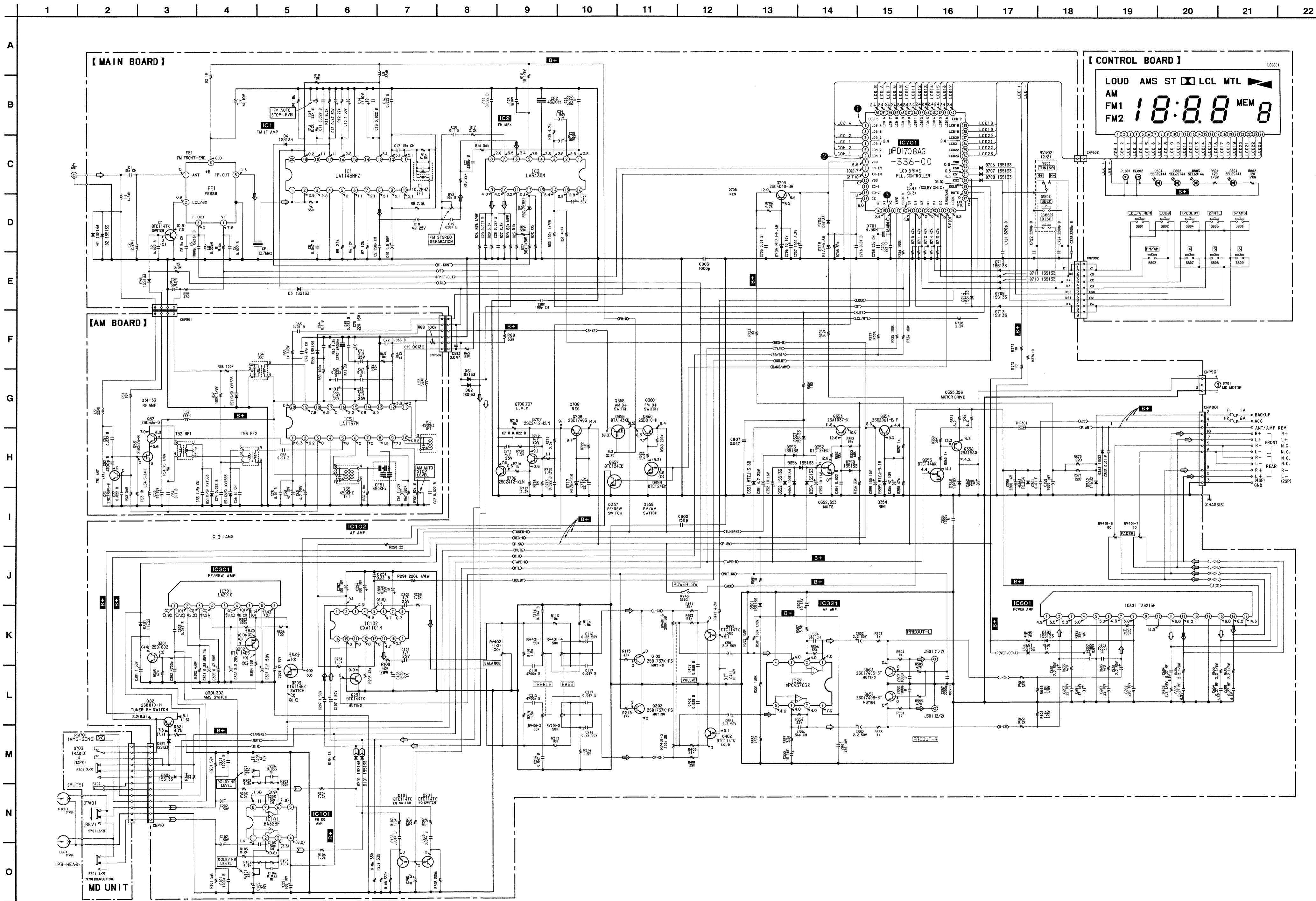
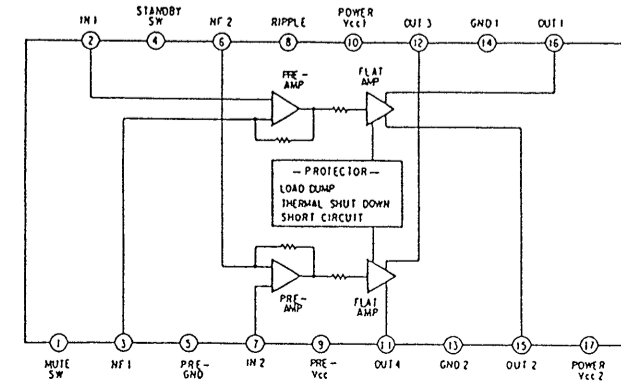
IC102 CXA1101M



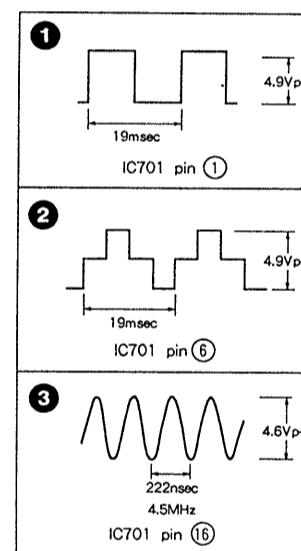
IC301 LA2010



IC601 TA8215H

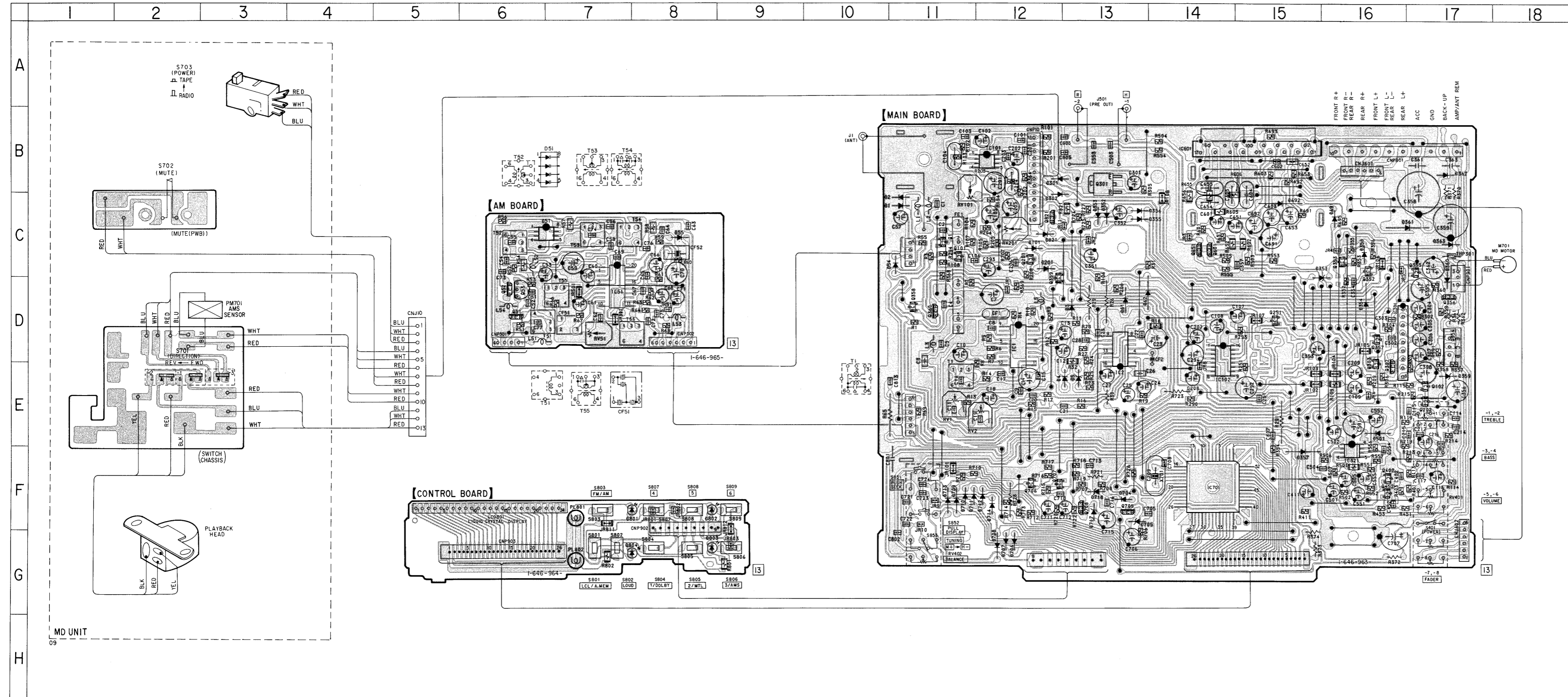


• Waveforms



- Note:**
- All capacitors are in μF unless otherwise noted. pF : $\mu\mu F$ 50WV or less are not indicated except for electrolytics and tantalums.
 - All resistors are in Ω and $\frac{1}{2}W$ or less unless otherwise specified.
 - Δ : internal component.
 - \square : B+ line.
 - \square : adjustment for repair.
 - Power voltage is dc 14.4V and fed with regulated dc power supply from ACC and BACK-UP cords.
 - Voltage and waveforms are dc with respect to ground under no-signal (detuned) conditions.
 - no mark: FM
 - (): AM
 - <): TAPE
 - Voltages are taken with a VOM. (Input impedance 10M Ω) Voltage variations may be noted due to normal production tolerances.
 - Waveforms are taken with an oscilloscope. Voltage variations may be noted due to normal production tolerances.
 - Circled numbers refer to waveforms.
 - Signal path.
 - \Rightarrow : FM
 - \Rightarrow : PB

PRINTED WIRING BOARDS (XR-2900 model)



• Semiconductor Location

Ref. No.	Location	Ref. No.	Location
D1	C-10	D803	G-8
D2	C-10	D804	G-7
D3	D-13	D821	C-12
D4	E-12		
D5	E-13	IC1	D-12
D51	C-6	IC2	E-13
D54	C-11	IC51	D-7
D55	C-8	IC101	B-12
D61	D-13	IC102	E-14
D62	D-13	IC301	D-16
D101	C-12	IC321	F-16
D201	C-12	IC601	B-14
D301	B-12	IC701	F-14
D302	C-12		
D351	C-16	Q1	C-11
D352	C-13	Q51	D-6
D353	C-13	Q52	D-6
D354	D-16	Q53	D-6
D355	C-14	Q101	C-11
D356	C-14	Q102	E-17
D357	F-15	Q201	C-12
D358	C-16	Q202	E-17
D359	E-17	Q251	D-15
D360	C-17	Q301	B-13
D361	C-17	Q302	E-16
D362	B-17	Q303	E-16
D363	C-17	Q352	D-16
D501	E-16	Q353	C-16
D691	C-16	Q354	D-17
D692	C-15	Q355	C-17
D704	F-13	Q356	D-17
D705	F-13	Q357	D-16
D706	G-12	Q358	D-11
D707	G-12	Q359	D-12
D708	G-12	Q360	D-11
D709	F-11	Q402	F-16
D710	F-11	Q452	F-16
D711	F-12	Q601	C-14
D712	F-12	Q651	C-14
D713	F-11	Q705	F-13
D714	F-12	Q706	F-12
D717	F-13	Q707	F-13
D718	F-13	Q708	F-13
D801	F-7	Q821	C-12
D802	F-8		

Note:
 • ○ : parts extracted from the component side.
 • ◐ : Pattern from the side which enable seeing.