

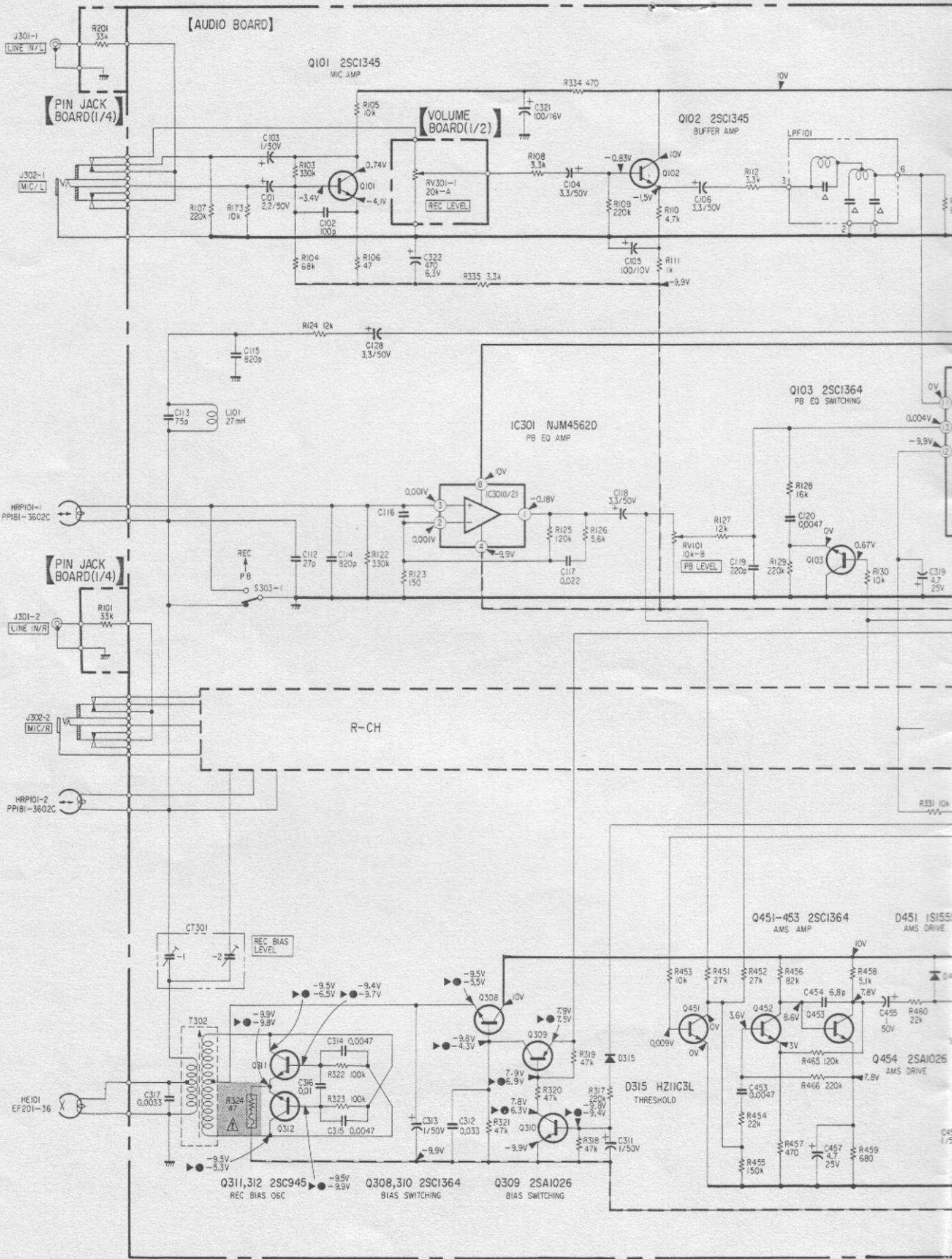
1  
2  
3  
4  
5

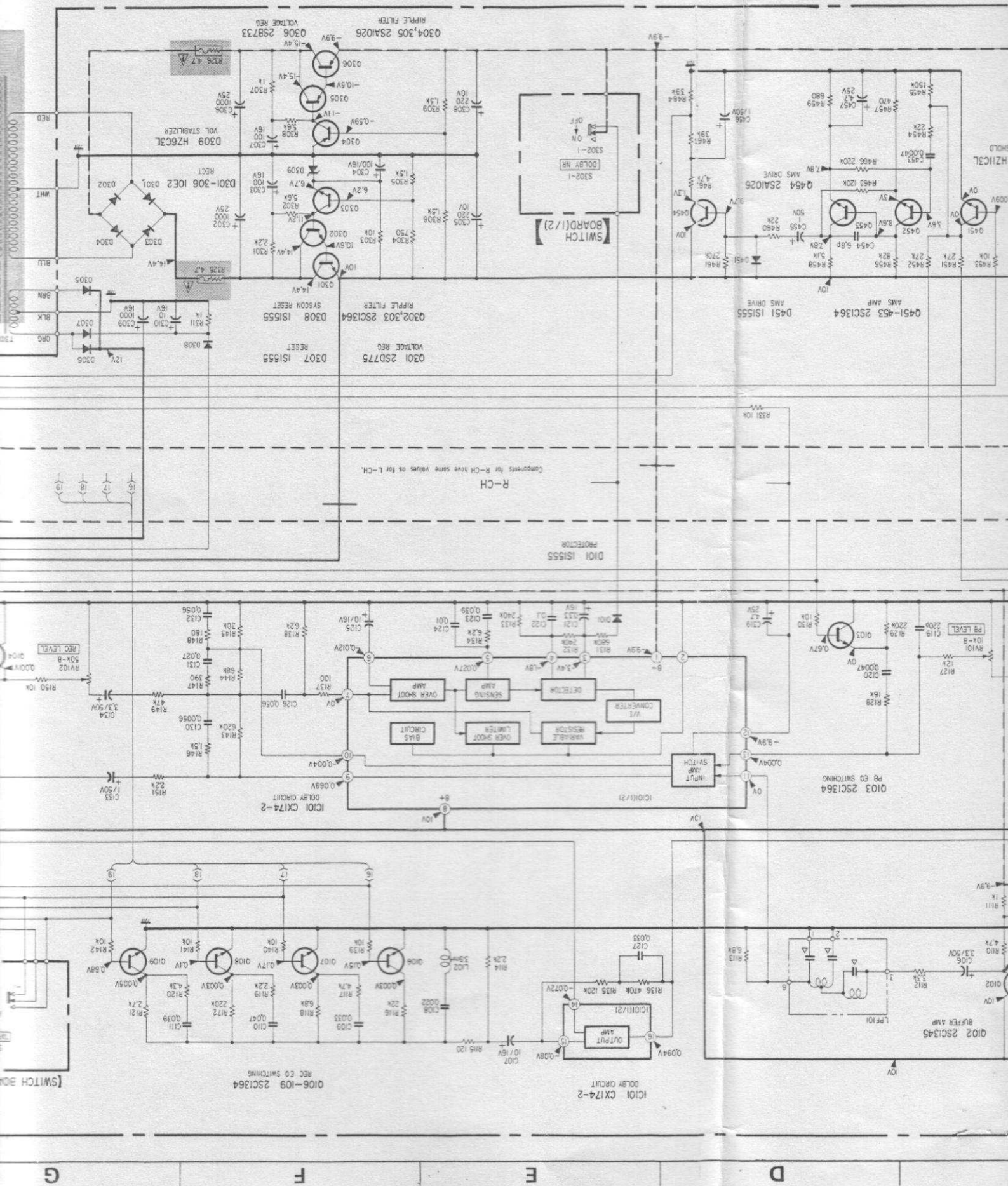
A

B

C

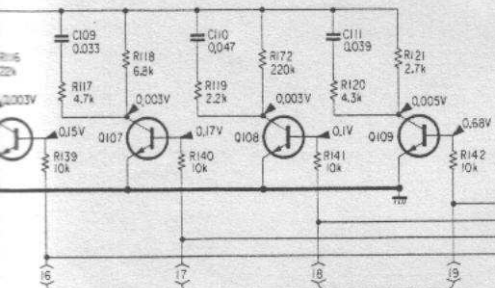
D





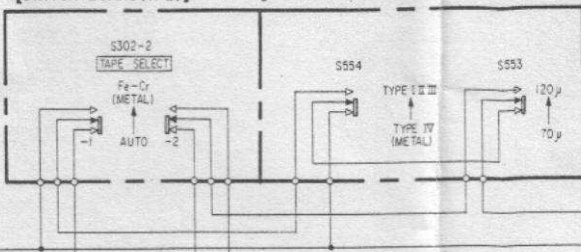


Q106-109 2SC1364  
REC EQ SWITCHING

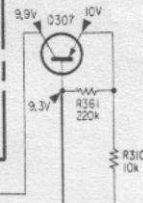


[SWITCH BOARD(1/2)]

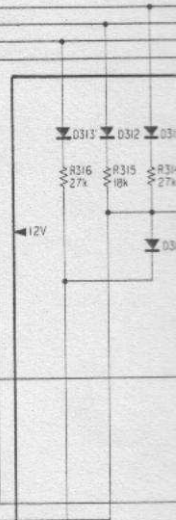
[MECHANISM CONTROL BOARD(1/2)]



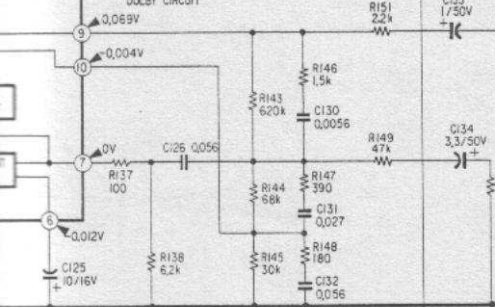
Q307 2SA1026  
TAPE TYPE IND



D310-314 IS1555  
PROTECTOR

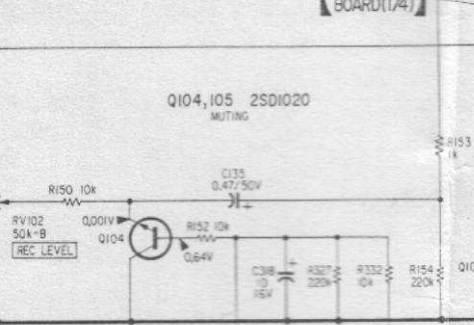


IC101 CX174-2  
DOLBY CIRCUIT

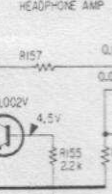


[PIN JACK BOARD(1/4)]

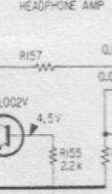
Q104,105 2SD1020  
MUTING



J301-3  
LINE OUT



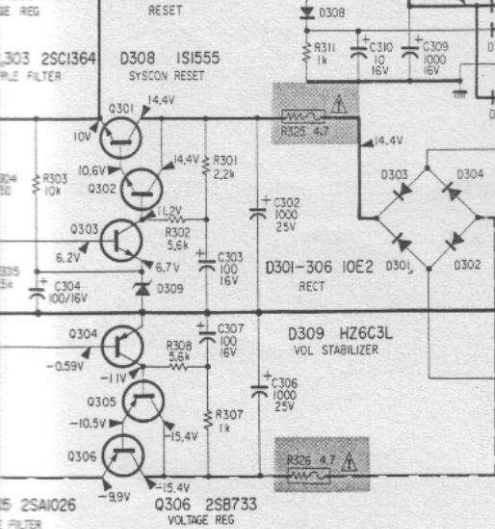
IC302 M5218L  
HEADPHONE AMP



L-CH.



2SD775  
REG

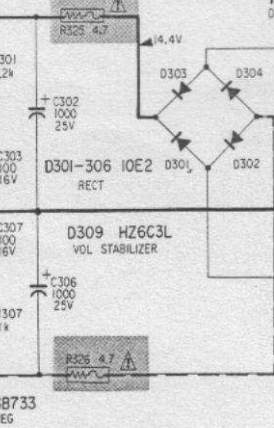


D307 IS1555  
RESET

D308 IS1555  
SYSCON RESET

D301-306 IOE2

D309 HZ6C3L  
VOL STABILIZER



2SA1026  
FILTER

Q306 2SB733  
VOLTAGE REG

