

TC-K390

SERVICE MANUAL

AEP Model
UK Model



- Dolby noise reduction and HX Pro headroom extension manufactured under license from Dolby Laboratories Licensing Corporation. HX Pro originated by Bang & Olufsen.

"DOLBY", the double-D symbol $\square\square$ and "HX PRO" are trademarks of Dolby Laboratories Licensing Corporation.

SPECIFICATIONS

Recording system 4-track 2-channel stereo
Fast winding time Approx. 90 sec. (with Sony C-60 cassette)
Bias AC bias
Heads Erasing head $\times 1$ (F&F head)
Play/Recording head $\times 1$ (SD head)
Motors Capstan motor $\times 1$ (DC servo motor)
Reel motor $\times 1$ (DC motor) -

Signal-to-noise ratio (at peak level)

Cassette (Dolby NR OFF)	Type IV (Sony Metal-S/Select)	Type II (Sony UX-S)	Type I (Sony HF-S)
	58 dB	57 dB	55 dB

Measured at peak level weighted without NR. The S/N is improved by about 15 dB at 500 Hz and by about 20 dB about 1 kHz with Dolby-C NR on, and by 5 dB at 1 kHz and by 10 dB about 5 kHz with Dolby-B NR on.

Harmonic distortion 0.4% (with Sony TYPE I, 160 nWb/m,
315 Hz, 3rd H.D.)
1.8% (with Sony TYPE IV, 250 nWb/m,
315 Hz, 3rd H.D.)

Frequency response (DOLBY NR OFF)

Type IV cassette (Sony Metal-S/Select)	30 - 15,000 Hz (± 3 dB, IEC) 30 - 13,000 Hz [± 3 dB (-4 dB recording)]
Type II cassette (Sony UX-S)	30 - 15,000 Hz (± 3 dB, IEC)
Type I cassette (Sony HF-S)	30 - 14,000 Hz (± 3 dB, IEC)

Wow and flutter $\pm 0.13\%$ W.Peak (IEC)
0.07% W.RMS (NAB)
 $\pm 0.18\%$ W.Peak (DIN)

Inputs

Line inputs (phono jacks)	Sensitivity	0.16 V
	Input impedance	47 k ohms

Model Name Using Similar Mechanism	TC-K370
Tape Transport Mechanism Type	TCM-190VB12CS

Outputs

Line outputs (phono jacks)	Rated output level	0.5 V at a load impedance of 47 k ohms
	Load impedance	Over 10 k ohms
Headphones (stereo phono jack)	Output level	1 mW at a load impedance of 32 ohms

General

Power requirements

AEP Model:
220 - 230 V AC, (or 240 V AC adjustable by
Sony personnel), 50/60 Hz

UK Model:
240 V AC (or 220 V AC adjustable by Sony
personnel), 50/60 Hz

Power consumption

21 W

Dimensions

Approx. 430 \times 123 \times 300 mm (w/h/d)
(17 \times 4 $\frac{7}{8}$ \times 11 $\frac{1}{8}$ inches)

including projecting parts and controls
Approx. 3.8 kg (8 lbs 6 oz)

Weight

Supplied accessories

Audio connecting cords (2)

Design and specifications are subject to change without notice.

Note

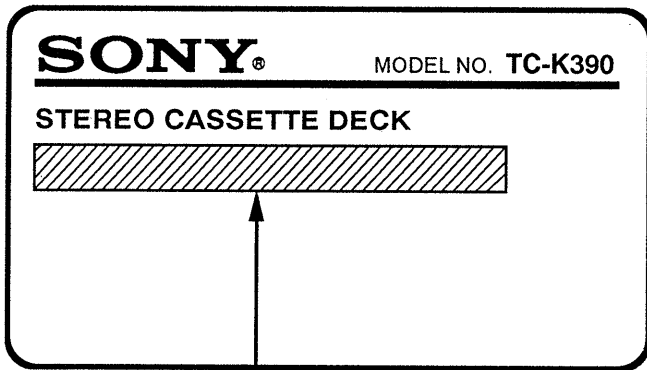
This appliance conforms with EEC Directive 87/308/EEC regarding
interference suppression.

STEREO CASSETTE DECK
SONY[®]

TABLE OF CONTENTS



<u>Section</u>	<u>Title</u>	<u>Page</u>	<u>Section</u>	<u>Title</u>	<u>Page</u>
	Specifications	1	6. DIAGRAMS		
1. GENERAL			6-1. Circuit Boards Location.....		14
Identifying the Parts		3	6-2. Printed Wiring Boards		15
Recording		4	6-3. Schematic Diagram (SYSTEM CONTROL SECTION).....		19
2. DISASSEMBLY			6-4. Schematic Diagram (AUDIO SECTION)		24
2-1. Front Panel		5	7. EXPLODED VIEWS		
2-2. Mechanism Deck		5	7-1. Chassis Section		27
2-3. Head		6	7-2. Front Panel Section		28
2-4. Fitting Base Block		6	7-3. Mechanism Section1.....		29
2-5. Motor.....		6	7-4. Mechanism Section2.....		30
3. BLOCK DIAGRAM		7	8. ELECTRICAL PARTS LIST		31
4. EXPLANATION OF IC TERMINALS		9			
5. ADJUSTMENTS					
5-1. Mechanical Adjutments		11			
5-2. Electrical Adjustments		11			

MODEL IDENTIFICATION
(Specification Label)



AEP model : AC 220-230V~50 / 60Hz 21W
UK model : AC 240V~50 / 60Hz 21W

SAFETY-RELATED COMPONENT WARNING!!

COMPONENTS IDENTIFIED BY MARK  OR DOTTED LINE WITH MARK  ON THE SCHEMATIC DIAGRAMS AND IN THE PARTS LIST ARE CRITICAL TO SAFE OPERATION. REPLACE THESE COMPONENTS WITH SONY PARTS WHOSE PART NUMBERS APPEAR AS SHOWN IN THIS MANUAL OR IN SUPPLEMENTS PUBLISHED BY SONY.

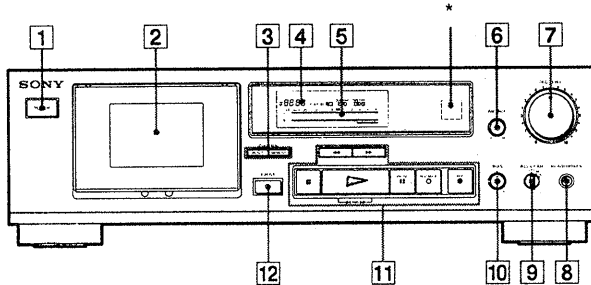
SECTION 1 GENERAL

This section is extracted from instruction manual.

Identifying the Parts

Front Panel



For details, refer to the page number indicated in parenthesis .

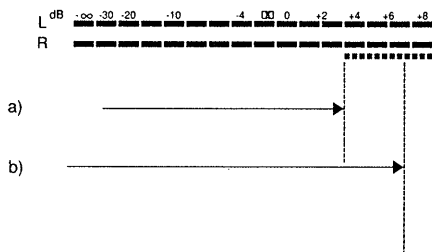
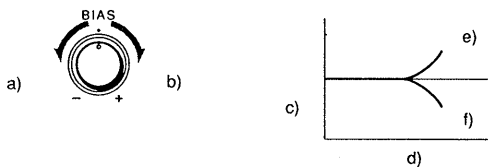


- 1 POWER switch
- 2 Cassette holder
- 3 Counter buttons
 - RESET button
 - MEMORY button
- 4 DIGITAL COUNTER
- 5 PEAK LEVEL METER
- 6 BALANCE control
- 7 REC (recording) LEVEL control
- 8 HEADPHONES jack (stereo phone jack)
- 9 DOLBY NR (noise reduction) switch
- 10 BIAS control
- 11 Tape operation buttons
 - ◀◀ (leftward fast winding) button
 - ▶▶ (rightward fast winding) button
 - (stop) button
 - ▶ (forward play) button
 - ▮ PAUSE button
 - REC MUTE (record muting) button
 - REC (recording) button
- 12 ▲ (eject) button

* Remote control sensor

You can remotely control this cassette deck with:

- A remote commander that came with a Sony amplifier or receiver if it has the  mark and cassette deck control capability.
- An optional Sony remote commander with the  mark and cassette deck control capability.

A**B**

Recording

Adjusting the Recording Level

The optimum recording level, which differs according to the tape type, is indicated on the PEAK LEVEL METER for each tape type. Adjust the REC LEVEL control as high as possible without exceeding the recommended range for the tape type being used.

PEAK LEVEL METER recording by tape type

Fig. **A** shows the recommended maximum PEAK LEVEL METER readings.

- a) for Type I (normal) or Type II (CrO₂) tape
- b) for Type IV (metal) tape

Tips on recording level adjustment

- If the recording level setting is too high, the recording will be distorted; if it is too low, the tape will produce a hissing sound. Therefore, the recording level should be set as high as possible without causing distortion.
- If the program source to be recorded has many high frequency signals, set the level to a relatively low position.

Adjusting the Bias According to the Tape Type

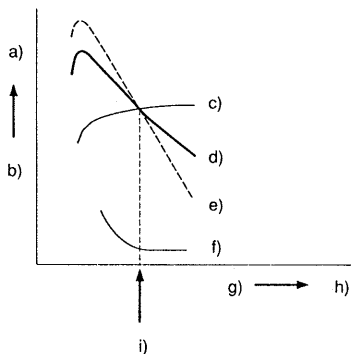
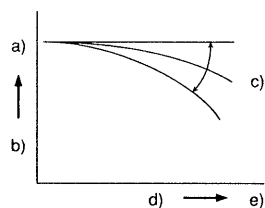
To obtain the optimum frequency response, use the BIAS control to adjust the bias current according to the tape type being used. Reducing the bias boosts high frequencies but increases distortion. Increasing the bias decreases distortion but suppresses high frequencies. Balance the bias according to your listening preference.

Fig. **B** shows the BIAS control and a high-frequency response balance chart.

- a) Bias reduced (high frequencies boosted)
- b) Bias increased (high frequencies suppressed)
- c) Output (level in dB)
- d) Frequency in Hz
- e) Bias reduced (-)
- f) Bias increased (+)

Note

In the case of Type IV cassette tapes, the frequency change for any given bias setting will be minimal.

A**B**

What is the Dolby HX PRO System?

The Dolby HX PRO system provides improved linearity in high-range frequency response during recording. Tapes recorded with this system retain the same high quality even when played back on other tape decks.

As shown in Fig. **A**, characteristics such as output level and distortion differ widely according to the bias (high-frequency) current.

Fig. **A**

- a) High
- b) Distortion output
- c) 315 Hz
- d) 6.3 kHz
- e) 10 kHz
- f) 315 Hz distortion
- g) Bias current
- h) High
- i) Established bias current

In conventional systems (see Fig. **B**), the bias current is susceptible to variations in certain recording signals which may cause fluctuations in frequency response, distortion, or other unwanted characteristics.

Fig. **B**

- a) High
- b) Output
- c) Fluctuation
- d) Frequency
- e) High

With the Dolby HX PRO system, the effective bias amount added to the bias current is controlled in millisecond units to greatly reduce distortion, improving linearity in high-range response and ensuring high-intensity recording with minimal distortion and noise.

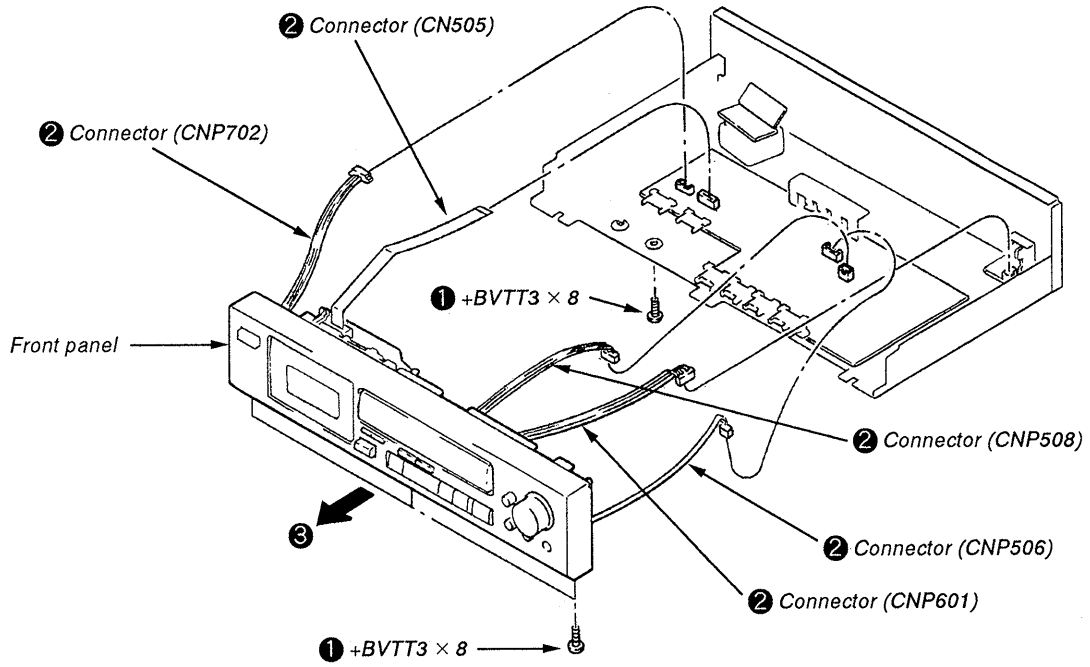
SECTION 2 DISASSEMBLY

Note : Follow the disassembly procedure in the numerical order given.

CASE

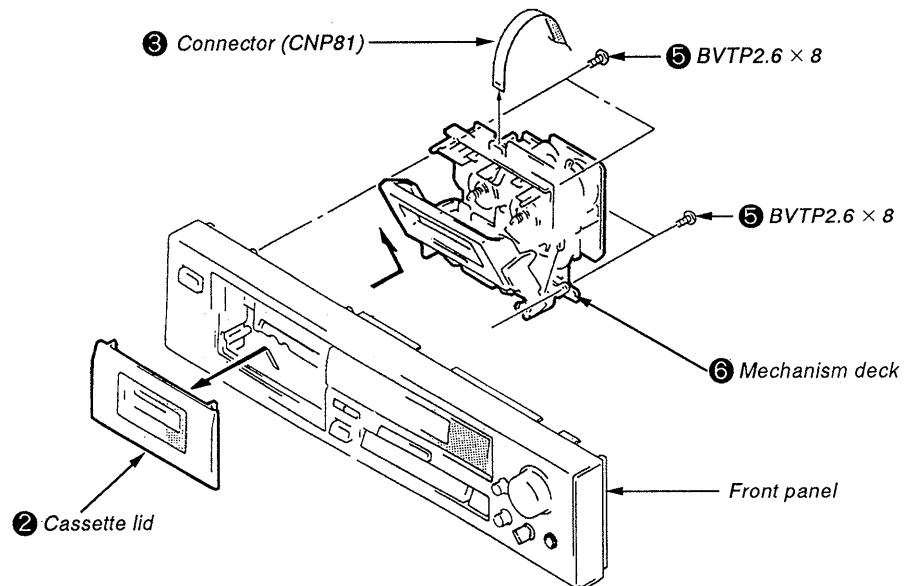
Unscrew the four case attachment screws M3 × 8 and remove the case.

2-1. FRONT PANEL

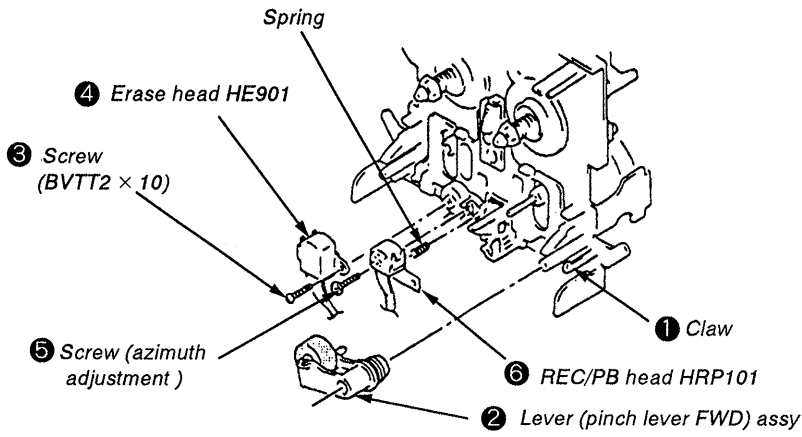


2-2 MECHANISM DECK

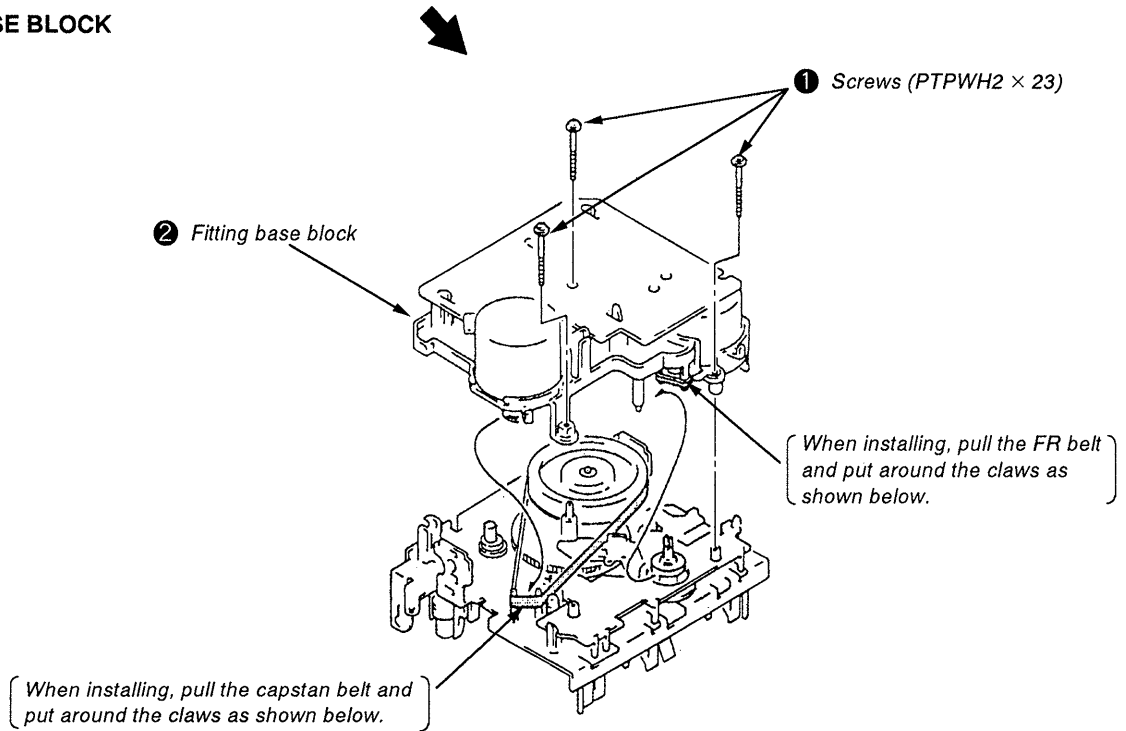
① Press the eject button.



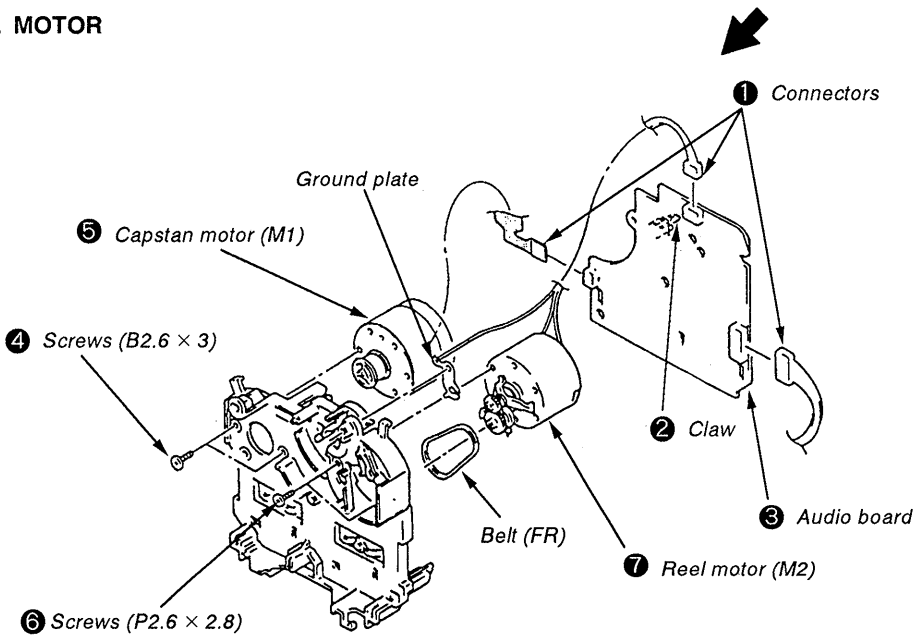
2-3. HEAD



2-4. FITTING BASE BLOCK

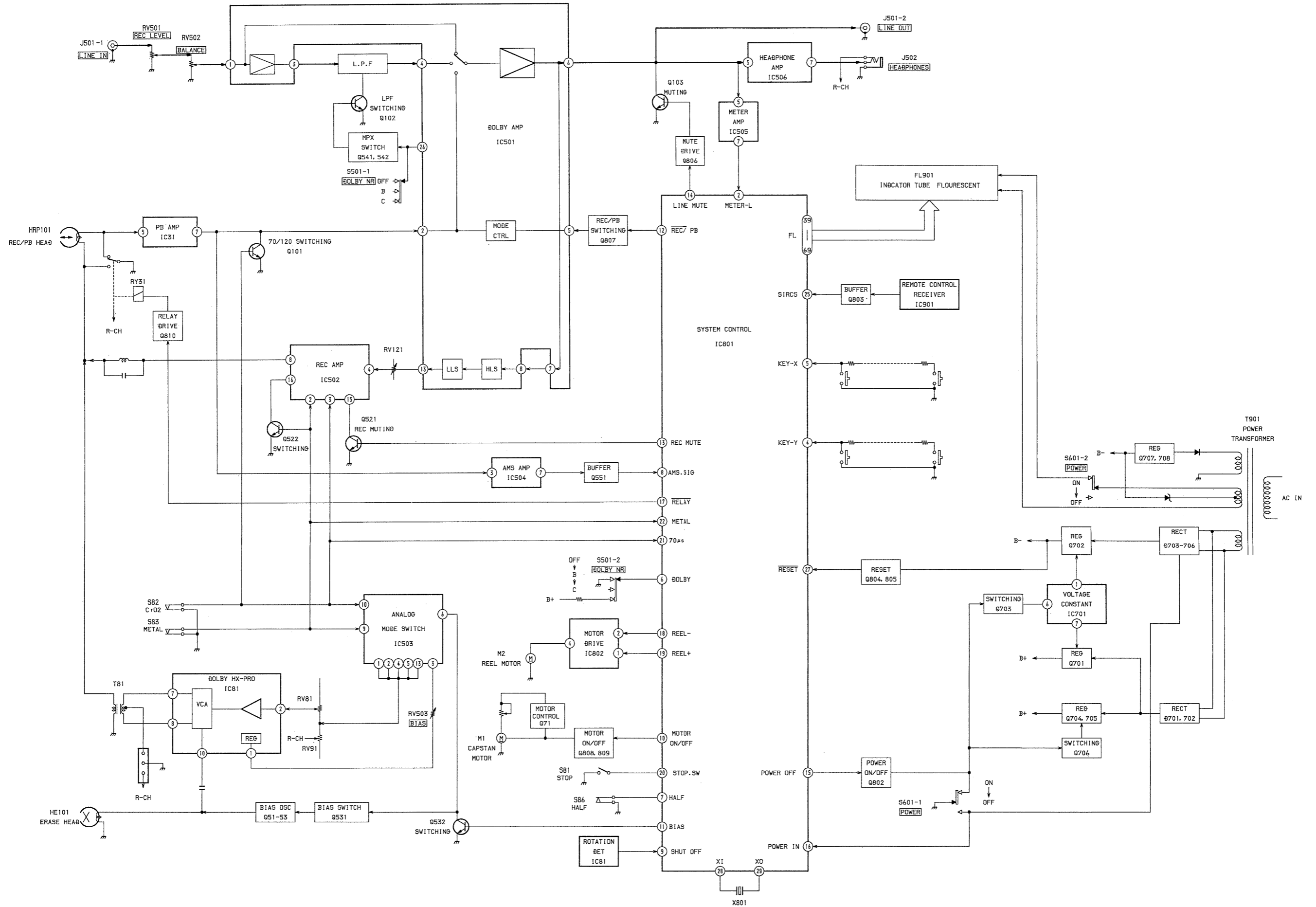


2-5. MOTOR



SECTION 3 BLOCK DIAGRAM

3-1. BLOCK DIAGRAM



SECTION 4 EXPLANATION OF IC TERMINALS

IC801 M50940-395SP

Pin. No.	Terminal name	I/O	Terminal explanation																																		
1	VREF	I	Reference voltage 5V																																		
2	METER LCH	I	Meter level Lch																																		
3	METER RCH	I	Meter level Rch																																		
4	KEY Y	I	0V = stop, 0.8V = rew, 1.7V = ff, 2.6V = rec, 3.4V = ssw↔, 4.2V = ↷, 5V = ⇐																																		
5	KEY X	I	0V = pause, 0.8V = fwd, 1.7V = rev, 2.6V = recm, 3.4V = reset, 4.2V = memory																																		
6	DOLBY	I	OFF : 0 - 2.2V, B : 2.2 - 4.8V, C : 4.8V -																																		
7	HALF	I	<table border="1" style="margin-left: auto; margin-right: auto;"> <thead> <tr> <th colspan="3">Switch status</th> <th>ON...Available OFF...Not Available</th> <th rowspan="2">Input Voltage</th> </tr> <tr> <th>REC A</th> <th>REC B</th> <th>HALF</th> <th></th> </tr> </thead> <tbody> <tr> <td>OFF</td> <td>OFF</td> <td>OFF</td> <td>OFF</td> <td>5V</td> </tr> <tr> <td>ON</td> <td>OFF</td> <td>ON</td> <td>ON</td> <td>3.9V</td> </tr> <tr> <td>OFF</td> <td>OFF</td> <td>ON</td> <td>ON</td> <td>2.8V</td> </tr> <tr> <td>ON</td> <td>ON</td> <td>ON</td> <td>ON</td> <td>2V</td> </tr> <tr> <td>OFF</td> <td>ON</td> <td>ON</td> <td>ON</td> <td>1V</td> </tr> </tbody> </table>	Switch status			ON...Available OFF...Not Available	Input Voltage	REC A	REC B	HALF		OFF	OFF	OFF	OFF	5V	ON	OFF	ON	ON	3.9V	OFF	OFF	ON	ON	2.8V	ON	ON	ON	ON	2V	OFF	ON	ON	ON	1V
Switch status			ON...Available OFF...Not Available	Input Voltage																																	
REC A	REC B	HALF																																			
OFF	OFF	OFF	OFF	5V																																	
ON	OFF	ON	ON	3.9V																																	
OFF	OFF	ON	ON	2.8V																																	
ON	ON	ON	ON	2V																																	
OFF	ON	ON	ON	1V																																	
8	AMS. SIG	I	Ams signal input 2.5V < MUSIC, 2.5V > not MUSIC																																		
9	SHUT OFF	I	Supply pulse																																		
10	MOTOR ON/OFF	O	Capstan motor. 5V = ON, 0V = OFF																																		
11	BIAS	O	Bias osc 5V = ON																																		
12	REC/PB	O	Recording/Playback selector for Dolby IC select 0V = Record, 5V = Playback																																		
13	REC MUTE	O	Rec out mute. 5V = MUTE																																		
14	LINE MUTE	O	Line out mute. 0V = MUTE																																		
15	POWER OFF	O	0V = Power OFF, cut OFF = Power ON																																		
16	POWER IN	I	0V = Power OFF																																		
17	RELAY	O	Relay selector. 5V = Record, 0V = Playback																																		
18	REEL -	O	<table border="1" style="margin-left: auto; margin-right: auto;"> <thead> <tr> <th>trg</th> <th>ff</th> <th>play</th> <th>stop</th> </tr> </thead> <tbody> <tr> <td>0</td> <td>1</td> <td>open</td> <td>0</td> </tr> <tr> <td>1</td> <td>0</td> <td>0</td> <td>0</td> </tr> </tbody> </table> The open is high impedance.	trg	ff	play	stop	0	1	open	0	1	0	0	0																						
trg	ff	play		stop																																	
0	1	open	0																																		
1	0	0	0																																		
19	REEL +	O	Reel motor +																																		
20	STOP. SW	I	Mecha stop mode SW. 5V = stop																																		
21	70 μ S	I	Tape type 2. 5V = ON																																		
22	METAL	I	Tape type 4. 5V = ON																																		
23	NC	I	GND																																		
24	NC	I	GND																																		
25	SIRCS	I	Sircs signal in																																		
26	CNVSS	I	GND																																		
27	RESET	I	Reset. 0V = Reset																																		
28	XIN	I	System clock in																																		
29	XOUT	O	System clock out																																		
30	CXIN	I	Not used																																		
31	CXOUT	O	Not used																																		
32	VSS	I	GND																																		
33	NC	O	Not used																																		
34	VERSION	I	GND, 0V = oneway																																		
35	TEST	I	Test mode selector. 5V = normal, 0V = test mode																																		

Pin. No.	Terminal name	I/O	Terminal explanation
36	NC	I	GND
37	NC	I	GND
38	-21V	I	-21V
39 - 54	FL-a - p	O	FLT segment
55 - 61	FL-g5 - g1	O	FLT grid
62	NC	O	Not used
63	AVCC	I	Analog power supply in +5V
64	VCC	I	Power supply in +5V

IC502 CXA1579P

Pin. No.	Terminal name	I/O	Terminal explanation
1	SPEED	I	GND
2	METAL	I	Metal tape selector terminal "H" : METAL
3	70 μ S	I	CrO ₂ tape selector terminal "H" : CrO ₂
4	REC IN1	I	Recording equalizer amp input terminal
5	GND		GND
6	BOOST1	I	External capacitor for low-pass boost connecting terminal
7	VEE		-7.5V
8	REC OUT1	O	Recording equalizer amp output terminal
9	REC OUT2	O	Recording equalizer amp output terminal
10	VCC		+7.5V
11	BOOST2		External capacitor for low-pass boost connecting terminal
12	IREF	O	Standard current setting terminal of monolithic filter
13	REC IN2	I	Recording equalizer amp input terminal
14	REC CAL	I	Recording calibration terminal "H" : Recording level gain down
15	REC MUTE	I	Recording Mute ON/OFF selector terminal "H" : Mute OFF "L" : Mute ON
16	GP CAL	I	High-pass calibration terminal "H" : High-pass level gain down "L" : High-pass level gain up

SECTION 5 ADJUSTMENT

5-1. MECHANICAL ADJUSTMENTS

PRECAUTION

1. Clean the following parts with a denatured alcohol-moistened swab:

record/playback/erase head	pinch roller
rubber belts	capstan
idlers	
2. Demagnetize the record/playback head with a head demagnetizer. (Head demagnetizer do not approach for the erase head.)
3. Do not use a magnetized screwdriver for the adjustment.
4. After the adjustments, apply suitable locking compound to the parts adjusted.
5. The adjustments should be performed with the rated power supply voltage unless otherwise noted.

Torque Measurement

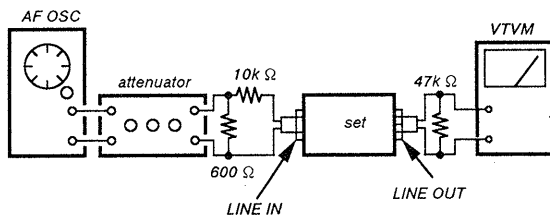
Torque	Torque	Meter reading
Forward	CQ-102C	30 to 65g•cm (0.42 to 0.9 oz•inch)
Forward back tension	CQ-102C	1 to 6g•cm (0.014 to 0.08 oz•inch)
FF/REW	CQ-201B	70 to 120g•cm (0.98 to 1.67 oz•inch)

5-2. ELECTRICAL ADJUSTMENTS

PRECAUTION

1. The adjustment should be performed in the publication. (Be sure to make playback adjustment at first.)
2. The adjustments and measurement should be performed for both L-CH and R-CH.
 - Switch position
DOLBY NR switch : OFF
 - Standard record position:
Deliver the standard input signal level to input jack and set the REC LEVEL control to obtain the standard output signal level as follows.

— Record Mode —



Standard Input Level

Input terminal	LINE IN
source impedance	10k Ω
input signal level	0.5V (- 3.8dB)

Standard Output Level

Output terminal	LINE OUT
load impedance	47k Ω
output signal level	0.5V (- 3.8dB)

Test Tape

Tape	Contents	Use
P-4-A100	10kHz, - 10dB	Azimuth Adjustment
P-4-L300	315Hz, 0dB	PB Level Adjustment
WS-48B	3kHz, 0dB	Tape Speed Adjustment

0dB=0.775V

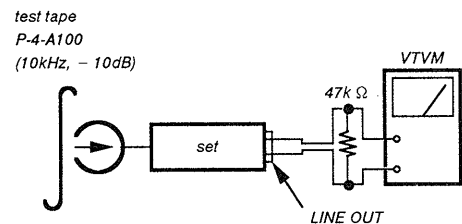
Test Mode

1. Insert a short-circuit plug into TP801 (2P) and turn ON the power switch. (Ground pin ⑤ of IC801 and turn ON the power switch.)
The memory is turned ON when the recording starts, and the counter starts counting from "0000"
When applying +5V to pin ⑤ of IC801, the FL tube will be fully lit.
2. To release the test mode, remove the short plug and turn off the power switch.
3. Remove the short plug after completion of adjustment.

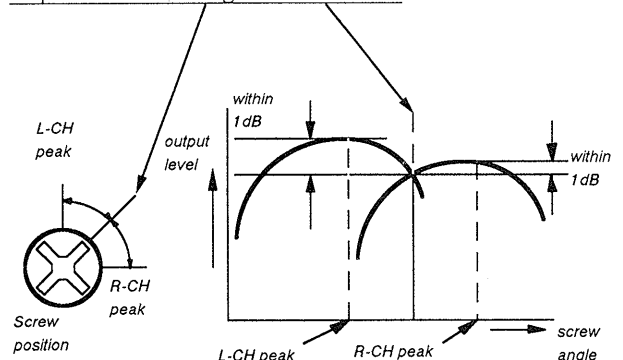
Record/Playback Head Azimuth Adjustment

Procedure :

1. Forward playback Mode

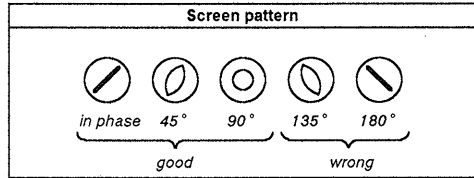
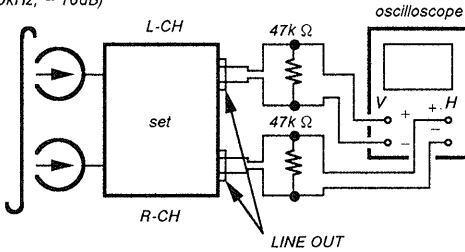


2. Turn the adjustment screw for the maximum output levels. If these levels do not match, turn the adjustment screw until both of output levels match together within 1dB.



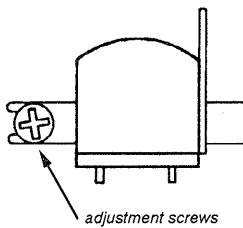
3. Playback Mode

test tape
P-4-A100
(10kHz, -10dB)



4. Change the reverse playback mode and repeat the steps 1 to 3.
5. After the adjustment, lock the adjustment screws with suitable locking compound.

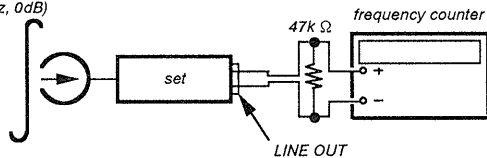
Adjustment Location : – record/playback head –



Tape Speed Adjustment

Procedure :
– Forward Playback Mode –

test tape
WS-48B
(3kHz, 0dB)



1. Set to FWD playback mode.
2. Adjust RV71 so that the frequency counter reading becomes $3,000 \pm 10\text{Hz}$.

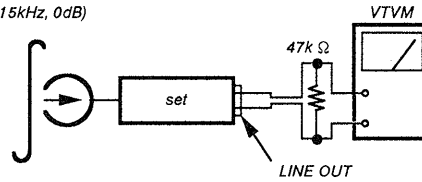
Frequency difference between the beginning and the end of the tape should be within 3%.

Adjustment Location : AUDIO board

Playback Level Adjustment

Procedure :
– Forward Playback Mode –

test tape
P-4-L300
(31.5kHz, 0dB)



Adjust RV11(L-CH) and RV21(R-CH) so the VTVM reading becomes the adjustment limits below.

Adjustment Value :

LINE OUT level : $-7.7 \pm 0.5\text{dB}$ (0.301 to 0.338V)

Level difference between channels : within 0.5dB

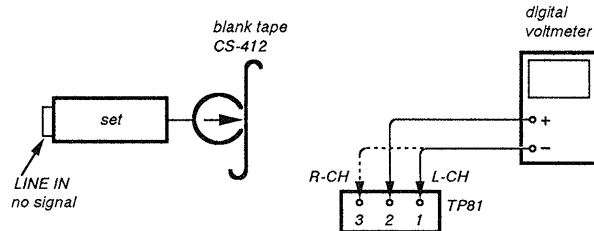
Confirm the LINE OUT level does not change in playback mode while changing the mode from playback to stop several times

Adjustment Location : AUDIO board

Bias Consumption Current Adjustment

This adjustment should be performed when replacing the head assy or the bias oscillating transformer (T81, T91).

Procedure :
() : R-CH



1. Connect the digital voltmeter to test point TP81.
2. Set RV81 (RV91) to mechanical center.
3. Set to FWD record mode.
4. Adjust T81 (T91) so that the digital voltmeter reading becomes minimum.

Adjustment Location : AUDIO board

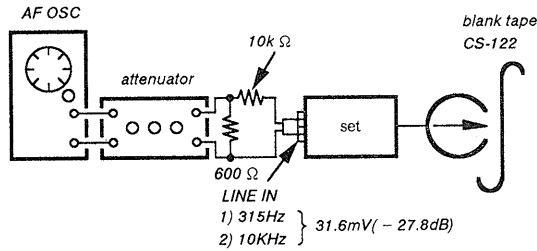
Record Bias Adjustment

Setting :

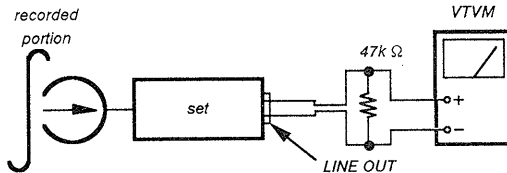
REC LEVEL control : standard record position (Refer to page 11.)

Procedure :

1. Record Mode



2. Playback Mode



Confirm that the 10kHz playback output is $0 \pm 0.5\text{dB}$ relative to the 315Hz output. If necessary, adjust RV81(L-CH), RV91(R-CH) and repeat the steps given above.

Adjustment Location : AUDIO board

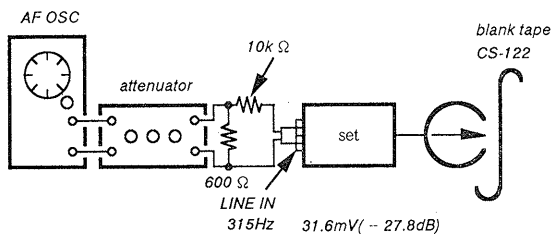
Record Level Adjustment

Setting :

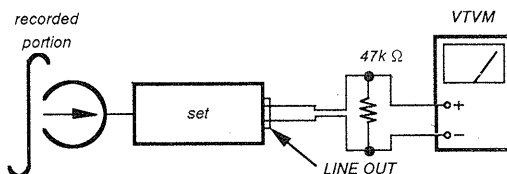
REC LEVEL control : standard record position (Refer to page 11.)

Procedure :

1. Record Mode



2. Playback Mode



Confirm playback the tape recorded become adjustment level as follows.

If necessary, adjust RV121(L-CH), RV221(R-CH) and repeat the steps 1 and 2.

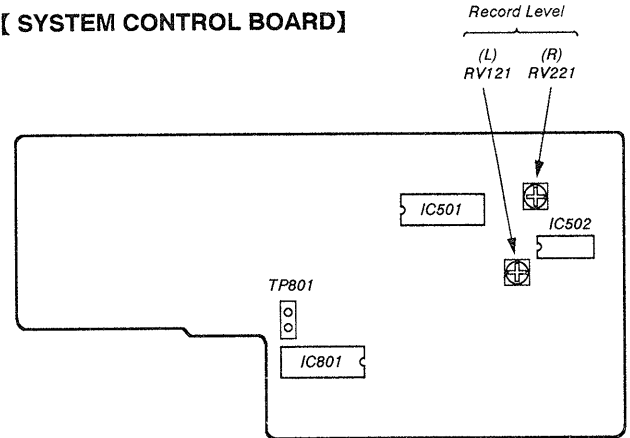
Adjustment Value :

LINE OUT level : $-26 \pm 0.5\text{dB}$ (36.7 to 41.1mV)

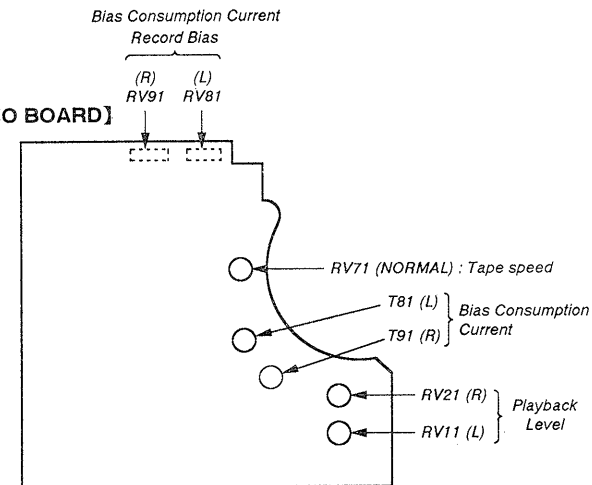
Adjustment Location : SYSTEM CONTROL

– Adjustment Parts Location Diagrams –

[SYSTEM CONTROL BOARD]

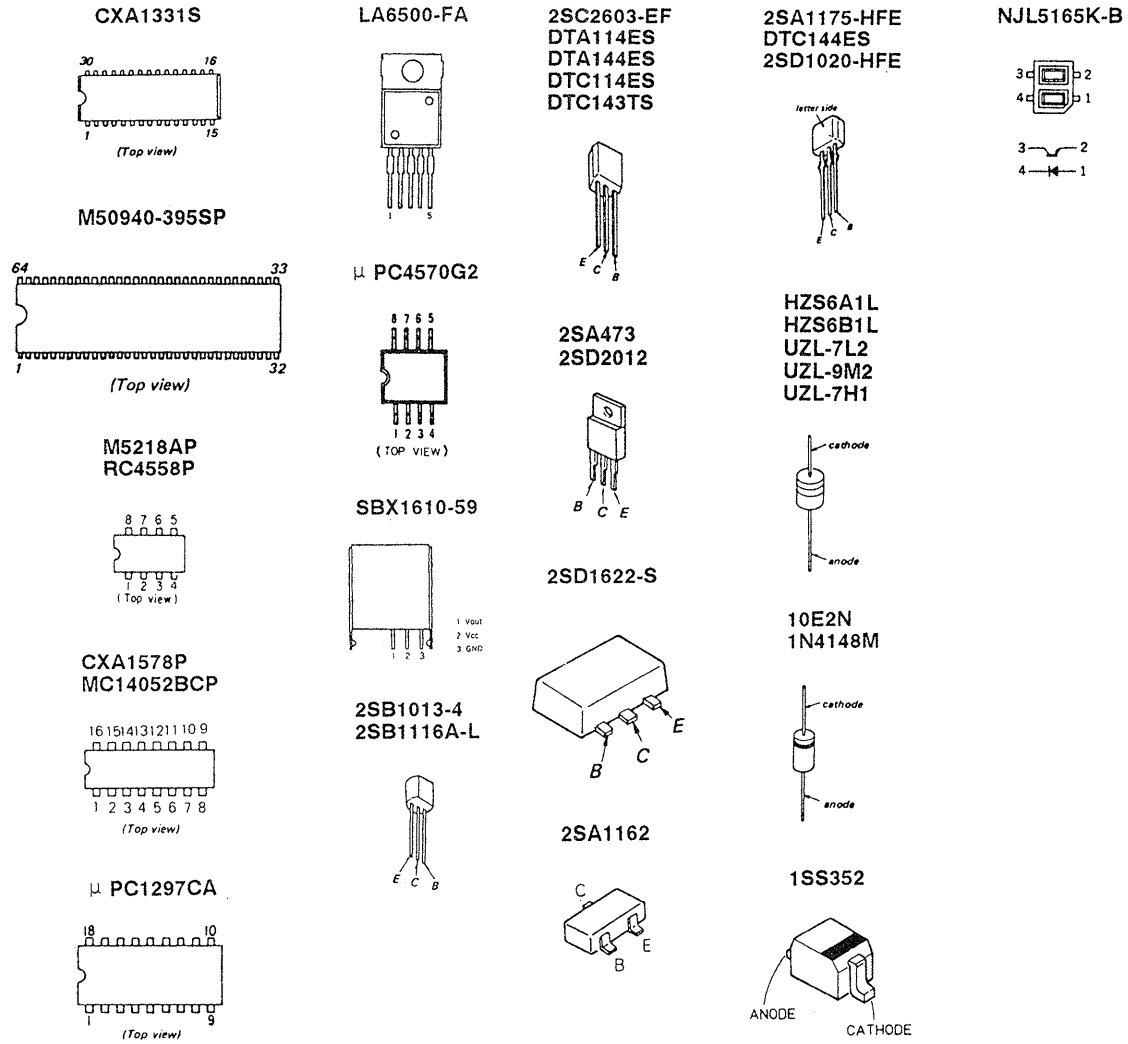


[AUDIO BOARD]

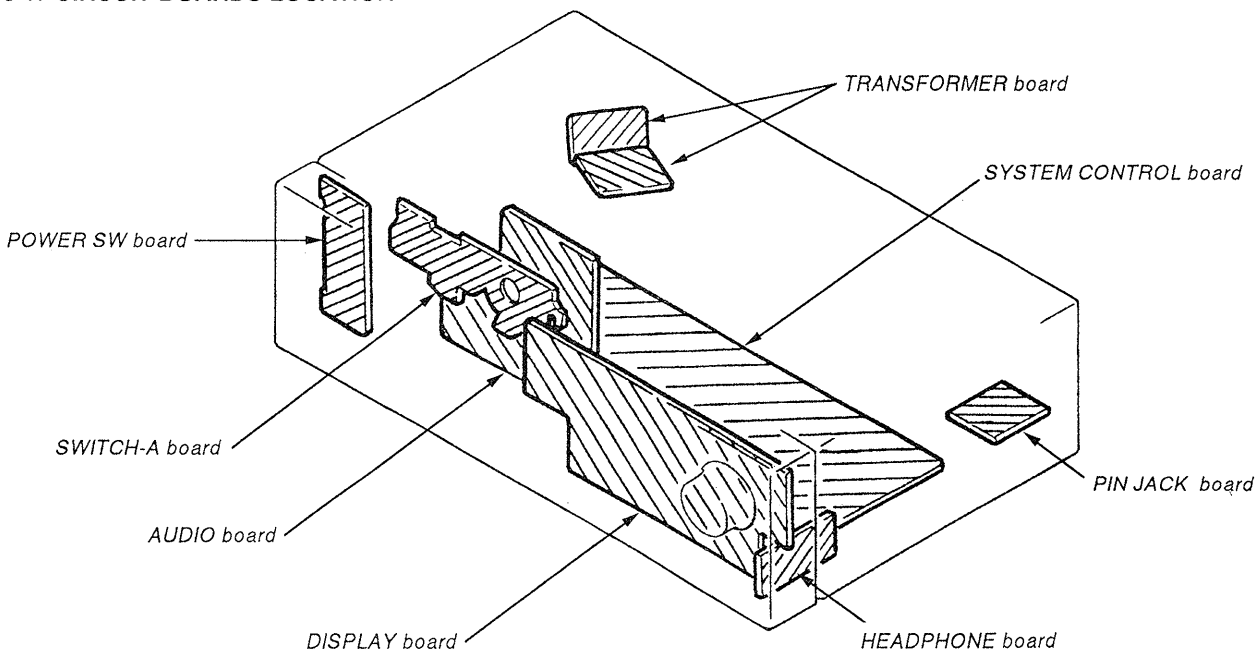


SECTION 6 DIAGRAMS

● Semiconductor Lead Layouts



6-1. CIRCUIT BOARDS LOCATION

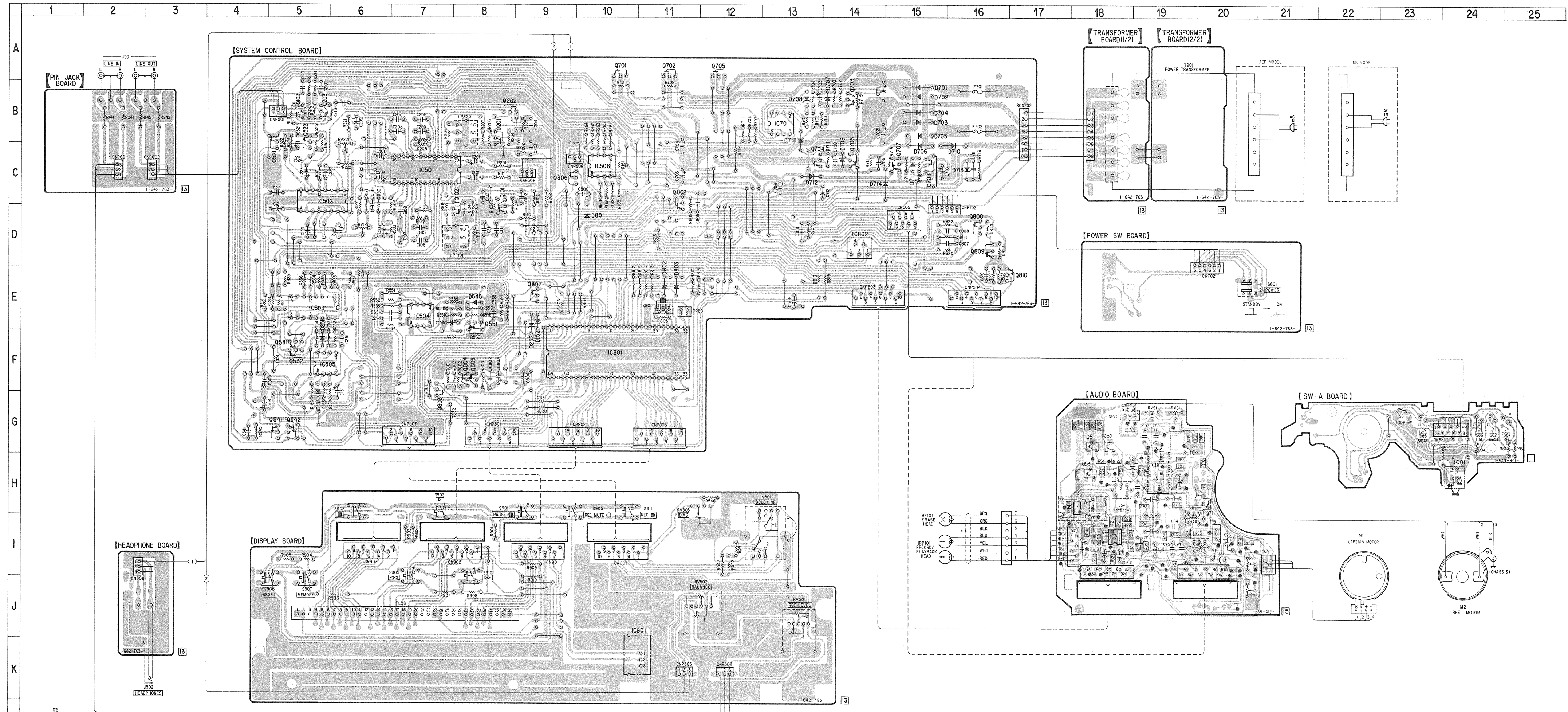


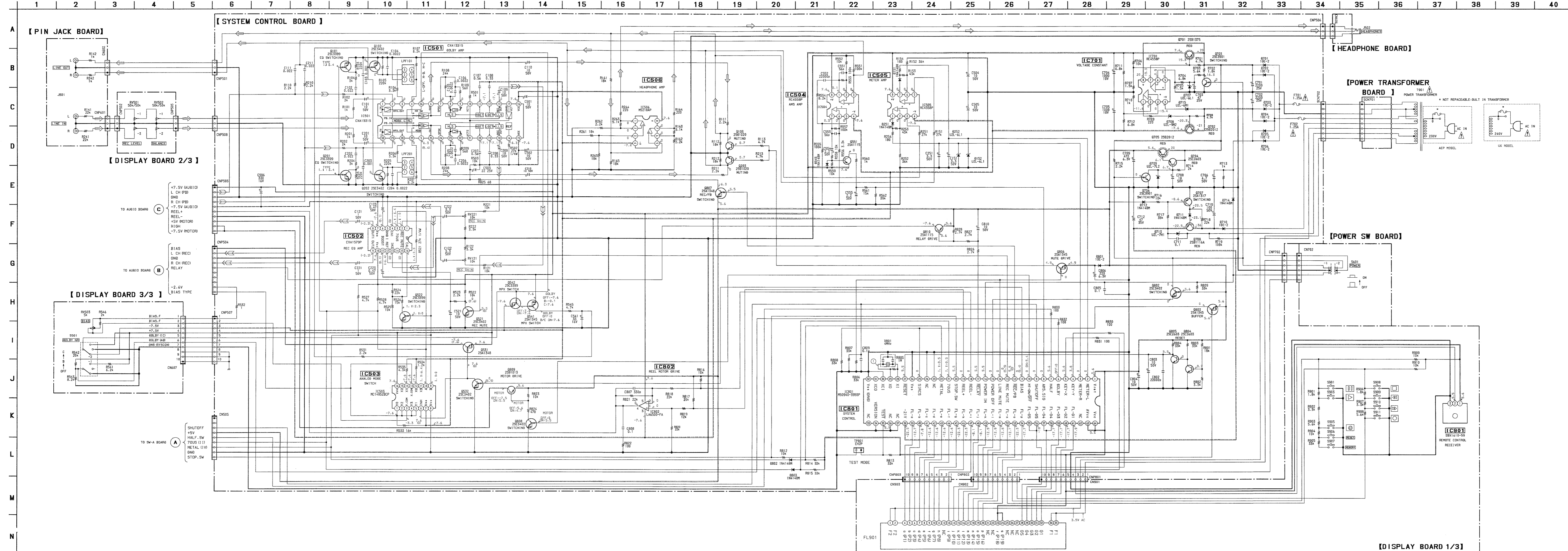
• SEMICONDUCTOR LOCATION

Ref. No.	Location	Ref. No.	Location
D31	H - 17	Q51	G - 18
D151	G - 5	Q52	G - 18
D152	E - 9	Q53	H - 18
D251	F - 5	Q71	H - 20
D252	E - 9	Q101	D - 8
D545	E - 8	Q102	D - 8
D701	B - 15	Q103	B - 5
D702	B - 15	Q201	B - 8
D703	B - 15	Q202	B - 8
D704	B - 15	Q203	B - 5
D705	B - 15	Q521	B - 5
D706	C - 15	Q522	B - 5
D707	B - 14	Q531	F - 5
D708	B - 13	Q532	F - 5
D709	C - 14	Q541	G - 5
D710	C - 16	Q542	G - 5
D711	B - 15	Q551	E - 8
D712	C - 13	Q701	A - 10
D713	C - 16	Q702	A - 11
D714	C - 14	Q703	B - 14
D715	B - 13	Q704	C - 13
D801	D - 10	Q705	A - 12
D802	E - 11	Q706	C - 14
D803	E - 11	Q707	B - 15
IC31	I - 18	Q802	C - 11
IC81	H - 19	Q803	F - 7
(AUDIO)		Q804	F - 8
IC81	H - 24	Q805	F - 8
(SW-A)		Q806	C - 9
IC501	C - 7	Q807	E - 9
IC502	C - 5	Q808	D - 16
IC503	E - 5	Q809	D - 16
IC504	E - 7	Q810	E - 16
IC505	F - 5		
IC506	C - 10		
IC701	B - 13		
IC801	F - 10		
IC802	D - 14		
IC901	K - 11		

Note:

- : parts extracted from the component side.
- : parts mounted on the conductor side.
- : Through hole.
- ▨ : Pattern on the side which is seen.
- ▩ : Pattern of the rear side.
- : Chip components extracted from the rear side.



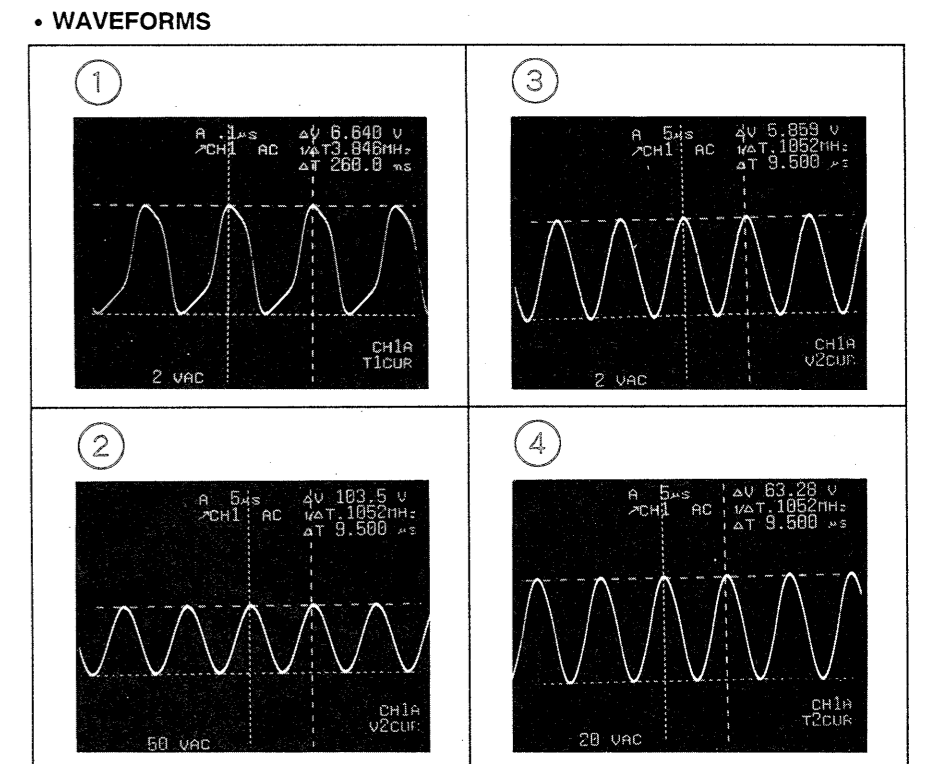


Note :

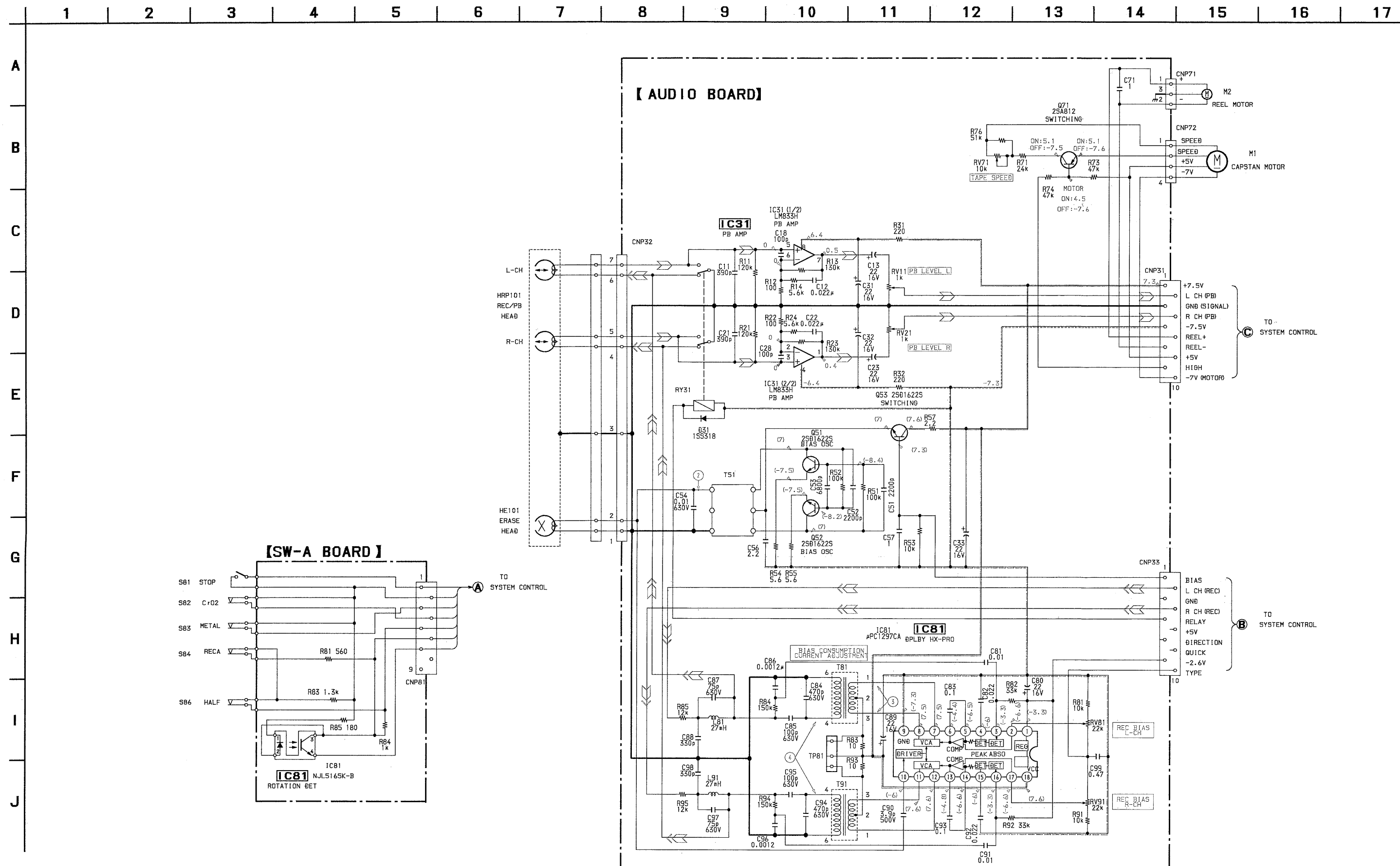
- All capacitors are in μF unless otherwise noted. pF : μF
- 50WV or less are not indicated except for electrolytics and tantalums.
- All resistors are in Ω and $1/4W$ or less unless otherwise specified.
- % : indicates tolerance.
- Δ : internal component.

Note : The components identified by mark Δ or dotted line with mark Δ are critical for safety. Replace only with part number specified.

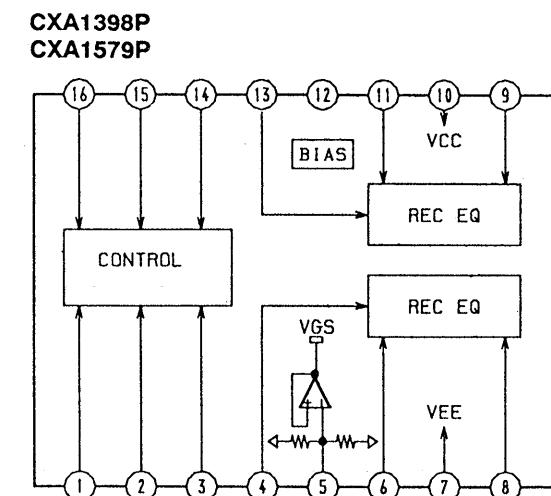
- --- : B+ Line
- --- : B - Line
- --- : adjustment for repair.
- --- : selected to yield optimum performance.
- Voltage and waveforms are dc with respect to ground under no-signal conditions.
- no mark : STOP
- () : REC
- Voltages are taken with a VOM (Input impedance $10M\Omega$). Voltage variations may be noted due to normal production tolerances.
- Signal path.
- --- : PB
- --- : REC



6-4. SCHEMATIC DIAGRAM (AUDIO SECTION) • Refer to page 23 for note.

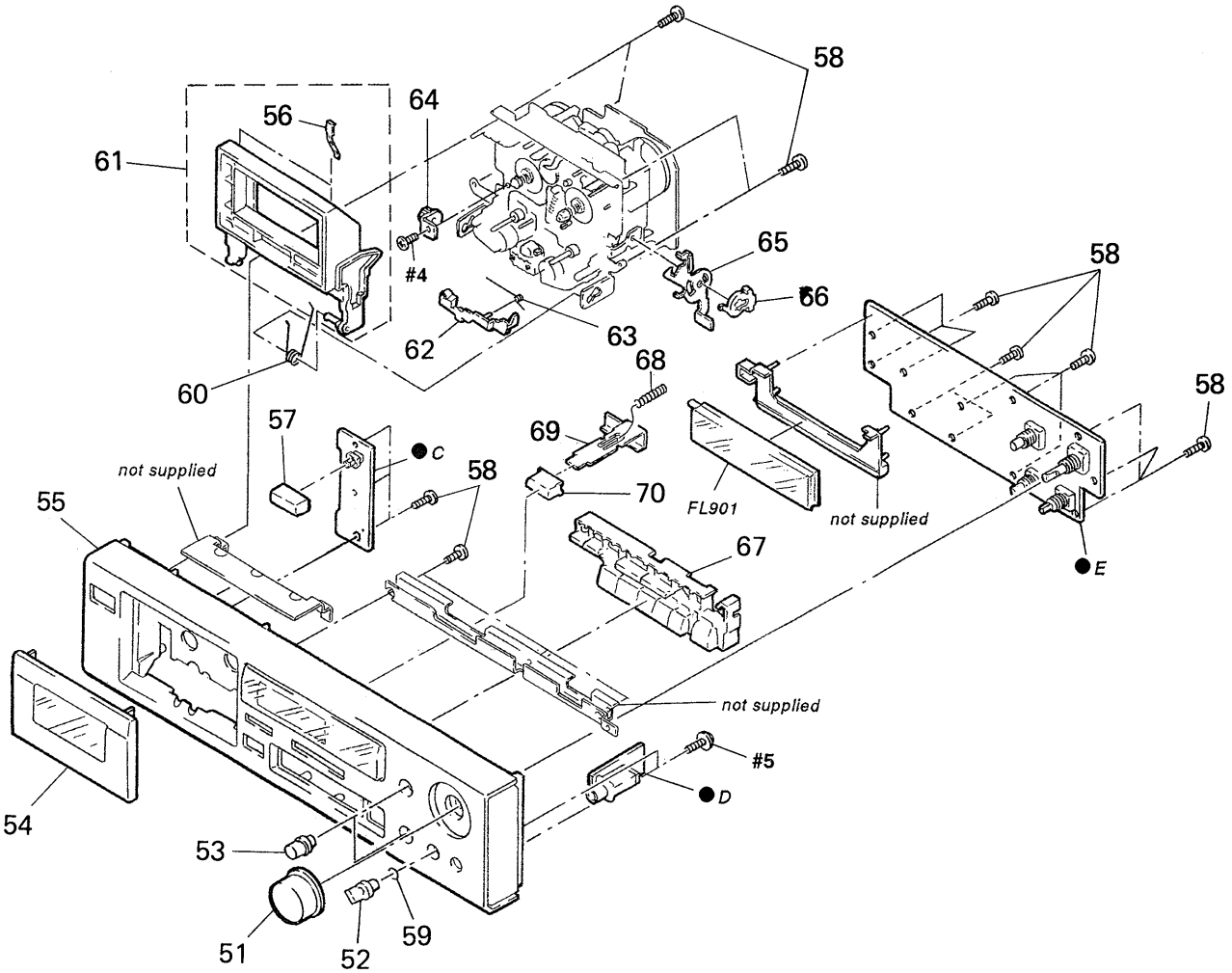


• IC BLOCK DIAGRAM



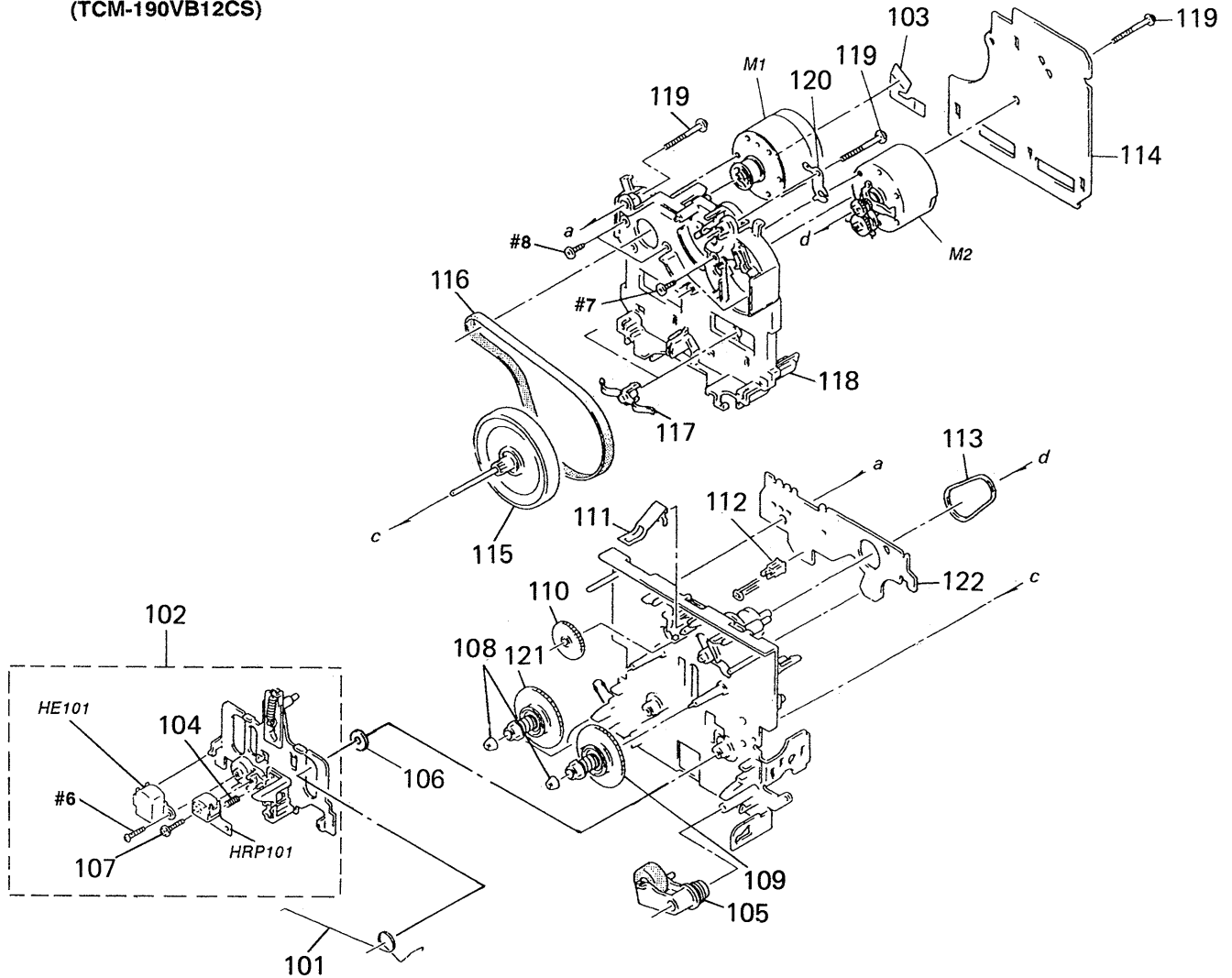
7-2. FRONT PANEL SECTION

- C : POWER SW board
- D : HEADPHONE board
- E : DISPLAY board



Ref.No.	Part No.	Description	Remark	Ref.No.	Part No.	Description	Remark
51	3-367-438-11	KNOB (REC)		62	3-354-956-01	LEVER (EJ SAFTY LEVER R)	
52	3-380-950-01	KNOB (VOL)		63	3-354-962-01	SPRING (EJ SAFTY SPRING R)	
53	3-367-431-01	KNOB (BAL)		64	3-354-963-01	DAMPER	
54	X-3365-341-1	LID (V) ASSY, CASSETTE		* 65	3-354-954-01	LEVER (LOCK LEVER R)	
55	X-3365-340-2	PANEL ASSY, FRONT		66	3-354-957-01	JOINT (LOCK LEVER)	
56	3-308-823-11	SPRING		67	3-368-281-41	BUTTON (B)	
57	4-922-921-01	BUTTON (POWER)		68	3-359-906-01	SPRING, COMPRESSION	
58	4-951-620-01	SCREW (2.6X8), +BVTP		* 69	3-370-068-01	SLIDER (EJECT)	
59	3-356-935-01	SPRING		70	3-370-067-01	BUTTON (EJECT)	
60	3-354-960-01	SPRING (LOADING R), TORSION		FL901	1-519-713-11	INDICATOR TUBE, FLUORESCENT	
61	X-3340-195-1	HOLDER (R) ASSY, CASSETTE					

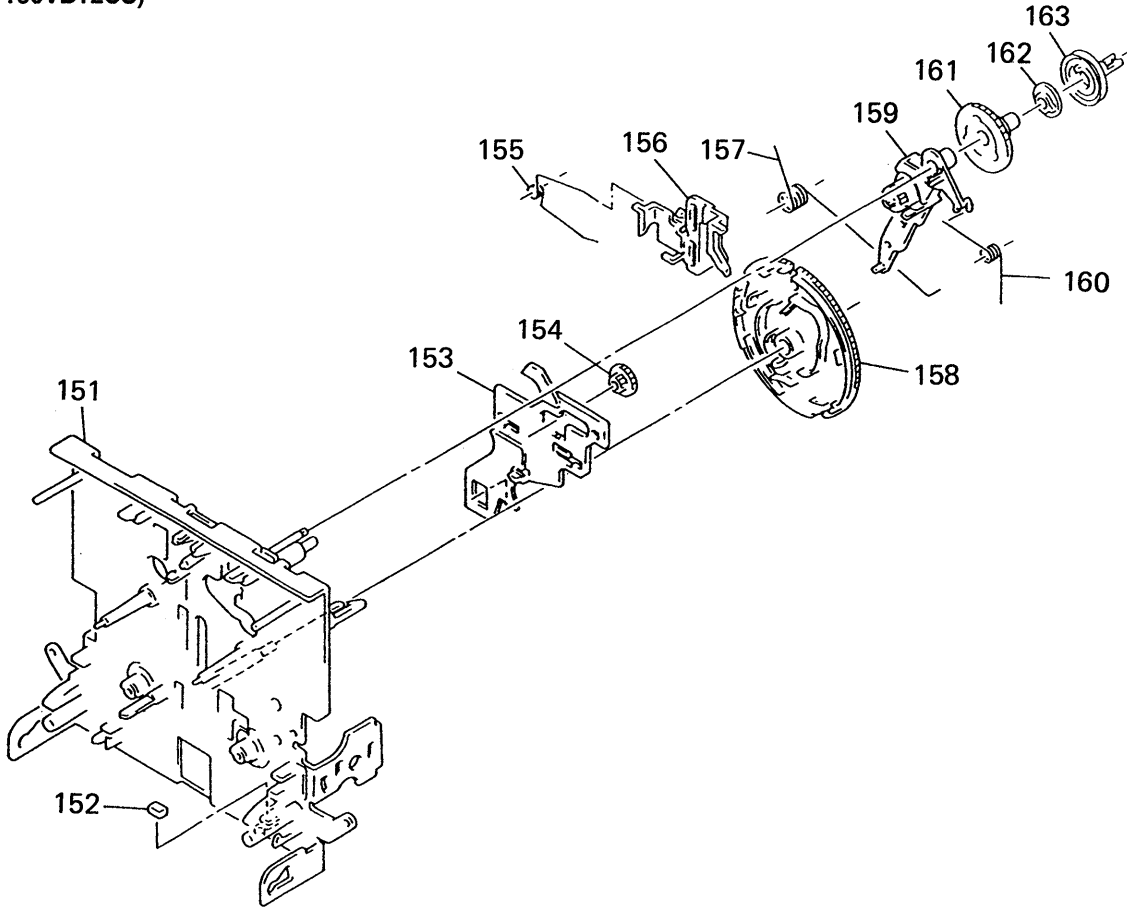
7-3. MECHANISM SECTION 1
(TCM-190VB12CS)



Ref. No.	Part No.	Description	Remark
101	3-359-455-01	SPRING, TORSION	
102	A-2004-043-A	BASE (ONE) ASSY, HEAD	
103	1-638-983-11	PC BOARD, MOTOR FLEXIBLE	
104	3-343-484-01	SPRING, COMPRESSION	
105	X-3359-408-1	LEVER (PINCH LEVER FWD) ASSY	
106	3-356-713-01	WASHER	
107	3-359-446-01	SCREW (AZIMUTH ADJUSTMENT)	
108	3-362-308-01	CAP (REEL)	
109	X-3359-404-1	TABLE ASSY, REEL	
110	3-359-424-01	GEAR (REV GEAR)	
111	3-359-430-01	SPRING(CASSETTE RETAINER), LEAF	
112	3-343-419-01	HOLDER (S SENSER A)	
113	3-359-466-01	BELT (FR), SQUARE	

Ref. No.	Part No.	Description	Remark
* 114	A-2006-756-A	AUDIO BOARD, COMPLETE	
115	X-3364-554-1	FLYWHEEL (FWD) ASSY	
116	3-359-467-01	BELT (1 WAY FLAT BELT)	
117	3-575-321-00	RETAINER, THRUST, CAPSTAN	
* 118	3-359-436-01	BASE (THRUST RETAINER), FITTING	
119	3-359-414-01	SCREW (+PTPWH 2X23)	
120	3-359-450-01	PLATE, GROUND	
121	X-3362-078-1	TABLE ASSY (B), REEL	
* 122	1-634-841-14	SW-A BOARD	
HE101	1-543-673-11	HEAD, MAGNETIC (ERASE)	
HRP101	1-543-919-11	HEAD, MAGNETIC (RECORD/PLAYBACK)	
M1	X-3359-417-1	MOTOR ASSY, CAPSTAN	
M2	X-3363-501-1	MOTOR ASSY, REEL	

7-4. MECHANISM SECTION 2
(TCM-190VB12CS)



Ref. No.	Part No.	Description	Remark
151	X-3359-416-1	CHASSIS (ONE) ASSY, MECHANICAL	
152	3-359-469-01	SPACER	
* 153	3-359-415-01	SLIDER (TRIGGER SLIDER)	
154	3-359-448-01	GEAR (TRIGGER)	
155	3-359-454-01	SPRING, TORSION	
156	3-359-429-01	SLIDER (BRAKE PLATE)	
157	3-359-456-01	SPRING (TRIGGER SPRING), TORSION	

Ref. No.	Part No.	Description	Remark
158	3-359-420-01	GEAR (CAM GEAR)	
159	X-3359-405-1	LEVER (FR ARM) ASSY	
160	3-359-453-01	SPRING (FR ARM), TORSION	
161	3-359-419-01	GEAR (FR GEAR)	
162	3-359-421-01	CLUTCH (REEL DISK)	
163	3-359-418-01	PULLEY (FR PULLEY)	

SECTION 8 ELECTRICAL PARTS LIST

AUDIO

NOTE:

- Due to standardization, replacements in the parts list may be different from the parts specified in the diagrams or the components used on the set.
- -XX, -X mean standardized parts, so they may have some difference from the original one.
- RESISTORS
All resistors are in ohms
METAL: Metal-film resistor
METAL OXIDE: Metal oxide-film resistor
F: nonflammable

- Items marked "*" are not stocked since they are seldom required for routine service. Some delay should be anticipated when ordering these items.
- SEMICONDUCTORS
In each case, u: μ , for example:
uA.....: μ A....., uPA.....: μ PA.....
uPB.....: μ PB....., uPC.....: μ PC.....
uPD.....: μ PD.....
- CAPACITORS
uF: μ F
- COILS
uH: μ H

The components identified by mark Δ or dotted line with mark Δ are critical for safety. Replace only with part number specified.

When indicating parts by reference number, please include the board.

Ref.No.	Part No.	Description	Remark	Ref.No.	Part No.	Description	Remark
*	A-2006-756-A	AUDIO BOARD, COMPLETE *****		C92	1-136-157-00	FILM 0.022uF 5%	50V
		< CAPACITOR >		C93	1-164-004-11	CERAMIC CHIP 0.1uF 10%	25V
C11	1-163-133-00	CERAMIC CHIP 470PF	5% 50V	C94	1-136-439-11	FILM 330PF 5%	630V
C12	1-136-157-00	FILM 0.022uF	5% 50V	C95	1-136-433-11	FILM 100PF 5%	630V
C13	1-124-234-00	ELECT 22uF	20% 16V	C96	1-163-143-00	CERAMIC CHIP 0.0012uF 5%	50V
C18	1-163-117-00	CERAMIC CHIP 100PF	5% 50V	C97	1-136-273-91	FILM 75PF 5%	630V
C21	1-163-133-00	CERAMIC CHIP 470PF	5% 50V	C98	1-163-003-11	CERAMIC CHIP 330PF 10%	50V
				C99	1-164-005-11	CERAMIC CHIP 0.47uF	25V
C22	1-136-157-00	FILM 0.022uF	5% 50V			< CONNECTOR >	
C23	1-124-234-00	ELECT 22uF	20% 16V	* CNP31	1-580-782-11	CONNECTOR, BOARD TO BOARD	
C28	1-163-117-00	CERAMIC CHIP 100PF	5% 50V	* CNP32	1-580-781-11	PIN, CONNECTOR (PC BOARD) 7P	
C31	1-124-234-00	ELECT 22uF	20% 16V	* CNP33	1-580-782-11	CONNECTOR, BOARD TO BOARD	
C32	1-124-234-00	ELECT 22uF	20% 16V	* CNP71	1-564-719-11	PIN, CONNECTOR (SMALL TYPE) 3P	
C33	1-124-234-00	ELECT 22uF	20% 16V	* CNP72	1-580-411-11	SOCKET, CONNECTOR 4P	
C51	1-164-182-11	CERAMIC CHIP 0.0033uF	10% 50V			< DIODE >	
C52	1-164-182-11	CERAMIC CHIP 0.0033uF	10% 50V	D31	8-719-016-74	DIODE 1SS352	
C53	1-163-020-00	CERAMIC CHIP 0.0082uF	10% 50V			< IC >	
C54	1-136-601-11	FILM 0.01uF	5% 630V	IC31	8-759-106-02	IC uPC4570G2	
C56	1-164-505-11	CERAMIC CHIP 2.2uF	16V	IC81	8-759-106-56	IC uPC1297CA	
C57	1-164-346-11	CERAMIC CHIP 1uF	16V			< COIL >	
C71	1-164-346-11	CERAMIC CHIP 1uF	16V	L81	1-410-780-11	INDUCTOR 27mH	
C80	1-124-234-00	ELECT 22uF	20% 16V	L91	1-410-780-11	INDUCTOR 27mH	
C81	1-164-232-11	CERAMIC CHIP 0.01uF	50V			< TRANSISTOR >	
C82	1-136-157-00	FILM 0.022uF	5% 50V	Q51	8-729-808-01	TRANSISTOR 2SD1622-S	
C83	1-164-004-11	CERAMIC CHIP 0.1uF	10% 25V	Q52	8-729-808-01	TRANSISTOR 2SD1622-S	
C84	1-136-439-11	FILM 330PF	5% 630V	Q53	8-729-808-01	TRANSISTOR 2SD1622-S	
C85	1-136-433-11	FILM 100PF	5% 630V	Q71	8-729-216-22	TRANSISTOR 2SA1162	
C86	1-163-143-00	CERAMIC CHIP 0.0012uF	5% 50V				
C87	1-136-273-91	FILM 75PF	5% 630V				
C88	1-163-003-11	CERAMIC CHIP 330PF	10% 50V				
C89	1-124-234-00	ELECT 22uF	20% 16V				
C90	1-107-045-00	MICA 3.9PF	500V				
C91	1-164-232-11	CERAMIC CHIP 0.01uF	50V				

AUDIO	SW-A	SYSTEM CONTROL
--------------	-------------	-----------------------

Ref.No.	Part No.	Description	Remark
< RESISTOR >			
R11	1-216-107-00	METAL CHIP	270K 5% 1/10W
R12	1-216-025-00	METAL CHIP	100 5% 1/10W
R13	1-216-100-00	METAL GLAZE	130K 5% 1/10W
R14	1-216-067-00	METAL CHIP	5.6K 5% 1/10W
R21	1-216-107-00	METAL CHIP	270K 5% 1/10W
R22	1-216-025-00	METAL CHIP	100 5% 1/10W
R23	1-216-100-00	METAL GLAZE	130K 5% 1/10W
R24	1-216-067-00	METAL CHIP	5.6K 5% 1/10W
R31	1-216-033-00	METAL CHIP	220 5% 1/10W
R32	1-216-033-00	METAL CHIP	220 5% 1/10W
R51	1-216-091-00	METAL CHIP	56K 5% 1/10W
R52	1-216-091-00	METAL CHIP	56K 5% 1/10W
R53	1-216-073-00	METAL CHIP	10K 5% 1/10W
R54	1-216-309-00	METAL CHIP	5.6 5% 1/10W
R55	1-216-309-00	METAL CHIP	5.6 5% 1/10W
R57	1-216-298-00	METAL CHIP	2.2 5% 1/10W
R71	1-216-082-00	METAL GLAZE	24K 5% 1/10W
R72	1-216-081-00	METAL CHIP	22K 5% 1/10W
R73	1-216-089-00	METAL CHIP	47K 5% 1/10W
R74	1-216-089-00	METAL CHIP	47K 5% 1/10W
R81	1-216-073-00	METAL CHIP	10K 5% 1/10W
R82	1-216-085-00	METAL CHIP	33K 5% 1/10W
R83	1-216-001-00	METAL CHIP	10 5% 1/10W
R84	1-216-101-00	METAL CHIP	150K 5% 1/10W
R85	1-216-075-00	METAL CHIP	12K 5% 1/10W
R91	1-216-073-00	METAL CHIP	10K 5% 1/10W
R92	1-216-085-00	METAL CHIP	33K 5% 1/10W
R93	1-216-001-00	METAL CHIP	10 5% 1/10W
R94	1-216-101-00	METAL CHIP	150K 5% 1/10W
R95	1-216-075-00	METAL CHIP	12K 5% 1/10W
< VARIABLE RESISTOR >			
RV11	1-241-627-11	RES, ADJ, CARBON 1K (PB LEVEL L)	
RV12	1-241-627-11	RES, ADJ, CARBON 1K (PB LEVEL R)	
RV71	1-241-630-11	RES, ADJ, CARBON 10K (TAPE SPEED)	
RV72	1-241-630-11	RES, ADJ, CARBON 10K (TAPE SPEED)	
RV81	1-241-122-11	RES, ADJ, CARBON 22K (REC BIAS)	
RV91	1-241-122-11	RES, ADJ, CARBON 22K (REC BIAS)	
< RELAY >			
RY31	1-515-726-11	RELAY	
< TRANSFORMER >			
T51	1-433-383-11	TRANSFORMER, BIAS OSCILLATION	
T81	1-433-398-11	TRANSFORMER, BIAS OSCILLATOR	
T91	1-433-398-11	TRANSFORMER, BIAS OSCILLATOR	

Ref.No.	Part No.	Description	Remark
< CONNECTOR >			
* TP81	1-568-449-11	HOUSING, CONNECTOR(PC BOARD)3P	

*	1-634-841-14	SW-A BOARD	*****
	3-343-419-01	HOLDER (S SENSER A)	
< CONNECTOR >			
* CNP81	1-568-852-11	SOCKET, CONNECTOR 9P	
< IC >			
IC81	8-719-710-03	DIODE NJL5165K-B	
< RESISTOR >			
R81	1-249-414-11	CARBON	560 5% 1/4W
R83	1-247-834-11	CARBON	1.3K 5% 1/4W
R84	1-249-417-11	CARBON	1K 5% 1/4W
R85	1-249-408-11	CARBON	180 5% 1/4W
< SWITCH >			
S81	1-571-958-11	SWITCH, PUSH (1 KEY) (STOP)	
S82	1-571-281-21	SWITCH, LEAF (CrO2)	
S83	1-571-281-21	SWITCH, LEAF (METAL)	
S84	1-571-281-21	SWITCH, LEAF (REC)	
S86	1-571-281-21	SWITCH, LEAF (HALF)	

*	A-2006-785-A	SYSTEM CONTROL BOARD, COMPLETE	*****
*	1-533-213-31	HOLDER, FUSE	
*	1-562-327-00	SOCKET, CONNECTOR 3P	
< CAPACITOR >			
C101	1-124-907-11	ELECT	10uF 20% 50V
C102	1-136-157-00	FILM	0.022uF 5% 50V
C103	1-130-471-00	MYLAR	0.001uF 5% 50V
C104	1-130-475-00	MYLAR	0.0022uF 5% 50V
C105	1-130-475-00	MYLAR	0.0022uF 5% 50V
C106	1-130-475-00	MYLAR	0.0022uF 5% 50V
C107	1-136-174-00	FILM	0.56uF 5% 50V
C108	1-136-171-00	FILM	0.33uF 5% 50V
C109	1-124-907-11	ELECT	10uF 20% 50V
C110	1-124-907-11	ELECT	10uF 20% 50V
C111	1-136-157-00	FILM	0.022uF 5% 50V
C121	1-124-903-11	ELECT	1uF 20% 50V
C122	1-123-382-00	ELECT	3.3uF 20% 100V

SYSTEM CONTROL

Ref.No.	Part No.	Description			Remark
C123	1-124-465-00	ELECT	0.47uF	20%	50V
C151	1-123-382-00	ELECT	3.3uF	20%	100V
C201	1-124-907-11	ELECT	10uF	20%	50V
C202	1-136-157-00	FILM	0.022uF	5%	50V
C203	1-130-471-00	MYLAR	0.001uF	5%	50V
C204	1-130-475-00	MYLAR	0.0022uF	5%	50V
C205	1-130-475-00	MYLAR	0.0022uF	5%	50V
C206	1-130-475-00	MYLAR	0.0022uF	5%	50V
C207	1-136-174-00	FILM	0.56uF	5%	50V
C208	1-136-171-00	FILM	0.33uF	5%	50V
C209	1-124-907-11	ELECT	10uF	20%	50V
C210	1-124-907-11	ELECT	10uF	20%	50V
C211	1-136-157-00	FILM	0.022uF	5%	50V
C221	1-124-903-11	ELECT	1uF	20%	50V
C222	1-123-382-00	ELECT	3.3uF	20%	100V
C223	1-124-465-00	ELECT	0.47uF	20%	50V
C251	1-123-382-00	ELECT	3.3uF	20%	100V
C501	1-124-907-11	ELECT	10uF	20%	50V
C502	1-124-907-11	ELECT	10uF	20%	50V
C503	1-126-233-11	ELECT	22uF	20%	50V
C504	1-124-907-11	ELECT	10uF	20%	50V
C505	1-124-907-11	ELECT	10uF	20%	50V
C521	1-124-907-11	ELECT	10uF	20%	50V
C541	1-124-034-51	ELECT	33uF	20%	16V
C551	1-162-217-31	CERAMIC	56PF	5%	50V
C552	1-161-494-00	CERAMIC	0.022uF		25V
C553	1-162-217-31	CERAMIC	56PF	5%	50V
C554	1-124-925-11	ELECT	2.2uF	20%	100V
C555	1-124-925-11	ELECT	2.2uF	20%	100V
C701	1-124-563-11	ELECT	2200uF	20%	25V
C702	1-124-563-11	ELECT	2200uF	20%	25V
C703	1-124-477-11	ELECT	47uF	20%	25V
C704	1-124-473-11	ELECT	1000uF	20%	10V
C705	1-124-473-11	ELECT	1000uF	20%	10V
C706	1-124-927-11	ELECT	4.7uF	20%	100V
C708	1-124-907-11	ELECT	10uF	20%	50V
C709	1-124-472-11	ELECT	470uF	20%	10V
C710	1-124-122-11	ELECT	100uF	20%	50V
C711	1-164-159-11	CERAMIC	0.1uF		50V
C712	1-124-910-11	ELECT	47uF	20%	50V
C802	1-161-494-00	CERAMIC	0.022uF		25V
C803	1-124-907-11	ELECT	10uF	20%	50V
C804	1-124-907-11	ELECT	10uF	20%	50V
C805	1-164-159-11	CERAMIC	0.1uF		50V
C806	1-126-176-11	ELECT	220uF	20%	10V
C807	1-162-288-31	CERAMIC	330PF	10%	50V
C808	1-164-159-11	CERAMIC	0.1uF		50V
C809	1-164-159-11	CERAMIC	0.1uF		50V
C810	1-124-907-11	ELECT	10uF	20%	50V

Ref.No.	Part No.	Description		Remark
< CONNECTOR >				
* CN505	1-568-828-11	SOCKET, CONNECTOR 9P		
* CN607	1-580-782-11	CONNECTOR, BOARD TO BOARD		
* CN901	1-580-782-11	CONNECTOR, BOARD TO BOARD		
* CN902	1-580-782-11	CONNECTOR, BOARD TO BOARD		
* CN903	1-580-782-11	CONNECTOR, BOARD TO BOARD		
* CNP501	1-564-337-00	PIN, CONNECTOR 3P		
* CNP502	1-564-705-11	PIN, CONNECTOR (SMALL TYPE) 3P		
* CNP503	1-691-916-11	CONNECTOR, BOARD TO BOARD		
* CNP504	1-691-916-11	CONNECTOR, BOARD TO BOARD		
* CNP505	1-564-705-11	PIN, CONNECTOR (SMALL TYPE) 3P		
* CNP506	1-564-337-61	PIN, CONNECTOR 3P		
* CNP507	1-580-784-11	CONNECTOR, BOARD TO BOARD		
* CNP508	1-564-705-11	PIN, CONNECTOR (SMALL TYPE) 3P		
* CNP601	1-564-705-11	PIN, CONNECTOR (SMALL TYPE) 3P		
* CNP702	1-564-340-00	PIN, CONNECTOR 6P		
* CNP801	1-580-784-11	CONNECTOR, BOARD TO BOARD		
* CNP802	1-580-784-11	CONNECTOR, BOARD TO BOARD		
* CNP803	1-580-784-11	CONNECTOR, BOARD TO BOARD		
< DIODE >				
D151	8-719-987-63	DIODE	1N4148M	
D152	8-719-933-33	DIODE	HZS6A1L	
D251	8-719-987-63	DIODE	1N4148M	
D252	8-719-933-33	DIODE	HZS6A1L	
D545	8-719-987-63	DIODE	1N4148M	
D701	8-719-200-77	DIODE	10E2N	
D702	8-719-200-77	DIODE	10E2N	
D703	8-719-200-77	DIODE	10E2N	
D704	8-719-200-77	DIODE	10E2N	
D705	8-719-200-77	DIODE	10E2N	
D706	8-719-200-77	DIODE	10E2N	
D707	8-719-933-33	DIODE	HZS6A1L	
D708	8-719-001-15	DIODE	UZL-9M2	
D709	8-719-000-78	DIODE	UZL-7L2	
D710	8-719-200-77	DIODE	10E2N	
D711	8-719-987-63	DIODE	1N4148M	
D712	8-719-987-63	DIODE	1N4148M	
D713	8-719-000-93	DIODE	UZL-7H1	
D714	8-719-987-63	DIODE	1N4148M	
D715	8-719-933-36	DIODE	HZS6B1L	
D801	8-719-200-77	DIODE	10E2N	
D802	8-719-987-63	DIODE	1N4148M	
D803	8-719-987-63	DIODE	1N4148M	
< INDICATOR TUBE >				
FL901	1-519-713-11	INDICATOR TUBE, FLUORESCENT		

SYSTEM CONTROL

Ref.No.	Part No.	Description	Remark
< IC >			
IC501	8-752-059-55	IC CXA1331S	
IC502	8-752-055-62	IC CXA1579P	
IC503	8-759-000-48	IC MC14052BCP	
IC504	8-759-945-58	IC RC4558P	
IC505	8-759-945-58	IC RC4558P	
IC506	8-759-634-51	IC M5218AP	
IC701	8-759-945-58	IC RC4558P	
IC801	8-759-065-44	IC M50940-395SP	
IC802	8-759-803-42	IC LA6500-FA	
IC901	8-741-100-48	IC SBX1610-59	
< JACK >			
J501	1-565-258-11	JACK, PIN 4P (LINE IN/OUT)	
J502	1-568-519-41	JACK, LARGE TYPE (HEADPHONE)	
< FILTER >			
LPF101	1-231-388-00	FILTER, LOW PASS	
LPF201	1-231-388-00	FILTER, LOW PASS	
< TRANSISTOR >			
Q101	8-729-900-89	TRANSISTOR DTC144ES	
Q102	8-729-900-80	TRANSISTOR DTC114ES	
Q103	8-729-142-25	TRANSISTOR 2SD1020-HFE	
Q201	8-729-900-89	TRANSISTOR DTC144ES	
Q202	8-729-900-80	TRANSISTOR DTC114ES	
Q203	8-729-142-25	TRANSISTOR 2SD1020-HFE	
Q521	8-729-900-80	TRANSISTOR DTC114ES	
Q522	8-729-900-89	TRANSISTOR DTC144ES	
Q531	8-729-900-61	TRANSISTOR DTA114ES	
Q532	8-729-900-80	TRANSISTOR DTC114ES	
Q541	8-729-900-65	TRANSISTOR DTA144ES	
Q542	8-729-900-89	TRANSISTOR DTC144ES	
Q551	8-729-119-76	TRANSISTOR 2SA1175-HFE	
Q701	8-729-141-83	TRANSISTOR 2SA473	
Q702	8-729-209-15	TRANSISTOR 2SD2012	
Q703	8-729-900-74	TRANSISTOR DTC143TS	
Q704	8-729-620-05	TRANSISTOR 2SC2603-EF	
Q705	8-729-209-15	TRANSISTOR 2SD2012	
Q706	8-729-900-74	TRANSISTOR DTC143TS	
Q707	8-729-119-76	TRANSISTOR 2SA1175-HFE	
Q708	8-729-140-04	TRANSISTOR 2SB1116A-L	
Q802	8-729-900-80	TRANSISTOR DTC114ES	
Q803	8-729-900-65	TRANSISTOR DTA144ES	
Q804	8-729-620-05	TRANSISTOR 2SC2603-EF	
Q805	8-729-620-05	TRANSISTOR 2SC2603-EF	
Q806	8-729-900-65	TRANSISTOR DTA144ES	
Q807	8-729-900-61	TRANSISTOR DTA114ES	

Ref.No.	Part No.	Description	Remark
Q808	8-729-900-80	TRANSISTOR DTC114ES	
Q809	8-729-801-84	TRANSISTOR 2SB1013-4	
Q810	8-729-119-76	TRANSISTOR 2SA1175-HFE	
< RESISTOR >			
R101	1-249-417-11	CARBON 1K 5%	1/4W
R102	1-247-838-00	CARBON 2K 5%	1/4W
R103	1-247-887-00	CARBON 220K 5%	1/4W
R104	1-247-842-11	CARBON 3K 5%	1/4W
R105	1-247-887-00	CARBON 220K 5%	1/4W
R106	1-249-423-11	CARBON 3.3K 5%	1/4W
R107	1-249-428-11	CARBON 8.2K 5%	1/4W
R108	1-247-864-11	CARBON 24K 5%	1/4W
R109	1-249-414-11	CARBON 560 5%	1/4W
R110	1-249-421-11	CARBON 2.2K 5%	1/4W
R111	1-249-421-11	CARBON 2.2K 5%	1/4W
R112	1-249-432-11	CARBON 18K 5%	1/4W
R113	1-249-425-11	CARBON 4.7K 5%	1/4W
R121	1-249-429-11	CARBON 10K 5%	1/4W
R122	1-249-423-11	CARBON 3.3K 5%	1/4W
R141	1-249-433-11	CARBON 22K 5%	1/4W
R142	1-249-417-11	CARBON 1K 5%	1/4W
R151	1-249-434-11	CARBON 27K 5%	1/4W
R152	1-247-868-11	CARBON 36K 5%	1/4W
R153	1-247-870-11	CARBON 43K 5%	1/4W
R154	1-249-408-11	CARBON 180 5%	1/4W
R161	1-249-432-11	CARBON 18K 5%	1/4W
R162	1-249-421-11	CARBON 2.2K 5%	1/4W
R163	1-247-854-11	CARBON 9.1K 5%	1/4W
R164	1-249-409-11	CARBON 220 5%	1/4W
R165	1-249-432-11	CARBON 18K 5%	1/4W
R201	1-249-417-11	CARBON 1K 5%	1/4W
R202	1-247-838-00	CARBON 2K 5%	1/4W
R203	1-247-887-00	CARBON 220K 5%	1/4W
R204	1-247-842-11	CARBON 3K 5%	1/4W
R205	1-247-887-00	CARBON 220K 5%	1/4W
R206	1-249-423-11	CARBON 3.3K 5%	1/4W
R207	1-249-428-11	CARBON 8.2K 5%	1/4W
R208	1-247-864-11	CARBON 24K 5%	1/4W
R209	1-249-414-11	CARBON 560 5%	1/4W
R210	1-249-421-11	CARBON 2.2K 5%	1/4W
R211	1-249-421-11	CARBON 2.2K 5%	1/4W
R212	1-249-432-11	CARBON 18K 5%	1/4W
R213	1-249-425-11	CARBON 4.7K 5%	1/4W
R221	1-249-429-11	CARBON 10K 5%	1/4W
R222	1-249-423-11	CARBON 3.3K 5%	1/4W
R241	1-249-433-11	CARBON 22K 5%	1/4W
R242	1-249-417-11	CARBON 1K 5%	1/4W
R251	1-249-434-11	CARBON 27K 5%	1/4W

SYSTEM CONTROL

Ref. No.	Part No.	Description	Remark			Ref. No.	Part No.	Description	Remark		
R252	1-247-868-11	CARBON	36K	5%	1/4W	R709	1-249-409-11	CARBON	220	5%	1/4W
R253	1-247-870-11	CARBON	43K	5%	1/4W	R710	1-249-417-11	CARBON	1K	5%	1/4W
R254	1-249-408-11	CARBON	180	5%	1/4W	R711	1-249-427-11	CARBON	6.8K	5%	1/4W
R261	1-249-432-11	CARBON	18K	5%	1/4W	R712	1-249-427-11	CARBON	6.8K	5%	1/4W
R262	1-249-421-11	CARBON	2.2K	5%	1/4W	R713	1-249-417-11	CARBON	1K	5%	1/4W
R263	1-247-854-11	CARBON	9.1K	5%	1/4W	R714	1-247-838-00	CARBON	2K	5%	1/4W
R264	1-249-409-11	CARBON	220	5%	1/4W	R715	1-249-421-11	CARBON	2.2K	5%	1/4W
R265	1-249-432-11	CARBON	18K	5%	1/4W	R716	1-249-429-11	CARBON	10K	5%	1/4W
R501	1-249-417-11	CARBON	1K	5%	1/4W	R717	1-249-436-11	CARBON	39K	5%	1/4W
R502	1-215-455-00	METAL	27K	1%	1/6W	R718	1-249-433-11	CARBON	22K	5%	1/4W
R503	1-249-429-11	CARBON	10K	5%	1/4W	R719	1-249-441-11	CARBON	100K	5%	1/4W
R521	1-215-455-00	METAL	27K	1%	1/6W	R801	1-249-432-11	CARBON	18K	5%	1/4W
R522	1-249-429-11	CARBON	10K	5%	1/4W	R802	1-249-423-11	CARBON	3.3K	5%	1/4W
R523	1-249-421-11	CARBON	2.2K	5%	1/4W	R803	1-249-435-11	CARBON	33K	5%	1/4W
R524	1-249-433-11	CARBON	22K	5%	1/4W	R804	1-249-435-11	CARBON	33K	5%	1/4W
R525	1-249-429-11	CARBON	10K	5%	1/4W	R805	1-247-903-00	CARBON	1M	5%	1/4W
R526	1-249-431-11	CARBON	15K	5%	1/4W	R806	1-249-435-11	CARBON	33K	5%	1/4W
R527	1-249-425-11	CARBON	4.7K	5%	1/4W	R807	1-249-435-11	CARBON	33K	5%	1/4W
R528	1-249-425-11	CARBON	4.7K	5%	1/4W	R808	1-249-435-11	CARBON	33K	5%	1/4W
R531	1-249-421-11	CARBON	2.2K	5%	1/4W	R809	1-249-435-11	CARBON	33K	5%	1/4W
R532	1-249-417-11	CARBON	1K	5%	1/4W	R812	1-249-429-11	CARBON	10K	5%	1/4W
R533	1-247-860-11	CARBON	16K	5%	1/4W	R813	1-249-435-11	CARBON	33K	5%	1/4W
R534	1-249-418-11	CARBON	1.2K	5%	1/4W	R814	1-249-435-11	CARBON	33K	5%	1/4W
R535	1-247-846-11	CARBON	4.3K	5%	1/4W	R815	1-249-435-11	CARBON	33K	5%	1/4W
R541	1-247-850-11	CARBON	6.2K	5%	1/4W	R816	1-249-429-11	CARBON	10K	5%	1/4W
R542	1-247-862-11	CARBON	20K	5%	1/4W	R817	1-247-862-11	CARBON	20K	5%	1/4W
R543	1-249-428-11	CARBON	8.2K	5%	1/4W	R818	1-249-433-11	CARBON	22K	5%	1/4W
R545	1-249-425-11	CARBON	4.7K	5%	1/4W	R819	1-249-430-11	CARBON	12K	5%	1/4W
R546	1-247-838-00	CARBON	2K	5%	1/4W	R820	1-249-433-11	CARBON	22K	5%	1/4W
R551	1-249-441-11	CARBON	100K	5%	1/4W	R821	1-249-433-11	CARBON	22K	5%	1/4W
R552	1-249-429-11	CARBON	10K	5%	1/4W	R822	1-249-405-11	CARBON	100	5%	1/4W
R553	1-249-441-11	CARBON	100K	5%	1/4W	R823	1-249-429-11	CARBON	10K	5%	1/4W
R554	1-249-428-11	CARBON	8.2K	5%	1/4W	R824	1-249-413-11	CARBON	470	5%	1/4W
R555	1-249-441-11	CARBON	100K	5%	1/4W	R825	1-249-403-11	CARBON	68	5%	1/4W
R556	1-249-423-11	CARBON	3.3K	5%	1/4W	R826	1-249-422-11	CARBON	2.7K	5%	1/4W
R557	1-249-441-11	CARBON	100K	5%	1/4W	R827	1-249-422-11	CARBON	2.7K	5%	1/4W
R558	1-249-429-11	CARBON	10K	5%	1/4W	R828	1-249-422-11	CARBON	2.7K	5%	1/4W
R559	1-249-429-11	CARBON	10K	5%	1/4W	R830	1-249-405-11	CARBON	100	5%	1/4W
R560	1-249-417-11	CARBON	1K	5%	1/4W	R831	1-249-405-11	CARBON	100	5%	1/4W
R561	1-249-431-11	CARBON	15K	5%	1/4W	R832	1-249-405-11	CARBON	100	5%	1/4W
R562	1-249-436-11	CARBON	39K	5%	1/4W	R833	1-249-405-11	CARBON	100	5%	1/4W
R701	1-249-425-11	CARBON	4.7K	5%	1/4W	R901	1-249-420-11	CARBON	1.8K	5%	1/4W
R702	1-249-420-11	CARBON	1.8K	5%	1/4W	R902	1-249-423-11	CARBON	3.3K	5%	1/4W
R703	1-249-426-11	CARBON	5.6K	5%	1/4W	R903	1-249-426-11	CARBON	5.6K	5%	1/4W
R704	1-249-427-11	CARBON	6.8K	5%	1/4W	R904	1-249-429-11	CARBON	10K	5%	1/4W
R705	1-249-419-11	CARBON	1.5K	5%	1/4W	R905	1-249-435-11	CARBON	33K	5%	1/4W
R706	1-249-429-11	CARBON	10K	5%	1/4W	R906	1-249-420-11	CARBON	1.8K	5%	1/4W
R707	1-249-419-11	CARBON	1.5K	5%	1/4W	R907	1-249-423-11	CARBON	3.3K	5%	1/4W
R708	1-249-425-11	CARBON	4.7K	5%	1/4W	R908	1-249-426-11	CARBON	5.6K	5%	1/4W

SYSTEM CONTROL

Ref.No.	Part No.	Description	Remark
R909	1-249-429-11	CARBON 10K 5%	1/4W
R910	1-249-429-11	CARBON 10K 5%	1/4W

< VARIABLE RESISTOR >

RV121	1-238-600-11	RES, ADJ, CARBON 10K (REC GAIN)	
RV221	1-238-600-11	RES, ADJ, CARBON 10K (REC GAIN)	
RV501	1-241-820-11	RES, VAR, CARBON 50K/50K (REC LEVEL)	
RV502	1-241-821-11	RES, VAR, CARBON 50K/50K (BALANCE)	
RV503	1-241-822-11	RES, VAR, CARBON 5K (BIAS)	

< SWITCH >

S501	1-692-063-11	SWITCH, ROTARY (DOLBY NR)	
S601	1-554-118-00	SWITCH, PUSH (1 KEY) (POWER)	
S901	1-554-303-21	SWITCH, TACTILE (PAUSE)	
S903	1-554-303-21	SWITCH, TACTILE (▷)	
S905	1-554-303-21	SWITCH, TACTILE (REC MUTE)	

S906	1-554-303-21	SWITCH, TACTILE (RESET)	
S907	1-554-303-21	SWITCH, TACTILE (MEMORY)	
S908	1-554-303-21	SWITCH, TACTILE (■)	
S909	1-554-303-21	SWITCH, TACTILE (◀◀)	
S910	1-554-303-21	SWITCH, TACTILE (▶▶)	

S911	1-554-303-21	SWITCH, TACTILE (REC)	
------	--------------	-----------------------	--

< CONNECTOR >

* TP801	1-564-505-11	PLUG, CONNECTOR 2P	
---------	--------------	--------------------	--

< CRYSTAL >

X801	1-577-358-21	VIBRATOR, CERAMIC	
------	--------------	-------------------	--

MISCELLANEOUS

1	1-575-781-11	WIRE, FLAT TYPE (9 CORE)	
6	1-555-795-00	CORD, POWER, EULO PLUG (AEP, Germany)	
6	1-556-035-00	CORD, POWER (UK)	
103	1-638-983-11	PC BOARD, MOTOR FLEXIBLE	
△F701	1-532-285-00	FUSE, TIME-LAG	
△F702	1-532-285-00	FUSE, TIME-LAG	
HE101	1-543-673-11	HEAD, MAGNETIC (ERASE)	
HRP101	1-543-919-11	HEAD, MAGNETIC (RECORD/PLAYBACK)	
M1	X-3359-417-1	MOTOR ASSY, CAPSTAN	
M2	X-3363-501-1	MOTOR ASSY, REEL	
△T901	1-450-750-11	TRANSFORMER, POWER	

Ref.No.	Part No.	Description	Remark
		ACCESSORIES & PACKING MATERIALS	

	1-558-271-11	CORD, CONNECTION	
*	3-350-830-01	CUSHION	
*	3-376-443-71	INDIVIDUAL CARTON	
	3-755-327-11	MANUAL, INSTRUCTION (AEP) (ENGLISH/FRENCH/SPANISH/PORTUGUESE)	
	3-755-327-21	MANUAL, INSTRUCTION (UK) (ENGLISH)	
	3-755-327-41	MANUAL, INSTRUCTION (AEP) (GERMAN/DUTCH/SWEDISH/ITALIAN)	
	3-755-327-51	MANUAL, INSTRUCTION (Germany) (GERMAN)	

HARDWARE LIST

#1	7-682-548-09	SCREW +BVTT 3X8 (S)	
#2	7-682-547-04	SCREW +BVTT 3X6 (S)	
#3	7-621-849-00	SCREW (BV/RING)	
#4	7-621-773-95	SCREW +BVTT 2.6X6 (S)	
#5	7-685-134-19	SCREW (+ PTPWH) (2.6X8)	
#6	7-621-772-58	SCREW (+B2X10)	
#7	7-627-556-08	SCREW +P 2.6X2.8	
#8	7-621-775-00	SCREW +B 2.6X3	

Note: The components identified by mark **△** or dotted line with mark **△** are critical for safety. Replace only with part number specified.