



This schematic diagram is for U.S. and Canadian models. All other models are shown in parentheses. All values are in ohms unless otherwise indicated.

RESISTOR VALUE	U.S. & CAN.	OTHER
100K	100,000	100K
10K	10,000	10K
1K	1,000	1K
100	100	100
10	10	10
1	1	1
0.1	0.1	0.1
0.01	0.01	0.01
0.001	0.001	0.001
0.0001	0.0001	0.0001
0.00001	0.00001	0.00001
0.000001	0.000001	0.000001
0.0000001	0.0000001	0.0000001
0.00000001	0.00000001	0.00000001
0.000000001	0.000000001	0.000000001
0.0000000001	0.0000000001	0.0000000001

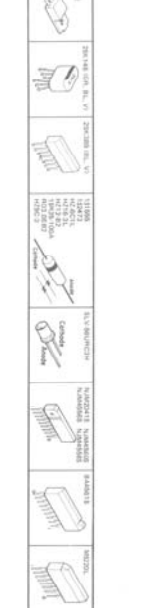
- All voltages are measured with a 150KV DC device and meter.
- Components having special characteristics are marked with a star and asterisk.
- Resistor values are shown in ohms unless otherwise indicated.
- Schematic diagrams are subject to change without notice.

Power Supply Voltage Table

POINT	VOLTAGE
TH100	+20V 1 V
TH101	+20V 1 V
TH102	+18V 1 V
TH103	+18V 1 V
TH104	-18V 1 V
TH105	-18V 1 V

Production Dates of Transmission Control Units

UNIT	DATE	UNIT	DATE
TH100	1983	TH104	1983
TH101	1983	TH105	1983
TH102	1983		
TH103	1983		



RESISTOR

RESISTOR	RESISTANCE	RESISTANCE
100K	100,000	100K
10K	10,000	10K
1K	1,000	1K
100	100	100
10	10	10
1	1	1
0.1	0.1	0.1
0.01	0.01	0.01
0.001	0.001	0.001
0.0001	0.0001	0.0001
0.00001	0.00001	0.00001
0.000001	0.000001	0.000001
0.0000001	0.0000001	0.0000001
0.00000001	0.00000001	0.00000001
0.000000001	0.000000001	0.000000001

CAPACITOR

CAPACITOR	CAPACITANCE	CAPACITANCE
100K	100,000	100K
10K	10,000	10K
1K	1,000	1K
100	100	100
10	10	10
1	1	1
0.1	0.1	0.1
0.01	0.01	0.01
0.001	0.001	0.001
0.0001	0.0001	0.0001
0.00001	0.00001	0.00001
0.000001	0.000001	0.000001
0.0000001	0.0000001	0.0000001
0.00000001	0.00000001	0.00000001

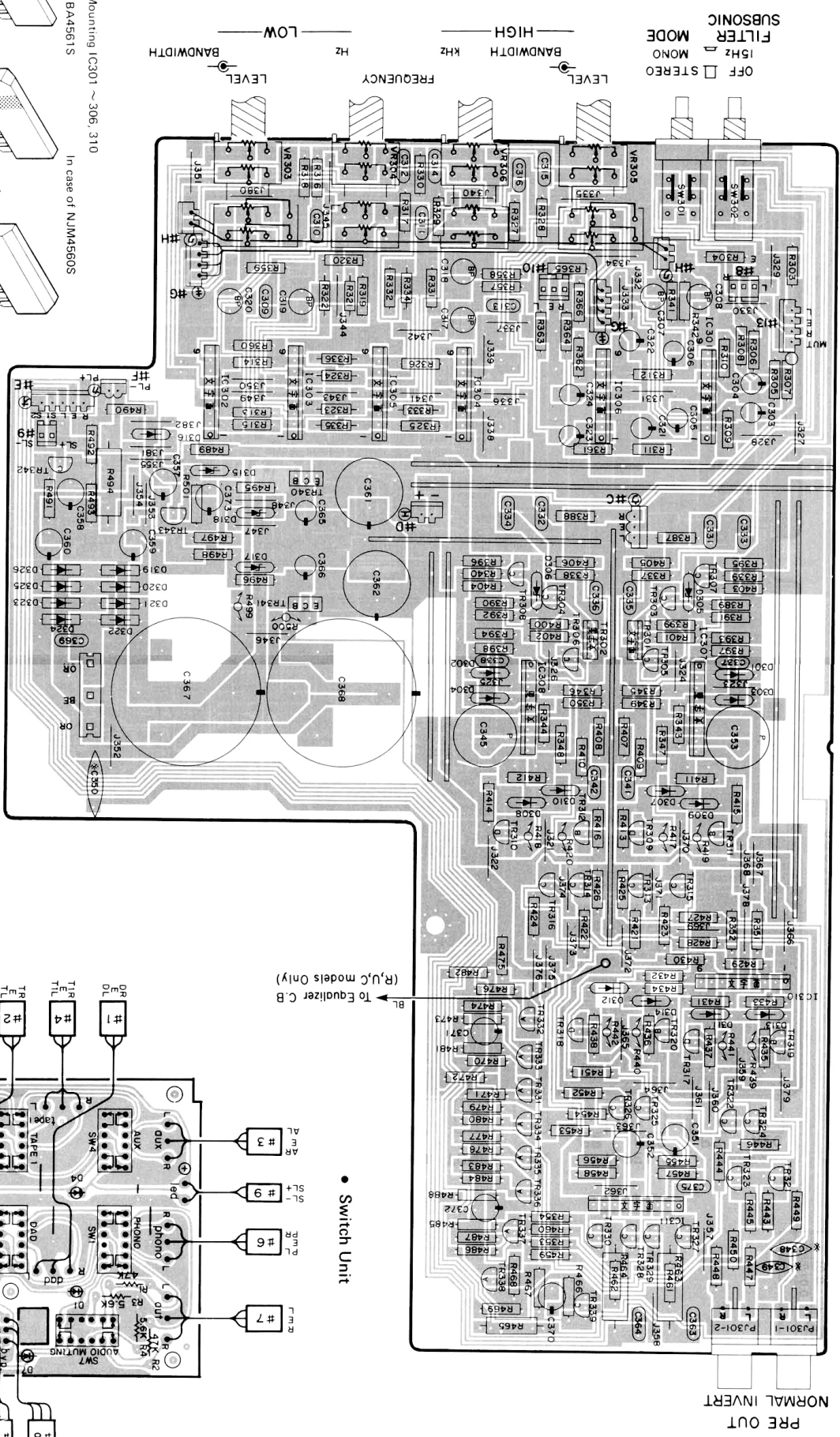
● Tone Control Circuit Board (1)

Note 1 : *marked

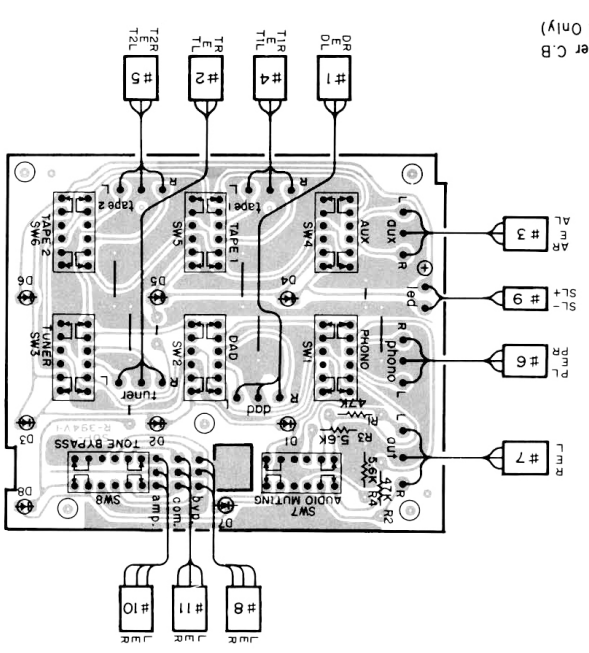
R, U, C	A, E
C348, 349	0.01
C350	0.01/500

Note 3 : Code and Connector marks

- ① #A
- ② #B
- ③ #C
- ④ #D
- ⑤ #E
- ⑥ #F
- ⑦ #G
- ⑧ #H

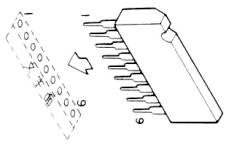


● Switch Unit

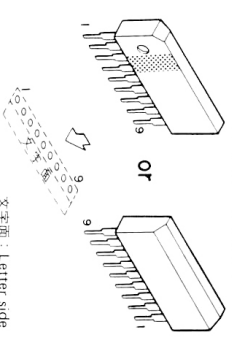


BL ← To Equalizer C.B (R,U,C models Only)

Note 2 : Mounting IC301 ~ 306, 310
In case of BA4561S



In case of NJM4560S

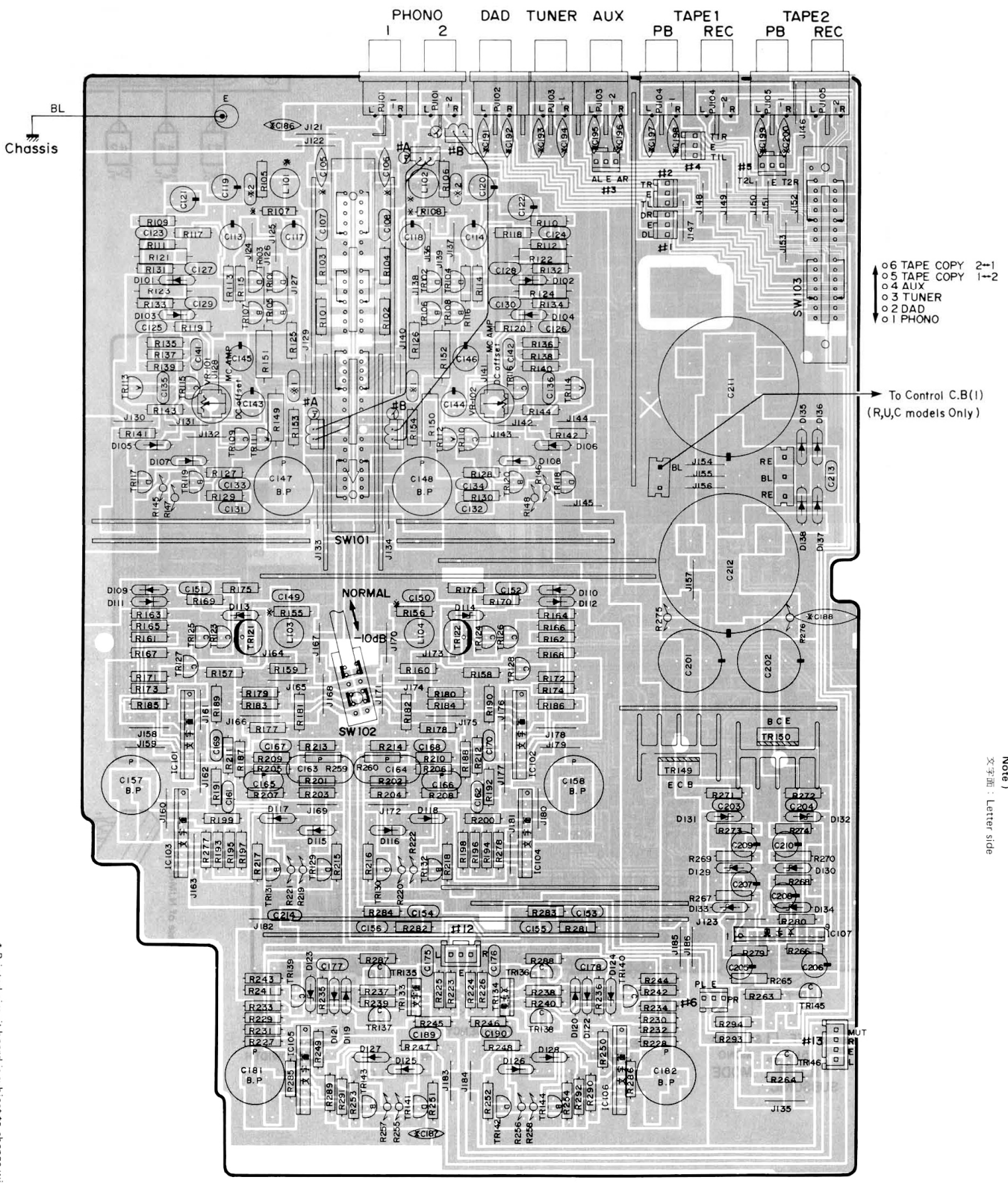


文字面 : Letter side

● Equalizer Circuit Board

Note 1 : * marked

	R, U, C	A, E
C105, 106		0.01
C191~200		220P
L101, 102		15μH
R107, 108	Short	220
C109, 110	1/10.01/1001	2/10.01/1001
C186, 187		0.01
C188		0.01/500
R155, 156	220	1.5K



Note)
* 半田 : Letter side

* Printed circuit board is subject to change without notices.

WIRING

