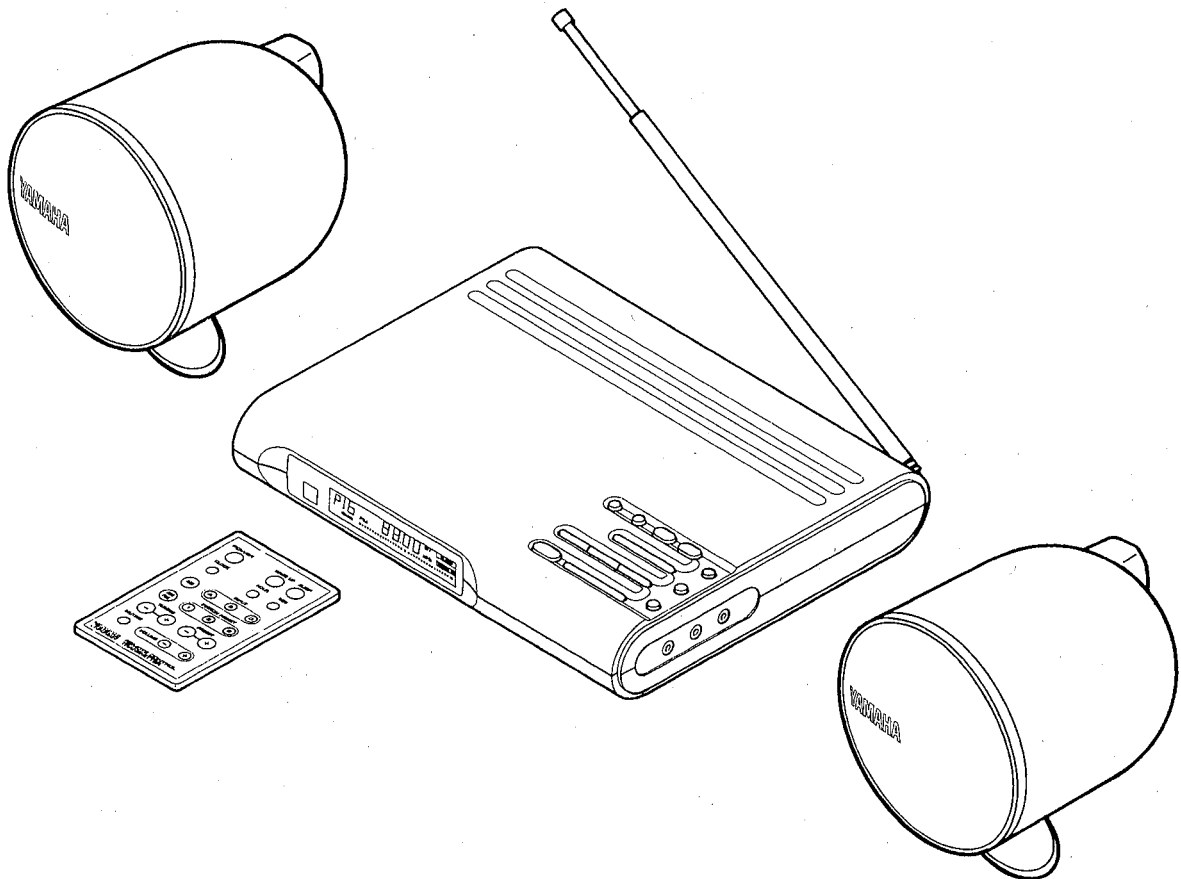


TABLETOP STEREO SYSTEM YST-7

SERVICE MANUAL

YST-7



YST-7 consists of YST-R7 (receiver itself) and YST-SB7 (speakers).

■ CONTENTS

TO SERVICE PERSONNEL	1	ADJUSTMENTS	5
REAR PANELS	1	IC BLOCK	7-10
TOP PANEL	2	BLOCK DIAGRAM	11
SIDE PANEL	2	LCD DATA	12
BOTTOM PANEL	2	PRINTED CIRCUIT BOARD	13-16
SPECIFICATIONS	3	WIRING	17
INTERNAL VIEW	4	SCHEMATIC DIAGRAM	18,19
DISASSEMBLY PROCEDURES	4	PARTS LIST	20-28


100293

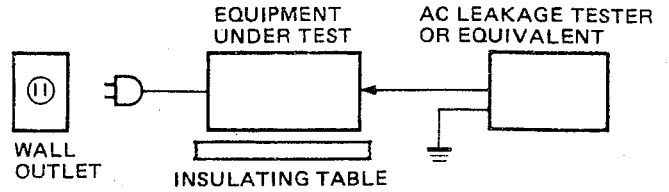
YAMAHA

YAMAHA CORPORATION
P.O.Box 1, Hamamatsu, Japan

3.45K-203 © Printed in Japan '89.11

TO SERVICE PERSONNEL

- Critical Components Information.**
Components having special characteristics are marked  and must be replaced with parts having specifications equal to those originally installed.
- Leakage Current Measurement (For 120V Model Only).**
When service has been completed, it is imperative that you verify that all exposed conductive surfaces are properly insulated from supply circuits.
 - Meter impedance should be equivalent to 1500 ohm shunted by 0.15μF.
 - Leakage current must not exceed 0.5mA.
 - Be sure to test for leakage with the AC plug in both polarities.
- POLARIZATION**
This receiver product is equipped with a polarized alternating current line plug (a plug having one blade wider than the other). This plug will fit into the power outlet only one way. This is a safety feature. (U.C models only)



FUSE REPLACEMENT



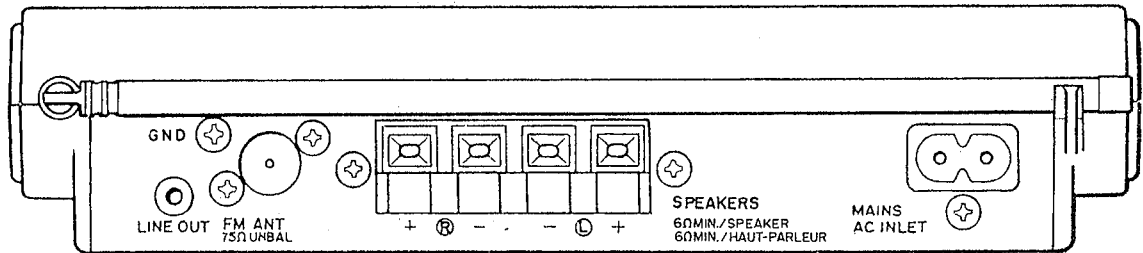
This symbol, when located adjacent to a fuse, indicates.

"CAUTION : FOR CONTINUED PROTECTION AGAINST RISK OF FIRE, REPLACE ONLY WITH SAME TYPE FUSE."
Fuse F201 must be 1 amp. 250V.

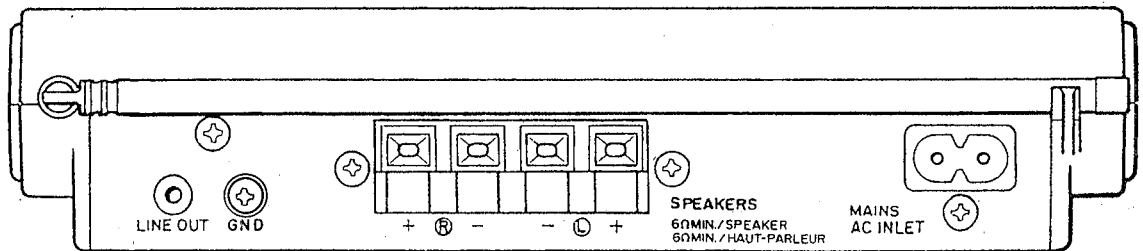
- Lithiumbatteri**
Eksplussionsfare ved fejlagtig håndtering. Udskiftning må kun ske med batteri af samme fabrikat og type. Lever det brugte batteri tilbage til leverandøren.

REAR PANELS

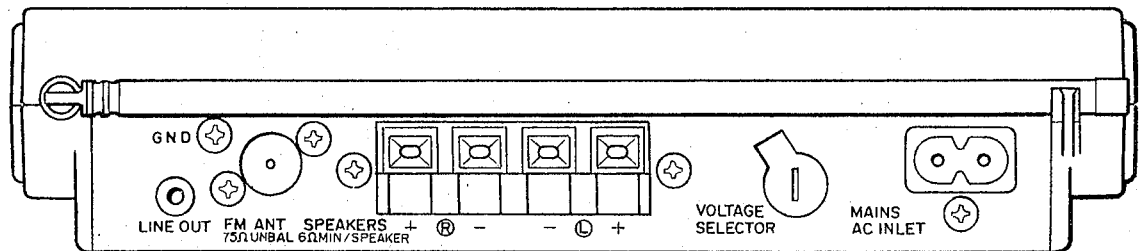
U,C,A,B,H models



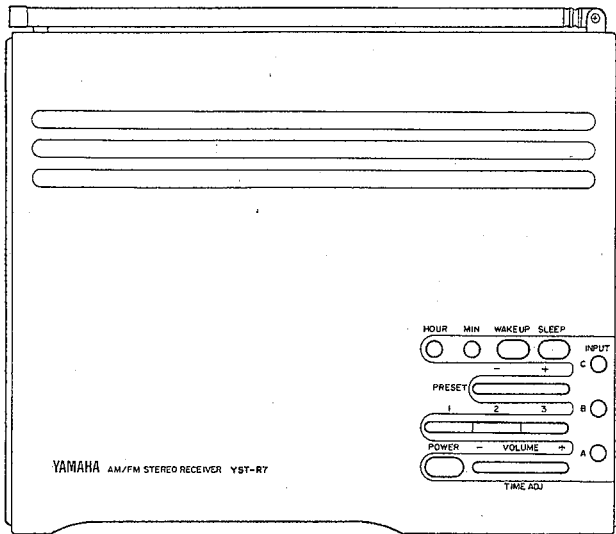
G model



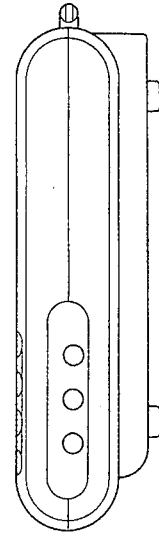
R model



TOP PANEL

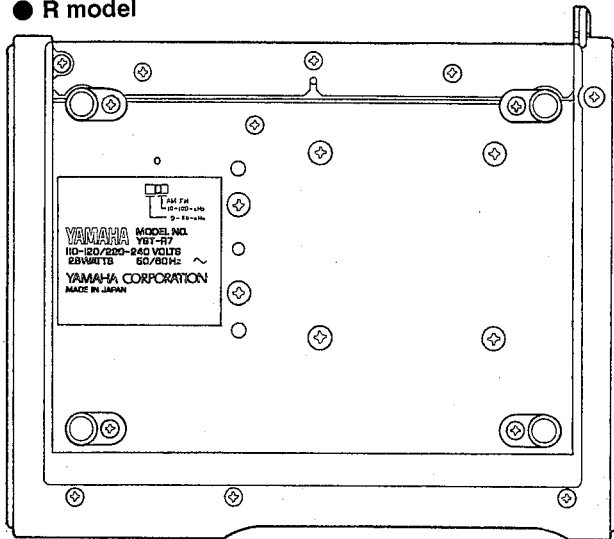


SIDE PANEL

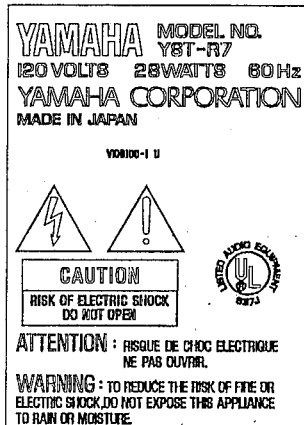


BOTTOM PANEL

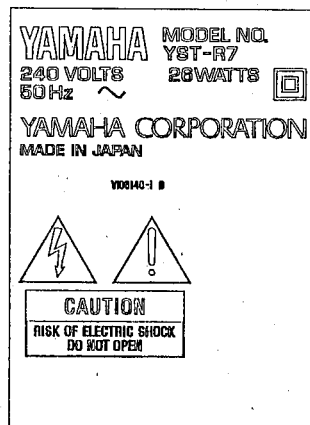
R model



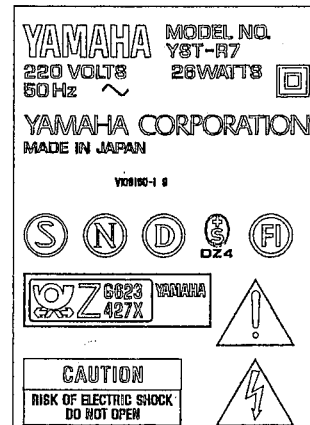
U,C models



A,B models



G,H models



■ SPECIFICATIONS

Amplifier section

Minimum RMS output power per channel (at 1 kHz, 1% THD, 6 ohms) 5 W
 Input sensitivity/impedance (INPUT A, B and C)..... 150 m V/47 kohms

Tuner section

FM tuning range
 USA/Canada models 87.5 - 107.9 MHz
 General model 87.5 - 107.9 MHz (100 kHz step)
 87.5 - 108.0 MHz (50 kHz step)
 U.K./Australia/European/North European models 87.5 - 108.9 MHz
 AM tuning range
 USA/Canada models 530 - 1710 kHz
 General model 530 - 1710 kHz (10 kHz step)
 531 - 1611 kHz (9 kHz step)
 U.K./Australia/ European/North European models 531 - 1611 kHz

Clock section

Monthly error ±30 seconds (at 25 °C)

Speakers

Speaker unit 10-cm full range unit per channel

General

Frequency response 45 Hz - 18 kHz

Power supply

USA/Canada models AC 120 V, 60 Hz
 General model AC 110 - 120V/220 - 240 V, 50/60 Hz
 U.K./Australia models AC 240 V, 50 Hz
 Europe model AC 220 V, 50 Hz

Power consumption

USA/Canada models 28 W
 U.K./Australia/ European/North European/General models 26 W

Dimensions (W x H x D)

AM/FM stereo receiver 210 x 55 x 184 mm
 (8-1/4" x 2-1/4" x 7-1/4")
 (with speaker terminals)
 Speaker (per unit) 145 dia. x 175 mm
 (5-11/16" dia. x 6-7/8")
 (without speaker stand)

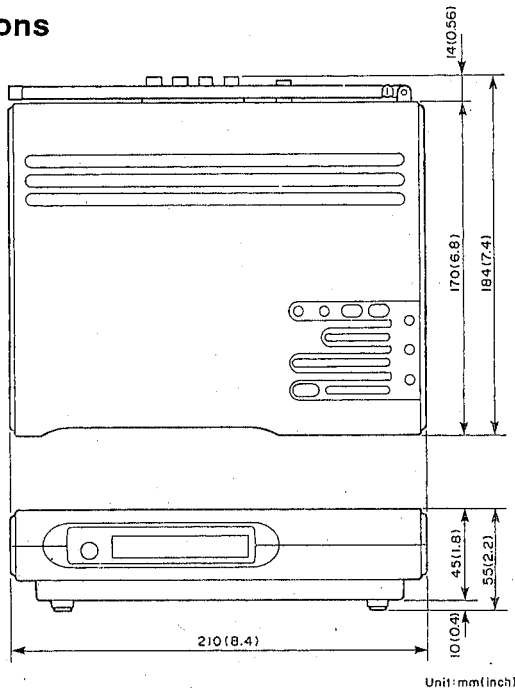
Weight

AM/FM stereo receiver 1.8 kg
 (3 lb 15 oz)
 Speaker (per unit) 1.3 kg
 (2 lb 14 oz)

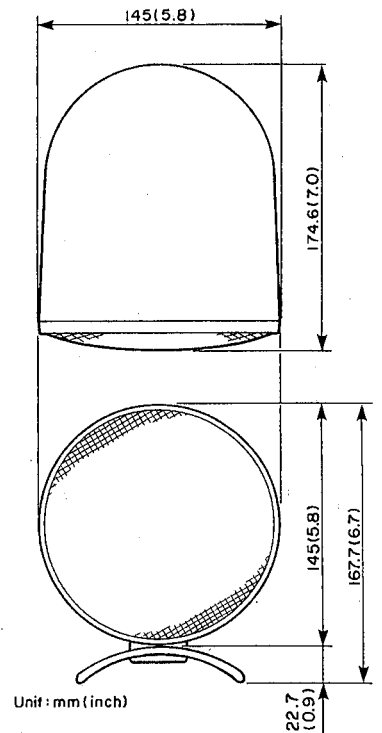
Specifications subject to change without notice.

- (U) U.S.A model
- (C) Canadian model
- (G) European model
- (A) Australian model
- (B) British model
- (R) General model
- (H) North European model

● Dimentions

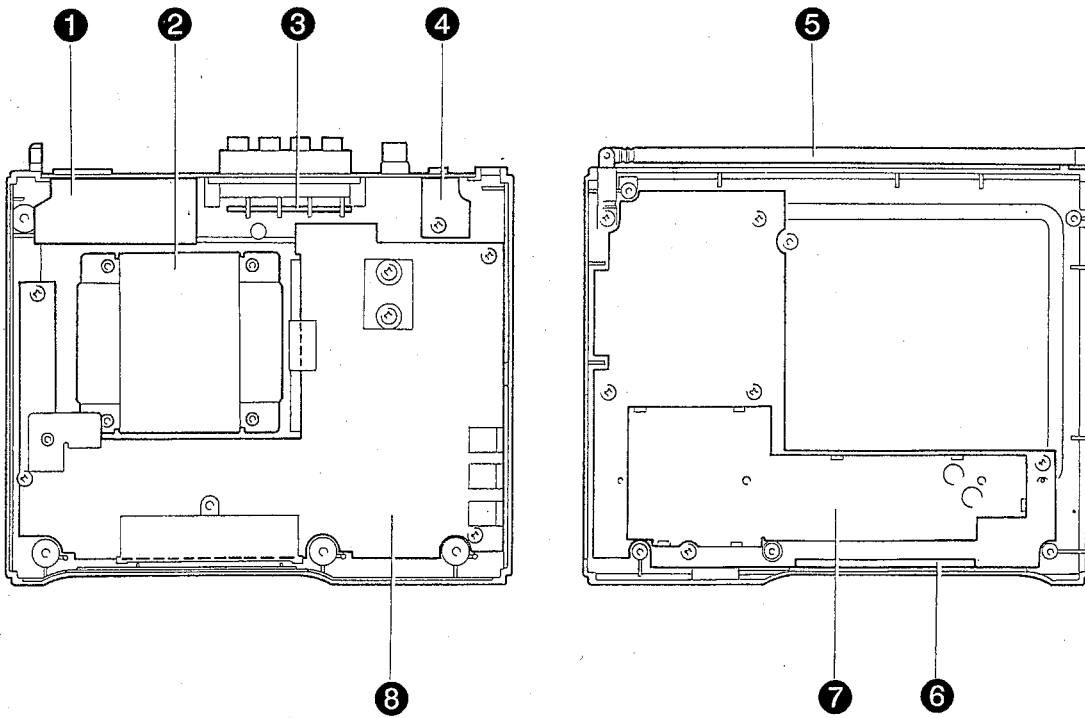


Unit: mm (inch)



Unit: mm (inch)

INTERNAL VIEW



- ① MAIN CIRCUIT BOARD (2)
- ② POWER TRANSFORMER
- ③ TUNER CIRCUIT BOARD (2)
- ④ MAIN CIRCUIT BOARD (3)

- ⑤ ANTENA
- ⑥ LCD DISPLAY
- ⑦ TUNER CIRCUIT BOARD (1)
- ⑧ MAIN CIRCUIT BOARD (1)

DISASSEMBLY PROCEDURES

1. Removal of Top Cover

- a. Remove 6 screws (①) in Fig.1.
- b. Open the Top Cover back

2. Removal of Rear Panel

- a. Remove 2 screws (②) in Fig.1.
- b. Remove 1 screw (②) in Fig.1.

3. Removal of Bottom of Cover

- a. Remove 5 screws (③) in Fig.1.

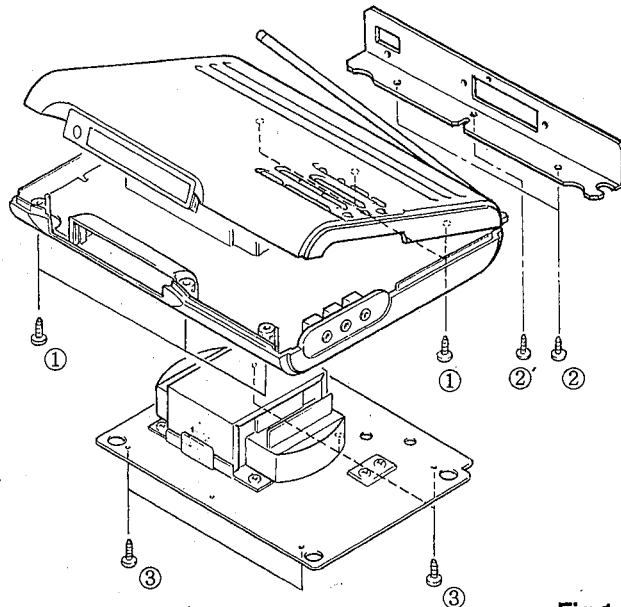


Fig.1

ADJUSTMENTS

1. Before Adjustments

•Separate between the main circuit board and the tuner circuit board. At this time, connect the connectors (#2 and #3) by their corresponding specified extension cords.

	PH connector ass'y	Length
# 3 (3P)	VB708800 or VB708900	220mm 250mm
# 2 (9P)	VB719000	200mm

•With no load (no connection to the speaker terminal), perform the ageing operation for 5 minutes after power ON.

•Connect SG(signal generator) to antenna terminals (FM and AM).

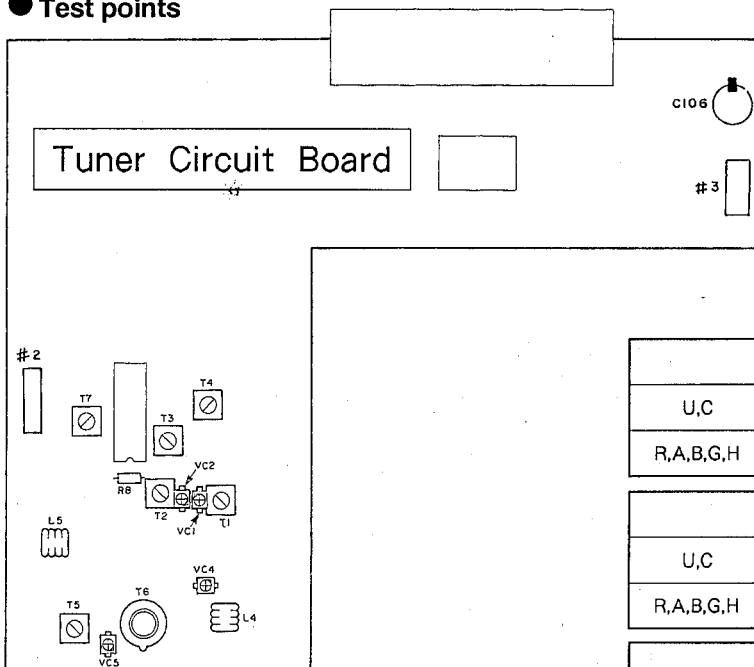
•Connect AF measuring equipment (distortion meter, oscilloscope, level meter) to output terminals.

2. Supply voltage check

•Check that specified voltages appear at the respective terminals of the tuner.

Terminal	Voltage	Measuring
+ 10V	+ 10V ± 0.5V (U,C)	DCVM
	+ 8.6V ± 0.5V(R,A,B,G,H)	
- 10V	- 9V ± 0.5V	
+ 5.7V	+ 5.7V ± 0.5V	

● Test points



● Maker preset

•Plug out the power cord to turn the power OFF.

In this situation, once short across C106 to discharge.

After that, when the power is turned On, station frequencies are preset as follows:

	P1	P2	P3	P4	P5	P6
U,C	87.5MHz	90.1MHz	95.1MHz	98.1MHz	101.5MHz	107.9MHz
R,A,B,G,H	87.5MHz	90.1MHz	95.1MHz	98.1MHz	101.5MHz	108.0MHz

	P7	P8	P9	P10	P11	P12
U,C	88.1MHz	106.1MHz	630KHz	1080KHz	1440KHz	530KHz
R,A,B,G,H	88.1MHz	106.1MHz	630KHz	1080KHz	1440KHz	531KHz

	P13	P14	P15	P16	P17	P18
U,C	1710KHz	1000KHz	800KHz	1400KHz	630KHz	1440KHz
R,A,B,G,H	1611KHz	999KHz	801KHz	1404KHz	630KHz	1440KHz

ADJUSTMENT

● FM Tuner Section(Use an L.P.F.)

Step	Adjustment item	Connection terminal	Necessary measuring equipment	Adjustment point (s)	Adjustment method	Standard (target value)
1	Antenna RF sensitivity	ANT OUTPUT	FM SG, ST SG, oscillator, distortion meter, oscilloscope	VC4,5 L4,T6	Adjust VC4 and VC5 so that the sensitivity is maximized at 106MHz. Adjust L4 and VC5 so that the sensitivity is maximized at 88MHz.	Less than 4dB μ (2dB μ)
2	Discriminator balance	Voltage across ANT R8	Digital voltmeter	T7	Adjust T7 so that the voltage across R8 is 0 + / - 50mV.	Tuning point
3	Monaural distortion	ANT OUTPUT	70dBμ, 830MHz, Monaural (98.1MHz) 100Hz / 100% mod., Stereo (L-R) 1kHz / 100% mod.			Less than - 33dB

4	Stereo distortion	ANT OUTPUT	Stereo (L or R) 1kHz/100% mod.	T5	Adjust T5 so that the distortion is minimized.	Less than -30dB
5	Monaural distortion		Monaural 1kHz/ 100% mod.		Check that the monaural distortion is within the standard value.	Less than -33dB
6	Separation		Stereo (L and R) 1kHz/100% mod.			Less than 28dB
7	Auto tuning	ANT	Antenna input 26dB μ . 1kHz/30% mod.	Tuning button	Auto tuning should be feasible by the tuning switch.	

● AM Tuner Section

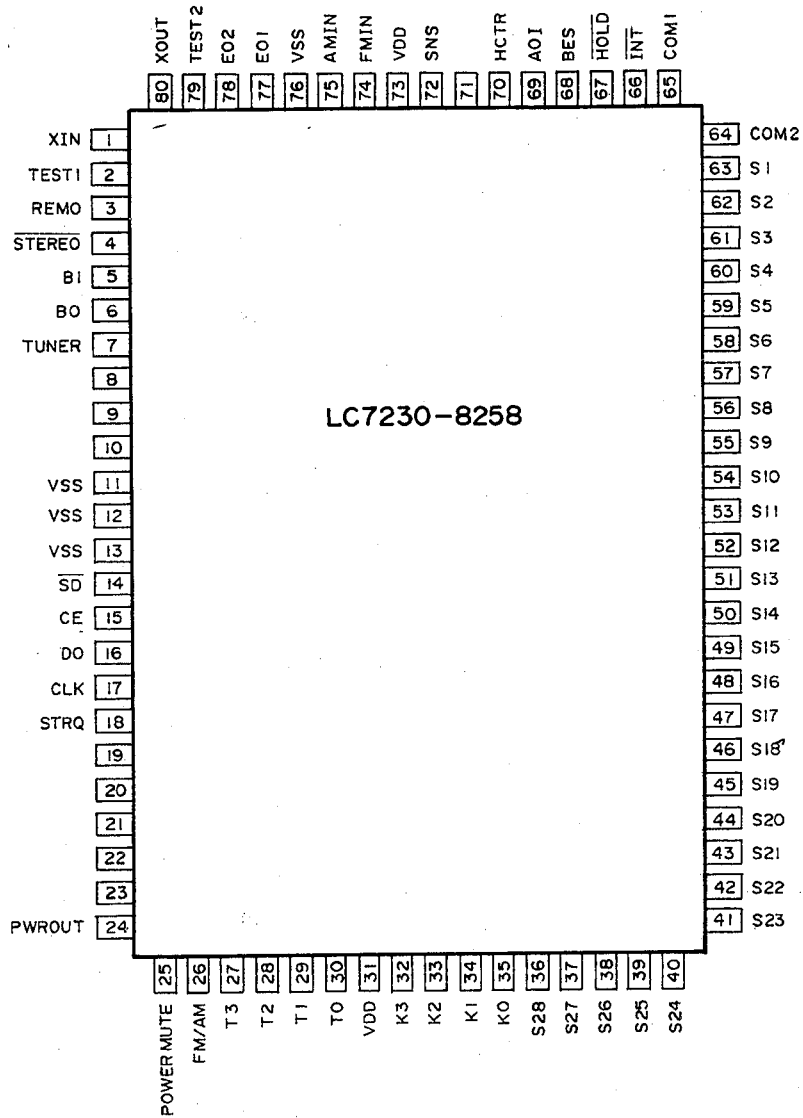
Step	Adjustment item	Connection terminal	Necessary measuring equipment	Adjustment point (s)	Adjustment method	Standard (target value)
1	RF sensitivity	AM ANT,GND OUTPUT	AM SG, dummy antenna, oscilloscope, distortion meter	VC1,2 T1,2	Tune in to 1,440kHz and adjust VC1 and VC2 so that the sensitivity is maximized. Next, tune in to 630kHz and adjust T1 and T2 so that the sensitivity is maximized.	
2	Sensitivity and IFT Adjustment		400Hz/30% mod.	P9 P10 P11	Adjust T4 so that the output is maximized.	
3	Auto tuning		Antenna input 60 dB μ	Tuning button	Auto tuning should be feasible by the tuning switch.	

● Digital Control Section

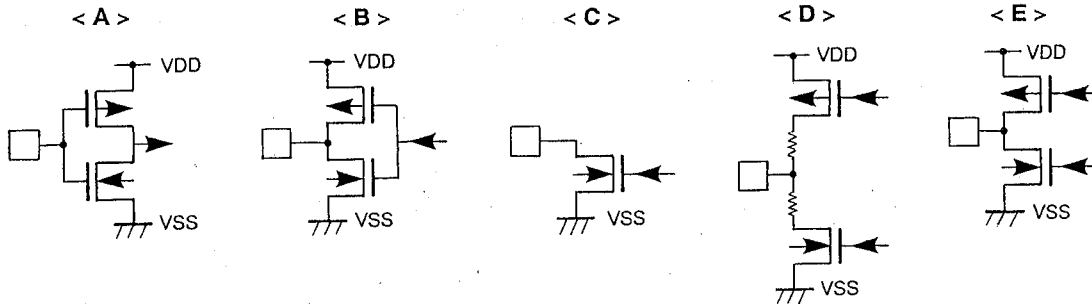
Step	Item	Method	Standard
1	Preset	<p>1.Tune in to FM 83 (98.1) MHz and memorize it to P1.</p> <p>2.Tune in to AM 1080Hz and memorize it to P2.</p> <p>3.Press P1 and P2 and check that their contents are thereby recalled.</p> <p>4.Memorize the contents of P2 to P9.</p> <p>5.After pressing a preset button other than P9 once, press P9 and check that its contents are thereby recalled.</p>	<p>Press a memory switch → the memory indicator flashes. (P)</p> <p>Press P1 → the memory indicator stops flashing. (P1 lights.)</p> <p>Press a memory switch → the memory indicator flashes. (P)</p> <p>Press P2 → the memory indicator stops flashing. (P2 lights)</p> <p>P1 and P2 each light.</p> <p>Press a memory switch → the memory indicator flashes.</p> <p>Call P9 and press a memory switch → the memory indicator stops flashing. (P9 lights.)</p>
2	Last station memory	<p>1.Recall the preset contents.</p> <p>2.Set the power switch to OFF.</p> <p>3.Set the power switch to ON after five seconds.</p> <p>4.The preset contents should be displayed.</p>	(P1 lights.)
3	Remote control function	Accessory exclusive remote control	Reach of more than 7m (in location free from disturbance)
4		A factory setting of rear panel switch is to the 9KHz side.(Only for destination R)	

■ IC BLOCK

IC3 : LC7230-8258

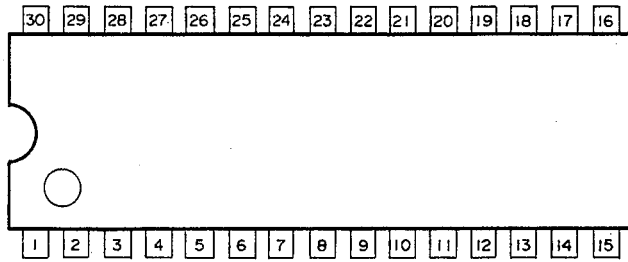
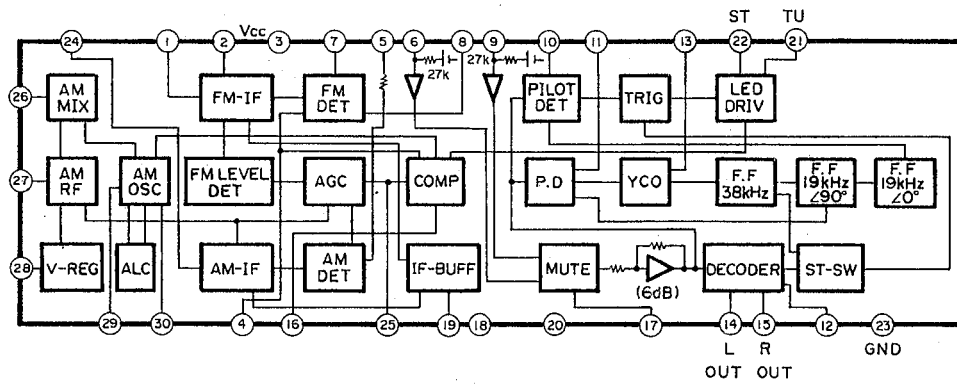


※ I/O Format

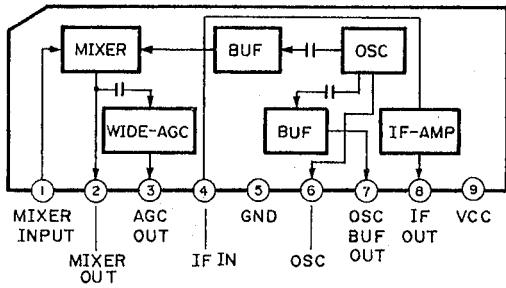


Pin name	No.	Description	Active mode	I/O	※
XIN	1	Pins to connect the 4.5MHz crystal oscillator.	-	I	-
XOUT	80				
TEST1	2	Connected to VSS.	-	O	-
TEST2	79				
REMO	3	Remote control input pin, which is connected together with INT and which is, when remote control is not used, pulled up to VDD through a resistor.	L	I	A
STEREO	4	"ST" lights on LCD at "L" of the STEREO signal.	L	I	A
B1	5	Destination selection	H	I	C
B0	6				
TUNER MUTE	7	Tuner mute signal	H	O	B
VSS	11~13,76	Power supply pin, connected to GND	-	-	-
\overline{SD}	14	When auto tuning, notifies that the broadcasting station frequency is received.	H	I	B
CE	15	LC7535/LC3821 serial data line	H	O	B
DO	16		H		
CLK	17		L/H		
STRQ	18	Signal for IF signal output	H	O	B
PWR OUT	24	Power control pin	H	O	B
POWER MUTE	25	At power ON, necessarily "L". When the power is ON, each time the mute key is pressed, the "H"/"L" toggle action is made.	H	O	B
FM/AM	26	Each band power selection	L	O	C
T3	27	Key scan output signals	H	O	B
T2	28				
T1	29				
T0	30				
VDD	31,73	Power supply pin, connected to +5V	-	-	-
K3	32	Key input signals	H	I	C
K2	33				
K1	34				
K0	35				
S28 ~ S1	36 ~ 63	LCD segment driver pins	-	O	B
COM2	64	LCD common pin driver pins	-	O	D
COM1	65				
\overline{INT}	66	Remote control input pin, connected together with REMO	H/L	I	A
\overline{HOLD}	67	The backup mode is entered at "L". Chatterings of about 20 msec are removed.	L	I	A
\overline{RES}	68	Connected to VDD	-	-	-
AOI	69	Connected to VSS	-	-	-
HCTR	70	AM/FM IF signal input pin	-	I	A
SNS	72	When this pin becomes "L", data is sent to LC7821/LC7535. Chatterings of about 20 msec are removed.	H	I	A
FMIN	74	Local OSC input from FM VCO	-	I	A
AMIN	75	Local OSC input from AM VCO	-	I	A
EO1,2	77,78	Phase comparison output signal	-	O	E

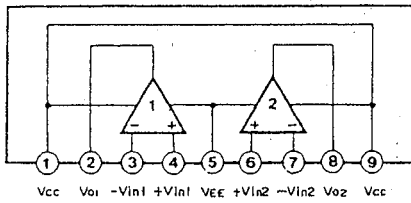
IC1 : LA1851N



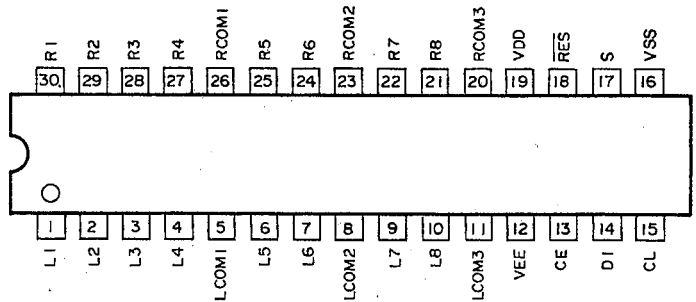
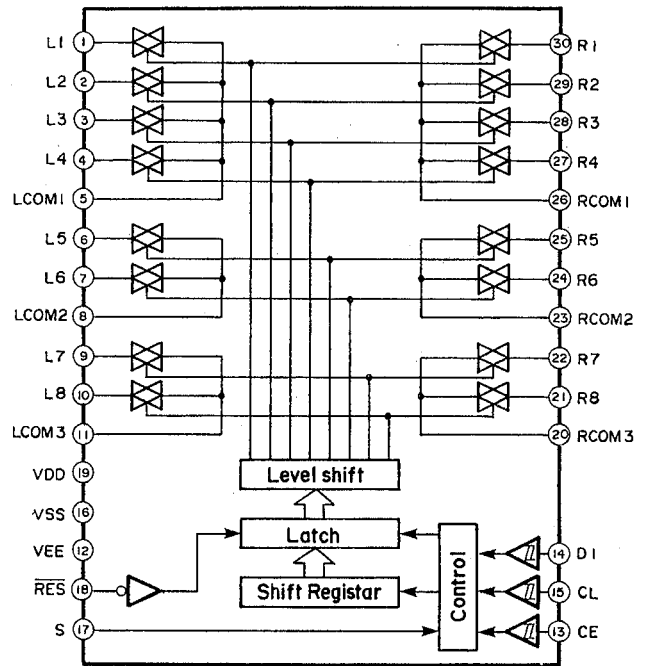
IC2 : LA1177



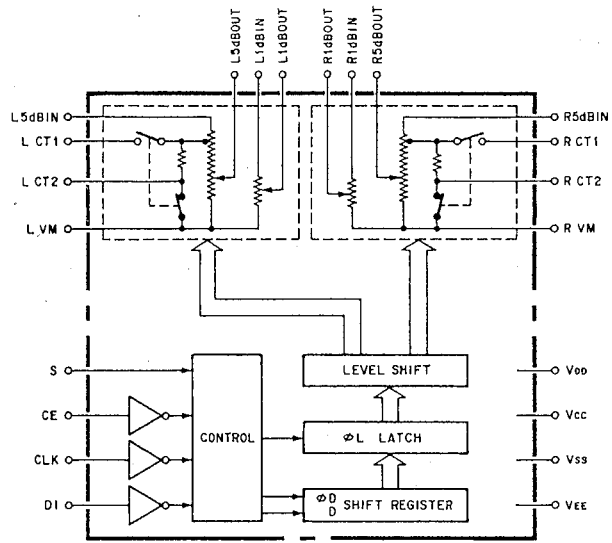
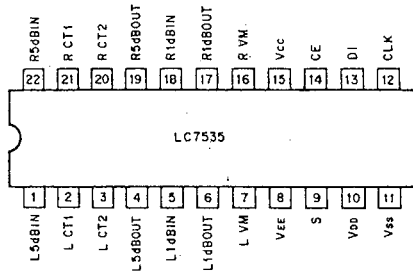
IC202,204 : μ PC4570HA



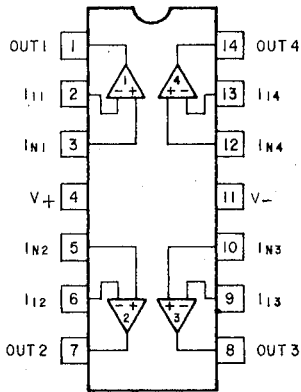
IC201 : LC7821N



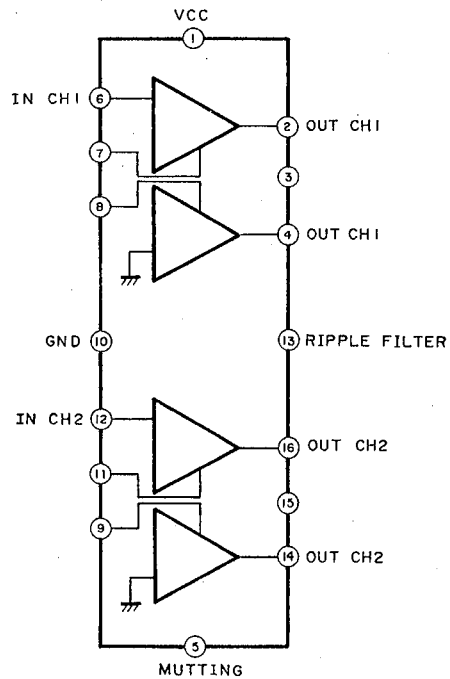
IC203 : LC7535



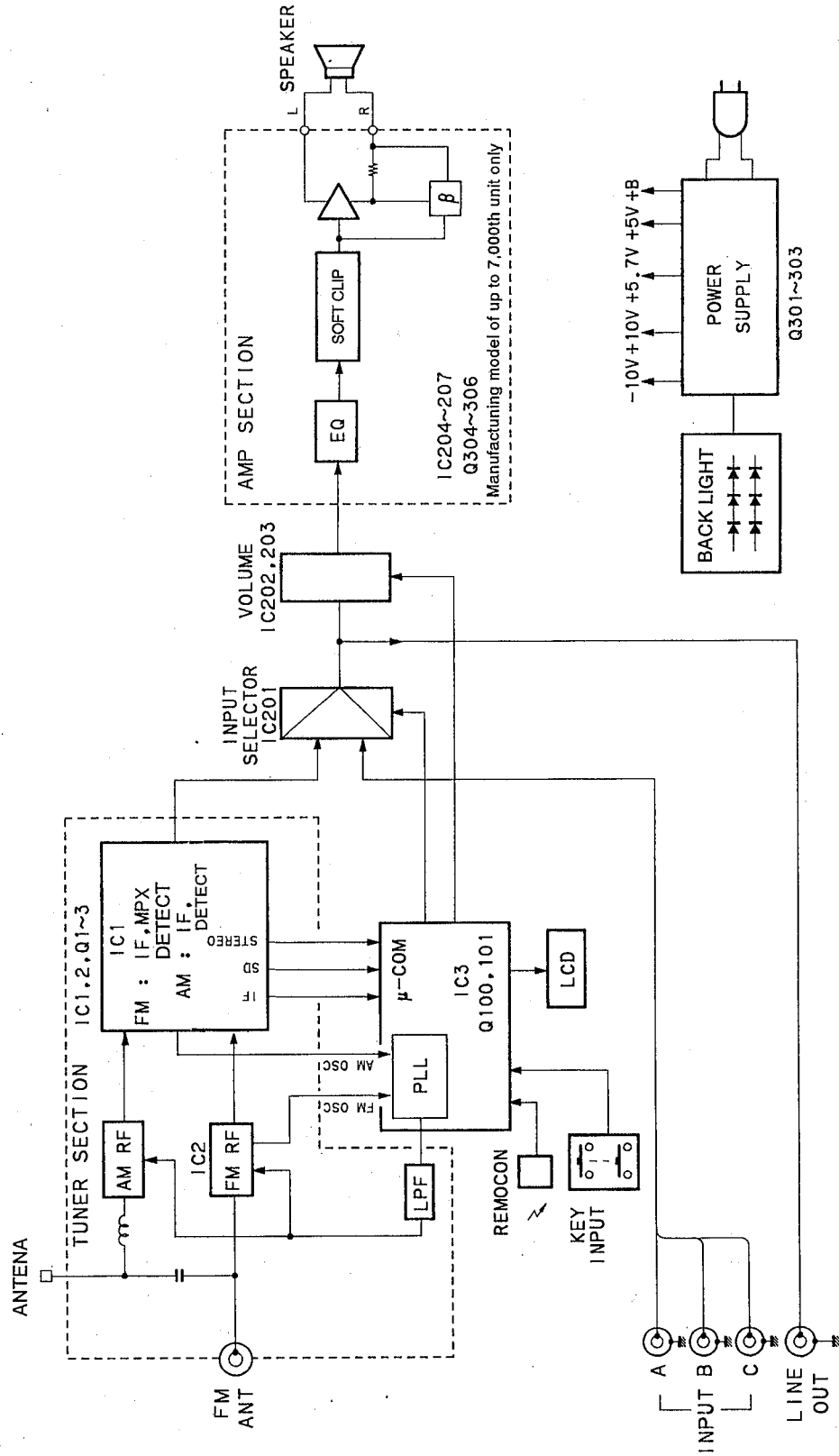
IC205,206 : μ PC4574C



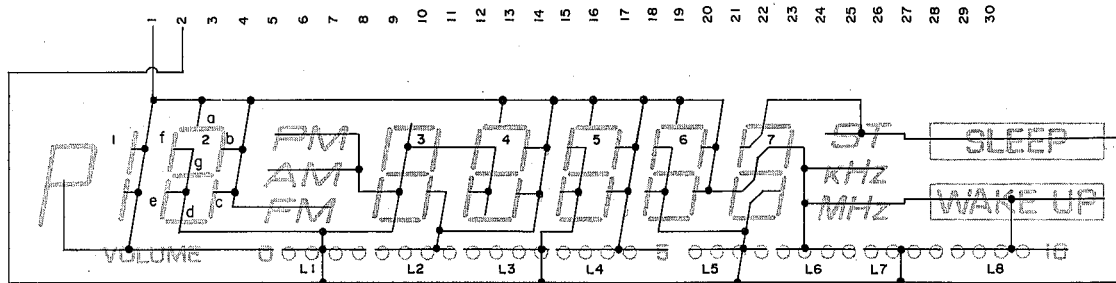
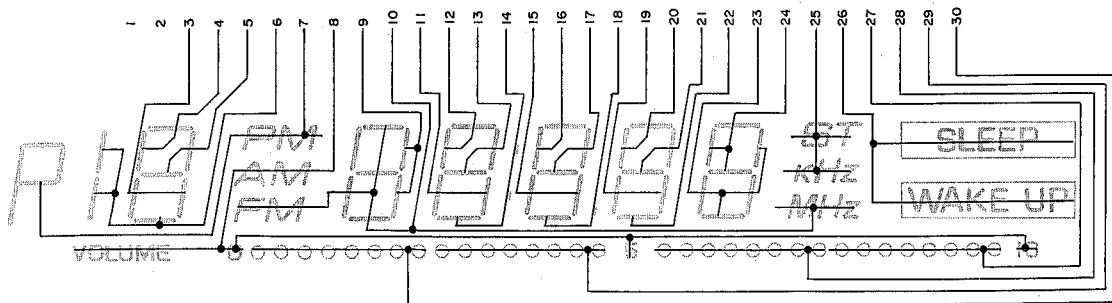
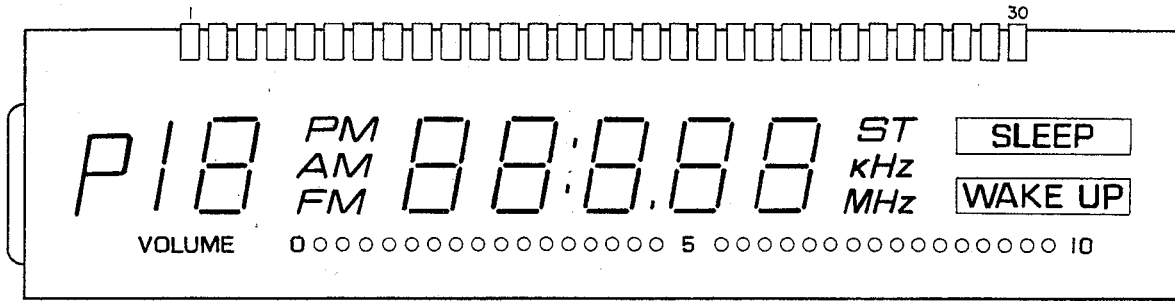
IC207 : AN7188K



■ BLOCK DIAGRAM



■ LCD DATA



No.	1	2	3	4	5	6	7	8	9	10	11	12	13	14	15
COM1	-	COM	2e	2f	2g	2d	PM	AM	3b	3adeg	4e	4f	4g	4d	5e
COM2	COM	-	2c	2a	2b	1bc	P	VOLUME 0,5,10	3c	FM MHz	4c	4a	4b	COL	5c

No.	16	17	18	19	20	21	22	23	24	25	26	27	28	29	30
COM1	5f	5g	5d	6e	6f	6g	6d	7cd	7af	ST	SLEEP	L7	L5	L3	L1
COM2	5a	5b	DP1	6c	6a	6b	-	7be	7g	KHz	WAKE UP	L8	L6	L4	L2

YST-7

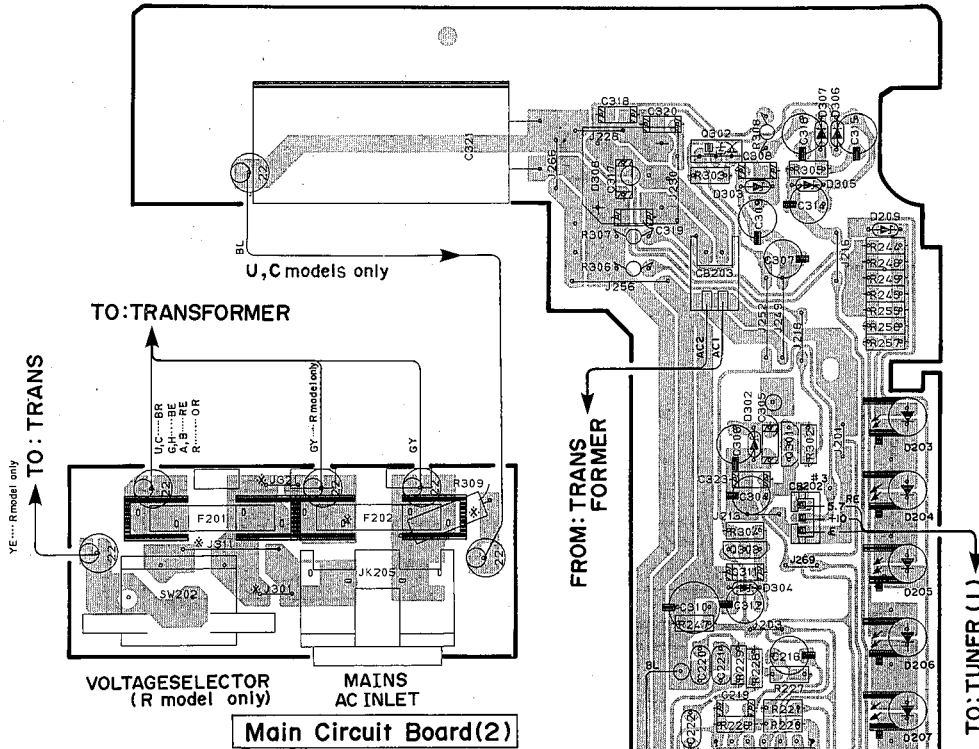
YST-7

PRINTED CIRCUIT BOARD(Pattern side)

Manufacturing model of up to 7,000th unit

Those of which microprocessor part number used
reelatis as IC3 is XG693A0 are relative.

Main Circuit Board(1)

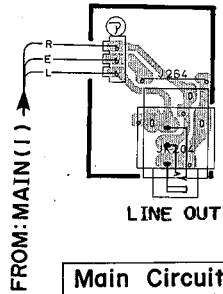
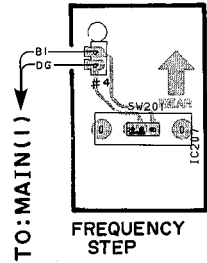


TO: TUNER(2)

TO: MAIN(3)

FROM: MAIN(4)
(R model only)

**R model only
Main Circuit Board(4)**



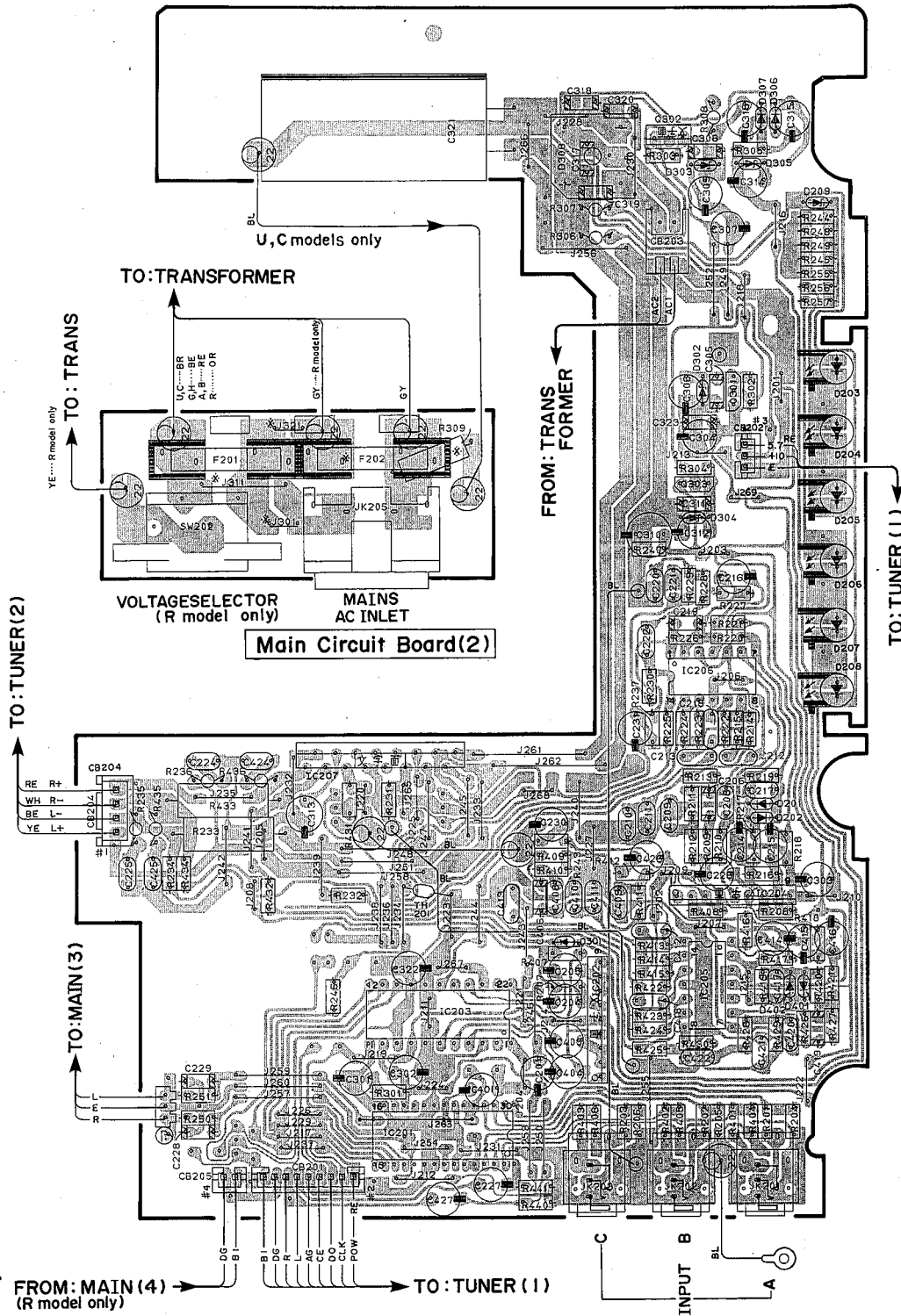
Notes) ※ marked

	J	U,C	R	A,B,G,H
R309	OPEN	FIXED	OPEN	OPEN
J301	SHORT	SHORT	OPEN	SHORT
J311	OPEN	OPEN	SHORT	OPEN
J321	SHORT	SHORT	OPEN	OPEN
F202	OPEN	OPEN	FIXED	OPEN

Manufacturing model of 7;001st unit and up

Those of which microprocessor part number used relative as IC3 is XG693B0 are relative.

Main Circuit Board(1)



YST-7

A

B

C

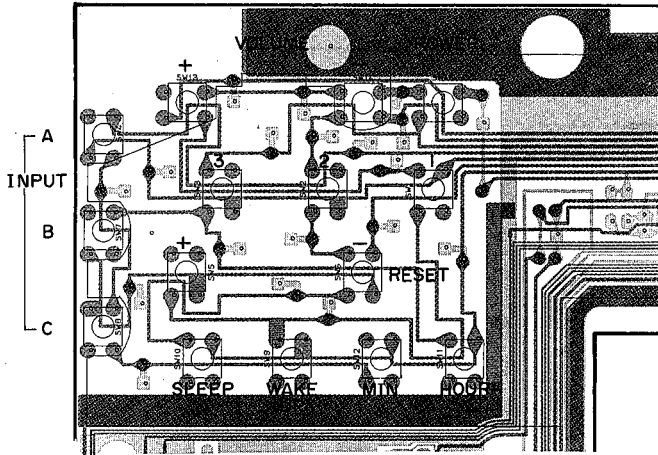
D

YST-7

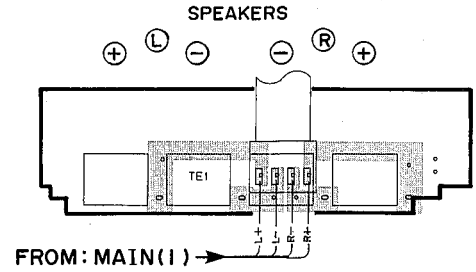
Manufacturing model of up to 7,000th unit

Those of which microprocessor part number used rerelasi as IC3 is XG693A0 are relative.

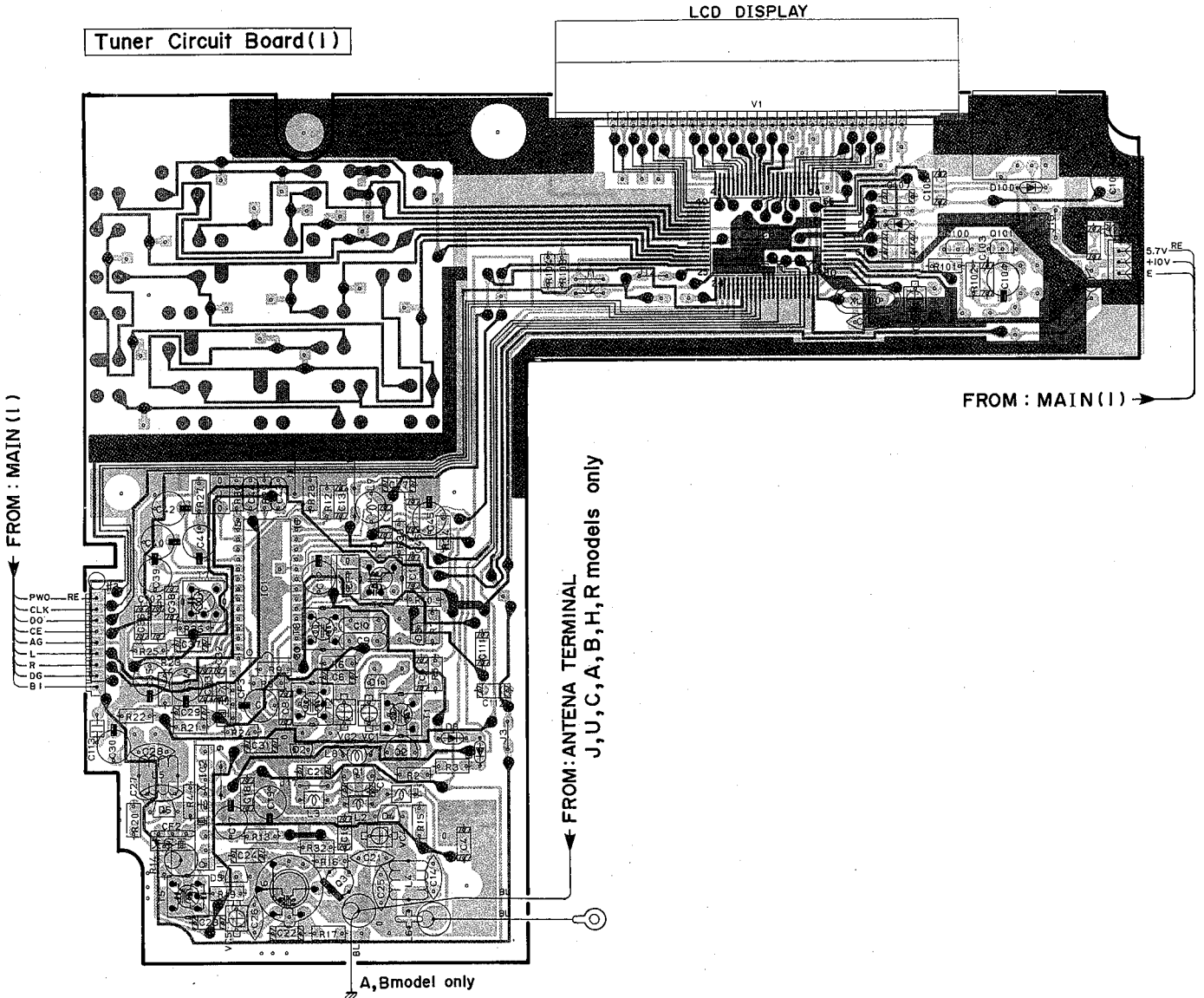
Tuner Circuit Board (1)



Tuner Circuit Board (2)

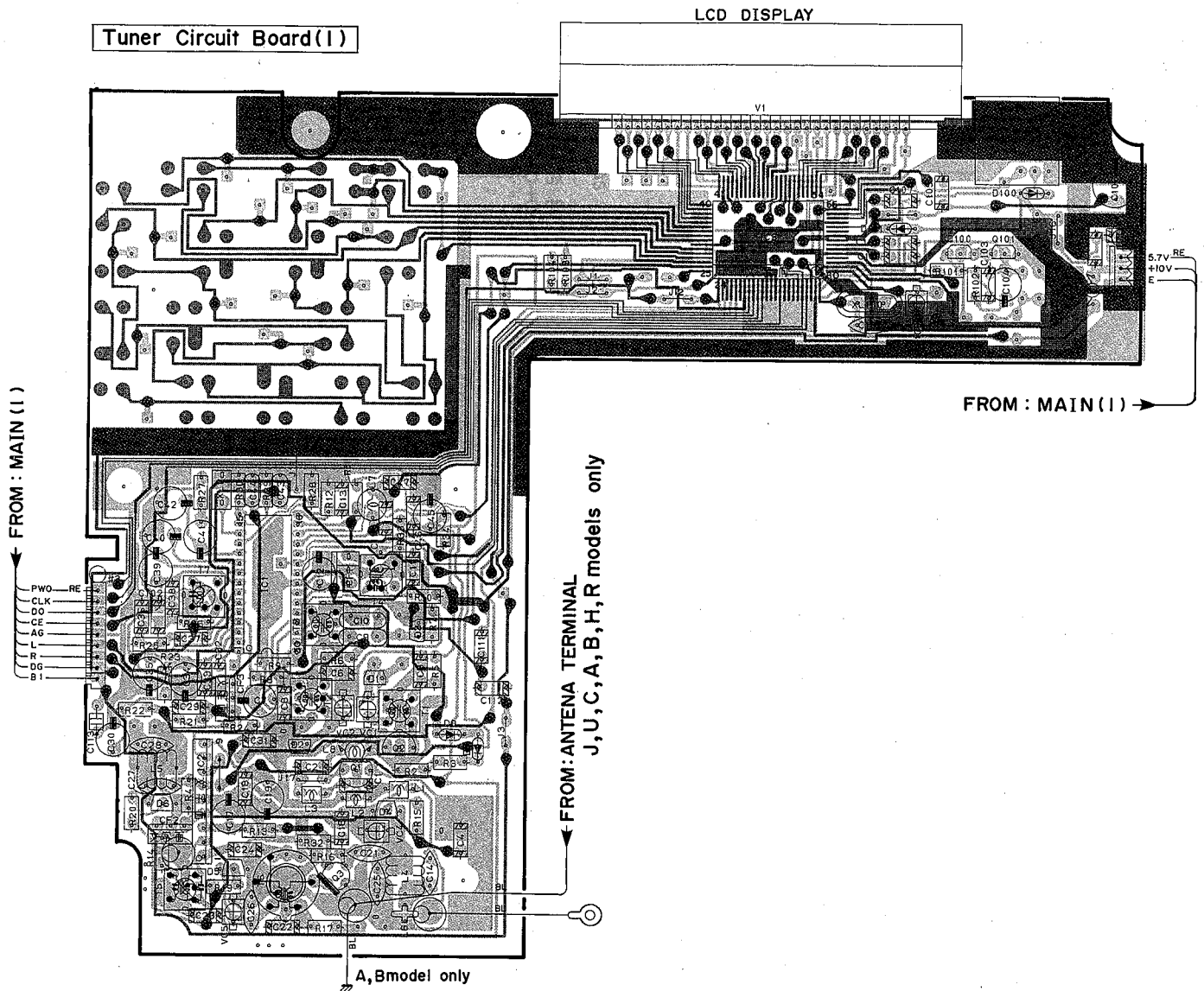


Tuner Circuit Board (1)



Manufacturing model of 7,001st unit and up

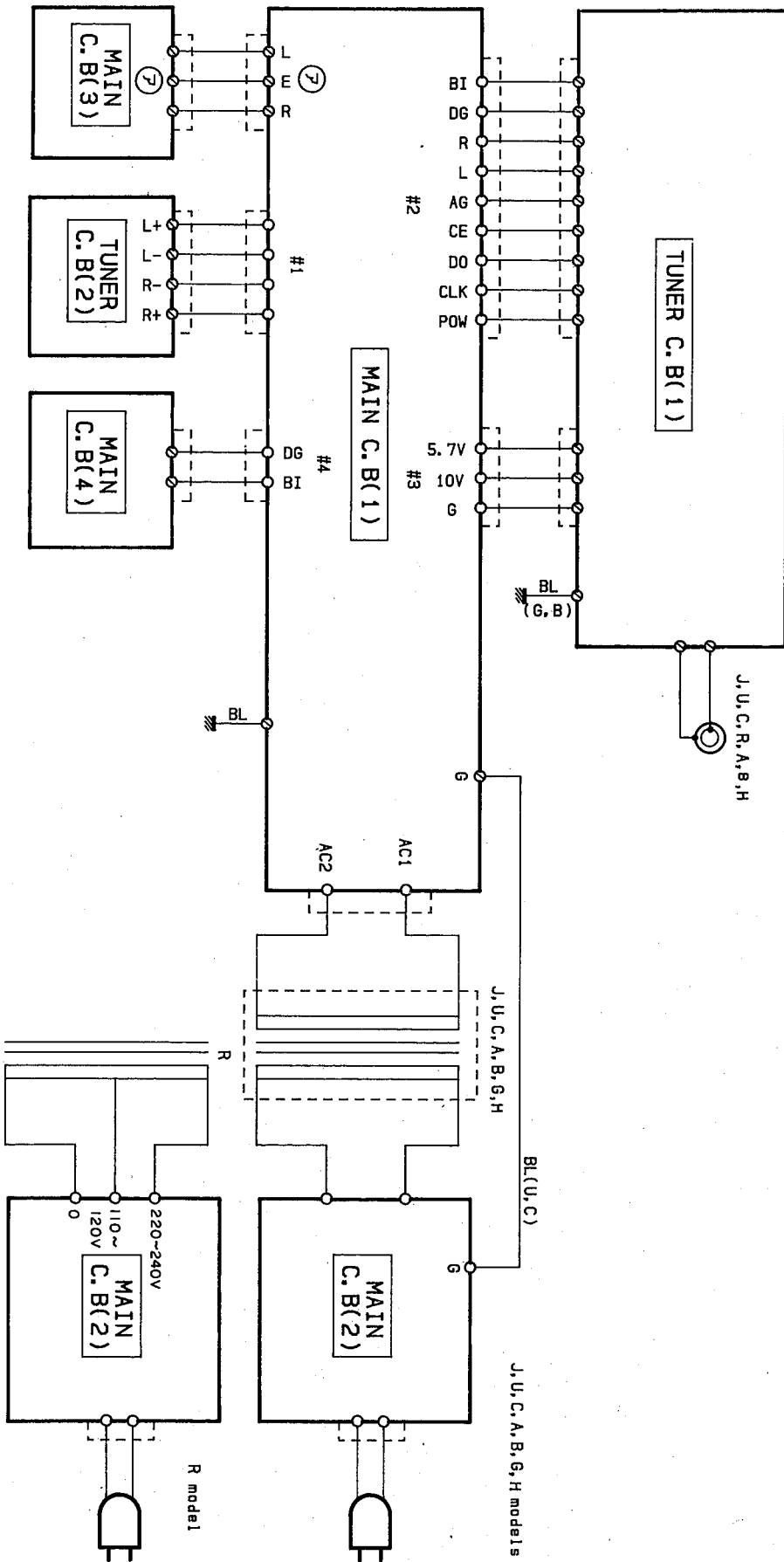
Those of which microprocessor part number used relative as IC3 is XG693B0 are relative.



● Change from XG693A0 to XG693B0 involves the modification as shown on the table below.

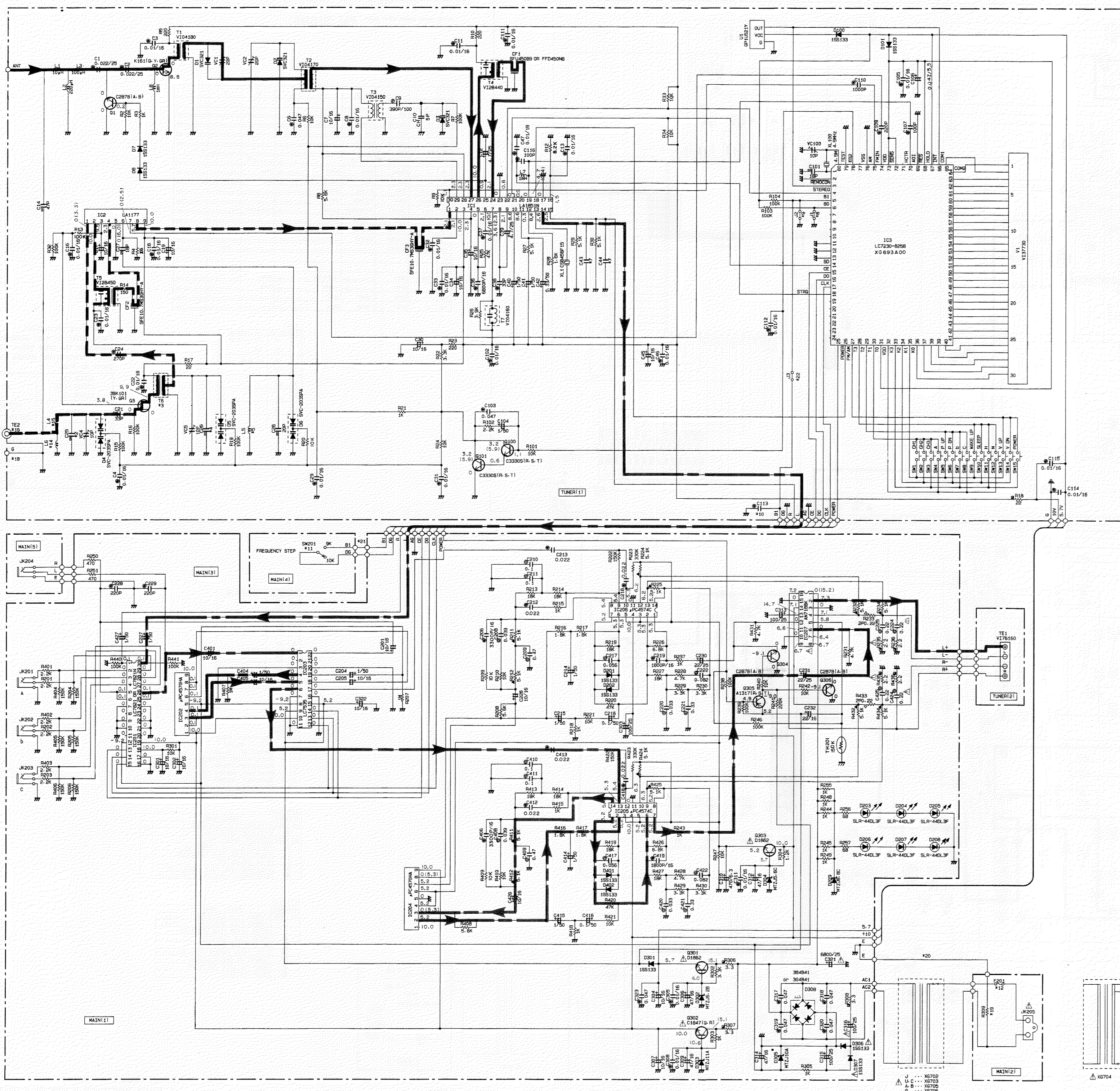
MAIN CIRCUIT BOARD	XG693A0	XG693B0
	Q304	FIXED
Q305	"	"
Q306	"	"
R238	"	"
R239	"	"
R240	"	"
R241	"	"
R242	"	"
C232	"	"
C401		REMOVAL
J236	FIXED	OPEN
J238	"	"
J254		REMOVAL
TUNER CIRCUIT BOARD	J12	REMOVAL
	J15	CHANGE to R31

■ WIRING



SCHEMATIC DIAGRAM

Manufacturing model of up to 7,000th unit Those of which microproron part nunumber used rerelatisi as IC3 is XG693A0 are relative.



AM SIGNAL FM SIGNAL

Portion needs the modification concurrently with change from XG693A0 to XG693B0 Refer to the circuit diagram occurring on the rear.

Table with columns J, R, U, C, A, B, G and rows 13-22 listing component values and specifications for different models.

TUNER table with columns LAST NO., IN LISTED NO., and rows C, R, D, IC.

• Servicing precaution Parts differ between destination A,B,G and R as shown on the table below. The modification in the power transformer entails modifications in other parts as well.

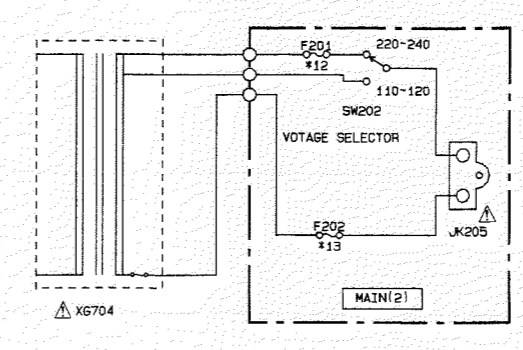
Table with columns XG704 (R), XG705 (A,B), XG706 (G), A0, and B0 listing component values for different destinations.

MAIN table with columns LAST NO., IN LISTED NO., and rows C, R, G, D, IC.

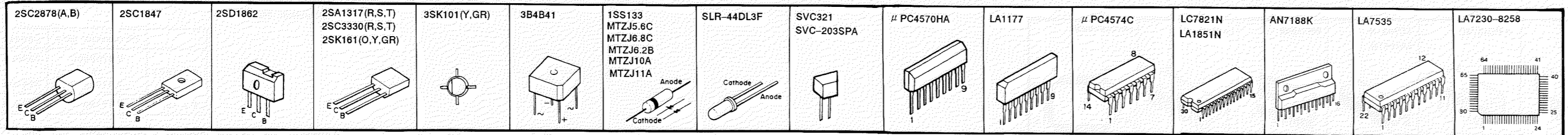
NOTICE (J)..... Japanese model (U)..... U.S.A model (C)..... Canadian model (A)..... Australian model (G)..... European model (B)..... British model (R)..... General model (P)..... RP model

CAPACITOR table with columns REMARKS, PARTS NAME, and rows for electrolytic, tantalum, polyester, polyethylene, mica, and semiconductor ceramic capacitors.

RESISTOR table with columns REMARKS, PARTS NAME, and rows for carbon film, metal oxide film, metal film, metal plate, fire proof carbon film, semit, and chip resistors.



PIN CONNECTION DIAGRAM OF TRANSISTORS, DIODE AND ICs.



• Voltage Measurement Method 1. A voltage measurement is made by a voltmeter whose internal resistance is 10M - ohms. 2. Indicated voltage values are measurements in the FM/AM mode. (where no distinction is made between FM and AM, a voltage value is the same between them.) 3. When measuring, connect between the main circuit board and the tuner circuit board (by connectors #2 and #3) by specified extension cords.

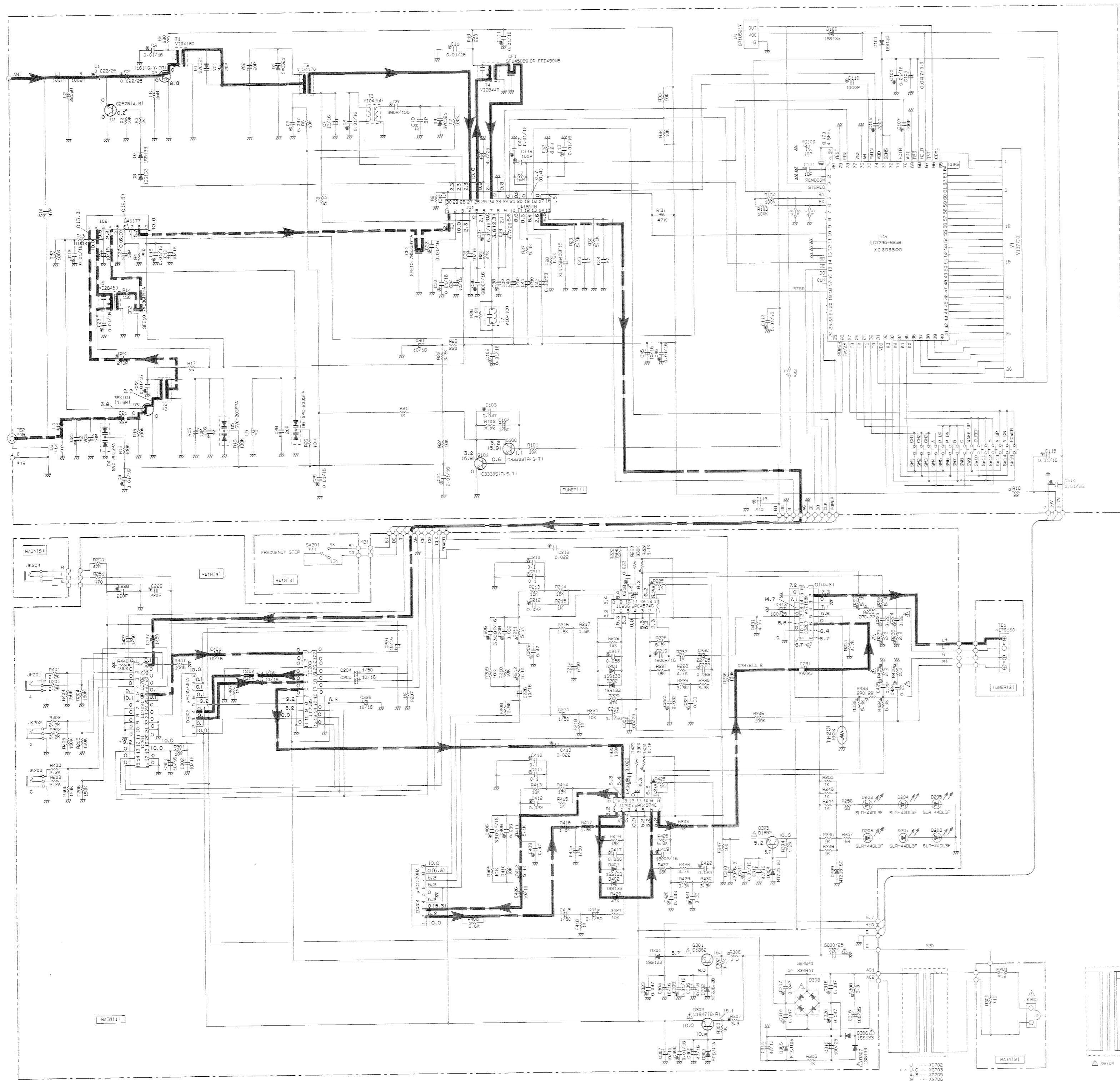
Table with columns PH connector ass'y and Length, listing values for #3 (3P) and #2 (9P) connectors.

• Components having special characteristics are marked Δ and originally installed. • Schematic diagram is subject to change without notice.

SCHEMATIC DIAGRAM

Manufacturing model of 7,001st unit and up

Those of which microprorssn part number used rereletasi as IC3 is XG693B0 are relative.



— AM SIGNAL
- - - FM SIGNAL

NO	U	D	U	C	A	B	S
42	C25	12P	TP				
43	T6	V124190	V124205				
44	C26	50P	12P				
45	L5	V124145	V124115				
46	R4	10K					4.7K
47	C43-44	0.01/16	0.015				0.01/16
48	J1	SHORT	OPEN				SHORT
49	J2	SHORT	OPEN				SHORT
50	C13	OPEN	0.1/16				OPEN
51	SW21	OPEN	V17360				OPEN
52	F201	14220V	1500A250V	14220V			T312H435V
53	F202	OPEN	1.2A250V				OPEN
54	L6	V166580	V166730				
55	L4	V166590	V166740				
56	T2	V172970					OPEN
57							
58							
59	R309	OPEN		1/20K 2W			OPEN
60		OPEN					OPEN
61		OPEN	SHORT				OPEN
62	J3	OPEN	SHORT				OPEN

TUNER

LIST NO.	UN. LISTED NO.
C 47	4-5-10-15-20
R 104	100
R 104	11-10-31
G 101	1
D 101	1
IC 2	2

• Servicing precaution
Parts differ between destination A,B,G and R as shown on the table below. The modification in the power transformer entails modifications in other parts as well.

	A0	B0
XG704 (R) XG705 (A,B) XG706 (G)	A0	B0
Q302	VC218800 2SC1847 (Q,R)	V1206100 2SD2136 (Q,R)
D303	VG439800 MTZJ11A	VG439400 MTZJ10A
R305	HF866100 1K Ω	HF866470 470 Ω
R18	HV454220 22	SHORT

MAIN

LIST NO.	UN. LISTED NO.
C 252	
C 253	
R 207	
R 209	
R 441	
D 306	
D 308	
D 309	
IC 207	

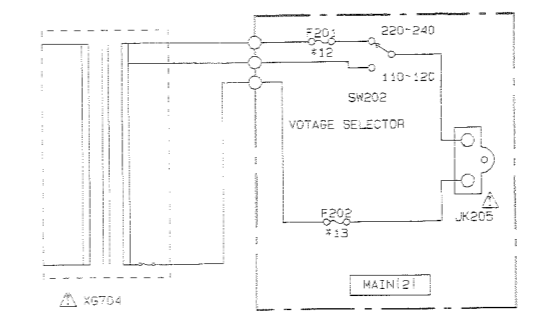
NOTICE
(J)..... Japanese model
(U)..... U.S.A model
(C)..... Canadian model
(A)..... Australian model
(G)..... European model
(B)..... British model
(R)..... General model
(P)..... PD model

CAPACITOR

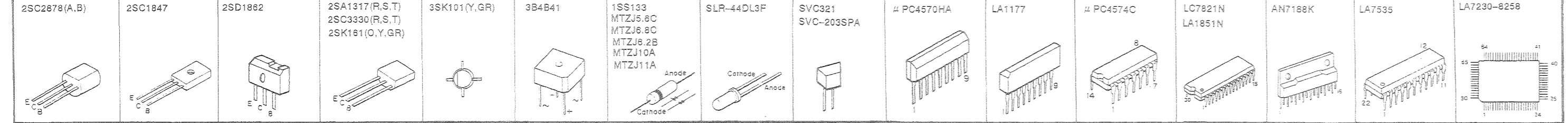
REMARKS	PARTS NAME
NO MARK ELECTROLYTIC CAPACITOR	□
NO MARK CERAMIC CAPACITOR	○
NO MARK POLYESTER FILM CAPACITOR	◇
NO MARK POLYPROPYLENE FILM CAPACITOR	◇
NO MARK MICA CAPACITOR	◇
NO MARK POLYIMIDE FILM CAPACITOR	◇
NO MARK SEMICONDUCTIVE CERAMIC CAPACITOR	◇

RESISTOR

REMARKS	PARTS NAME
NO MARK CARBON FILM RESISTOR (1/4W)	□
NO MARK CARBON FILM RESISTOR (1/2W)	□
NO MARK METAL OXIDE FILM RESISTOR	△
NO MARK METAL FILM RESISTOR	△
NO MARK METAL PLATE RESISTOR	△
NO MARK HIGH POWER CARBON FILM RESISTOR	△
NO MARK CEMENT MOUNTED RESISTOR	△
NO MARK SEMI VARIABLE RESISTOR	◇
NO MARK TAP RESISTOR	◇



PIN CONNECTION DIAGRAM OF TRANSISTORS, DIODE AND ICs.




• Voltage Measurement Method
1. A voltage measurement is made by a voltmeter whose internal resistance is 10M-ohms.
2. Indicated voltage values are measurements in the FM/AM mode. (where no distinction is made between FM and AM, a voltage value is the same between them.)
3. When measuring, connect between the main circuit board and the tuner circuit board (by connectors #2 and #3) by specified extension cards.

PH connector ass'y	Length
# 3 (3P) VB708800 or VB708900	220mm
# 2 (2P) VB719000	200mm

• Components having special characteristics are marked Δ and originally installed.
• Schematic diagram is subject to change without notice.

PARTS LIST

■ WARNING

Components having special characteristics are marked  and must be replaced with parts having specifications equal to those originally installed.

YST-7

■ ELECTRICAL PARTS

● Carbon resistors (1/6W or 1/4W) are not included in the ELECTRICAL PARTS list. For the parts no. of the carbon resistors, refer to p. 28.

Ref. NO.	PART NO.	Description	部 品 名	Remarks	Markets	ランク
	V1057400	MAIN CIRCUIT BOARD	メインシート		J	
	V1057500	MAIN CIRCUIT BOARD	メインシート		U,C	
	V1057600	MAIN CIRCUIT BOARD	メインシート		R	
	V1057700	MAIN CIRCUIT BOARD	メインシート		A,B,H	
	V1057800	MAIN CIRCUIT BOARD	メインシート		G	
	V1540600	MYLAR FILM CAP	0.033 μ F 50V	マイラーコン	C220, 420	
	V1540400	MYLAR FILM CAP	0.022 μ F 50V	マイラーコン	C212, 213, 218, 412, 413,	418
	V1541100	MYLAR FILM CAP	0.082 μ F 50V	マイラーコン	C222, 422	
	V1541600	MYLAR FILM CAP	0.22 μ F 50V	マイラーコン	C224, 225, 424, 425	
	V1540700	MYLAR FILM CAP	0.039 μ F 50V	マイラーコン	C208, 408	
	V1540900	MYLAR FILM CAP	0.056 μ F 50V	マイラーコン	C217, 417	
	V1541200	MYLAR FILM CAP	0.1 μ F 50V	マイラーコン	C210, 211, 410, 411	
	V1541800	MYLAR FILM CAP	0.33 μ F 50V	マイラーコン	C221, 421	
	V1542000	MYLAR FILM CAP	0.47 μ F 50V	マイラーコン	C209, 409	
	VF467300	CERAMIC CAP	0.01 μ F 16V	円筒セラコン	C305, 308, 311	
	VG278400	CERAMIC CAP	220PF 50V	円筒セラコン	C228, 229	
	VG279600	CERAMIC CAP	3300PF 16V	円筒セラコン	C206, 406	
	VG279300	CERAMIC CAP	1800PF 16V	円筒セラコン	C219, 419	
	VI101300	CERAMIC CAP	0.047 μ F 50V	円筒セラコン	C317~320, 323	
	UM397100	ELECTROLYTIC CAP	10 μ F 16V	ケミコン	C201, 205, 226, 301, 302,	304, 307,
	UM397220	ELECTROLYTIC CAP	22 μ F 16V	ケミコン	322, 401, 405, 426	
	UM397470	ELECTROLYTIC CAP	47 μ F 16V	ケミコン	C232	
	UM057220	ELECTROLYTIC CAP	22 μ F 25V	ケミコン	C306, 309, 312, 314	
	UM415100	ELECTROLYTIC CAP	0.1 μ F 50V	ケミコン	C230, 231	
	UM076100	ELECTROLYTIC CAP	1 μ F 50V	ケミコン	C216, 416	
	UH148100	ELECTROLYTIC CAP	100 μ F 25V	ケミコン	C204, 214, 215, 227, 404,	414, 415
	UM308470	ELECTROLYTIC CAP	470 μ F 6.3V	ケミコン	427	
	VI095900	ELECTROLYTIC CAP	6800 μ F 25V	ケミコン	C303, 313, 315, 316	
	UV453220	FLAME PROOF RESISTOR	2.2 Ω 1/4W	不燃化カーボン抵抗	C310	
	UV453330	FLAME PROOF RESISTOR	3.3 Ω 1/4W	不燃化カーボン抵抗	C321	
	VH006500	METAL FILM RESISTOR	5.1K Ω 1/4W	金属皮膜抵抗	R235, 236, 435, 436	
	HL322220	METAL OXIDE RESISTOR	0.22 Ω 2W	酸化金属被膜抵抗	R306~308	
	XE536001	IC	LC7535	IC	R211, 212, 224, 225, 232,	234, 411,
	XB247301	IC	UPC4570HA	IC	412, 424, 425, 432, 434	
	XF971A00	IC	UPC4574C	IC	R233, 433	
	XG691A00	IC	AN7188K	IC	IC203	
	XG732A00	IC	LC7821N	IC	IC202, 204	
	V1436100	VOLTAGE SELECTOR	HXW1219-01-050	電圧切替器	IC205, 206	
	V1729600	SLIDE SWITCH	SSSG1-2-C	スライドSW	IC207	
	KB003230	FUSE	500mA 250V	ヒューズ	IC201	
	KB003000	FUSE	315mA 250V	ヒューズ	SW202	R
	VI573100	FUSE	1A	ヒューズ	SW201	R
	KB003130	FUSE	T1.5A 250V	ヒューズ	F201	R
	VI435500	MINI JACK	YKB21	ミニジャック 1P	F201	A, B, G, H
	VI042900	AC INLET	M1770-A	ACインレット	F201	J, U, C
	VI043000	AC INLET	M1779-A	ACインレット	F202	R
	LB919020	BASE PIN	XH 2P SE	ベースツキポスト	JK201~204	
					JK205	U, C
					JK205	JRABGH
					CB203	

* : New Parts (新規部品)

ランク : Japan only

Ref. NO.	PART NO.	Description	部 品 名		Remarks	Markets	ランク
	LB918040	BASE PIN	XH	4P TE	ベースツキポスト	CB204	
	VD004600	BASE PIN	PH	3P TE	ベースピン	CB302	
	VD004500	BASE PIN	PH	2P TE	ベースピン	CB205	R
	VD005200	BASE PIN	PH	9P TE	ベースピン	CB201	
	VC218700	TRANSISTOR	2SA1317 R,S,T		トランジスタ	Q305	
	iC287820	TRANSISTOR	2SC2878 A,B		トランジスタ	Q304, 306	
	VC218800	TRANSISTOR	2SC1847		トランジスタ	Q302	
	VC792300	TRANSISTOR	2SD1862		トランジスタ	Q301, 303	
	iF004600	DIODE	1SS133 T-77		ダイオード	D201, 202, 301, 306, 307	401, 402
	VI761800	DIODE BRIDGE	3B4B41		ダイオードスタック	D308	
	VG437800	ZENER DIODE	MTZJ5.6C 5.6V		ツェナーダイオード	D304	
	VG438000	ZENER DIODE	MTZJ6.2B 6.2V		ツェナーダイオード	D302	
	VG438400	ZENER DIODE	MTZJ6.8C 6.8V		ツェナーダイオード	D209	
	VG439400	ZENER DIODE	MTZJ10A 10V		ツェナーダイオード	D305	
	VG439800	ZENER DIODE	MTZJ11A 11V		ツェナーダイオード	D303	
	VI470400	LED	SLR-44DL3F		LED	D203~208	
	VI981000	THERMISTOR	ERT-D2Z1J154S		サーミスタ	TH201	
	VB966900	PIN	IMSA-6024		スタイルピン		
	LB201880	FUSE HOLDERPIN	PC-FH1		ヒューズホルダーピン		
	VI001800	RADIATOR			ラジエターSUB		
	EI330126	BIND HEAD TAPPING SCREW	3x12	ZMC2-BL	バインドタッピングネジ		
	VI058000	TUNER CIRCUIT BOARD			チューナーシート		J
	VI058100	TUNER CIRCUIT BOARD			チューナーシート		U, C
	VI058200	TUNER CIRCUIT BOARD			チューナーシート		R
	VI058300	TUNER CIRCUIT BOARD			チューナーシート		A
	VI058400	TUNER CIRCUIT BOARD			チューナーシート		G
	VI777400	TUNER CIRCUIT BOARD			チューナーシート		B, H
	UT452390	POLYPROPYLEN FILM CAP	390PF	100V	PPコン	C9	
	VF466800	CERAMIC CAP	100PF	50V	円筒セラコン	C107, 116	
	VF467000	CERAMIC CAP	1000PF	50V	円筒セラコン	C110	
	VF467300	CERAMIC CAP	0.01 μ F	16V	円筒セラコン	C3, 4, 8, 11, 13, 16, 18, 22, 23, 29, 31, 32, 33, 37, 46, 47, 102, 105	
	VF467300	CERAMIC CAP	0.01 μ F	16V	円筒セラコン	C113	R
	VF467300	CERAMIC CAP	0.01 μ F	16V	円筒セラコン	C43, 44	J, A, B, G, H
	FA154150	MYLAR FILM CAP	0.015 μ F	50V	マイラーコン	C43, 44	U, R, C
	VG277000	CERAMIC CAP	33PF	50V	円筒セラコン	C38	
	VG278400	CERAMIC CAP	220PF	50V	円筒セラコン	C109	
	VG278500	CERAMIC CAP	270PF	50V	円筒セラコン	C24	
	VG279900	CERAMIC CAP	6800PF	16V	円筒セラコン	C36	
	VI101300	CERAMIC CAP	0.047 μ F	50V	円筒セラ	C6, 103	
	VG280100	CERAMIC CAP	0.022 μ F	25V	セラコン	C1, 2	
	VA760900	CERAMIC CAP	18PF	50V	セラコン	C27, 101	
	VA760200	CERAMIC CAP	5pF	50V	セラコン	C10	
	VA761400	CERAMIC CAP	47PF	50V	セラコン	C14	
	VA761200	CERAMIC CAP	33PF	50V	セラコン	C21	
	VA760400	CERAMIC CAP	7PF	50V	セラコン	C25	UCRABGH
	VA760700	CERAMIC CAP	12PF	50V	セラコン	C25	J
	VI554700	CERAMIC CAP	20PF	50V	セラコン	C28	
	VA760700	CERAMIC CAP	12PF	50V	セラコン	C26	UCRABGH
	VA761000	CERAMIC CAP	22PF	50V	セラコン	C26	J



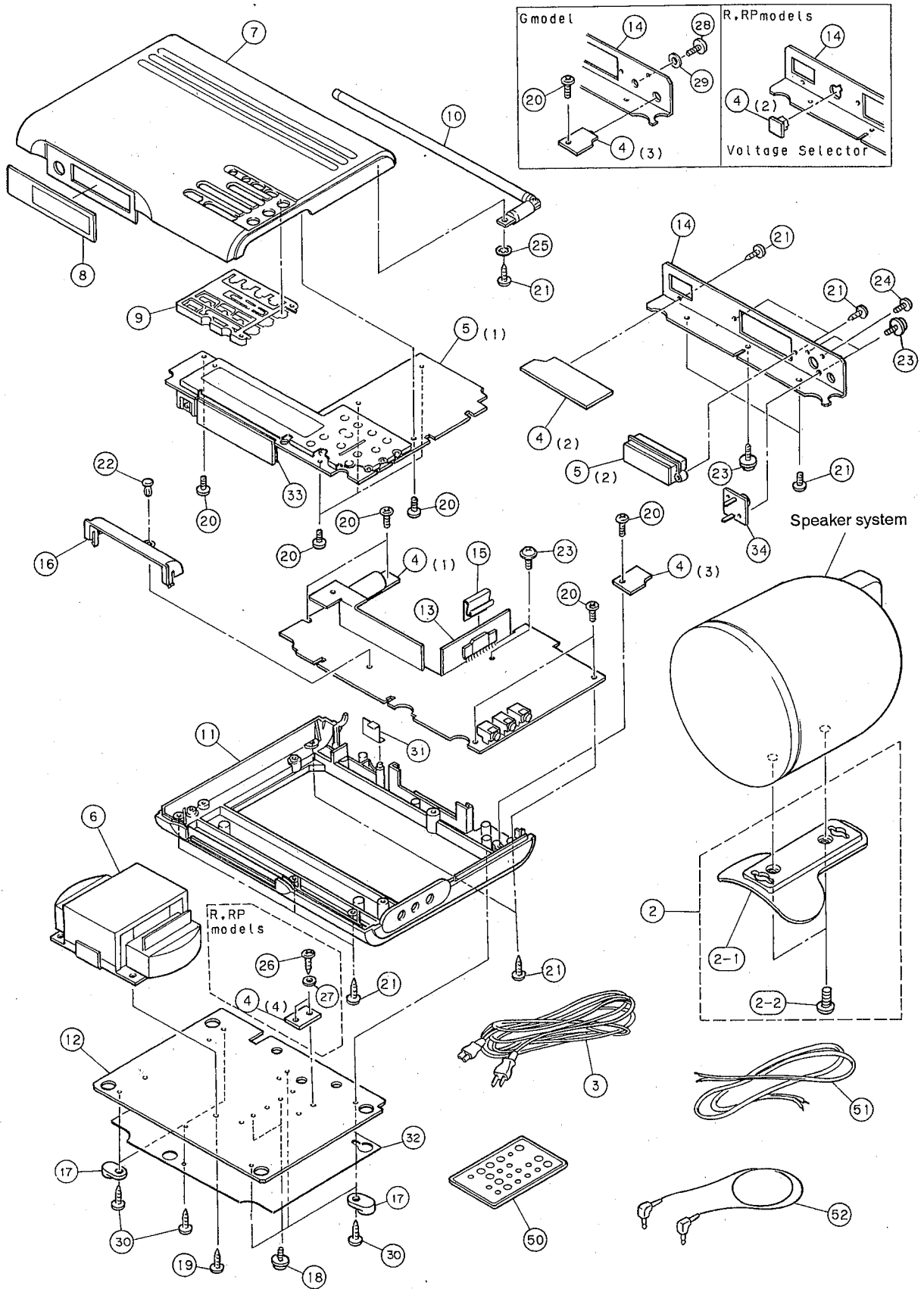
Ref. NO.	PART NO.	Description	部 品 名	Remarks	Markets	ランク
	VC309100	ELECTROLYTIC CAP	0.047F 5.5V	ケミコン	C106	
	UM397100	ELECTROLYTIC CAP	10 μ F 16V	ケミコン	C7,17,19,30,34,35,45	
	UM406470	ELECTROLYTIC CAP	4.70 μ F 25V	ケミコン	C12,39	
	UM415330	ELECTROLYTIC CAP	0.33 μ F 50V	ケミコン	C42	
	UM076100	ELECTROLYTIC CAP	1 μ F 50V	ケミコン	C40,41,104	
	VI040500	TRIMMER CAP	ECR-LA 10PF	可変コンデンサ	VC4,5,100	
	VI040600	TRIMMER CAP	ECR-LA 20PF	可変コンデンサ	VC1,2	
	VI284400	AM MIX COIL	450K 2131-294	AM MIX コイル	T4	
	VI284500	FM MIX COIL	10.7 P-7GL	FM MIX コイル	T5	
	VI041500	AM OSC COIL	796K P-7GL	AM OSC コイル	T3	
	VI041600	COIL	10.7MHZ QU-7L	検波コイル	T7	
	VI041700	AM RF COIL	SA-043 796KHZ	AM RF コイル	T2	
	VI041800	AM RF COIL	SA-042 796KHZ	AM RF コイル	T1	
	VI041900	FM RF COIL	FE-12C 100MHZ	FM RF コイル	T6	J
	VI042000	FM RF COIL	FE-12C 100MHZ	FM RF コイル	T6	UCRABGH
	VI546100	COIL	220 μ H	固定コイル	L2	
	VI096300	COIL	100 μ H	コイル	L3	
	VC362000	COIL	1mH	固定コイル	L7	
	VE638800	COIL	10 μ H	固定インダクタ	L1	
	VI720900	COIL	1mH	固定コイル	L8	
	VI685800	COIL		空芯コイル	L8	J
	VI667300	COIL		空芯コイル	L6	UCRABG
	VI685900	COIL		空芯コイル	L4	J
	VI667400	COIL		空芯コイル	L4	UCRABGH
	VI041100	COIL		空芯コイル	L5	UCRABGH
	VI041400	COIL		空芯コイル	L5	J
	HI454220	FLAME PROOF RESISTOR	22 Ω	不燃化カーボン抵抗	R18	
	XG692A00	IC	LA1851N	I C	IC1	
	XG707A00	IC	LA1177	I C	IC2	
	XG693A00	IC	LC7230-8258	I C	IC3	
	XG693B00	IC	LC7230-8264	I C	IC3	
	VI377300	LCD	8109BJP	LCD表示器	V1	
	VE989900	RECEIVE UNIT	GP1U521Y	リモコン受光ユニット	U1	
	VE327300	PUSH SWITCH		プッシュSW	SW1~15	
	VI761600	SPEAKER TERMINAL	T6028 4P	スピーカ端子	TE1	
	GG000560	CERAMIC FILTER	10.7MHz	セラミックフィルター	CF2,3	
	GG000660	CERAMIC FILTER	450KHz	セラミックフィルター	CF1	
	VE905900	CERAMIC RESONATOR	19.000K CSB456F15	セラミック振動子	XL1	
	VG659800	QUARTZ CRYSTAL UNIT	4.5MHz	水晶振動子	XL100	
	iC287820	TRANSISTOR	2SC2878 A,B	トランジスタ	Q1	
	VC218900	TRANSISTOR	2SC3330 R,S,T	トランジスタ	Q100,101	
	iE104100	FET	2SK161 O,Y,GR	F E T	Q2	
	VB105700	FET	3SK101 Y,GR	F E T	Q3	
	iF004600	DIODE	1SS133 T-77	ダイオード	D7,8,100,101	
	VI867400	VARACTOR DIODE	SVC321	バラクタダイオード	D1,2,3	
	VI043200	VARIABLE CAPACITOR DIODE	SVC-203SPA	バリキャップ	D4,5,6	
	VI002000	SHEILD PLATE-A		シールドプレート-A		
	VI060700	SHEILD PLATE-B		シールドプレート-B		
	VI519800	SHEILD PLATE-C		シールドプレート-C		

※ : New Parts (新規部品)

ランク : Japan only 22

YST-7

EXPLODED VIEW



Note) Parts (12) and (32) are attached by double-sided adhesive tape.

MECHANISM PARTS

Ref. NO.	PART NO.	Description	部 品 名		Remarks	Markets	ランク
* 02	VI063800	STAND ASSY			スタンドASSY		
* 02-1	VH948500	SPEAKER STAND			スピーカー スタンド		
* 02-2	ED350166	BIND HEAD SCREW	5x16	ZMC2-BL	バインド小ネジ		
* 03	MG002140	POWER CORD	2.5A	1.8M	電源コード	B	
* 03	MG002150	POWER CORD	2.5A		電源コード	G,H	
* 03	MG002160	POWER CORD	2.5A	1.8M	電源コード	A	
* 03	VC421100	POWER CORD	7A	2.0M	電源コード	U,C	
* 03	VE368000	POWER CORD	3A 125V	1.8M	電源コード	J	
* 03	VE368800	POWER CORD	1A 250V	1.8M	電源コード	R	
* 04	VI057400	MAIN CIRCUIT BOARD			メインシート	J	
* 04	VI057500	MAIN CIRCUIT BOARD			メインシート	U,C	
* 04	VI057600	MAIN CIRCUIT BOARD			メインシート	R	
* 04	VI057700	MAIN CIRCUIT BOARD			メインシート	A,B,H	
* 04	VI057800	MAIN CIRCUIT BOARD			メインシート	G	
* 05	VI058000	TUNER CIRCUIT BOARD			チューナーシート	J	
* 05	VI058100	TUNER CIRCUIT BOARD			チューナーシート	U,C	
* 05	VI058200	TUNER CIRCUIT BOARD			チューナーシート	R	
* 05	VI058300	TUNER CIRCUIT BOARD			チューナーシート	A	
* 05	VI058400	TUNER CIRCUIT BOARD			チューナーシート	G	
* 05	VI777400	TUNER CIRCUIT BOARD			チューナーシート	B,H	
* 06	XG702A00	POWER TRANSFORMER			電源トランス	J	⚠ ⚠ ⚠ ⚠ ⚠
* 06	XG703A00	POWER TRANSFORMER			電源トランス	U,C	
* 06	XG704B00	POWER TRANSFORMER			電源トランス	R	
* 06	XG705B00	POWER TRANSFORMER			電源トランス	A,B	
* 06	XG706B00	POWER TRANSFORMER			電源トランス	G,H	
* 07	VI000800	TOP COVER			トップカバー	J	
* 07	VI519500	TOP COVER			トップカバー	UCRABGH	
* 08	VI001300	WINDOW			ウインドウ		
* 09	VI001200	BUTTON			ボタン		
* 10	VI063400	ROD ANTENA	TAM-962038-BB		ロッドアンテナ		
* 11	VI000900	CHASSIS			シャーシ		
* 12	VI001400	BOTTOM COVER			ボトムカバー	JUCABGH	
* 12	VI659700	BOTTOM COVER			ボトムカバー	R	
* 13	VI001700	RADIATOR			ラジエータ		
* 14	VI001500	REAR PANEL			リヤパネル	G	
* 14	VI001600	REAR PANEL			リヤパネル	R	
* 14	VI659600	REAR PANEL			リヤパネル	J,U,C,A	
* 14	VI804600	REAR PANEL			リアパネル	B,H	
* 15	VI002100	SPRING			スプリング		
* 16	VI001900	REFLECTOR			リフレクター		
* 17	VI982200	LEG			レッグ		
* 18	EX600850	CAP SCREW	4x10	FCRM3-BL	カップネジ		
* 19	ED340086	BINDING HEAD SCREW	4x8	FCRM3-BL	バインド小ネジ		
* 20	EX000400	BIND HEAD P-TIGHT SCREW	3x6	ZMC2-BL	バインドPタイトネジ		
* 21	E1330106	BIND HEAD TAPPING SCREW	3x10	ZMC2-BL	バインドタッピングネジ		
* 22	CB605620	PLASTIC RIVET	NO.1057		プラスチックリベット		
* 23	E1330066	BIND HEAD TAPPING SCREW	3x6	FCRM3-BL	バインドタッピングネジ		
* 23	EV413036	TOOTHED LOCKED	3MM	FCRM3-BL	歯付座金		
* 24	EX601250	BIND TAPING B-TYTE SCREW	3x8		バインドタッピングネジ		
* 25	EV423036	TOOTHED LOCK WASHER	3MM		歯付座金		

* : New Parts (新規部品)

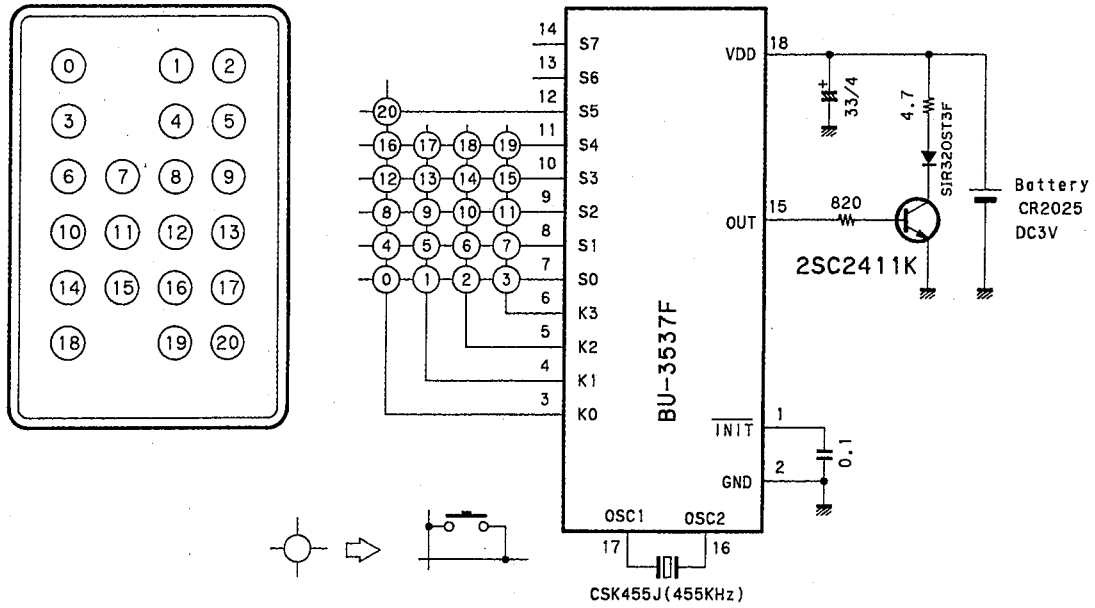
ランク : Japan only

Ref. NO.	PART NO.	Description	部 品 名		Remarks	Markets	ランク
	EI330066	BIND TAPPING SCREW	3x6	FCRM3-BL	バインドタッピングネジ	R	
*	VI867800	SPACER PCB			スペーサー PCB	R	
	AA627310	TERMINAL, GROUND	STG 3x13		GNDターミナル	G	
	EW403650	PLAIN WASER	3.6x10x0.8		平座金	G	
*	VC469400	BIND HEAD TAPPING SCREW	3x12	FCRM3-BL	バインドタッピングネジ		
*	VI233200	SHIELD PLATE-F			シールドプレート F	R, B, G	
*	VI982900	SHIELD LABEL J			シールドラベル J	J	
*	VI983200	SHIELD LABEL U			シールドラベル U	U, C	
*	VI983300	SHIELD LABEL R			シールドラベル R	R	
*	VI983400	SHIELD LABEL B			シールドラベル B	A, B	
*	VI983500	SHIELD LABEL G			シールドラベル G	G, H	
*	VI520100	SHEET			シート カクサン		
*	VI729700	ANTENA TERMINAL			アンテナタンシ	J, U, C, A, R	
*	VJ016000	ANTENA TERMINAL			アンテナタンシ	B, H	
		ACCESSORIES			付属品		
*	VH919700	REMOTE CONTROL TRANSMITTER			リモコントランスミッター		
*	VI063700	SPEAKER CORD ASSY			スピーカーコードASSY	JRABGH	
*	VI449600	SPEAKER CORD ASSY			スピーカーコードASSY	U, C	
*	VI217300	MINI PLUG CORD	1M		ミニプラグ付ケーブル		
*		DRY CELL	CR2025		マンガン電池		

* : New Parts (新規部品)

ランク : Japan only 25

■ REMOTE CONTROL TRANSMITTER



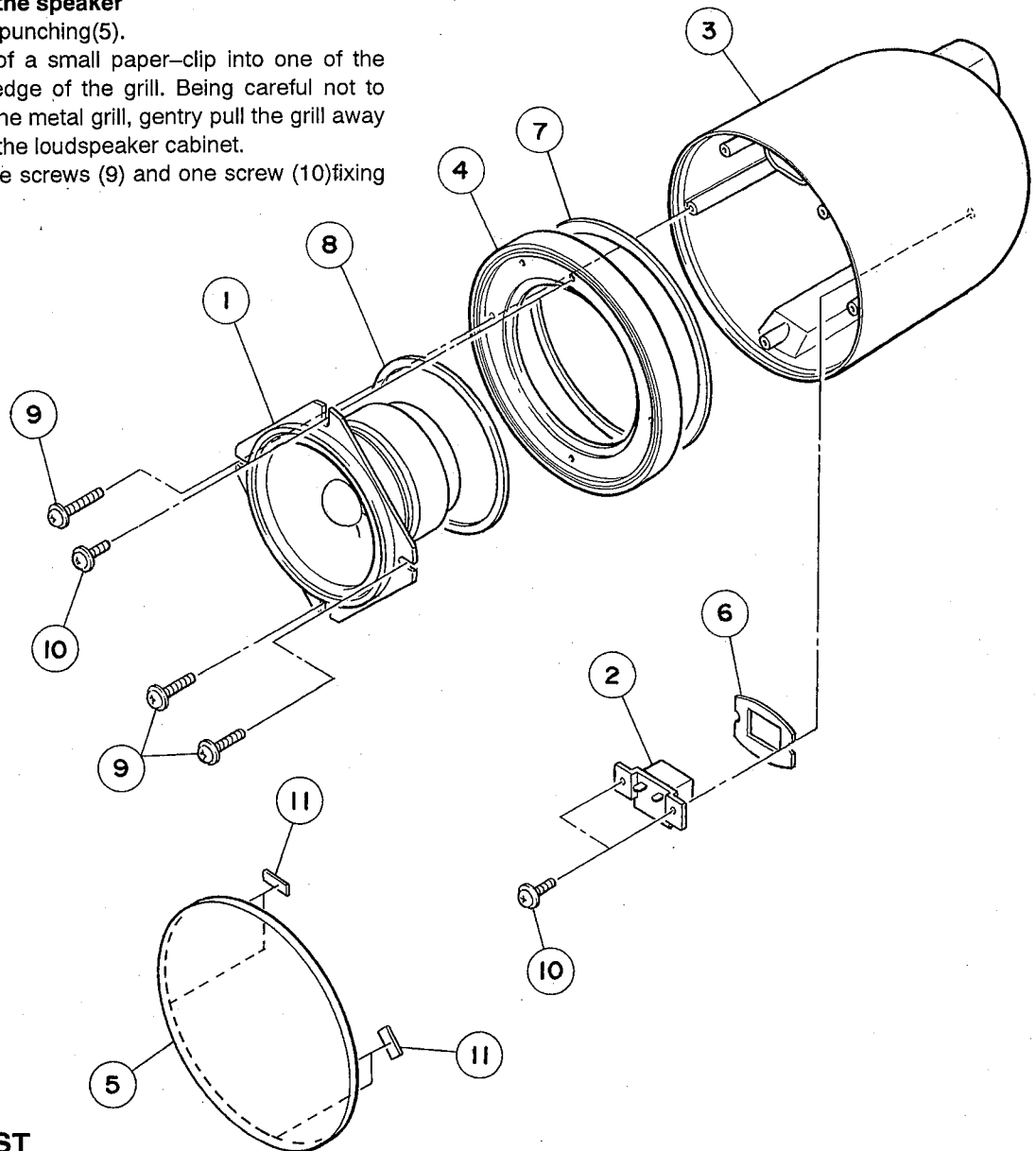
KEY No.	Custom cord	Data cord	KEY Name
0	0067H	00H	POWER
1	0067H	01H	WAKE UP
2	0067H	02H	SLEEP
3	0067H	03H	CLOCK
4	0067H	04H	HOUR
5	0067H	05H	MINUTE
6	0067H	06H	MEMO
7	0067H	07H	INPUT A
8	0067H	08H	INPUT B
9	0067H	09H	INPUT C
10	0067H	0AH	AM/FM
11	0067H	0BH	PRESET 1
12	0067H	0CH	PRESET 2
13	0067H	0DH	PRESET 3
14	0067H	0EH	TUNING DOWN
15	0067H	0FH	TUNING UP
16	0067H	10H	PRESET DOWN
17	0067H	11H	PRESET UP
18	0067H	12H	MUTING
19	0067H	13H	VOLUME DOWN
20	0067H	14H	VOLUME UP

YST-SB7 Speaker System

EXPLODED VIEW

Disconnecting the speaker

1. Detach the grille punching(5).
- a) Insert the end of a small paper-clip into one of the holes near the edge of the grill. Being careful not to bend or deform the metal grill, gently pull the grill away from the front of the loudspeaker cabinet.
2. Remove the three screws (9) and one screw (10) fixing the speaker.



PARTS LIST

Ref. NO.	PART NO.	Description	部 品 名	Remarks	Markets	ランク
* 01	XG698A00	SPEAKER	JA1063	スピーカ		
* 02	VH948400	PUSH TERMINAL ASSY	2P	ターミナルASSY		
* 03	VH948200	SPEAKER BOX		スピーカボックス		
* 04	VH948300	BAFFLE		バッフル		
* 05	VH948600	GRILL PUNCHING		グリルパンチング		
* 06	VH948700	PACKING A		パッキン A		
* 07	VH948800	PACKING B		パッキン B		
* 08	VH948900	PACKING C		パッキン C		
* 09	EX601290	BW HEAD TAPPING SCREW P-TYTE	3x16 φ8 FCM3-BL	BWヘッドタッピングネジ		
* 10	EX601280	BW HEAD TAPPING SCREW P-TYTE	3x8 φ8 FCM3-BL	BWヘッドタッピングネジ		
* 11	V1069300	PACKING		パッキン		

* : New Parts (新規部品)

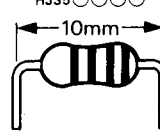
ランク : Japan only

Parts List for Carbon Resistors

Value	1/4W Type Part No.	1/6W Type Part No.	Value	1/4W Type Part No.	1/6W Type Part No.
1.0 Ω	HJ353100	※	12K Ω	HJ357120	HF857120
1.8 "	HJ353180	※	15 "	HJ357150	HF857150
2.2 "	HJ353220	HF853220	18 "	HJ357180	HF857180
3.3 "	HJ353330	HF853330	22 "	HJ357220	HF857220
4.7 "	HJ353470	HF853470	27 "	HJ357270	HF857270
5.6 "	HJ353560	HF853560	33 "	HJ357330	HF857330
10 "	HJ354100	HF854100	39 "	HJ357390	HF857390
15 "	HJ354150	HF854150	47 "	HJ357470	HF857470
22 "	HJ354220	HF854220	56 "	HJ357560	HF857560
27 "	HJ354270	HF854270	68 "	HJ357680	HF857680
33 "	HJ354330	HF854330	82 "	HJ357820	HF857820
39 "	HJ354390	HF854390	91 "	HJ357910	HF857910
47 "	HJ354470	HF854470	100 "	HJ358100	HF858100
56 "	HJ354560	HF854560	120 "	HJ358120	HF858120
68 "	HJ354680	HF854680	150 "	HJ358150	HF858150
82 "	HJ354820	HF854820	180 "	HJ358180	HF858180
100 "	HJ355100	HF855100	220 "	HJ358220	HF858220
110 "	HJ355110	HF855110	270 "	HJ358270	HF858270
120 "	HJ355120	HF855120	330 "	HJ358330	HF858330
150 "	HJ355150	HF855150	390 "	HJ358390	HF858390
160 "	HJ355160	※	470 "	HJ358470	HF858470
180 "	HJ355180	HF855180	560 "	HJ358560	HF858560
220 "	HJ355220	HF855220	680 "	HJ358680	HF858680
270 "	HJ355270	HF855270	820 "	HJ358820	HF858820
330 "	HJ355330	HF855330	1.0M Ω	HJ359100	HF859100
390 "	HJ355390	HF855390	1.2 "	HJ359120	※
470 "	HJ355470	HF855470	1.5 "	HJ359150	HF859150
510 "	※	HF855510	1.8 "	HJ359180	HF859180
560 "	HJ355560	HF855560	2.2 "	HJ359220	HF859220
680 "	HJ355680	HF855680	3.3 "	HJ359330	HF859330
820 "	HJ355820	HF855820	3.9 "	HJ359390	※
910 "	HJ355910	HF855910	4.7 "	HJ359470	※
1.0K Ω	HJ356100	HF856100			
1.2 "	HJ356120	HF856120			
1.5 "	HJ356150	HF856150			
1.8 "	HJ356180	HF856180			
2.0 "	HJ356200	HF856200			
2.2 "	HJ356220	HF856220			
2.4 "	HJ356240	HF856240			
2.7 "	HJ356270	HF856270			
3.0 "	HJ356300	HF856300			
3.3 "	HJ356330	HF856330			
3.6 "	HJ356360	HF856360			
3.9 "	HJ356390	HF856390			
4.7 "	HJ356470	HF856470			
5.1 "	HJ356510	HF856510			
5.6 "	HJ356560	HF856560			
6.8 "	HJ356680	HF856680			
8.2 "	HJ356820	HF856820			
9.1 "	HJ356910	HF856910			
10 "	HJ357100	HF857100			

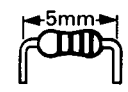
1/4W Type

HJ35○○○○



1/6W Type

HF85○○○○



YST-7

YAMAHA

YST-7