

# PIONEER



Solid state **AM/FM STEREO RECEIVER**

MODEL **SX-1000TW**

**CAUTION** Before connecting the line cord to the wall socket, carefully read and follow the instructions shown below, to assure the safety of your unit.

- Model SX-1000TW is set to 240V operation when shipped. If this unit is used in a different line-voltage area, read and follow "LINE VOLTAGE SELECTION AND FUSE" on page 1.

Be sure that the line voltage setting on your unit agrees with the line voltage in your area and that the fuse installed in your unit is a proper one.

## INSTALLATION, OPERATING AND SERVICE MANUAL

Including, PARTS LIST, CIRCUIT DIAGRAMS, AND MOUNTING TEMPLATE.

**FW, F**



**PIONEER ELECTRONIC CORPORATION**

## SOME UNIQUE FEATURES:

● **FM front-end employing a field effect transistor to hear more stations more clearly**

By the use of FET (field effect transistor) in the FM radio frequency amplifier stage, design of nearly perfect FM front-end was achieved—free from cross modulation, free from drift, with better sensitivity, lower inherent noise, and high spurious rejection ratio.

● **Integrated circuit (IC) employed in FM tuner assures outstanding capture ratio with high reliability.**

In the FM intermediate frequency amplifier stage, integrated circuits are employed, resulting in an entirely different outstanding performance from that of IF stages hitherto designed, especially in the limiter characteristic and the capture ratio.

● **Multiplex circuitry (MPX) for maximum channel separation**

The accurate electronic switching circuitry is employed in the FM multiplex demodulator, insuring maximum separation with excellent tonal quality.

● **Unique muting circuit permits the easiest tuning control**

The muting circuit provided in the FM tuner completely eliminates the FM inter-station noise which has hitherto been annoying the user in tuning.

● **High performance single ended push-pull (SEPP) output stage eliminates audio transformers and provides large output with true frequency fidelity**

The power amplifier employs the high-performance single ended push-pull circuitry in the output stage and the push-pull complementary circuitry in the driver stage, completely eliminating the distortion inherent transformers from the audio stage. Tripple diffused mesa transistors are adopted as the power transistors in the output stage for full-fidelity frequency response with large audio output power and least harmonic distortion.

● **Full complement of inputs and outputs**

The inputs and outputs provided in the receiver include two pairs of PHONO MAG inputs. When two turntables are connected to these inputs, the user is able to switch from one turntable to the other any time at will. Also, two pairs of loudspeaker outputs are included for switching between, or for permitting the simultaneous use of, two loudspeakers.

● **Electronic switch fully protects the precious power transistors**

The electronic switching circuitry employed in the power supply completely protects expensive power transistors even when the loudspeaker leads are shorted while the receiver unit is in use.

## INSTALLATION

As this receiver is sully transistorized, desirable places to install it are as follows:

- Places airy and free from humidity and dust. Avoid installing on close, low-ceiling shelves.
- Places not directly exposed to the sun ray.
- Places not close to heat-emitting objects such as heaters and stoves.

- Places where there is as little vibration as possible and where the surface is level.

The optimum stereophonic listening position is across the room from the speakers, somewhere close to the midpoint between the right and left speaker systems.

## LINE VOLTAGE SELECTION AND FUSE

### Switching Line Voltage Setting and Fuse

In order to remove the fuse, turn the fuse cap located on the line voltage selector switch in the direction indicated by an arrow. Then remove the fuse plug from the unit. Put the fuse plug back so that the proper line voltage marking can be seen thru the cut on the edge of the plug.

Whenever the set position of the selector switch is changed, check the rating of the fuse. A 1.5-ampere fuse is to be used for either 220V or 240V operation and a 3-ampere fuse for any of 110V, 117V, or 130V operation. If the rating of the fuse is proper, install the fuse on the fuse cap.

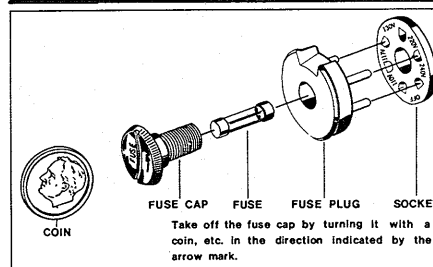


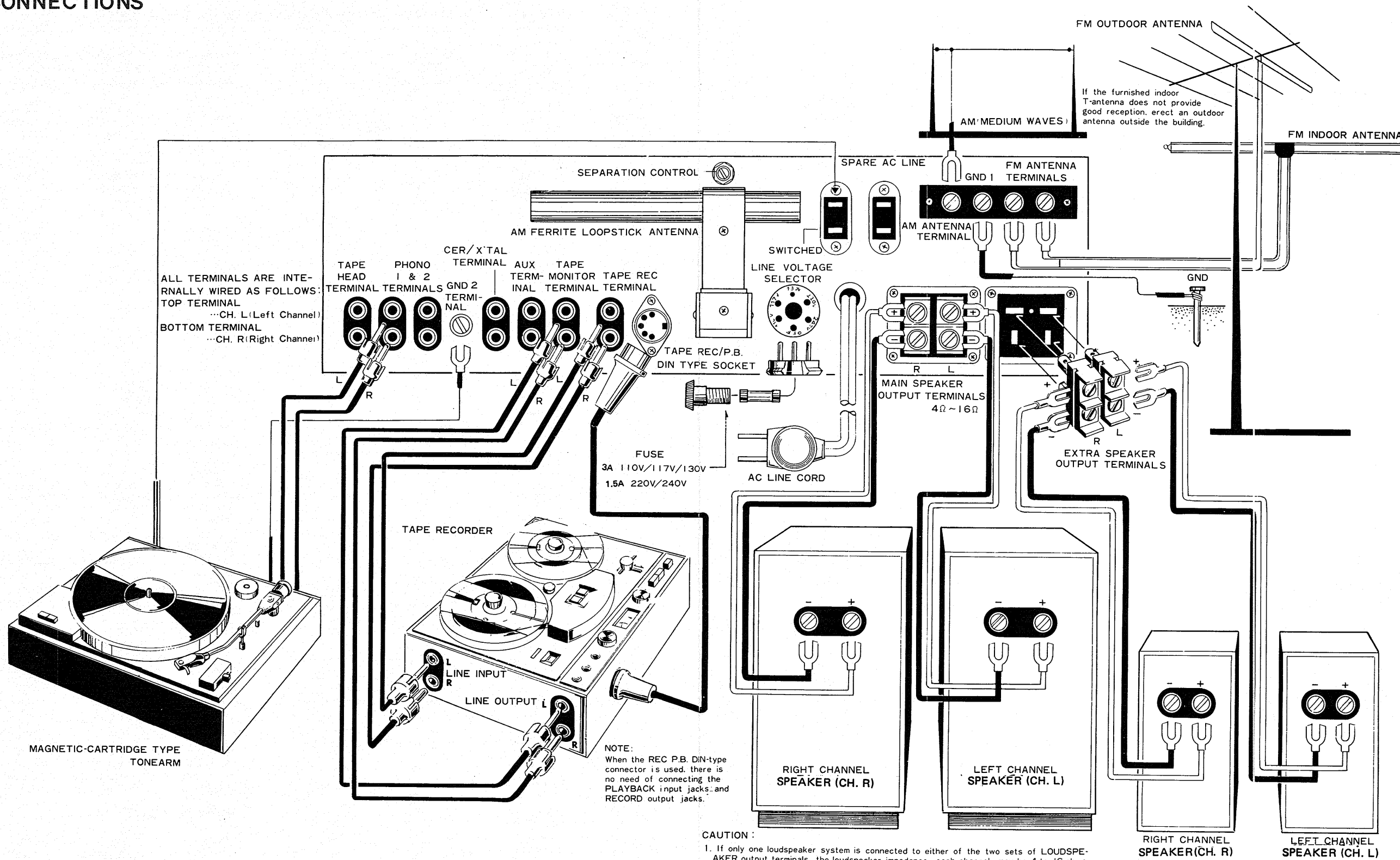
Fig. 1

- **Replacing of Fuse**

When the fuse is blown off, remove the fuse cap and replace the fuse with a new one.



## REAR CONNECTIONS



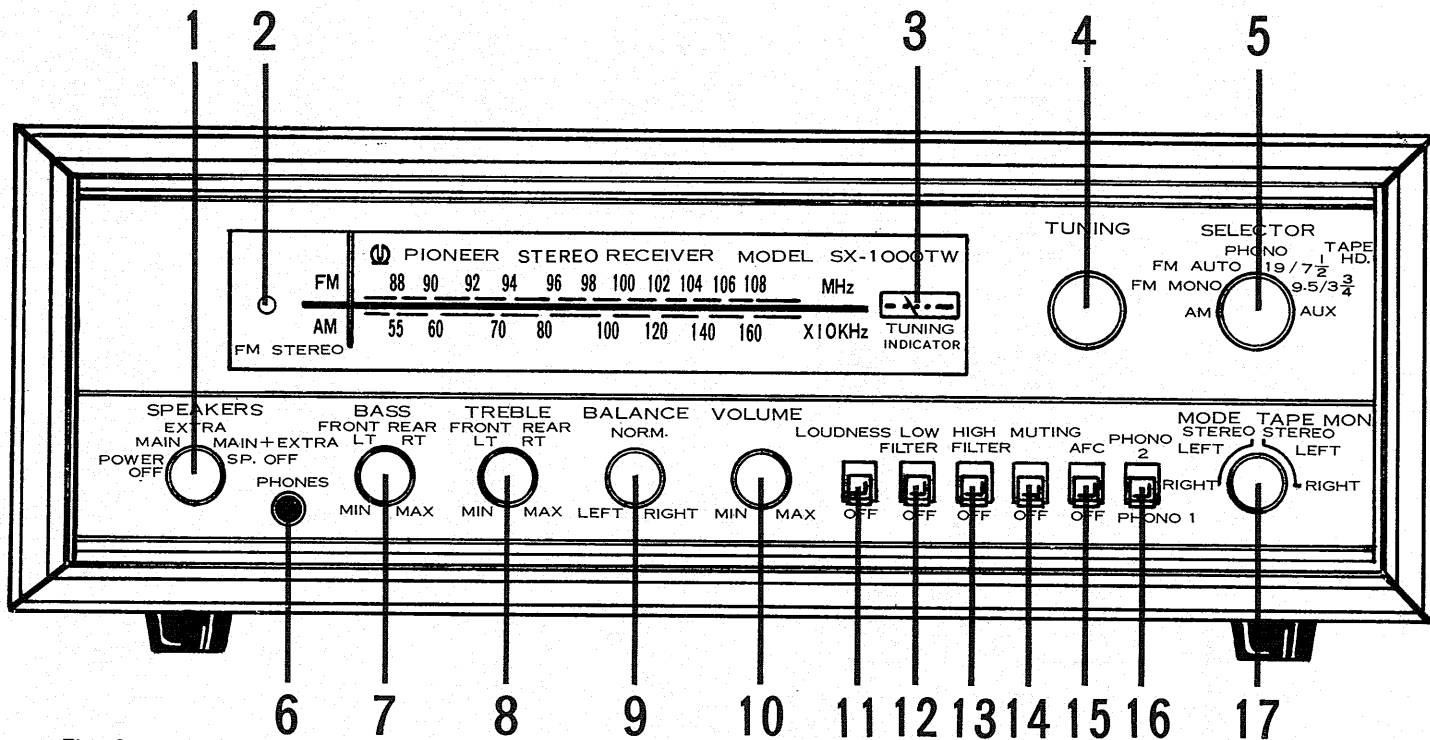


Fig. 2

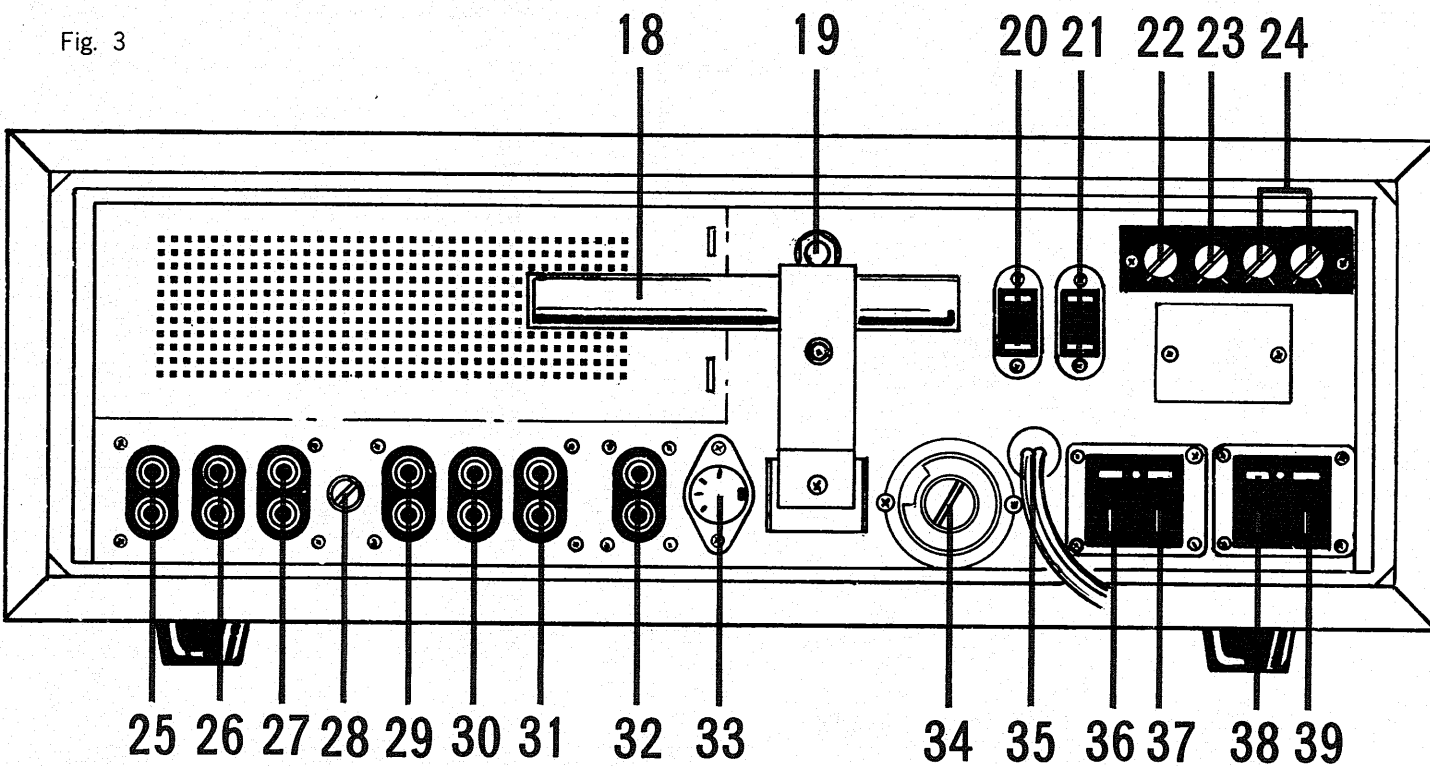


Fig. 3

## Functions of the front panel controls and indicators

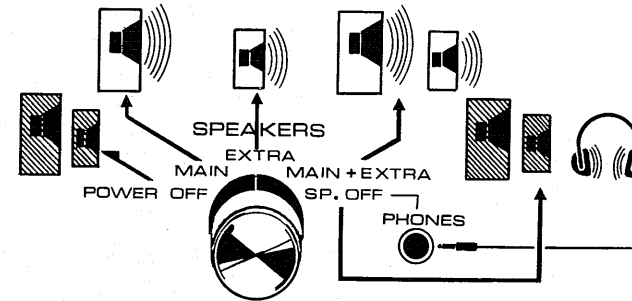


Fig. 4

### 1. LOUSPEAKERS

This switch selects the loudspeaker system to be used and also serves as the main power switch. Its positions are as follows:  
**POWER OFF**.....For turning the unit power off.  
**MAIN** .....For listening through main loudspeakers.  
**EXTRA** .....For listening through extra loudspeakers.  
**MAIN-EXTRA** ...For listening through both main and extra loudspeakers.  
**SP. OFF**.....For muting all loudspeakers. (This function is convenient when the headphones are used.)

### 2. FM STEREO INDICATOR

This indicator light automatically switches on when the FM station is broadcasting stereo.

### 3. TUNING INDICATOR

This meter indicates the optimum tuning points for AM or FM stations. For tuning in a station, the TUNING control (4) is adjusted to produce maximum swing of this meter.

### 4. TUNING

This control tunes the receiver to the desired AM or FM station.

### 5. SELECTOR

This control switch selects the program material to be reproduced; the type of radio broadcast, phono, or tape playback.

**AM** .....For reception of AM (medium-wave broadcast band) station.  
**FM MONO**.....For reception of FM monaural stations.  
**FM AUTO** .....For reception of FM broadcasts, with automatic switching between FM monaural and stereo.  
**PHONO** .....For playback of records.  
**19/7 1/2"**.....This position provides proper equalization for tapes recorded at 19 centimeters (or 7 1/2 inches) per second.  
**9.5/3 3/4"** .....This position provides proper equalization for tapes recorded at 9.5 centimeters (or 3 3/4 inches) per second.  
**AUX** .....For reproduction of signals fed to the AUX jacks (30).

### 6. PHONES

This jack is for stereo headphones.

### 7. BASS

This control adjusts bass response. Turning it to clockwise will boost, and turning it counterclockwise will reduce bass response. The center top indicates the intermediate point.

### 8. TREBLE

This control adjusts treble response. Turning it clockwise will

boost, and turning it counterclockwise will reduce treble response. The center top indicates the intermediate point.

Note: These controls (BASS and TREBLE) are of two-section type; the front section adjusts the left channel and the rear section adjusts the right channel. Usually, the tone response is adjusted for both channels simultaneously. To adjust the response for only one channel, the section corresponding to the channel may be adjusted while the other is held by hand.

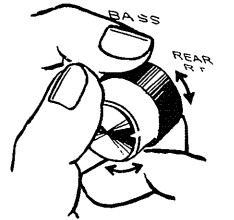


Fig. 5

### 9. BALANCE

This control serves to balance the volume level of the left and right channels.

### 10. VOLUME

This control adjusts the volume level. Turning it clockwise will increase the volume, and turning it counterclockwise will decrease the volume.

### 11. LOUDNESS CONTOUR

For listening at low volume settings, this switch is set to the LOUDNESS position to increase the sounds in the extreme bass and treble range for adding reality to the reproduction. For listening at high volume level, this switch is normally set to OFF.

### 12. LOW FILTER

Setting this switch to the LOW FILTER position will eliminate low frequency noise such as record rumble, hum, or other interference. When noise is not present, this switch is normally set to OFF.

### 13. HIGH FILTER

Setting this switch to the HIGH FILTER position will eliminate high frequency noise, such as record scratch, hiss, static noise from fluorescent lamps, or other interference. When no such noise is present, this switch is normally set to OFF.

### 14. MUTING SWITCH

When an FM station is tuned in, setting this switch to MUTING will eliminate interference noises between FM stations. For reception of a weak-signal station, the switch should be set to OFF.

### 15. AFC SWITCH

The function of the AFC (automatic frequency control) circuit is to compensate automatically for tuning drift which frequently occurs when listening in an FM station for a long time. This switch should be set to the OFF position when tuning in a station, and after the station has been tuned in, it should immediately be set to the AFC position.

### 16. PHONO SWITCH

This control switch selects the turntable to be used.  
**PHONO 1** . . . . For reproduction of the output of the turntable connected to the PHONO 1 jacks (26).  
**PHONO 2** . . . . For reproduction of the output of the turntable connected to the PHONO 2 jacks (27).



### 17. MODE/TAPE MON. SWITCH

This switch is the selector for stereo/mono and tape monitor settings. Its positions are as follows:

- MODE positions (for playback of records or reception of broadcasts)
  - STEREO .....For reproduction of stereo program.
  - LEFT .....For reproduction through both left and right channel loudspeakers of program material being fed to any of left channel inputs.
  - RIGHT.....For reproduction through both left and right channel loudspeakers of program material being fed to any of right channel inputs.
- TAPE MON positions (for playback of tapes or for monitoring of tape being recorded).
  - STEREO .....For stereo reproduction or stereo monitoring of recorded tapes.
  - LEFT .....For mono reproduction of only left channel of recorded tape.
  - RIGHT.....For mono reproduction of only right channel of recorded tape.

## Functions of the rear panel controls terminals and inputs.

### 18. AM FERRITE LOOPSTICK ANTENNA

This is a loopstick antenna for the reception of AM stations. In areas relatively close to the AM station, this antenna will provide satisfactory reception. This antenna has directional properties, so it should be moved about while listening to a station and set at the position providing the best reception.

### 19. SEPARATION CONTROL

This control adjusts the channel separation of FM multiplex stereo broadcasts. It has already been adjusted at the factory, and normally there should be no need for any further adjustment.

### 20. AC OUTLET

This is an AC outlet that provides a convenient source of power for any associated equipment. It has a maximum capacity of 115VA.

### 21. AC OUTLET

This is another AC outlet and has a maximum capacity of 230 VA. This outlet is not controlled through the SPEAKERS switch (1) and remains live at all times.

### 22. AM ANTENNA TERMINAL

This is the terminal for connection with the AM antenna (mediumwave broadcasts).

### 23. GND 1

When using a ground lead for the receiver, it should be connected to this terminal.

### 24. FM ANTENNA TERMINALS

These are the terminals for connection with the FM antenna.

### 25. TAPE HD

When driving program material signals directly from the heads of a tape player, the output cables should be connected to these input jacks.

### 26. PHONO 1

When using a turntable that is equipped with a magnetic cartridge, the output cables should be connected to these input jacks.

### 27. PHONO 2

When using two turntables which are equipped with a magnetic cartridge, the output cables of the second turntable should be connected to these input jacks.

### 28. GND 2

If a turntable equipped with a ground lead is used, the ground lead should also be connected to this terminal.

### 29. PHONO CER

When using a turntable which is equipped with a ceramic or crystal cartridge, the output cables should be connected to these input jacks.

### 30. AUX

These are input jacks for auxiliary inputs such as the audio signal from a TV set.

### 31. TAPE MON

The outputs of the LINE OUTPUTS (the monitor output or playback output) of the tape recorder should be connected to these input jacks.

### 32. TAPE REC

The LINE INPUTS (the inputs or AUX inputs for recording) of the tape recorder should be connected to these recording output jacks.

### 33. Tape REC/P.B. CONNECTOR (DIN type)

If your tape recorder is provided with the DIN-type record/playback connector and also you have a connecting cord with DIN-type connectors, the tape recorder can be connected with this unit for both recording and playback by simply connecting the cord between the recorder and this unit.

### 34. LINE VOLTAGE SELECTOR AND FUSE

The line voltage selector and fuse are assembled into one unit. For instruction on change of line-voltage setting or on fuse replacement, see "LINE VOLTAGE SELECTION AND FUSE" on page 1.

### 35. LINE CORD

This is the AC power cord. The AC plug provided at one end of this cord is inserted into the adjacent wall socket.

### 36. MAIN LOUDSPEAKER TERMINALS (RIGHT CHANNEL)

The right channel main loudspeaker leads are connected to these terminals.

### 37. MAIN LOUDSPEAKER TERMINALS (LEFT CHANNEL)

The left channel main loudspeaker leads are connected to these terminals.

### 38. EXTRA LOUDSPEAKER TERMINALS (RIGHT CHANNEL)

The right channel extra loudspeaker leads are connected to these terminals.

### 39. EXTRA LOUDSPEAKER TERMINALS (LEFT CHANNEL)

The left channel extra loudspeaker leads are connected to these terminals.

## Antenna and Ground Connections

### AM antenna

- The ferrite loopstick antenna (18) mounted on the rear of the receiver will provide satisfactory reception of local stations with strong signals. Because the loopstick antenna has directive properties, its direction may be adjusted for the best reception while listening to a station.

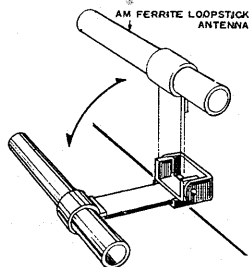


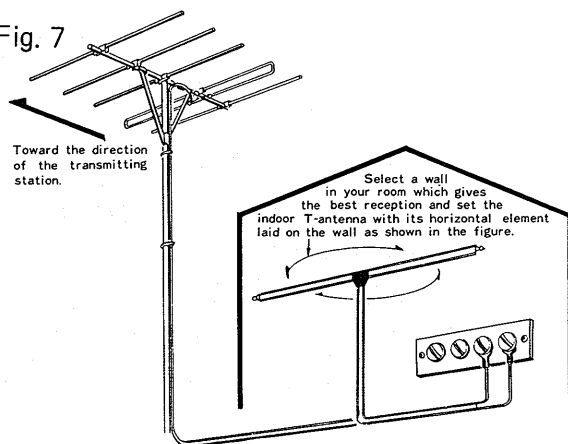
Fig. 6

- If noise is strong in your area and the adjustment of the loopstick antenna direction does not improve the situation, the furnished AM lead antenna may be laid on the wall or on other standing object as high as possible, and one end of the antenna lead should be connected to the AM antenna terminal (22). If the furnished antenna does not help, an outdoor AM antenna may need to be set up. In this case, the antenna lead should also be connected to the AM antenna terminal (22).

### FM Antenna

- If the receiver is situated in regions close to the transmitting site or is placed in a wooden building, the furnished simple indoor T-shaped antenna will provide satisfactory results. In this case, the 2 wires of the twin leads from the antenna should be connected to the FM antenna terminals (24) and the horizontal element of the T-section should be extended and positioned for the best reception while listening to an FM station. Then, the antenna should be secured to the wall or to any support.

Fig. 7



- In regions where the furnished indoor T-shaped antenna provides poor results such as many noises or poor channel separation, an outdoor FM antenna may be required. In this case, the leads from the outdoor antenna should also be connected to the FM antenna terminals (24).

For information about the outdoor FM antenna, consult a TV shop in your area.

### ● Ground

In some area, the use of a proper ground reduces noise significantly. The lead from an appropriate grounding electrode such as a water pipe or a ground rod, is connected to GROUND TERMINAL (23).

## Loudspeaker Connections

- Two loudspeaker systems, the main and the extra, (the left and right channel loudspeakers per system or four loudspeakers in total) may be connected to the receiver. Note, however, that the impedance of each channel loudspeaker must be larger than four ohms when two loudspeaker systems are connected to the receiver.
- As shown in Fig. 8, the loudspeaker leads are connected to the speaker plug furnished with this receiver. In this case, be sure that the positive loudspeaker lead is connected to the positive terminal on the plug with reference to Fig. 8.

### Connection for installation of one loudspeaker system

1. The speaker plug connected to the leads from the right channel loudspeaker is inserted into its mating socket (MAIN LOUDSPEAKER TERMINALS—RIGHT CHANNEL (36).

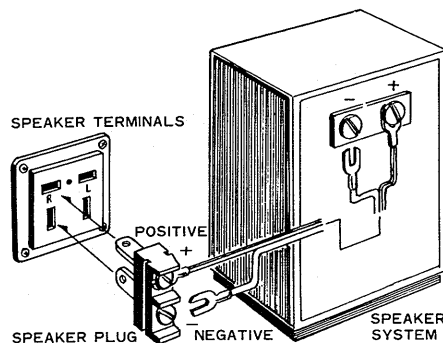


Fig. 8



2. The speaker plug connected to the leads from the left channel loudspeaker is inserted into its mating socket (MAIN LOUDSPEAKER TERMINALS—LEFT CHANNEL (37).

#### **Connection for installation of two loudspeaker systems**

1. The first loudspeaker system is connected to the MAIN LOUDSPEAKER TERMINALS (36) and (37) as described in the preceding paragraph.

2. The second loudspeaker system is connected to the EXTRA LOUDSPEAKER TERMINALS (38) and (39) in the similar manner described in the preceding paragraph; the right channel loudspeaker is connected to the terminals (38) and the left channel loudspeaker to the terminals (39).

## **Tape player or tape deck connections**

---

The output leads from the tape player or deck which is not equipped with the playback preamplifier (equalizer) are connected to the TAPE HD input jacks (25). The upper input jack is for the left channel and the lower is for the right channel. When a monaural tape deck is used, its output lead may be connected either to the upper input jack or to the lower input jack.

## **Turntable connections**

---

Two turntables with a magnetic type pickup cartridge and one turntable with either a ceramic or a crystal type cartridge may be connected to this receiver at a time, and an optional turntable can be selected for operation.

#### **Magnetic pickup turntable connections**

1. When using a turntable equipped with a magnetic type pickup cartridge, the output leads should be connected to the PHONO 1 input jacks (26). The upper input jack is for the left channel and the lower is for the right channel. When a monaural turntable is used, it does not matter which of the two inputs the output cable is connected to.
2. When two turntables are used, the first set is connected to the PHONO 1 input jacks as described herein above, and the second set is likewise connected to the PHONO 2 input jacks (27).

#### **Ceramic/crystal pickup turntable connections**

When using a turntable equipped with either a ceramic or a crystal pickup cartridge, the output leads are connected to the PHONO CER input jacks (29). The upper input jack is for the left channel and the lower is for the right channel. When a monaural turntable is used, the output cable may be connected to either the upper input jack or the lower.

## **Tape recorder connections**

---

#### **For making recordings**

The signals of the program material to be recorded are taken from the TAPE REC output jacks (32) and are connected to the LINE INPUTS of the tape recorder. The upper jack is for the left channel and the lower jack is for the right channel. When using a monaural tape recorder, the signal may be derived from either of the two output jacks.

- The signals available at the TAPE REC output jacks (32) are not controlled by any of the controls of the receiver, namely, VOLUME (10), BASS (7), and TREBLE (8). Therefore, adjustment of the recording level must be made with the controls of the tape recorder.

#### **Tape playback and tape monitor connections**

The program material to be reproduced through the receiver is derived from the LINE OUTPUTS (the playback outputs or the MONITOR outputs) of the tape recorder and is connected to the TAPE MON input jacks (31) of the receiver. The upper input jack is for the left channel and the lower jack is for the right channel. When using a monaural tape recorder, its output cable is connected to either of the two input jacks of the receiver.

- The program signal fed to the TAPE MON input jacks (31) can be controlled by the controls of the receiver, such as VOLUME, BASS, and TREBLE.

#### **Use of REC/P.B. DIN-type connector**

If your tape recorder is provided with the DIN-type record/playback connector and you have a connecting cord with DIN connectors, you can connect the tape recorder with this unit for both recording and playback simply by connection of the cord between the recorder and this unit. In this case, there is no need of connecting the tape recorder to either TAPE REC output jacks (32) for recording or TAPE MON input jacks (31) for playback.

## Operation of Controls and Switches

### Reception of FM Broadcasts

- Whether you plan to listen to FM-monaural or FM stereo broadcasts, first set the SELECTOR switch (5) to the FM-AUTO position, and the MODE/TAPE MON SWITCH (17) to the MODE-STEREO position.
  - This receiver is equipped with an FM mono/stereo automatic switching circuit which serves to identify an FM signal automatically as either a mono or a stereo signal. Monaural signals are reproduced in mono, and stereo signals are automatically reproduced in stereo. When a stereo signal is received and reproduced, the stereo indicator light will go on.
- The MUTING switch (14) is set to the MUTING position. If, however, the receiving signal is weak in your area, leave this switch in the OFF position.
- Set the AFC switch (15) to the OFF position, and then tune in a desired station with the TUNING CONTROL (4) while observing the TUNING INDICATOR (3) for pinpoint accuracy in tuning.
- After the desired station has been tuned in accurately, the AFC switch is set to the AFC position to activate the automatic frequency control circuit.

- NOTES:
- With the SELECTOR (5) set to the FM-AUTO position, if an extremely weak stereo broadcast is received, the receiver will automatically switch to mono operation.
  - If you wish to reproduce FM stereo broadcasts in mono, or if there is excessive noise with the SELECTOR (5) set to the FM-AUTO position and tonal quality is impaired, set the SELECTOR (5) to the FM-MONO position. In this case, the MODE/TAPE MON switch (17) may be set to either MODE-LEFT or MODE-RIGHT.

### Reception of AM Broadcasts

- The SELECTOR switch (5) is set to the AM position. The MODE/TAPE MON switch (17) may be set to any of MODE-STEREO, MODE-LEFT, or MODE-RIGHT.
- The desired station is tuned in by means of the TUNING control (4) while observing the TUNING INDICATOR (3).

### Record Reproduction

- The SELECTOR switch (5) is set to the PHONO position.
- For reproducing the turntable outputs fed to the PHONO 1 input jacks (26), the PHONO switch (16) is set to the PHONO 1 position, and for reproducing the turntable outputs fed to the PHONO 2 input jacks (27), the switch (16) is set to the PHONO 2 position.
  - When using a turntable equipped with either ceramic pickup type cartridge or crystal pickup type cartridge, the setting of the PHONO switch (16) can be set to any position.
- The MODE/TAPE MON switch (17) is now set to the MODE-STEREO position. However, when using a monaural turntable, it should be set to either the MODE-LEFT or MODE-RIGHT position, depending upon which channel input the output cable of the turntable is connected to.

### Direct reproduction of tape head outputs

- When the signal directly derived from the playback head of a tape deck is reproduced through this receiver, the operation will be as follows:
  - The SELECTOR switch (5) is set to either the TAPE HD 7 1/2 or TAPE HD 3 3/4 position, depending upon the speed at which the tape is to be played back.

- The MODE/TAPE MON switch (17) is now set to the MODE-STEREO position. However, when a monaural tape deck is used, it should be set to either the MODE-LEFT or MODE-RIGHT position depending upon which of the two input channels the output cable from the tape deck is connected to.

Note: For playback of a mono material using a stereo tape deck, the MODE/TAPE MON switch (17) should be set to either the MODE-LEFT or MODE-RIGHT position, depending upon which track the material is recorded on.

## Recording and Playback Using Tape Recorder

### Recording

- The signals of the program being reproduced through the loudspeakers are always present at the TAPE REC output jacks (32). Therefore, the SELECTOR switch (5) and MODE/TAPE MON switch (17) are appropriately set to select an optional program source in the normal manner for reproduction through the loudspeakers. Then, the signals from the TAPE REC output jacks (32) can be recorded on the tape recorder.

Note: The VOLUME, BASS, and TREBLE controls of the receiver do not affect the sounds being recorded. The recording level should be adjusted with the level controls of the tape recorder.

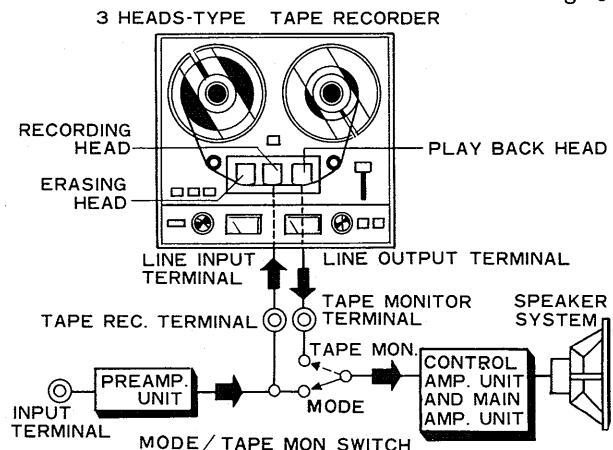
### Playback

- For stereo playback, the MODE/TAPE MON switch (17) is set to the TAPE MON-STEREO position. For playback of mono material using a monaural or stereo tape recorder, the MODE/TAPE MON switch (17) may be set to either the TAPE MON-LEFT or TAPE MON-RIGHT position.

### Tape Monitoring

When using a 2- or 3-head tape recorder equipped with a monitor circuit, by making all connections for recording and playback, it will be possible to monitor the recording in progress by moving the MODE/TAPE MON switch (17) from the MODE-STEREO position to the TAPE MON-STEREO position. In the case of a 2-head tape recorder, the signal being fed to the recording head will be monitored, and in the case of a 3-head tape recorder, the signals recorded on the tape will immediately be monitored by the playback head picking up the recorded signals.

Fig. 9







## CONDITIONS FREQUENTLY MISTAKEN FOR MALFUNCTION

Noise: There are a variety of noises relating to the operation of a hi-fi unit. These are generally divided into two types; (1) the unit is faulty (a transistor or part has deteriorated) and (2) an external source of noise is adding noise to the unit.

When a hi-fi unit produces an unpleasant noise, it is often assumed that the unit is faulty, but statistical records indicate that the majority of noises produced in hi-fi acoustic units result

from external sources of noise. Due to the inherent high sensitivity and the high fidelity in reproduction, the unit amplifies and reproduces extraneous noises, however small, into definite output noise. If your receiver produces a noise, check according to the following table and trace out the source of noise for the appropriate corrective action.

	Symptom	Suspected Source of Noise	Diagnosis and Remedy
When Listening to Broadcast	Continuous or intermittent noise like jjjjjj or zzzzzz.	<ul style="list-style-type: none"> <li>• Static (lightning)</li> <li>• Fluorescent lamp, motor, or thermostat may be used in house or in the vicinity of the house.</li> </ul>	In many cases, it is very difficult to remove the source of noise. In order to make the radio input larger than the noise level, set up a good outdoor antenna and make a complete grounding.
	When a station is tuned in, hum is mixed in the program.	<ul style="list-style-type: none"> <li>• Poor fluorescent lamp, motor, or electric heater may be used in house or near the house.</li> </ul>	Reversing the line plug may occasionally alleviate this noise problem. Usually it is very difficult to eliminate the noise.
	Hissing sound noise in AM (medium wave) reception.	<ul style="list-style-type: none"> <li>• The frequency of an adjacent station is interfering with that of the station being tuned in (10kHz beat interference).</li> <li>• TV set is on in the same house with the receiver.</li> </ul>	Impossible to remove such interference. If the cause of such noise is in the TV set, increase the distance between the TV set and receiver.
	Static noise in FM reception (in particular, when automobiles run close to the house).	<ul style="list-style-type: none"> <li>• White noise generated from automobile engines.</li> <li>• Radio frequency sewing machine or welding machine being used near your house.</li> </ul>	In an area surrounded by hills or high buildings, the FM input signals are very weak. Thus the noise limiter in the circuit loses its function. Set up an outdoor FM antenna having many reflector elements.
	Reception of FM stereo program contains more noise than FM mono program.	<ul style="list-style-type: none"> <li>• Note that the service area covered by an FM stereo broadcast is about 50% of that of a regular mono broadcast.</li> </ul>	Increasing FM input signal may alleviate this problem. Use an exclusive FM outdoor antenna instead of the indoor T-antenna.
When Playing Records	Hum or buzz. When switched to radio reception, the noise disappears.	<ul style="list-style-type: none"> <li>• Poor connection of shielded wire (a).</li> <li>• Jack connection is loose. (b)</li> <li>• Line cord or fluorescent lamp is near the shielded wire. (c)</li> <li>• Poor grounding. (d)</li> <li>• HAM transmitting station or TV transmitting station is near your house. (e)</li> </ul>	Correct the conditions stated in (a), (b), (c) or (d). In case of (e), report it to an official activity.
	Output tone quality is poor and mixed with noise. Treble is not clear.	<ul style="list-style-type: none"> <li>• Stylus is worn out. (a)</li> <li>• Record is worn out. (b)</li> <li>• Dust adheres to stylus. (c)</li> <li>• Stylus is improperly mounted. (d)</li> <li>• Stylus pressure is not proper. (e)</li> <li>• The TREBLE level is too high.</li> </ul>	<p>Check (a) through (e) and correct the condition.</p> <p>Lower the TREBLE level.</p>

Watch for the following conditions; these are also apt to be mistaken for malfunction.

	Symptom	Suspected Source of Noise	Diagnosis and Remedy
	Power is not turned on although the power switch is set to ON.	<ul style="list-style-type: none"> <li>• Fuse is blown. (a)</li> <li>• Line plug is loose. (b)</li> </ul>	Check (a) and (b) and correct the condition.
	In playing a record, increasing the volume causes howling.	<ul style="list-style-type: none"> <li>• Distance between the turntable and the speakers is too short.</li> <li>• The place on which the turntable or speakers are set is unstable.</li> </ul>	<p>Change the distance or rearrange the installation positions of the unit and speakers. (Installing the turntable on a firm, solid stand may alleviate this problem.)</p> <p>Do not enhance the BASS sound level excessively.</p>

# PIONEER

## ALIGNMENT

### Alignment of AM Section

Position of Switch : SELECTOR.....AM

Volume Control Setting : Fully Counterclockwise

STEPS	Input			Dial Setting	Output Equipment & Coupling	Alignment	
	Equipment & Coupling	Freq.	Level			Adjust	Remarks
1	Sweep Generator TP <sub>503</sub>	455KHz	80 dB	Point of no interference as near as 535 KHz	Oscilloscope OUT	T <sub>505</sub>	Adjust to get maximum sensitivity and symmetry
2	" TP <sub>502</sub>	"	60 dB	"	"	T <sub>504</sub> T <sub>505</sub>	"
3	" TP <sub>501</sub>	"	50 dB	"	"	T <sub>503</sub> T <sub>504</sub> T <sub>505</sub>	"
4	Signal Generator Antenna terminal through dummy	600KHz	70 dB (400 Hz 30%)	600 KHz	AC VTVM OUT	T <sub>502</sub>	Adjust to get maximum deflection
5	"	1,400KHz	"	1,400 KHz	"	CT <sub>3</sub>	"
6	Repeat STEPS 4 and 5 several times						
7	"	600KHz	30 dB	600 KHz	"	T <sub>501</sub> Ferrite Antenna (Adjusting core)	"
8	"	1,400KHz	"	1,400 KHz	"	CT <sub>1</sub> CT <sub>2</sub>	"
9	Repeat STEPS 7 and 8 several times						

Position of Switch : SELECTOR.....FM AUTO

AFC.....OFF

MUTING.....OFF

### Alignment of MPX Section

Volume Control Setting : Fully Counterclockwise

Input Signal : Main(L+R) 40.5KHz Deviation(60%) 19KHz Pilot 7.5KHz Deviation(10%)

STEPS	Circuite to be adjusted	Signal Generator Input		Connect VTVM	Alignment		
		Coupling	Input Signal		Adjust	Remarks	
1	SCA Filter	Audio Oscillator to IN	66 KHz 170 mV	AC VTVM TP <sub>703</sub>	L <sub>704</sub>	Adjust to get minimum deflection	
2	"	"	68 KHz 170mV	"	L <sub>705</sub>	"	
3	19 KHz Stage	MPX Generator to FM Antenna terminal	Main (L+R)	DC VTVM TP <sub>702</sub>	L <sub>701</sub> L <sub>702</sub>	Position of VR <sub>702</sub> ...MAX Adjust to get minimum deflection	
4	38 KHz Stage	"	Sub (L-R)	AC VTVM L <sub>OUT</sub> or R <sub>OUT</sub>	L <sub>703</sub>	Adjust to get maximum deflection	
5	Separation Control	"	L	AC VTVM R <sub>OUT</sub>	VR <sub>7</sub>	Position of VR <sub>701</sub> ...Central Point Adjust to get minimum deflection	
6	"	"	R	AC VTVM L <sub>OUT</sub>	"	"	
7	"	"	Main (L+R)	L <sub>OUT</sub> R <sub>OUT</sub>	VR <sub>701</sub>	Adjust to less than 1 dB in the difference of each output	
8	Repeat STEPS 5.6 and 7 several times						
9	Stereo indicator light	"	" 18 dB	"	VR <sub>702</sub>	Adjust to light stereo indicator lamp when MPX signalis applied	



## Alignment of FM Section

Disconnect output terminal of front-end(1,2) from IN terminal of IFunit

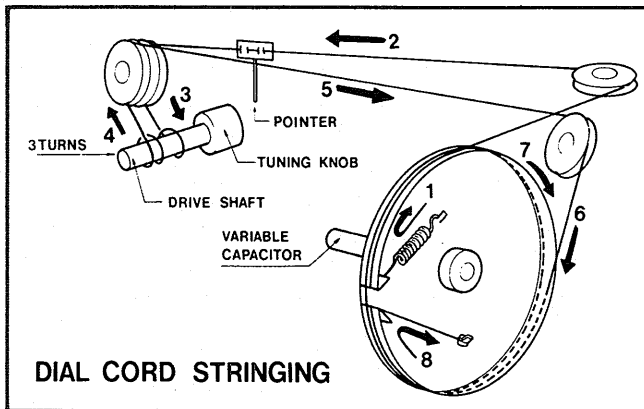
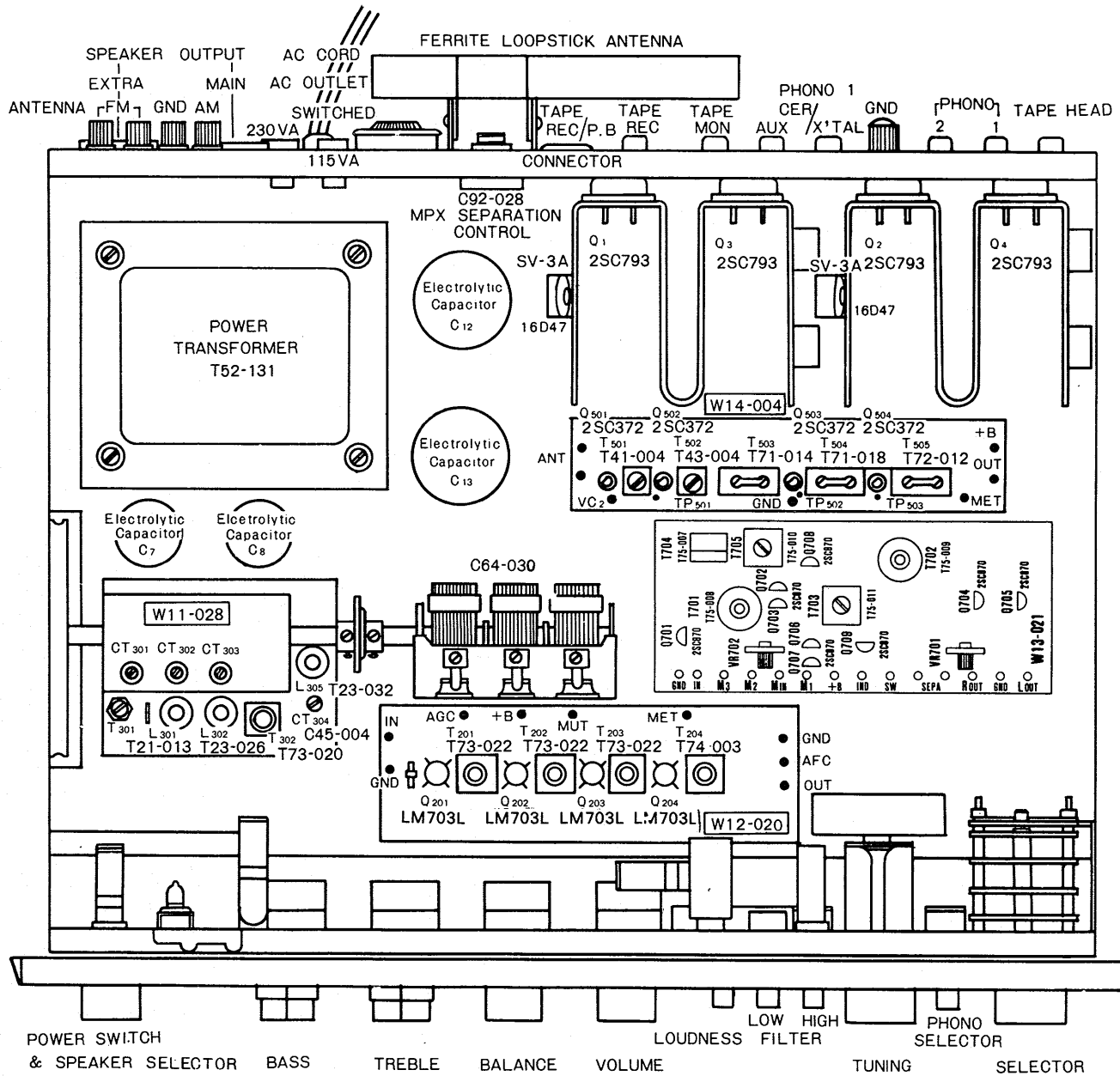
Position of Switch: SELECTOR .....FM MONO

AFC.....OFF

Volume Control Setting : Fully Counter clockwise

STEPS	Input			Dial Setting	Output Equipment & Coupling	Alignment	
	Equipment & Coupling	Freq.	Level			Adjust	Remarks
1	Sweep Generator ----- IN	10.7 MHz	40 dB		Oscilloscope ----- MET	T <sub>201</sub> T <sub>202</sub> T <sub>203</sub>	Adjust to get maximum Sensitivity and symmetry
2	" ----- "	"	80 dB		"		Check gymmetry of curve
3	Remove electrolytic capacitor C <sub>219</sub> (5 $\mu$ F) in detector circuit						
4	" ----- "	"	40 dB		Oscilloscope ----- OUT	T <sub>204</sub>	Adjust primary side of T <sub>204</sub> , so that incline of straight part of "S" curve will be steepest, adjust secondary side so that center of "S" curve will coincide with center of marker
5	Connect output terminal of front-end(1,2) to IN terminal of IF unit						
6	" ----- TP of Front-end	"	40 dB	Point of no interference as near as 88 MHz	" ----- MET	Top of T <sub>302</sub> T <sub>201</sub> T <sub>202</sub> T <sub>203</sub>	Adjust to get maximum sensitivity and symmetry
7	" ----- "	"	80 dB	"	"		Check symmetry of curve
8	" ----- "	"	40 dB	"	" ----- OUT	T <sub>204</sub>	Adjust similarly STEPS 4
9	Connet electrolytic capacitor C <sub>219</sub> (5 $\mu$ F)						
10	Signal Generator ----- FM Antenna terminal	90 MHz	20 dB ----- (400Hz, 30%)	90 MHz	Oscilloscope VTVM ----- OUT	L <sub>303</sub>	Adjust to get maximum deflection
11	" ----- "	106MHz	" ----- "	106 MHz	" ----- "	CT <sub>301</sub>	"
12	Pepeat STEPS 10 and 11 several times						
13	" ----- "	90MHz	" ----- "	90M Hz	" ----- "	T <sub>301</sub> L <sub>301</sub> L <sub>302</sub>	"
14	" ----- "	106MHz	" ----- "	106 MHz	" ----- "	CT <sub>302</sub> CT <sub>303</sub>	"
15	Repeat STEPS 13 and 14 several times						

# PIONEER



# PARTS LIST

## CAPACITORS

IN  $\mu\text{F}$  10% TOLERANCE UNLESS OTHERWISE NOTED P: $\mu\text{F}$

Symbol	Description	Part No.
C1	ceramic 180P 50V	
C2	" " "	
C3	mylar 0.03 "	
C4	" " "	
C5	" 0.2 "	
C6	" " "	
C7	electrolytic 1000 "	
C8	" " "	
C9	" 0.47 $\pm 20\%$ 25V	
C10	ceramic 22P 50V	
C11	styrol 1000p "	
C12	electrolytic 1000 100V	
C13	" " "	
C14	Ceramic 0.01	C43-003-0
C15	" " "	C43-003-0
C16	" " "	"
C17	Electrolytic 0.22 25V	
C18	" " "	
VC1	AM variable capacitor	C64-030-0

## RESISTORS

IN OHM, 10% TOLERANCE 1/4 WATT UNLESS OTHERWISE NOTED  
K:K $\Omega$  M:M $\Omega$

Symbol	Description	Part No.
R1	Carbon film 68K	
R2	" " "	
R3	" 1M	
R4	" " "	
R5	" 100K	
R6	" " "	
R7	" 68K	
R8	" 2.2K	
R9		
R10	Compound part	W52-004-0
R11		
R12		
R13	Carbon film 150K	
R14	" " "	
R15	" 15K	
R16	" " "	
R17	" 12K	
R18	" " "	
R19	" 150K	
R20	" " "	
R21	" 33K	
R22	" " "	
R23	" 100 $\frac{1}{2}$ W	
R24	" " "	
R25	" " "	
R26	" " "	
R27	Wire wound 0.7 8% 5W	
R28	" " "	
R29	" " "	
R30	" " "	
R31	" " "	
R32	" " "	
R33	Carbon film 150 3W	
R34	" " "	
R35	" 220K $\frac{1}{2}$ W	
R36	" 560 2W	
R39	" 47K	
R40	Wire wound 330 2W	
R41	" " "	
R42	Carbon film 4.7K	
R43	" " "	
R44	Carbon film 1M $\frac{1}{2}$ W	

## DIODES AND TRANSISTORS

Symbol	Description	Part No.
D1	SV-3A Diode	
D2	" "	
Q1	2SC793 Transistor	
Q2	" "	
Q3	" "	
Q4	" "	
Th1	16D-47 Thermistor	
Th2	" "	

## COILS AND TRANSFORMER

Symbol	Description	Part No.
	Power transformer	T52-131-A
L1	AM Ferriteloopstick Antenna coil	T42-014-A
L2	Heater chork coil	T42-025-A
	" "	"

## SWITCHES

Symbol	Description	Part No.
S1	Input Selector	S16-037-C
S2	Mode Selector	S16-038-B
S3	Output Selector	S11-020-0
S4	Toggle Switch	S42-001-C
S5	" "	"
S6	" "	"
S7	" "	"
S8	" "	"
S9	" "	"

## COMPOUND PART

Symbol	Description	Part No.
	TAPE REC terminal	W52-004-0

## POTENTIOMETERS

Symbol	Description	Part No.
VR1	250K dual Volume	C82-038-0
VR2	100K dual Treble	C87-018-0
VR3	" Bass	"
VR4	50K dual Balance	C85-052-0
VR5	300 $\Omega$ Current Control	C92-037-0
VR6	" "	"
VR7	10K MPX Separation Control	C92-028-0

## MISCELLANEOUS

Description	Part No.
FM Front end	W11-028-D
FM IF unit	W12-020-C
MPX unit	W13-021-F
AM Tuner unit	W14-004-D
Head amp unit	W15-089-0
Control amp unit	W15-090-0
Main amp unit	W15-091-0

Power Supply unit	W16-010-0
Front Panel	M21-224-C
Metal case	M33-086-F
Wooden case	CA-20-1
Foot	M61-003-0
Screw, to fix metal case	B11-022-B
Dial Pulley (for tuning capacitor)	M42-027-0
Dial Pulley	M42-009-A
Dial Spring	E31-066-A
Dial Scale	A33-065-0
Dial Pointer	A31-080-A
Bracket	A59-030-0
Tuning Meter	A91-007-0
Pilot Lamp 6.3V 250mA	E22-013-0
" 6.3V 150mA	E22-006-0
Pilot lamp for FM stereo	E22-011-A
3A Fuse	E21-006-0
1.5A Fuse	E21-012-0
Pilot lamp socket	K42-003-0
LINE VOLTAGE SELECTOR	S11-018-0
Head phone jack	K72-006-A
Connector 5p for Tape Recorder	K93-003-B
A. C. Outlet	K82-007-B
Outlet for Speaker	K73-003-A
Power Transistor Socket	K31-018-0
Knob Tuning	A11-119-0
Knob Selector	A11-109-0
Knob, Volume, Balance	A11-112-A
Knob, Mode, Output Selector	A11-115-A
Knob, Bass, Treble (L)	A11-135-0
Knob, Bass, Treble (R)	A11-138-0

R309	"	2.2K	"
R310	"	1.5K	"
R311	"	22K	"
R312	"	"	"
R313	"	3.3K	"

### COILS AND TRANSFORMER

Symbol	Description	Part No.
T301	FM ANT coil	T22-013-0
T302	FM IF Transformer	T73-020-0
L301	RF coil	T21-013-0
L302	"	T23-026-C
L303	RF Choke coil	T24-028-0
L304	"	"
L305	OSC coil	T23-032-0

### DIODES AND TRANSISTORS

Symbol	Description	Part No.
Q301	2SK19 FET	
Q302	SE3001 Transistor	
Q303	"	
D301	1S351 Variable Capacitor Diode	

### FM IF. UNIT (W12-020)

#### CAPACITORS

Symbol	Description	Part No.
C201	Ceramic 0.01 $\begin{matrix} +100\% \\ -0 \end{matrix}$ 25V	
C202	" " " " "	
C203	" " " " "	
C204	" " " " "	
C205	" 10P " 50V	
C206	Mylar 0.1 $\pm 20\%$ "	
C207	Ceramic 0.01 $\begin{matrix} +100\% \\ -0 \end{matrix}$ 25V	
C208	" " " " "	
C209	" " " " "	
C210	" " " " "	
C211	Mylar 0.1 $\pm 20\%$ 50V	
C212	Ceramic 3P $\pm 0.25P$ "	
C213	" 0.01 $\begin{matrix} +100\% \\ -0 \end{matrix}$ 25V	
C214	" 100P " 50V	
C215	" 0.01 $\begin{matrix} +100\% \\ -0 \end{matrix}$ 25V	
C216	" " " " "	
C217	" 300P " 50V	
C218	Electrolytic 1 $\pm 20\%$ 25V	
C219	" 5 " 10V	
C220	Ceramic 10P " 50V	

### FM FRONT-END UNIT (W11-028)

#### CAPACITORS

Symbol	Description	Part No.
C301	Ceramic 1000P $\begin{matrix} +100\% \\ -0 \end{matrix}$ 25V	
C304	Feed Thru 1000P $\begin{matrix} +200\% \\ -0 \end{matrix}$ 500V	C47-005-A
C305	" " " " "	"
C306	Ceramic 10P $\pm 0.5P$ 50V	
C307	" " " " "	
C308	" " " " "	
C309	" 3P " " "	
C310	Feed Thru 100P " 500V	C47-004-0
C311	Ceramic 1P " " "	
C312	Feed Thru 1000P $\begin{matrix} +200\% \\ -0 \end{matrix}$ " "	C47-005-A
C313	Ceramic 0.01 $\begin{matrix} +100\% \\ -0 \end{matrix}$ 25V	
C314	Feed Thru 1000P $\begin{matrix} +200\% \\ -0 \end{matrix}$ 500V	C47-005-A
C315	Ceramic 5P $\pm 0.5P$ 50V	
C316	" 12P " " "	
C317	" 7P " " "	
C318	Feed Thru 1000P $\begin{matrix} +200\% \\ -0 \end{matrix}$ 500V	C47-005-A
C319	" " " " "	"
C320	" " " " "	"
C321	Ceramic 10P " 50V	
C322	" 30P " " "	
CV301	" " " " "	C64-036-A
CV302	4 gang air	
CV303	variable capacitor	
CV304	" " " " "	
CT304	Cylinder trimmer	C45-004-B

#### RESISTORS

Symbol	Description	Part No.
R301	Carbon film 100K $\frac{1}{8}W$	
R302	" 1M " "	
R303	" 220 $\Omega$ " "	
R304	Carbon film 3.9K $\frac{1}{8}W$	
R305	" 22K " "	
R306	" 1K " "	
R307	" 220 $\Omega$ " "	
R308	" 8.2K " "	

#### RESISTORS

Symbol	Description	Part No.
R201	Carbon film 470	
R202	" 56K	
R203	" 470	
R204	" 56K	
R205	" 10K	
R206	" 2.2K	
R207	" 6.8K	
R208	" 10C	
R209	" 220K	
R210	" 220	
R211	" 820	
R212	" 47K	
R216	" 150 $\Omega$	

### DIODES AND TRANSISTORS

Symbol	Description	Part No.
D201	IN60 diode	
D203	"	
D204	"	
D205	"	
D206	"	
Q201	LM703L-BL I.C.	
Q202	LM703L or BL "	
Q203	LM703L-BL "	
Q204	"	

### COIL AND TRANSFORMERS

Symbol	Description	Part No.
L201	RF choke coil	T24-029-0
T201	IF Transformer	T73-022-0
T202	"	"
T203	"	"
T204	"	T74-003-0

### COMPOUND PART

Symbol	Description	Part No.
W201	Discriminator	W53-040-0

### FM MPX. UNIT (W13-021)

#### CAPACITORS

Symbol	Description	Part No.
C701	Electrolytic 2.2 10V	C51-022-0
C702	Mylar 0.02 50V	
C703	Ceramic 68P	
C704	Styrol 0.02 ± 5%	
C705	Electrolytic 10 10V	
C706	Styrol 0.005 ± 5%	
C707	" "	
C708	" "	
C709	Electrolytic 4.7 ± 20% 15V	
C710	" "	
C711	" 0.47 25V	
C712	" "	
C713	" 33 10V	
C714	Styrol 0.005 ± 5%	
C715	" 0.0033	
C716	Electrolytic 22 10V	
C717	" 10	
C718	" "	
C719	Styrol 0.015 ± 5%	
C720	Electrolytic 1 10V	
C721	" 22 25V	
C724	Ceramic 0.04 +100% -0 50V	

#### RESISTORS

Symbol	Description	Part No.
R701	Carbon film 100k 1/8W	
R702	" 1k "	
R703	" 47K "	
R704	" 68K "	
R705	" 220 "	
R706	" 1k "	
R707	" 4.7K "	
R709	" 100K "	
R710	" 47K "	
R711	" "	
R712	" 12K "	
R713	" 3.3K "	
R714	" 56K "	

R715	Carbon film 56K 1/8W
R716	" 100 "
R717	" 10K 5% "
R718	" 12K "
R719	" " "
R720	" 0K "
R721	" 100K "
R722	" " "
R723	" 330K "
R724	" " "
R725	" 47K "
R726	" " "
R727	" 15K "
R728	" " "
R729	" 1.5K "
R730	" " "
R731	" 33K "
R733	" 47K "
R734	" 33K "
R735	" 100 "
R736	" 10K "
R737	" " "
R738	" 3.3K "
R739	" 680 "
R740	" 4.7K "
R741	" 15K "
R742	" " "
R743	" 2.2K "

### DIODES AND TRANSISTORS

Symbol	Description	Part No.
D701	0A79 diode	
D702	"	
D703	"	
D704	"	
D705	"	
D706	1N60 diode	
Q701	2SC870 Transistor	
Q702	"	
Q703	"	
Q704	"	
Q705	"	
Q706	"	
Q707	"	
Q708	"	
Q709	"	

### COILS AND TRANSFORMERS

Symbol	Description	Part No.
T701	19kHz Transformer	T75-020-A
T702	38kHz Transformer	T75-021-A
T703	19kHz Transformer	T75-011-A
T704	S.C.A Filter Coil	T75-007-A
T705	19kHz Filter Coil	T75-010-A

### POTENTIOMETERS

Symbol	Description	Part No.
VR701	1k $\Omega$ Left and Right Level Adjust	C92-022-0
VR702	300 $\Omega$ Auto Level Adjust	C92-026-0

### AM TUNER UNIT (W14-004)

#### CAPACITORS

Symbol	Description	Part No.
C501	Ceramic 0.04 +80% -20% 25V	
C502	" " " "	

## HEAD AMP. UNIT (W15-089)

C503	"	"	"	"
C504	"	"	"	"
C506	"	0.01	"	"
C507	Styrol	410P		50V
C508	"	0.04	+80% -20%	25V
C509	"	"	"	"
C510	Electrolytic	10		15V
C511	Ceramic	5P		50V
C512	"	0.04	+80% -20%	25V
C513	"	"	"	"
C514	Electrolytic	10		15V
C515	Ceramic	0.04	+80% -20%	25V
C516	"	"	"	"
C517	"	2P		50V
C518	"	0.04	+80% -20%	25V
C519	"	30P		50V
C521	Electrolytic	200		15V
C522	Ceramic	0.01	+80% -20%	25V
C523	"	0.005	"	"

## CAPACITORS

Symbol	Description		Part No.
C101	Electrolytic	10	10V
C102	"	"	"
C103	Styrol	500P	50V
C104	"	"	"
C105	Electrolytic	10	10V
C106	"	"	"
C107	Styrol	100P	50V
C108	"	"	"
C109	Electrolytic	100	25V
C110	"	"	"
C111	"	"	3V
C112	"	"	"
C113	"	10	15V
C114	"	"	"
C115	mylar	0.01	50V
C116	"	"	"
C117	"	0.003	"
C118	"	"	"
C119	"	"	"
C120	"	"	"

## RESISTORS

Symbol	Description		Part No.
R501	Carbon film	330K $\frac{1}{8}$ W	
R502	"	2.2K	"
R503	"	47K	"
R504	"	1K	"
R505	"	2.2K	"
R506	"	3.3K	"
R507	"	27K	"
R508	"	1K	"
R509	"	2.2K	"
R510	"	470 $\Omega$	"
R511	"	220 $\Omega$	"
R513	"	47K	"
R514	"	220K	"
R515	"	2.2K	"
R516	"	2.7K	"
R517	"	2.2K	"
R518	"	12K	"
R519	"	8.2K	"
R520	"	"	"
R521	"	47K	"
R522	"	1K	"
R524	"	100 $\Omega$	"
R525	"	2.2K	"
R526	"	470 $\Omega$	"
R527	"	22K	"

## RESISTORS

Symbol	Description		Part No.
R101	Carbon film	270K	
R102	"	"	
R103	"	390	
R104	"	"	
R105	"	100K	
R106	"	"	
R107	"	330K	
R108	"	"	
R109	"	33K	
R110	"	"	
R111	"	330K	
R112	"	"	
R113	"	27K	
R114	"	"	
R115	"	1M	
R116	"	"	
R117	"	15K	
R118	"	"	
R119	"	"	
R120	"	"	
R121	"	2.2K	
R122	"	"	
R123	"	10K	
R124	"	"	
R125	"	220	
R126	"	"	
R127	"	1K	
R128	"	"	

## COILS AND TRANSFORMERS

Symbol	Description	Part No.
T501	AM RF coil	T41-007-A
T502	OSC coil	T43-004-O
T503	IF Transformer	T71-014-A
T504	"	T71-018-O
T505	"	T72-012-A

## DIODES AND TRANSISTORS

Symbol	Description	Part No.
D501	1N60 Diode	
D502	"	
D503	"	
D504	"	
Q501	2SC372 Transistor	
Q502	"	
Q503	"	
Q504	"	

## TRANSISTORS

Symbol	Description	Part No.
Q101	2SC458LG Transistor	
Q102	"	
Q103	"	
Q104	"	



## CONTROL AMP. UNIT (W15-090)

### CAPACITORS

Symbol	Description			Part No.
C1	Electrolytic	0.47	25V	
C2	"	"	"	
C3	Mylar	0.22	50V	
C4	"	"	"	
C5	Electrolytic	1	16V	
C6	"	"	"	
C7	"	100	50V	
C8	"	"	"	
C9	Mylar	4700P	"	
C10	"	"	"	
C11	"	"	"	
C12	"	"	"	
C13	Electrolytic	50	25V	
C14	"	"	"	
C15	"	33	6.3V	
C16	"	"	"	
C17	"	3.3	25V	
C18	"	"	"	
C19	Mylar	2200P	50V	
C20	"	"	"	
C21	"	0.01	"	
C22	"	"	"	
C23	"	0.033	"	
C24	"	"	"	
C25	"	0.1	"	
C26	"	"	"	

### RESISTORS

LN: LOW NOISE

Symbol	Description	Part No.
R1	Carbon film(LN)	330K
R2	"	"
R3	"	33K
R4	"	"
R5	"	8.2K
R6	"	"
R7	"	1K
R8	"	"
R9	"	"
R10	"	"
R11	Carbon film	2.2K
R12	"	"
R13	"	6.8K
R14	"	"
R15	"	"
R16	"	"
R17	Carbon film(LN)	1K
R18	"	"
R19	"	330K
R20	"	"
R21	Carbon film	47K
R22	"	"
R23	Carbon film(LN)	8.2K
R24	"	"
R25	Carbon film	1.5K
R26	"	"
R27	"	330K
R28	"	"
R29	"	10K
R30	"	"
R31	"	2.2K
R32	"	"
R33	"	4.7K
R34	"	"
R35	"	18K
R36	"	"

## TRANSISTORS

Symbol	Description	Part No.
Q1	2SC871	
Q2	"	
Q3	2SC870	
Q4	"	

## MAIN AMP. UNIT (W15-091)

### CAPACITORS

Symbol	Description			Part No.
C801	Electrolytic	10	15V	
C802	"	"	"	
C803	"	"	"	
C804	"	"	"	
C805	Mylar	0.05	50V	
C806	"	"	"	
C807	Electrolytic (non Polar)	5	25V	
C808	"	"	"	
C809	Electrolytic	"	"	
C810	"	"	"	
C811	mylar	0.05	50V	
C812	"	"	"	
C813	Electrolytic	100	"	
C814	"	"	"	
C815	Ceramic	100P	"	
C816	"	"	"	
C817	Electrolytic	50	3 V	
C818	"	"	"	
C819	Ceramic	220	500V	
C820	"	"	"	

### DIODES AND TRANSISTORS

Symbol	Description	Part No.
D801	~ D804 IN60 Diode	
D805	OA79 Diode	
D806	"	
Q801	2SC458LG Transistor	
Q802	"	
Q803	2SC627 Transistor	
Q804	"	
Q805	2SC485 Transistor	
Q806	"	
Q807	2SA537A Transistor	
Q808	"	
Q809	2SC627 Transistor	
Q810	"	
Q811	2SC538A Transistor	
Q812	"	

## RESISTORS

Symbol	Description	Part No.
R803	Carbon film 68K	
R804	" "	
R805	" 47K	
R806	" "	
R807	" 4.7K	
R808	" "	
R809	" 1K	
R810	" "	
R811	" 150	
R812	" "	
R813	" 470K	
R814	" "	
R815	" 330K	
R816	" "	
R817	" 220	
R818	" "	
R819	" 4.7K $\frac{1}{2}W$	
R820	" "	
R821	" 150K	
R822	" "	
R823	" 180K	
R824	" "	
R825	" 3.3K	
R826	" "	
R827	" 10K	
R828	" "	
R829	Wire wound 10 2W	
R830	" "	
R831	Carbon film 8.2K	
R832	" "	
R833	" 2.2K	
R834	" "	
R835	" 5.6K	
R836	" "	
R837	" 33K	
R838	" "	
R839	" 2.2K	
R840	" "	
R841	" 150	
R842	" "	
R843	" 220	
R844	" "	
R845	" 33	
R846	" "	
R847	" 220	
R848	" "	

## POTENTIOMETERS

Symbol	Description	Part No.
VR801	30K $\Omega$ semi fixed	C92-024-B
VR802	"	"

## POWER SUPPLY UNIT (W16-010)

### CAPACITORS

Symbol	Description	Part No.
C901	Electrolytic 100 50V	
C902	" 10 "	
C903	" 100 "	
C904	" 200 25V	
C905	" " "	
C906	" " 15V	

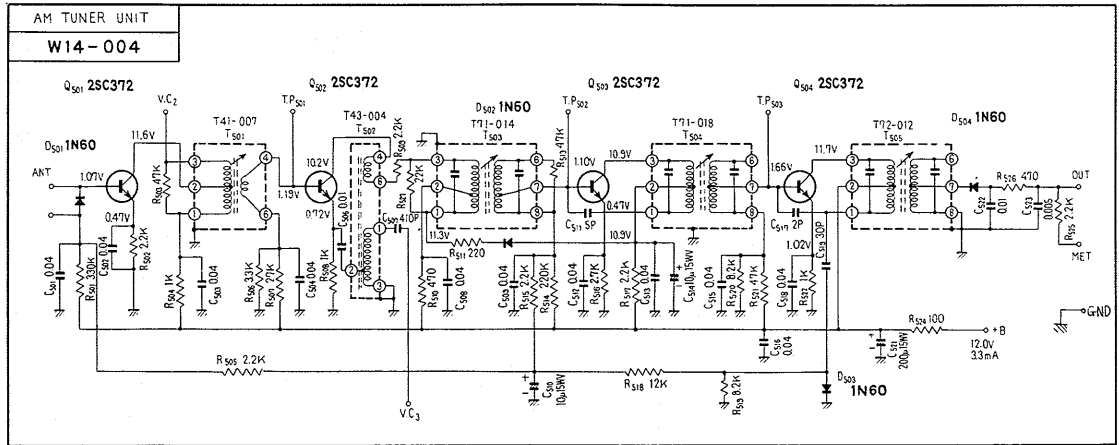
## RESISTORS

Symbol	Description	Part No.
R901	wire wound 1K 2 W	
R902	Carbon film 22K $\frac{1}{2}W$	
R903	" 33K 5% "	
R904	" 18K " "	
R905	" 3.3K " "	
R906	" 47 " "	
R907	" " " "	
R908	" 680 " "	

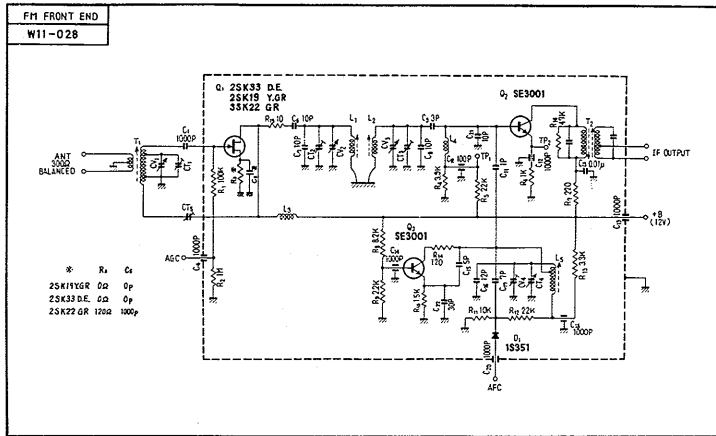
## DIODES AND TRANSISTORS

Symbol	Description	Part No.
D901	SW-1-02 Diode	
D902	"	
D903	"	
D904	"	
D905	SD-1 Diode	
D906	"	
D907	SZ-200-13 OR IS-338Q Zener Diode	
Q901	2SC627 Transistor	
Q902	2SC620 Transistor	
Q903	2SC486 Transistor	

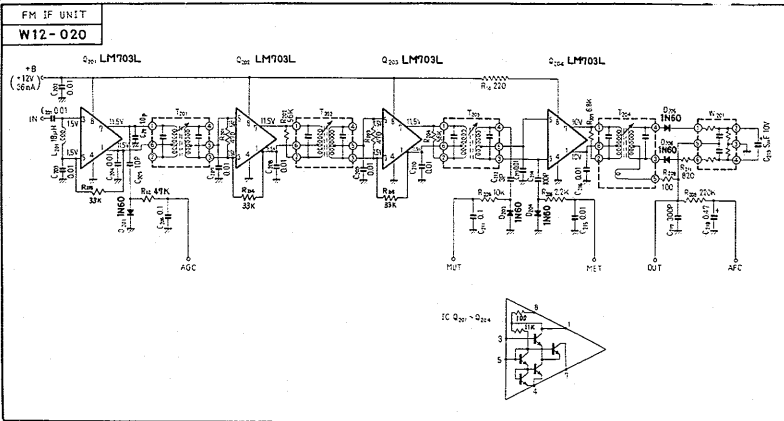
# AM TUNER UNIT



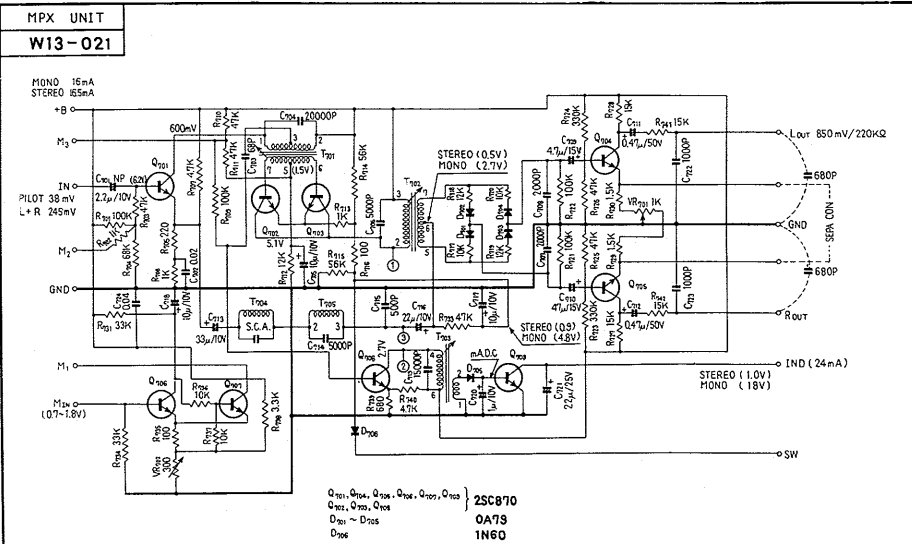
# FM FRONT END



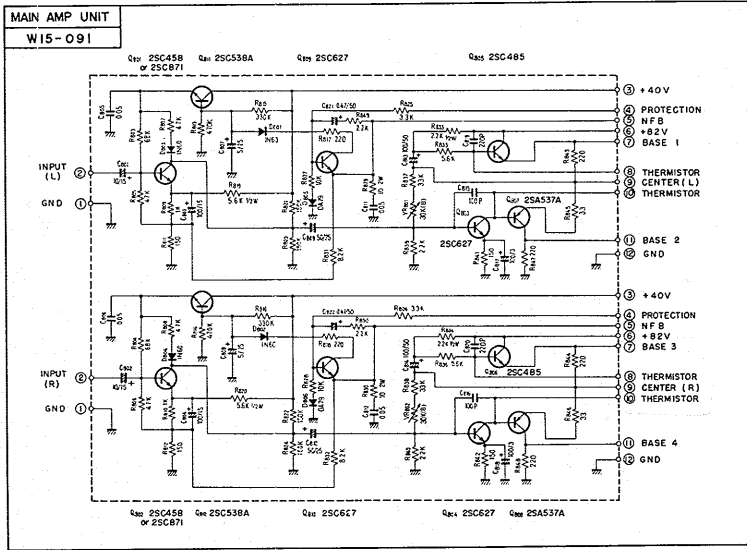
# FM IF UNIT



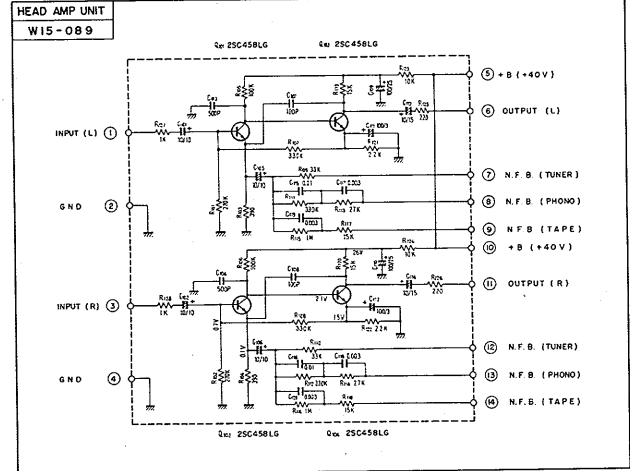
# MPX UNIT



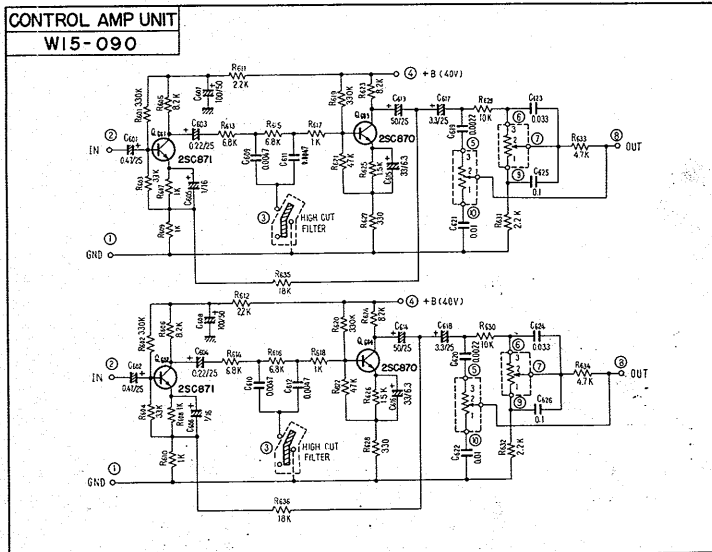
# MAIN AMP UNIT



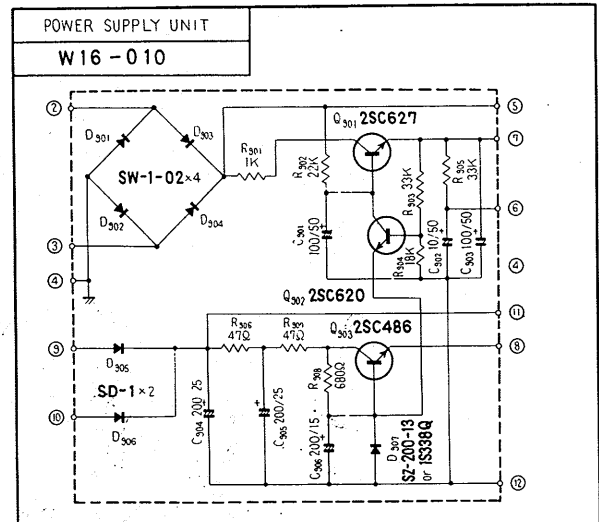
# HEAD AMP UNIT



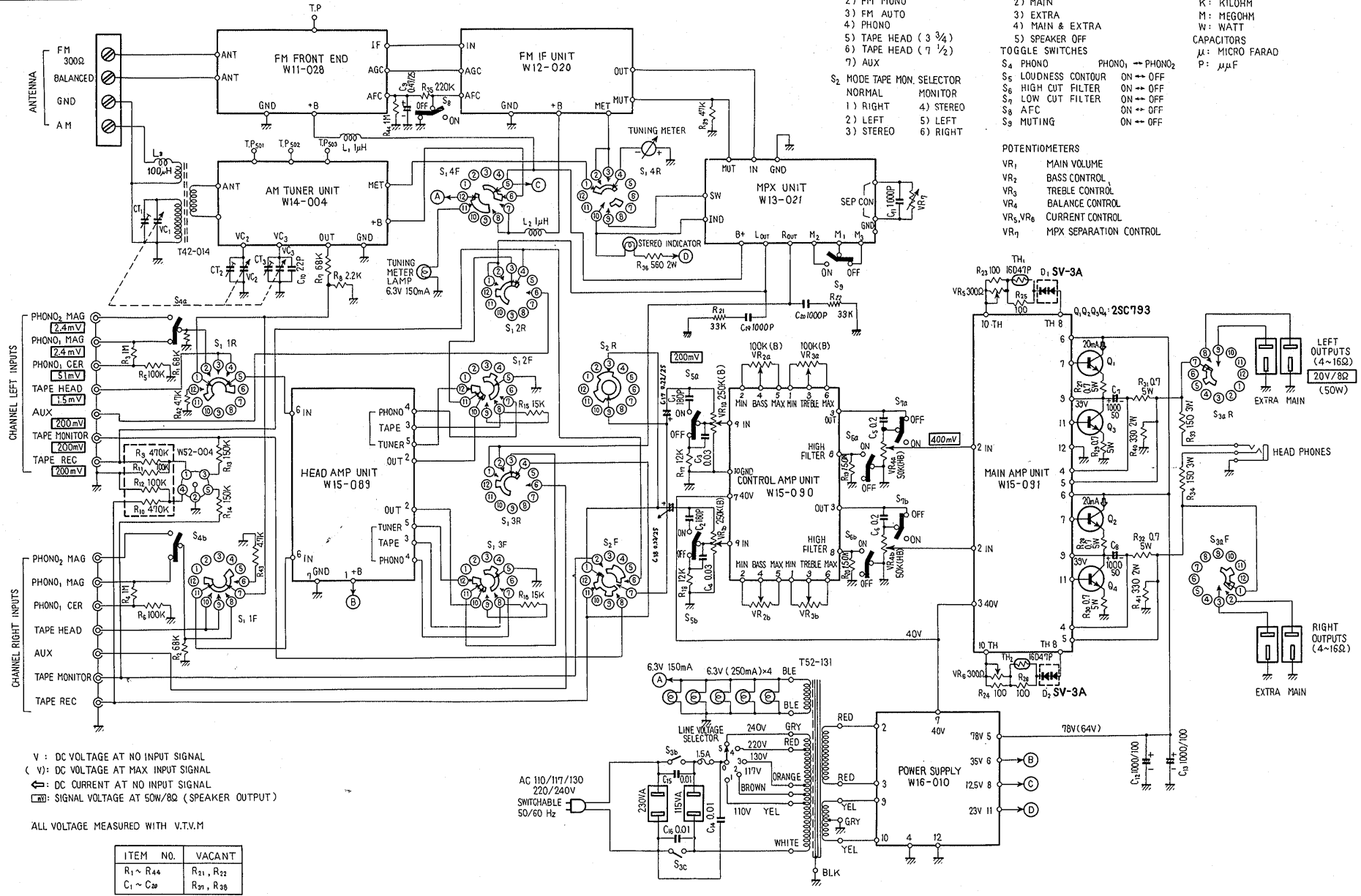
# CONTROL AMP UNIT



# POWER SUPPLY UNIT



# SX-1000TW



- S<sub>1</sub> SELECTOR**
- 1) AM
  - 2) FM MONO
  - 3) FM AUTO
  - 4) PHONO
  - 5) TAPE HEAD (3 3/4)
  - 6) TAPE HEAD (7 1/2)
  - 7) AUX
- S<sub>2</sub> MODE TAPE MON. SELECTOR**
- 1) RIGHT
  - 2) LEFT
  - 3) STEREO
  - 4) STEREO
  - 5) LEFT
  - 6) RIGHT
- S<sub>3</sub> OUTPUT SELECTOR**
- 1) POWER OFF
  - 2) MAIN
  - 3) EXTRA
  - 4) MAIN & EXTRA
  - 5) SPEAKER OFF
- TOGGLE SWITCHES**
- S<sub>4</sub> PHONO PHONO<sub>1</sub> ↔ PHONO<sub>2</sub>
- S<sub>5</sub> LOUDNESS CONTOUR ON ↔ OFF
- S<sub>6</sub> HIGH CUT FILTER ON ↔ OFF
- S<sub>7</sub> LOW CUT FILTER ON ↔ OFF
- S<sub>8</sub> AFC ON ↔ OFF
- S<sub>9</sub> MUTING ON ↔ OFF
- POTENTIOMETERS**
- VR<sub>1</sub> MAIN VOLUME
- VR<sub>2</sub> BASS CONTROL
- VR<sub>3</sub> TREBLE CONTROL
- VR<sub>4</sub> BALANCE CONTROL
- VR<sub>5</sub>, VR<sub>6</sub> CURRENT CONTROL
- VR<sub>7</sub> MPX SEPARATION CONTROL

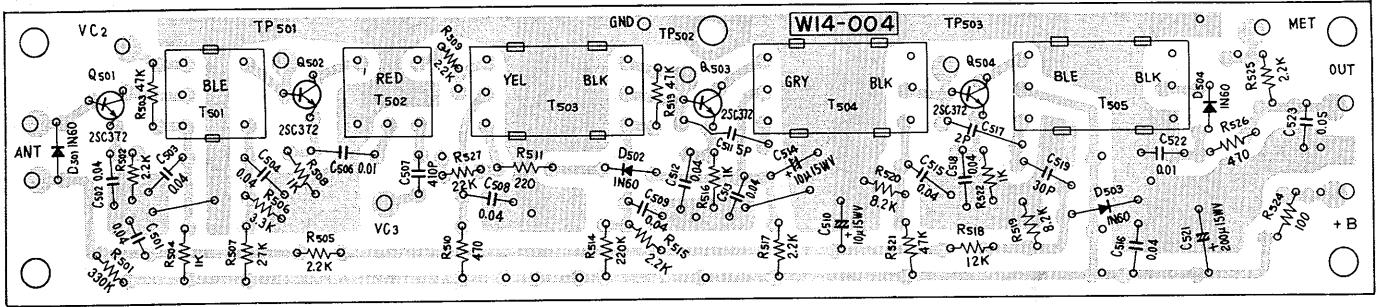
**RESISTORS**  
 NONMARK-OHM  
 K: KILOHM  
 M: MEGOHM  
 W: WATT  
**CAPACITORS**  
 μ: MICRO FARAD  
 P: μμF

V : DC VOLTAGE AT NO INPUT SIGNAL  
 (V) : DC VOLTAGE AT MAX INPUT SIGNAL  
 ← : DC CURRENT AT NO INPUT SIGNAL  
 [ ] : SIGNAL VOLTAGE AT 50W/8Ω (SPEAKER OUTPUT)

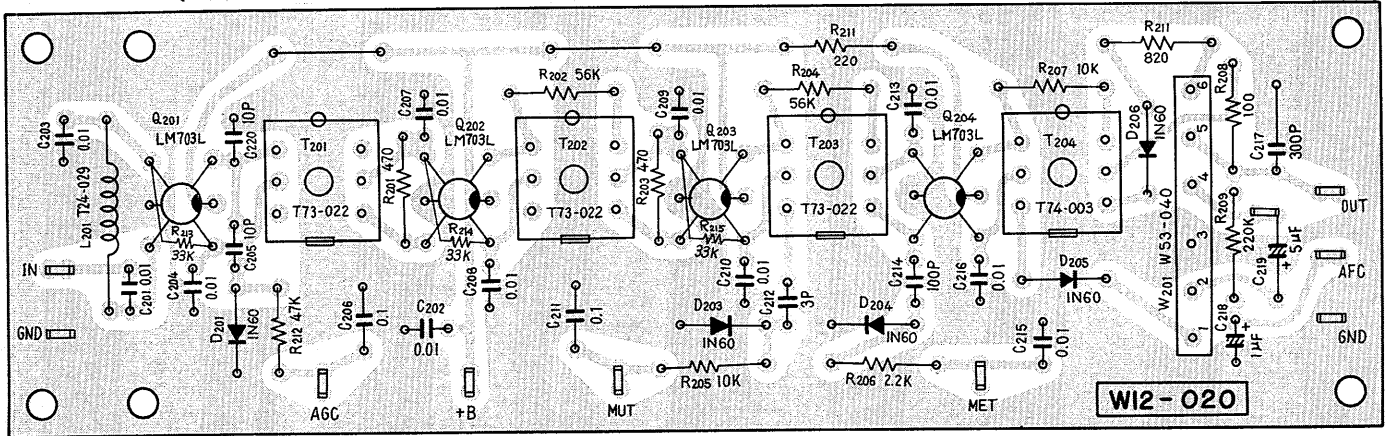
ALL VOLTAGE MEASURED WITH V.T.V.M

ITEM NO.	VACANT
R <sub>1</sub> ~ R <sub>44</sub>	R <sub>21</sub> , R <sub>22</sub>
C <sub>1</sub> ~ C <sub>20</sub>	R <sub>31</sub> , R <sub>38</sub>

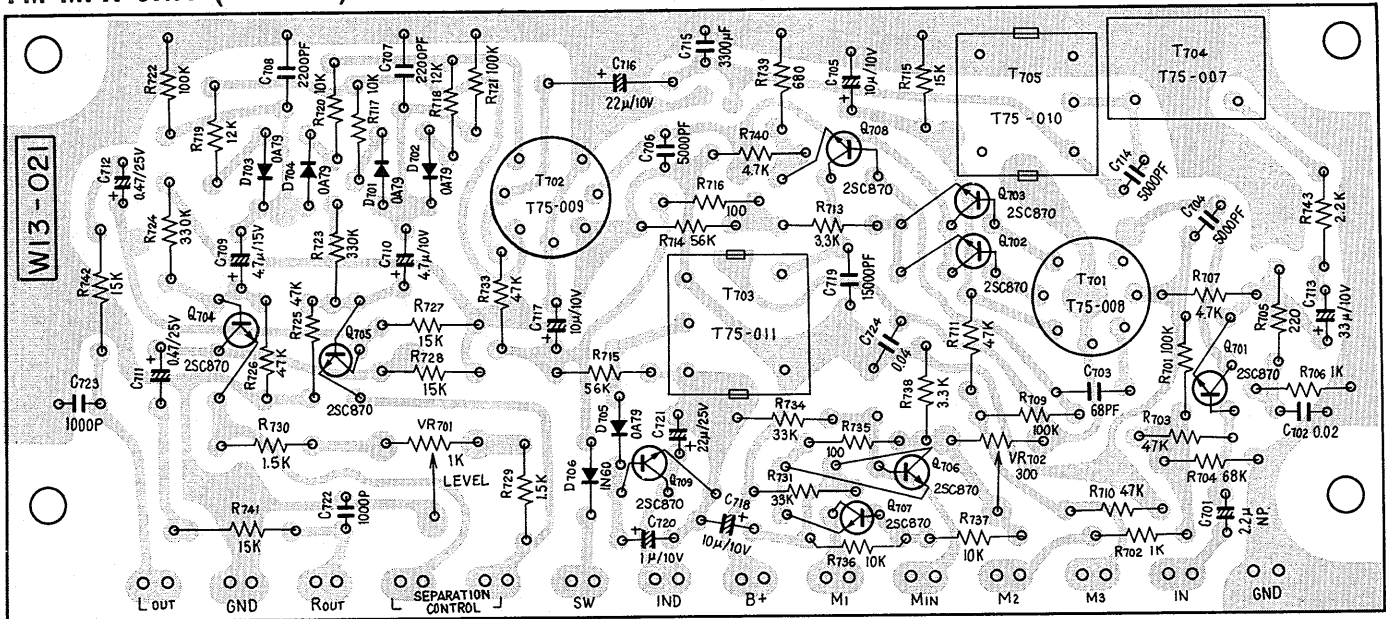
# AM TUNER UNIT (W14-004)



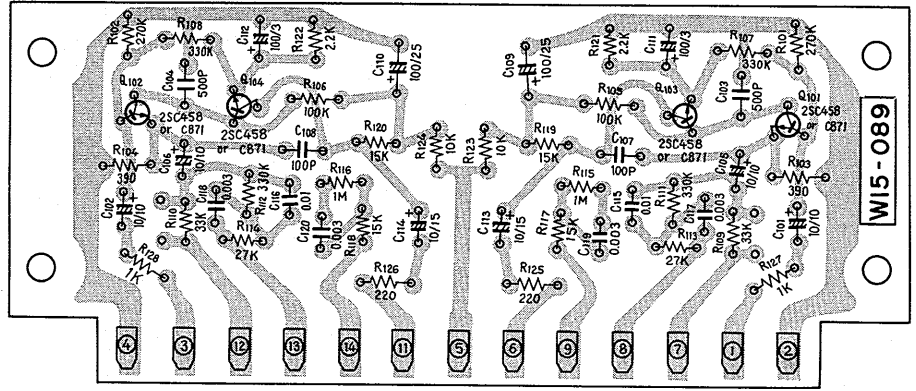
# FM IF UNIT (W12-020)



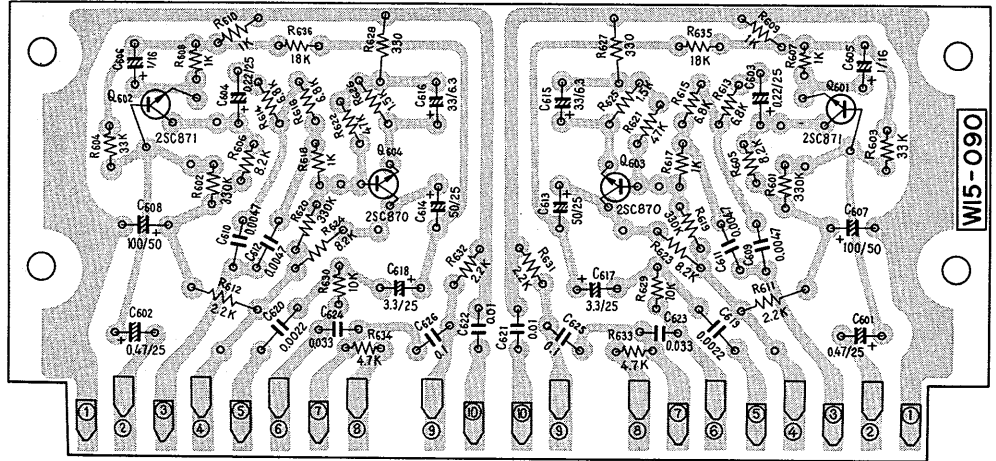
# FM MPX UNIT (W13-021)



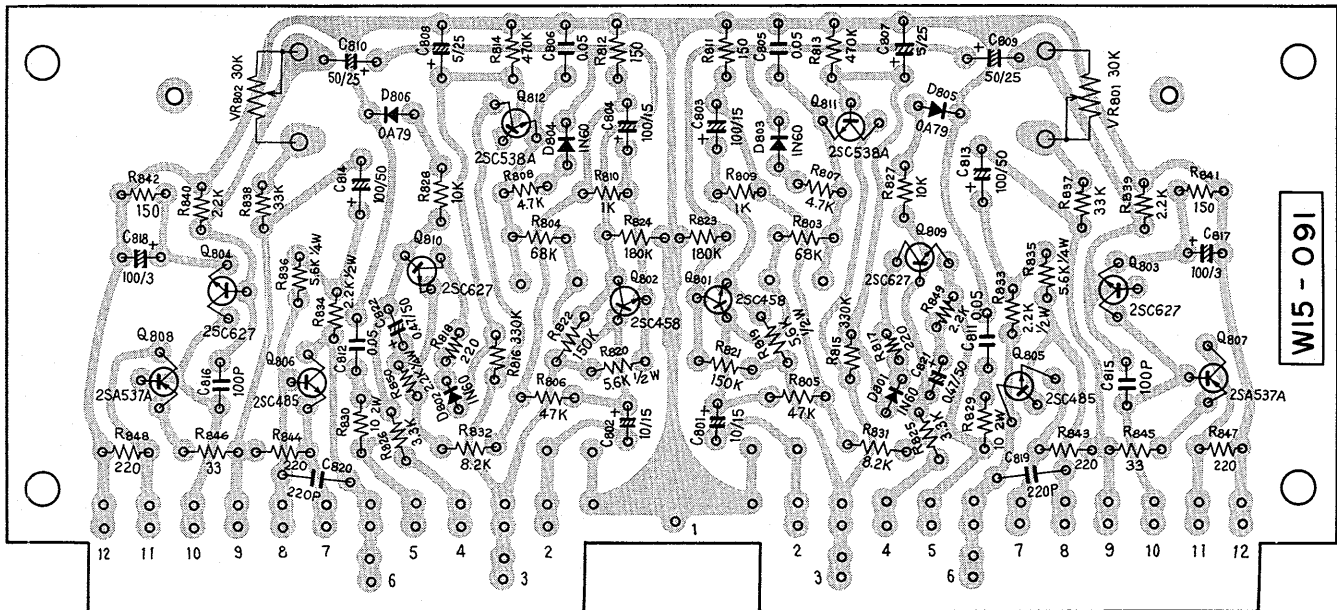
# HEAD AMP. UNIT (W15-089)



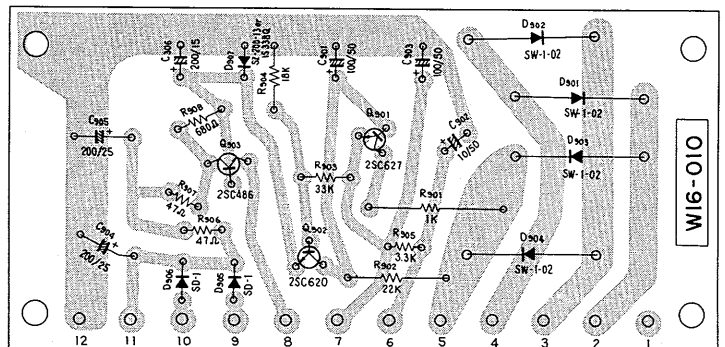
# CONTROL AMP. UNIT (W15-090)



# MAIN AMP. UNIT (W15-091)



# POWER SUPPLY UNIT (W16-010)



## SPECIFICATIONS

### ● SEMICONDUCTORS

Tuner Section	
IC .....	4
FET .....	1
Transistors.....	15
Diodes .....	17
Audio Section	
Transistors.....	27
Diodes and etc .....	17

### ● FM SECTION

Circuitry	Front-end using "FET" and 4 gang variable air capacitor, IF amplifier using 4 "IC".
Frequency Range	87~108MHz
IHF Usable	
Sensitivity	1.7 $\mu$ V
Image Rejection	76dB (at 98MHz)
Signal to Noise Ratio	65dB (IHF Rating)
Capture Ratio	1dB (at 98MHz)
Antenna Input	300 ohms (balanced)

### ● MPX SECTION

Circuitry	Time-switching type de-modulator FM Mono Stereo Automatic selection
Channel Separation	37dB (at 1kHz)

### ● AM SECTION

Circuitry	Superheterodyne
Frequency Range	525~1605kHz
IHF Usable	
Sensitivity	20 $\mu$ V
Image Rejection	60dB (at 1000kHz)
Antenna Input	Built-in Ferrite Loopstick antenna

### ● AUDIO SECTION

Circuitry	Single ended push-pull
Music Power Output	4 $\Omega$ 150 } watts total (IHF rating)
RMS Rated Power Output	8 $\Omega$ 130 }
	8 $\Omega$ 50watts per channel

Frequency Response	$\pm$ 1dB from 20Hz to 50kHz (Over-all)
Harmonic Distortion	Less than 0.5% (at 1kHz rated output)
Power Bandwidth	15Hz to 50kHz (AUX)
Hum & Noise (at rated output)	TAPE HEAD: better than 75dB MAG: better than 80dB AUX: better than 90dB
Inputs Impedance and Audio Sensitivity (for rated output)	MAGnetic PHONO: 2.4mv. 50k $\Omega$ (1kHz) CERamic PHONO: 51mv. 90k $\Omega$ (1kHz) TAPE HEAD: 1.5/mv 120k $\Omega$ (1kHz) AUXiliary: 200mv. 100k $\Omega$ (1kHz)
Damping Factor	25 (8 $\Omega$ , 1kHz)
Output Terminals and Jacks	Speakers: 4~16 ohms Stereo headphones jack, Simultaneous tape Recording jacks, equipped with TAPE MONITOR switch, Tape recording/playback jack (DIN standards)
Equalization Curves	PHONO: RIAA TAPE: NAB
Tone Controls (each channel)	BASS: boost 12dB, cut 14dB (at 50Hz) TREBLE: boost 10dB, cut 11.5dB (at 10kHz)
Filters	LOW: cut 6dB (at 50Hz) HIGH: cut 10dB (at 10kHz)
Loudness Contour	Switchable to ON-OFF boost 12dB at 50Hz boost 6.5dB at 10kHz, with VOLUME control set at -40dB

### ● MISCELLANEOUS

Power Requirements	110V, 117V, 130V, 220V, and 240V. (Switchable) 50-60Hz
Power Consumption	285VA. 255W. (Max)
Dimensions	Overall 15 <sup>15</sup> / <sub>16</sub> " 405 m/m (Width) 5 <sup>3</sup> / <sub>8</sub> " / 137 m/m (Height) 13 <sup>3</sup> / <sub>4</sub> " / 350 m/m (Depth)
Weight	Without Package 23lb. / 10.6kg With Package 29lb. / 13.3kg

These specification are subject modification for improvement with out notice

## PIONEER ELECTRONIC CORPORATION

15-5, 4-Chome, Ohmori-nishi, Ohta-ku, Tokyo, Japan

## U.S. PIONEER ELECTRONICS CORPORATION

178 Commerce Road, Carlstadt New Jersey 07072 U. S. A.

## PIONEER ELECTRONIC (EUROPE) N.V.

Frankrijklei 64-68, 2000 Antwerp, Belgium