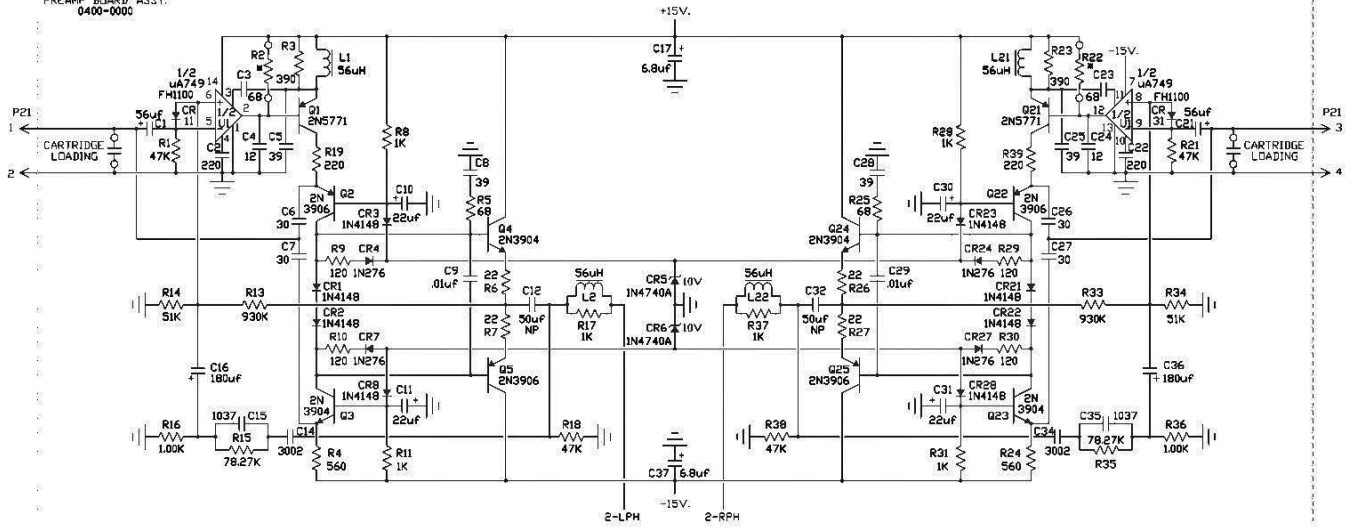


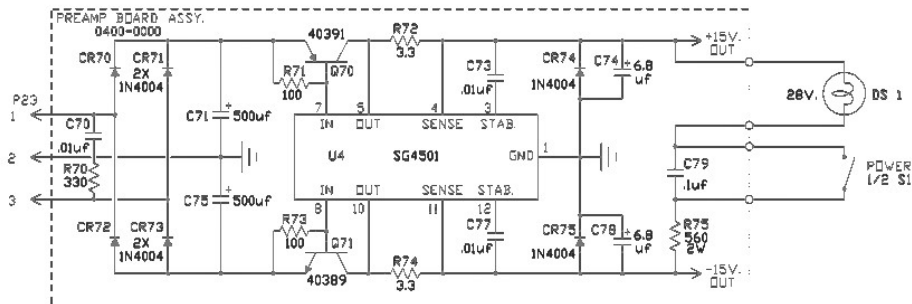
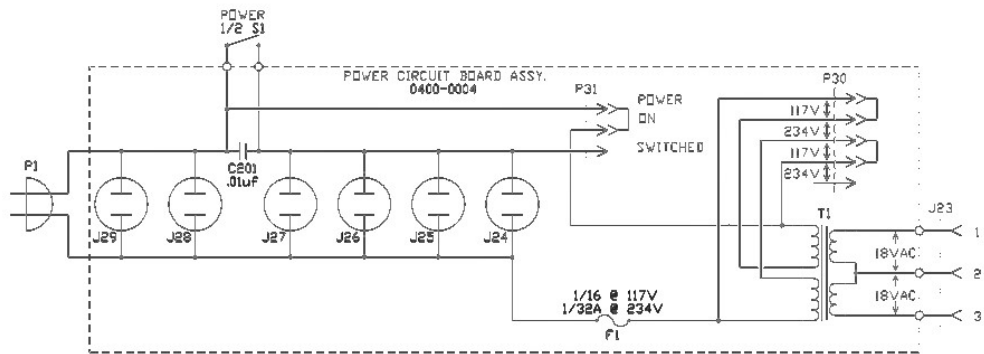
PREAMP BOARD ASSY.
0400-0000



* SELECTED FOR < 5mV. ACROSS PINS 3 AND 4, DR. 10 AND 11 OF DEVICE U1.
CAPACITOR VALUES ARE IN UNITS OF PICOFARADS UNLESS OTHERWISE NOTED.

AG AUDIO GENERAL, INC.
WILLOW GROVE, PA. 19090 U.S.A.

MODEL 511AH STEREO PREAMPLIFIER				
DATE	9-23-86	SIZE	DRAWING NO.	REV
DRAWN BY	J.J.	B	1070	2
SCALE	FILE NAME	511AH_PH	SHEET	1 OF 3



AUDIO GENERAL, INC.
WILLOW GROVE, PA. 19090 U.S.A.

MODEL 511AH STEREO PREAMPLIFIER

DATE	9-23-86	SIZE	DRAWING NO.	REV	DATE	BY
DRAWN BY	J.J.	B	1070	2		
SCALE		FILE NAME	S11A_PS2	SHEET	3	OF 3