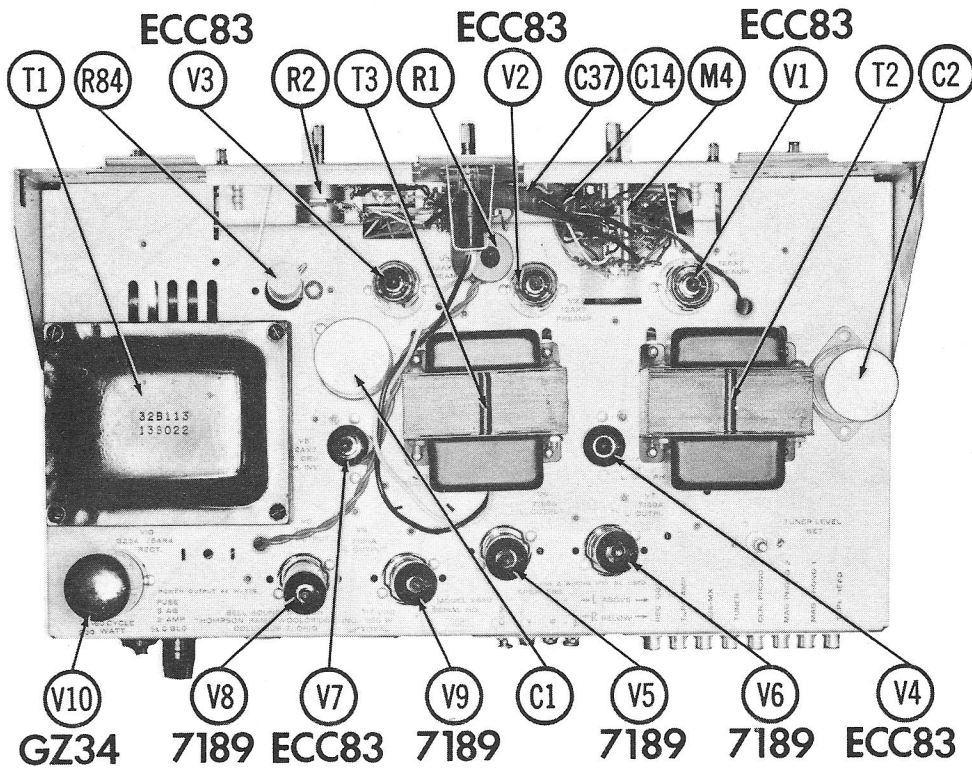




BELL SOUND  
MODEL 2440

TRADE NAME	Bell Model 2440
MANUFACTURER	Bell Sound Div., Thompson Ramo Wooldridge Inc., 555 Marion Road, Columbus 7, Ohio
TYPE SET	AC Operated 10 Tube Stereo Amplifier
POWER SUPPLY	110 - 120 Volts AC, 60 Cycles      RATING 115 Watts, 1 Amp. @ 117 Volts AC

BELL SOUND  
MODEL 2440

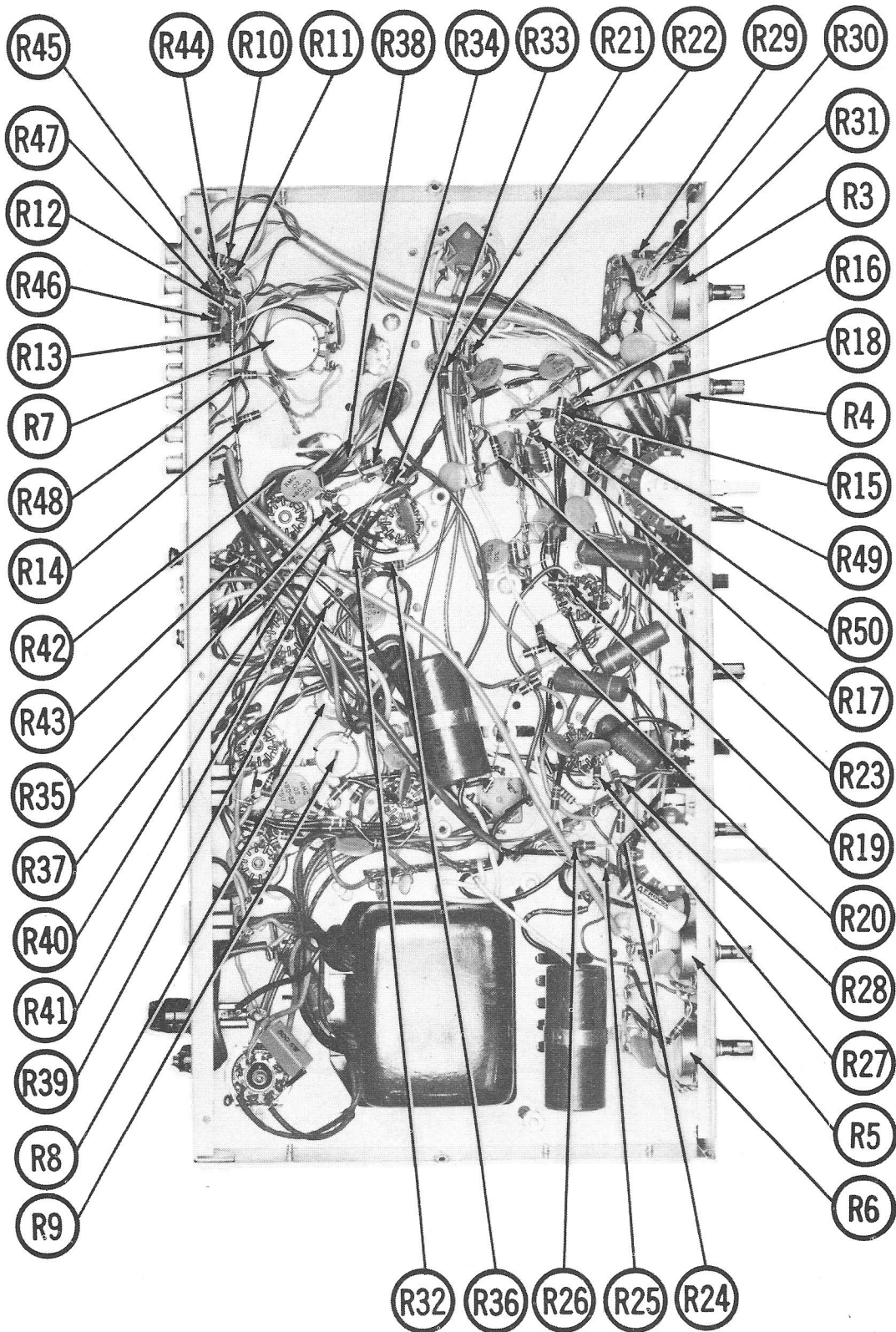


**HOWARD W. SAMS & CO., INC. Indianapolis 6, Indiana**

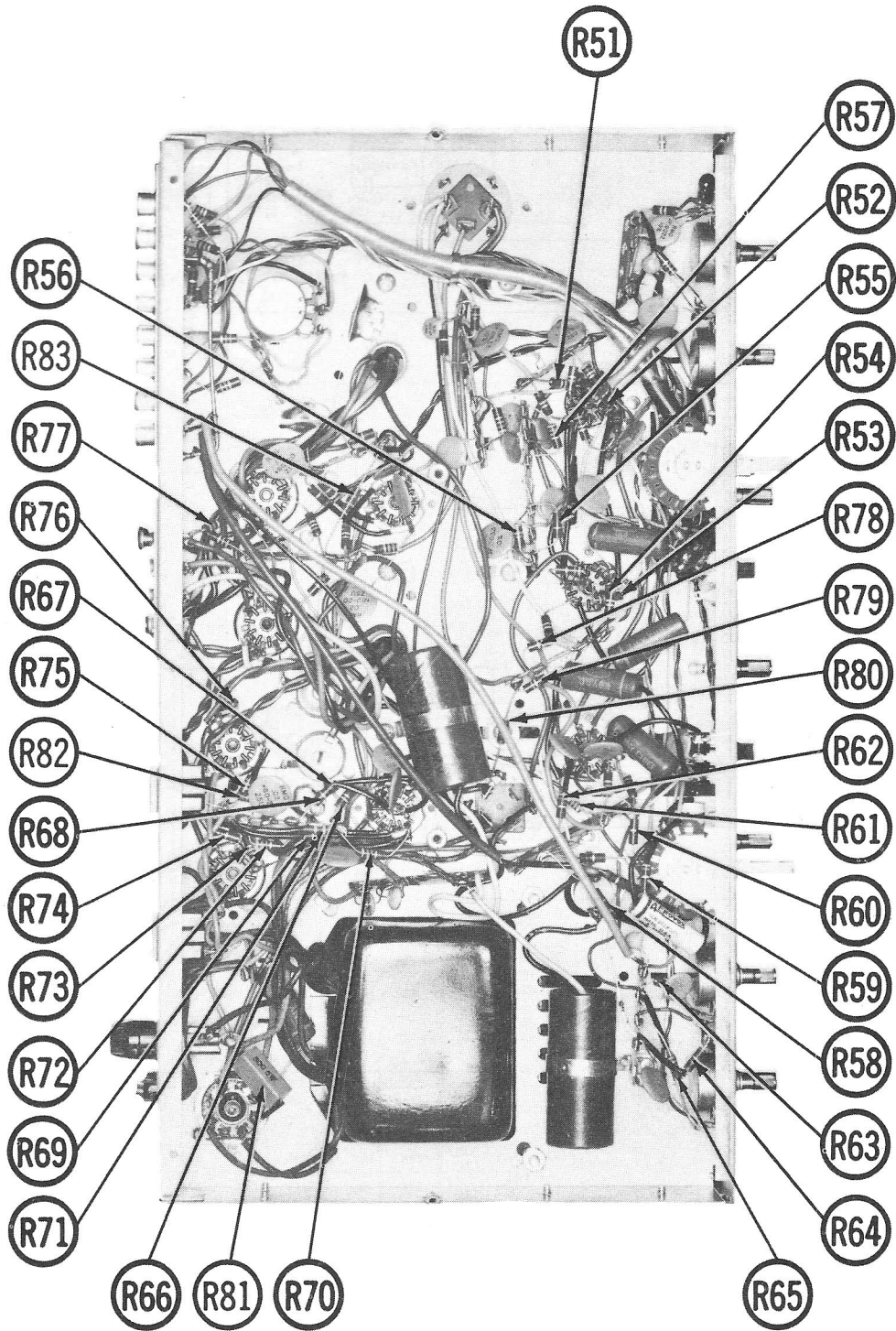
The listing of any available replacement part herein does not constitute in any case a recommendation, warranty or guaranty by Howard W. Sams & Co., Inc., as to the quality and suitability of such replacement part. The numbers of these parts have been compiled from information furnished to Howard W. Sams & Co., Inc., by the manufacturers of KV533

the particular type of replacement part listed. Reproduction or use, without express permission, of editorial or pictorial content, in any manner, is prohibited. No patent liability is assumed with respect to the use of the information contained herein. © 1961 Howard W. Sams & Co., Inc., Indianapolis 6, Indiana. Printed in U.S. of America

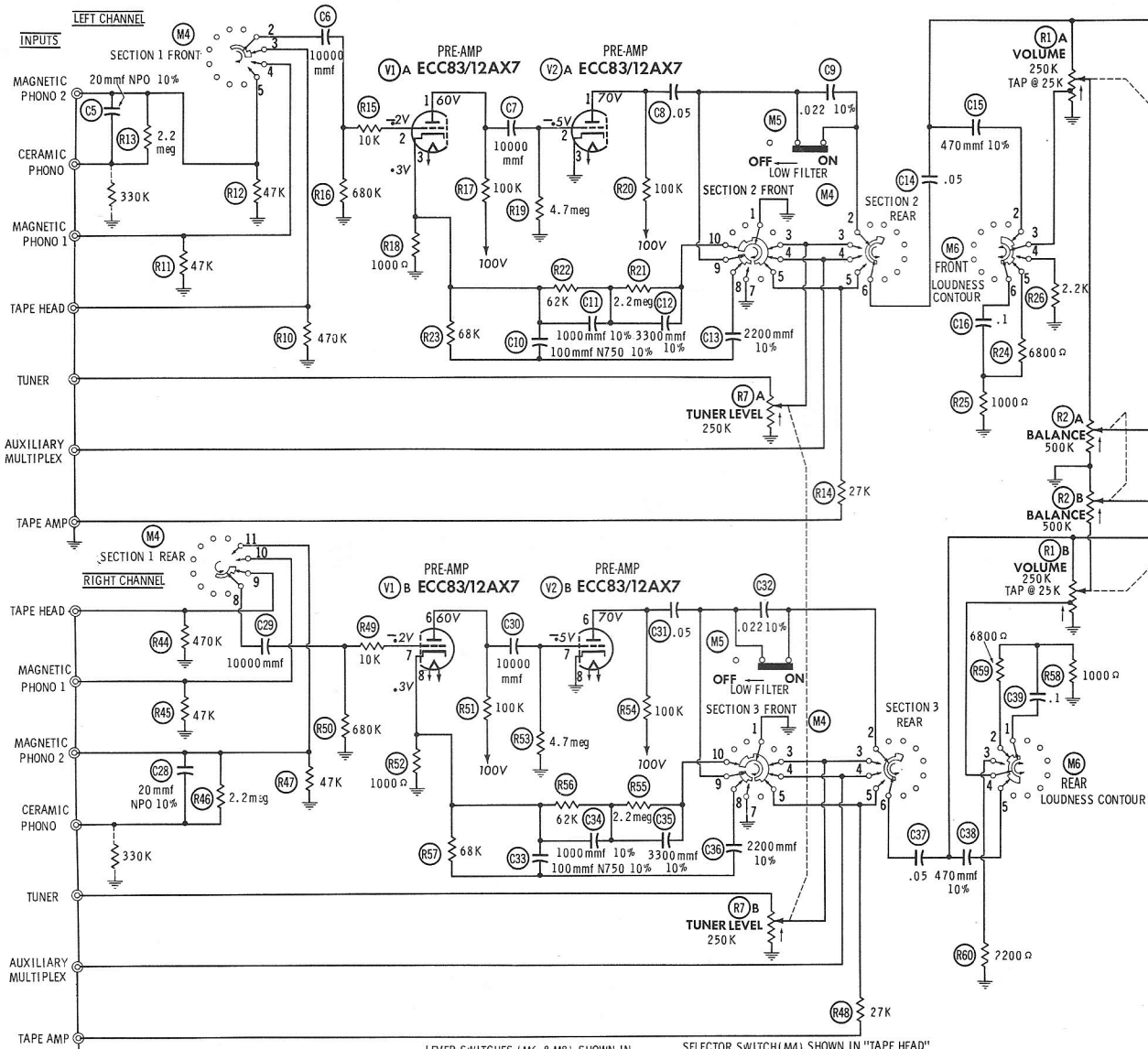




CHASSIS BOTTOM VIEW-RESISTOR IDENT. (R3 Thru R50)



CHASSIS BOTTOM VIEW-RESISTOR IDENT. (R51 Thru R83)



LEVER SWITCHES (M6 & M8) SHOWN IN CENTER POSITION. SEQUENCE OF POSITION:

(M8)	(M6)
LEFT - MONAURAL	LEFT - 0
CENTER - STEREO	CENTER - 1
RIGHT - REVERSE	RIGHT - 2

SELECTOR SWITCH (M4) SHOWN IN "TAPE HEAD" POSITION. SWITCH SEQUENCE:

1. TAPE HEAD
2. PHONO 1
3. PHONO 2
4. TUNER
5. AUXILIARY - MULTIPLEX
6. TAPE AMP.

SEE PARTS LIST FOR ALTERNATE VALUE OR APPLICATION

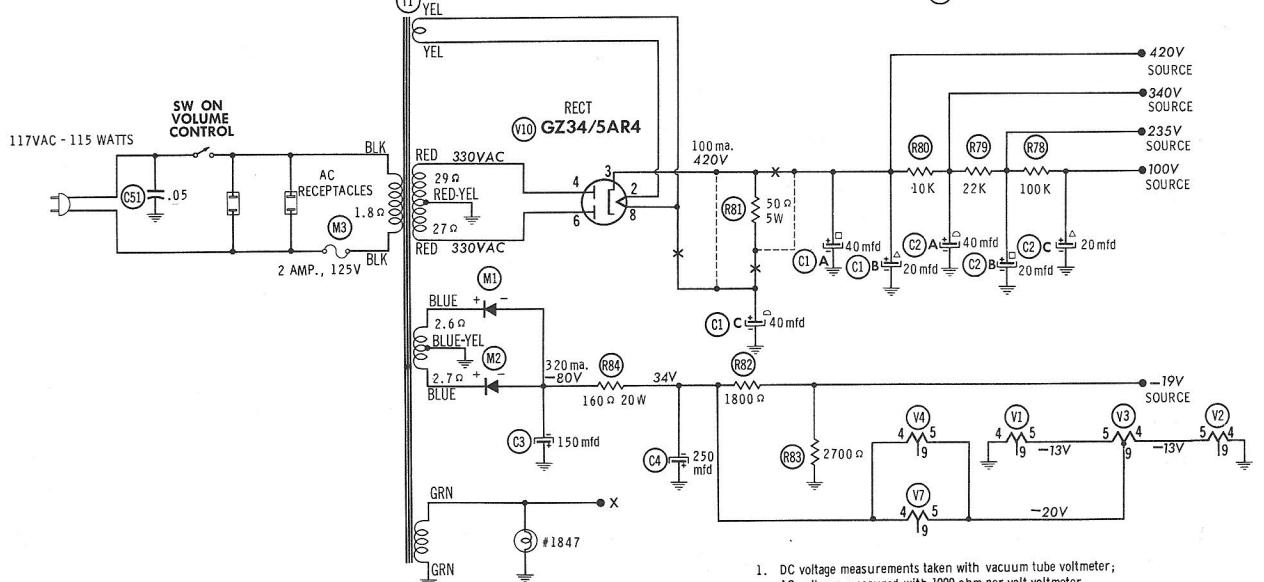
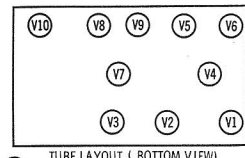
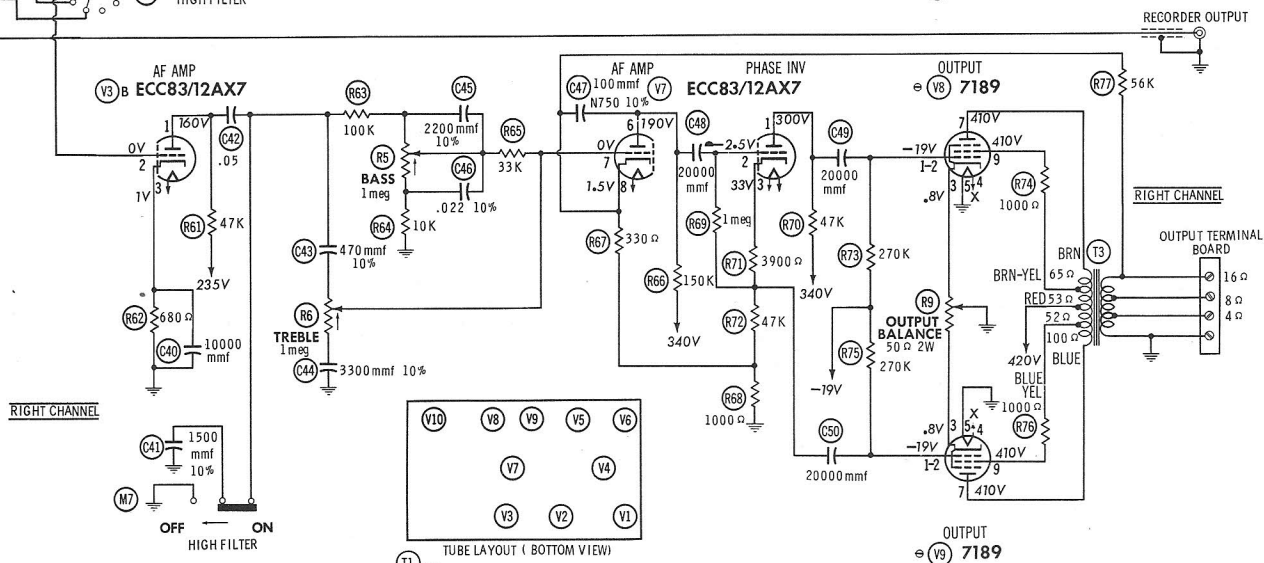
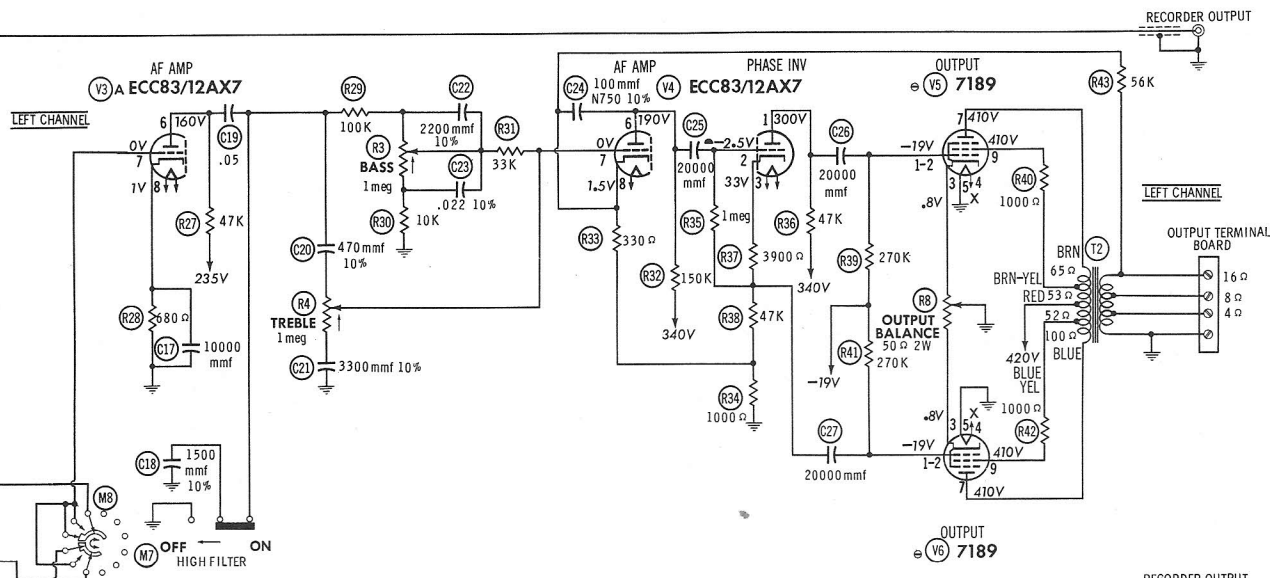
DC COIL RESISTANCE VALUES UNDER ONE OHM NOT SHOWN ON SCHEMATIC DIAGRAM

ARROWS ON CONTROLS INDICATE CLOCKWISE ROTATION (CONTROL VIEWED FROM SHAFT END)

RESISTANCE READINGS

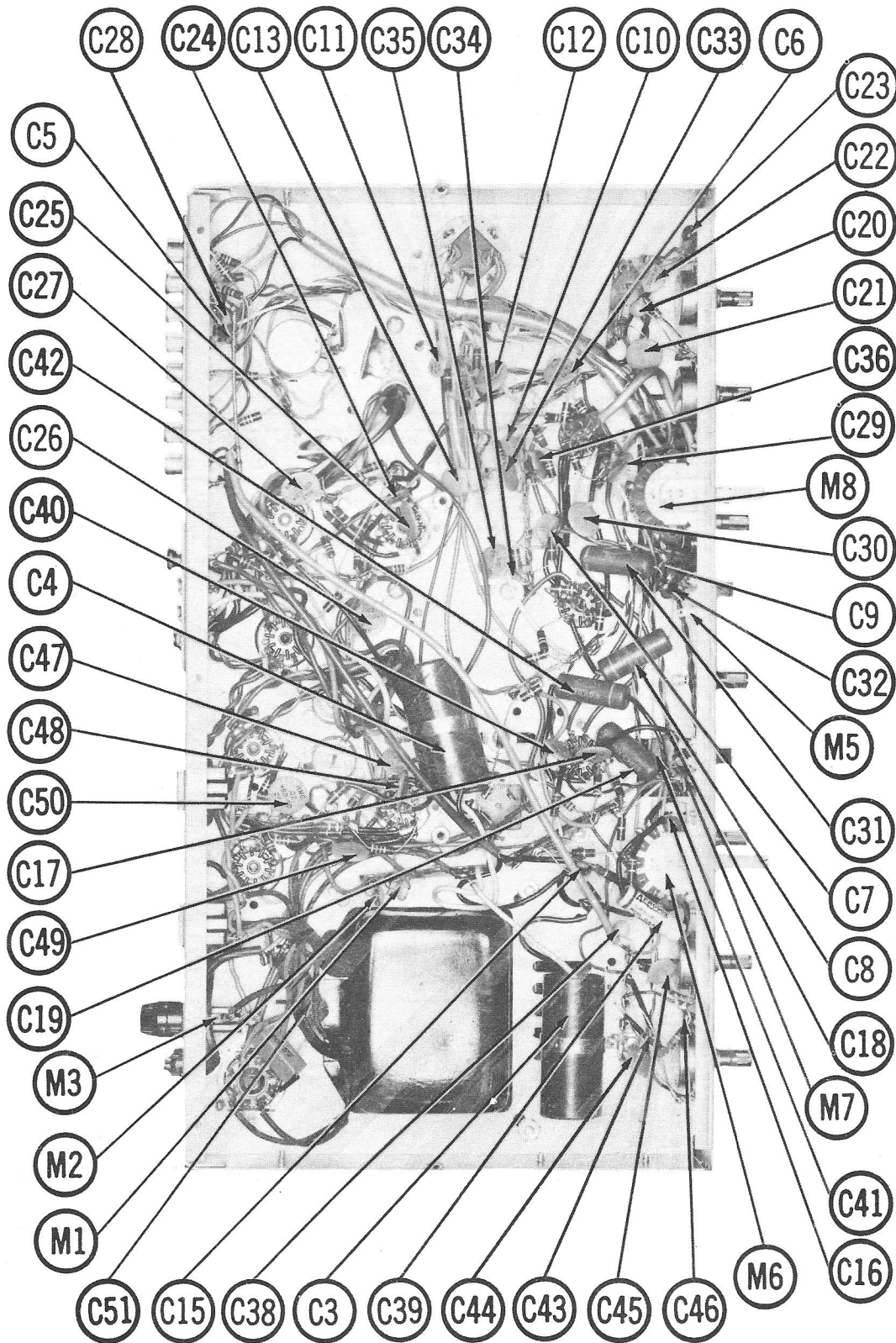
ITEM	TUBE	Pin 1	Pin 2	Pin 3	Pin 4	Pin 5	Pin 6	Pin 7	Pin 8	Pin 9
V1	ECC83 12AX7	†230K	690K	1000Ω	0Ω	10Ω	†230K	690K	1000Ω	NC
V2	ECC83 12AX7	†230K	4.7meg	0Ω	0Ω	10Ω	†230K	4.7meg	0Ω	NC
V3	ECC83 12AX7	†80K	50K	680K	10Ω	10Ω	†80K	50K	680Ω	12Ω
V4	ECC83 12AX7	†57K	1meg	52K	20Ω	12Ω	†160K	50K	1300Ω	NC
V5	7189	270K	NC	30Ω	0Ω	.1Ω	NC	†120Ω	TP	†1000Ω
V6	7189	270K	NC	30Ω	0Ω	.1Ω	NC	†152Ω	TP	†1000Ω
V7	ECC83 12AX7	†57K	1meg	52K	20Ω	12Ω	†160Ω	50K	1300Ω	NC
V8	7189	270K	NC	30Ω	0Ω	.1Ω	NC	†120Ω	TP	†1000Ω
V9	7189	270K	NC	30Ω	0Ω	.1Ω	NC	†152Ω	TP	†1000Ω
V10	GZ34 5AR4	NC	†100K	†100K	29Ω	NC	27Ω	NC	†100K	

† THIS READING WILL VARY DEPENDING UPON THE CONDITION OF THE ELECTROLYTIC IN THE CIRCUIT.  
 Ω MEASURED FROM CATHODE.  
 † MEASURED FROM PIN 3 OF V10.  
 NC NO CONNECTION  
 TP TIE POINT



1. DC voltage measurements taken with vacuum tube voltmeter; AC voltages measured with 1000 ohm per volt voltmeter.
2. Socket connections are shown as bottom views.
3. Measured values are from socket pin to common ground.
4. Line voltage maintained at 117 volts for voltage readings.
5. Nominal tolerance of component values makes possible a variation of ±15% in voltage and resistance readings.
6. All controls at minimum, proper output load connected.

BELL SOUND  
MODEL 2440



CHASSIS BOTTOM VIEW-CAPACITOR & MISC. IDENT.



# PARTS LIST AND DESCRIPTIONS (Continued)

## RESISTORS (cont)

ITEM No.	RATING	REPLACEMENT DATA		ITEM No.	RATING	REPLACEMENT DATA	
		IRC PART No.	WORKMAN TV PART No.			IRC PART No.	WORKMAN TV PART No.
R42	1000Ω			R64	10K		
R43	56K			R65	33K		
R44	470K			R66	500K		
R45	47K			R67	330Ω		
R46	2.2meg			R68	1000Ω		
R47	47K			R69	1meg		
R48	27K			R70	47K		
R49	10K			R71	3900Ω		
R50	680K			R72	47K		
R51	100K			R73	270K		
R52	1000Ω			R74	1000Ω		
R53	4.7meg			R75	270K		
R54	100K			R76	1000Ω		
R55	2.2meg			R77	56K		
R56	62K			R78	100K		
R57	68K			R79	22K		
R58	1000Ω			R80	10K		
R59	6800Ω			R81	50Ω 5W		
R60	2200Ω			R82	1800Ω		
R61	47K			R83	2700Ω		
R62	680Ω			R84	160Ω 20W		
R63	100K						

## TRANSFORMER (POWER)

ITEM No.	RATING	REPLACEMENT DATA		ITEM No.	RATING	REPLACEMENT DATA		
		BELL PART No.	Merit PART No.			Stancor PART No.	Thorderson PART No.	Triad PART No.
T1	PRI. 117V @ 1A SEC. 1 660VCT SEC. 2 5V @ 1.9A SEC. 3 6V DC SEC. 4 3.2V @ 125VCT SEC. 5 3.2A @ .32ADC	32B113 ①						① Part #32B120 used in 30v versions.

## TRANSFORMER (AUDIO OUTPUT)

ITEM No.	IMPEDANCE	REPLACEMENT DATA		ITEM No.	IMPEDANCE	REPLACEMENT DATA		
		BELL PART No.	Merit PART No.			Stancor PART No.	Thorderson PART No.	Triad PART No.
T2	9000Ω CT Tap @ 8Ω, 4Ω	32B112						
T3	1600Ω CT Tap @ 8Ω, 4Ω	32B112						

## POWER RECTIFIERS

ITEM No.	RATING CURRENT (Measured)	REPLACEMENT DATA		ITEM No.	RATING CURRENT (Measured)	REPLACEMENT DATA		
		BELL PART No.	IRC PART No.			SARKIS TARZIAN PART No.	SYLVANIA PART No.	NOTES
M1	.320A	42A13	IN1763	5F4	5F4	SR500	Silicon	
M2	.320A	42A13	IN1763	5F4	5F4	SR500	Silicon	

## FUSES

ITEM No.	TYPE	RATING	REPLACEMENT DATA					
			BELL PART No.	HOLDER	FUSE	HOLDER	BUSS PART No.	
M3	3AG	2A 125V S/B	53A16	53A8	313002 (3AG 2A 125V) S/B	942001	MDL.2	HKP

## MISCELLANEOUS

ITEM No.	PART NAME	BELL PART No.	NOTES
M4	Switch	43A82	
M5	Switch	43A45	Selector (Rotary Type)
M6	Switch	43A83	Lo Filter (DPDT Slide Type)
M7	Switch	43A45	Loudness Contour (Lever Type)
M8	Switch	43B42	Hi-Filter (DPDT Slide Type)
			Mono-Stereo-Reverse (Lever Type)

## CABINETS & CABINET PARTS

(When Ordering Cabinets & Cabinet Parts, Specify Model, Chassis & Color)

NAME	PART NO.	DESCRIPTION
Knob	84A59	Balance, Volume
Knob	84A61	Tone
Knob	84A62	Lever
Knob	84A70	Selector

## WIRING DATA

General-use Unshielded Hook-up Wire ..... Use BELDEN No. 8530 (Solid) Available in Ten Colors  
 8524 (Stranded) Available in Ten Colors  
 Power Cord ..... Use BELDEN No. 1765-B (6 Ft. Length)  
 1725-K (7½ Ft. Length)