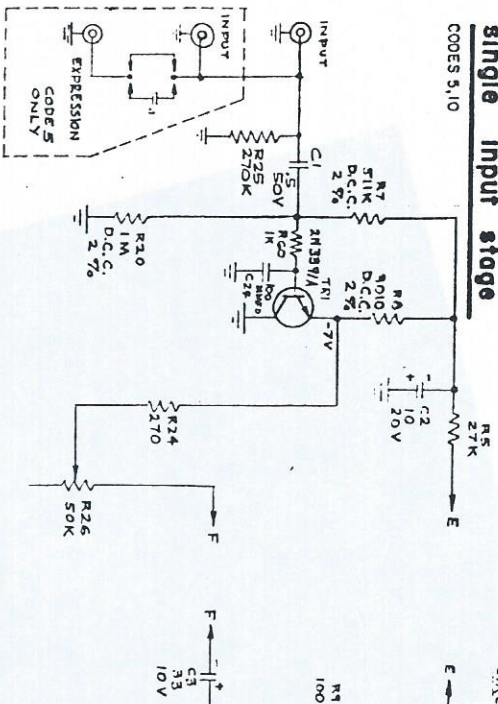


Waisl 2500 W by PEB

THESE DC VOLTAGES MEASURED WITH SIMPSON 260 VOM AND WITH LINE VOLTAGE OF 117 V. THESE ARE VOLTAGES OF TRANSFORMER 222-0023 (11-023) ONE WITH HIGHER VOLTAGES.

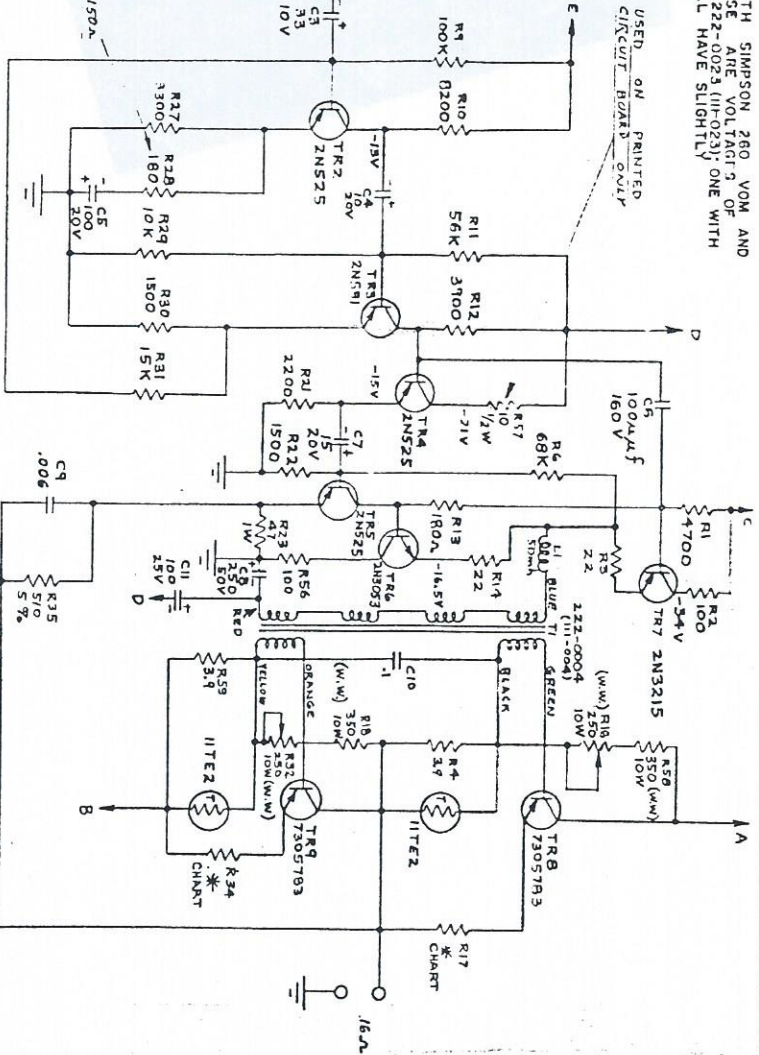
**single input stage**

CODES 5,10



DUAL INPUT AMP. ONLY - 150A

USED ON PRINTED CIRCUIT BOARD ONLY



**T-50 HIGH-FIDELITY POWER AMPLIFIER**

SINGLE AND DUAL INPUT

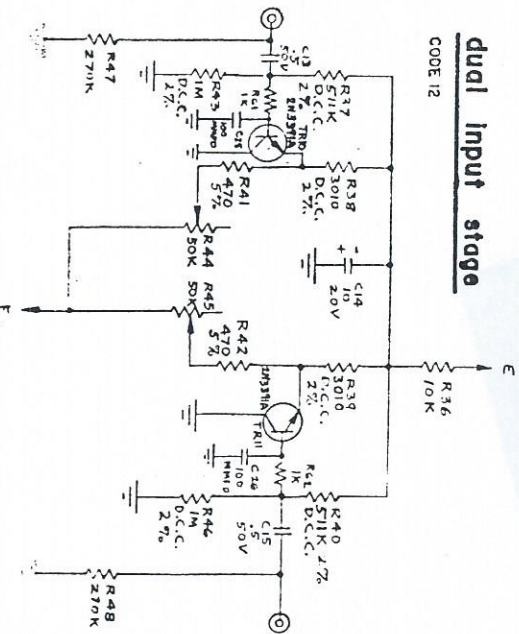
CHART

	NOMINAL	USED WITH LOW GAIN SETTING (TRANSFORMERS)
R17	5W	47.5W
R34	5W	47.5W

NOTE  
TOLERANCE ON ALL RESISTORS IS ± 10%  
UNLESS OTHERWISE INDICATED

**dual input stage**

CODE 12



\* 10 AMP, 100 P.I.V.