

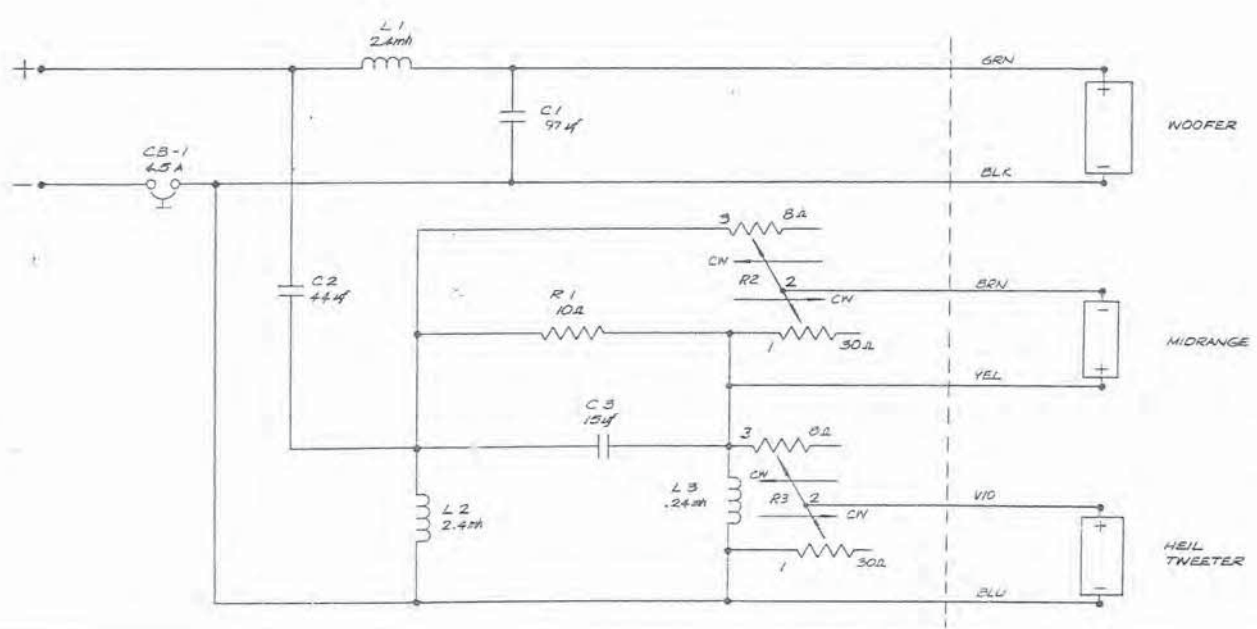
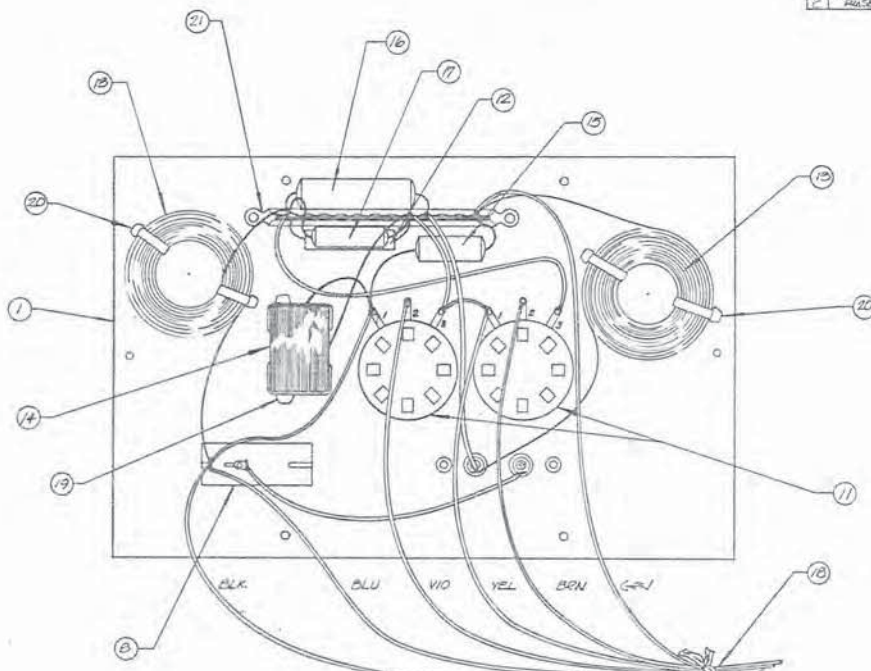
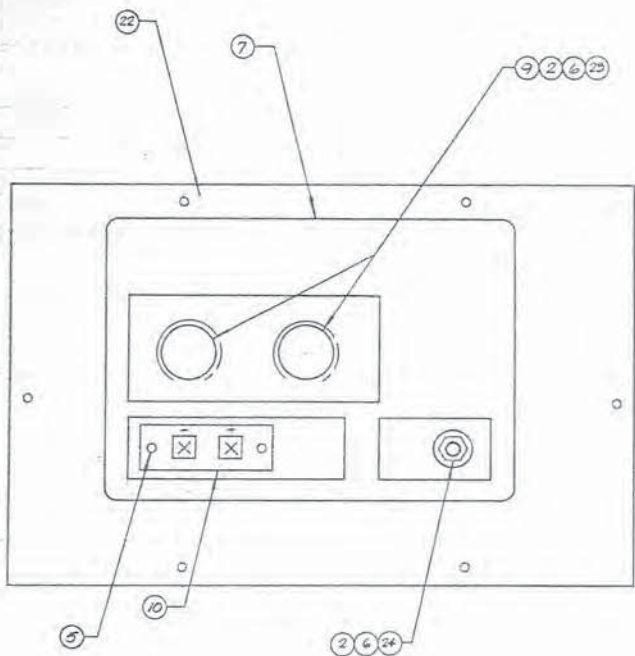
31		
30		
29		
28		
27	1	40-0014 WARESS TIE
26	1	215-0037 WASHBR, FLAT, 1/2" OD, BLK
25	1	240-0011 NUT, 1/2"-32, CAP, HEX DRESS
24	1	430-0002 TERMINAL, 10 STA
23	1	240-0029 NUT, 1/2"-32, 1/4" HEX DRESS, BLK
22	1	215-1001 WASHBR, FAT, BLK, .438 OD
21	REF	0021 CABLE TIE, GREY
20	REF	410-0004 CABLE TIE, NATURAL
19	REF	410-0012 CABLE TIE, YELLOW
18	1	762-0002 WIRE, AWG 20, BUSS
17	1	750-0055 WIRE, AWG 20, SOLID, GREEN
16	1	750-0222 WIRE, AWG 20, SOLID, RED
15	1	750-0000 WIRE, AWG 20, SOLID, BLK
14	1	702-0220 WIRE HARNESS: BLU, VIO
13	2	510-0014 RESISTOR, 1 Ω, 10W
12	1	441-0005 KHOB, ALUM
11	1	320-0008 POT, 3 Ω L-PAD
10	1	530-0002 SWITCH, TOGGLE
9	1	394-0012 CIRCUIT BREAKER 4SABX 2LS
8	1	354-1012 COIL, .16 MA, 2 GRAY TIES
7	1	354-1022 COIL, 1.2 MA, 2 YEL TIE LAMP
6	1	354-1030 COIL, .65 MA, 2 NATURAL TIES
5	1	354-1011 COIL, .08 MA, 2 YEL TIES, SM
4	1	310-0020 CAP, ELECT 18MFD 75VWV
3	1	310-0001 CAP, ELECT 33MFD 75VWV
2	1	276-0052 MANIPULATE EVALUATOR
1	1	1221 CROSSOVER W/TC BOARD

GALVAN 7-2-75  
 VINT 7-31-75  
 SUD 7-31-75  
 7-7-75 CROSSOVER-EVALUATOR  
 11

EVALUATOR  
 1 1 695-1024

3 CHS PHASE OF TWEETER  
 MAKE CHS OF TWEETER & MIDRANGE

QTY  
 PART NO  
 DIMS  
 MFG



24	1	475-0024	DRUMMER BUSHING
23	2	215-0023	WASHER, FCT, 5/10 X 3/8 OD
22	1	417-0047	GASKET, X-OVER, .042 HOLE
21	1	480-0021	TERMINAL STRIP, 12 POS.
20	4	440-0024	CABLE TIE, NAT
19	2	410-0019	CABLE TIE, BRN
18	1	752-0018	WIRE HARNESS
17	1	316-0017	CAP ELEC 15 MFD 75 WVP
16	1	316-0016	CAP ELEC, K 75 WVP
15	1	316-0015	CAP ELEC, 97 MFD 75 WVP
14	1	334-1091	COIL, 24MM 2 BRN TES (L2)
13	2	334-1093	COIL, 24MM 2 NAT TES (L2)
12	1	410-0012	RESISTOR 10Ω 10W
11	2	890-0008	POT, B.R.
10	1	444-0005	PUSH TERMINAL, 2 POS.
9	2	443-1010	KNOB, ALUM. KANRL 3/8"
8	1	899-0012	C BREAKER, 4.5 AMP 1/2"
7	1	216-1157	NAMEPLATE, FORT-50P.
6	2	240-0011	NUT, 3/8 HEX DRESS
5	2	317-0001	RIVET, BLACK 5/16 X 3/8
4	2	218-0005	WASHER, LCK, 1/16 OD
3	2	317-0004	WASHER, CAD. PL., .04 OD
2	3	215-0003	WASHER, FLAT 3/8 X 3/8
1	1	235-0025	CROSSOVER BOARD

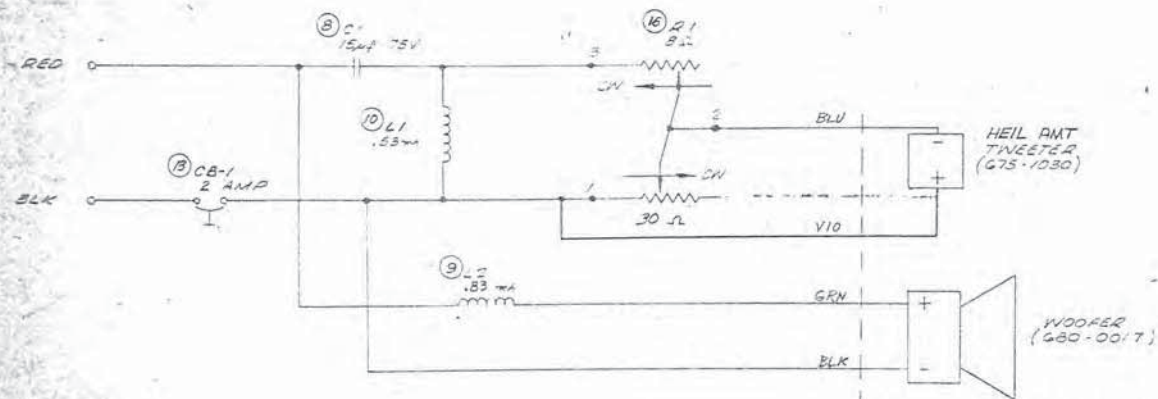
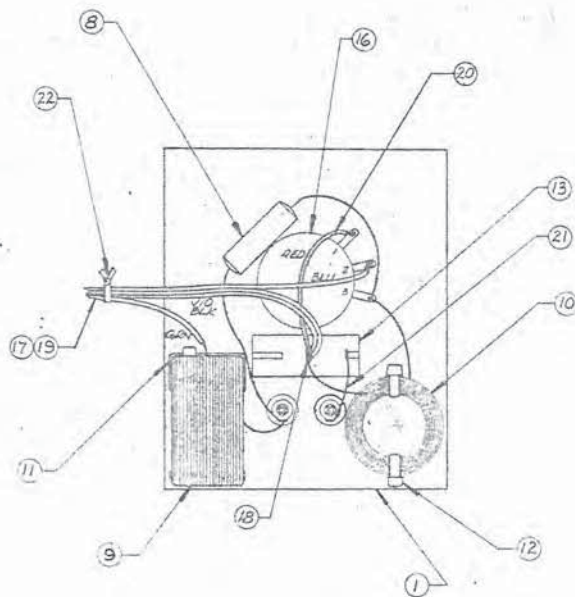
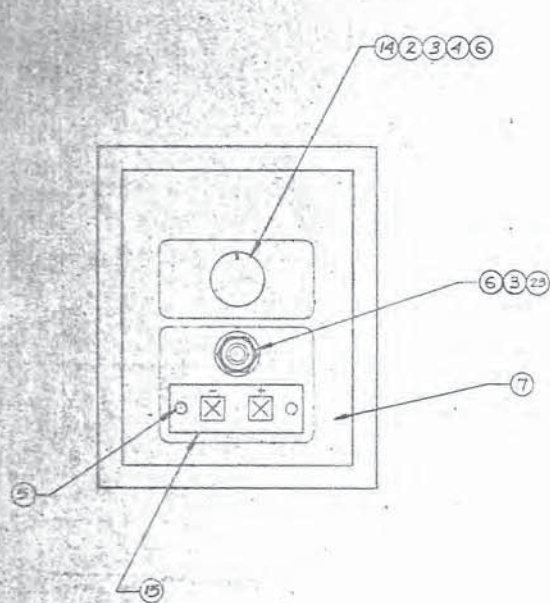
INACTIVE FOR FUTURE DESIGN  
 ECO 8-235, 9-24-74 Rutherford

TANAND 12-875

CROSSOVER ASSEMBLY

FULL

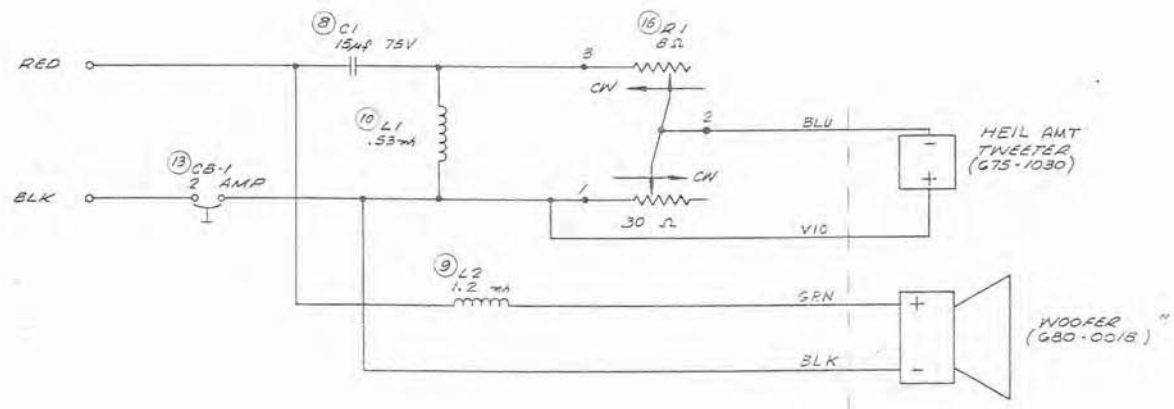
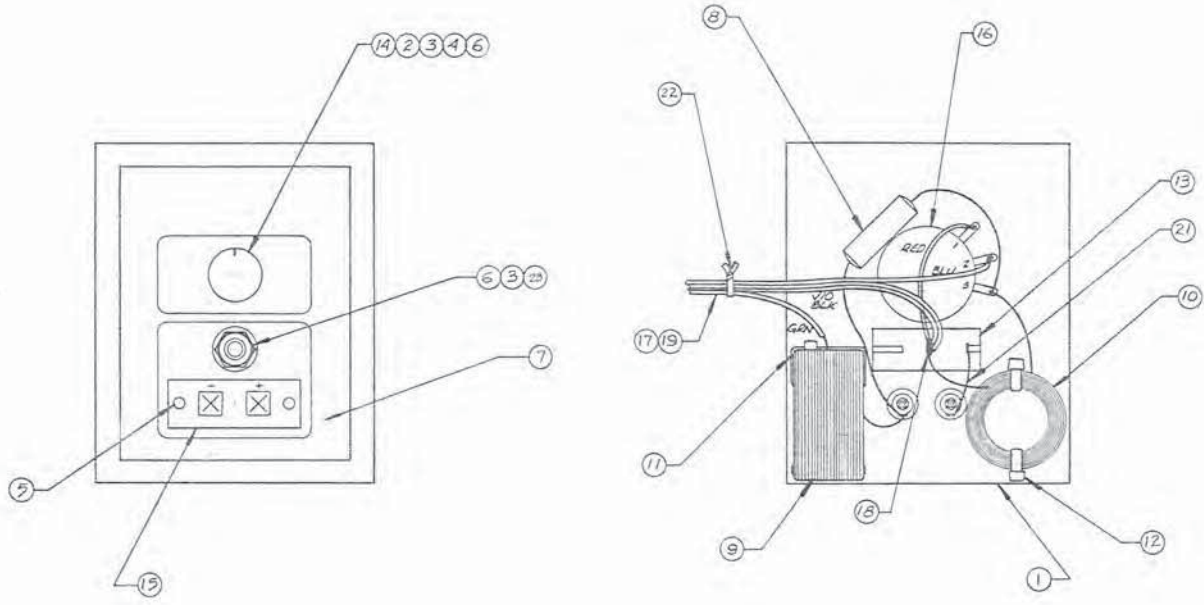
FORTUNA SOVEREIGN  
 1 3 205-1033 E



25	1	400	FINEL DUSTING, 1/2"
22	1	410-0014	HARNES TIE
21	1	782-0002	WIRE, AWG 20 BUSS
20	1	750-0222	WIRT, AWG 20, GOLD, FIB
19	1	784-0006	TERMINAL, PUSH-ON, AWG 14
18	2	784-0004	TERMINAL, PUSH-ON, AWG 14
17	1	702-1025	NUTS, HARNES, SILV, BLK, GRN
16	1	5807-0008	POT, 8-16 L-FRD
15	1	78-0005	PUSH TERMINAL, 8-16
14	1	741-1003	KNOB, ALUM CLEAR, 1/2"
13	1	385-0006	CIRCUIT BREAKER, 2X 1.25 A HOLD
12	REF	0021	CABLE TIE, GRAY
11	REF	410-0010	CABLE TIE, BLUE
10	1	1035	COL, .53MH, TWO GRAY TIE
9	1	334-1018	COL, .53MH, TWO BLUE TIE
8	1	216-0013	CAP, ELEC, 15µD TBY, 75V
7	1	1070	NAMEPLATE, X-OVER, PORTA
6	3	240-0011	NUT 3/8-32 HEX DRESS
5	2	0007	RWIT, BLK, 1/8 X 3/16
4	1	218-0013	WASHER, 100, 1/10, 1035
3	2	0013	WASHER, 100, 1/10, 1035
2	1	201-0001	SCREW, SET 8-32 X 1/2"

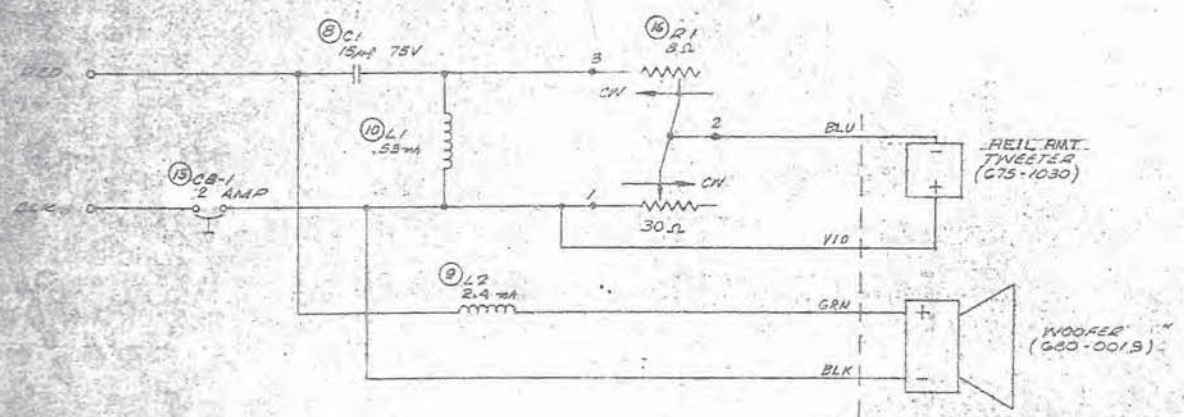
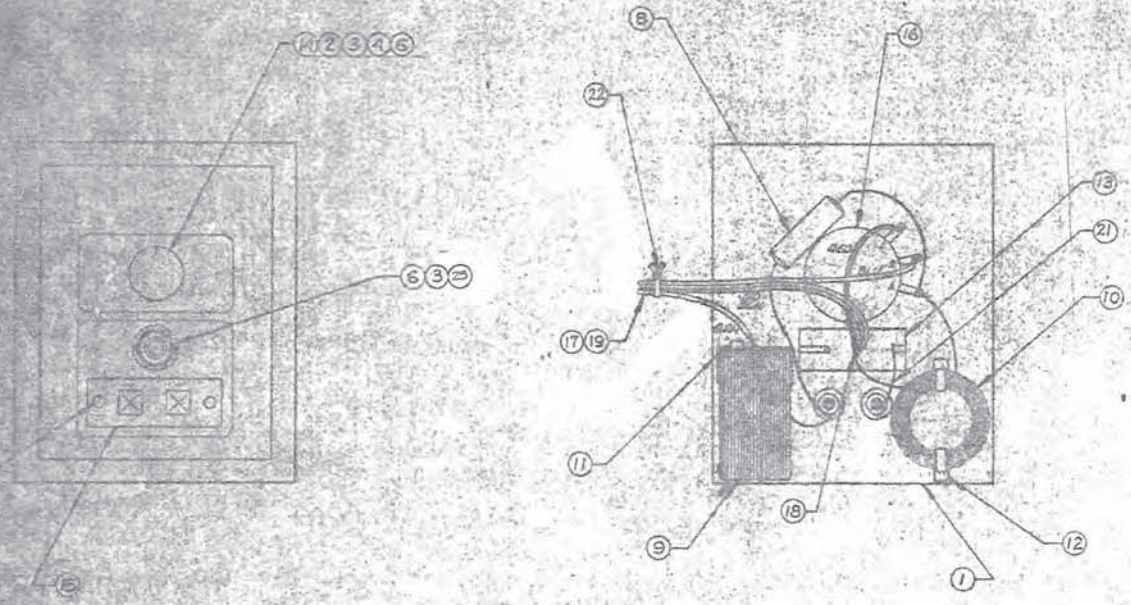
Part No.	Description	Quantity
1	ENCLOSURE	1
2	WASHER	2
3	WASHER	2
4	WASHER	1
5	RWIT	2
6	NUT	3
7	NAMEPLATE	1
8	CAP	1
9	COL	1
10	COL	1
11	CABLE TIE	REF
12	CABLE TIE	REF
13	CIRCUIT BREAKER	1
14	KNOB	1
15	PUSH TERMINAL	1
16	POT	1
17	NUTS	1
18	TERMINAL	2
19	TERMINAL	1
20	WIRT	1
21	WIRE	1
22	HARNES TIE	1
25	FINEL DUSTING	1

FOOTURA 8



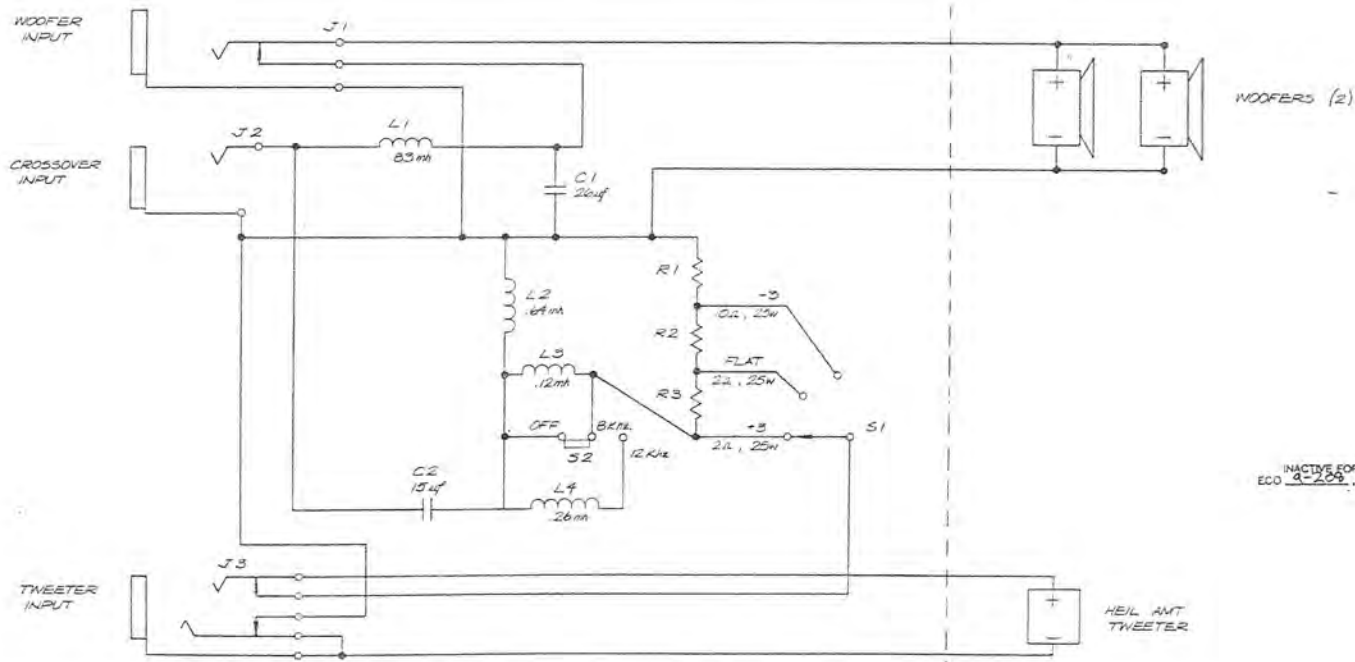
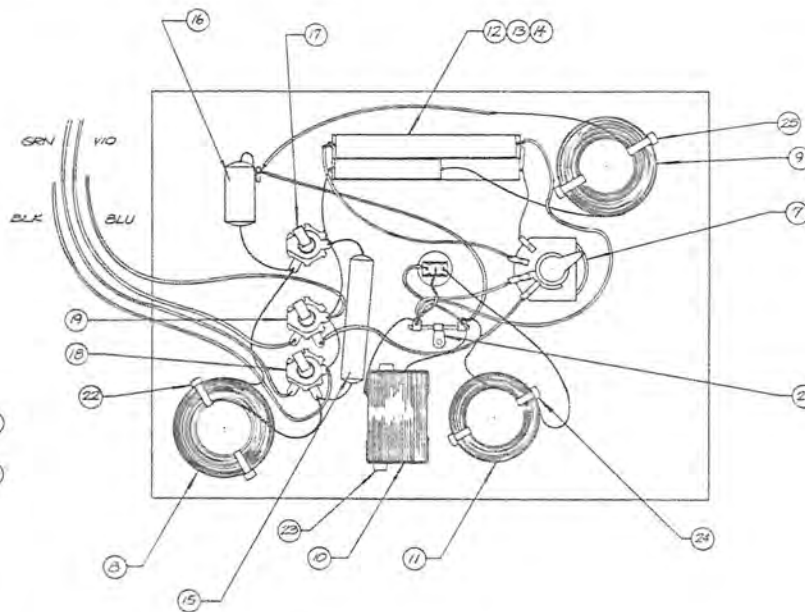
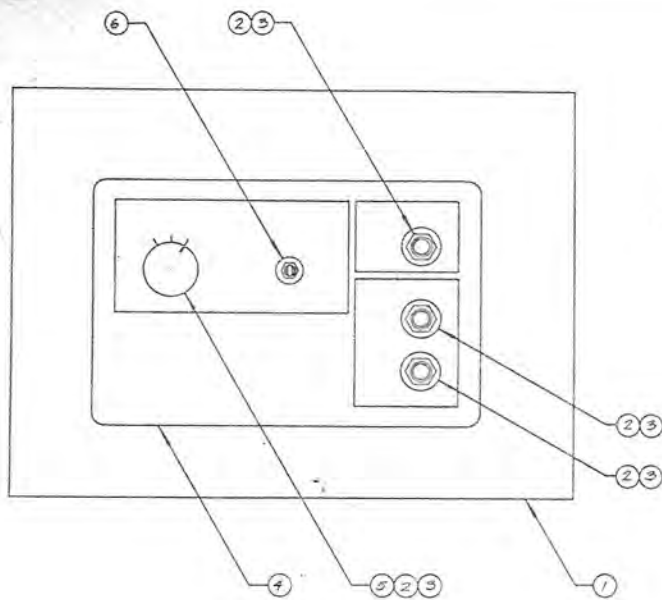
23	1	475-0004	PANEL BUSHING, 3/8-32
22	1	410-0014	HARNES TIE
21	1	762-0002	WIRE, AWG 20, BUSS
20	1	762-0022	WIRE, AWG 20, SOLID RED
19	1	484-0006	TERMINAL, PUSH-ON, AWG-16
18	2	484-0004	TERMINAL, PUSH-ON AWG-22
17	1	702-1029	WIRE HARNES: W0, BLU, BLK, GRN
16	1	250-0005	POT, 8Ω L-PAD
15	1	484-0005	PUSH TERMINAL, 2 POS
14	1	445-1003	KNOB, ALUM, CLEAR 7/8 DIA
13	1	399-0006	CIRCUIT BREAKER, 2A BKE, 1.25 A HOLD
12	REF	410-0024	CABLE TIE, GREY
11	REF	410-0012	CABLE TIE, YELLOW
10	1	234-1035	COIL, .23MH, TWO GREY TIE:
9	1	234-1022	COIL, 1.2MH, TWO YEL TIE:
8	1	315-0015	CAP, ELEC, 19MFD 75V NP
7	1	1570	NAMEPLATE, X-OVER FORTURA
6	3	240-0011	NUT, 1/8-32 HEX DEESS
5	2	221-0007	RIVIT, BLK 1/8 X 3/32
4	1	215-0025	WASHER, LOCK, 3/8 ID X .035 THK
3	2	215-0033	WASHER, FLAT, 3/8 ID, 3/8 OD
2	1	151-0001	SCREW, SET 8-32 X 1/4
1	1	010-1220	CROSSOVER MOUNTING BOARD

DEVICE 7-9-75  
 SHW 7-24-15  
 SHW 1-2-15  
 7-24-15 FULL  
 CROSSOVER, FORTURA 10  
 FORTURA 10 INCH  
 1 1 695-1031 8



23	1	0001	WIRE, REPAIR
22	1	0001	FRAGMENTS, TIE
21	1	0002	WIRE, 20G-10
20	1	0002	WIRE, 20G-10
19	1	0004	TERMINAL, 20G-10
18	2	0002	TERMINAL, 20G-10
17	1	1025	WIRE, 20G-10
16	1	0002	POT, 20G-10
15	1	0002	DISH, TERMINAL
14	1	0002	QUAD, 20G-10
13	1	0002	DISK, 20G-10
12	REF	0001	CABLE, TIE, 20G-10
11	REF	0001	CABLE, TIE, 20G-10
10	1	1558	COIL, 20G-10
9	1	1025	WIRE, 20G-10
8	1	0001	CAP, 20G-10
7	1	1025	WIRE, 20G-10
6	3	0001	NOT, 20G-10
5	2	0001	WIRE, 20G-10
4	1	0001	WIRE, 20G-10
3	2	0001	WIRE, 20G-10
2	1	0001	SCREW, 20G-10

Fortuna 12



24	2	410-0013	CABLE TIE, BRN.
23	2	410-0017	CABLE TIE, ORG
22	2	410-0010	CABLE TIE, BLU
21	1	400-0005	TERMINAL STRIP
20	2	410-0004	CABLE TIES, NAT.
19	1	100-0011	PHONEJACK #SWTCT #8
18	1	100-0007	PHONEJACK #357L (L1)
17	1	100-0008	PHONEJACK #336L (L2)
16	1	216-0050	CAP. 15MFD/100VNP (C2)
15	1	216-0030	CAP. 26MFD/100VNP (C1)
14	1	610-0016	RESISTOR 2A.25W (R3)
13	2	216-0018	RESISTOR 2A.25W (R2)
12	1	610-0019	RESISTOR .0125W (R1)
11	1	334-091	COIL, 2 BRN TIES, 26M (L4)
10	1	334-100	COIL, 2 ORG TIES, 26M (L5)
9	1	334-102	COIL, 2 NAT TIES, 26M (L3)
8	1	334-101	COIL, 2 BLU TIES, .035M (L2)
7	1	624-001	SWITCH, ROT, 3 POS. (S1)
6	1	480-0008	SWITCH, TOGGLE, 3 POS. (S2)
5	1	445-1006	KNOB, 1/8 DIA. CL. AND.
4	1	240-0010	NAMEPLATE, BLUE OK.
3	4	240-0011	NUT, HEX DRESS, 3/8x3/8
2	4	216-0013	WASHER, 1/8x1/8
1	1	010-0210	CROSSOVER BOARD

INACTIVE FOR FUTURE DESIGN  
ECO 3-2-69 RUTHERFORD

TRAVANO 12-8-75 JKS

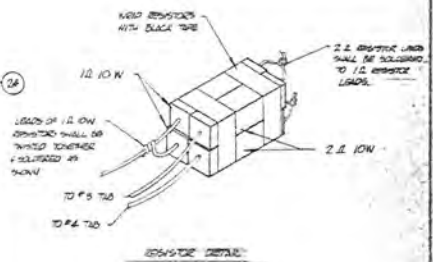
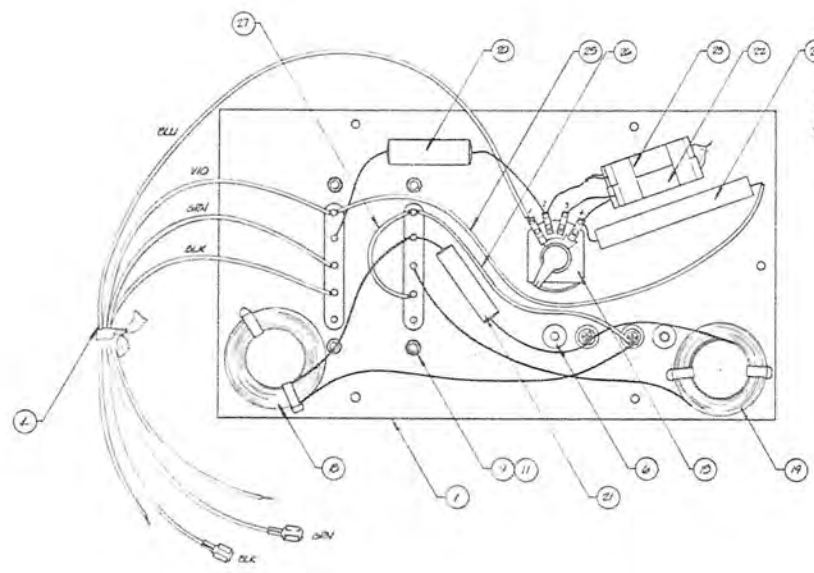
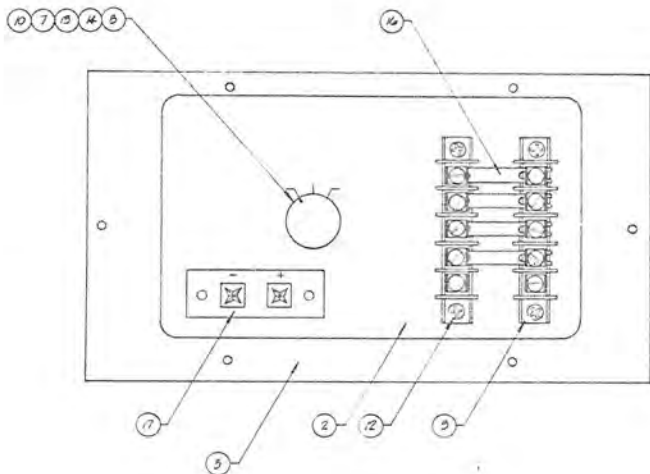
CROSSOVER,  
BLUE OK

FULL

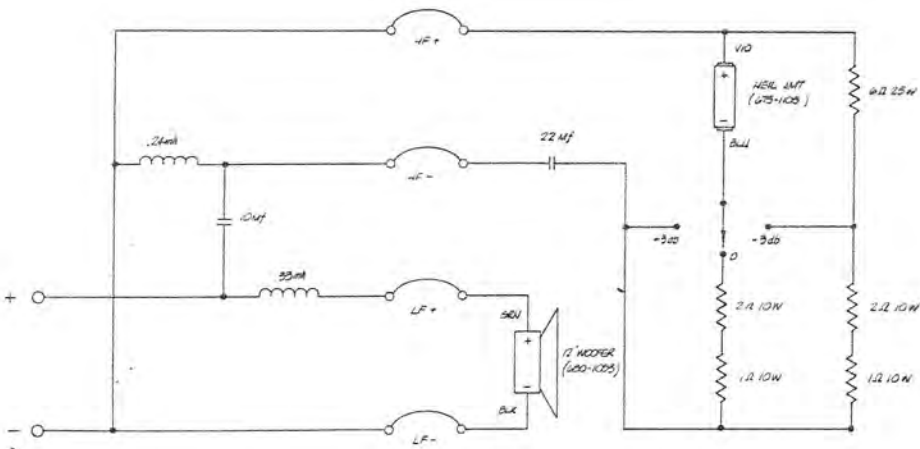
BLUE OK

694100

REVISIONS			
REV.	DESCRIPTION	DATE	APPROVAL
E	REPAIR: 2.2 OHM CAP. (20K), 2.2 OHM CAP. (20K) TO APPROX. 1.5 OHM, 2.2 OHM & 1.0 OHM CAP. (20K)	7-5-77	774-1



REV.	QTY	PART NO.	DESCRIPTION
27	1	795-002	WIRE STRAND 20AWG BLK 4"
26	1	795-004	WIRE STRAND 20AWG BLK 6"
25	1	795-002	WIRE STRAND 20AWG 4"
24	1	440-007	RESISTOR 50K 25W, 1/2"
23	2	440-006	RESISTOR 1.0 10W, 1/2"
22	2	440-001	RESISTOR 2.0 10W, 1/2"
21	1	24-008	CAP. ELEC. 10MF
20	1	34-001	CAP. ELEC. 22MF
19	1	994-104	COIL, .35 AH, 2 GAUGE TWS
18	1	254-020	COIL, .46 AH, 2 GAUGE TWS
17	1	44-005	PUSH TERMINAL, 2 POS.
16	4	40-002	CAR. CONNECTOR
15	1	40-001	SWITCH ROT. PL. 20-000-100
14	1	44-000	CDS, ALUM. 1.5 DIA.
13	1	204-001	SET SCREEN 0-02-14
12	4	205-002	SCREW, PAN. HW. 10-32 x 3/8 ELK
11	4	240-004	NUT, D-32
10	1	240-001	NUT, HEX. DRESS 3/8-32 x 3/8
9	4	215-009	WASHER, #10. IN-FL
8	1	215-002	WASHER, FLAT CALD 3/8 x 3/8
7	1	215-005	WASHER 3/8 x 3/8 IN-FL
6	2	215-001	WASHER, 1/2 x 1/2 OD
5	2	424-001	TERMINAL STRIP, 5 POS.
4	1	702-100	WIRE WARRING BU/204/10/BLK
3	1	417-100	SASGET
2	1	215-100	NAMEPLATE 1/2-12
1	1	010-100	ORDERFORM BOARD



INACTIVE FOR FUTURE DESIGN  
 ECO 2-3-77, BY RUTHERFORD

MATERIAL	FINISH	TITLE	HEAT TREAT
DIMENSIONAL TOLERANCES UNLESS OTHERWISE NOTED		DISCOVER ASSEMBLY	E50 INC.
FRAC. DEC. ANG.			SACRAMENTO, CALIF.
X 1/2 6			
SCALE	NO. FIGS.	DRAWN BY	DATE 7-5-77
		CHECKED BY	DATE 7-11-77
NET. 000-108/1005		APPROVED BY	DATE 7-11-77
REV.			DATE

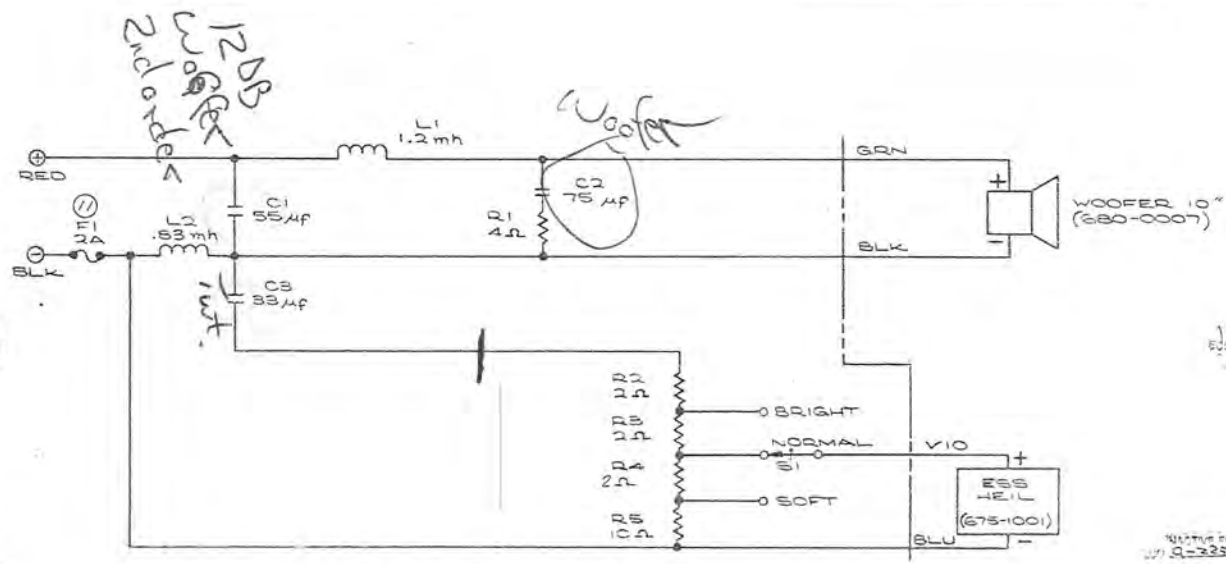
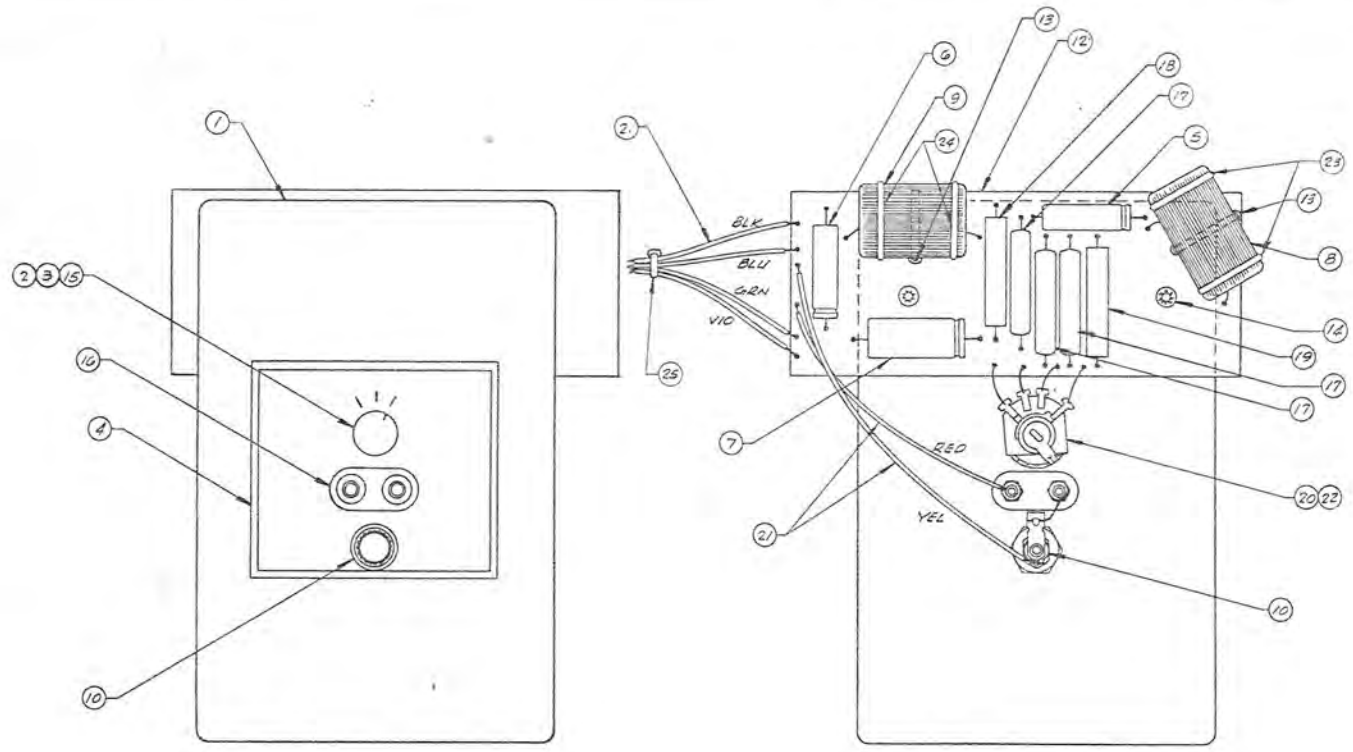
Disco 12"





REVISIONS

PROGRAM TO NEW SERIES CIRCUIT DATE 12/28/54  
 AND CHANGE SIZE - 12.75X12.75 IN. REV. 12/28/54



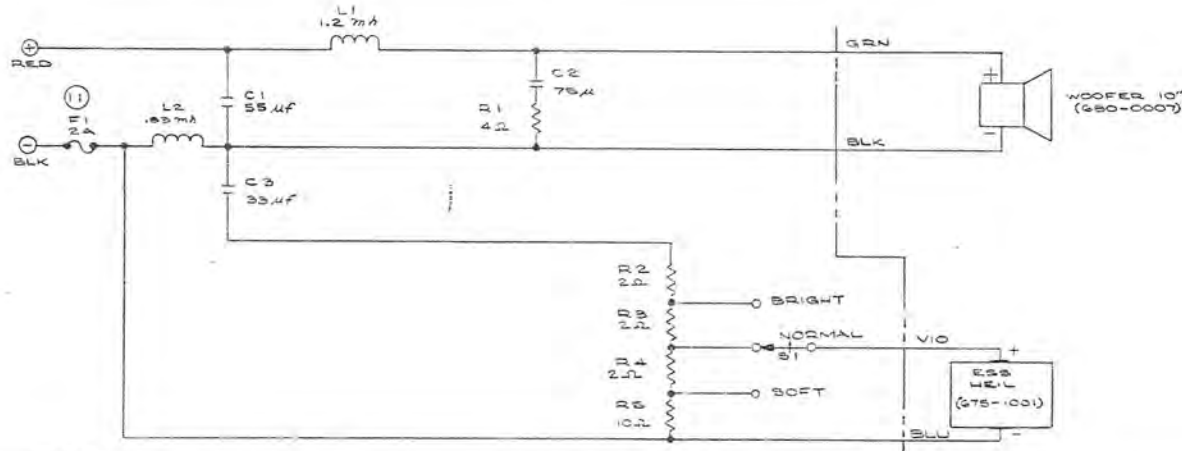
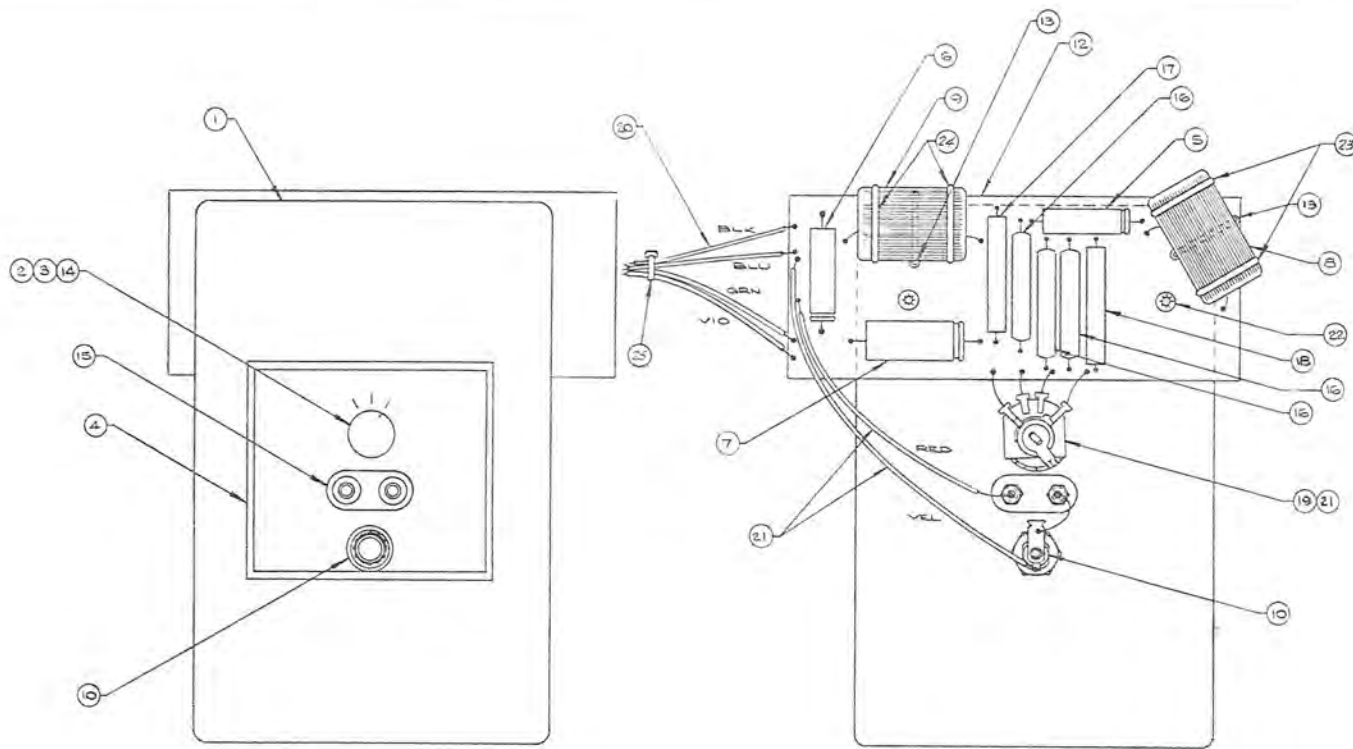
12 DB  
2nd order  
18 DB  
30 dB  
Network

QTY	PART NO	DESCRIPTION/MATERIAL
25	410-0003	CABLE TIE, SSTIM-MP
24	410-0012	CABLE TIE, PUT-2I-MP-R (YEL)
23	410-0010	CABLE TIE, PUT-2I-MP-G (BLU)
22	215-0028	WASHER, INT. LOCK 3/8
21	702-1003	WASHER, ARMY, AMT-1
20	624-0001	SWITCH, ROTARY (S1)
19	810-0007	RESISTOR, POWER 10W, 10 OHM (RS)
18	810-0002	RESISTOR, POWER 10W, 4 OHM (R1)
17	810-0001	RESISTOR, POWER 10W, 2 OHM (R2, R3 & 4)
16	404-0001	BINDING POST
15	445-1003	KNOB, SMALL ALUM. 7/8 INCH
14	410-0005	FASTENER, PUSH ON
13	400-1012	CABLE TIE, PUT-2I-MP
12	400-0004	PC BOARD, AMT-1
11	898-0005	FUSE, FAST-BLD, 2 AMP
10	896-0001	FUSE POST
9	334-1022	INDUCTOR, AIR CORE 1.2 MH (L1)
8	334-1018	INDUCTOR, AIR CORE .88 MH (L2)
7	316-0027	CAP, ELECT. 75 MFD 75V
6	316-0004	CAP, ELECT. 75V, 55 MFD (C1)
5	316-0028	CAP, ELECT. 33 MFD (C2)
4	375-1008	NAMEPLATE, AMT-1
3	340-0001	NUT 3/8 HEX, DRESS
2	204-0001	SCREW, SET 8-32 x 1/4
1	287-1031	MOUNTING BOARD

REPLACEMENT PARTS LIST  
 12-28-54 12-28-54

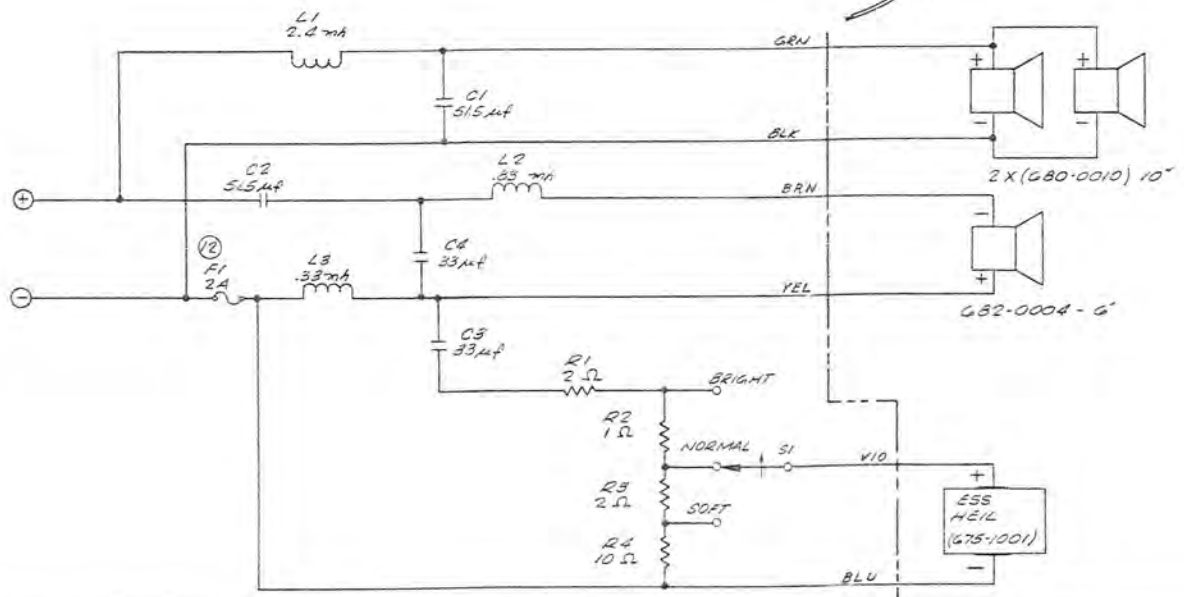
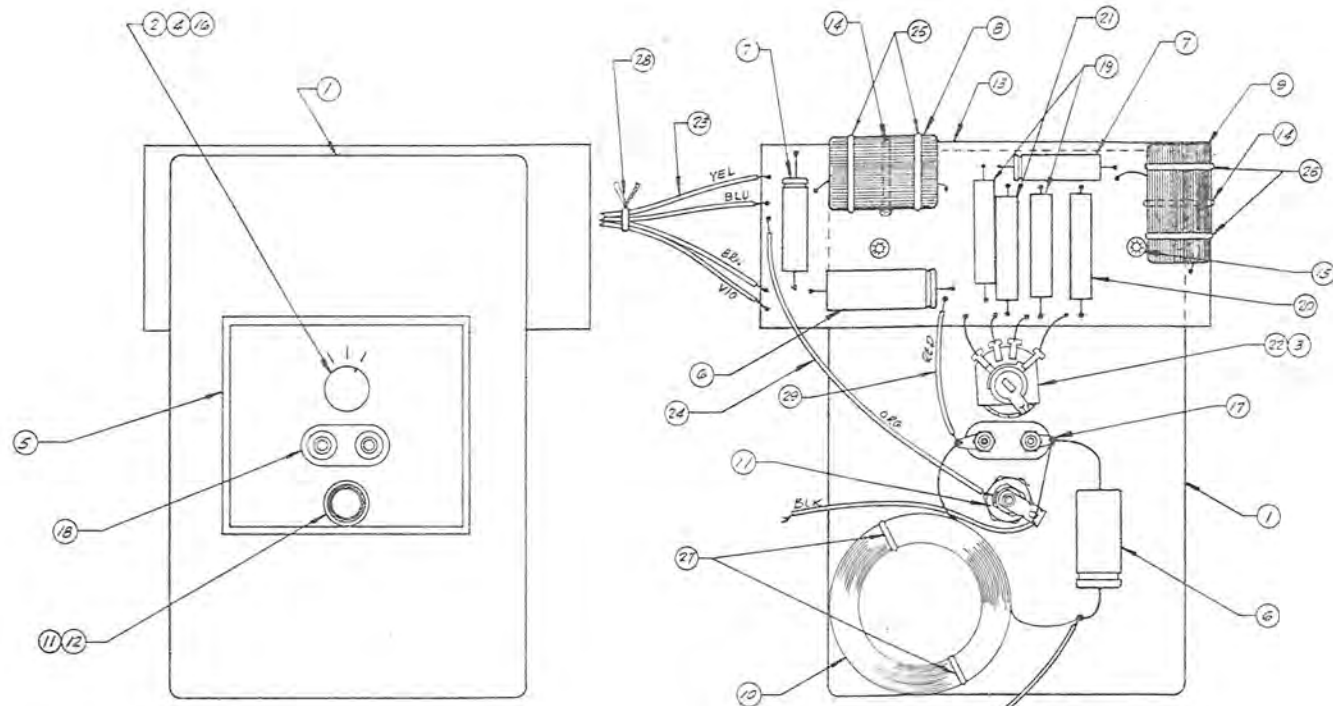
DATE: 12/28/54  
 BY: [Signature]  
 TITLE: [Signature]  
 PART NO: 2-21-74  
 FULL

3M INC  
 MOUNTING BOARD  
 TITLE: CROSSOVER, AMT-1  
 PART NO: AMT-1  
 REV: 1.1 0.695-1000



8 RECORDS IN THIS SERIES CHECKED  
 C. ALL RIGHTS RESERVED FOR THE UNITED STATES GOVERNMENT  
 FORM NO. 100-1000

ITEM	QUANTITY	PART NO.	DESCRIPTION / MATERIAL
25	2	400-0009	CABLE TIE, 55T/M-IMP
24	2	410-0012	CABLE TIE, PLT-2I-MP-4 (YEL)
23	2	410-0010	CABLE TIE, PLT-2I-MP-4 (BLU)
22	2	410-0008	FASTENER, PUSH ON
21	1	218-0028	WASHER, INT. LOCK 3/8"
20	1	024-1003	HARNESSES ASSY, AMT-1
19	1	024-0001	SWITCH, ROTARY (S)
18	1	310-0007	RESISTOR, POWER 10W, 100HM (RES)
17	1	410-0002	RESISTOR, POWER, 10W, 20HM (RES)
16	3	410-0001	RESISTOR, POWER, 10W, 20HM (RES)
15	1	184-0001	BINDING POST, DUAL 2-87B
14	1	445-1003	KNOB, SMALL ALUM 3/8" INCH
13	2	410-0004	CABLE TIE, PLT-2I-MP
12	1	400-1012	DC BOARD, AMT-1
11	1	558-0001	FUSE, FAST-BLD, 2 AMPS
10	1	558-0001	FUSE POST
9	1	314-1022	INDUCTOR, AIR CORE 12.4M (L1)
8	1	314-1022	INDUCTOR, AIR CORE 12.4M (L2)
7	1	810-0027	CAP, ELECT, 75MFD (C2)
6	1	810-0004	CAP, ELECT, 75MFD (C1)
5	1	810-0028	CAP, ELECT, 25MFD (C3)
4	1	276-1013	NAMEPLATE AMT-TOWER
3	1	210-0011	NUT 3/8" HEX DRESS
2	1	204-0001	SCREW, SET S-32 x 1/4"
1	1	100-1001	MOUNTING BOARD
			DESCRIPTION / MATERIAL
2. WOOD			WOOD
4. WOOD			WOOD
2-21-74			CROSS OVER, AMT-TOWER
FULL			AMT-TOWER
1-1			D008-1008



REVISED		DATE	BY	CHKD	APP'D
1	ITEM 8, 22 WAS .20	3-11-74	WJ	WJ	
2	0.01 COLORED CABLE TIES TO COILS, ITEM 25, 27	3-11-74	WJ	WJ	
3	0.01 INSTEAD OF WAS PUT IN PLACE, ITEM 22 WAS	3-11-74	WJ	WJ	
4	IN PLACE, ITEM 22, 23, 24, 25, 26, 27	3-11-74	WJ	WJ	

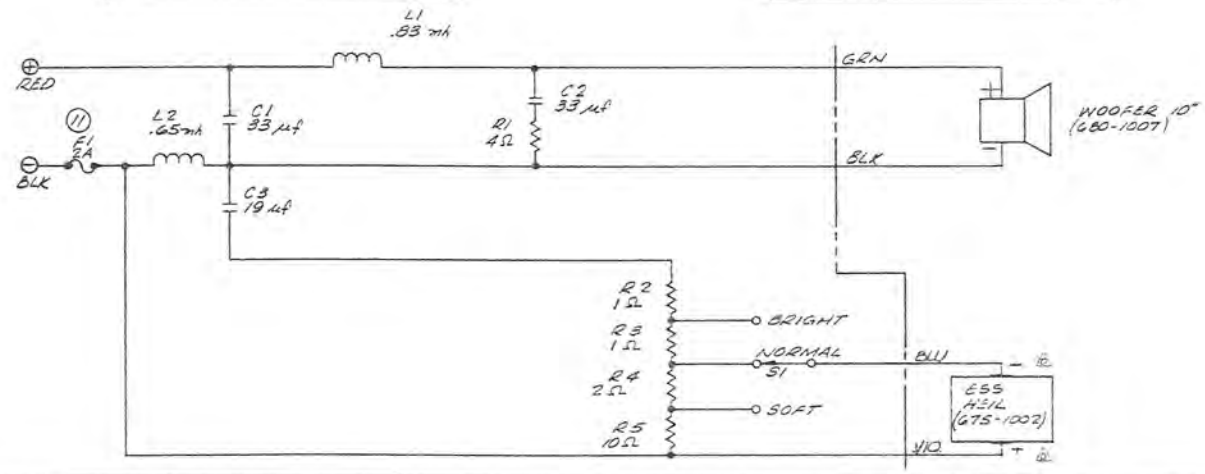
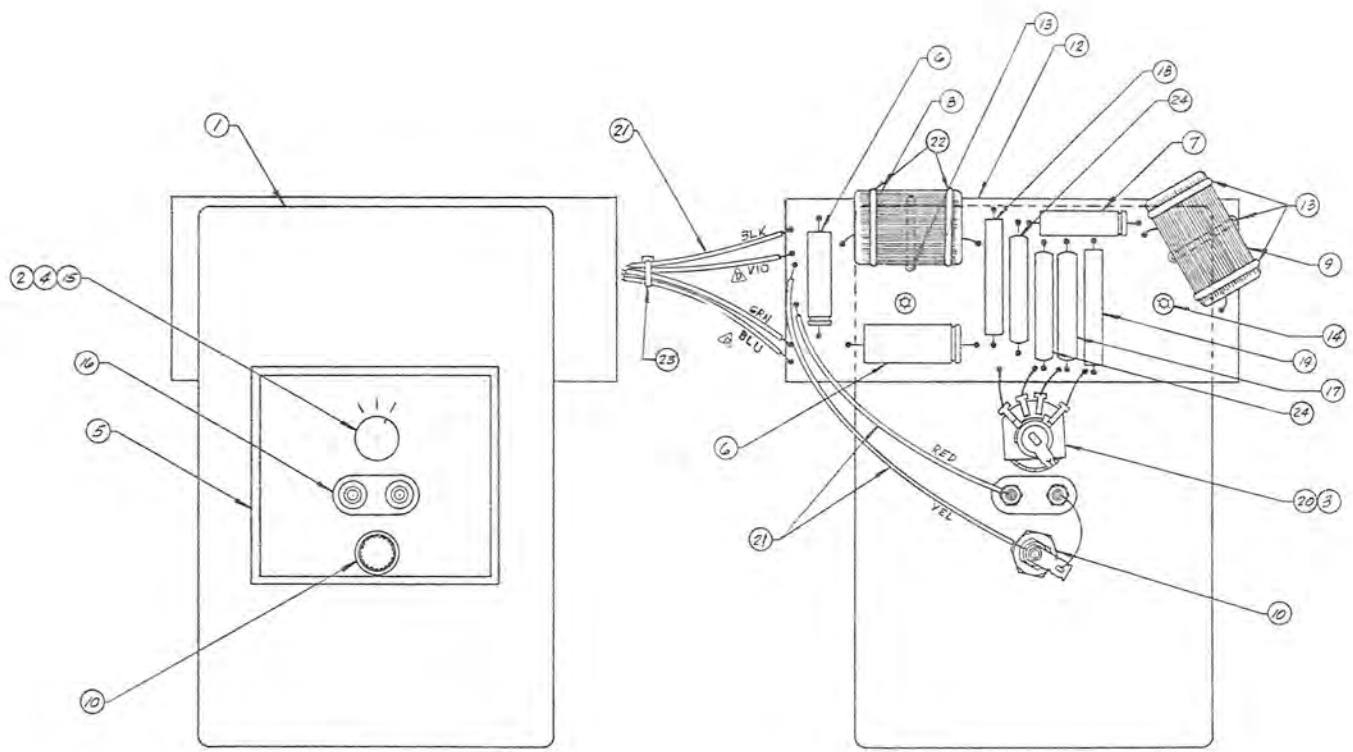
QTY	REF	DESCRIPTION
29	1	746-8222 MAKE-UP WIRE, 20 AWG STRANDED
28	1	- TWIST TIE
27	2	18-0001 CABLE TIE, RT-21-IMP-2 (RED)
26	2	18-0010 CABLE TIE, RT-21-IMP-6 (BLU)
25	2	40-0048 CABLE TIE, RT-21-IMP-5 (GRN)
24	1	746-8222 MAKE-UP WIRE, 20 AWG STRANDED
23	1	746-1009 HEADERS ASSY, AMT-3
22	1	534-0001 SWITCH, ROTARY (S1)
21	1	534-0002 RESISTOR, POWER, 10W, 100Ω (R2)
20	1	534-0007 RESISTOR, POWER, 10W, 200Ω (R3)
19	2	534-0001 RESISTOR, POWER, 10W, 200Ω (R1)
18	1	160-0001 BRUSH POST, DUAL 2-870
17	2	160-0006 SOLDER LUG #6
16	1	444-1003 KNUB, SMALL ALUM 1/8"
15	2	40-0038 FASTENER, PUSH-ON
14	2	110-0004 CABLE TIE, RT-21-IMP
13	1	100-1000 PC BOARD AMT-1
12	1	114-0006 FUSE, FAST-BLD 2A (F1)
11	1	306-0001 FUSE POST
10	1	306-1005 INDUCTOR, AIR CORE 2.4mH (L1)
9	1	306-1019 INDUCTOR, AIR CORE .33mH (L2)
8	1	306-1022 INDUCTOR, AIR CORE .33mH (L3)
7	1	306-0001 CAP, ELECT. 75V, 33μF (C1, C4)
6	3	306-0006 CAP, ELECT. 75V, 515μF (C2, C3)
5	1	376-1014 LAMINATE, AMT-3
4	1	376-0011 WRT. 3/8 HEX DRESS
3	1	376-0012 WASHER, INT. LOCK 3/8
2	1	304-0001 SCREW, SET 8-32 x 1/4
1	1	100-1001 MOUNTING BOARD

PRICE	DATE	DESCRIPTION
1.77	2-12-74	CROSSOVER, AMT-3 PARALLEL/SERIES
1.77	3-11-74	AMT-3
1.77	3-11-74	335-1009

REVISIONS

REV	DATE	BY	CHK	APP
B	1-21-74	...	...	...
C	...	...	...	...
D	...	...	...	...



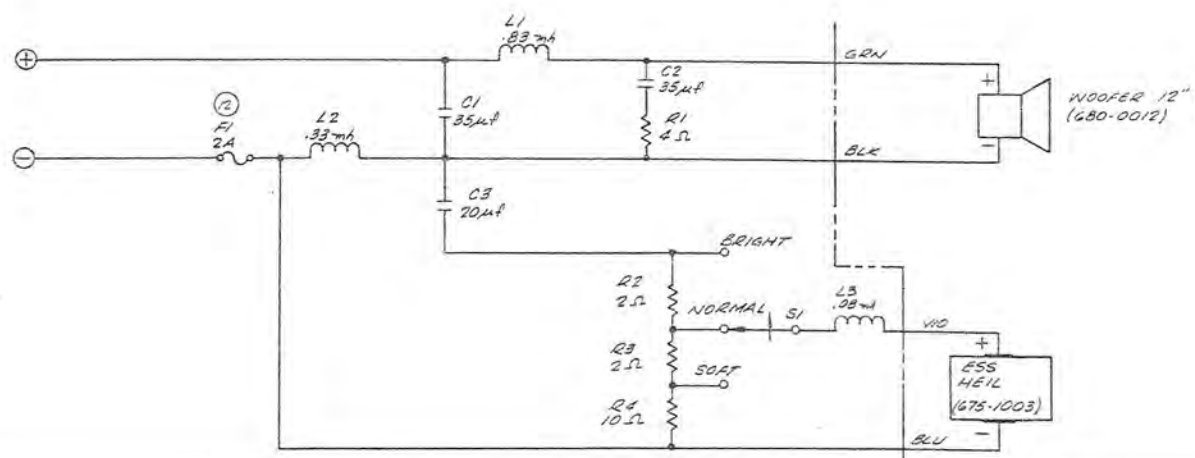
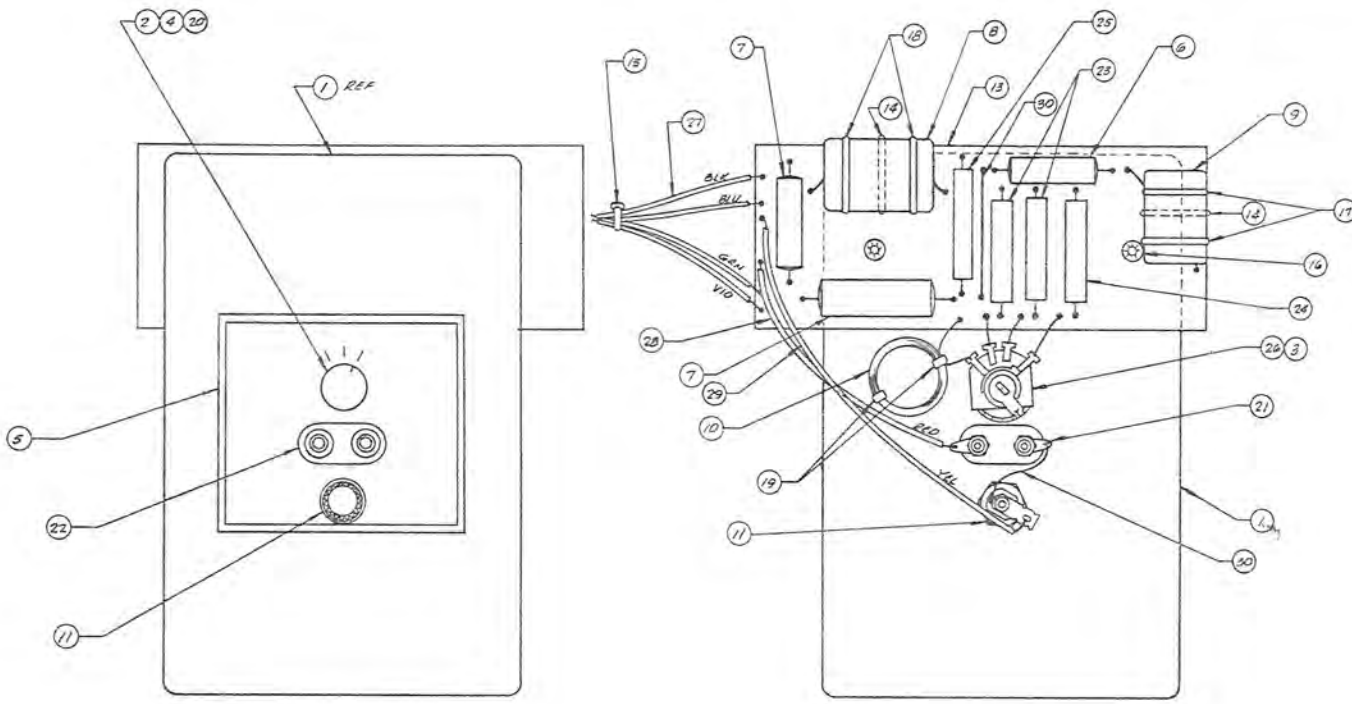
QTY	REV	DESCRIPTION	MATERIAL
24	2	RESISTOR, POWER 10W, 100M (R23)	610-0016
23	2	CABLE TIE, SST/M-NP (NMT)	410-0003
22	2	CABLE TIE, PLY-21-MAG (BLU)	410-0010
21	1	HARNESB ASSY	100-1010
20	1	SWITCH, ROTARY (S1)	610-0001
19	1	RESISTOR, POWER, 10W 100M (R5)	610-0007
18	1	RESISTOR, POWER 10W, 100M (R4)	610-0002
17	1	RESISTOR, POWER 10W, 100M (R3)	610-0001
16	1	BINDING POST, DUAL	610-0001
15	1	KNOB, SMALL ALUM 3/8 DIA	441-1003
14	2	FASTENER, PUSH ON	410-1002
13	4	CABLE TIE, PLY-21-MP	410-0004
12	1	PC BOARD, AMT-1	100-1012
11	1	FUSE, FAST-BLO, 2AMP	198-0005
10	1	FUSE POST	396-0001
9	1	INDUCTOR, AIR CORE .65mH (L2)	114-1932
8	1	INDUCTOR, AIR CORE .83mH (L1)	354-1934
7	1	CAP, ELECT, 150V 50V (C3)	100-0030
6	2	CAP, ELECT, 33000 (C1, 2)	316-0001
5	1	NAMPLATE, AMT-4	100-0001
4	1	NUT, 3/8 HEX, DRESS	114-0001
3	1	HARNER, INT LOCK 3/8	100-0028
2	1	SCREEN, #8-32 1/2 SET	100-0001
1	1	MOUNTING BOARD	100-1001

PRICE	QTY	TOTAL
...	...	...
...	...	...
...	...	...

PRICE	4.44
QTY	1
TOTAL	4.44
DATE	1-21-74
BY	...
CHK	...
APP	...
DESCRIPTION	CROSSOVER AMT-4
REV	1-1
DATE	1-21-74
BY	...
CHK	...
APP	...

REVISIONS

REV	DATE	DESCRIPTION
1		

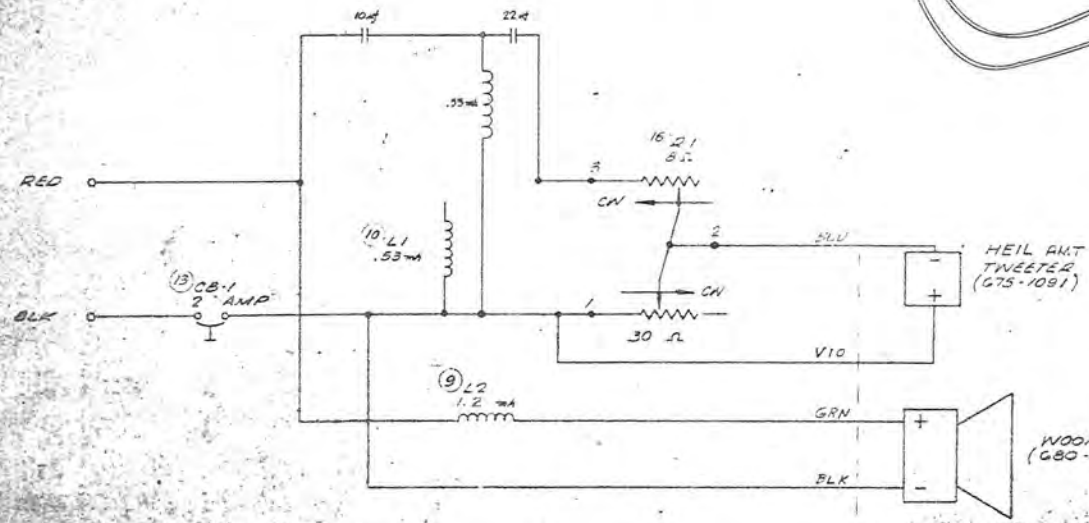
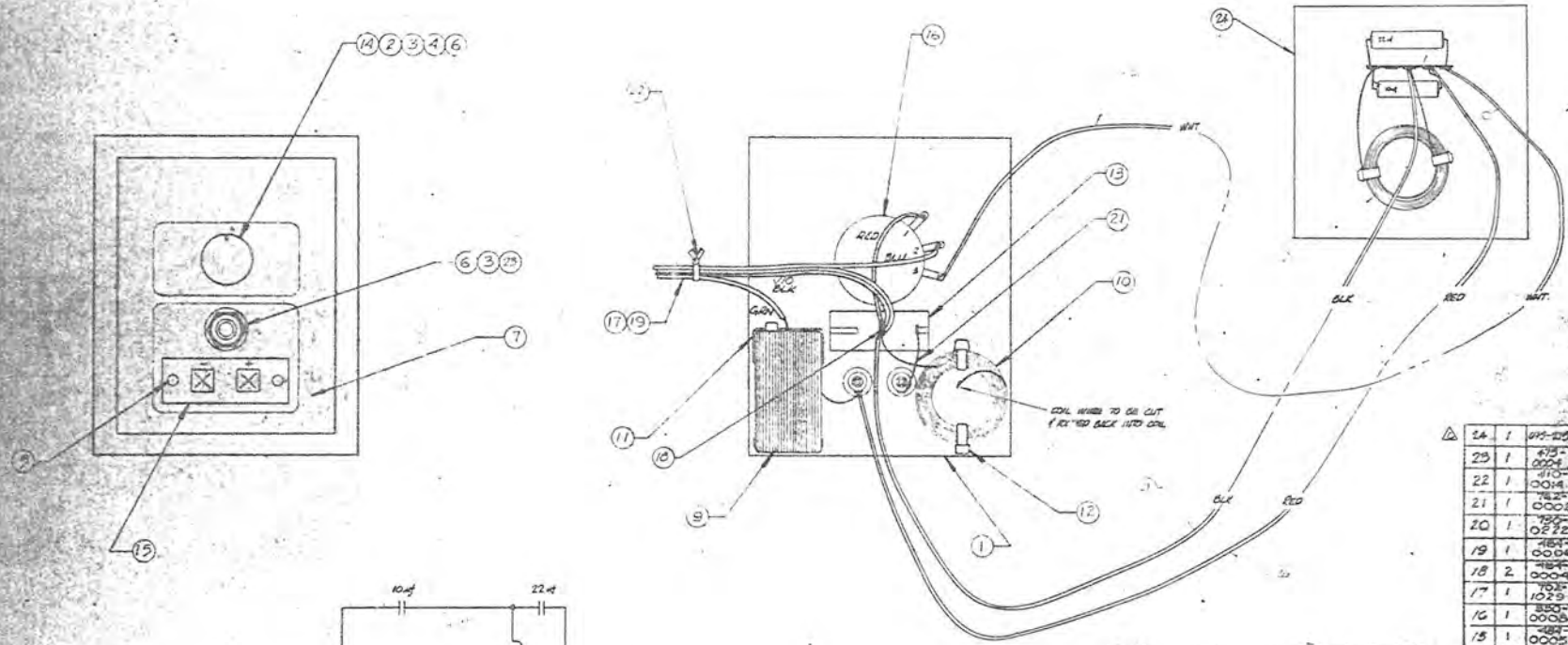


31	4	452-0004	TERMINAL, SOLDBLOCK (ANT 500-001)
30	4	762-0001	RIDGE WIRE 1/8" DIA
29	6 1/2	746-1888	HOOK-UP WIRE 20AWG STRANDED
28	6	746-1888	HOOK-UP WIRE 20AWG STRANDED
27	1	702-1070	HARNESS ASSY, AMT-5
26	1	524-0001	SWITCH, ROTARY (S1)
25	11	612-0002	RESISTOR, POWER, 10W, 500M (R1)
24	1	640-0007	RESISTOR, POWER, 10W, 10 OHM (R2)
23	2	501-0001	RESISTOR, POWER, 10W, 2000 (R3, R4)
22	1	484-0001	BRIDGING POST, DUAL Z-878
21	2	441-0002	SOLDER LUG 3/16"
20	1	445-1003	KNOB, SMALL ALUM 1/2"
19	2	470-0012	CABLE TIE, MET-21-IMP (YMC)
18	2	400-0010	CABLE TIE, MET-21-IMP-6 (BLK)
17	2	470-0012	CABLE TIE, MET-21-IMP (GRN)
16	2	470-0008	FASTENER, PUSH-ON
15	2	470-0003	CABLE TIE, SSTIM-IMP
14	2	470-0004	CABLE TIE, MET-21-IMP
13	1	400-0002	PC BOARD AMT-5
12	1	395-0005	FUSE, FAST-BLO 2A (F1)
11	1	395-0001	FUSE POST
10	1	354-1071	INDUCTOR, AIR CORE 20W (L1)
9	1	354-1072	INDUCTOR, AIR CORE 55W (L2)
8	1	354-1078	INDUCTOR, AIR CORE 83W (L3)
7	2	300-0001	CAP, ELECT. 25V, 20UF (C1, C2)
6	1	300-0020	CAP, ELECT. 75V, 20UF (C3)
5	1	276-1002	NAMEPLATE, AMT-5
4	1	240-0001	NUT, 1/2 HEX DRESS
3	1	218-0002	WASHER, INT. LOCK 3/8"
2	1	204-0001	SCREEN, DET B132 1/2"
1	1	180-0001	MONITORING BOARD

REV	DATE	DESCRIPTION
1		

CROSS OVER, AMT-5  
 ANT-5  
 L-L CAS-AM1

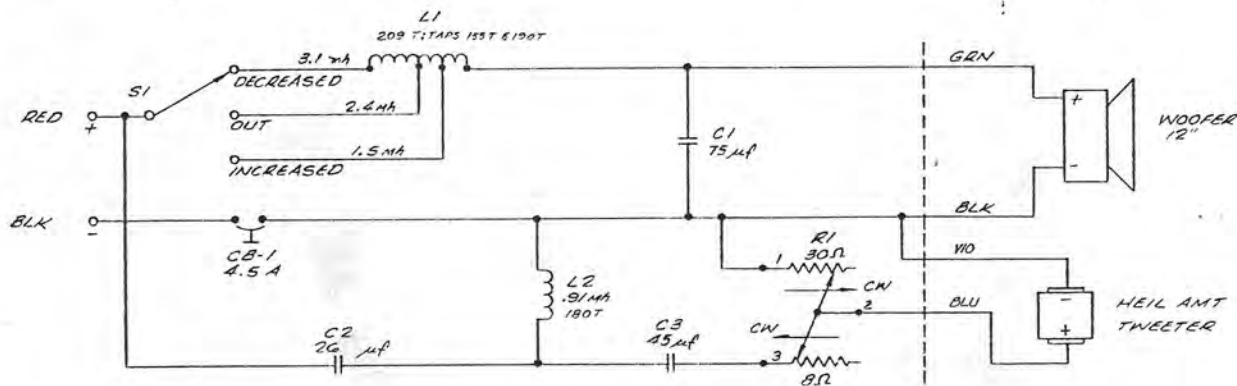
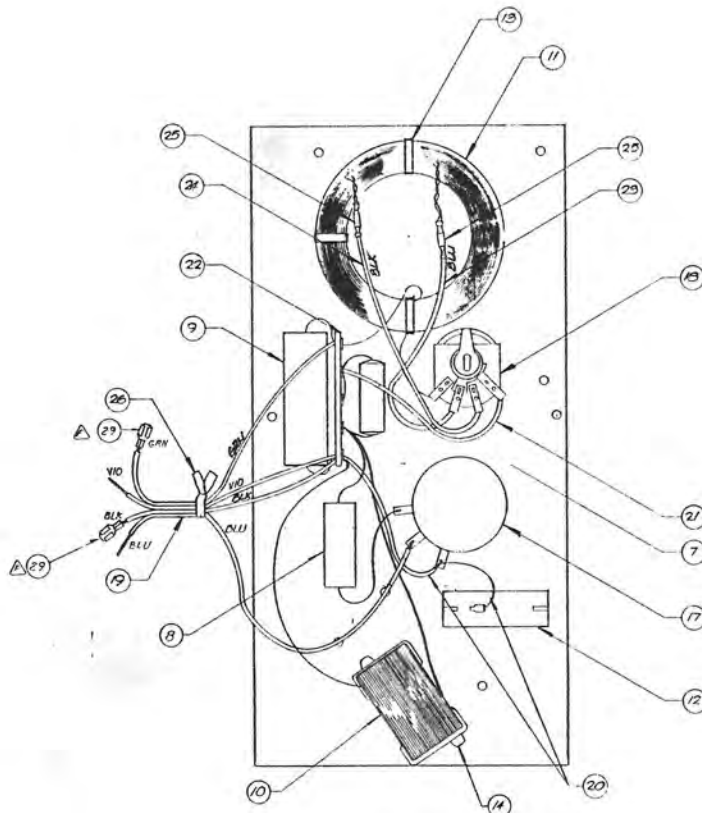
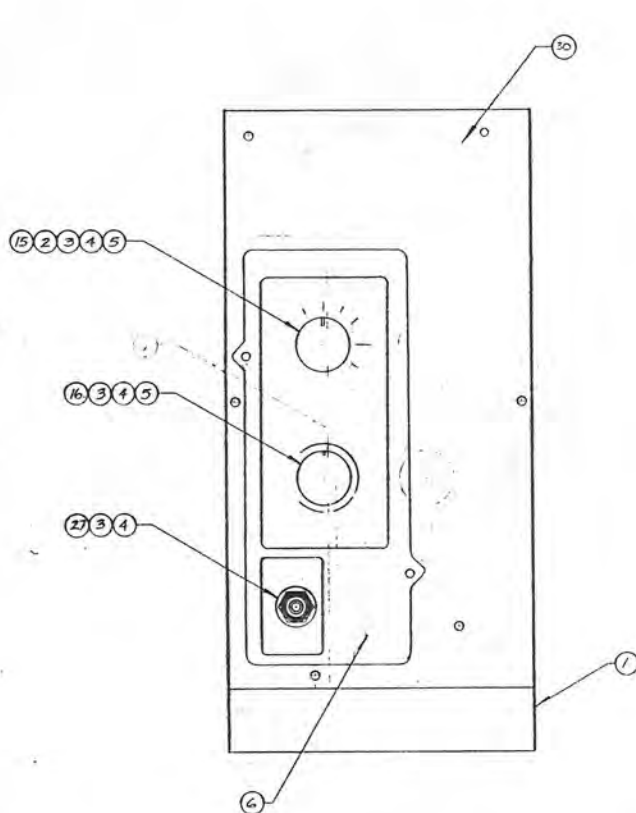
REVISIONS					
REV.	NO.	DATE	BY	REVISION	APPROVED
1	1	10-15-54	...	...	...
2	1	...	...	...	...
3	1	...	...	...	...
4	1	...	...	...	...
5	1	...	...	...	...
6	1	...	...	...	...
7	1	...	...	...	...
8	1	...	...	...	...
9	1	...	...	...	...
10	1	...	...	...	...
11	1	...	...	...	...
12	1	...	...	...	...
13	1	...	...	...	...
14	1	...	...	...	...
15	1	...	...	...	...
16	1	...	...	...	...
17	1	...	...	...	...
18	1	...	...	...	...
19	1	...	...	...	...
20	1	...	...	...	...
21	1	...	...	...	...
22	1	...	...	...	...
23	1	...	...	...	...
24	1	...	...	...	...



REV.	NO.	DATE	BY	REVISION	APPROVED
24	1	04-12-54	...	BLACK-FIL HOSE TEST	...
23	1	0004	...	PANEL FRAMING RE-...	...
22	1	410-0014	...	WIRESS. TIE	...
21	1	0002	...	WIRE, AWG 20, BLK	...
20	1	100-0272	...	WIRE, AWG 20, SOL. ...	...
19	1	0004	...	TERMINAL, 1/8" DIA. ...	...
18	2	100-0004	...	TERMINAL, 1/8" DIA. ...	...
17	1	1029	...	WIRE, AWG 20, BLK, ...	...
16	1	0000	...	POT, 50K, L-FRD	...
15	1	0005	...	RUSH TERMINAL, 2 POS	...
14	1	1005	...	1/2" DIA. CLAMP FOR ...	...
13	1	0006	...	CABLE TIE, YELLOW	...
12	REF	0004	...	CABLE TIE, GRAY	...
11	REF	0012	...	CABLE TIE, YELLOW	...
10	1	0005	...	COIL, 12M, 100 YAL. ...	...
9	1	0001	...	COIL, 12M, 100 YAL. ...	...
7	1	1070	...	WINDUP, 1000 ...	...
6	3	0011	...	WIRE, AWG 20, ...	...
5	2	0007	...	WIRE, AWG 20, ...	...
4	1	0003	...	WIRE, AWG 20, ...	...
3	2	0001	...	WIRE, AWG 20, ...	...
2	1	0001	...	WIRE, AWG 20, ...	...

Amt 5A

B	REVISED LAYOUT TO MAKE FRONT READING	10-7	10/10	1/1	10/10
C	ADD 1/2" DIA. PANEL BUSHING TO L.C. (PART # 27-32)	10/10	10/10	1/1	10/10
D	CHANGE WIRE HARNESS TO 1/2" DIA. PANEL BUSHING TO L.C. (PART # 27-32)	10/10	10/10	1/1	10/10
E	REWORK BUSHING TO 1/2" DIA. PANEL BUSHING TO L.C. (PART # 27-32)	10/10	10/10	1/1	10/10
F	ADD 1/2" DIA. PANEL BUSHING TO L.C. (PART # 27-32)	10/10	10/10	1/1	10/10



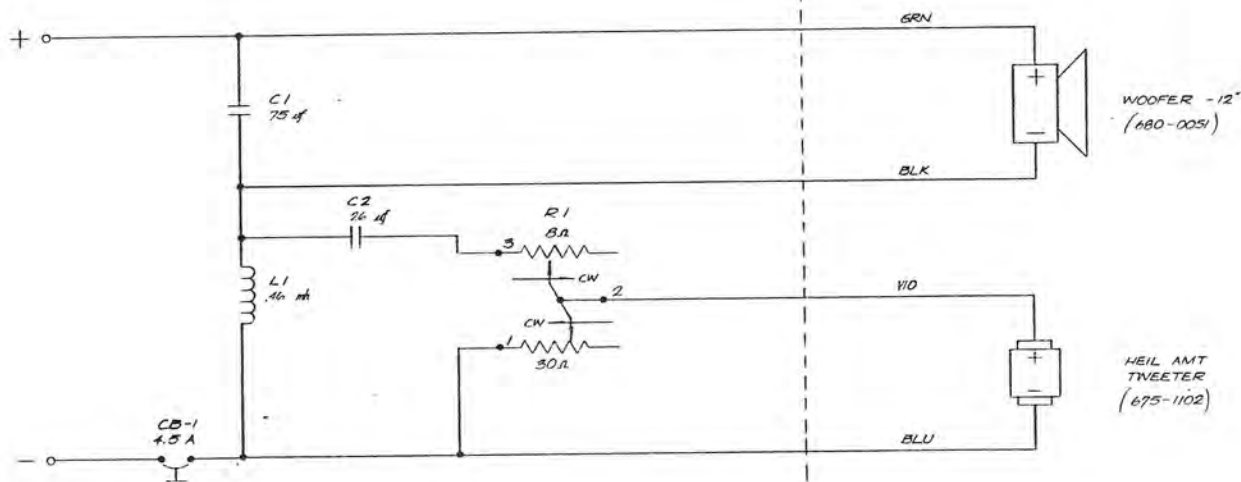
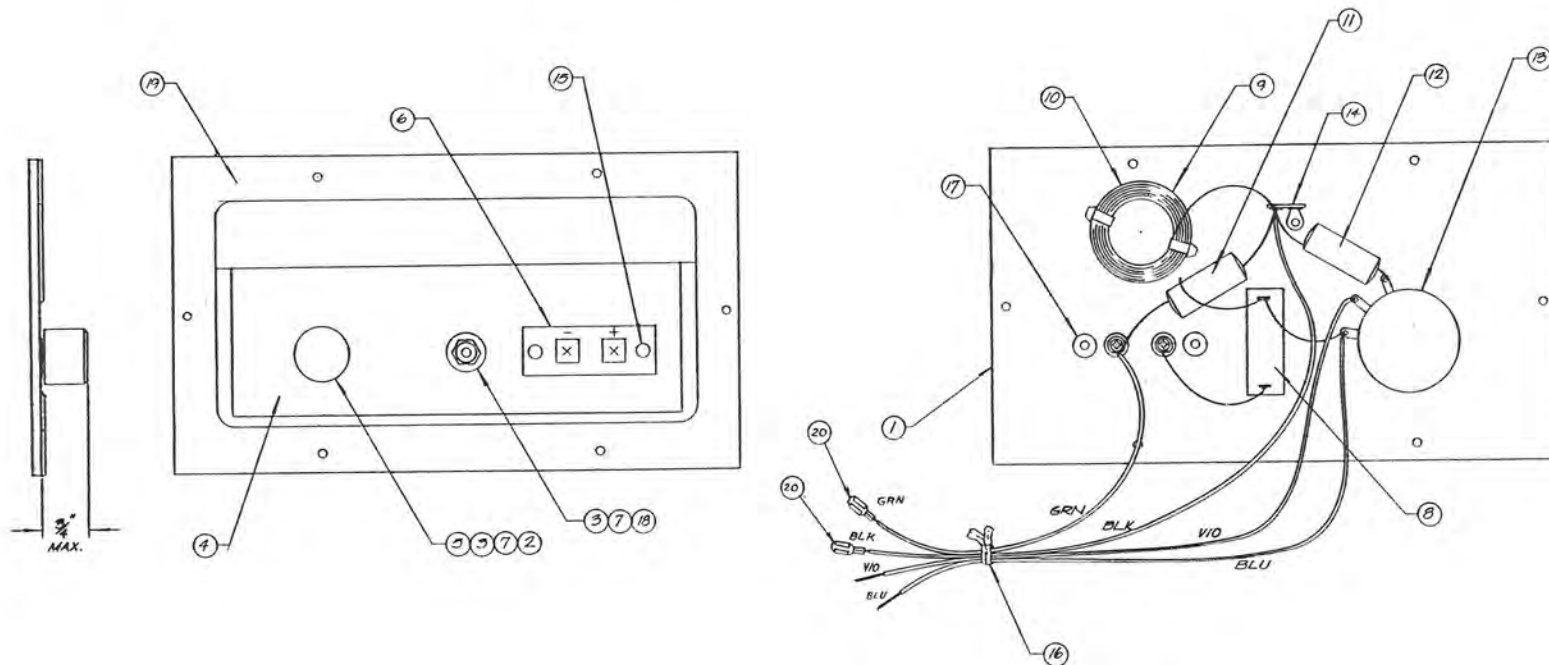
30	1	417-1043	CROSS-OVER GASKET
29	2	184-0004	TERMINAL SOLDERLESS, UNINSUL
28	1	417-1043	GASKET, .002" VCLAR
27	1	635	PANEL BUSHING, 3/8-32
26	1	110-0014	HARNES TIE
25	AR	0009	SLEEVING, SHRINK FIT
24	AR	750-0000	WIRE, HOOKUP 22 AWG BLK
23	AR	750-0666	WIRE, HOOKUP 22 AWG BLU
22	1	489-0008	TERMINAL STRIP 12 LUG
21	AR	750-0222	WIRE, HOOKUP 22 AWG RED
20	AR	0002	WIRE, BUSS, 20 AWG
19	1	102-1041	WIRE HARNESS
18	1	550-0008	POT 8 Ω (R1)
17	1	443-1010	KNOB ALUM 3/8 DIA, ANVIL
16	1	443-1803	KNOB ALUM 3/8 DIA
15	1	410-0018	CABLE TIE VIO
15	3	410-0011	CABLE TIE RED
12	1	355-0012	C-BREAKER 4.5 AMP (CB-1)
11	1	1088	COIL 15/2-5/31 AWG 12 Ω (L1)
10	1	1029	COIL .91MA WGTIES (L2)
9	1	316-0027	CAP ELECT 75 MFD (C1)
8	1	316-0035	CAP ELECT 45 MFD (C3)
7	1	316-0034	CAP ELECT 25 MFD (C2)
6	1	276-1481	NAMEPLATE, AMT-1A
5	3	240-0011	NUT, HEX DRESS 3/8-32
4	3	215-0037	WASHER 3/8 x 3/8
3	3	215-0020	WASHER 3/8 x 1/2
2	1	204-0001	SET SCREW 8-32 x 1/2
1	1	1504	MOUNTING BOARD

PRICE 9-7-75  
 1/1 7-18-75  
 1/1 7-18-75  
 9-18-75  
 FULL

CROSSOVER,  
 AMT-1A

AMT-1A  
 1 2 685-1070

REV	DESCRIPTION	DATE	BY	CHK
1	INITIAL			
2	C1 2 75 uF 25V	1/17/75	GT	GT
3	C2 2 25 uF 25V 9 mm 25 C2	1/17/75	GT	GT
4	L1 1 16 mH	1/17/75	GT	GT
5	R1 1 30 OHM	1/17/75	GT	GT
6	ADD WIRE HARNESS TO CAB. PART # 475-0004	4-30-75	GT	GT
7	ATTACHED TO TERMINAL, SOLDERLESS, UNSUL. 484-0004	10-18-75	ED	ED



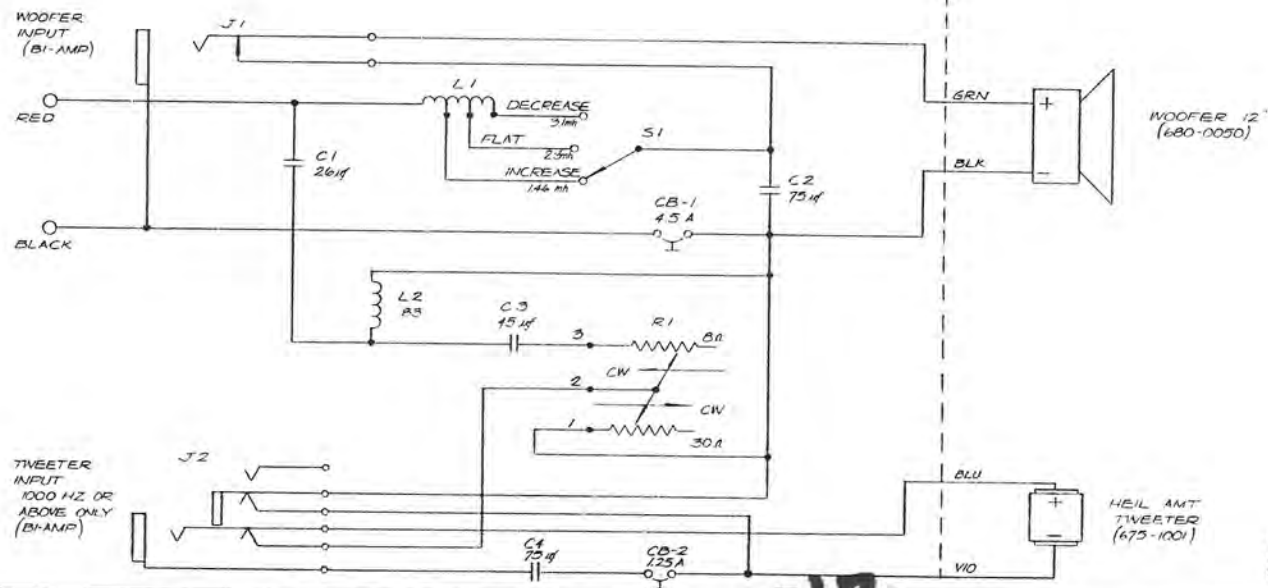
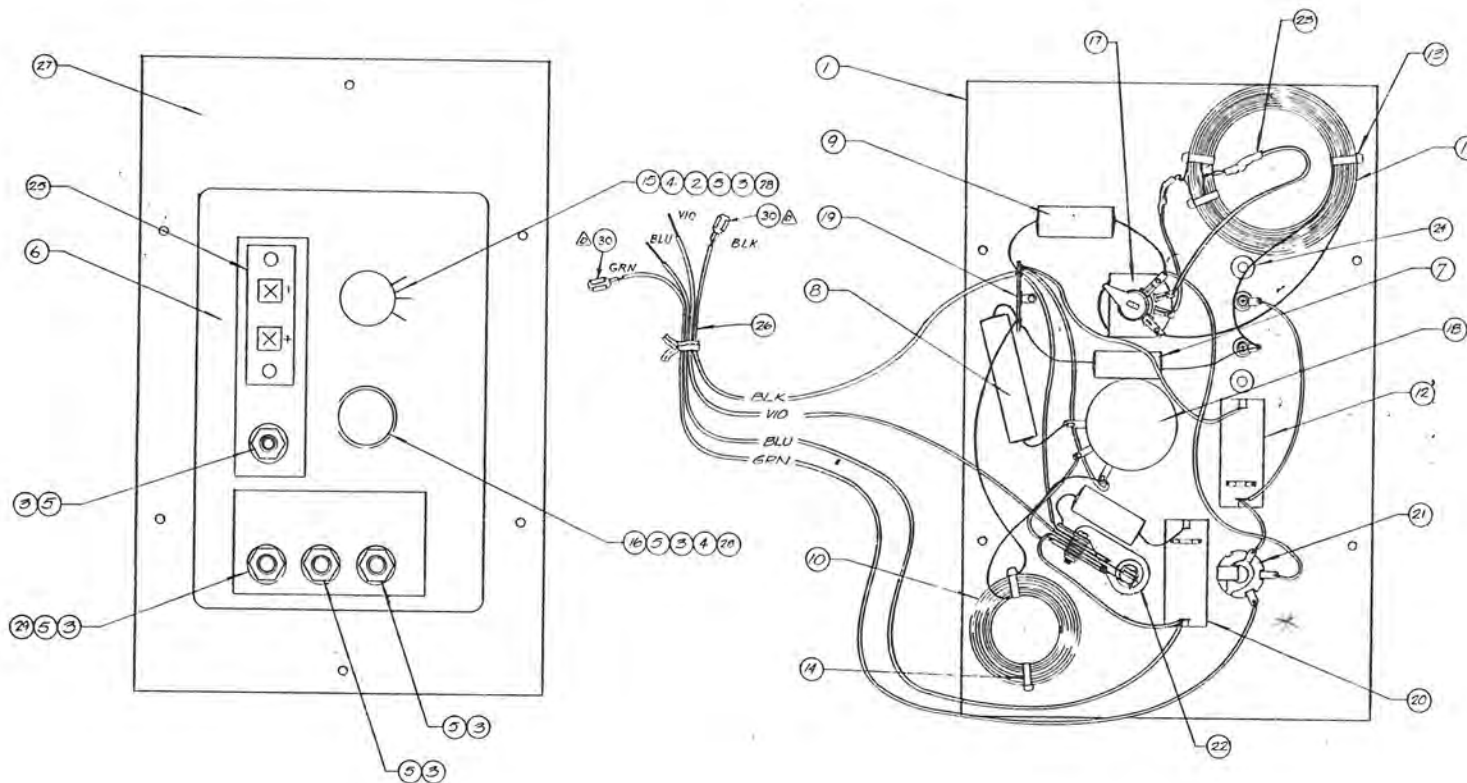
QTY	REF	DESCRIPTION
20	2	484-0004 TERMINAL, SOLDERLESS, UNSUL
19	1	717-1057 GASKET, .062 VOLARA
18	1	475-0004 PANEL BUSHING, 1/8-22
17	2	215-0001 WASHER 1/8 x 3/64
16	1	702-1040 WIRE HARNESS
15	2	221-0007 RIVET, 1/8 x 3/64
14	1	484-0007 TERMINAL STRIP
13	1	280-0008 POT, 5.0
12	1	316-0004 CAP ELECT 25 MFD 75 VDC
11	1	316-0007 CAP ELECT 75 MFD 75 VDC
10	2	410-0017 CABLE TIE, ORG
9	1	334-1020 COIL, 2 ORG TIES, 16 MA
8	1	593-0012 CIRCUIT BREAKER 4.5A
7	2	240-0011 NUT, HEX DRESS 3/8x32x1/2
6	1	484-0005 PUSH TERMINAL, 2 POS.
5	1	443-1045 KNOB, KNURL - 1/8 CLEAR
4	1	276-1418 NAMEPLATE, AMT-1A BUSH
3	2	215-0037 WASHER, FLAT, COPR 3/64
2	2	215-0007 WASHER, IN-TL 3/8 x 1/2
1	1	702-0016 CROSSOVER BOARD

TAMANO 12245

Rev 1-13-75 CROSSOVER ASSEMBLY  
1-13-75  
FULL

AMT-1A BOOKSHELF  
1 3 695-1102, 5

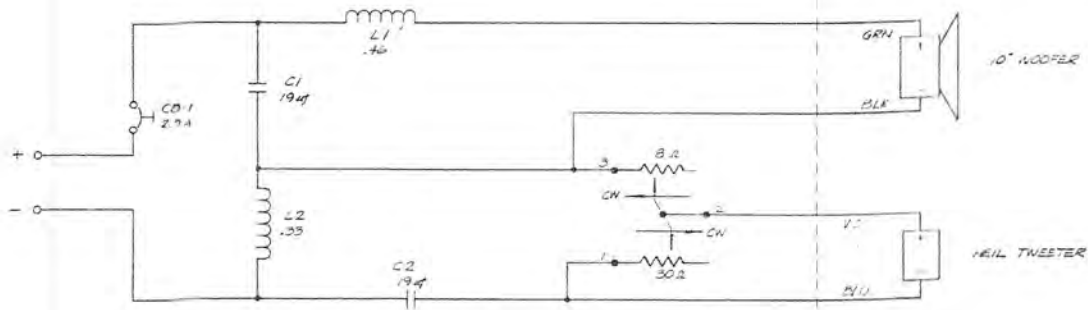
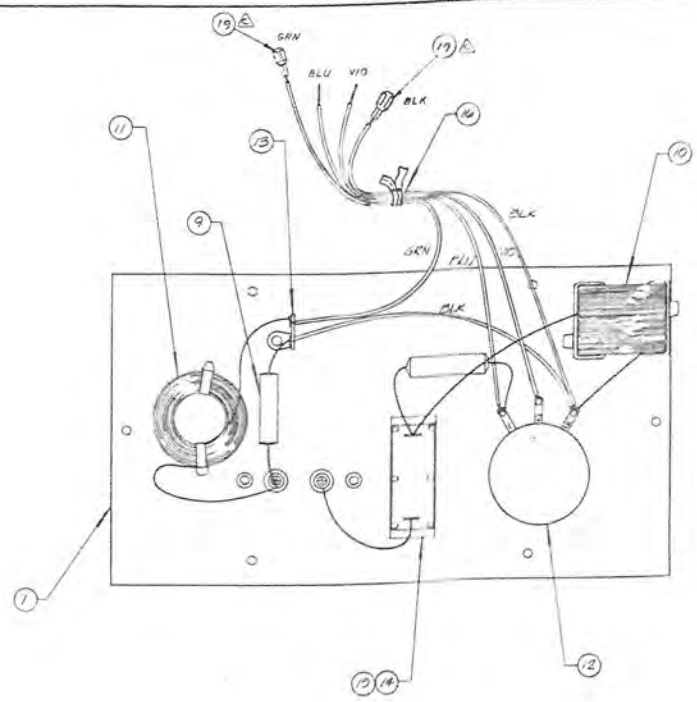
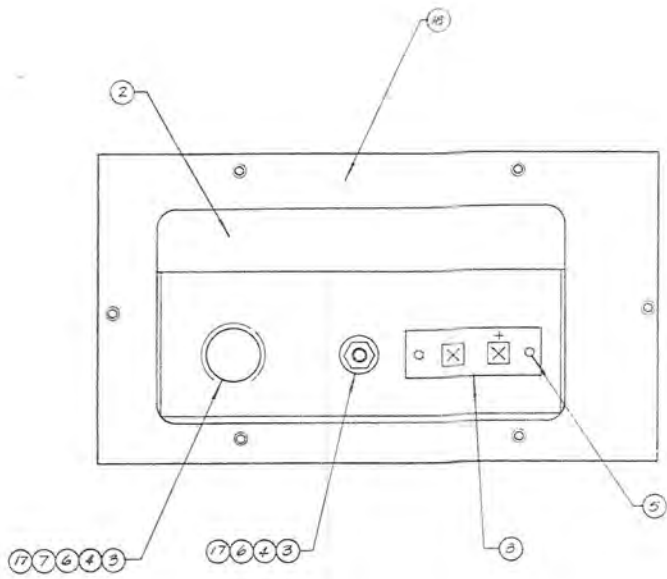




3. APPROX. 1/4" DIA. (2) (3) (4) (5) (6) (7) (8) (9) (10) (11) (12) (13) (14) (15) (16) (17) (18) (19) (20) (21) (22) (23) (24) (25) (26) (27) (28) (29) (30) (31) (32) (33) (34) (35) (36) (37) (38) (39) (40) (41) (42) (43) (44) (45) (46) (47) (48) (49) (50) (51) (52) (53) (54) (55) (56) (57) (58) (59) (60) (61) (62) (63) (64) (65) (66) (67) (68) (69) (70) (71) (72) (73) (74) (75) (76) (77) (78) (79) (80) (81) (82) (83) (84) (85) (86) (87) (88) (89) (90) (91) (92) (93) (94) (95) (96) (97) (98) (99) (100) (101) (102) (103) (104) (105) (106) (107) (108) (109) (110) (111) (112) (113) (114) (115) (116) (117) (118) (119) (120) (121) (122) (123) (124) (125) (126) (127) (128) (129) (130) (131) (132) (133) (134) (135) (136) (137) (138) (139) (140) (141) (142) (143) (144) (145) (146) (147) (148) (149) (150) (151) (152) (153) (154) (155) (156) (157) (158) (159) (160) (161) (162) (163) (164) (165) (166) (167) (168) (169) (170) (171) (172) (173) (174) (175) (176) (177) (178) (179) (180) (181) (182) (183) (184) (185) (186) (187) (188) (189) (190) (191) (192) (193) (194) (195) (196) (197) (198) (199) (200) (201) (202) (203) (204) (205) (206) (207) (208) (209) (210) (211) (212) (213) (214) (215) (216) (217) (218) (219) (220) (221) (222) (223) (224) (225) (226) (227) (228) (229) (230) (231) (232) (233) (234) (235) (236) (237) (238) (239) (240) (241) (242) (243) (244) (245) (246) (247) (248) (249) (250) (251) (252) (253) (254) (255) (256) (257) (258) (259) (260) (261) (262) (263) (264) (265) (266) (267) (268) (269) (270) (271) (272) (273) (274) (275) (276) (277) (278) (279) (280) (281) (282) (283) (284) (285) (286) (287) (288) (289) (290) (291) (292) (293) (294) (295) (296) (297) (298) (299) (300) (301) (302) (303) (304) (305) (306) (307) (308) (309) (310) (311) (312) (313) (314) (315) (316) (317) (318) (319) (320) (321) (322) (323) (324) (325) (326) (327) (328) (329) (330) (331) (332) (333) (334) (335) (336) (337) (338) (339) (340) (341) (342) (343) (344) (345) (346) (347) (348) (349) (350) (351) (352) (353) (354) (355) (356) (357) (358) (359) (360) (361) (362) (363) (364) (365) (366) (367) (368) (369) (370) (371) (372) (373) (374) (375) (376) (377) (378) (379) (380) (381) (382) (383) (384) (385) (386) (387) (388) (389) (390) (391) (392) (393) (394) (395) (396) (397) (398) (399) (400) (401) (402) (403) (404) (405) (406) (407) (408) (409) (410) (411) (412) (413) (414) (415) (416) (417) (418) (419) (420) (421) (422) (423) (424) (425) (426) (427) (428) (429) (430) (431) (432) (433) (434) (435) (436) (437) (438) (439) (440) (441) (442) (443) (444) (445) (446) (447) (448) (449) (450) (451) (452) (453) (454) (455) (456) (457) (458) (459) (460) (461) (462) (463) (464) (465) (466) (467) (468) (469) (470) (471) (472) (473) (474) (475) (476) (477) (478) (479) (480) (481) (482) (483) (484) (485) (486) (487) (488) (489) (490) (491) (492) (493) (494) (495) (496) (497) (498) (499) (500) (501) (502) (503) (504) (505) (506) (507) (508) (509) (510) (511) (512) (513) (514) (515) (516) (517) (518) (519) (520) (521) (522) (523) (524) (525) (526) (527) (528) (529) (530) (531) (532) (533) (534) (535) (536) (537) (538) (539) (540) (541) (542) (543) (544) (545) (546) (547) (548) (549) (550) (551) (552) (553) (554) (555) (556) (557) (558) (559) (560) (561) (562) (563) (564) (565) (566) (567) (568) (569) (570) (571) (572) (573) (574) (575) (576) (577) (578) (579) (580) (581) (582) (583) (584) (585) (586) (587) (588) (589) (590) (591) (592) (593) (594) (595) (596) (597) (598) (599) (600) (601) (602) (603) (604) (605) (606) (607) (608) (609) (610) (611) (612) (613) (614) (615) (616) (617) (618) (619) (620) (621) (622) (623) (624) (625) (626) (627) (628) (629) (630) (631) (632) (633) (634) (635) (636) (637) (638) (639) (640) (641) (642) (643) (644) (645) (646) (647) (648) (649) (650) (651) (652) (653) (654) (655) (656) (657) (658) (659) (660) (661) (662) (663) (664) (665) (666) (667) (668) (669) (670) (671) (672) (673) (674) (675) (676) (677) (678) (679) (680) (681) (682) (683) (684) (685) (686) (687) (688) (689) (690) (691) (692) (693) (694) (695) (696) (697) (698) (699) (700) (701) (702) (703) (704) (705) (706) (707) (708) (709) (710) (711) (712) (713) (714) (715) (716) (717) (718) (719) (720) (721) (722) (723) (724) (725) (726) (727) (728) (729) (730) (731) (732) (733) (734) (735) (736) (737) (738) (739) (740) (741) (742) (743) (744) (745) (746) (747) (748) (749) (750) (751) (752) (753) (754) (755) (756) (757) (758) (759) (760) (761) (762) (763) (764) (765) (766) (767) (768) (769) (770) (771) (772) (773) (774) (775) (776) (777) (778) (779) (780) (781) (782) (783) (784) (785) (786) (787) (788) (789) (790) (791) (792) (793) (794) (795) (796) (797) (798) (799) (800) (801) (802) (803) (804) (805) (806) (807) (808) (809) (810) (811) (812) (813) (814) (815) (816) (817) (818) (819) (820) (821) (822) (823) (824) (825) (826) (827) (828) (829) (830) (831) (832) (833) (834) (835) (836) (837) (838) (839) (840) (841) (842) (843) (844) (845) (846) (847) (848) (849) (850) (851) (852) (853) (854) (855) (856) (857) (858) (859) (860) (861) (862) (863) (864) (865) (866) (867) (868) (869) (870) (871) (872) (873) (874) (875) (876) (877) (878) (879) (880) (881) (882) (883) (884) (885) (886) (887) (888) (889) (890) (891) (892) (893) (894) (895) (896) (897) (898) (899) (900) (901) (902) (903) (904) (905) (906) (907) (908) (909) (910) (911) (912) (913) (914) (915) (916) (917) (918) (919) (920) (921) (922) (923) (924) (925) (926) (927) (928) (929) (930) (931) (932) (933) (934) (935) (936) (937) (938) (939) (940) (941) (942) (943) (944) (945) (946) (947) (948) (949) (950) (951) (952) (953) (954) (955) (956) (957) (958) (959) (960) (961) (962) (963) (964) (965) (966) (967) (968) (969) (970) (971) (972) (973) (974) (975) (976) (977) (978) (979) (980) (981) (982) (983) (984) (985) (986) (987) (988) (989) (990) (991) (992) (993) (994) (995) (996) (997) (998) (999) (1000)

30	2	184-0004	TERMINAL, SOLDERLESS, UNSUL
29	1	215-0041	WASHER, INSUL. .505 ID x .687 OD
28	2	415-0044	DRENKER BUSHING
27	1	474-0066	GASKET
26	1	702-1040	WIRE HARNESS
25	1	434-0005	PUSH TERMINAL, 2 POS.
24	2	215-0021	WASHER, 5/8 x 3/8
23	1	704-0008	BLACK HIX TUBING
22	1	450-0002	PHONEJACK,
21	1	430-0007	PHONEJACK, #337L, 1 PRONG
20	1	511-0006	C'BREAKER, 2 AMP (CB-2)
19	1	480-0008	TERMINAL STRIP, 3 POS
18	1	200-0008	POT, 5K
17	1	624-0001	SWITCH (S1)
16	1	445-1003	ALUM KNOB, 1/8 DIA.
15	1	445-1010	ALUM KNOB, 1/8 DIA, KNURL
14	2	447-0018	CABLE TIE, VIO
13	4	410-0011	CABLE TIE, RED
12	1	594-0002	C'BREAKER, 4.5 AMP (CB-1)
11	1	334-1008	COIL, 1/2 IN. x 1/2 IN. RED TIES
10	1	334-1009	COIL, 9 IN. x 1/2 IN. TIES
9	2	316-0027	CAP ELECT 75 MFD (C2, C4)
8	1	316-0033	CAP ELECT 75 MFD (C3)
7	1	316-0034	CAP ELECT 26 MFD (C1)
6	1	446-1416	NAMEPLATE, AMT-1AM
5	6	240-0011	NUT, HEX DRESS. 3/8-32
4	3	215-0017	WASHER, 3/8 x 1/8 IN-T-L
3	6	215-0023	WASHER, 3/8 x 3/8
2	1	201-0001	SET SCREEN, 8-32 x 4.
1	1	202-1002	MOUNTING BOARD.

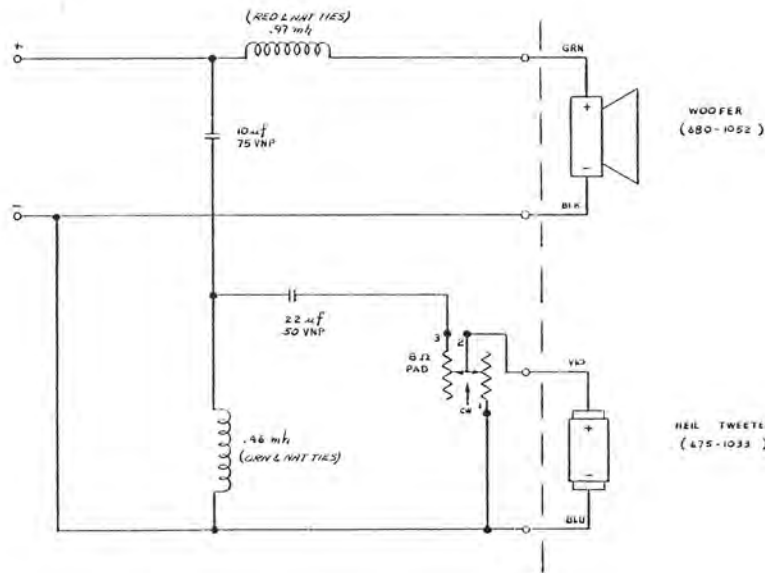
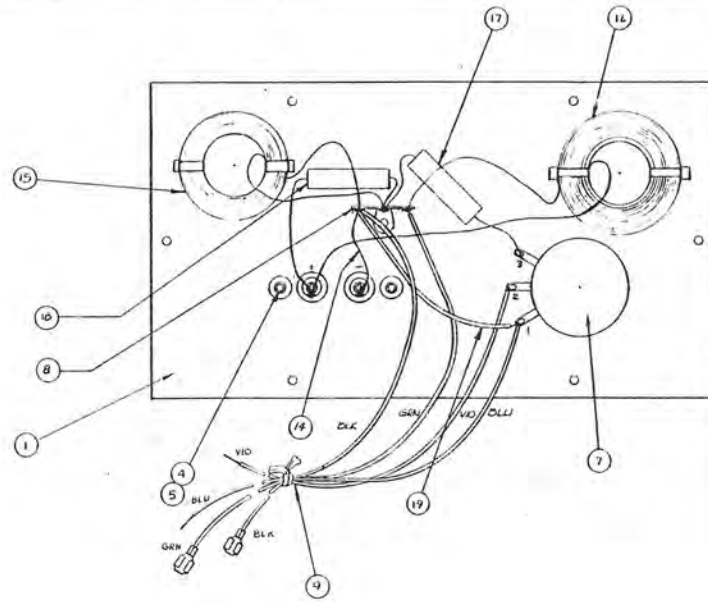
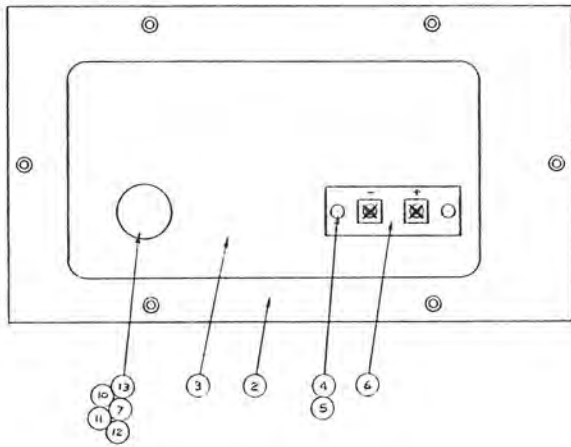
TRAMANO 11-2-75  
 CROSSOVER, ANT-1A MONITOR  
 FULL  
 ANT-1A MONITOR  
 1-3 693-1101 B



14	2	484-0004	TERMINAL, SOLDERLESS, UMINIUM
10	1	417-0002	GASKET, .062" X 1/4"
17	2	35-0007	WASHER, FLAT, CD PL. 7/16" X 3/64"
16	1	702-1040	WIRE HARNESS
13	1	715-0004	BREAKER DUCHING
14	1	895-0002	C-BREAKER 1.5B 2.5H
13	1	484-0019	TERMINAL STRIP, 1 POS
12	1	350-0008	ROT, 0.1 (R1)
11	1	354-1028	COIL 46 MA, 2 OMS TIED (L1)
10	1	354-1024	COIL 33 MA, 2 GRN TIED (L2)
9	2	346-0033	CAP ELEC 100UF 25VDC (C1, C2)
8	1	484-0019	TERMINAL PUSH-ON
7	1	443-1013	KNOB, ALUM ENURLED
6	2	240-0011	NUT, HEX DRESS
5	2	221-0007	RIVET, 1/8" X 3/16" BLK
4	2	305-0001	WASHER, FLAT, 1/8" X 3/16"
3	2	218-0017	WASHER, INFL 1/8" X 3/16"
2	1	424-010	NAMEPLATE - AMT-100
1	1	1328-1328	CROSSOVER BOARD 5" X 9"

TAMANO 2-1-78

CROSSOVER  
 ASSEMBLY  
 FULL  
 AMT-100  
 1 2 892/103 C



INACTIVE FOR FUTURE DESIGN  
 BCO 6-263  
 RUTHIE O'NEIL

REVISIONS

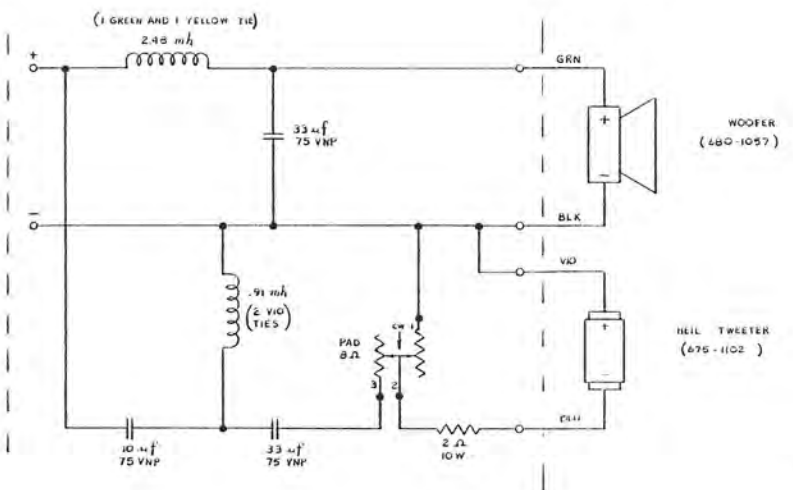
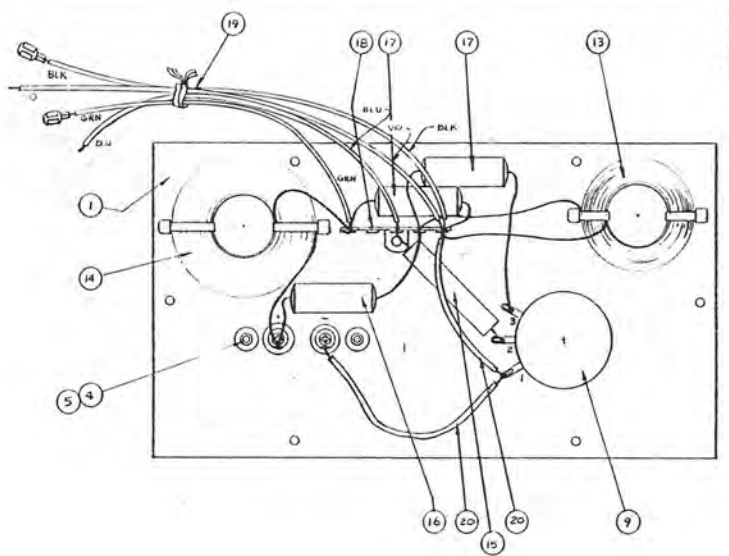
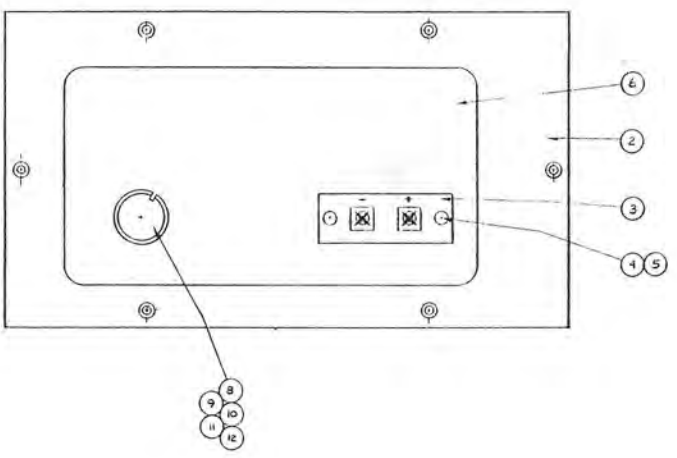
REV	DESCRIPTION	CHKD	DATE	DRWN	APPRD
A	4.4 OHM (24400) WAS 2.40 OHM (254-200)		12-5-76		
B	RIVET WAS 221-0007 1/8" X 3/16"		6-27-76	DRM	
C	ADDED ITEM 16 TO LIST OF MATERIAL. ITEM 16 WAS 2 ORANGE TIES. ITEM 16 WAS 2 RED TIES. ITEM 17 WAS, P/N 334-0031 CAPACITOR, 10.4 μF 75VNP. REVISED DRAWING SHOWS IT TO COMPLY TO EXISTING DRAWING. ITEM 11 QUANTITY WAS 2				MT
D	HEIL 475-1033 (NEW) D 221-0012 (BLACK) (NEW)				

19	1	795-0016	WIRE STRANDED, BLUE, # 8 IN. LG., 30 AWG
18	1	316-0043	CAPACITOR, 10.4 μF, 75VNP
17	1	316-0054	CAPACITOR, 82 μF, 50VNP
16	1	334-1038	COIL, .97 mH, (RED & NUT TIES)
15	1	334-1028	COIL, .48 mH, (GRN & NUT TIES)
14	1	762-0002	WIRE, BUSS 1/16" LG 20AWG
13	1	445-1013	KNOB, CL. WOOD 37000 SER. COAL.
12	1	215-0033	WASHER, FLAT, 1/8" DIA. 1/16" THK, CAD. PLATED
11	1	240-0011	1/8" BRASS, HEX. DRESS NUT
10	1	215-0035	WASHER, INTERNAL LOCK, 1/8" DIA. 1/16" THK
9	1	702-1040	WIRE HARNESS, BLU/VIO/GRN/BLK
8	1	480-0008	TERMINAL STRIP, 3 POS.
7	1	550-0006	POT, 8 Ω, L-PAD
6	1	184-0035	TERMINAL, PUSH-ON, 2 POS.
5	2	215-0031	WASHER, FLAT, 1/8" DIA. 1/16" THK
4	2	221-0015	RIVET, 1/8" DIA. 1/16" LG, BLACK
3	1	216-2424	NAME PLATE, AMT-JOB (NEW)
2	1	417-1042	CROSSOVER GASKET
1	1	010-1408	CROSSOVER BOARD

RDC 11-23-76  
 M. D. ...  
 M. D. ...  
 CROSSOVER ASSEMBLY  
 AMT-10B (NEW)  
 695-2103

REVISIONS

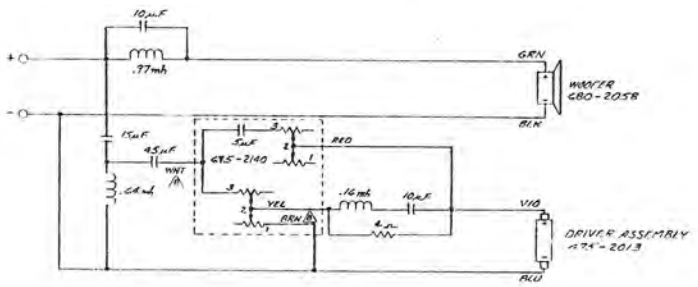
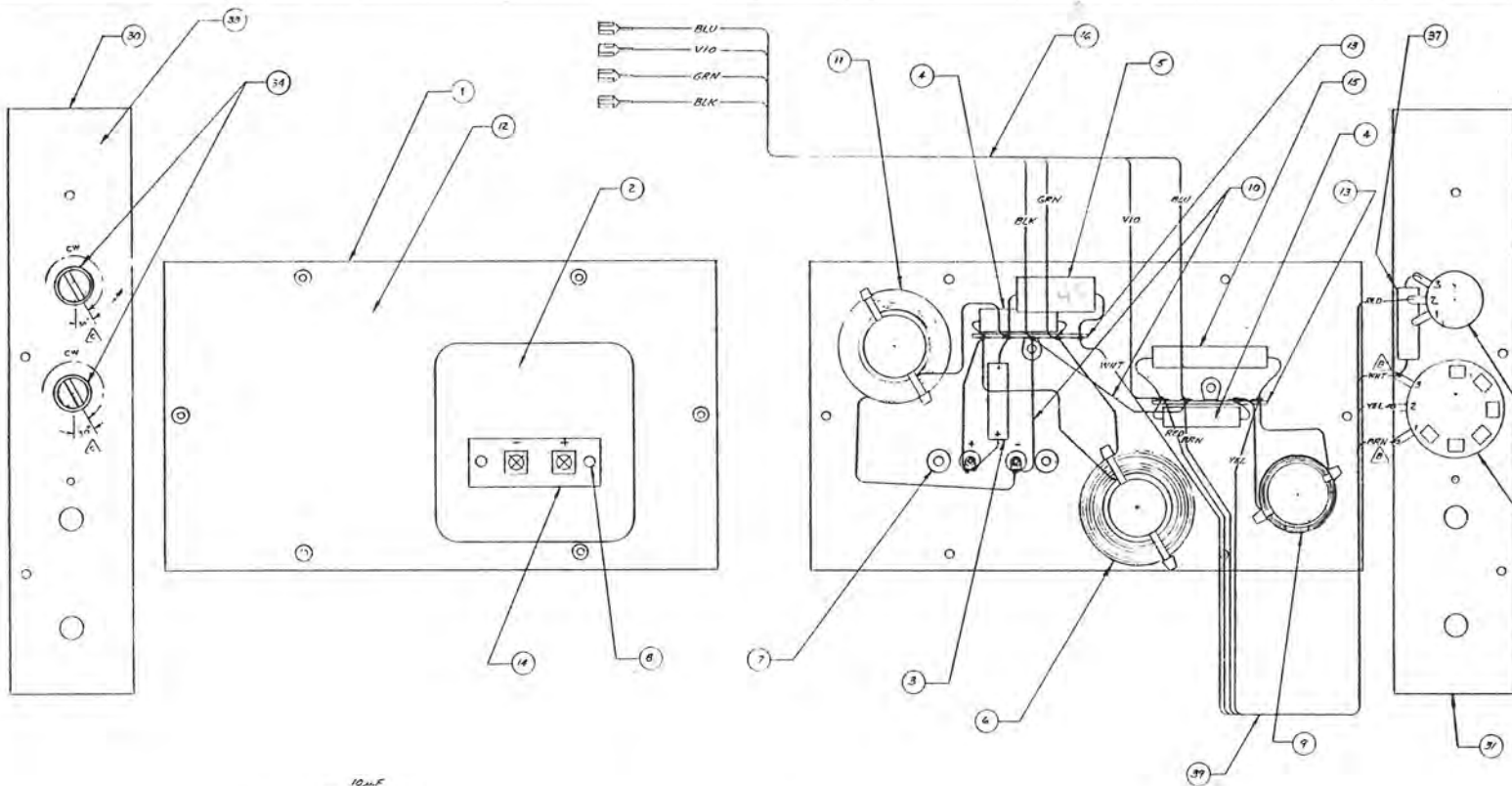
REV. NO.	DESCRIPTION	DATE	BY	APP'D.
A	REPLACEMENT WIRE & BLUE WIRE	1-27-76	RDC	
D	REPLACEMENT WIRE & BLUE WIRE	1-27-76	RDC	
C	CHANGE ARRANGEMENT OF PARTS ON LAYOUT	2-24-76	RDC	
E	REVISIONS TO 281-1907 3/8 x 2 1/2	6-3-76	RDC	



INACTIVE FOR FUTURE DESIGN  
ECO 2-22-76 RUTHERFORD

REV. NO.	DESCRIPTION	DATE	BY	APP'D.
20	2	785-0018	WIRE (TIE) 22AWG, BLUE, 24" LG.	
19	1	702-1040	WIRING HARNESS	
18	1	480-0004	TERMINAL STRIP, 8 POS.	
17	2	314-0001	CAPACITOR, 33 uF, 75VNP	
16	1	314-0043	CAPACITOR, 10 uF, 75VNP	
15	1	610-0001	RESISTOR, 2 uF, 10W	
14	1	334-1037	COIL, 2.48 mH, (1 GREEN; 1 YELLOW TIE)	
13	1	334-1029	COIL, .91 mH, (2 VIO TIES)	
12	1	215-0035	WASHER, METAL LOCK, .375 ID x .4871	
11	1	215-0033	WASHER, FLAT, 3/16 ID x 3/16 OD, CAD. PLATED	
10	1	240-0001	3/32 UNF x 1/2 HEX. DRESS NUT	
9	1	550-0008	POT, 0 uF, L-PAD	
8	1	443-1013	KNOB, ALUM, SM. KNOBBED, CLEAR ANO	
7				
6	1	274-2418	NAME PLATE, AMT-10 BS	
5	2	215-0031	WASHER, FLAT, .375 OD x .125 ID	
4	2	221-0015	RIVET 1/8 DIA x 3/16 LG.	
3	1	484-0005	PUSH TERMINAL, 2 POSITION	
2	1	417-1042	GASKET, CROSSOVER	
1	1	010-1908	CROSSOVER BOARD	2

REV. NO.	DESCRIPTION	DATE	BY	APP'D.
RDC	11-18-76		RDC	
AMT	12-22-76		AMT	
AMW	1-5-77		AMW	
CROSSOVER ASSEMBLY				
AMT-10 BOOKSHELF				
1-2 495-2102				



CHECKED	REVISION NO.	BY	DATE	REVISIONS	
				DESCRIPTION	APPROVAL
	7-410	A	11-27-77	FROM 318-0002 TO 318-0044; FROM 318-0001 TO 318-0013	
	7-411	B	12-28-77	INTERCHANGED WHT & BRN WIRES ON POTENTIOMETER SCHEMATIC	
	7-414	C	11-18-78	FROM 18-0000 FROM WIRE TO 38" TO RIGHT FROM NATURAL (BRN), FROM 10" UP FROM WIRE TO 38" TO RIGHT FROM BOTTOM VERTICAL (WHT)	M.T.
	8-008	D	1-17-78	DELETE (2) 216-0008 WASHER, PLAT, CD PL 10-10-10-20 2161240-0011 WHT, WPS, 18993 1-18-78	
	8-250	E	1-18-78	(6) WHT 216-0005 (6) PL 1/16" TO 231-0025 (1/8" DIA 7/16")	H.C.
	8-251	F	8-23-78	LIM (8) WPS 550 0008 POTENTIOMETER, 8 J.L. L. PAD; L/M, ADD (2) NOTES: WPS-30THRU 37 IS: 27 THRU 37	M.T.

39	1	702-1105	WIRE HARNESS; BRN, YEL, RED, WHT
38	1	346-0037	CAP. ELECT. 5µF, 75V NIP
36	2	216-0005	WASHER, 1/8" I.D. X 1/16" O.D. N-T-L
35	1	443-0001	KNOB, 1/8" DIA. X 1/2" W. .075 SLOT
33	1	M7-1112	GASKET, FRONT CONTROL W/L 70
32	1	550-1020	POT, 8 OHM W/W CTS 18993-TE
31	1	010-2078	BOARD, CONTROL, FRONT
30	1	695-2140	ASSEMBLY, FRONT
29	1	550-0008	POT, 8 OHM, L-PAD

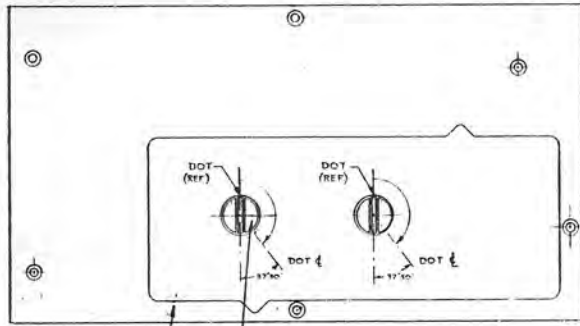
16	1	702-1040	WIRE HARNESS, BLU, WHT, GRN, BLK
15	1	610-0002	RESISTOR, 4Ω, 10W
14	1	484-0005	TERMINAL, PUSH, 2 POSITION
13	2	480-0004	TERMINAL STRIP, 5 POSITION
12	1	417-1101	GASKET, CROSSOVER
11	1	834-1020	COIL, .64mH, 2 NATURAL TIES
10	1	715-0018	WIRE, STRANDED, 20AWG, BRN, 5 IN.
7	1	394-2003	CON., .16mH, GRAY & NATURAL TIES
8	2	221-0015	RIVET, 3/8 X 1/8 BLACK
6	1	334-1038	COIL, .97mH, RED & WHT. TIES
5	1	346-0033	CAP. ELECT. 45µF, 50V NIP
4	2	316-0044	CAP. ELECT. 10µF, 50V NIP, 622A
3	1	316-0018	CAP. ELECT. 15µF, 75V NIP 622B
2	1	276-0008	NAMEPLATE
1	1	001-1400	CROSSOVER BOARD

MITLS  
 1. FRONT CONTROL ASSEMBLY CONSISTS OF ITEMS 27 THRU 39.

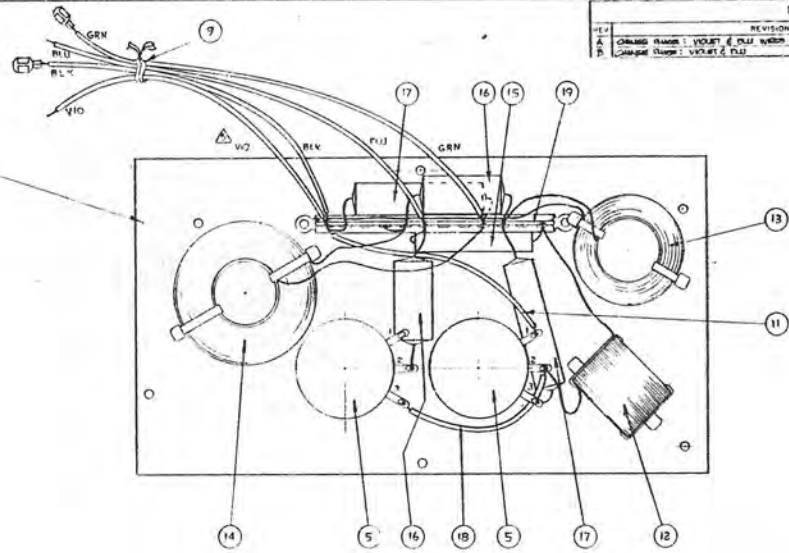
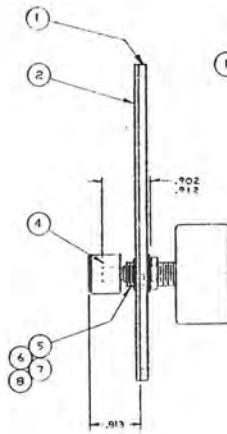
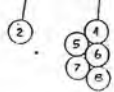
DIMENSIONAL TOLERANCES UNLESS OTHERWISE NOTED			TITLE		MATERIAL	
FRACTION	DECIMAL	ANGLES	AMT	BOOK SHELF (1778)	ESS INC	WEIGHT
± .005	± .005	± .005	DATE 11-28-77	DATE 11-28-77	SACRAMENTO, CALIFORNIA	
SCALE FULL	NEED	APPROVED	DATE 11-28-77	DATE 11-28-77		
NEXT	APPY					

1978

DATE	BY	REVISION	DESCRIPTION	DATE	APPROVED
12-8-78	MT		FROM INBLACK TIE TO IT 38BY TIE		

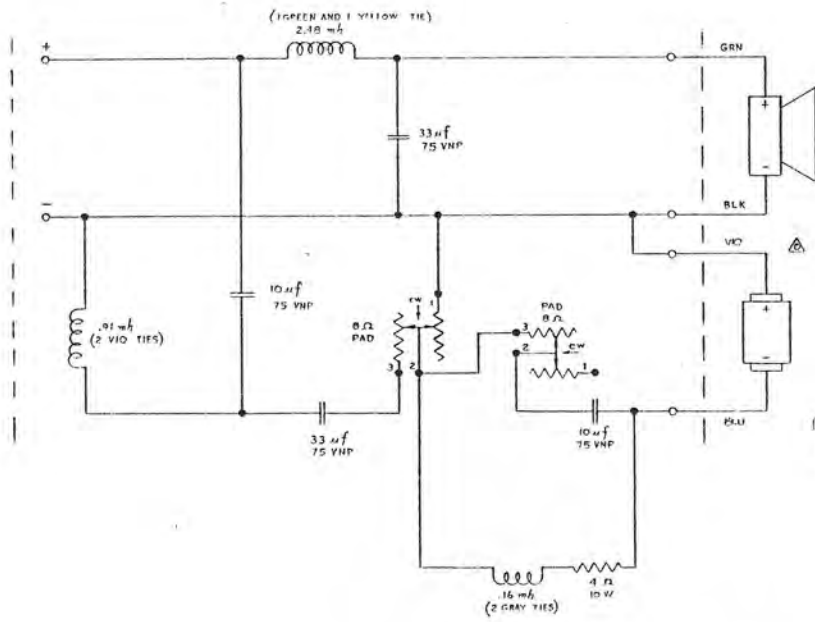


- NOTES:
1. TURN STEM CW ON POT TO STOP
  2. PRESS KNOB ON STEM WITH DOT LOCATED AT 37°50'



REVISIONS			
REV	REVISION	DATE	BY
A	CHANGE GAUGE: VIOLET & BLU WIRE APPROXIMATELY	11-28-78	AM
B	CHANGE GAUGE: VIOLET & BLU	11-28-78	AM

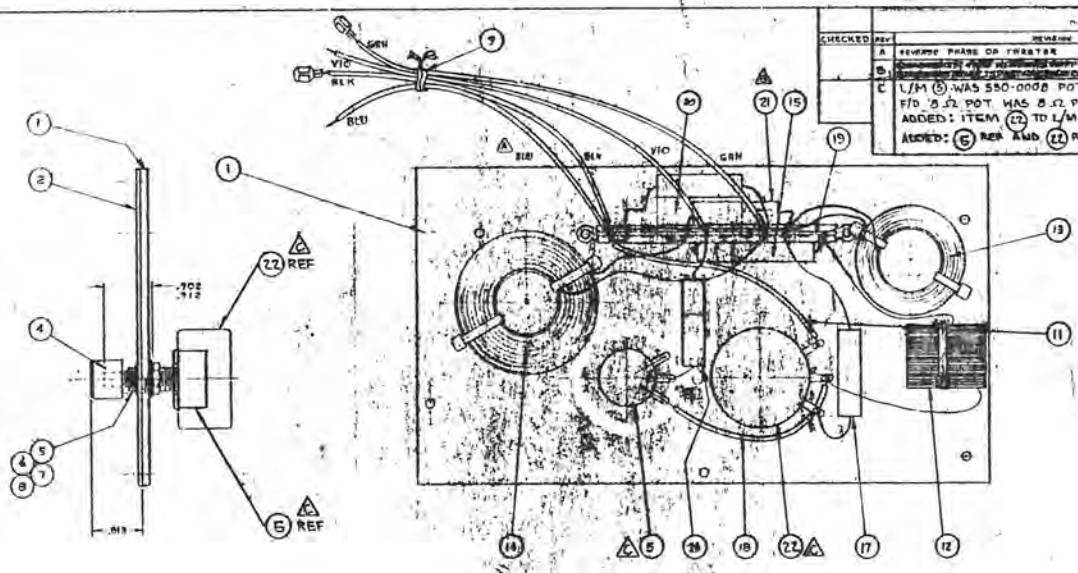
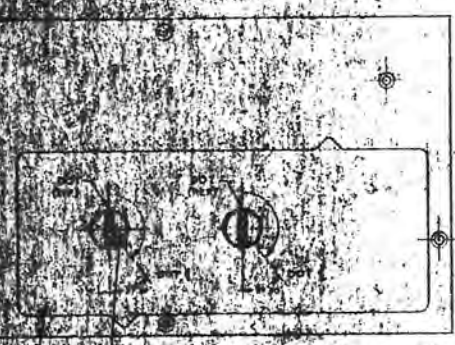
HISTORY  
C.J. Am  
11-28-78



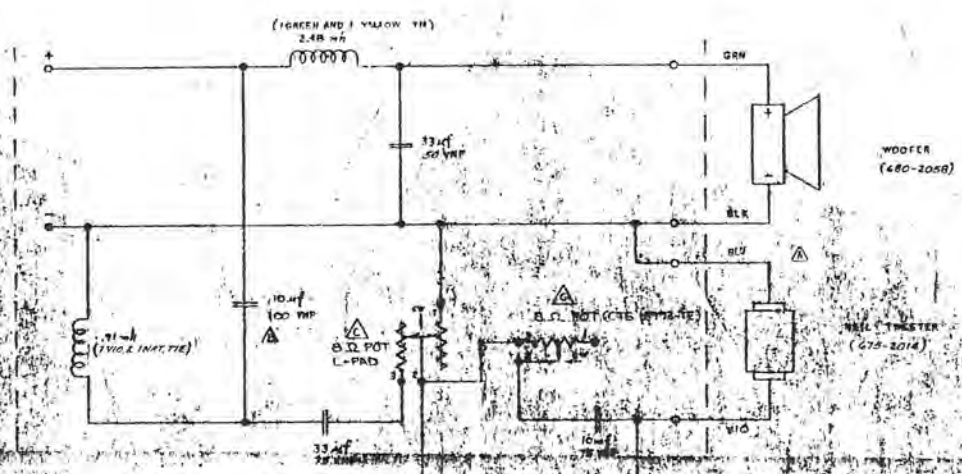
INACTIVE FOR FUTURE DESIGN  
C.J. Am

REV	ITEM	DESCRIPTION	DATE	BY
19	1	480-0002 TERMINAL STRIP, 12 POS		
18	1	785-0005 WIRE, STED, ED AMB, 20 GA, 4 FT		
17	2	316-0001 CAPACITOR, 33 uF, 75 VWP		
16	2	316-0043 CAPACITOR, 10 uF, 75 VWP		
15	1	610-0002 RESISTOR, 4.2 OHM		
14	1	334-0037 COIL, 2.10 mH, (10 GREEN) YELLOW		
13	1	334-0079 COIL, .91 mH, (2 VIO TIES)		
12	1	328-0032 COIL, 16 mH, (2 GRAY TIES)		
11	1	776-0015 WIRE, STED, ED AMB, 20 GA, 4 FT		
10	2			
9	1	708-7140 WIRE, STED, ED AMB, 20 GA, 4 FT		
8	2	617-0038 WAX, INTERNAL LOCK		
7	2	715-0033 WAX, PLAT, 20 GA, 4 FT		
6	2	240-0011 WAX, STED, ED AMB, 20 GA, 4 FT		
5	8	530-0008 POT, 3.0 OHM, 1.0 PAD		
4	2	848-2081 KNOB, PILLAR, MOUNT		
3	1			
2	1	617-1043 GAS HEAD COVER		
1	1	010-2804 CROSSOVER, 600 W		

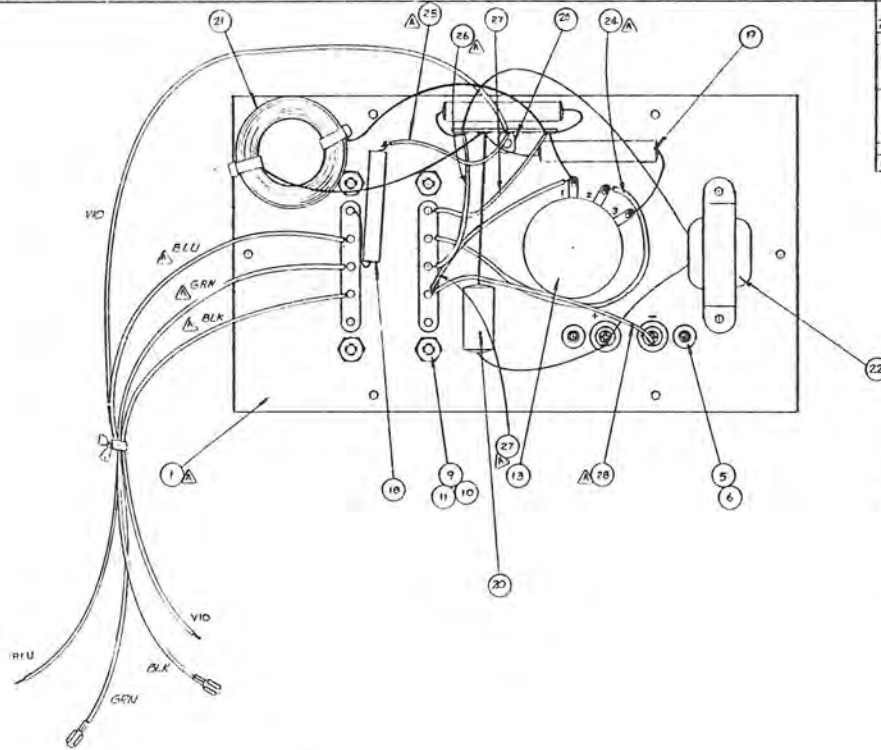
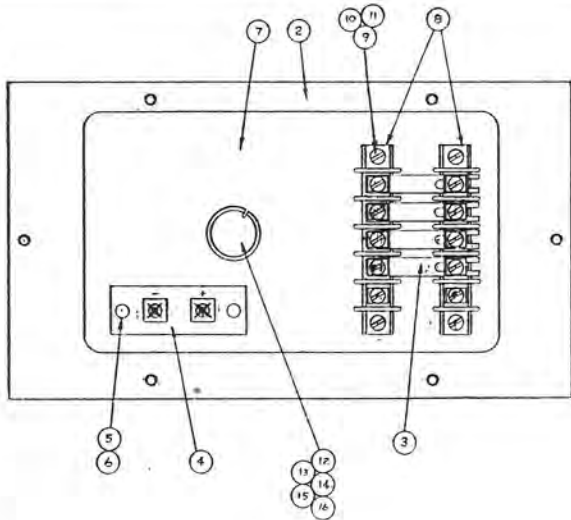
CHECKED BY	REVISION	DATE	BY
A	REVERSE PHASE OF FREQUENCY	11-20-77	EDJ
B	REVERSE PHASE OF FREQUENCY	11-20-77	EDJ
C	L/M WAS 550-0008 POT, 8 Ω, L-PAD F/D WAS 8 Ω POT, 8 Ω, L-PAD ADDED: ITEM 22 TO L/M AND F/D ADDED: 5 REF AND 22 REF TO F/D	11-20-77	EDJ



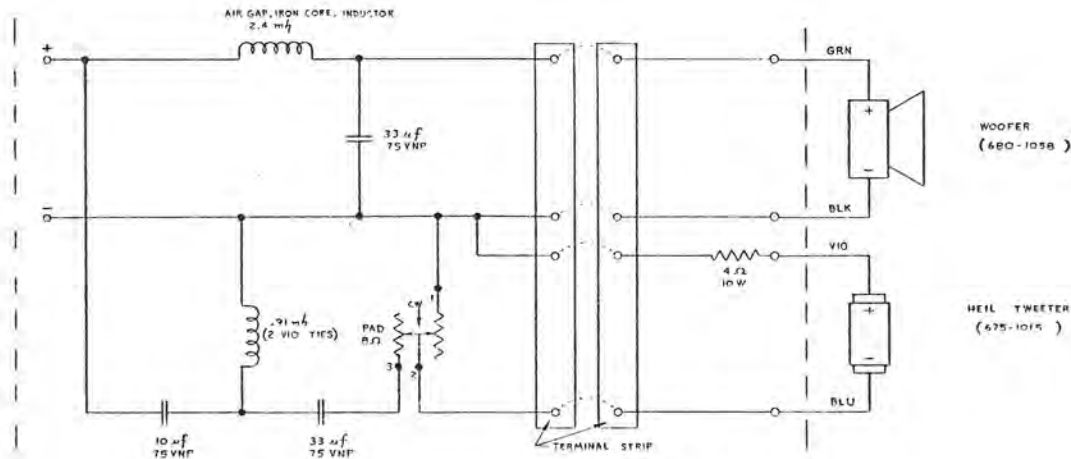
18 1978



2.2	1	550-0008	POT, 8 Ω, L-PAD
2.3	11	34-0004	CAPACITOR, 33 μF, 50V WWP
2.0	1	34-0008	CAPACITOR, 10 μF, 100V WWP
19	1	480-0001	TERMINAL STRIP, 12 POS
18	1	788-0001	WIRE, STRIP, BOARD
17	1	34-0001	CAPACITOR, 83 μF, 75V WWP
16	1	318-0001	CAPACITOR, 10 μF, 70V WWP
15	1	610-0007	RESISTOR, 16 Ω, 1/2 W
14	1	334-0077	COIL, 2.4R, 1/2 W
13	1	334-0077	COIL, 2.4R, 1/2 W
12	1	188-1075	COIL, 16 Ω, 1/2 W
11	1	870-0001	WIRE, STRIP, BOARD
10	1		
9	1	788-0001	WIRE, STRIP, BOARD
8	1	318-0001	CAPACITOR, 10 μF, 70V WWP
7	1	318-0001	CAPACITOR, 10 μF, 70V WWP
6	1	318-0001	CAPACITOR, 10 μF, 70V WWP
5	1	550-1020	POT, 8 Ω, L-PAD



REVISIONS				
REV	REVISION	DATE	BY	APPROVED
A	FROM 240-002, 1972, W/REV TO 240-003, 1972, 1973			
	FROM 240-002, TO 240-003, 1972, 1973			
	FROM 240-003, TO 240-003, 1972, 1973			
	ADDED: WIRE, WITH FEET			
	REVISED POLARITY OF WIRES TO BE IN ACCORDANCE WITH			
	WIRE:			
	1 - BLUE WIRE			
	2 - GRN WIRE			
	3 - VIO WIRE			
	4 - BLK WIRE			
	5 - BLK WIRE			
	ADDED SLOTS TO CROSMORE BOARD, DRAWING NO. 240-003			
B	REVISED W/REV 240-10007 1/2 x 2/28			

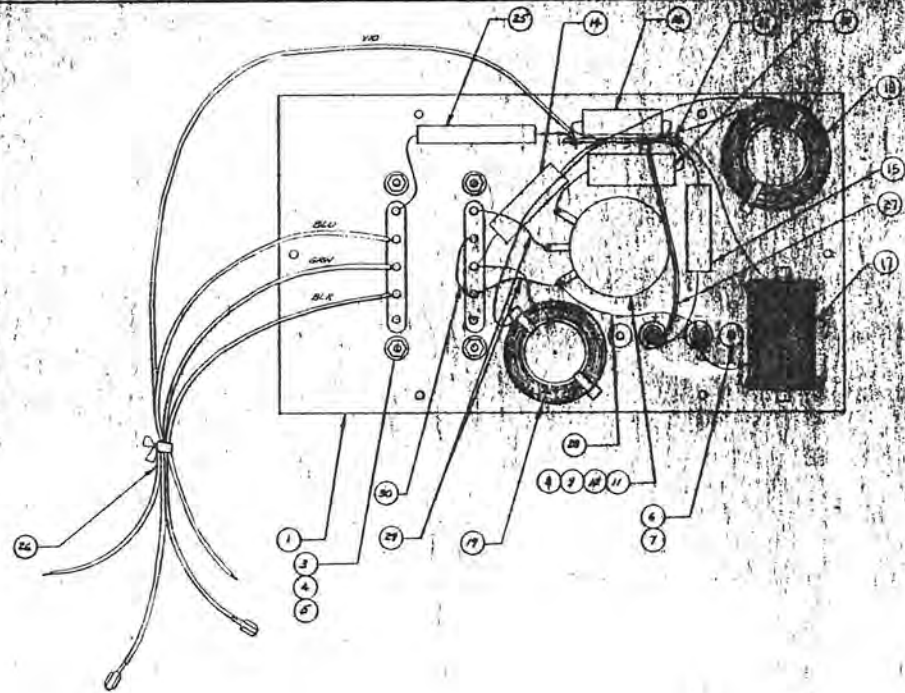
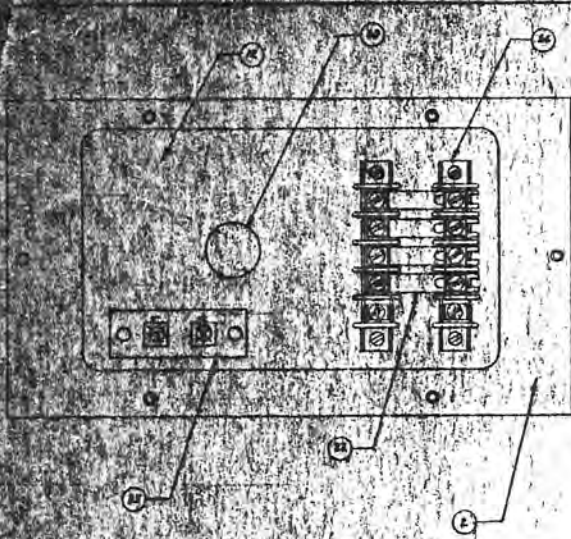


INACTIVE FOR FUTURE DESIGN  
ECO 2-226, REV 2, 1/15/76

28	1	795-0019	WIRE, STRANDED, 20 AWG, 1' REC
27	2	795-0023	WIRE, STRANDED, 20 AWG, 1' BLK
26	1	795-0022	WIRE, STRANDED, 20 AWG, 1' GRN
25	1	795-0022	WIRE, STRANDED, 20 AWG, 1' VIO
24	3	795-0008	WIRE, STRANDED, 20 AWG, 1' BLK
25	1	420-0000	INDUCTOR, AIR GAP, IRON CORE, 2.4 mH
22	1	134-1034	INDUCTOR, AIR GAP, IRON CORE, 2.4 mH
21	1	834-1028	INDUCTOR, AIR GAP, IRON CORE, 2.4 mH
20	1	34-0043	CAPACITOR, 33 uF, 75 VMP
19	2	38-0001	CAPACITOR, 33 uF, 75 VMP
18	1	610-0009	RESISTOR, 4.2, 10 W
17	1	702-1040	WIRE, STRANDED, 20 AWG, 1' GRN
14	1	215-1025	WASHER, IRON, 1/4" DIA, 1/8" THK
15	1	215-0020	WASHER, PLAT, 1/4" DIA, 1/8" THK
14	1	240-0011	WASHER, PLAT, 1/4" DIA, 1/8" THK
13	1	305-0028	WASHER, PLAT, 1/4" DIA, 1/8" THK
12	1	143-0025	WASHER, PLAT, 1/4" DIA, 1/8" THK
11	4	240-0003	WIRE, STRANDED, 20 AWG, 1' BLK
10	4	815-0015	WIRE, STRANDED, 20 AWG, 1' GRN
9	4	301-0028	WIRE, STRANDED, 20 AWG, 1' VIO
8	2	484-1004	TERMINAL, 1/2" DIA, 1/8" THK
7	1	176-1044	WASHER, PLAT, 1/4" DIA, 1/8" THK
2	1	215-0021	WASHER, PLAT, 1/4" DIA, 1/8" THK
5	2	240-0011	WIRE, STRANDED, 20 AWG, 1' BLK
4	1	464-0000	PUSH TERMINAL, 1/2" DIA, 1/8" THK
3	4	464-0000	BAR, CONNECTOR

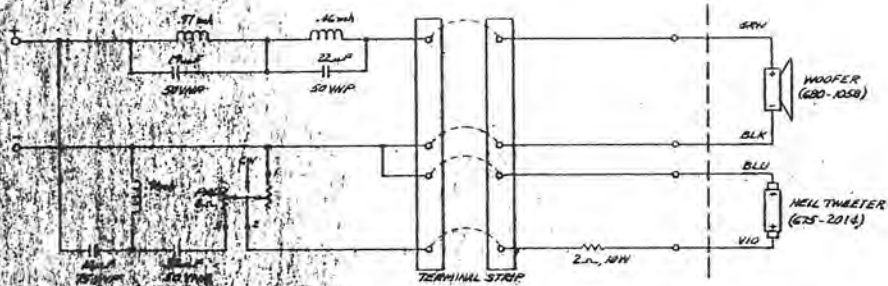
REV	DATE	BY	APPROVED
1	11-15-76	EN	
2	11-15-76	EN	
3	11-15-76	EN	
4	11-15-76	EN	
5	11-15-76	EN	
6	11-15-76	EN	
7	11-15-76	EN	
8	11-15-76	EN	
9	11-15-76	EN	
10	11-15-76	EN	
11	11-15-76	EN	
12	11-15-76	EN	
13	11-15-76	EN	
14	11-15-76	EN	
15	11-15-76	EN	
16	11-15-76	EN	
17	11-15-76	EN	
18	11-15-76	EN	
19	11-15-76	EN	
20	11-15-76	EN	
21	11-15-76	EN	
22	11-15-76	EN	
23	11-15-76	EN	
24	11-15-76	EN	
25	11-15-76	EN	
26	11-15-76	EN	
27	11-15-76	EN	
28	11-15-76	EN	



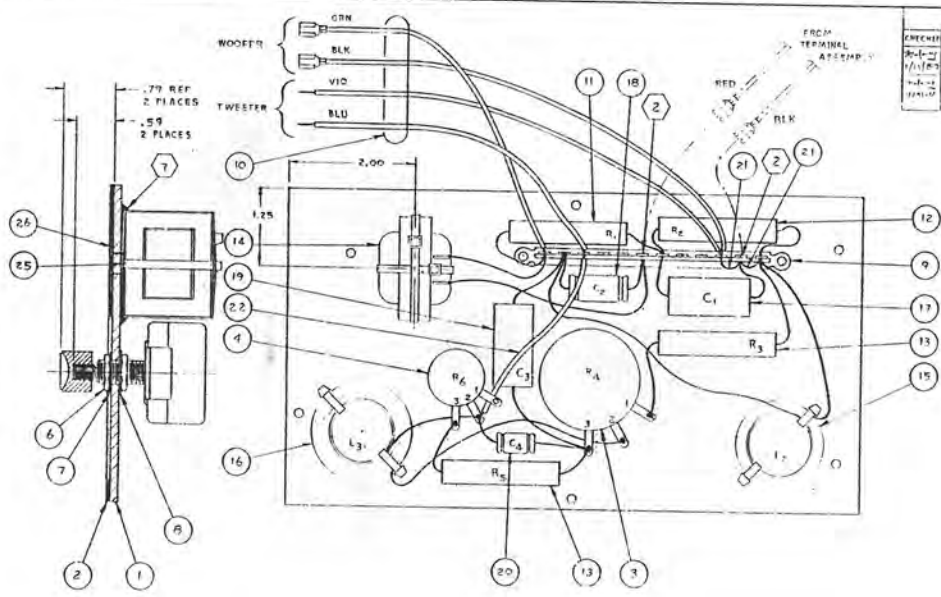
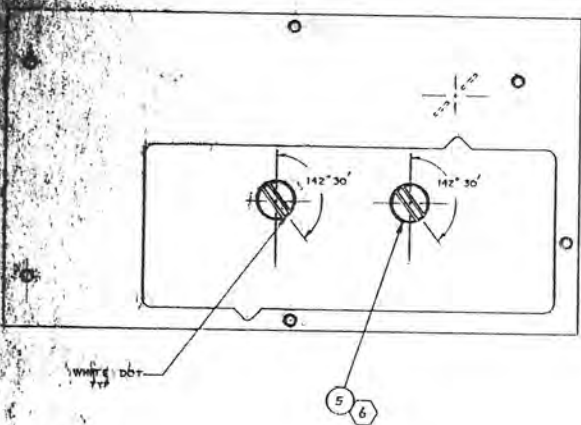


NO.	QTY.	DESCRIPTION
1	1	750-0000
2	1	750-0000
3	1	750-0000
4	1	750-0000
5	1	750-0000
6	1	750-0000
7	1	750-0000
8	1	750-0000
9	1	750-0000
10	1	750-0000
11	1	750-0000
12	1	750-0000
13	1	750-0000
14	1	750-0000
15	1	750-0000
16	1	750-0000
17	1	750-0000
18	1	750-0000
19	1	750-0000
20	1	750-0000
21	1	750-0000
22	1	750-0000
23	1	750-0000
24	1	750-0000

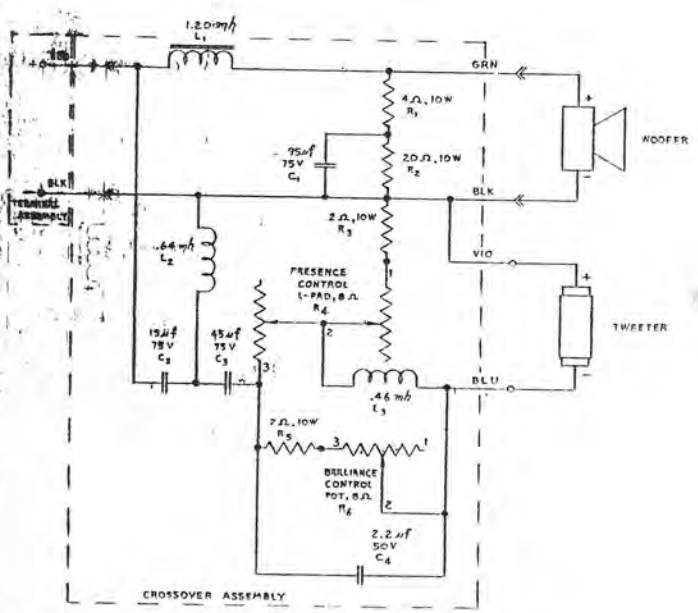
NO.	QTY.	DESCRIPTION
1	1	750-0000
2	1	750-0000
3	1	750-0000
4	1	750-0000
5	1	750-0000
6	1	750-0000
7	1	750-0000
8	1	750-0000
9	1	750-0000
10	1	750-0000
11	1	750-0000
12	1	750-0000
13	1	750-0000
14	1	750-0000
15	1	750-0000
16	1	750-0000
17	1	750-0000
18	1	750-0000
19	1	750-0000
20	1	750-0000
21	1	750-0000
22	1	750-0000
23	1	750-0000
24	1	750-0000



Amt Mon 1978



REVISIONS					
REV	DESCRIPTION	ECO #	DRAWN	DATE	BY
1-11-80	A 111/RA (D) WAS. 316-0036, RTI M.D. ON 2-11-80. R1, C1 WAS. 51/4"	007	RN	1-11-80	JH
1-25-80	B IN 1/2" (D) WAS THE GRN. COIL L. 1.2 MH. L. 2. ON 2-11-80. L. 1.2 MH. NAT. AND GRN. TIES. R. 4 OHM. 10 WATT. ON 2-11-80. R. 4 OHM. 10 WATT. ON 2-11-80. R. 4 OHM. 10 WATT. ON 2-11-80.	001	RN	1-25-80	JH



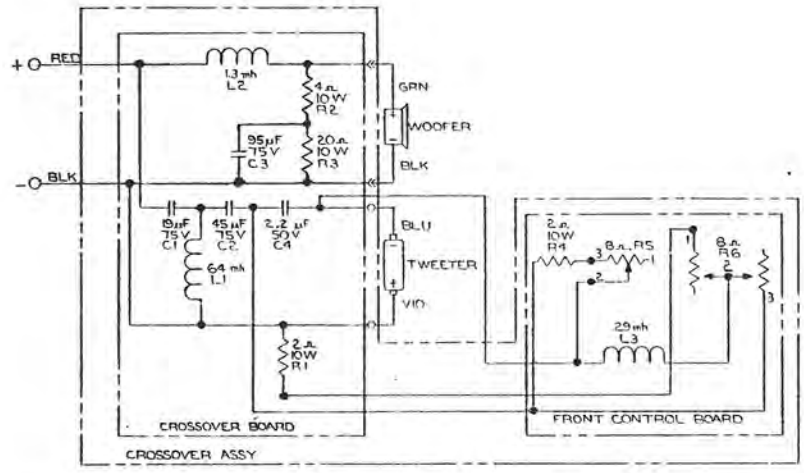
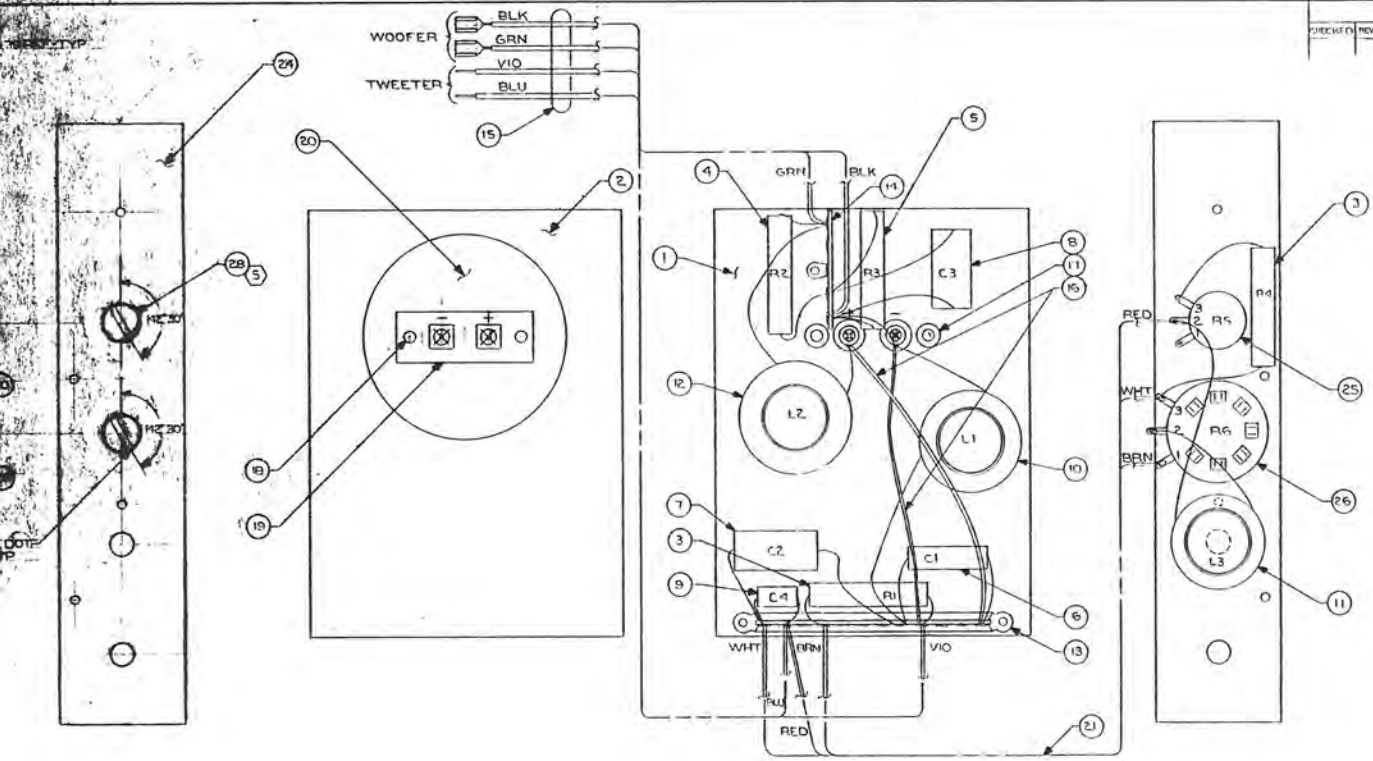
**NOTE:**

- USING (20). SOLDER ALL CONNECTIONS THAT DO NOT REQUIRE TERMINAL LUGS.
- ON INDICATED LUG, SOLDER WIRES TO LUG BOTTOM, LEAVING THE LUG TOP FREE FOR ATTACHMENT OF SOLDERLESS CONNECTOR.
- USING (23). BOND (9), AND (11) THRU (20) TO (1).
- ALL CAPACITANCE VALUES ARE IN MICROFARADS ±10%. WITH A P.P. OF 10% AT 1000 HZ UNLESS OTHERWISE SPECIFIED.
- ALL INDUCTANCE VALUES ARE IN MILLIHERTZS ±5%.
- ROTATE SHAFT OF (2) AND (4) TO MAXIMUM, COUNTERCLOCKWISE POSITION PRIOR TO INSTALLING (5) WITH SLOT AND WHITE DOT IN ORIENTATION SHOWN.
- ATTACH TWO CROSSED (23)S TO (1) USING (20). FASTEN THE TWO (23)S AROUND (14) AND STOP (14) FROM ROTATING AROUND (20) BY APPLYING (23) ON (1) AND AROUND EDGE OF (14).

ITEM	QTY	PART NO.	DESCRIPTION
26	1	225-0016	STAPLE, .500 x .312, BRASCOTE
25	2	440-1032	TIE, GRAY, 5.50 LG.
24	AR	910-0029	SOLDER, MULTICORE NO. 22
23	AR	151-0041	ADHESIVE, NOYMELT,
22	1	795-0013	WIRE, 58T, 20 AWG, BLK, 4.00 LG.
21	AR	762-0002	WIRE, BUSS, 20 AWG, (2 EA. 1.50 LG.)
20	1	316-0048	CAPACITOR, 2 MFD, 50V, HP. C4
19	1	316-0035	CAPACITOR, 45 MFD, 75V, HP. C3
18	1	316-0013	CAPACITOR, 15 MFD, 75V, HP. C2
17	1	316-1113	CAPACITOR, 75 MFD, 75V, HP. C1
16	1	334-1028	COIL, .46 MH, NAT. AND GRN. TIES L2
15	1	334-1020	COIL, .64 MH, 2 WATUBAL TIES L3
14	1	334-1134	COIL, 1.2 MH, IRON CORE L1
13	2	610-0001	RESISTOR, 2 OHM, 10 WATT. R1, R2
12	1	610-0013	RESISTOR, 20 OHM, 10 WATT. R4
11	1	410-0002	RESISTOR, 4 OHM, 10 WATT. R5
10	1	702-1040	WIRE HARNESS, BLK, GRN, BLU, VIO
9	1	480-0002	TERMINAL STRIP, 12 POSITION
8	2	215-0035	WASHER, INTERNAL LOG, 1.875 DIA. (2 EA.)
7	2	215-0033	WASHER, FLAT, .375 DIA. (2 EA.)
6	2	240-0011	SMY, HEX, DRESS, .375-32
5	2	443-2001	KNOB
4	1	350-1020	POT, 8 OHM, WIREWOUND, CTS
3	1	350-0008	CONTROL, L-PAD, 8 OHM
2	1	417-1043	GASKET, CROSSOVER
1	1	010-2504	BOARD, CROSSOVER

DESIGNED BY R. D. Gaudin	DATE 12-21-79	
DRAWN BY J. L. ...	DATE 1/16/80	
MANUFACTURED BY EDS INC.	DATE 1/16/80	MODEL AMF-IC (1780)
PROPERTY INFORMATION NO PARTS TO BE REWORKED UNLESS OTHERWISE SPECIFIED	DECIMAL XXX = .000	FRAC XXX = 0/10
PROPRIETARY INFORMATION NO PARTS TO BE REWORKED UNLESS OTHERWISE SPECIFIED	ANGULAR 1 = 1/2	DIAMETER D = 1.00

REVISIONS				
REV	DESCRIPTION	ECO #	DATE	BY



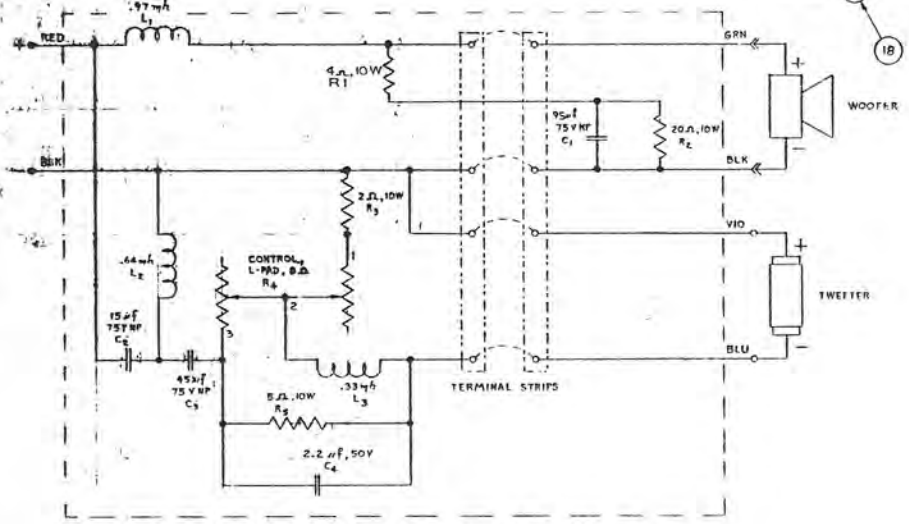
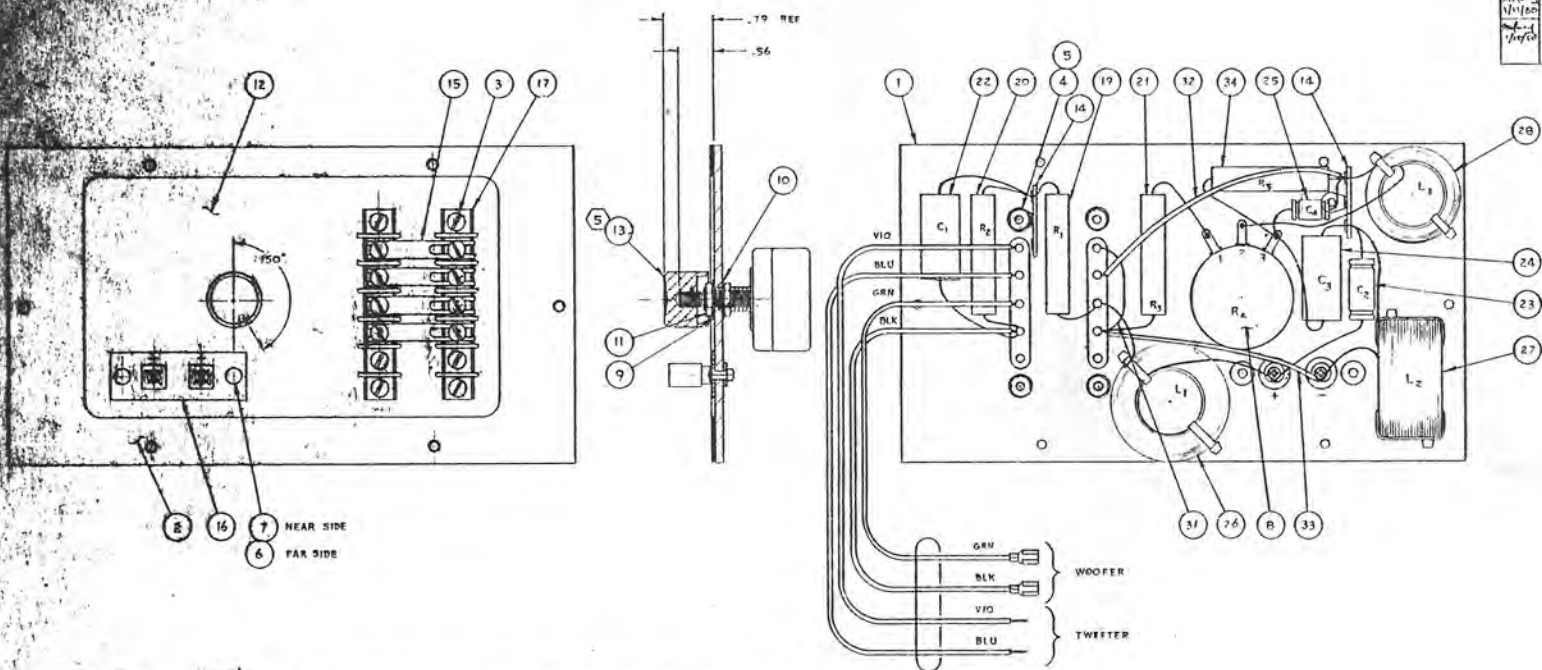
- NOTE:
- USING (2) SOLDER ALL CONNECTIONS THAT DO NOT REQUIRE TERMINAL LUGS.
  - USING (15) BOND (3) THRU (4) TO (1) OR (2) AS APPLICABLE.
  - ALL CAPACITANCE VALUES ARE IN MICROFARADS ± 10% WITH A D.F. OF 10% AT 1000 HZ UNLESS OTHERWISE SPECIFIED.
  - ALL INDUCTANCE VALUES ARE IN MILLIHENRYS ± 5%.
  - ROTATE SHAFT OF (25) AND (26) TO MAXIMUM CLOCKWISE POSITION PRIOR TO INSTALLING (25) WITH SLOT AND WHITE DOT IN ORIENTATION SHOWN.

33	AR	151-0041	ADHESIVE, HOTMELT
32	AR	910-0029	SOLDER, MULTICORE NO.22
31	2	215-0035	WASHER, INTERNAL LOCK, 315 ID X.625 OD
30	2	215-0033	WASHER, FLAT, 315 ID X.625 OD, CAD
29	2	240-0011	NUT, HEX, DRESS, 315-37 LINE X.800 HEX
28	2	143-2001	KNOB
27			
26	1	550-0006	CONTROL, L-PAD, B OHM, R <sub>2</sub>
25	1	550-1020	POT, B OHM, WIRE WOUND, R <sub>1</sub>
24	1	117-1112	GASKET, CONTROL BOARD
23	1	010-2599	CONTROL BOARD, FRONT
22			
21	1	702-1151	WIRE HARNESS, BRN, RED, WHT
20	1	216-1951	NAMEPLATE
19	1	484-0005	TERMINAL, PUSH, 2 POSITION
18	2	221-0025	SHVET, POR, 125 DIA X 315 OD
17	2	215-0031	WASHER, FLAT, 125 ID X.625 OD
16	2	195-0019	WIRE, SBT, 20 AWG, BLK, 6000UG
15	1	702-1040	WIRE HARNESS, BLK, GRN, BLU, WHT
14	1	180-0006	TERMINAL STRIP, 5 POSITION
13	1	180-0002	TERMINAL STRIP, 12 POSITION
12	1	334-1132	COIL, 13 mH, 2 RED TIES
11	1	334-1034	COIL, 2.8 mH, 2 GRAY TIES
10	1	334-1020	COIL, 64 mH, 2 NAT TIES
9	1	316-0015	CAPACITOR, 2.2 MFD, 50V, NIP, C <sub>4</sub>
8	1	316-1113	CAPACITOR, 95 MFD, 75V, NIP, C <sub>3</sub>
7	1	316-0035	CAPACITOR, 45 MFD, 75V, NIP, C <sub>2</sub>
6	1	316-0033	CAPACITOR, 19 MFD, 25V, NIP, C <sub>1</sub>
5	1	610-0013	RESISTOR, 20Ω, 10W, R <sub>1</sub>
4	1	610-0002	RESISTOR, 4Ω, 10W, R <sub>2</sub>
3	2	610-0001	RESISTOR, 2Ω, 10W, R <sub>3</sub> , R <sub>4</sub>
2	1	117-1201	CROSSOVER GASKET
1	1	010-2814	CROSSOVER BOARD

695-1356 PART NO DESCRIPTION SFXR ASSY	MODEL AMT BOOKSHELF (1980)	
DIMENSIONAL TOLERANCES UNLESS OTHERWISE SPECIFIED DECIMAL .005 - .010 FRACTIONS 1/16 - 1/8 HOLE SIZE ± .010 FRACTIONS > 1/32	TITLE <b>CROSSOVER ASSEMBLY</b>	DATE 12-15-80 DRAWN BY JCL CHECKED BY JCL

REVISIONS

CHECKED BY	REV	DESCRIPTION	ECO #	DRWN	DATE	APPROVED BY
W. J. ...	A	IN L/M (2) WAS: 316-0036, 51 MFD. ON SCHEMATIC, C1 WAS 51 μF	0011	R.N.	1-11-60	W.J.
W. J. ...	B	ON F/D INDICATED R1, LEAD FROM LW TO RH TERMINAL STRIP (1) IN L/M ITEM (3) HAS DTY 2, 4, 16. IN L/M AMPD ITEM (1), R2, OR SCHEMATIC AND F/D R2 HAS (2) RESISTOR, 2 Ω, 10 W. IN Q/W 2 ADDED "AUTO (2)"	0038	R.N.	1-28-60	W.J.



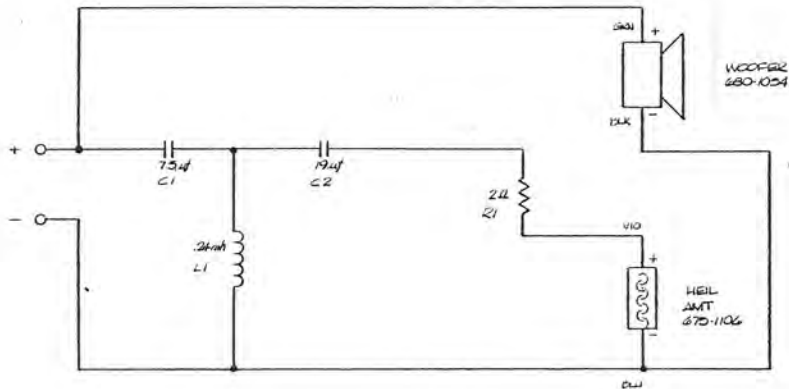
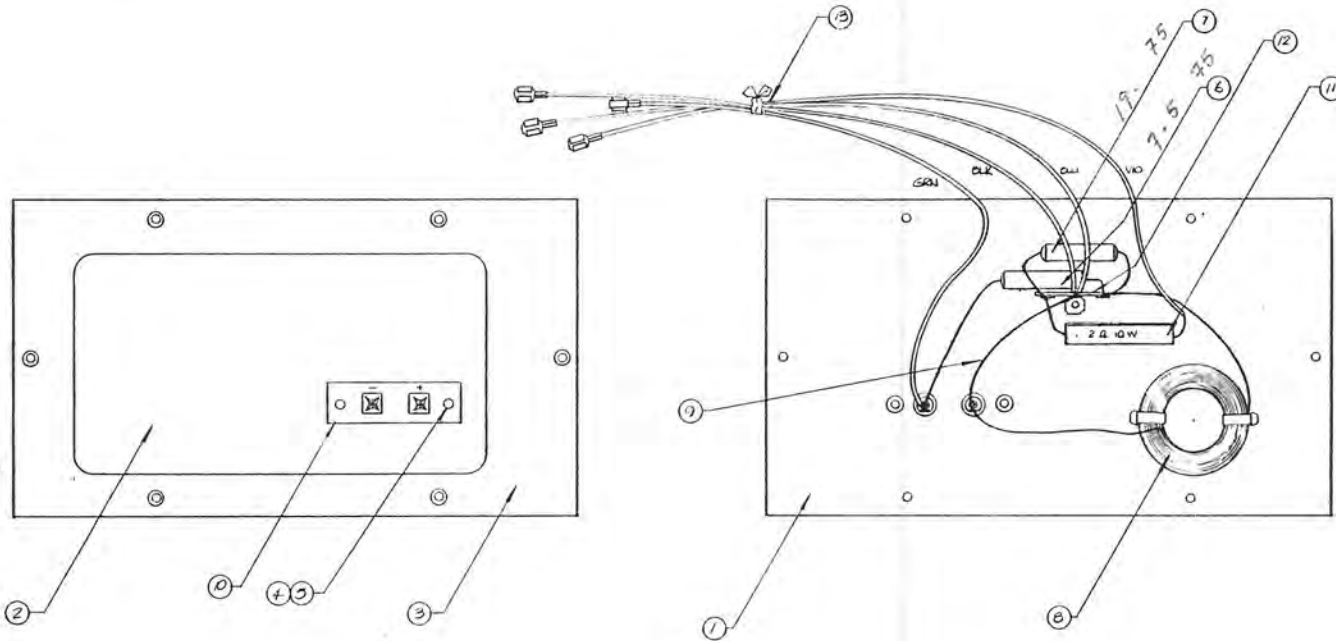
- NOTE:
1. USING (25), SOLDER ALL CONNECTIONS THAT DO NOT REQUIRE TERMINAL LUGS.
  2. USING (30), BOND ONE OF (11) AND (12) THRU (20) AND (24) TO (7).
  3. ALL CAPACITANCE VALUES ARE IN MICROFARADS ±10% WITH A D.E. OF 10% AT 1000 HZ UNLESS OTHERWISE SPECIFIED.
  4. ALL INDUCTANCE VALUES ARE IN MILLIHERTZ ±5%.
  5. ROTATE SHAFT OF (1) TO MAXIMUM CLOCKWISE POSITION PRIOR TO INSTALLING (1) WITH SLOT IN ORIENTATION SHOWN.

ITEM	QTY	PART NO.	DESCRIPTION	MATERIAL
34	1	610-1008	RESISTOR, 5 Ω, 10W	R <sub>2</sub>
33	1	795-0013	WIRE, SBT, 20AWG, BLK, 4.00 LG	
32	1	795-1117	WIRE, SBT, 20AWG, VIO, 3.00 LG	
31	AR	162-0002	BUSS WIRE, 30 AWG (2.00 LG)	
30	AR	151-0041	ADHESIVE, HOT MELT	
29	AR	910-0029	SOLDER, MULTICORE NO. 22	
28	1	314-1024	COIL, 30MH, 2 SW/TURN	L <sub>1</sub>
27	1	794-1020	COIL, .64MH, 2 W/T TURN	L <sub>2</sub>
26	1	324-1038	COIL, .97MH, RED AND W/T TERN	L <sub>3</sub>
25	1	316-0045	CAPACITOR, 45MFD, 75V, 2.5	C <sub>2</sub>
24	1	316-0035	CAPACITOR, 15 MFD, 75V, 1.5	C <sub>1</sub>
23	1	316-1113	CAPACITOR, 75 MFD, 25V, 2.5	C <sub>3</sub>
22	1	610-1007	RESISTOR, 2 Ω, 10W, 5%	R <sub>3</sub>
21	1	610-10013	RESISTOR, 20 Ω, 10W, 5%	R <sub>1</sub>
20	1	610-10002	RESISTOR, 20 Ω, 10W, 5%	R <sub>2</sub>
19	1	702-1040	WIRE HARNESS, GRN, VIO, BLU, W/T	
18	1	484-0018	TERMINAL STRIP, 5 POSITION, SCR	
17	2	484-0018	TERMINAL STRIP, 5 POSITION, SCR	
16	1	484-0005	TERMINAL, PUSH, 2 POSITION	
15	4	480-11002	BAR, CONNECTOR	
14	2	480-10006	TERMINAL STRIP, 2 POSITION	
13	1	443-1013	KNOB, ALUMINUM, JET-ROULED	
12	1	276-1160	NAMEPLATE	
11	1	240-0011	NUT, HEX, DRESS, .875-32	
10	1	215-0035	WASHER, WTL, .875 IDH, .687 OD, 1.00 TH	
9	1	215-0033	WASHER, FLAT, .875 IDH, .887 OD, .00 TH	
8	1	550-0008	CONTROL, L-PAD, 8 Ω	
7	2	621-0025	RIVET, POP, .125 DIA, .975 LG, BRCC	
6	2	215-0031	WASHER, FLAT, .875 IDH, .687 OD	
5	4	240-10003	NUT, HEX, 6-32	
4	6	215-0019	WASHER, FLAT, NO. 4, BLACK	
3	4	203-0010	SCREEN, 6-32 x .75, PAK NO. 107, 1.00 LG	
2	1	417-1049	CROSSOVER GASKET	
1	1	610-1602	CROSSOVER BOARD	

**ESL, INC.**  
 18-17-78  
 1/8/60  
 TITLE: CROSSOVER ASSEMBLY  
 MODEL: AMT. MONITOR (4600)  
 PART NO: 919-1357  
 DESCRIPTION: SPEAKER ASSEMBLY  
 DIMENSIONAL TOLERANCES: UNLESS OTHERWISE SPECIFIED  
 DECIMAL: .005 ± .002  
 FRACTIONS: 1/32  
 FINISH: D 67551228 B

REVISIONS

REV.	REV. BY	DATE	DRWN.	APPV.
A	WIND CHANGES ON VOLT & CURR WIRE ON PENCIL & PENCIL	12/15/54	WJT	WJT
B	REMOVE (2) 75F-0021	1/29/55	WJT	WJT
C	DELETE (2) 75F-0021 3' BLUE WIRE; ADD (1) 1' BUSS WIRE 762-0002; CHANGE LAYOUT	1/29/55	WJT	WJT
D	REMOVE 2 75F-0021 (20-0002) AND 2 800-1004 (20-0002)	2/24/55	WJT	WJT
E	PLATE WITH 281-007 1/2 x 2 1/2	2/24/55	WJT	WJT



**DISCONTINUED**

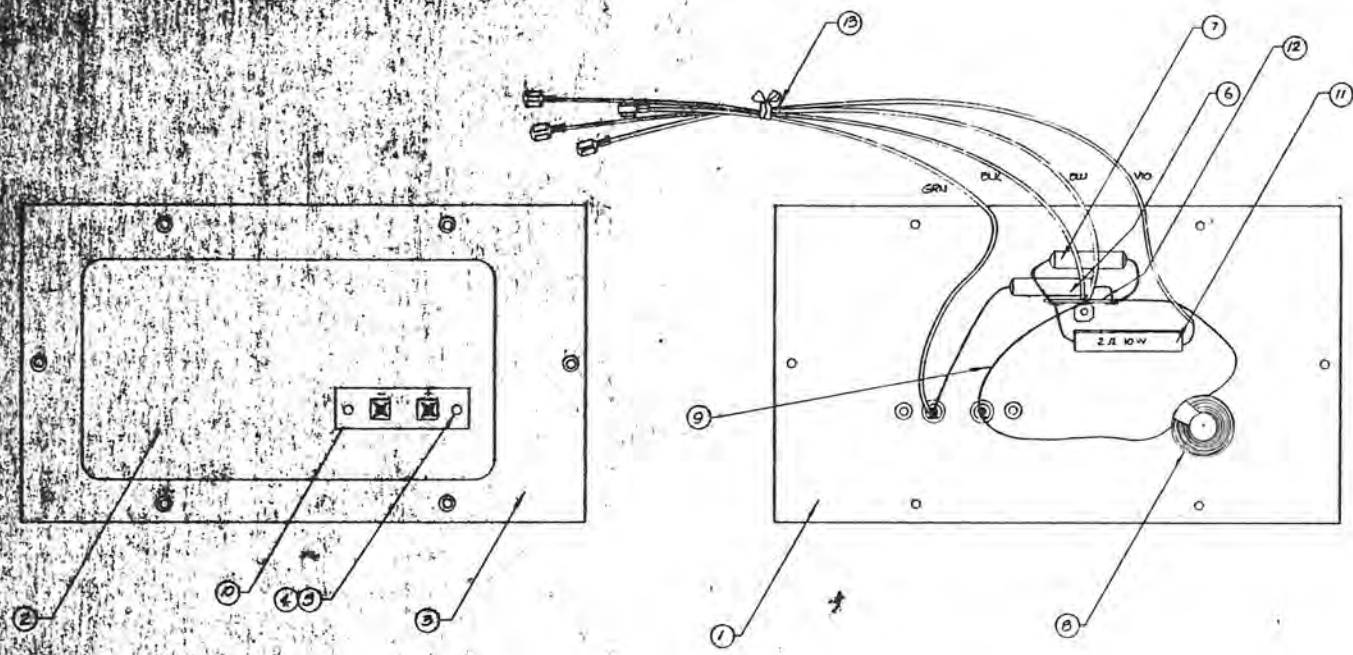
INACTIVE FOR FUTURE DESIGN  
 0-266  
 RUTHERFORD  
 N.J.

13	1	702-104	WIRE HARNESS, BULB/INDICATOR
12	1	400-0000	TERMINAL STRIP, 5 POS
11	1	640-0001	RESISTOR 2.0 10 W (R1)
10	1	406-0000	TERMINAL, FLEX; 2 POS
9	1	762-0002	1/2 LG. BUSS WIRE...
8	1	804-091	COIL 24mH 2 50V TURNS
7	1	540-0000	CAP ELEC 19µF 75VVAR
6	1	546-0001	CAP ELEC 7.5µF 75VVAR
5	2	221-0015	RIVET 5/16 DIA
4	2	20-0020	WASHER, FLAT BLOCK 5/16
3	1	47-1000	CROSSOVER BOARD
2	1	276-0001	UNIVERSAL POWER RES

ITEM	QTY	PART NO	DESCRIPTION/MATERIAL
1	1	00-100	CROSSOVER BOARD

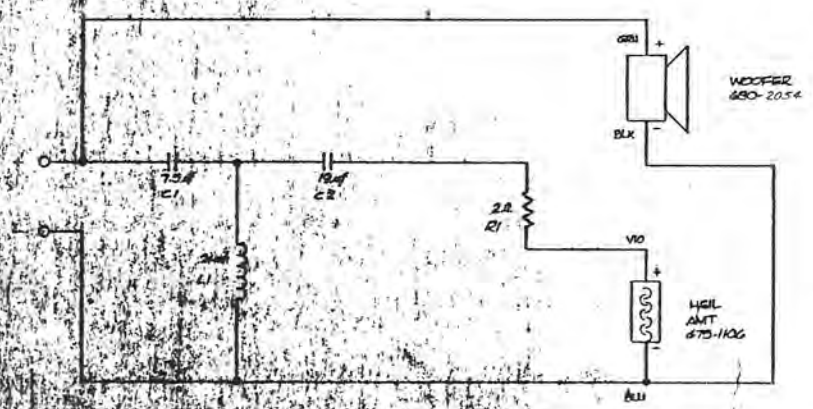
PREPARED BY: **WJT**  
 CHECKED BY: **M.T.**  
 DATE: **12-15-54**  
 DRAWING NO: **12-A-2**  
 TITLE: **CROSSOVER BOARD**  
 DESIGNED BY: **WJT**  
 DATE: **12-15-54**  
 DRAWING NO: **12-A-2**  
 TITLE: **CROSSOVER BOARD**  
 APPROVED BY: **WJT**  
 DATE: **12-15-54**  
 DRAWING NO: **12-A-2**  
 TITLE: **CROSSOVER BOARD**

REVISED		REVISIONS		DATE	BY
1	6/2/68	1	REVISIONS	12-16-77	CR
2	6/2/68	2	REVISIONS	12-16-77	CR
3	6/2/68	3	REVISIONS	12-16-77	CR
4	6/2/68	4	REVISIONS	12-16-77	CR
5	6/2/68	5	REVISIONS	12-16-77	CR
6	6/2/68	6	REVISIONS	12-16-77	CR
7	6/2/68	7	REVISIONS	12-16-77	CR
8	6/2/68	8	REVISIONS	12-16-77	CR
9	6/2/68	9	REVISIONS	12-16-77	CR
10	6/2/68	10	REVISIONS	12-16-77	CR
11	6/2/68	11	REVISIONS	12-16-77	CR
12	6/2/68	12	REVISIONS	12-16-77	CR
13	6/2/68	13	REVISIONS	12-16-77	CR
14	6/2/68	14	REVISIONS	12-16-77	CR
15	6/2/68	15	REVISIONS	12-16-77	CR



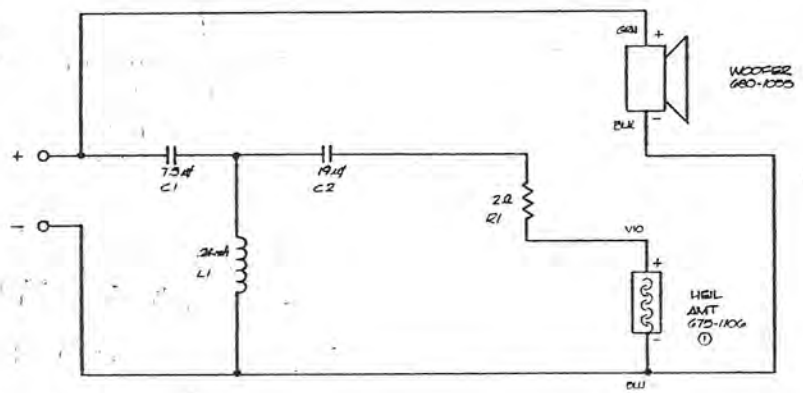
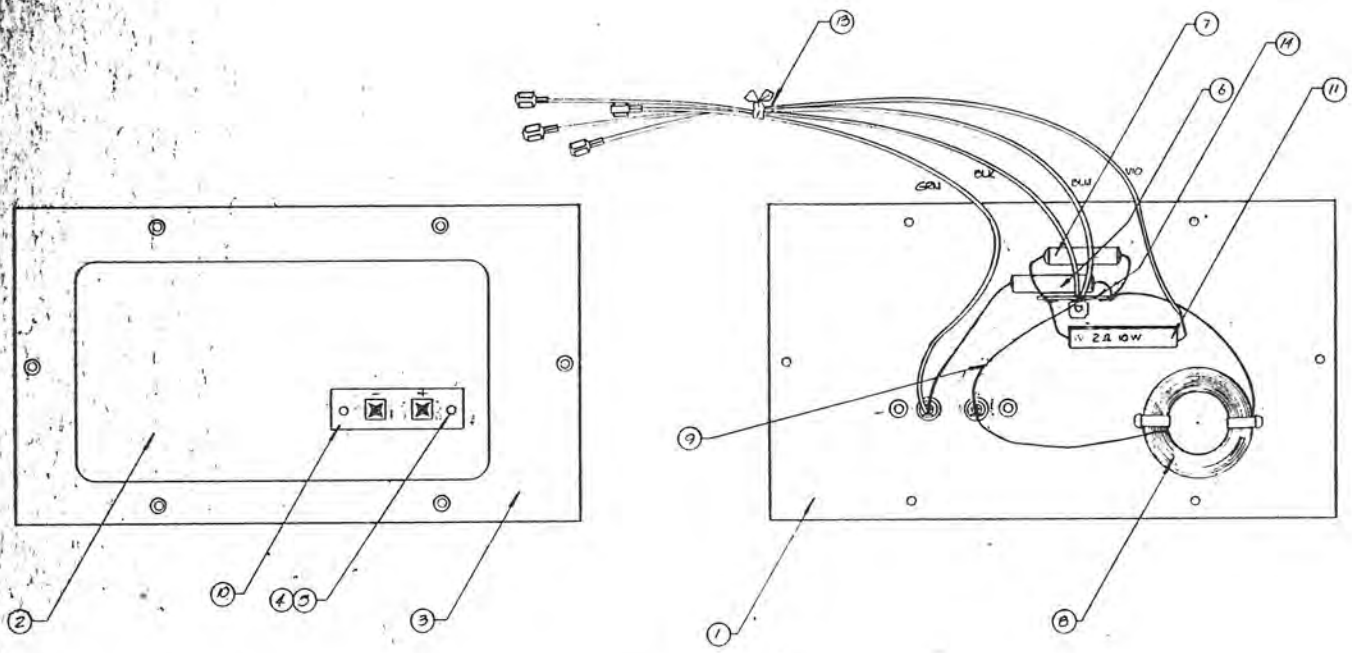
- △ NOTES
1. FASTEN (6) (7) (8) (11) & (12) TO (1) USING (10).
  2. USING (15), SOLDER ALL CONNECTIONS THAT DO NOT REQUIRE TERMINAL LUGS OR DO NOT SLIDE TOGETHER.

INACTIVE FOR FUTURE DESIGN  
ECO 9-175, 6/26/79, M. MALONEY



QTY	DESCRIPTION	REF	VALUE	UNIT
15	AR 310-0029	SOLDER, MULTICORE		
14	AR 151-0041	GLUE, HOT MELT, EPOXY		
13	1	702-104	WIRE HANGERS, BLK	
12	1	400-0020	TERMINAL STRIP, 3 PIN	
11	1	610-0021	RESISTOR 2.2 10 W	
10	1	404-0020	TERMINAL, PUSH, 2 PIN	
9	1	762-0002	16 GA. BUSS WIRE	
8	1	204-0021	COIL, 2A 10 W	
7	1	504-0021	CAP ELEC 75 OHM 50V	
6	1	504-0020	CAP ELEC 7.5 OHM 50V	
5	2	621-0015	SWITCH 1/2 IN. DIA.	
4	2	210-0024	WASHER, SWT, 1/8 IN.	
3	1	417-0025	CROSSOVER, 2-WAY	
2	1	270-0011	WASHER, STRIP, 1/8 IN.	
1	1	204-0020	CROSSOVER, 2-WAY	

REV	DESCRIPTION	DATE	BY	CHKD
A	REVISION CHANGE: VOLT 2 BLUE WIRE 2 CONDUCT 2 FORMAL	11-10-71	M.T.	D.S.
B	DELETE: 110-0007, 10 Ω, 10 WATT, RESISTOR	11-10-71	RRC	D.S.
C	DELETE: 101-0001 3' BLUE WIRE 2 AND 1) 762-0002	11-10-71	RRC	D.S.
D	1 LG. BUSS WIRE	11-10-71	RRC	D.S.
E	DELETE: 1100-0001, 0002, 0003 AND 3 100-0004 (100-0005)	11-10-71	RRC	D.S.
F	REVISION: 100-0001, 0002, 0003 AND 3 100-0004 (100-0005)	11-10-71	RRC	D.S.



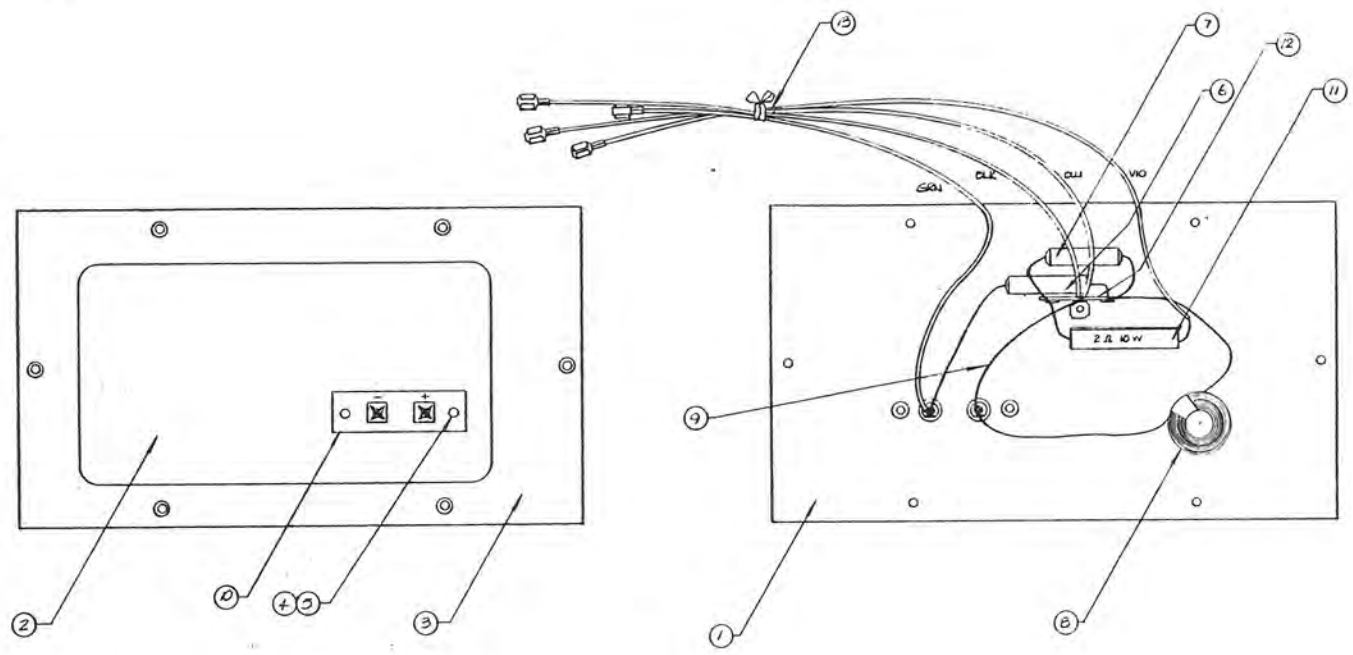
QTY	DESCRIPTION	MATERIAL
10		
14	100-0000	TERMINAL STRIP, 3 POS
13	102-0000	WIRE HARNESS, BLINDMATE
12		
11	140-0000	RESISTOR 2 Ω 10 W (R1)
10	104-0000	TERMINAL, PUNCH, 2 POS
9	162-0000	1/2 LG. BUSS WIRE
8	204-0001	COIL, 3000 2 DEN TIES (L1)
7	204-0000	CAP ELEC 10 μF 75VDC (C1)
6	204-0000	CAP ELEC 10 μF 75VDC (C2)
5	22-0000	WASHER, 1/8 x 3/16 BLK
4	22-0000	WASHER, 1/8 x 3/16 BLK
3	117-1000	CROSSOVER GASKET
2	22-0000	MINI-LATE X-OVER PCB
1	204-0000	CROSSOVER BOARD

INACTIVE FOR FUTURE DESIGN  
800 A-204 BUTTERBREAD

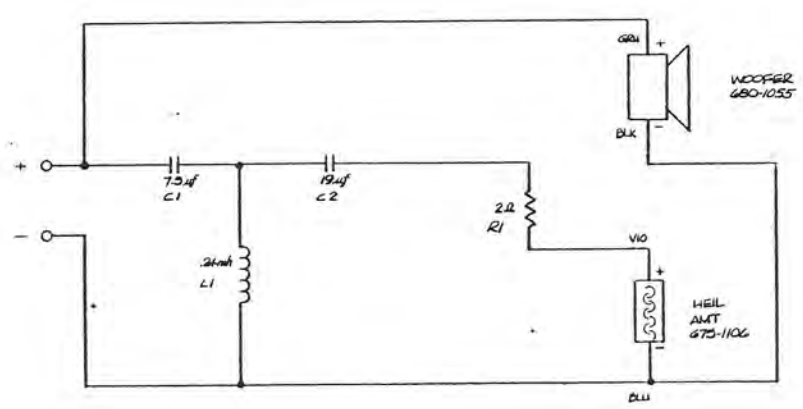
REV	DATE	DESCRIPTION
1	12-14-71	DESIGN
2	12-21-71	REVISED
3	12-28-71	REVISED

CROSSOVER ASSEMBLY

REVISIONS					
REV	REVISION	DATE	CHANG	APPROV	CO
1	INITIAL DESIGN	11-30-77	RFG		
2	REVISED W/ 2.2 OHM RESISTOR	12-16-77	RFG		



- △ NOTES:
- FASTEN (6), (7), (8), (11), AND (12) TO (1) USING (14).
  - USING (15), SOLDER ALL CONNECTIONS THAT DO NOT REQUIRE TERMINAL LUGS OR DO NOT SLIDE TOGETHER.



INACTIVE FOR FUTURE DESIGN  
ECO 7-115, 2/2/79, M. MALONEY

ITEM	QTY	PART NO.	DESCRIPTION/MATERIAL
15	AR	910-0029	SOLDER, MULTICORE #22
14	AR	151-0041	GLUE, HOT MELT, FULLER
13	1	202-1044	WIRE HARNESS, BLY/NOB/DLK
12	1	400-0000	TERMINAL STRIP, 3 POS.
11	1	610-0001	RESISTOR 2.2 10 W (R1)
10	1	404-0000	TERMINAL, FLEM, 2 POS.
9	1	762-0002	1/2 LG. BUSS WIRE 20 AWG
8	1	354-3007	CYL. BANA, (L1)
7	1	946-0047	CAP ELEC 19 uF 50VNP (C2)
6	1	346-0046	CAP ELEC 7.5 uF 50VNP (C1)
5	2	221-0025	RIVET 1/8 x 3/16, DLK
4	2	215-0024	WASHER, FLAT 3/8 ODK 1/10
3	1	417-1062	CROSSOVER GASKET
2	1	274-1002	NAMESLATE X-OVER PS-5
1	1	001-1000	CROSSOVER BOARD

DATE	BY	DESCRIPTION
11-30-77	RFG	INITIAL DESIGN
12-16-77	RFG	REVISED W/ 2.2 OHM RESISTOR

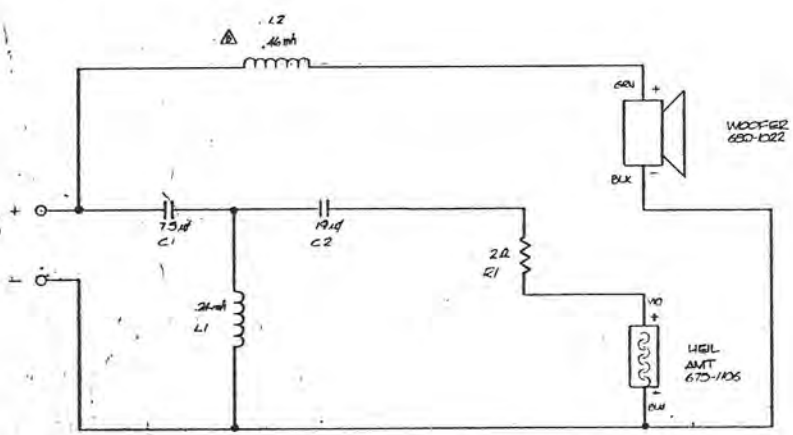
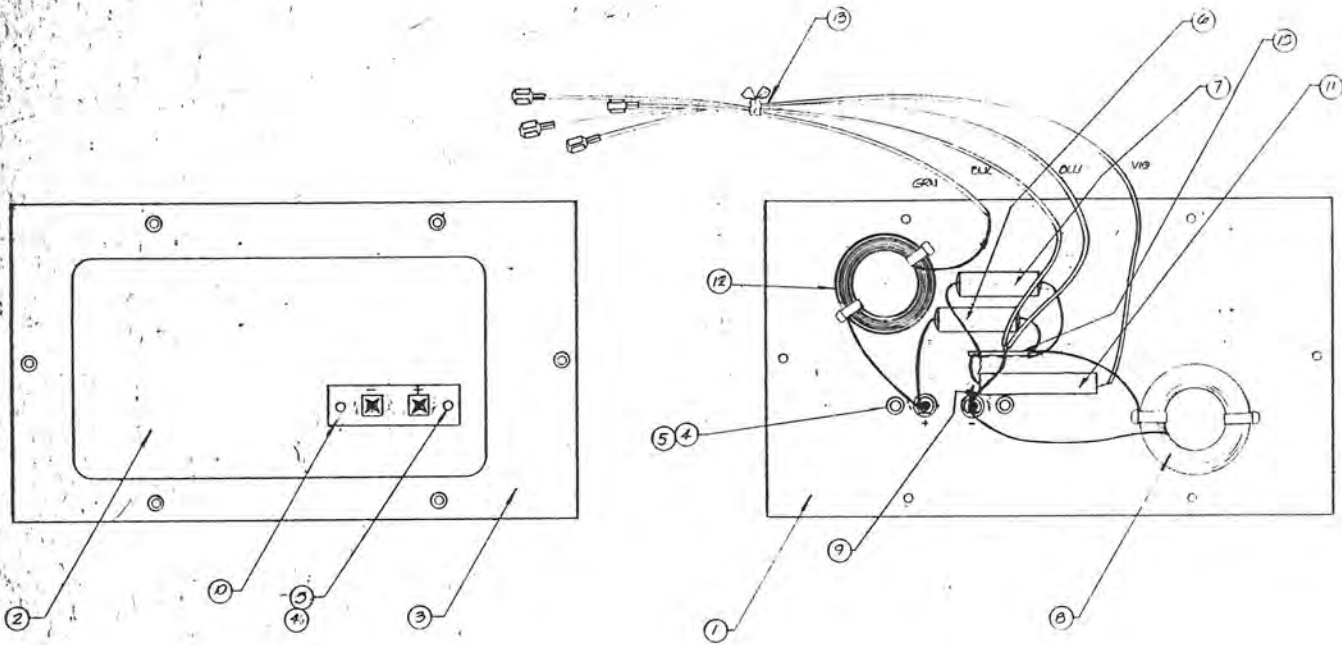
DATE	BY	DESCRIPTION
12-16-77	RFG	CROSSOVER ASSEMBLY

DATE	BY	DESCRIPTION
12-16-77	RFG	CROSSOVER ASSEMBLY



A	REMOVE PARTS AND WIRE CORD FROM 12-22-64	12-22-64	REV	OUT	100
B	REMOVE AND REPLACE (20-0002) WITH 20-0001 (20A-1070)	1-25-78	REV	REV	2-9
C	DELETE (20-0002) 2 BLUE WIRE; ADD 12 BUSH WIRE	1-25-78	REV	REV	7-0
	2) 147 0001 CHANGE 1A-C-1				
	REMOVE 20-0001 (20-0001) WITH 20-0001 (20-0001)	1-27-77	REV	REV	2-4
		6-2-78	REV	REV	7-11



INACTIVE FOR FUTURE DESIGN  
ECO 8-22-64, MT, BUTTERFORD

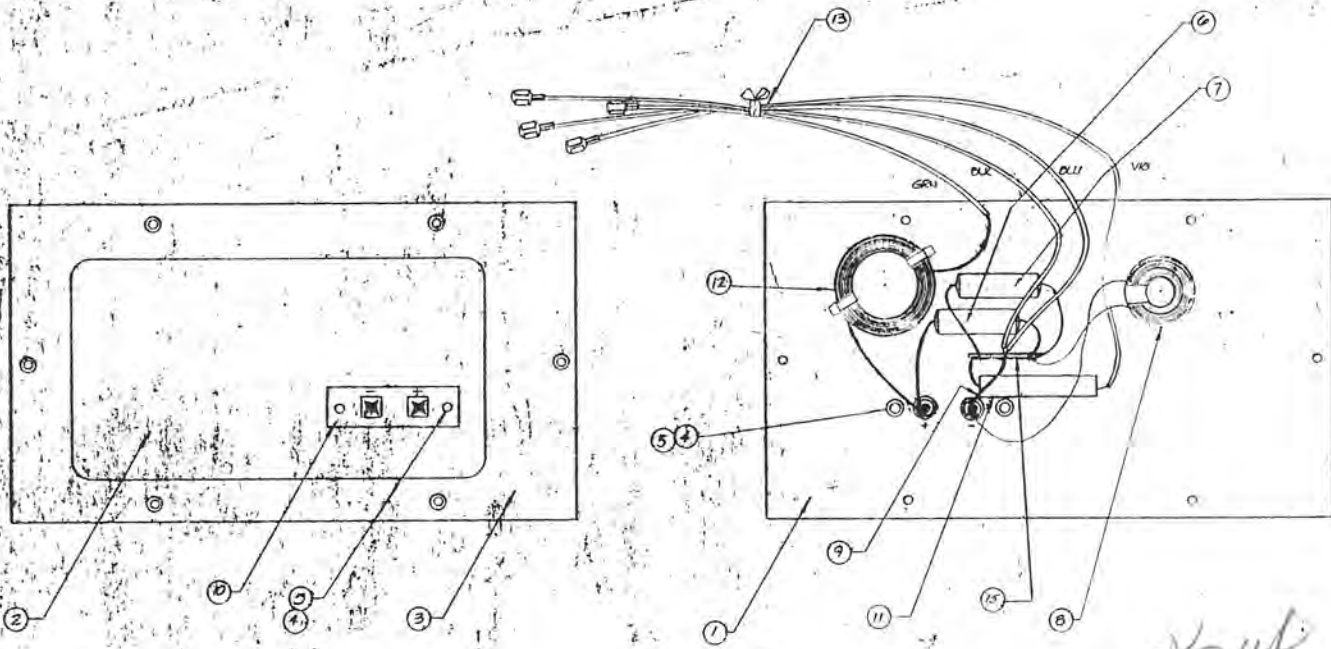
10	1	40-0025	TERMINAL STRIP 3 POS.
14			
13	1	702-104	WIRE HARNESS, BLU/GRN/BLK
12	1	304-1022	COIL, 46mH 2 DBI TIES, 1/2"
11	1	610-0001	RESISTOR 2.2 10 W (R1)
10	1	404-0022	TERMINAL, FLEX, 2 POS.
9	1	762-0000	1/2" BUSS WIRE
8	1	354-071	COIL 24mH 2 DBI TIES, (L1)
7	1	354-0055	CAP ELEC 19µF 75VWP (C2)
6	1	346-0021	CAP ELEC 7.5µF 75VWP (C1)
5	2	227-0025	RIVET 1/8" DIA BLK
4	2	225-0021	WASHER, FLAT 3/16 DIA
3	1	417-1022	CROSSOVER GASKET
2	1	274-0025	NUMERATE X-OVER RS-0
1	1	007-260	CROSSOVER BOARD

DESIGN/INITIALS

TAKING 12-11-72  
M. P. 12-11-72  
R. W. 12-22-74  
MT 12-11-72

CROSSOVER  
REVISION

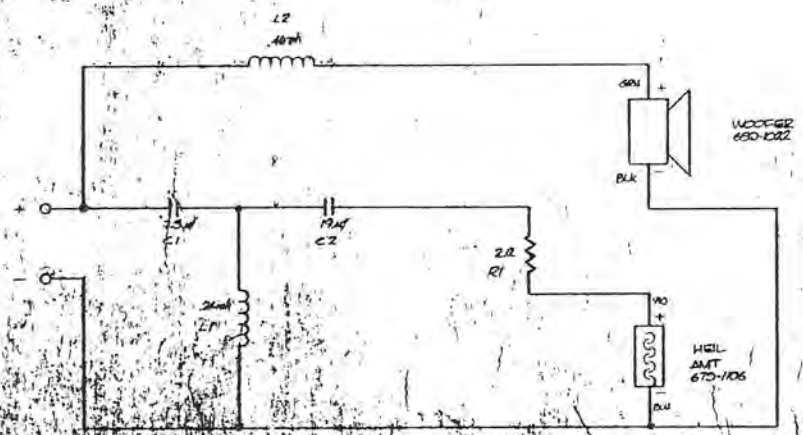
REVISIONS			
REV	REVISION	DATE	BY
1			
2			



NOTES  
 1. FASTEN (6, 7, 8, 11, & 17) TO (1) USING (14).  
 2. USING (16), SOLDER ALL CONNECTIONS THAT DO NOT REQUIRE TERMINAL LUGS OR DO NOT SLIDE TOGETHER.

*20V 3uf*  
*22 Red*

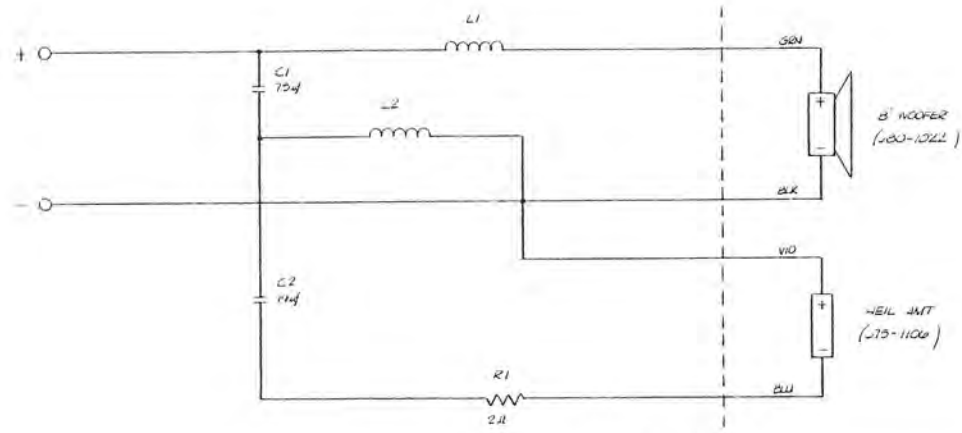
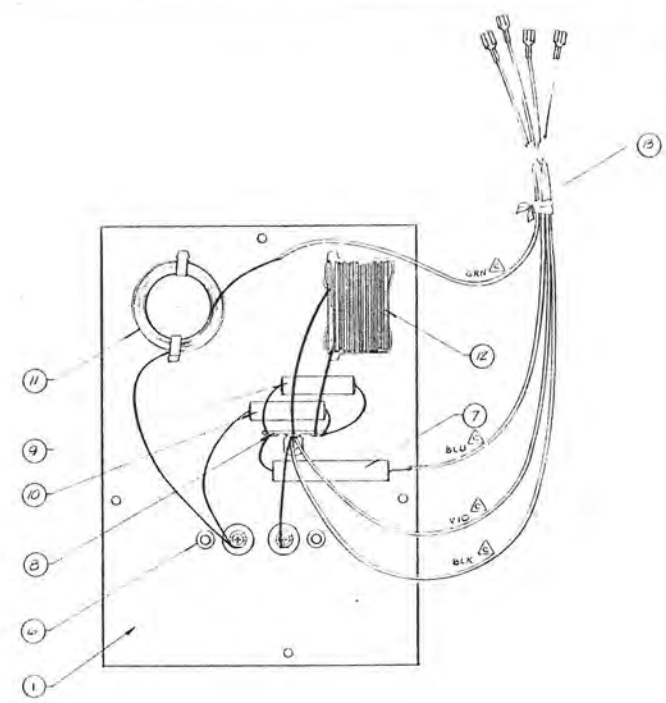
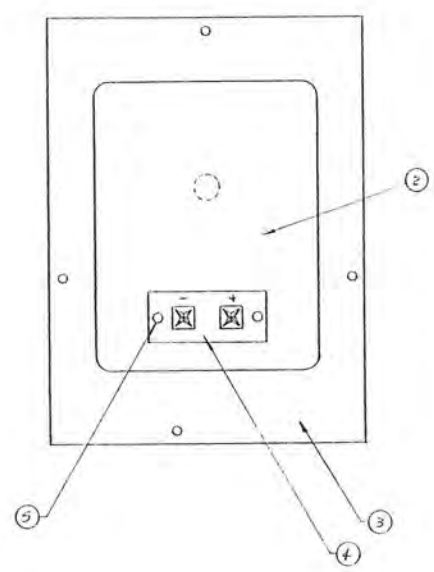
INACTIVE FOR FUTURE DESIGN  
 ECO 9-175, C/20/79, M-MAZONER



16	AR	910-0074	SOLDER, MULTICORE
15	I	480-0028	TERMINAL, 0.0625"
14	AR	151-0041	GLUE, HOT MELT, FULL
13	I	102-1044	WIRE, MAGNETIC, 0.015"
12	I	104-1020	COIL, 4000 OHMS, 1.75"
11	I	640-0000	RESISTOR, 5.1K, 0.25W
10	I	404-0000	TERMINAL, FLAT, 0.125"
9	I	162-0000	1/2" BUSS WIRE, 20 AWG
8	I	134-3007	COIL, 74M, (L1)
7	I	916-0047	CAP, 0.1UF, 50V, 50%
6	I	916-0046	CAP, 0.1UF, 50V, 50%
5	2	221-0075	WASHER, 1/8" DIA.
4	2	200-0024	WASHER, 1/8" DIA.
3	1	147-1000	CROSSOVER, 0.015"
2	1	220-1000	WASHER, 1/8" DIA.
1	1	20-1000	CROSSOVER, 0.015"

PS-8  
 1978

REVISIONS			
NO.	DATE	BY	APP.
1	10-1-58	W. J. BUTTERFOSS	
2	10-1-58	W. J. BUTTERFOSS	

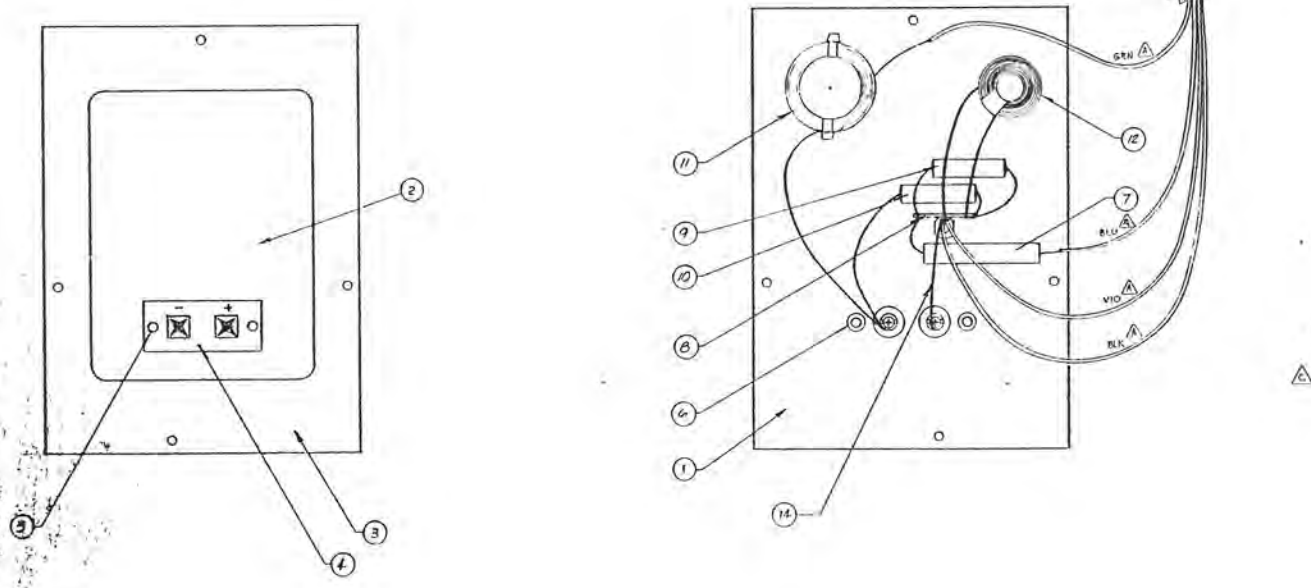


INACTIVE FOR FUTURE DESIGN  
 EDO 9-106, 9-107, 9-108, 9-109, 9-110, 9-111, 9-112, 9-113, 9-114, 9-115, 9-116, 9-117, 9-118, 9-119, 9-120, 9-121, 9-122, 9-123, 9-124, 9-125, 9-126, 9-127, 9-128, 9-129, 9-130, 9-131, 9-132, 9-133, 9-134, 9-135, 9-136, 9-137, 9-138, 9-139, 9-140, 9-141, 9-142, 9-143, 9-144, 9-145, 9-146, 9-147, 9-148, 9-149, 9-150, 9-151, 9-152, 9-153, 9-154, 9-155, 9-156, 9-157, 9-158, 9-159, 9-160, 9-161, 9-162, 9-163, 9-164, 9-165, 9-166, 9-167, 9-168, 9-169, 9-170, 9-171, 9-172, 9-173, 9-174, 9-175, 9-176, 9-177, 9-178, 9-179, 9-180, 9-181, 9-182, 9-183, 9-184, 9-185, 9-186, 9-187, 9-188, 9-189, 9-190, 9-191, 9-192, 9-193, 9-194, 9-195, 9-196, 9-197, 9-198, 9-199, 9-200, 9-201, 9-202, 9-203, 9-204, 9-205, 9-206, 9-207, 9-208, 9-209, 9-210, 9-211, 9-212, 9-213, 9-214, 9-215, 9-216, 9-217, 9-218, 9-219, 9-220, 9-221, 9-222, 9-223, 9-224, 9-225, 9-226, 9-227, 9-228, 9-229, 9-230, 9-231, 9-232, 9-233, 9-234, 9-235, 9-236, 9-237, 9-238, 9-239, 9-240, 9-241, 9-242, 9-243, 9-244, 9-245, 9-246, 9-247, 9-248, 9-249, 9-250, 9-251, 9-252, 9-253, 9-254, 9-255, 9-256, 9-257, 9-258, 9-259, 9-260, 9-261, 9-262, 9-263, 9-264, 9-265, 9-266, 9-267, 9-268, 9-269, 9-270, 9-271, 9-272, 9-273, 9-274, 9-275, 9-276, 9-277, 9-278, 9-279, 9-280, 9-281, 9-282, 9-283, 9-284, 9-285, 9-286, 9-287, 9-288, 9-289, 9-290, 9-291, 9-292, 9-293, 9-294, 9-295, 9-296, 9-297, 9-298, 9-299, 9-300, 9-301, 9-302, 9-303, 9-304, 9-305, 9-306, 9-307, 9-308, 9-309, 9-310, 9-311, 9-312, 9-313, 9-314, 9-315, 9-316, 9-317, 9-318, 9-319, 9-320, 9-321, 9-322, 9-323, 9-324, 9-325, 9-326, 9-327, 9-328, 9-329, 9-330, 9-331, 9-332, 9-333, 9-334, 9-335, 9-336, 9-337, 9-338, 9-339, 9-340, 9-341, 9-342, 9-343, 9-344, 9-345, 9-346, 9-347, 9-348, 9-349, 9-350, 9-351, 9-352, 9-353, 9-354, 9-355, 9-356, 9-357, 9-358, 9-359, 9-360, 9-361, 9-362, 9-363, 9-364, 9-365, 9-366, 9-367, 9-368, 9-369, 9-370, 9-371, 9-372, 9-373, 9-374, 9-375, 9-376, 9-377, 9-378, 9-379, 9-380, 9-381, 9-382, 9-383, 9-384, 9-385, 9-386, 9-387, 9-388, 9-389, 9-390, 9-391, 9-392, 9-393, 9-394, 9-395, 9-396, 9-397, 9-398, 9-399, 9-400, 9-401, 9-402, 9-403, 9-404, 9-405, 9-406, 9-407, 9-408, 9-409, 9-410, 9-411, 9-412, 9-413, 9-414, 9-415, 9-416, 9-417, 9-418, 9-419, 9-420, 9-421, 9-422, 9-423, 9-424, 9-425, 9-426, 9-427, 9-428, 9-429, 9-430, 9-431, 9-432, 9-433, 9-434, 9-435, 9-436, 9-437, 9-438, 9-439, 9-440, 9-441, 9-442, 9-443, 9-444, 9-445, 9-446, 9-447, 9-448, 9-449, 9-450, 9-451, 9-452, 9-453, 9-454, 9-455, 9-456, 9-457, 9-458, 9-459, 9-460, 9-461, 9-462, 9-463, 9-464, 9-465, 9-466, 9-467, 9-468, 9-469, 9-470, 9-471, 9-472, 9-473, 9-474, 9-475, 9-476, 9-477, 9-478, 9-479, 9-480, 9-481, 9-482, 9-483, 9-484, 9-485, 9-486, 9-487, 9-488, 9-489, 9-490, 9-491, 9-492, 9-493, 9-494, 9-495, 9-496, 9-497, 9-498, 9-499, 9-500, 9-501, 9-502, 9-503, 9-504, 9-505, 9-506, 9-507, 9-508, 9-509, 9-510, 9-511, 9-512, 9-513, 9-514, 9-515, 9-516, 9-517, 9-518, 9-519, 9-520, 9-521, 9-522, 9-523, 9-524, 9-525, 9-526, 9-527, 9-528, 9-529, 9-530, 9-531, 9-532, 9-533, 9-534, 9-535, 9-536, 9-537, 9-538, 9-539, 9-540, 9-541, 9-542, 9-543, 9-544, 9-545, 9-546, 9-547, 9-548, 9-549, 9-550, 9-551, 9-552, 9-553, 9-554, 9-555, 9-556, 9-557, 9-558, 9-559, 9-560, 9-561, 9-562, 9-563, 9-564, 9-565, 9-566, 9-567, 9-568, 9-569, 9-570, 9-571, 9-572, 9-573, 9-574, 9-575, 9-576, 9-577, 9-578, 9-579, 9-580, 9-581, 9-582, 9-583, 9-584, 9-585, 9-586, 9-587, 9-588, 9-589, 9-590, 9-591, 9-592, 9-593, 9-594, 9-595, 9-596, 9-597, 9-598, 9-599, 9-600, 9-601, 9-602, 9-603, 9-604, 9-605, 9-606, 9-607, 9-608, 9-609, 9-610, 9-611, 9-612, 9-613, 9-614, 9-615, 9-616, 9-617, 9-618, 9-619, 9-620, 9-621, 9-622, 9-623, 9-624, 9-625, 9-626, 9-627, 9-628, 9-629, 9-630, 9-631, 9-632, 9-633, 9-634, 9-635, 9-636, 9-637, 9-638, 9-639, 9-640, 9-641, 9-642, 9-643, 9-644, 9-645, 9-646, 9-647, 9-648, 9-649, 9-650, 9-651, 9-652, 9-653, 9-654, 9-655, 9-656, 9-657, 9-658, 9-659, 9-660, 9-661, 9-662, 9-663, 9-664, 9-665, 9-666, 9-667, 9-668, 9-669, 9-670, 9-671, 9-672, 9-673, 9-674, 9-675, 9-676, 9-677, 9-678, 9-679, 9-680, 9-681, 9-682, 9-683, 9-684, 9-685, 9-686, 9-687, 9-688, 9-689, 9-690, 9-691, 9-692, 9-693, 9-694, 9-695, 9-696, 9-697, 9-698, 9-699, 9-700, 9-701, 9-702, 9-703, 9-704, 9-705, 9-706, 9-707, 9-708, 9-709, 9-710, 9-711, 9-712, 9-713, 9-714, 9-715, 9-716, 9-717, 9-718, 9-719, 9-720, 9-721, 9-722, 9-723, 9-724, 9-725, 9-726, 9-727, 9-728, 9-729, 9-730, 9-731, 9-732, 9-733, 9-734, 9-735, 9-736, 9-737, 9-738, 9-739, 9-740, 9-741, 9-742, 9-743, 9-744, 9-745, 9-746, 9-747, 9-748, 9-749, 9-750, 9-751, 9-752, 9-753, 9-754, 9-755, 9-756, 9-757, 9-758, 9-759, 9-760, 9-761, 9-762, 9-763, 9-764, 9-765, 9-766, 9-767, 9-768, 9-769, 9-770, 9-771, 9-772, 9-773, 9-774, 9-775, 9-776, 9-777, 9-778, 9-779, 9-780, 9-781, 9-782, 9-783, 9-784, 9-785, 9-786, 9-787, 9-788, 9-789, 9-790, 9-791, 9-792, 9-793, 9-794, 9-795, 9-796, 9-797, 9-798, 9-799, 9-800, 9-801, 9-802, 9-803, 9-804, 9-805, 9-806, 9-807, 9-808, 9-809, 9-810, 9-811, 9-812, 9-813, 9-814, 9-815, 9-816, 9-817, 9-818, 9-819, 9-820, 9-821, 9-822, 9-823, 9-824, 9-825, 9-826, 9-827, 9-828, 9-829, 9-830, 9-831, 9-832, 9-833, 9-834, 9-835, 9-836, 9-837, 9-838, 9-839, 9-840, 9-841, 9-842, 9-843, 9-844, 9-845, 9-846, 9-847, 9-848, 9-849, 9-850, 9-851, 9-852, 9-853, 9-854, 9-855, 9-856, 9-857, 9-858, 9-859, 9-860, 9-861, 9-862, 9-863, 9-864, 9-865, 9-866, 9-867, 9-868, 9-869, 9-870, 9-871, 9-872, 9-873, 9-874, 9-875, 9-876, 9-877, 9-878, 9-879, 9-880, 9-881, 9-882, 9-883, 9-884, 9-885, 9-886, 9-887, 9-888, 9-889, 9-890, 9-891, 9-892, 9-893, 9-894, 9-895, 9-896, 9-897, 9-898, 9-899, 9-900, 9-901, 9-902, 9-903, 9-904, 9-905, 9-906, 9-907, 9-908, 9-909, 9-910, 9-911, 9-912, 9-913, 9-914, 9-915, 9-916, 9-917, 9-918, 9-919, 9-920, 9-921, 9-922, 9-923, 9-924, 9-925, 9-926, 9-927, 9-928, 9-929, 9-930, 9-931, 9-932, 9-933, 9-934, 9-935, 9-936, 9-937, 9-938, 9-939, 9-940, 9-941, 9-942, 9-943, 9-944, 9-945, 9-946, 9-947, 9-948, 9-949, 9-950, 9-951, 9-952, 9-953, 9-954, 9-955, 9-956, 9-957, 9-958, 9-959, 9-960, 9-961, 9-962, 9-963, 9-964, 9-965, 9-966, 9-967, 9-968, 9-969, 9-970, 9-971, 9-972, 9-973, 9-974, 9-975, 9-976, 9-977, 9-978, 9-979, 9-980, 9-981, 9-982, 9-983, 9-984, 9-985, 9-986, 9-987, 9-988, 9-989, 9-990, 9-991, 9-992, 9-993, 9-994, 9-995, 9-996, 9-997, 9-998, 9-999, 1000.

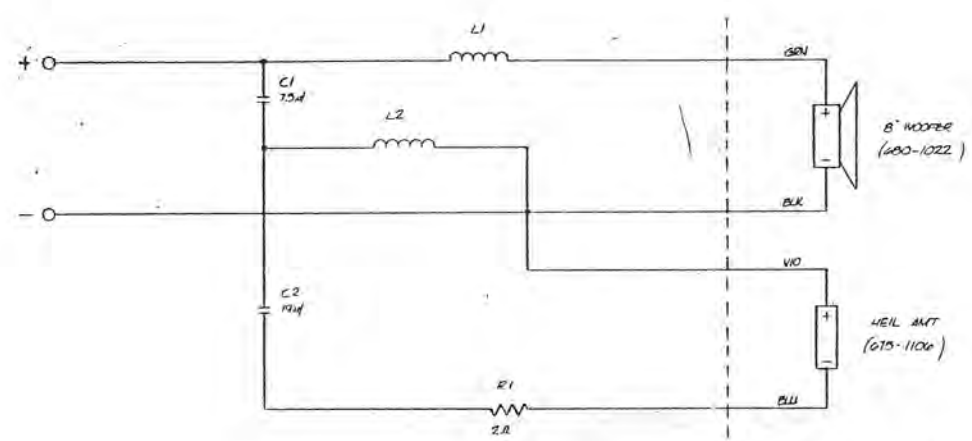
QTY	PART NO.	DESCRIPTION/MATERIAL
13	102-1044	WIRE-HARDNESS, 24/100/50W/BLK
12	204-1091	COIL, 24 mA 2 ORANGE TRES/L
11	204-1020	COIL, 40 mA 2 ORANGE TRES/L
10	36-0021	CAPACITOR, 75µf 75VWP (C1)
9	36-0033	CAPACITOR, 19µf 75VWP (C2)
8	480-0008	TERMINAL STRIP, 3 POS
7	60-0001	RESISTOR, 2.0 10W (R1)
6	219-0001	WASHER, FLAT 1/10 x 3/60
5	221-0010	RIVET, 1/8 x 3/16 BLK
4	104-2000	PUSH TERMINAL, 2 POS
3	47-1045	GASKET, K-OVER
2	176-1422	NAMEPLATE, 1.5-DE
1	010-1101	CROSSOVER BOARD

ITEM	QTY	PART NO.	DESCRIPTION/MATERIAL
1	1	010-1101	CROSSOVER BOARD
BUTTERFOSS 15-02/15 DE 10-1-58			

CHECKED	BY	REVISIONS		
		DATE	BY	REVISION
		12-16-77		
		12-2-77		
		12-15-77		



NOTES:  
 1. PASTER (7, 8, 9, 10, 11, 12) TO (1), USING (15), (A)  
 2. USING (16), SOLDER ALL CONNECTIONS THAT DO NOT REQUIRE TERMINAL LUGS OR DO NOT SLIDE TOGETHER.

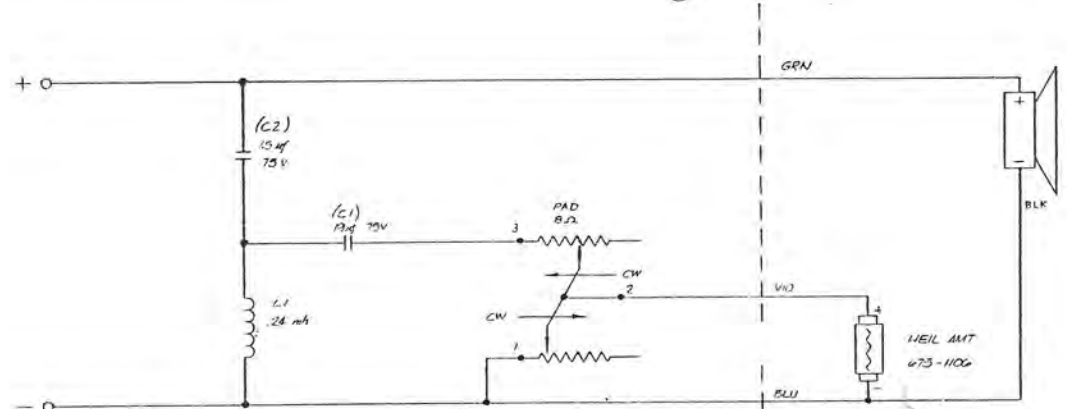
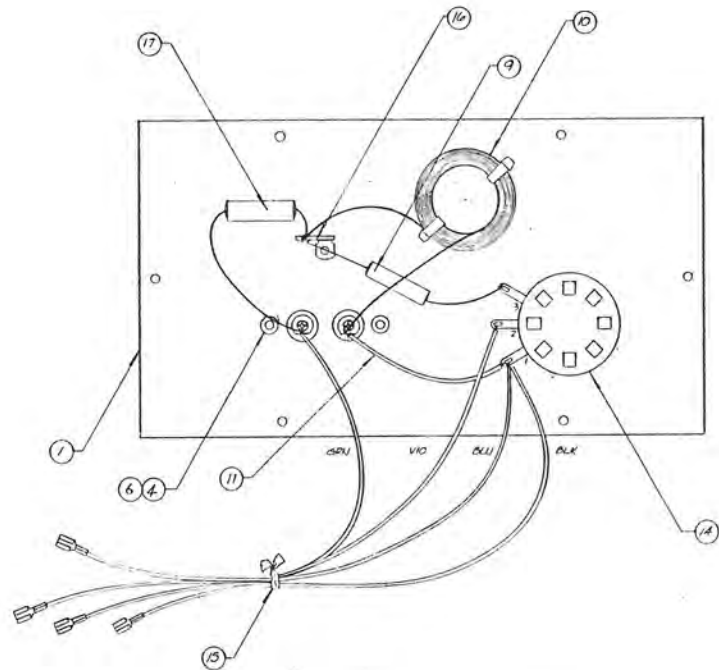
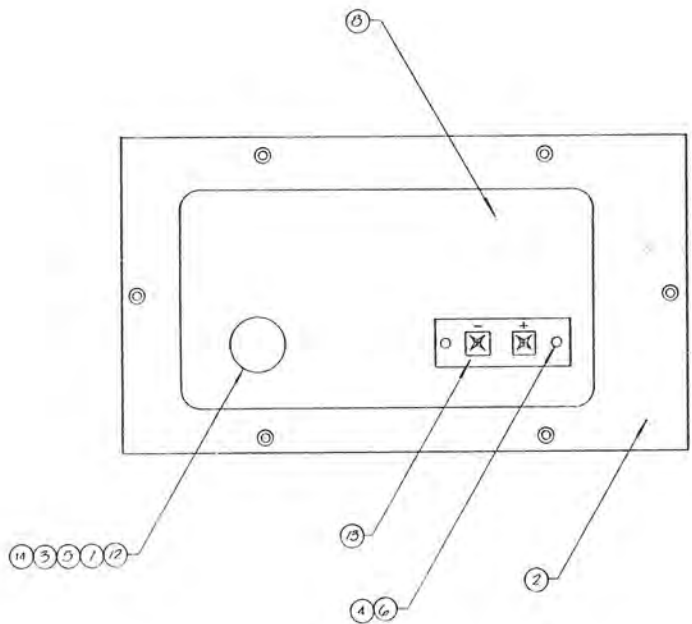


QTY	PART NO.	DESCRIPTION/MATERIAL
16	AR 310-0029	SOLDER, MULTICORE #22.5
15	AR 151-0041	HOT MELT GLUE, FILLER
14	1 762-0002	WIRE BUSS BOARDS
13	1 70E-1044	WIRE HARNESS, BLK/VIO/GEN/BLK
12	1 054-3007	COIL, .24mm, (1, 2)
11	1 054-1038	COIL, .64mm, GEN & NAT. TIES (1)
10	1 56-0346	CAPACITOR, 7.5µF, 50VDC
9	1 246-0047	CAPACITOR, 10µF, 50VDC
8	1 180-0008	TERMINAL STRIP, 5 POS.
7	1 60-0001	BRN STRIP, 2.2 INCH
6	2 205-0081	WASHER, FLT 6/10 #30R
5	2 220-0015	RIVET, 6 V 3/16, BLK
4	1 404-0020	FLSH TERMINAL, 2 POS.
3	1 417-1015	GASKET, X-OVER
2	1 270-1008	ALUMINATE

ITEM	QTY	DESCRIPTION/MATERIAL
1	1	CROSSOVER BOARD
DATE: 12-16-77 BY: [Signature] CHECKED: [Signature] TITLE: CROSSOVER ASSEMBLY		

34 PS-9

REVISIONS					
REV.	DESCRIPTION	DATE	BY	CHK'D	APP'D
A	TEMP CALLING: VOLT (BLUE WIRE) +0.5VDC (1.0VDC)	12-22-74	WJ	WJ	WJ
B	LOW LEVEL: DELAY 5.0V SIGNAL (10.0V) (5.0V/7.5V/10V)	1-2-75	WJ	WJ	WJ
C	DEF: 485-275 W/ 485-2000	1-2-75	WJ	WJ	WJ
D	REVIEW: W/AS 22-11-1974 1/2 4 1974	1-3-75	WJ	WJ	WJ



Tweet x.o point 3500 cycles  
 Woofer Rolls off 1700 cycles

REV.	DESCRIPTION	DATE	BY	CHK'D	APP'D
17	1 34-0021 CAP. 7.5µF 75V NP (C2)				
16	1 484-007 TERMINAL STRIP, 1 POS.				
15	1 702-1044 WIRE HIGHNESS, DLU/W/O/GRN/BLU				
14	1 550-0010 PRT. B.O. L-PAD				
13	1 404-0038 FLOW TERMINAL, 2 POS.				
12	1 443-0113 KNOB, ALLIN, KURLED				
11	1 195-0019 WIRE, 20AWG, STRANDED, BLACK, 6 IN. (L1)				
10	1 384-0011 COIL, 24mH, 2 DCR TIES (L1)				
9	1 34-0033 CAP. ELAC, 1µF 75V NP (C1)				
8	1 22-1074 NAMEPLATE, LSA				
7	1 240-0011 NUT, HEX DRESS 3/32 x 1/2"				
6	2 221-0019 RIVET 3/8 x 3/16 DLK				
5	1 215-0018 WASHER, FLAT, CAD PRT 3/800 x 1/16"				
4	2 215-0024 WASHER, FLAT 3/800 x 1/16"				
3	1 215-0025 WASHER, IN-AL 3/800 x 1/16"				
2	1 417-1062 GASKET				
1	1 210-1008 CROSSOVER BOARD				

INACTIVE FOR FUTURE DESIGN  
 BCO 2-208

DATE: 12-22-74  
 BY: WJ  
 CHK'D: WJ  
 APP'D: WJ

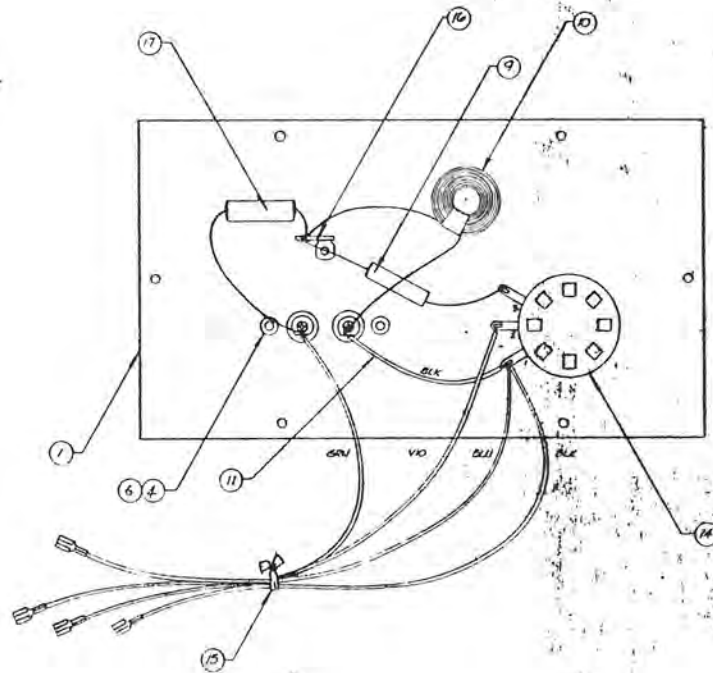
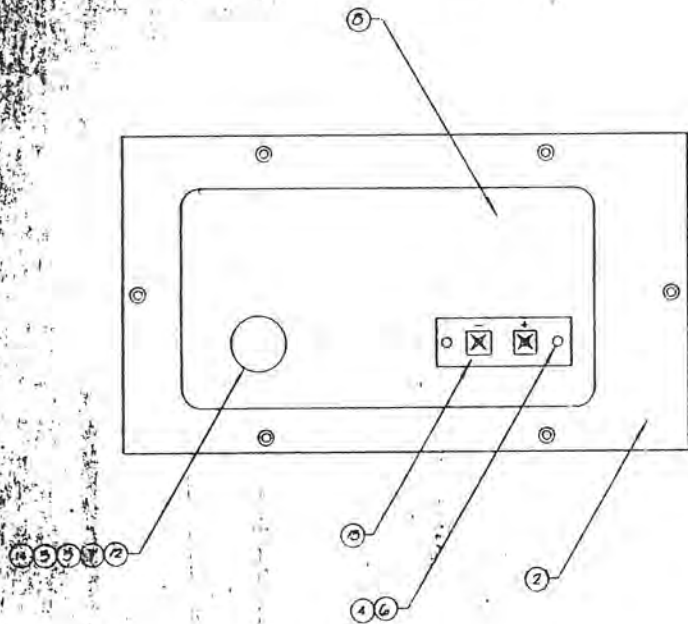
ES&S, INC.  
 1745 W. 17th St.  
 Tempe, Arizona 85284

CROSSOVER ASSEMBLY

ESS TEMPEST LSA

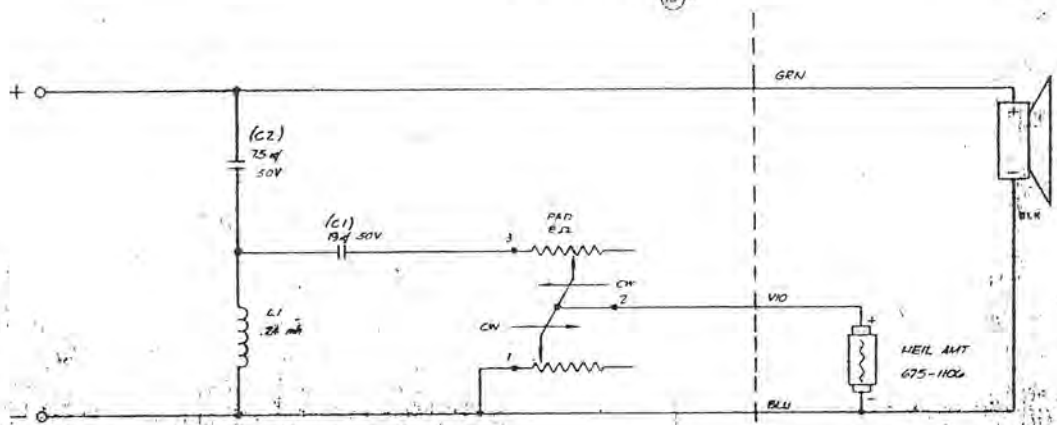
LS-4 1978

NO.	REV.	DATE	BY	CHKD.
1				



NOTES:  
 1. FASTEN (3), (6), (16), & (11) TO (7) USING (16)  
 2. USING (16) SOLDER ALL CONNECTIONS. THEY DO NOT REQUIRE TERMINAL LUGS & NOT SLIDE TOGETHER.

ALTERNATIVE FOR FUTURE REVISIONS: 27, 28, 29, 30, 31, 32, 33, 34, 35, 36, 37, 38, 39, 40, 41, 42, 43, 44, 45, 46, 47, 48, 49, 50, 51, 52, 53, 54, 55, 56, 57, 58, 59, 60, 61, 62, 63, 64, 65, 66, 67, 68, 69, 70, 71, 72, 73, 74, 75, 76, 77, 78, 79, 80, 81, 82, 83, 84, 85, 86, 87, 88, 89, 90, 91, 92, 93, 94, 95, 96, 97, 98, 99, 100



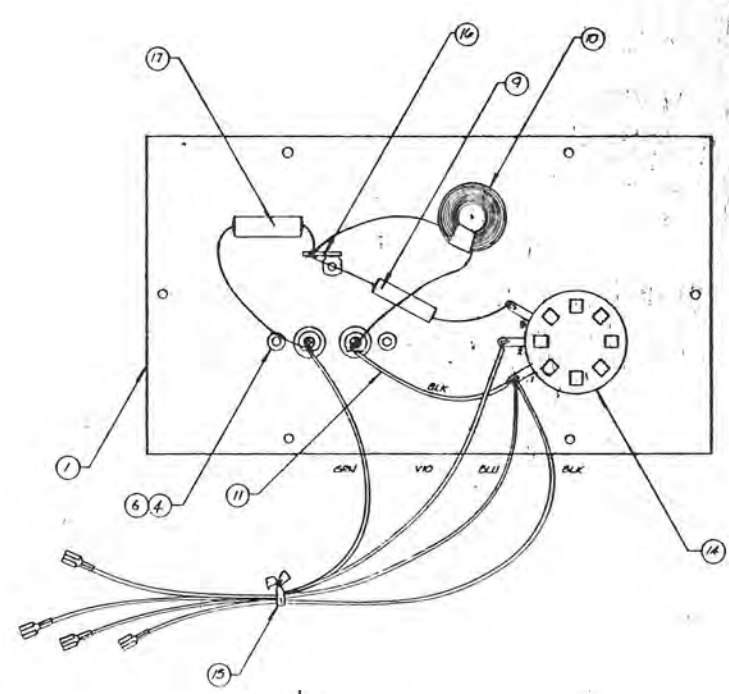
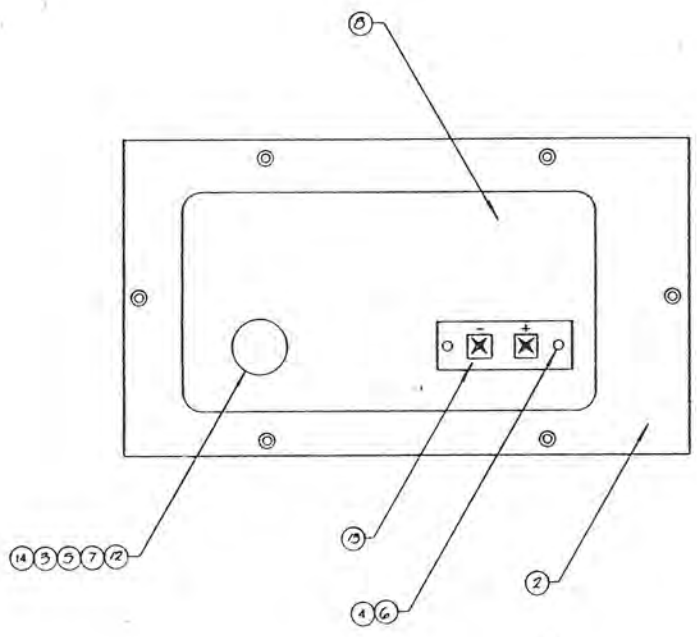
10' WOODR  
 600-2054

1	10' WOODR	600-2054
2	10' WOODR	600-2054
3	10' WOODR	600-2054
4	10' WOODR	600-2054
5	10' WOODR	600-2054
6	10' WOODR	600-2054
7	10' WOODR	600-2054
8	10' WOODR	600-2054
9	10' WOODR	600-2054
10	10' WOODR	600-2054
11	10' WOODR	600-2054
12	10' WOODR	600-2054
13	10' WOODR	600-2054
14	10' WOODR	600-2054
15	10' WOODR	600-2054
16	10' WOODR	600-2054
17	10' WOODR	600-2054
18	10' WOODR	600-2054
19	10' WOODR	600-2054
20	10' WOODR	600-2054
21	10' WOODR	600-2054
22	10' WOODR	600-2054
23	10' WOODR	600-2054
24	10' WOODR	600-2054
25	10' WOODR	600-2054
26	10' WOODR	600-2054
27	10' WOODR	600-2054
28	10' WOODR	600-2054
29	10' WOODR	600-2054
30	10' WOODR	600-2054
31	10' WOODR	600-2054
32	10' WOODR	600-2054
33	10' WOODR	600-2054
34	10' WOODR	600-2054
35	10' WOODR	600-2054
36	10' WOODR	600-2054
37	10' WOODR	600-2054
38	10' WOODR	600-2054
39	10' WOODR	600-2054
40	10' WOODR	600-2054
41	10' WOODR	600-2054
42	10' WOODR	600-2054
43	10' WOODR	600-2054
44	10' WOODR	600-2054
45	10' WOODR	600-2054
46	10' WOODR	600-2054
47	10' WOODR	600-2054
48	10' WOODR	600-2054
49	10' WOODR	600-2054
50	10' WOODR	600-2054
51	10' WOODR	600-2054
52	10' WOODR	600-2054
53	10' WOODR	600-2054
54	10' WOODR	600-2054
55	10' WOODR	600-2054
56	10' WOODR	600-2054
57	10' WOODR	600-2054
58	10' WOODR	600-2054
59	10' WOODR	600-2054
60	10' WOODR	600-2054
61	10' WOODR	600-2054
62	10' WOODR	600-2054
63	10' WOODR	600-2054
64	10' WOODR	600-2054
65	10' WOODR	600-2054
66	10' WOODR	600-2054
67	10' WOODR	600-2054
68	10' WOODR	600-2054
69	10' WOODR	600-2054
70	10' WOODR	600-2054
71	10' WOODR	600-2054
72	10' WOODR	600-2054
73	10' WOODR	600-2054
74	10' WOODR	600-2054
75	10' WOODR	600-2054
76	10' WOODR	600-2054
77	10' WOODR	600-2054
78	10' WOODR	600-2054
79	10' WOODR	600-2054
80	10' WOODR	600-2054
81	10' WOODR	600-2054
82	10' WOODR	600-2054
83	10' WOODR	600-2054
84	10' WOODR	600-2054
85	10' WOODR	600-2054
86	10' WOODR	600-2054
87	10' WOODR	600-2054
88	10' WOODR	600-2054
89	10' WOODR	600-2054
90	10' WOODR	600-2054
91	10' WOODR	600-2054
92	10' WOODR	600-2054
93	10' WOODR	600-2054
94	10' WOODR	600-2054
95	10' WOODR	600-2054
96	10' WOODR	600-2054
97	10' WOODR	600-2054
98	10' WOODR	600-2054
99	10' WOODR	600-2054
100	10' WOODR	600-2054

-36-

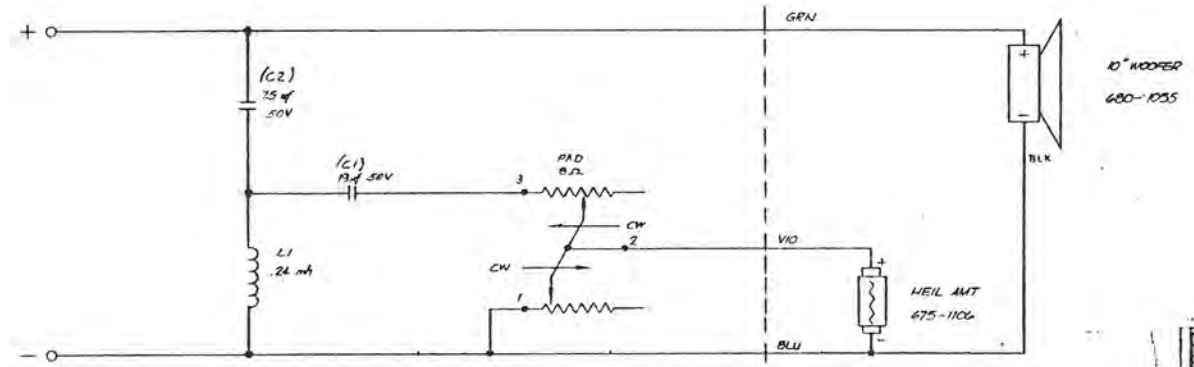
LS4 178

10 WAS 25A 200T COIL. 25 WVA BRN. NOT USED IN THIS DESIGN. ADDED NOTE TO PART 10 IN 1951.



**NOTES:**  
 1. FASTER 9, 10, 16, 17 TO 1 USING 19.  
 2. USING 19, SOLDER ALL CONNECTIONS THAT DO NOT REQUIRE TERMINAL LUGS OR DO NOT SLIDE TOGETHER.

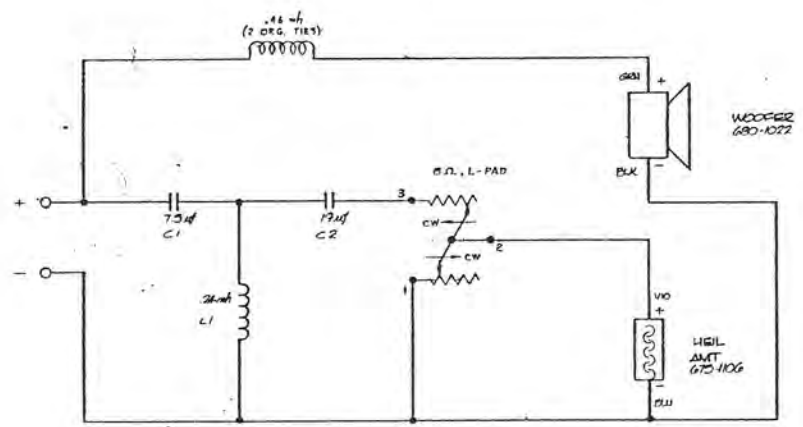
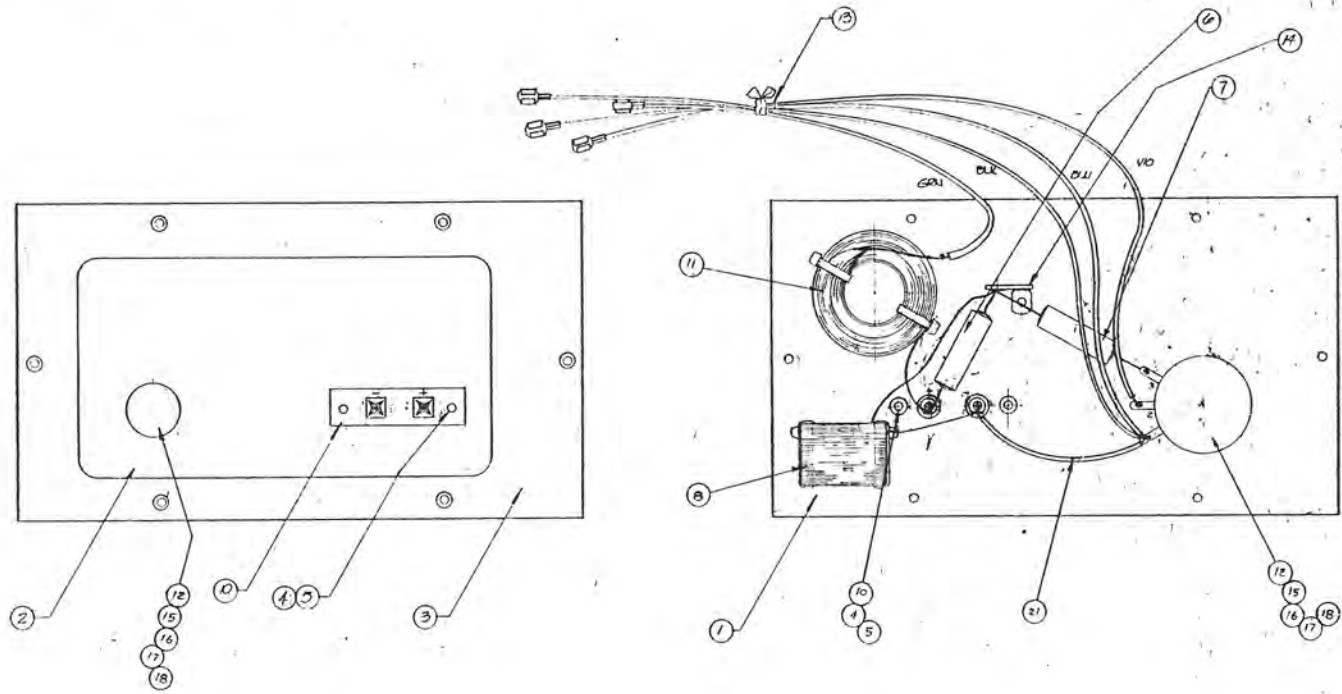
INACTIVE FOR FUTURE DESIGN  
 EC2 9-175, 6/26/79, M. MALONEY



13	AR	910-0029	SOLDER, MULTICORE #22
18	AR	151-0041	GLUE, HOT MELL, FULLER
17	1	94-0046	CAP 7.5UF, 50V WVA (C2)
16	4	484-0077	TERMINAL STRIP, 1 ROW
15	1	702-1014	WIRE, HARDNESS, 24 AWG (L1)
14	1	550-0020	POT, 50K, 1/2" (C1)
13	1	484-0028	PLATE TERMINAL, 2 ROW
12	1	484-0028	PLATE, ALUM, MAGNETIC TRANSIST
11	1	715-0088	WIRE, STRANDED 20AWG BLK #1
10	1	958-0007	COIL 25A (L1)
9	1	94-0047	CAP ELCC, 10UF, 50V WVA (C1)
8	1	94-100	NAMEPLATE, 1 1/2" x 3"
7	1	240-001	WRT, WREN DRESSER 2 1/2" DIA
6	2	221-0015	RIVET # 24 GA. BLK
5	2	221-0015	RIVET # 24 GA. BLK
4	2	975-0024	WASHER, PLAT, 240 WVA 200T
3	1	215-0021	WASHER, PLAT, 240 WVA 200T
2	1	47-106	DISKET

REVISIONS

REV.	DATE	DESCRIPTION
A		ISSUES DRAWING AND CHECK PARTS LIST
B	10-1-54	REPAIR TO: 1. 70-0018 WIRE STRAPPING AT POINT C, FIG. 21
		2. 70-0018 WIRE STRAPPING AT POINT D, FIG. 21
		3. 70-0018 WIRE STRAPPING AT POINT E, FIG. 21
		4. 70-0018 WIRE STRAPPING AT POINT F, FIG. 21
		5. 70-0018 WIRE STRAPPING AT POINT G, FIG. 21
		6. 70-0018 WIRE STRAPPING AT POINT H, FIG. 21
		7. 70-0018 WIRE STRAPPING AT POINT I, FIG. 21
		8. 70-0018 WIRE STRAPPING AT POINT J, FIG. 21
		9. 70-0018 WIRE STRAPPING AT POINT K, FIG. 21
		10. 70-0018 WIRE STRAPPING AT POINT L, FIG. 21
		11. 70-0018 WIRE STRAPPING AT POINT M, FIG. 21
		12. 70-0018 WIRE STRAPPING AT POINT N, FIG. 21
		13. 70-0018 WIRE STRAPPING AT POINT O, FIG. 21
		14. 70-0018 WIRE STRAPPING AT POINT P, FIG. 21
		15. 70-0018 WIRE STRAPPING AT POINT Q, FIG. 21
		16. 70-0018 WIRE STRAPPING AT POINT R, FIG. 21
		17. 70-0018 WIRE STRAPPING AT POINT S, FIG. 21
		18. 70-0018 WIRE STRAPPING AT POINT T, FIG. 21
		19. 70-0018 WIRE STRAPPING AT POINT U, FIG. 21
		20. 70-0018 WIRE STRAPPING AT POINT V, FIG. 21
		21. 70-0018 WIRE STRAPPING AT POINT W, FIG. 21
		22. 70-0018 WIRE STRAPPING AT POINT X, FIG. 21
		23. 70-0018 WIRE STRAPPING AT POINT Y, FIG. 21
		24. 70-0018 WIRE STRAPPING AT POINT Z, FIG. 21

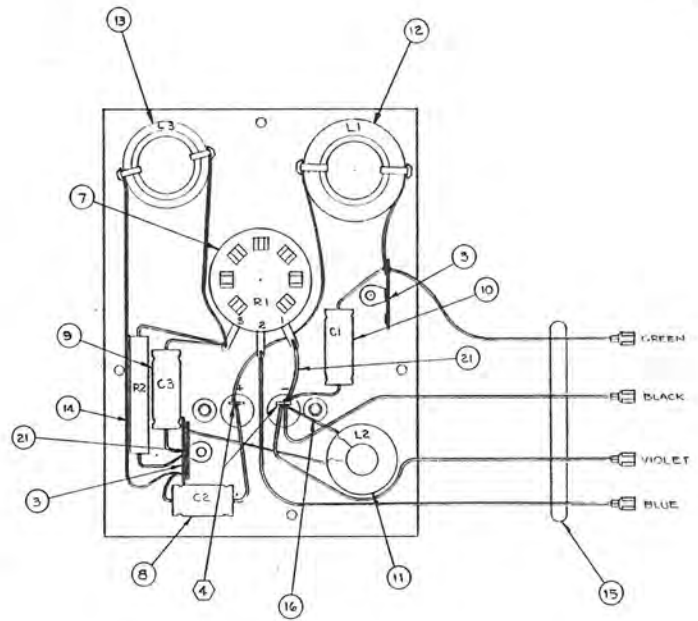
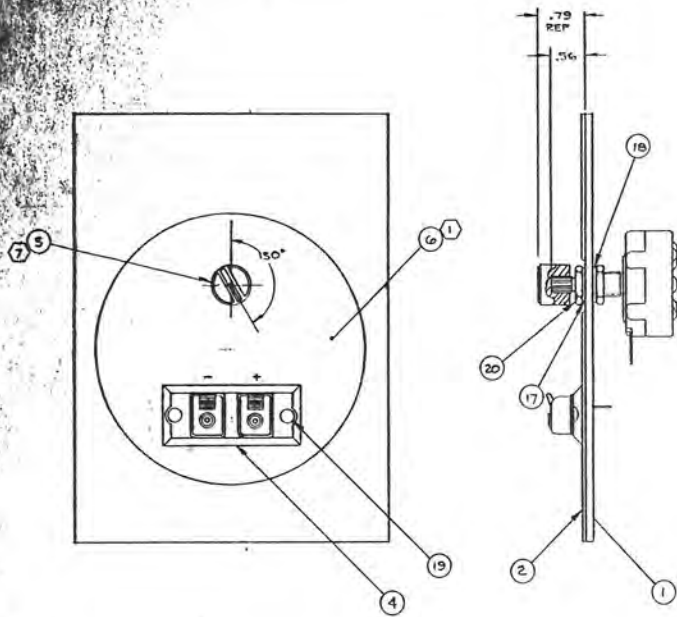


REV.	DATE	DESCRIPTION
21	7	70-0018 WIRE STRAPPING AT POINT C, FIG. 21
20		
19		
18	7	70-0018 WIRE STRAPPING AT POINT D, FIG. 21
17	7	70-0018 WIRE STRAPPING AT POINT E, FIG. 21
16	7	70-0018 WIRE STRAPPING AT POINT F, FIG. 21
15	7	70-0018 WIRE STRAPPING AT POINT G, FIG. 21
14	7	70-0018 WIRE STRAPPING AT POINT H, FIG. 21
13	7	70-0018 WIRE STRAPPING AT POINT I, FIG. 21
12	7	70-0018 WIRE STRAPPING AT POINT J, FIG. 21
11	7	70-0018 WIRE STRAPPING AT POINT K, FIG. 21
10	7	70-0018 WIRE STRAPPING AT POINT L, FIG. 21
9		
8	7	70-0018 WIRE STRAPPING AT POINT M, FIG. 21
7	7	70-0018 WIRE STRAPPING AT POINT N, FIG. 21
6	7	70-0018 WIRE STRAPPING AT POINT O, FIG. 21
5	7	70-0018 WIRE STRAPPING AT POINT P, FIG. 21
4	7	70-0018 WIRE STRAPPING AT POINT Q, FIG. 21
3	7	70-0018 WIRE STRAPPING AT POINT R, FIG. 21
2	7	70-0018 WIRE STRAPPING AT POINT S, FIG. 21
1	7	70-0018 WIRE STRAPPING AT POINT T, FIG. 21

MAKING FOR FUTURE DESIGN  
NO. 2-225

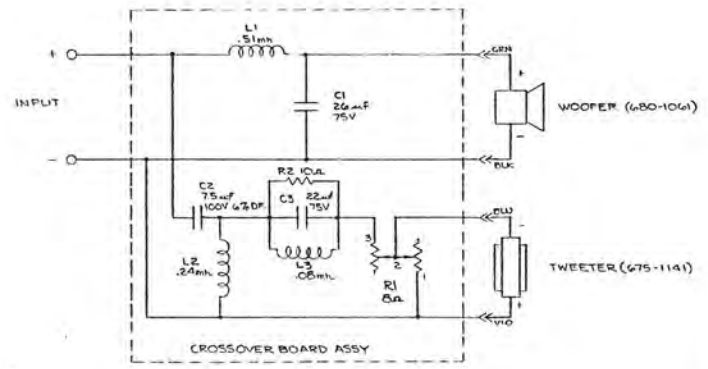


REVISIONS					
CL REC. C.C. 3	REV	DESCRIPTION	ECO #	DRW#	DATE
7/1/57	A	ITEM 12, 334-1030 COIL, .51mh, 18 AWG WAS 334-1117 COIL, .51mh, 31... DCR.	3-212	RN	8-24-78



EQ	AR	QTY	DESCRIPTION
23	AR	310-0029	SOLDER, MULTICORE
22	AR	151-0041	ADHESIVE
21	2	762-0002	WIRE, 20AWG 100LG
20	1	240-0011	NUT, HEX, DRESS
19	2	221-0025	RIVET, BLK
18	1	215-0035	WASHER, LOCK
17	1	215-0035	WASHER, FLAT
16	2	215-0031	WASHER, FLAT
15	1	702-1044	WIRE HARNESS
14	1	610-0007	RESISTOR JOA, 10W
13	1	334-1011	COIL, .05 mh
12	1	334-1030	COIL, .51mh, 18 AWG
11	1	334-2007	COIL, .24 mh
10	1	516-0034	CAPACITOR, 22µF, 75VNP
9	1	316-0051	CAPACITOR, 22µF, 75VNP
8	1	516-0045	CAPACITOR, 7.5µF, 100VNP, 6.3VDC
7	1	550-0008	CONTROL, 5A L PAD
6	1	276-1334	NAMEPLATE, PS-5A
5	1	443-2004	KNOB
4	1	484-0031	TERMINAL PUSH, 2 POS
3	2	480-0005	TERMINAL STRIP, 3 POS
2	1	417-1205	GASKET, CROSSOVER
1	1	010-1107	CROSSOVER BOARD

- NOTE:
- APPLY (6) TO (1) PRIOR TO APPLYING (2) TO (1)
  - ATTACH (9), (8), (5), (10), (13), (3) AND (4) TO (1) USING (2)
  - USING (2), SOLDER ALL CONNECTIONS THAT DO NOT REQUIRE TERMINAL LUGS.
  - BEND TERMINALS AWAY FROM EDGE OF HOLES IN BOARD TO PREVENT CONTACT WITH METALLIC FOIL.
  - ALL CAPACITANCE VALUES ARE IN MICROFARADS ±10% TOL ±10% DF @ 1000HZ UNLESS OTHERWISE SPECIFIED.
  - ALL INDUCTANCE VALUES ARE IN MILLIHENRYS, ±5%.
  - ROTATE SHAFT OF (7) TO MAXIMUM CLOCKWISE POSITION PRIOR TO INSTALLING (5) WITH SLOT AND WHITE DOT IN ORIENTATION SHOWN.



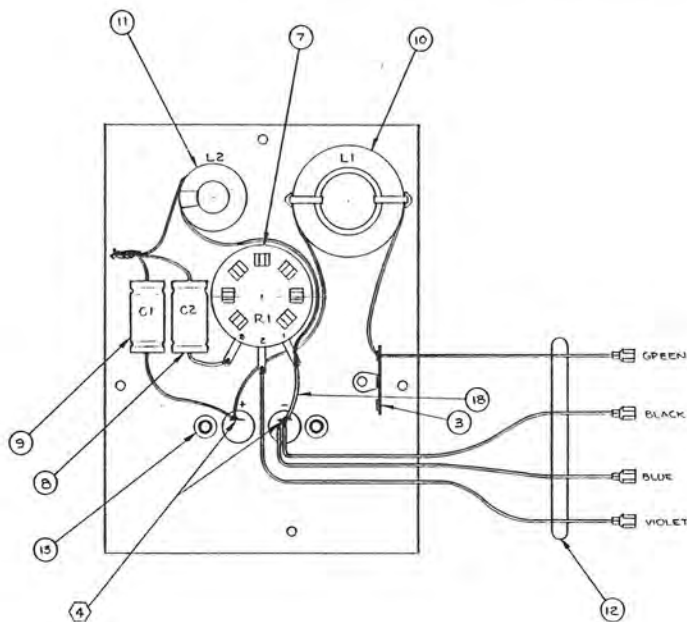
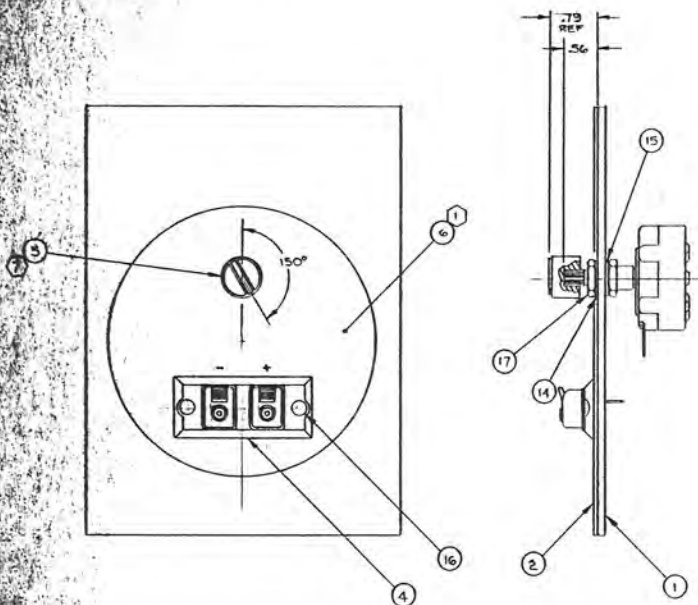
REV	DATE	BY	CHKD	APP'D
1	6-5-79	...	...	...
2	6-23-79	...	...	...

TITLE: CROSSOVER ASSEMBLY  
 MODEL: PS-5A  
 DIMENSIONAL TOLERANCES UNLESS OTHERWISE SPECIFIED: DECIMAL .005  
 ANGULAR ±1°  
 FRACTIONS 1/32

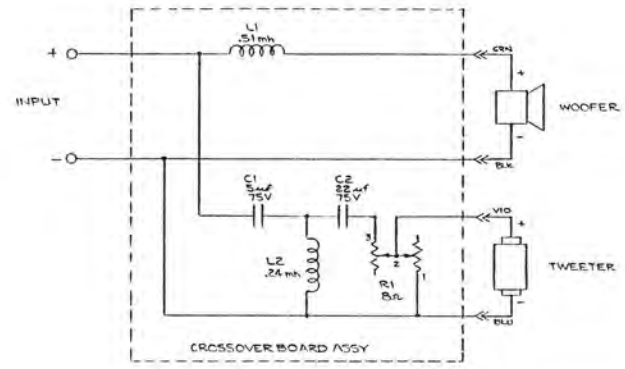
-39-

REVISIONS

REV	DESCRIPTION	EOO #	DAWN	DATE	PREP
-----	-------------	-------	------	------	------



- NOTES:
- APPLY (6) TO (1) PRIOR TO APPLYING (2) TO (1).
  - ATTACH (5), (8), (9), (13) AND (11) TO (1) USING (10).
  - USING (14), SOLDER ALL CONNECTIONS THAT DO NOT REQUIRE TERMINAL LUGS.
  - SEAL TERMINALS AWAY FROM EDGE OF HOLES IN BOARD TO PREVENT CONTACT WITH METALLIC FOIL.
  - ALL CAPACITANCE VALUES ARE IN MICROFARADS, ± 10% TOL. ± 10% D.P. @ 1000Hz.
  - ALL INDUCTANCE VALUES ARE IN MILLIHENRYS, ± 5%.
  - ROTATE SHFT OF (7) TO MAXIMUM CLOCKWISE POSITION PRIOR TO INSTALLING (3) WITH SLOT AND WHITE DOT IN ORIENTATION SHOWN.

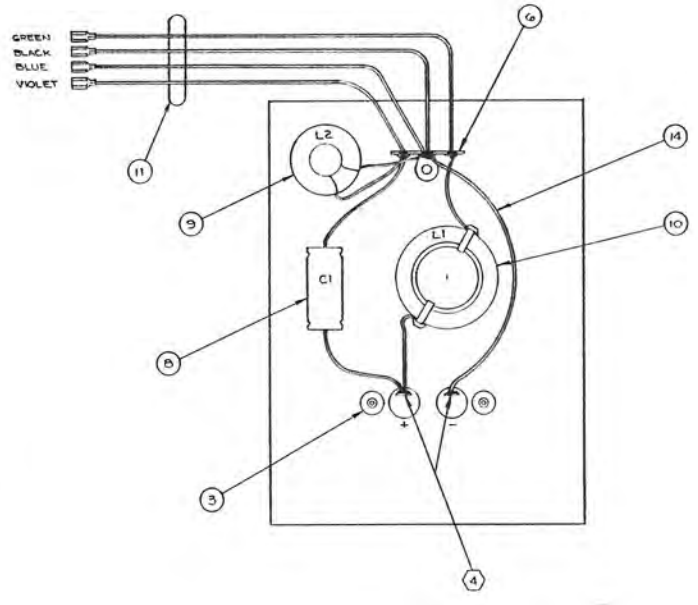
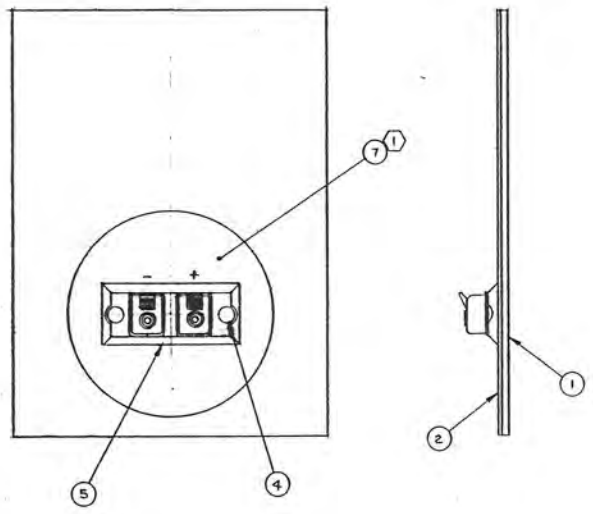


ITEM	QTY	PART NO.	DESCRIPTION
20	AR	910-0025	SOLDER, MULTICORE
19	AR	151-0041	ADHESIVE
18	1	762-0002	WIRE, ED AWG, 1.00 LG.
17	1	240-0011	NUT, HEX, DRESS
16	2	221-0025	RIVET, BLK.
15	1	215-0055	WASHER, LOCK
14	1	215-0058	WASHER, FLAT
13	2	215-0051	WASHER, FLAT
12	1	702-1044	WIRE HARNESS
11	1	334-3007	COIL, .24 MH.
10	1	334-1050	COIL, .51MH.
9	1	316-0057	CAPACITOR, 5.4µF, 75V NP
8	1	316-0051	CAPACITOR, 22µF, 75V NP
7	1	550-0008	CONTROL, B.S.L. PAD.
6	1	276-1535	NAMEPLATE, PS-8A
5	1	445-2001	KNOB
4	1	484-0051	TERMINAL PUSH, 2 POS.
3	1	480-0005	TERMINAL STRIP, 3 POS.
2	1	417-1208	GASKET, CROSSOVER
1	1	010-1107	CROSSOVER BOARD

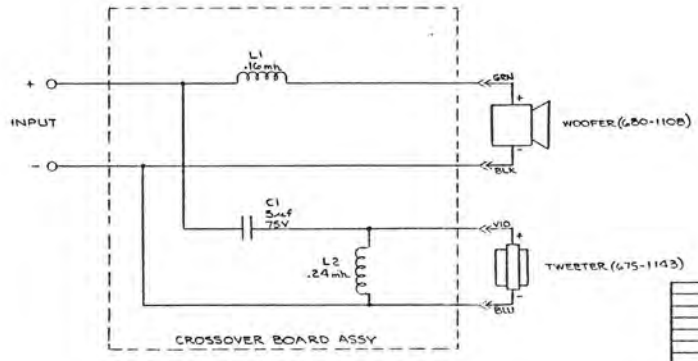
MATERIAL:		DATE: 6-6-79	
DESIGNED BY: B. SCUDDER		DRAWN BY: G. LE-11	
CHECKED BY: J. R. ...		DATE: 7-9-79	
PART NO: 935-1546		TITLE: CROSSOVER ASSEMBLY	
DESCRIPTION: SPEAKER ASSY		MODEL: PS-8A	
DIMENSIONAL TOLERANCES UNLESS OTHERWISE SPECIFIED:		SCALE: 1:1	
DECIMAL: .005		ANGULAR: ±1	
FRACTIONS: 1/16		OTHER: 695-1228	

REVISIONS

REV	DESCRIPTION	ECO #	DRAWN	DATE	APPROV
-----	-------------	-------	-------	------	--------



- NOTE:
- 1. APPLY (2) TO (1) PRIOR TO APPLYING (3) TO (1)
  - 2. ATTACH (2), (3), (4), AND (5) TO (1) USING (6)
  - 3. USING (7) SOLDER ALL CONNECTIONS THAT DO NOT REQUIRE TERMINAL LUGS.
  - 4. BEND TERMINALS AWAY FROM EDGE OF HOLES IN BOARD TO PREVENT CONTACT WITH METALLIC FOIL.
  - 5. ALL CAPACITANCE VALUES ARE IN MICROFARADS, ± 10% TOL. ± 10% DF. @ 1000 Hz.
  - 6. ALL INDUCTANCE VALUES ARE IN MILLIHENRYS, ± 5%.



ITEM	QTY	PART NO.	DESCRIPTION
14	1	762-0002	WIRE, ZONING, 5.00 LB
13	AR	310-0029	SOLDER, MULTICORE
12	AR	151-0041	ADHESIVE
11	1	702-1094	WIRE HARNESS
10	1	354-1032	COIL, .16 mh
9	1	354-3007	COIL, .24 mh
8	1	314-0057	CAPACITOR, 5.4 μf 75VDR
7	1	276-1556	NAMEPLATE PS-9A
6	1	480-0008	TERMINAL STRIP, 3POS.
5	1	484-0031	TERMINAL, PUSH, 2 POS.
4	2	221-0025	RIVET, BLK
3	2	215-0051	WASHER, PLAT
2	1	417-1201	GASKET
1	1	010-2814	CROSSOVER BOARD

MATERIAL		DATE		
EXCLUDE		6-8-79		
DATE		6-25-79		TITLE <b>CROSSOVER ASSEMBLY</b>
DATE		7-9-79		
SCALE		1/1		MODEL <b>PS-9A</b>
DIMENSIONAL TOLERANCES UNLESS OTHERWISE SPECIFIED				
DECIMAL		XX - 0.010		PART NO. <b>6-95-1229</b>
FRACTIONS		1/16		

41

