

STEREO SELECTOR SWITCH

POSITION	FUNCTION
1. ———	BALANCE "A"
2. ———	BALANCE "B"
3. ———	MONOPHONIC RECORDS
4. ———	STEREO
5. ———	REVERSE STEREO
6. ———	CHANNEL "A"
7. ———	CHANNEL "B"

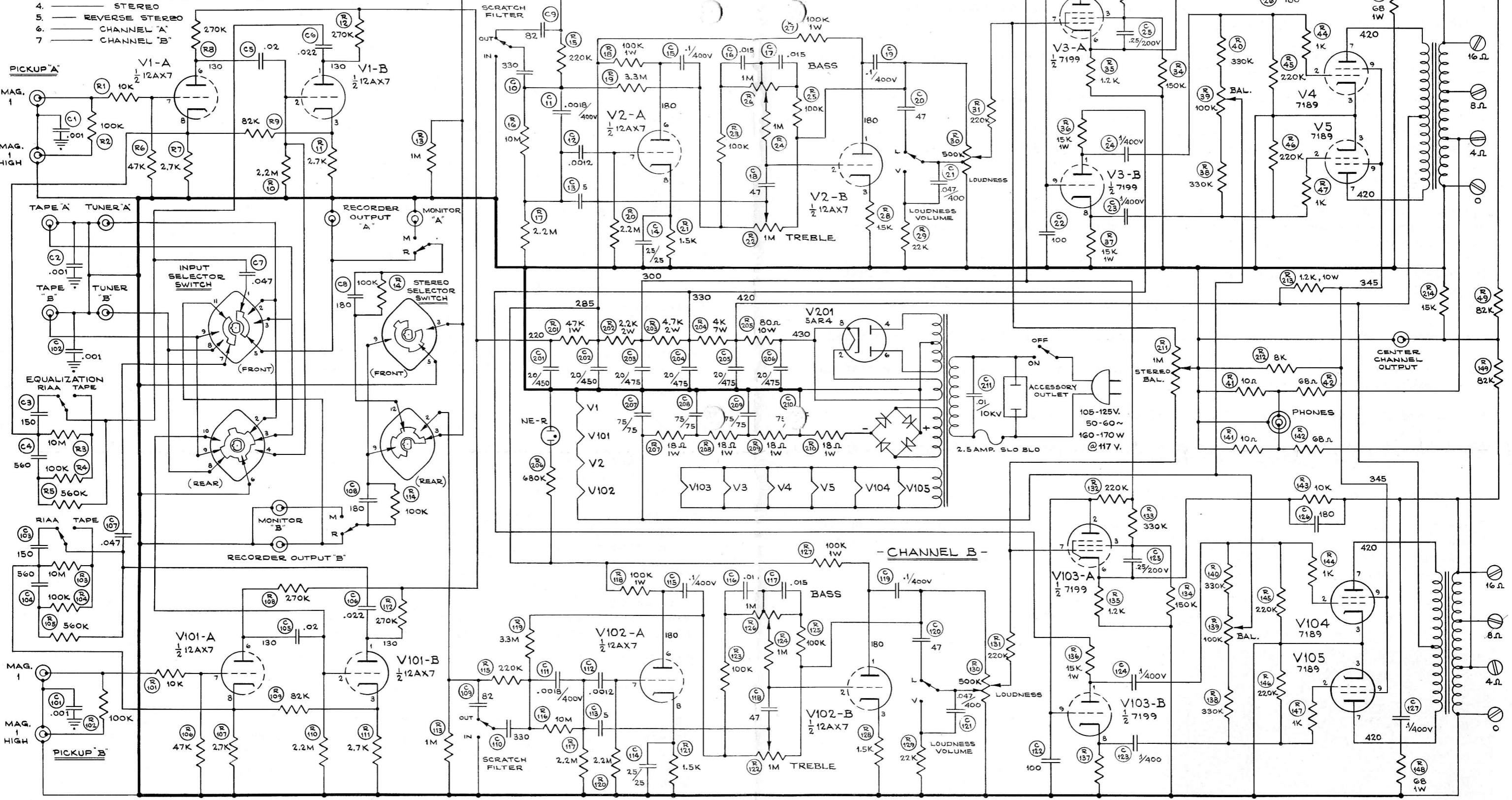
INPUT SELECTOR SWITCH

POSITION	FUNCTION
1. ———	PHONO
2. ———	TUNER
3. ———	EXTRA

EQUALIZATION SWITCH

POSITION	FUNCTION
1. ———	RIAA - NAB - ORTHO
2. ———	NAB TAPE

- CHANNEL A -



- CHANNEL B -

TYPE 222C STEREO AMPLIFIER

THE FOLLOWING CONTROLS IN CHANNEL "A" ARE MECHANICALLY GANGED WITH IDENTICAL CONTROLS IN CHANNEL "B".....

1. INPUT SELECTOR
2. EQUALIZATION
3. SCRATCH FILTER
4. LOUDNESS - VOLUME
5. LOUDNESS AND POWER SWITCH

REVISIONS

UNLESS OTHERWISE SPECIFIED	SCALE: ~	19 JULY 1961.
1. ALL VOLTAGES D.C. ± 15% MEASURED WITH V.T.V.M.	222C CIRCUIT DIAGRAM	
2. NO INPUT SIGNAL AND 117 VOLT LINE.	H. H. SCOTT, INC.	
3. SWITCHES SHOWN IN MAXIMUM C.C.W. POSITION.	MAYNARD, MASS., U.S.A.	
	DR. CASSIDY, ENG.	CH. [Signature]
	PRD.	
DWG. NO. D-222C-C1 SUB O		