

- INPUT SELECTOR**
- | | |
|----------|--------------------|
| POSITION | FUNCTION |
| 1 | PHONO |
| 2 | FM MONO |
| 3 | FM MONO, AUTOMATIC |
| 4 | SUB CH. FILTER |
| 5 | EXTRA |

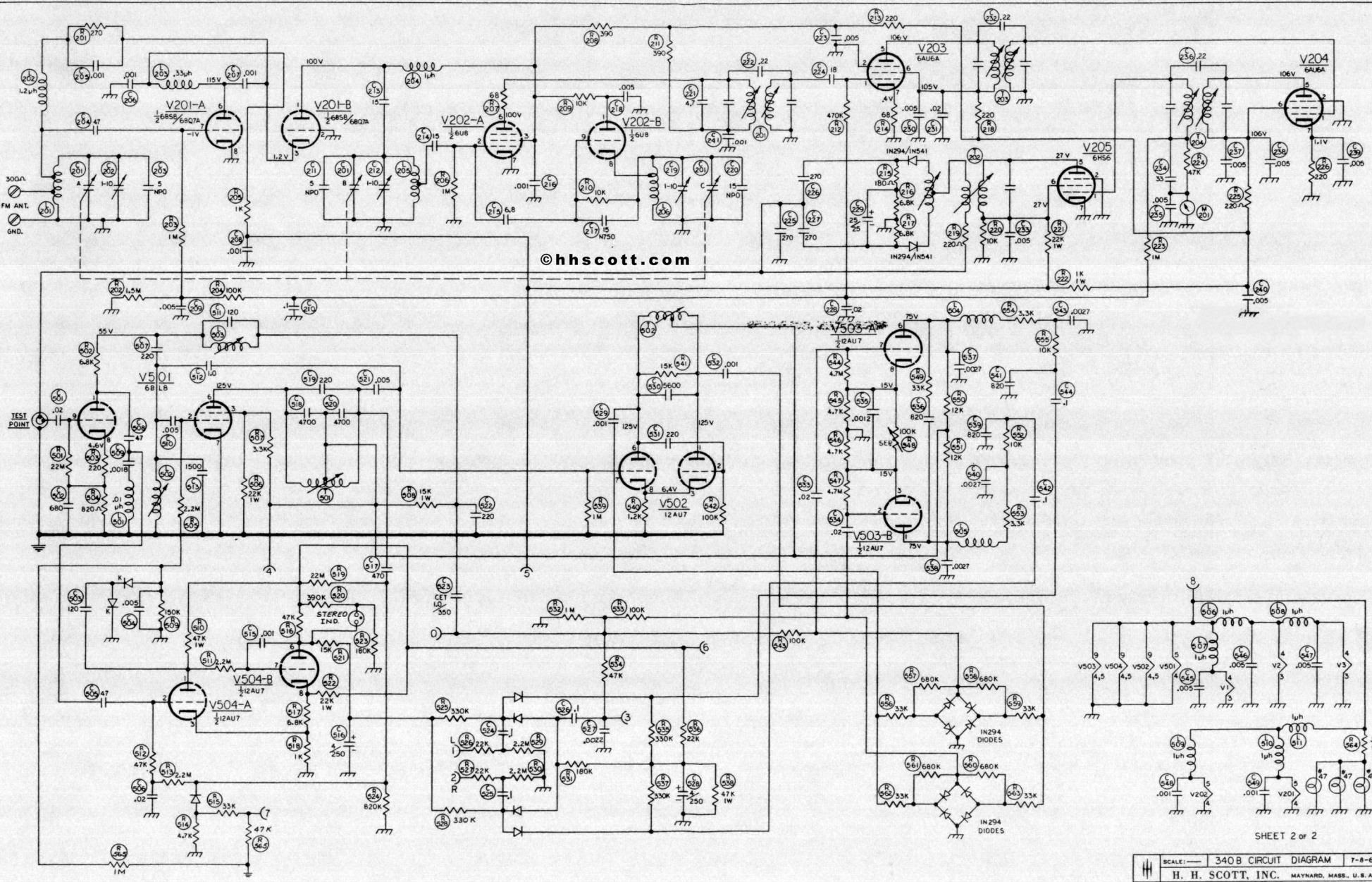
- STEREO SELECTOR**
- | | |
|----------|--------------------|
| POSITION | FUNCTION |
| 1 | BAL LEFT |
| 2 | BAL RIGHT |
| 3 | MONOPHONIC RECORDS |
| 4 | STEREO |
| 5 | REVERSE STEREO |
| 6 | LEFT INPUT |
| 7 | RIGHT INPUT |

- THE FOLLOWING CONTROLS IN "LEFT CHANNEL" ARE MECHANICALLY GANGED WITH IDENTICAL CONTROLS IN "RIGHT CHANNEL":**
- | | |
|---|-------------------|
| 1 | INPUT SELECTOR |
| 2 | RUMBLE FILTER |
| 3 | SCRATCH FILTER |
| 4 | VOLUME - LOUDNESS |
| 5 | LOUDNESS |
| 6 | TAPE MONITOR |

- NOTE:**
- 1 SWITCHES SHOWN IN MAX. CCW POSITION
 - 2 ALL RESISTORS 1/2W UNLESS NOTED
 - 3 ALL VOLTAGES DC ± 15% MEASURED WITH V.O.M.
 - 4 NO INPUT SIGNAL, AND 117V LINE
 - 5 * MATCHED RESISTORS

SHEET 1 OF 2

SCALE:	340B CIRCUIT DIAGRAM	7-17-63
H. H. SCOTT, INC. MAYNARD, MASS., U.S.A.		
DR. A. P. RAMOS	ENG. J. C.	DWG. NO. D-340B-C1 SUB 0
CH.	PROD. SAC	



©hhscott.com

SHEET 2 of 2

SCALE: —	340 B CIRCUIT DIAGRAM	7-8-63
H. H. SCOTT, INC. MAYNARD, MASS., U. S. A.		
DR. A. P. RAMOS	ENG. <i>RC</i>	DWG. NO. D-340B-C1
CH.	PROD. <i>RAC</i>	SUB. O