

**STEREO SELECTOR SWITCH**

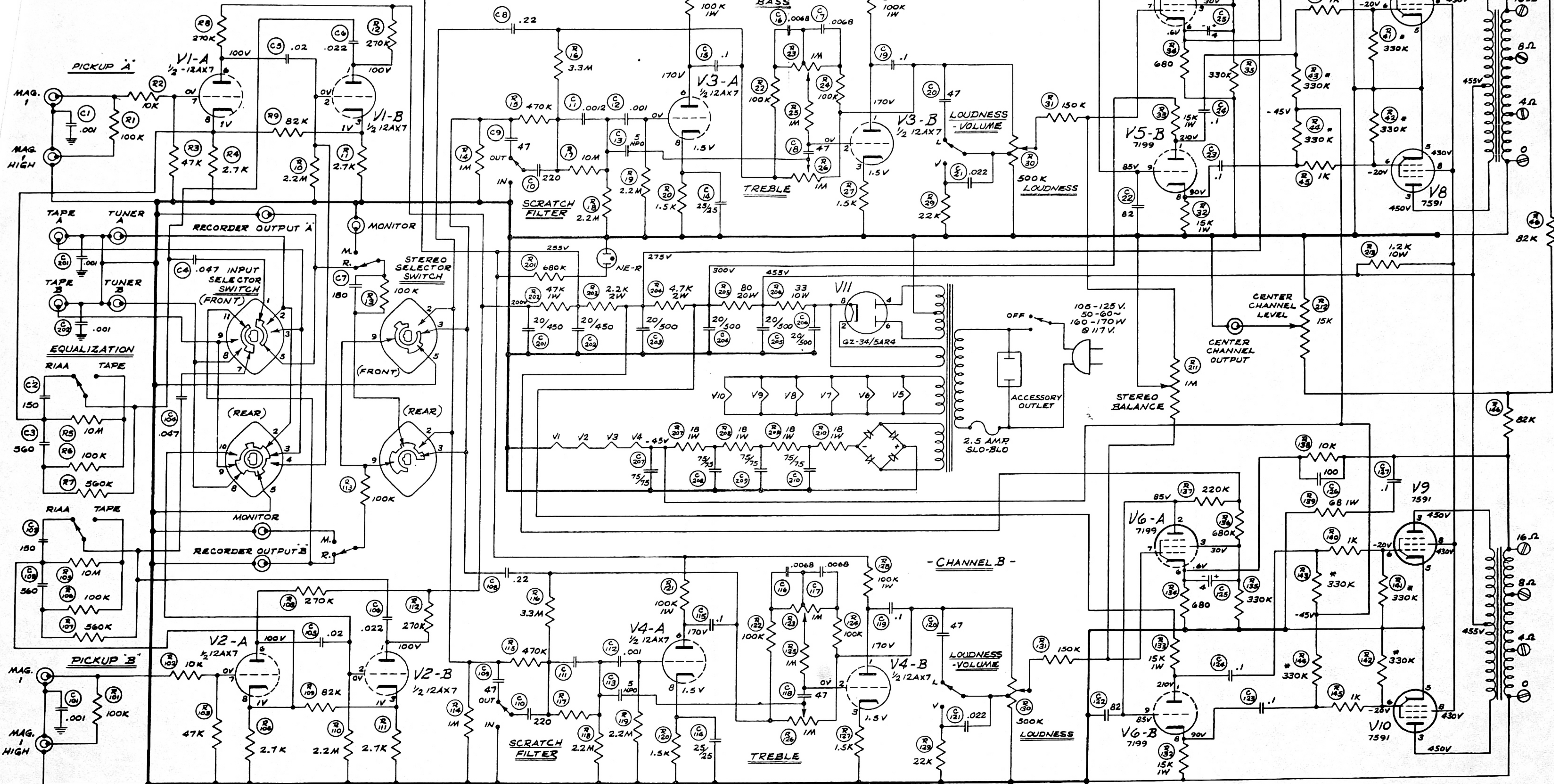
POSITION	FUNCTION
1	BALANCE A
2	BALANCE B
3	MONOPHONIC RECORDS
4	STEREO
5	REVERSE STEREO
6	CHANNEL A
7	CHANNEL B

**INPUT SELECTOR SWITCH**

POSITION	FUNCTION
1	PHONO
2	TUNER
3	EXTRA

**EQUALIZATION SWITCH**

POSITION	FUNCTION
1	RIAA - NARTB - ORTHO
2	NARTB - TAPE



THE FOLLOWING CONTROLS IN CHANNEL 'A' ARE MECHANICALLY GANGED WITH IDENTICAL CONTROLS IN CHANNEL 'B'....

1. INPUT SELECTOR
2. EQUALIZATION
3. SCRATCH FILTER
4. LOUDNESS-VOLUME
5. LOUDNESS and POWER SWITCH