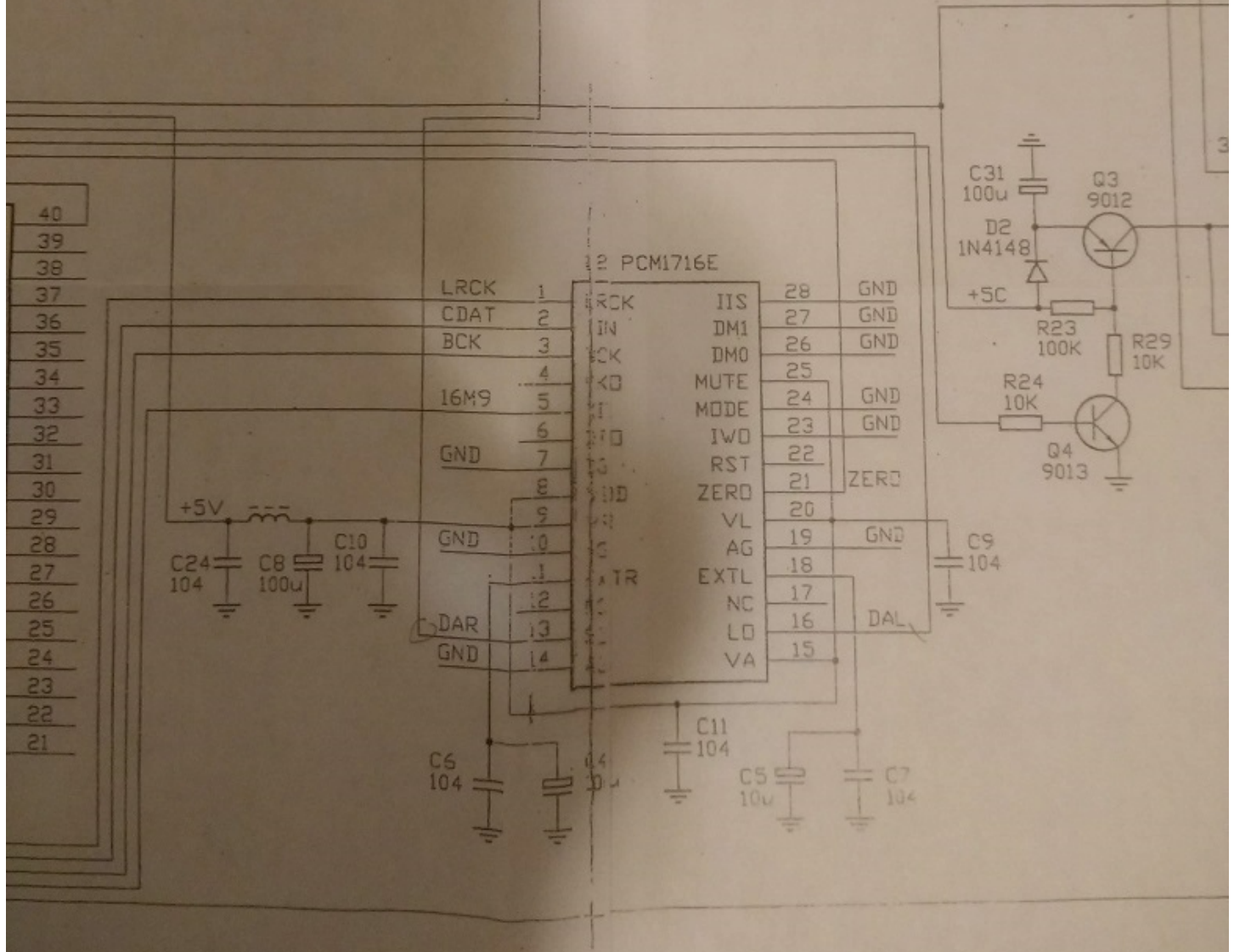
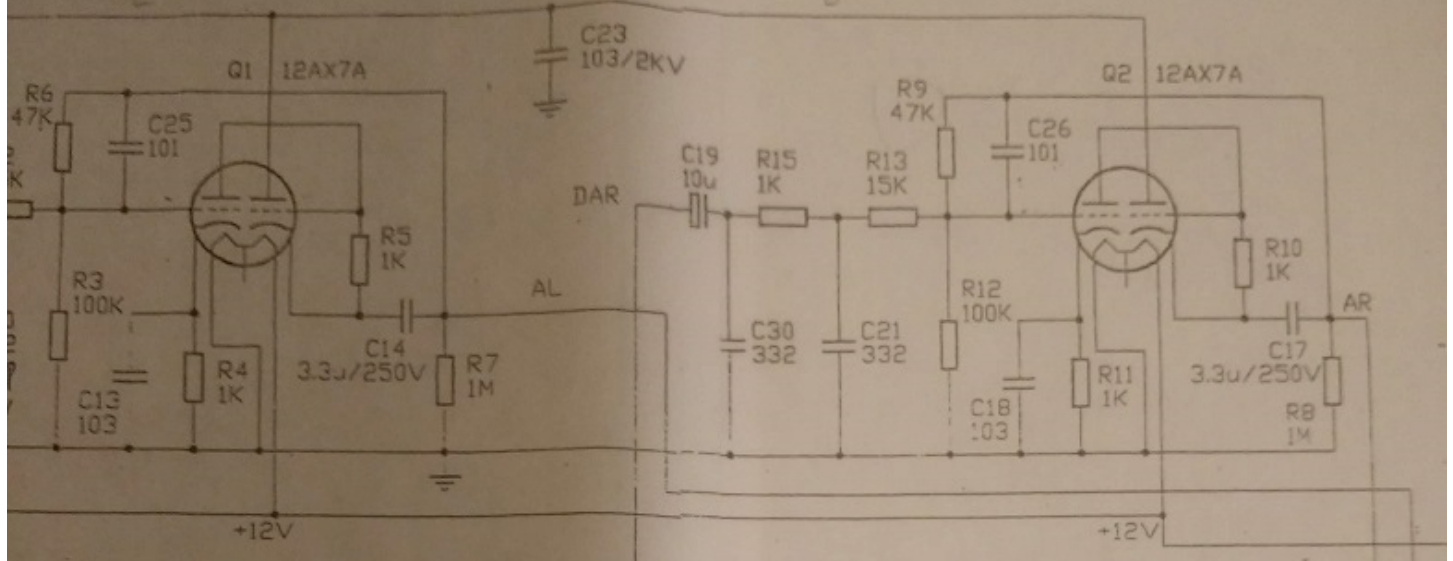


Jolida JD-100

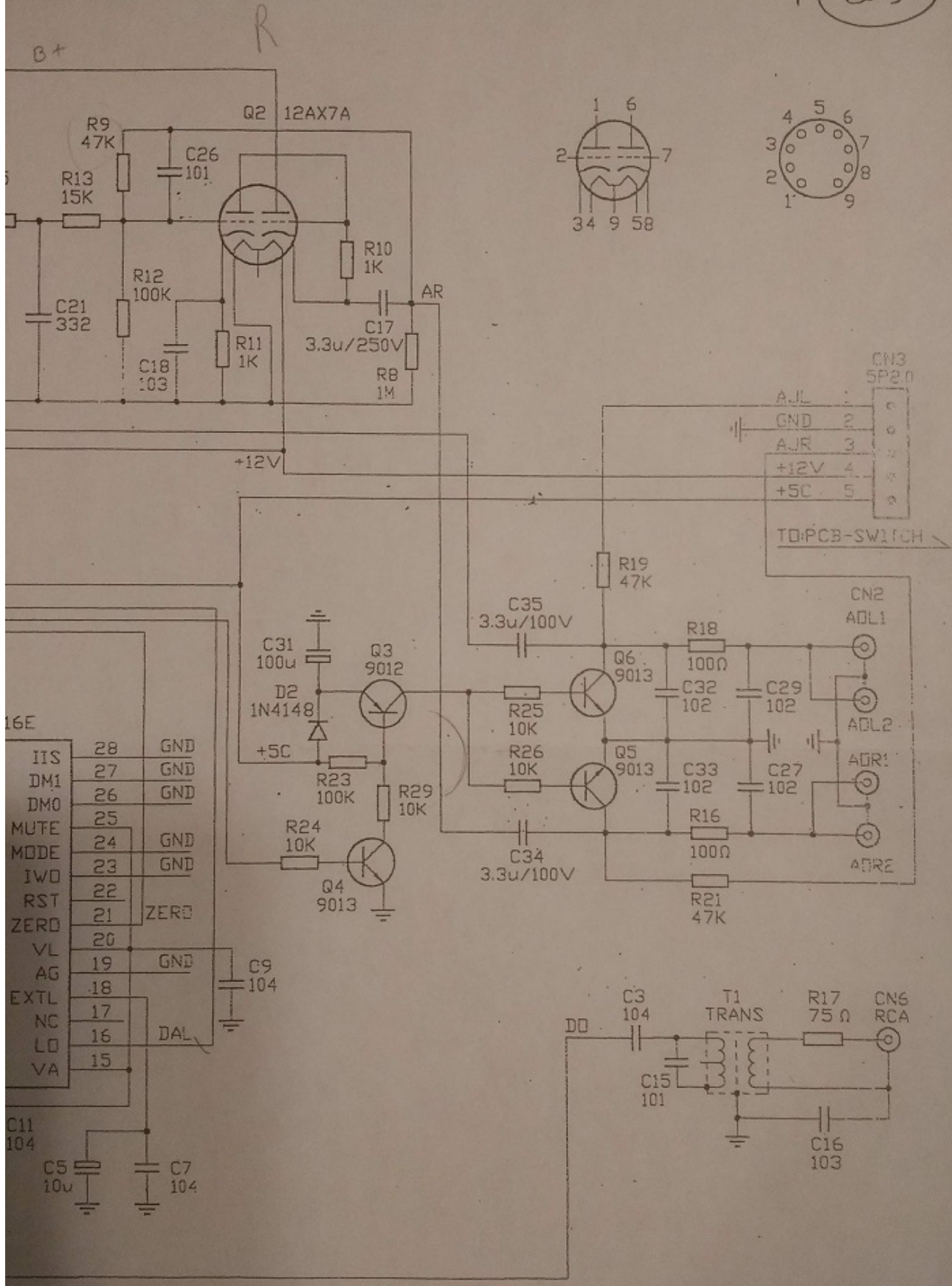
2A



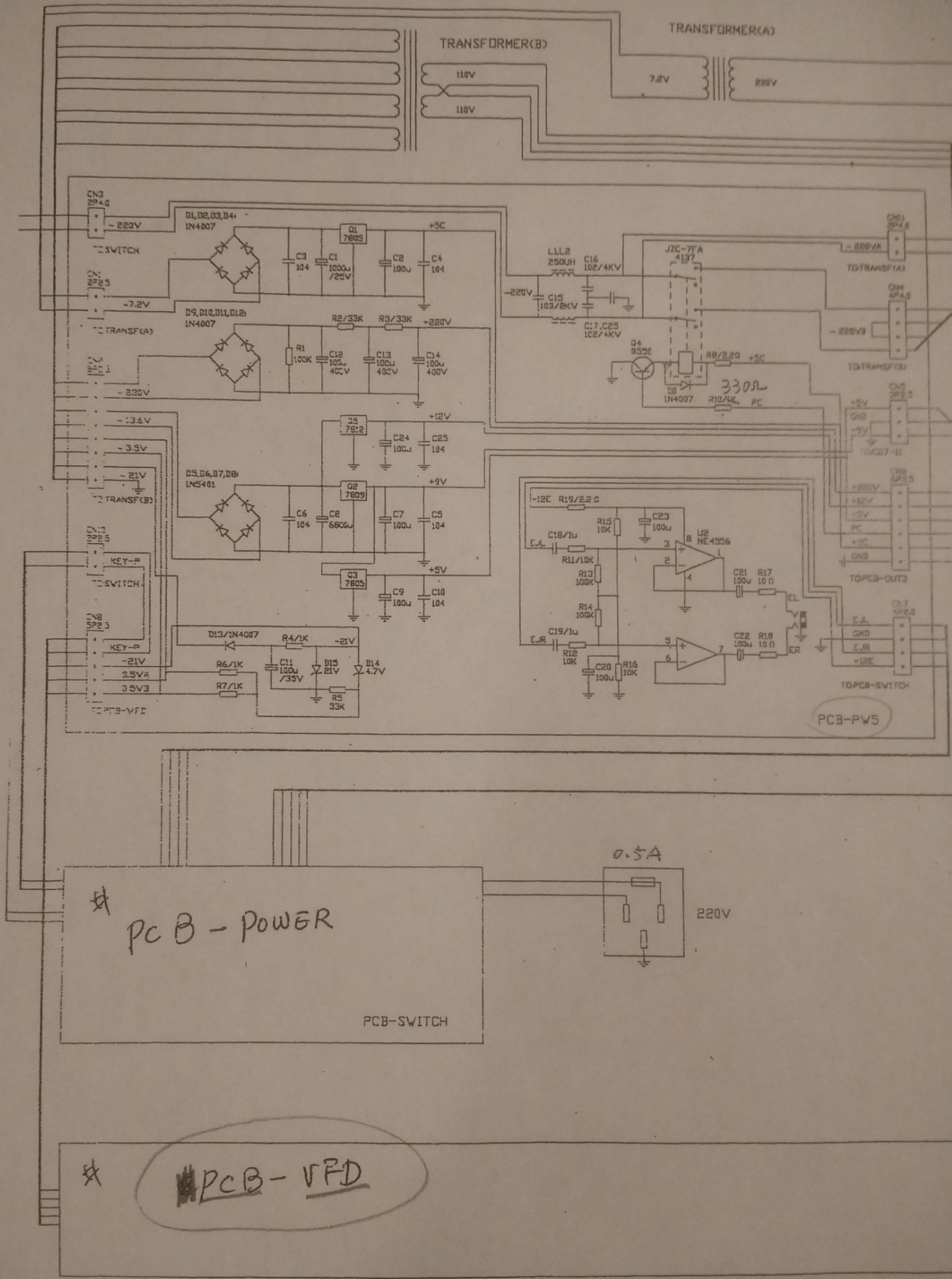
- 40
- 39
- 38
- 37
- 36
- 35
- 34
- 33
- 32
- 31
- 30
- 29
- 28
- 27
- 26
- 25
- 24
- 23
- 22
- 21

Jolida JD-100

2B



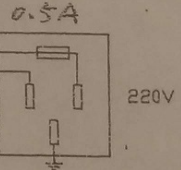
Jolida JD-100



PCB - POWER

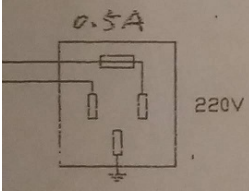
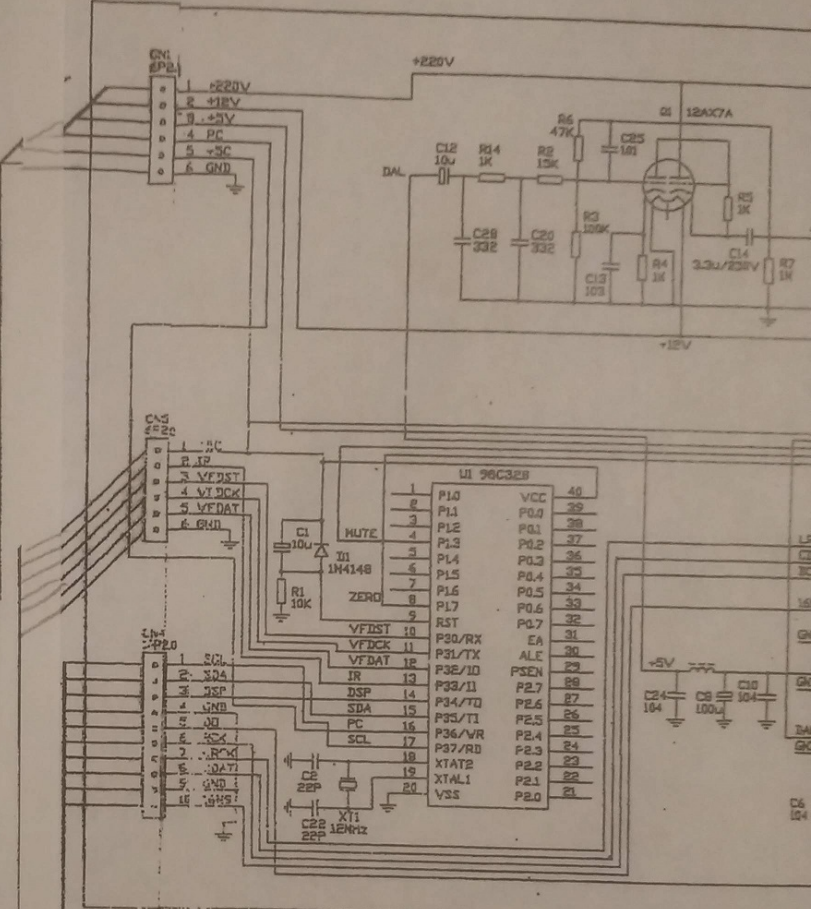
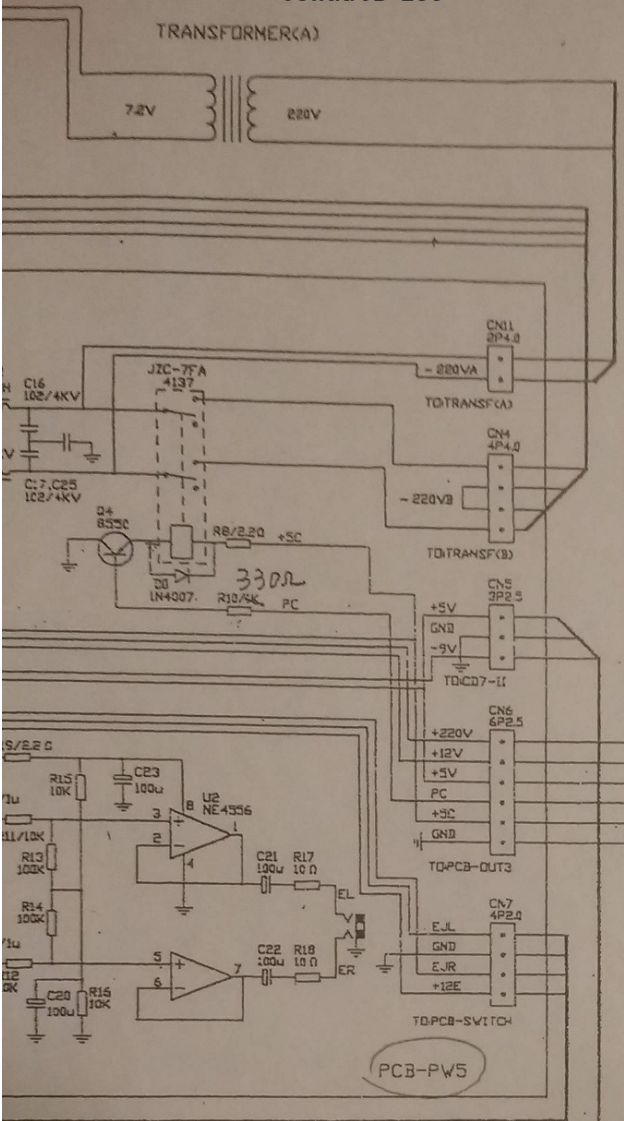
PCB-SWITCH

PCB - VFD



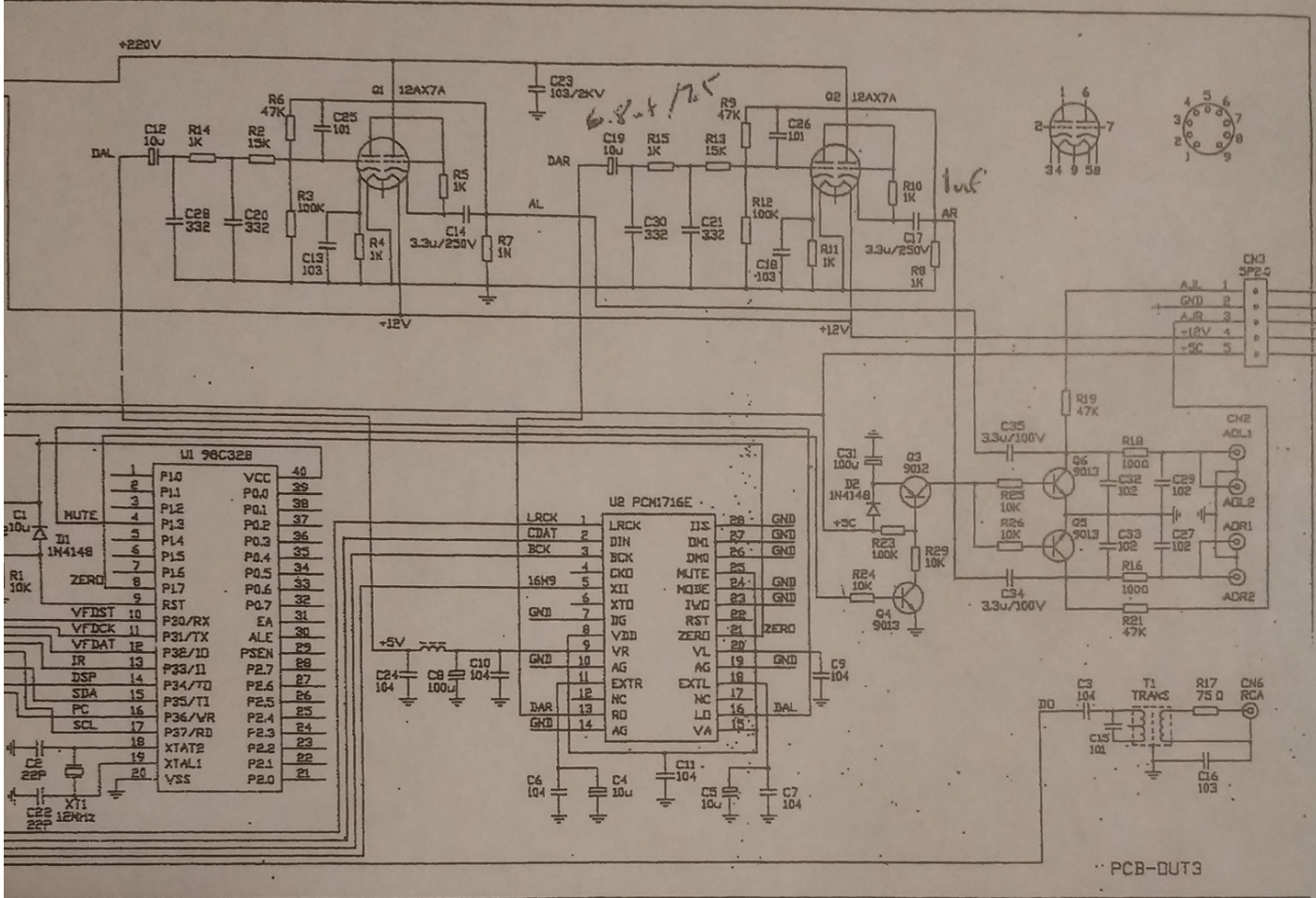
Jolida JD-100

CD-100

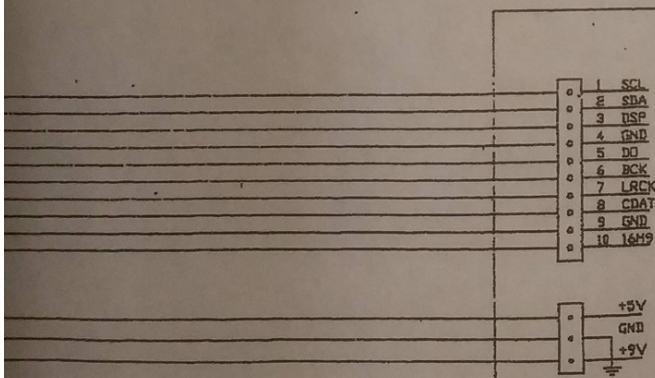


PCB-VFD

CD-100



PCB-OUT3



PCB-CD7-II