

SERVICE MANUAL

marantz®

model SM500DC

Stereo Power Amplifier

MARANTZ DESIGN AND SERVICE

Using superior design and selected high grade components, MARANTZ Company has created the ultimate in stereo sound. Only original MARANTZ parts can insure that your MARANTZ product will continue to perform to the specifications for which it is famous.

Parts for your MARANTZ stereo are generally available within 72 hours throughout the nation via a toll-free line to our National Parts Depot in California. The sales professionals who take your call immediately refer to their own desk top computer terminal and can quickly determine the availability and price information you require. If for some reason, your order should exceed our available stock, we usually can instantly provide an alternate replacement part or current delivery information. When the order is placed and confirmed, the computer simultaneously generates "hard copy" orders at the distribution center. As hard copies come directly from the computer to the national parts depot, your requested stock is assembled and prepared for shipment and placed on the first available carrier for delivery to you.

ORDERING PARTS

Phone orders will eliminate mail delays, and we encourage the use of this method. If you order by mail, use MARANTZ parts order forms which are available from our National Parts Depot located at the following address:

SUPERSCOPE NATIONAL PARTS DEPARTMENT
20525 Nordhoff Street
Chatsworth, California 91311
Phone: 1-800-423-5108
1-213-998-9333

The following information must be supplied to eliminate delays in processing your order:

1. Complete address.
2. Complete part numbers.
3. Complete description of parts.
4. Model number for which part is required (indicate MARANTZ).
5. Account number (for account customers only).

Direct consumers will be provided with the current retail price quotation on available parts in order to advise them of the cost of the parts and shipping.

OVERSEAS PARTS ORDERING

Parts may also be ordered from the following overseas addresses:

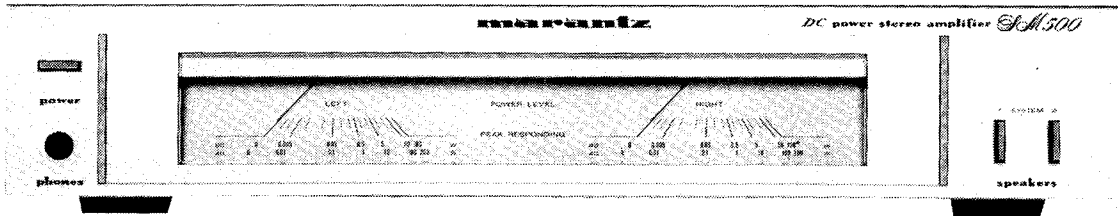
U.S.A.	CANADA	AUSTRALIA	JAPAN
Marantz Company, Inc. National Service Dept. P.O. Box 577 Chatsworth, CA91311 U.S.A.	Superscope Canada, Ltd. 3710 Nashua Drive Mississauga Ontario, Canada L4V1M5	Marantz Australia 32 Cross Street Brookvale, NSW 2100 Australia	Marantz Japan, Inc. 3622 Kamitsuruma Sagamihara-shi Kanagawa, Japan
EUROPE			
Marantz Europe S.A. 326 Avenue Louise Bte 32 1050 Brussels Belgium	Marantz France 4 rue Bernard Palissy 92600 Asnieres France	Marantz Audio U.K., Ltd. 193 London Road Staines, Middlesex United Kingdom	Marantz Germany GMBH Max-Planck-Strasse 22 6072 Dreieich West Germany
Marantz Belgium 45 rue Auguste Van Zande 1080 Brussels Belgium	Marantz Svenska A.B. Franzengatan 6 10425 Stockholm Sweden	Marantz Norske A.S. Refstadalleen 13 Oslo 5 Norway	

All of the above locations are fully equipped to take care of your total service needs. Because various countries have differing configuration requirements, it is necessary that you contact the service facility in your particular country. In the event that there is no service location listed for your country, please contact the nearest facility for the necessary assistance.

TABLE OF CONTENTS

SECTION	PAGE
1. INTRODUCTION	1
2. P.W. BOARD	1
3. BLOCK DIAGRAM	1
4. TEST EQUIPMENT REQUIRED FOR SERVICING	2
5. ALIGNMENT PROCEDURES	2
5.1 Idling Current Alignment Procedure	2
5.2 Power Meter Alignment Procedure	2
6. DIAGRAM AND COMPONENT LOCATIONS	3
6.1 Main Amp & Power Supply Assembly (P700) Schematic Diagram and Component Locations	3
6.2 Speaker Switch Assembly (PS00) Schematic Diagram and Component Locations	5
6.3 Headphone Assembly (PW00) Schematic Diagram and Component Locations	5
6.4 Lamp Assembly (PZ00) Schematic Diagram and Component Locations	5
7. EXPLODED VIEW AND PARTS LIST	6
8. ELECTRICAL PARTS LIST	12
9. VOLTAGE CONVERSION	14
10. TECHNICAL SPECIFICATIONS	15
11. SCHEMATIC DIAGRAM	16

MODEL SM500 DC STEREO POWER AMPLIFIER



1. INTRODUCTION

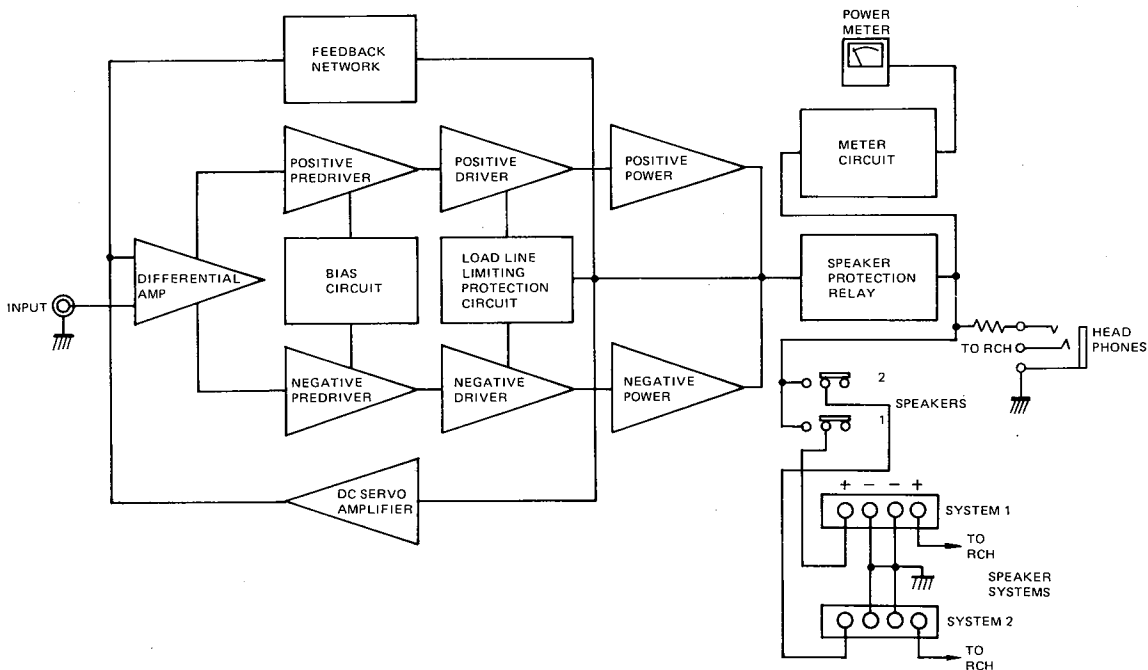
This service manual was prepared for use by Authorized Warranty Stations and contains service information for the Marantz Model SM500DC Stereo Power Amplifier. Servicing information and voltage data included in this manual are intended for use by knowledgeable and experienced personnel only. All instructions should be read carefully. No attempt should be made to proceed without a good understanding of circuitry operation. The parts list furnishes complete ordering information. Most replacement parts should be ordered from the Marantz Company. However, a simple description is included for parts which can be obtained locally.

2. P.W. BOARDS

As can be seen from the circuit diagram, the chassis of Model SM500DC consists of the following units. Each unit mounted on a printed circuit board is described within the square enclosed by a bold dotted line on the circuit diagram.

1. Main Amp & Power Supply mounted on P.W. Board P700
2. Speaker Switch mounted on P.W. Board PS00
3. Head Phone mounted on P.W. Board PW00
4. Lamp mounted on P.W. Board PZ00

3. BLOCK DIAGRAM



4. TEST EQUIPMENT REQUIRED FOR SERVICING

This table lists the test equipment required for servicing for the Model SM500DC Stereo Power Amplifier.

Item	Manufacturer and Model No.	Use
Distortion Analyzer Audio Oscillator AC Voltmeter	Sound Technology Model 1700B	Distortion Measurements Sinewave and squarewave signal source voltage measurements (AC)
Oscilloscope	Tektronix Model T932 Philips Model 3232	Waveform analysis and trouble shooting and ASO alignment
Circuit Tester		Trouble shooting
DC Voltmeter	Fluke Model 8000 "Digital" Simpson Model 313, Triplet Model 801	Voltage measurements (DC)
AC Wattmeter	Simpson Model 1379	Monitors primary power to amplifier
AC Ammeter	Commercial Grade (1 ~ 10 A)	Monitors amplifier output under short circuit condition
Line Voltmeter	Simpson Model 1359	Monitors potential of primary power to amplifier
Variable Autotransformer	Superior Electronic Co., Powerstet Model 116B-10A	Adjusts level of primary power to amplifier
Shorting Plug	Use phono plug with 600 ohm across center pin and shell	Shorts amplifier input to eliminate noise pickup
Output Load (8 ohms, $\pm 0.5\%$ 100 W)	Commercial Grade	Provides 8-ohm load for amplifier output termination
Output Load (4 ohms, $\pm 0.5\%$ 100 W)	Commercial Grade	Provides 4-ohm load for amplifier output termination
Output Load Capacitor (0.5 mfd)	Mylar	Provides capacitive load for instability checks
AC Power Control Box	Optional Item. Fabricate in accordance with Figure 1	Monitors and controls primary power for amplifier
Amplifier Output Load Box	Optional Item. Fabricate in accordance with Figure 2	Provides various amplifier loads and can monitor shorted output

5. ALIGNMENT PROCEDURES

5.1 Idling Current Alignment Procedure

Where to be adjusted: R733 and R734
Adjusted value: 20 mV (20 mA ea.)

Procedure

- 1 With the input of the set placed in Open, set the power switch to ON.
- 2 Adjust semi-fixed resistance, R733 and R734, so that the voltage of both the ends of R741 and R742 may become 20 mV after 10 seconds.

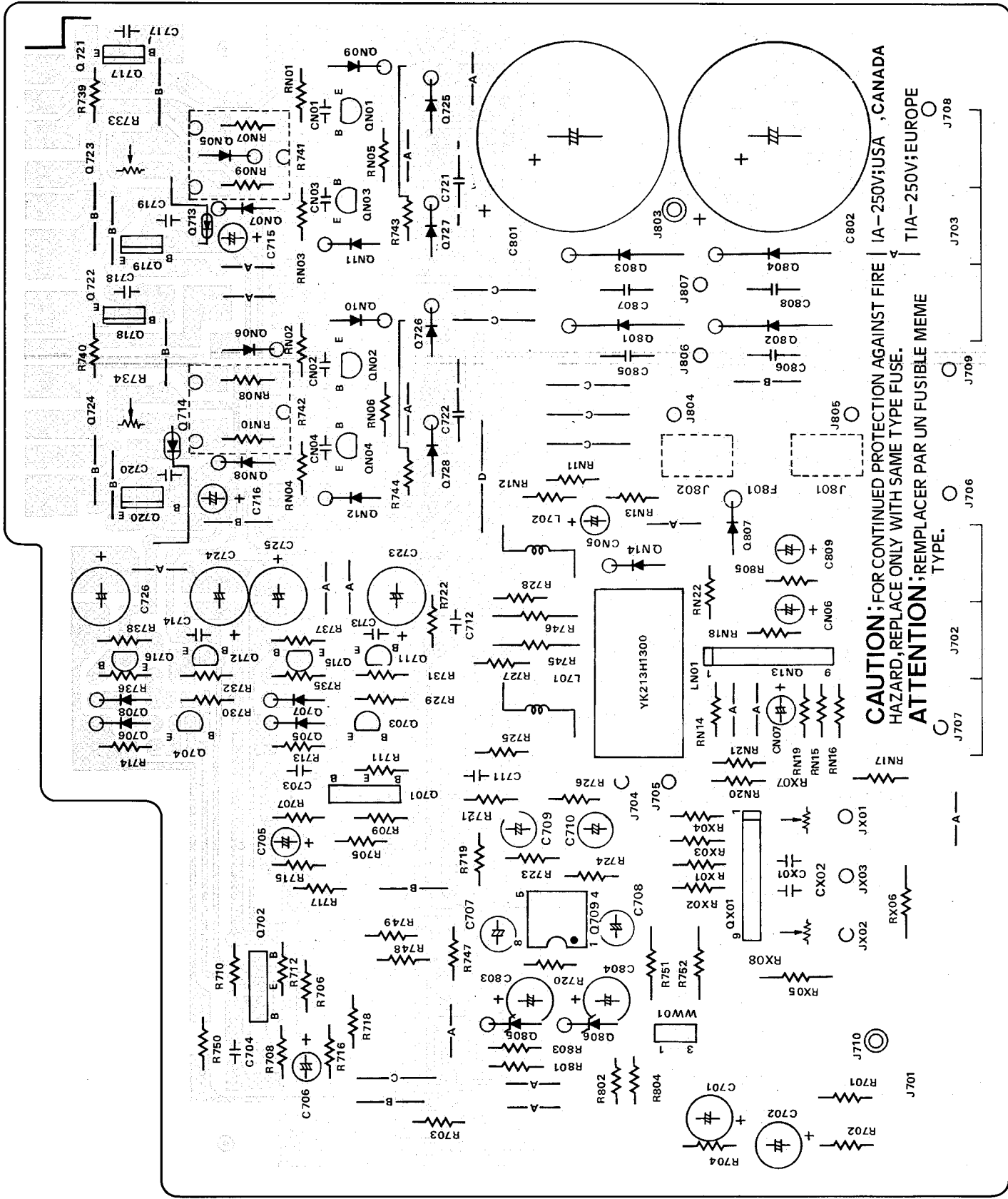
5.2 Power Meter Alignment Procedure

Where to be adjusted

L channel. RX74
R channel RX08

Procedure

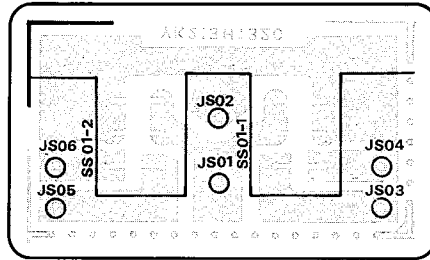
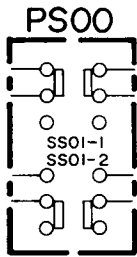
- 1 Connect the load resistance 8Ω to the speaker terminal of the set.
- 2 Connect the 1 KHz from SG to input.
- 3 Set the power switch of the set to ON, increase the SG output, and adjust the speaker output to become $50W - 8\Omega$ (20V).
- 4 Adjust RX07 and RX08 so that the meter may indicate $50W$ (8Ω).



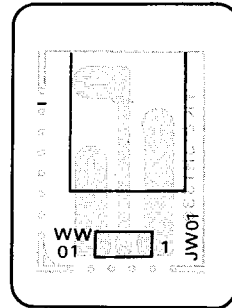
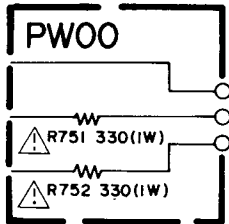
CAUTION; FOR CONTINUED PROTECTION AGAINST FIRE HAZARD, REPLACE ONLY WITH SAME TYPE FUSE.
ATTENTION; REMPLACER PAR UN FUSIBLE MEME TYPE.

IA-250V;USA, CANADA
 TIA-250V;EUROPE

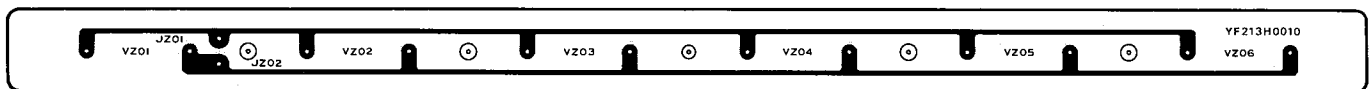
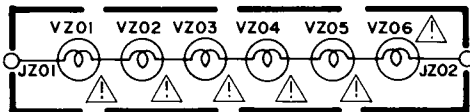
6.2 Speaker Switch Assembly (PS00) Schematic Diagram and Component Locations



6.3 Headphone Assembly (PW00) Schematic Diagram and Component Locations

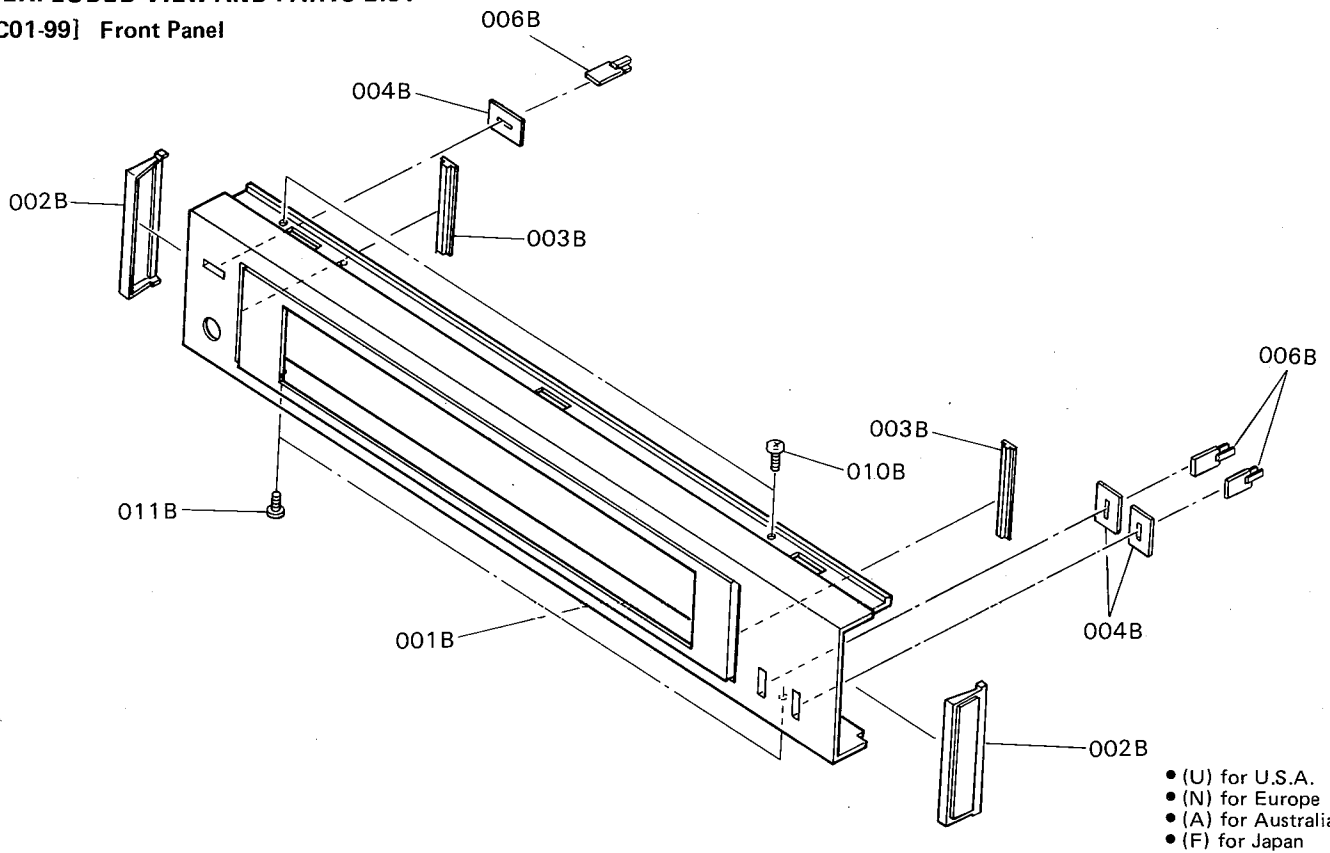


6.4 Lamp Assembly (PZ00) Schematic Diagram and Component Locations



7. EXPLODED VIEW AND PARTS LIST

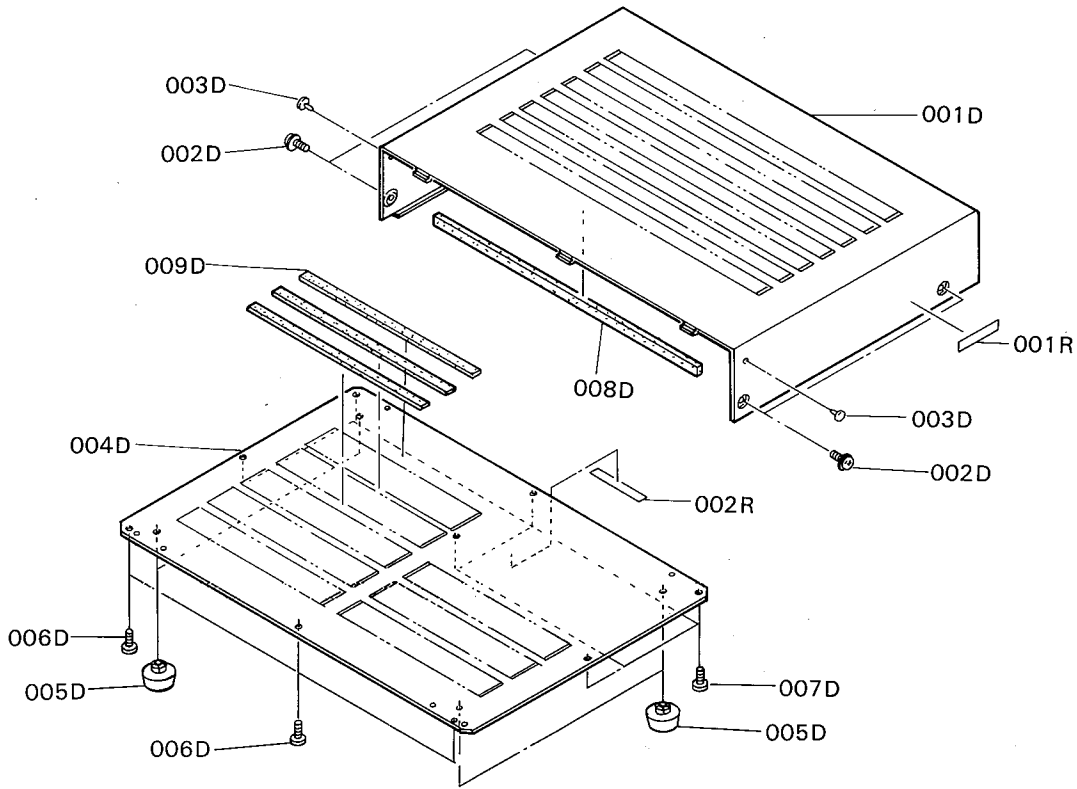
• [C01-99] Front Panel



REF. DESIG.	Q'TY				PART NO.	DESCRIPTION
	U	N	A	F		
A	1	1	1		123Z063400	Front Panel Assembly
A1				1	123Z063410	Front Panel Assembly
001B	1	1	1		123Z063010	Escutcheon, Front Panel
001B				1	123Z063110	Escutcheon, Front Panel
002B	2	2	2	2	403H067010	Cap
003B	2	2	2	2	403H063020	Escutcheon
004B	3	3	3	3	208H259010	Bushing, Push Switch

REF. DESIG.	Q'TY				PART NO.	DESCRIPTION
	U	N	A	F		
006B	3	3	3	3	208H154060	Knob, Push Switch
010B	2	2	2	2	51300306B0	P.H. Tapped Screw P3x6
011B	2	2	2	2	51300306B0	P.H. Tapped Screw P3x6

• [C02-99] Lid. (Top and Bottom Cover)

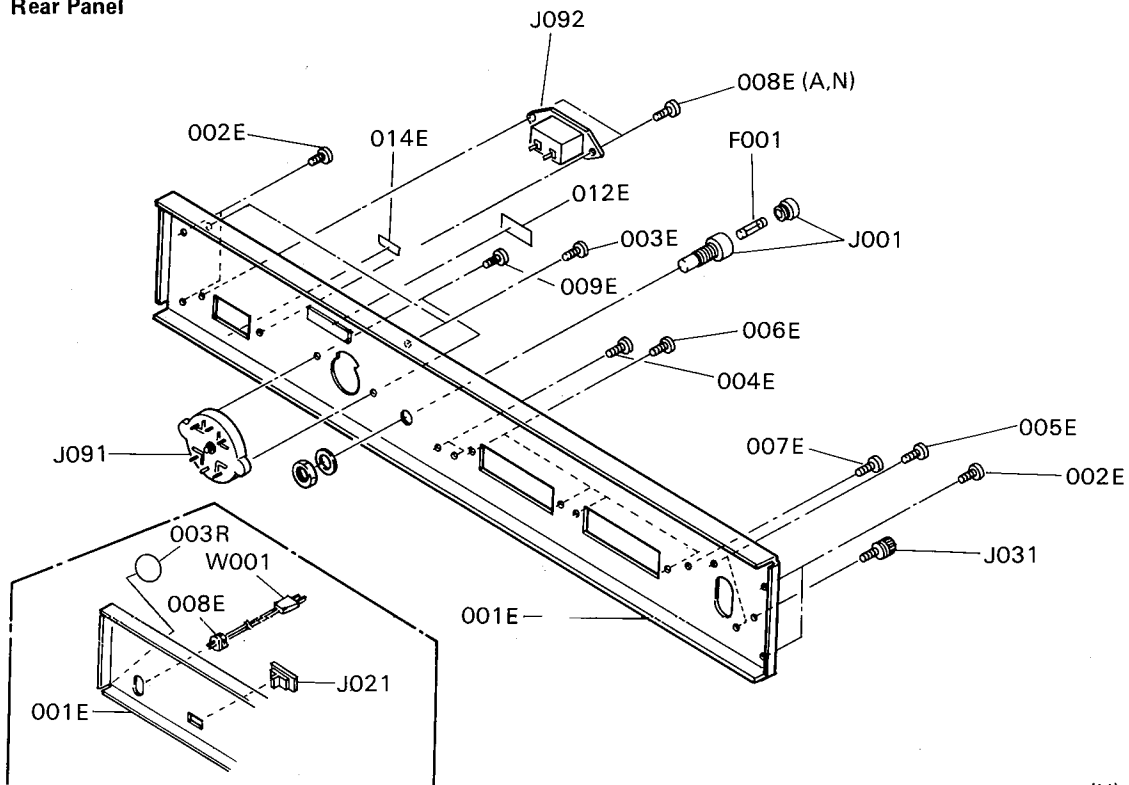


- (U) for U.S.A.
- (N) for Europe
- (A) for Australia
- (F) for Japan

REF. DESIG.	Q'TY				PART NO.	DESCRIPTION
	U	N	A	F		
001D	1	1	1	1	208H257010	Lid, Top Cover
002D	4				51260408Z0	B.T. Screw B4x8
002D	4	4	4		51260408U0	B.T. Screw B4x8
003D	2	2	2	2	2991259010	Bushing
004D	1	1	1	1	123Z257010	Lid, Bottom Cover
005D	4	4	4	4	403H057010	Leg
006D	3	3	3	3	51280308B0	B.H. Tapped Screw B3x8

REF. DESIG.	Q'TY				PART NO.	DESCRIPTION
	U	N	A	F		
007D	5	5	5	5	51280308B0	B.H. Tapped Screw B3x8
008D	1	1	1	1	213H118020	Spacer
009D	3	3	3	3	213H056020	Buffer
001R	1	1	1		2932861110	Label Top Cover
002R	1	1	1		2578861010	Label Bottom Cover

• [C03-99] Rear Panel



(U), (F) Version

- (U) for U.S.A.
- (N) for Europe
- (A) for Australia
- (F) for Japan

REF. DESIG.	Q'TY				PART NO.	DESCRIPTION
	U	N	A	F		
001E	1				123Z160010	Bracket Rear Panel
001E		1	1		123Z160020	Bracket "
001E				1	123Z160030	Bracket "
002E	4	4	4	4	51280308U0	B.H. Tapped Screw B3x8
003E	2	2	2	2	51280308U0	B.H. Tapped Screw B3x8
004E	2	2	2	2	51280308U0	B.H. Tapped Screw B3x8
005E	2	2	2	2	51280308U0	B.H. Tapped Screw B3x8
006E	4	4	4	4	51280308U0	B.H. Tapped Screw B3x8
007E	1	1	1	1	51704059B0	Spec. Set Screw
008E	1			1	1455259030	Bushing
008E		2	2		51420308T0	O.C.H. Tapped Screw O3x8
009E		2	2		51280308U0	B.H. Tapped Screw B3x8
012E	1	1	1	1	2112265010	Indicator
014E		1	1		4581861010	Label
003R	1				9511101070	Label UL

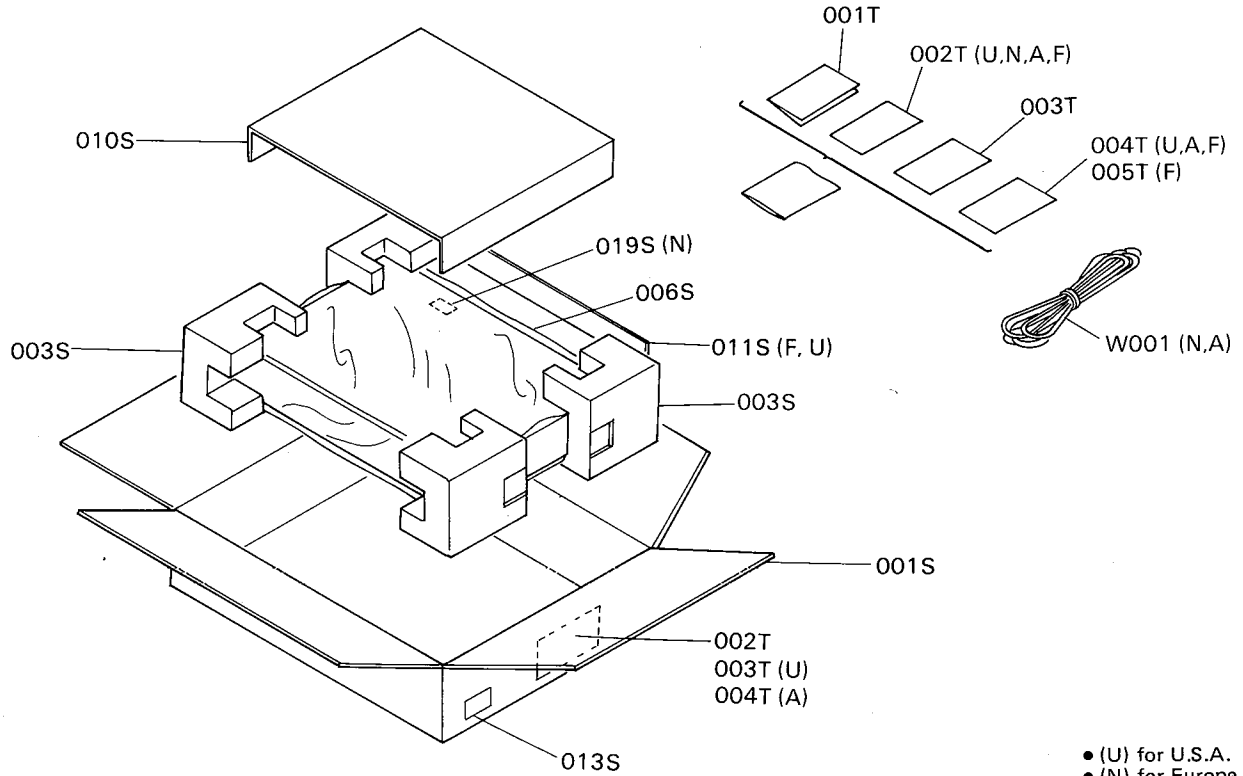
REF. DESIG.	Q'TY				PART NO.	DESCRIPTION
	U	N	A	F		
F001	1				FS10400500	Fuse 4A 250V
F001		1	1		FS10200800	Fuse T2A 250V
F001				1	FS10400600	Fuse 4A 250V
J001	1				YJ08000310	Jack, Fuse Holder
J001		1	1		YJ08000290	Jack, Fuse Holder
J001				1	YJ08000300	Jack, Fuse Holder
J021	1			1	YJ04000560	Jack, AC Outlet
J031	1	1	1	1	YL03010250	Terminal, GND
J091	1	1			BY05080010	Voltage Selector
J092	1	1			YP04000590	Plug, Inlet
W001	1				YC01900070	A.C. Power Cord
W001		1			ZC01805030	A.C. Power Cord
W001			1		ZC02006030	A.C. Power Cord
W001				1	YC01800190	A.C. Power Cord

- (U) for U.S.A.
- (N) for Europe
- (A) for Australia
- (F) for Japan

REF. DESIG.	Q'TY				PART NO.	DESCRIPTION
	U	N	A	F		
010E		1	1		403H120010	Insulator
001F	1	1	1	1	123Z105010	Front Chassis
002F	4	4	4	4	51100306A9	B.H.M. Screw B3x6
003F	1	1	1	1	123Z160120	Bracket
004F	3	3	3	3	51280308B0	B.H. Tapped Screw B3x8
005F	1	1	1	1	213H274010	Reflector
008F	2	2	2	2	123Z160070	Bracket
009F	2	2	2	2	51280308B0	B.H. Tapped Screw B3x8
010F	3	3	3	3	213H056010	Buffer
011F	2	2	2	2	213H118010	Spacer
013F	1	1	1	1	123Z160100	Bracket
014F	4	4	4	4	51280308B0	B.H. Tapped Screw B3x8
015F	2	2	2	2	51280306B0	B.H. Tapped Screw B3x6
016F	1	1	1	1	2912259020	Bushing
001G	1	1	1	1	123Z160040	Bracket, Left
002G	1	1	1	1	123Z160050	Bracket, Right
003G	1	1	1	1	123Z160060	Bracket, Center
004G	4	4	4	4	51280306B0	B.H. Tapped Screw B3x6
005G	4	4	4	4	51280306B0	B.H. Tapped Screw B3x6
008G	1	1	1	1	123Z160110	Bracket
009G	4	4	4	4	51260408U0	B.T. Screw B4x8
010G	2	2	2	2	51280306B0	B.H. Tapped Screw B3x6
011G	2	2	2	2	51280306B0	B.H. Tapped Screw B3x6
012G	1	1	1	1	213H056030	Buffer

REF. DESIG.	Q'TY				PART NO.	DESCRIPTION
	U	N	A	F		
014G	1	1	1	1	123Z160090	Bracket
015G	2	2	2	2	51280306B0	B.H. Tapped Screw B3x6
016G	3	3	3	3	51260308B0	B.T. Screw B3x8
019G	1	1	1	1	123Z160080	Bracket
020G	2	2	2	2	51280306B0	B.H. Tapped Screw B3x6
021G	2	2	2	2	51280306B0	B.H. Tapped Screw B3x6
001L	1	1	1	1	123Z267010	Heat Sink
002L	3	3	3	3	51280306B0	B.H. Tapped Screw B3x6
003L	2	2	2	2	51100310A9	B.H. M. Screw B3x10
004L	4	4	4	4	51480310A9	F. Washer Screw F3x10
J701	1	1	1	1	YT02020210	Terminal
J702	1	1	1	1	YT03040190	Terminal
J703	1	1	1	1	YT03040190	Terminal
JW01	1	1	1	1	YJ01001400	Jack, Headphone
G001	1				DK18103530	Ceramic 0.01μF
G001		1	1		DK18103840	Ceramic 0.01μF
G001				1	DK18103850	Ceramic 0.01μF
L001	1				TS1961 7010	Power Transformer
L001		1	1		TS1961 7020	Power Transformer
L001				1	TS1961 7030	Power Transformer
M001	1	1	1	1	IM12255010	D.C. Meter
S001	1				SP01010420	Push Switch, Power
S001		1	1		SP01010390	Push Switch, Power
S001				1	SP01010430	Push Switch, Power

● [H01-99] Packing Materials



- (U) for U.S.A.
- (N) for Europe
- (A) for Australia
- (F) for Japan

REF. DESIG.	Q'TY				PART NO.	DESCRIPTION
	U	N	A	F		
001S	1				123Z801010	Packing Case
001S		1	1		123Z801020	Packing Case
001S				1	123Z801030	Packing Case
003S	2	2	2	2	001H809010	Cushion
006S	1	1	1	1	9090909040	Polyethylene Sheet
010S	1	1	1	1	2918107350	Sheet
011S	1			1	2918107390	Sheet
013S	2				9526019010	Serial No. Card
013S		4			9526019060	Serial No. Card
013S			4		9526019030	Serial No. Card
013S				4	9526019040	Serial No. Card
019S	1				2731821010	Silicagel

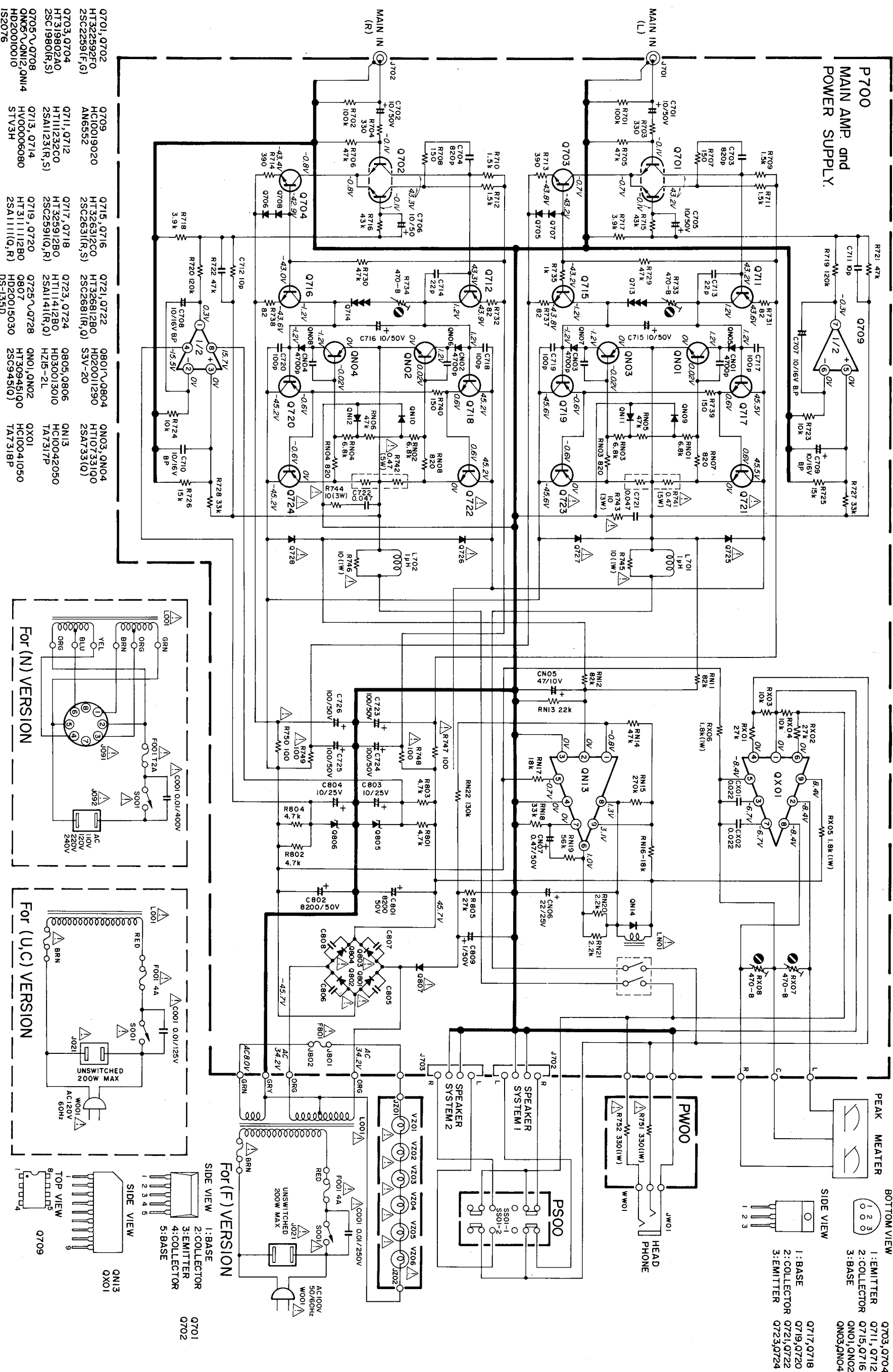
REF. DESIG.	Q'TY				PART NO.	DESCRIPTION
	U	N	A	F		
001T	1		1		125Z851010	Instructions
001T		1			125Z851310	Instructions
001T				1	125Z851110	Instructions
002T	1		1		123Z851020	Instructions
002T		1			123Z851320	Instructions
002T				1	9631000110	Guarantee Card
003T	1				2818854020	Guarantee Card
003T		1			123Z856010	Circuit Diagram
003T			1		2205851040	Instructions
003T				1	2976851040	Instructions
004T	1				2225813010	Envelope
004T			1		9631000090	Guarantee Card
004T				1	2976813020	Envelope
005T				1	9650000030	S. Station Card

- (U) for U.S.A.
- (N) for Europe
- (A) for Australia
- (F) for Japan

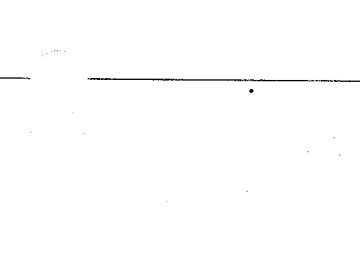
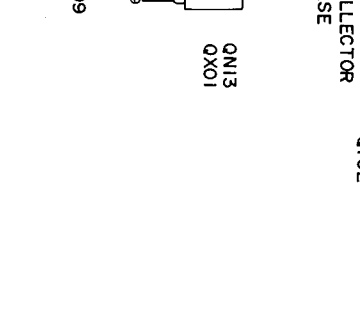
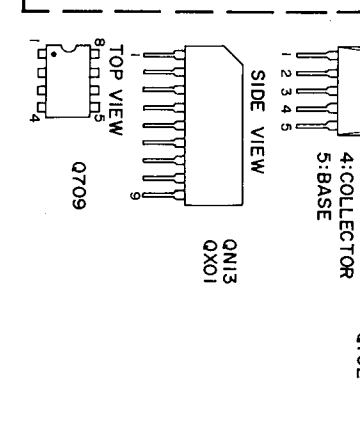
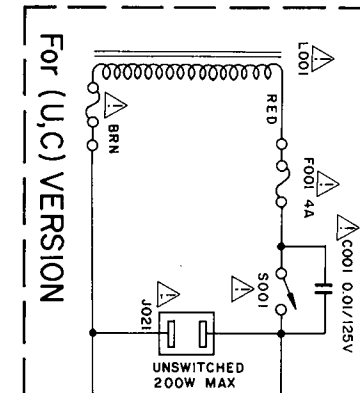
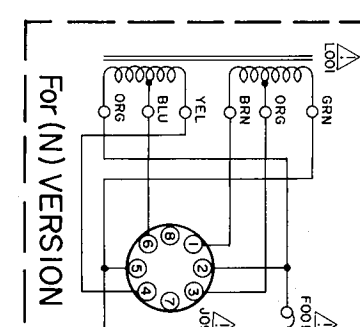
REF. DESIG.	Q'TY				PART NO.	DESCRIPTION
	U	N	A	F		
RN11	1	1	1	1	GD05823140	82kΩ
RN12	1	1	1	1	GD05823140	82kΩ
RN13	1	1	1	1	GD05223140	22kΩ
RN14	1	1	1	1	GD05473140	47kΩ
RN15	1	1	1	1	GD05274140	270kΩ
RN16	1	1	1	1	GD05183140	18kΩ
RN17	1	1	1	1	GD05183140	18kΩ
RN18	1	1	1	1	GD05333140	33kΩ
RN19	1	1	1	1	GD05563140	56kΩ
RN20	1	1	1	1	GD05222140	2.2kΩ
RN21	1	1	1	1	GD05222140	2.2kΩ
RN22	1	1	1	1	GD05134140	130kΩ
RX01	1	1	1	1	GD05273140	27kΩ
RX02	1	1	1	1	GD05273140	27kΩ
RX03	1	1	1	1	GD05103140	10kΩ
RX04	1	1	1	1	GD05103140	10kΩ
RX05	1	1	1	1	GA05182010	1.8kΩ 1W
RX06	1	1	1	1	GA05182010	1.8kΩ 1W
RX07	1	1	1	1	RA05010050	Trimming 470Ω (B)
RX08	1	1	1	1	RA05010050	Trimming 470Ω (B)
P700-SEMICONDUCTORS						
Q701	1	1	1	1	HT322592F0	Transistor 2SC2259(F, G)
Q702	1	1	1	1	HT322592F0	Transistor 2SC2259(F, G)
Q703	1	1	1	1	HT319802A0	Transistor 2SC1980(R, S)
Q704	1	1	1	1	HT319802A0	Transistor 2SC1980(R, S)
Q705	1	1	1	1	HD20010010	Diode 1S2076
Q706	1	1	1	1	HD20010010	Diode 1S2076
Q707	1	1	1	1	HD20010010	Diode 1S2076
Q708	1	1	1	1	HD20010010	Diode 1S2076
Q709	1	1	1	1	HC10019020	IC AN6552
Q711	1	1	1	1	HT111232C0	Transistor 2SA1123(R, S)
Q712	1	1	1	1	HT111232C0	Transistor 2SA1123(R, S)
Q713	1	1	1	1	HV00006080	Varistor STV-3H
Q714	1	1	1	1	HV00006080	Varistor STV-3H
Q715	1	1	1	1	HT326312C0	Transistor 2SC2631(R, S)
Q716	1	1	1	1	HT326312C0	Transistor 2SC2631(R, S)
Q717	1	1	1	1	HT325912B0	Transistor 2SC2591(Q, R)
Q718	1	1	1	1	HT325912B0	Transistor 2SC2591(Q, R)
Q719	1	1	1	1	HT111112B0	Transistor 2SA1111(Q, R)
Q720	1	1	1	1	HT111112B0	Transistor 2SA1111(Q, R)
Q721	1	1	1	1	HT326812B0	Transistor 2SC2681(R, Q)
Q722	1	1	1	1	HT326812B0	Transistor 2SC2681(R, Q)
Q723	1	1	1	1	HT111412B0	Transistor 2SA1141(R, Q)
Q724	1	1	1	1	HT111412B0	Transistor 2SA1141(R, Q)
Q725	1	1	1	1	HD20015030	Diode DS-1350
Q726	1	1	1	1	HD20015030	Diode DS-1350
Q727	1	1	1	1	HD20015030	Diode DS-1350
Q728	1	1	1	1	HD20015030	Diode DS-1350
Q801	1	1	1	1	HD20011290	Diode S3V-20
Q802	1	1	1	1	HD20011290	Diode S3V-20
Q803	1	1	1	1	HD20011290	Diode S3V-20
Q804	1	1	1	1	HD20011290	Diode S3V-20
Q805	1	1	1	1	HD30013010	Zener HZ15-2L
Q806	1	1	1	1	HD30013010	Zener HZ15-26
Q807	1	1	1	1	HD20015030	Diode DS-1350

REF. DESIG.	Q'TY				PART NO.	DESCRIPTION
	U	N	A	F		
QN01	1	1	1	1	HT309451Q0	Transistor 2SC945(Q)
QN02	1	1	1	1	HT309451Q0	Transistor 2SC945(Q)
QN03	1	1	1	1	HT107331Q0	Transistor 2SA733(Q)
QN04	1	1	1	1	HT107331Q0	Transistor 2SA733(Q)
QN05	1	1	1	1	HD20010010	Diode 1S2076
QN06	1	1	1	1	HD20010010	Diode 1S2076
QN07	1	1	1	1	HD20010010	Diode 1S2076
QN08	1	1	1	1	HD20010010	Diode 1S2076
QN09	1	1	1	1	HD20010010	Diode 1S2076
QN10	1	1	1	1	HD20010010	Diode 1S2076
QN11	1	1	1	1	HD20010010	Diode 1S2076
QN12	1	1	1	1	HD20010010	Diode 1S2076
QN13	1	1	1	1	HC10042050	IC TA7317P
QN14	1	1	1	1	HD20010010	Diode 1S2076
QX01	1	1	1	1	HC10041050	IC TA7318P
P700-COILS						
L701	1	1	1	1	LL23915120	Coil, Choke
L702	1	1	1	1	LL23915120	Coil, Choke
LN01	1	1	1	1	LY20240190	Relay
P700-MISCELLANEOUS						
F801	1				FS10100500	Fuse 1A 250V
F801		1			FS10100800	Fuse T1A 250V
F801			1		FS10100600	Fuse 1A 250V
J801	1			1	YJ08000170	Jack, Fuse Holder
J801		1	1		YJ08000270	Jack, Fuse Holder
J802	1			1	YJ08000170	Jack, Fuse Holder
J802		1	1		YJ08000270	Jack, Fuse Holder
PS00-SPEAKER SWITCH CIRCUIT BOARD						
PS00	1	1	1	1	YK213H1320	P.W. Board, Speaker Switch
	1	1	1		ZZ213H1320	P.W. Board Assembly
PS00-SWITCH						
SS01	1	1	1	1	SP02020520	Push Switch, Speaker
PW00-HEADPHONE CIRCUIT BOARD						
PW00	1	1	1	1	YK213H1330	P.W. Board Head Phone
	1	1	1		ZZ213H1330	P.W. Board Assembly
PW00-MISCELLANEOUS						
JW01	1	1	1	1	YJ01001400	Jack, Head Phone
WW01	1	1	1	1	YU03700240	Jumper Lead, 3Px700mm
R751	1	1	1	1	GA05331010	330Ω 1W
R752	1	1	1	1	GA05331010	330Ω 1W
PZ00-LAMP CIRCUIT BOARD						
PZ00	1	1	1	1	YF213H0010	P.W. Board, Lamp
	1	1	1		ZZ213H0010	P.W. Board Assembly
PZ00-LAMPS						
VZ01	1	1	1	1	IN10080510	Lamp 8V 100mA
VZ02	1	1	1	1	IN10080510	Lamp 8V 100mA
VZ03	1	1	1	1	IN10080510	Lamp 8V 100mA
VZ04	1	1	1	1	IN10080510	Lamp 8V 100mA
VZ05	1	1	1	1	IN10080510	Lamp 8V 100mA
VZ06	1	1	1	1	IN10080510	Lamp 8V 100mA
(W01-99)		Assembly and Wiring				
(T01-99)		Adjustment				
(X01-00)		Correction				

P700
MAIN AMP. and
POWER SUPPLY.



Q701, Q702 HT322592FO 2SC2259(F,G)	Q709 HC10019020 AM6552	Q715, Q716 HT326312CO 2SC2631(R,S)	Q721, Q722 HT326812BO 2SC2681(R,Q)	Q717, Q718 HT11232CO 2SA1123(R,S)	Q723, Q724 HT11412BO 2SA1141(R,Q)	Q719, Q720 HT311112BO 2SA11111(Q,R)	Q725, Q726 HT3094510Q 2SC9451(O)
Q703, Q704 HT319802AO 2SC1980(R,S)	Q711, Q712 HT111232CO 2SA1123(R,S)	Q717, Q718 HT325912BO 2SC2591(O,R)	Q723, Q724 HT11412BO 2SA1141(R,Q)	Q719, Q720 HT311112BO 2SA11111(Q,R)	Q725, Q726 HT3094510Q 2SC9451(O)	Q705 ~ Q708 Q705 ~ Q712, Q714 HD2001001O STV3H	Q709 ~ Q728 Q709 ~ Q712, Q714 HD2001001O STV3H
Q705 ~ Q708 HD2001001O IS2076	Q713, Q714 HY00006080 STV3H	Q719, Q720 HT311112BO 2SA11111(Q,R)	Q725, Q726 HT3094510Q 2SC9451(O)	Q701, Q702 HT322592FO 2SC2259(F,G)	Q709 HC10019020 AM6552	Q715, Q716 HT326312CO 2SC2631(R,S)	Q721, Q722 HT326812BO 2SC2681(R,Q)

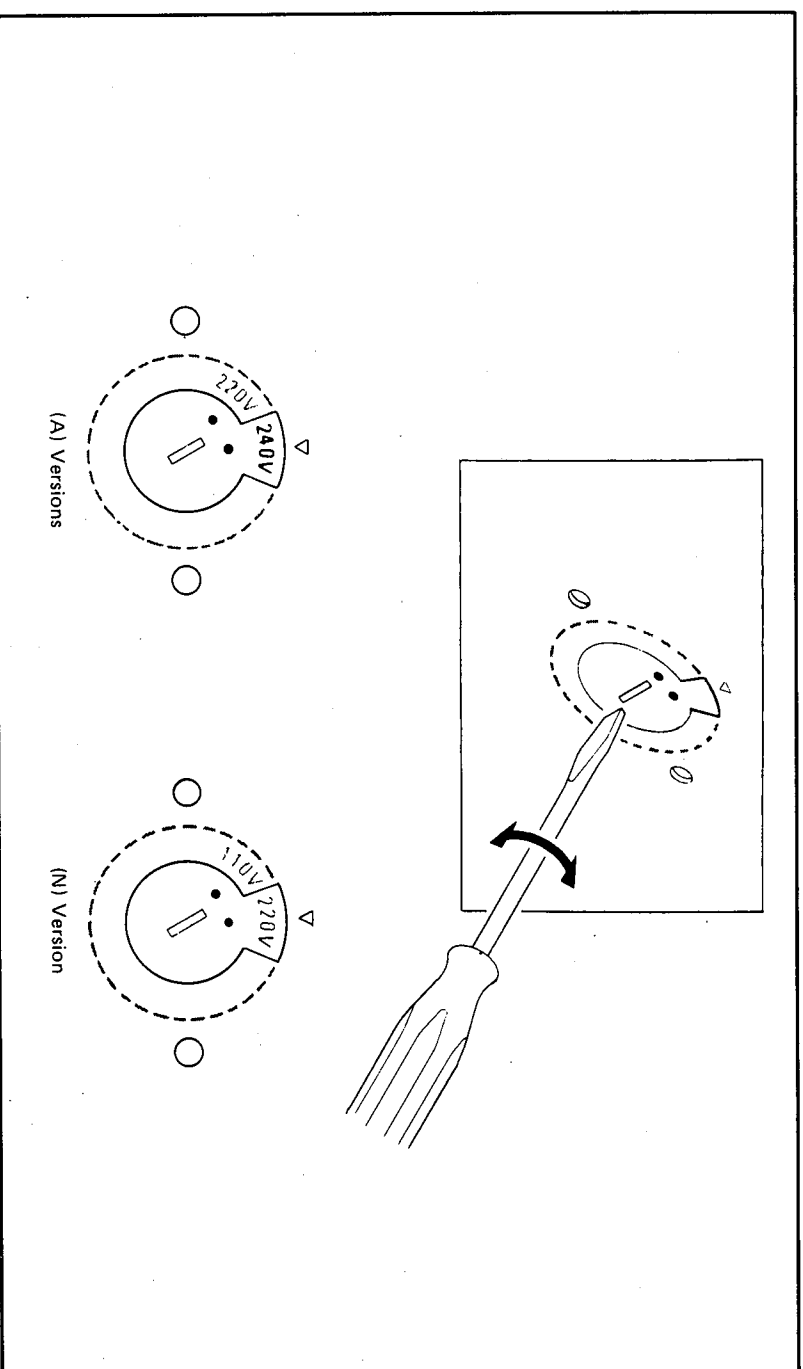


Note on safety: The parts marked with Δ are important parts on the safety.
Please use the parts having the designated parts number without fail.

9. VOLTAGE CONVERSION

To convert the unit to a different power source voltage, change the position as illustrated in the drawing below.

CAUTION: DISCONNECT POWER SUPPLY CORD FROM AC OUTLET BEFORE CONVERTING VOLTAGE. DO NOT DISASSEMBLE THE VOLTAGE SELECTOR ABSOLUTELY.



NOTE ON SAFETY: THE PARTS MARKED WITH Δ ARE IMPORTANT PARTS ON THE SAFETY. PLEASE USE THE PARTS HAVING THE DESIGNATED PARTS NUMBERS WITHOUT FAIL.

10. TECHNICAL SPECIFICATIONS

AUDIO SECTION

POWER OUTPUT PER CHANNEL

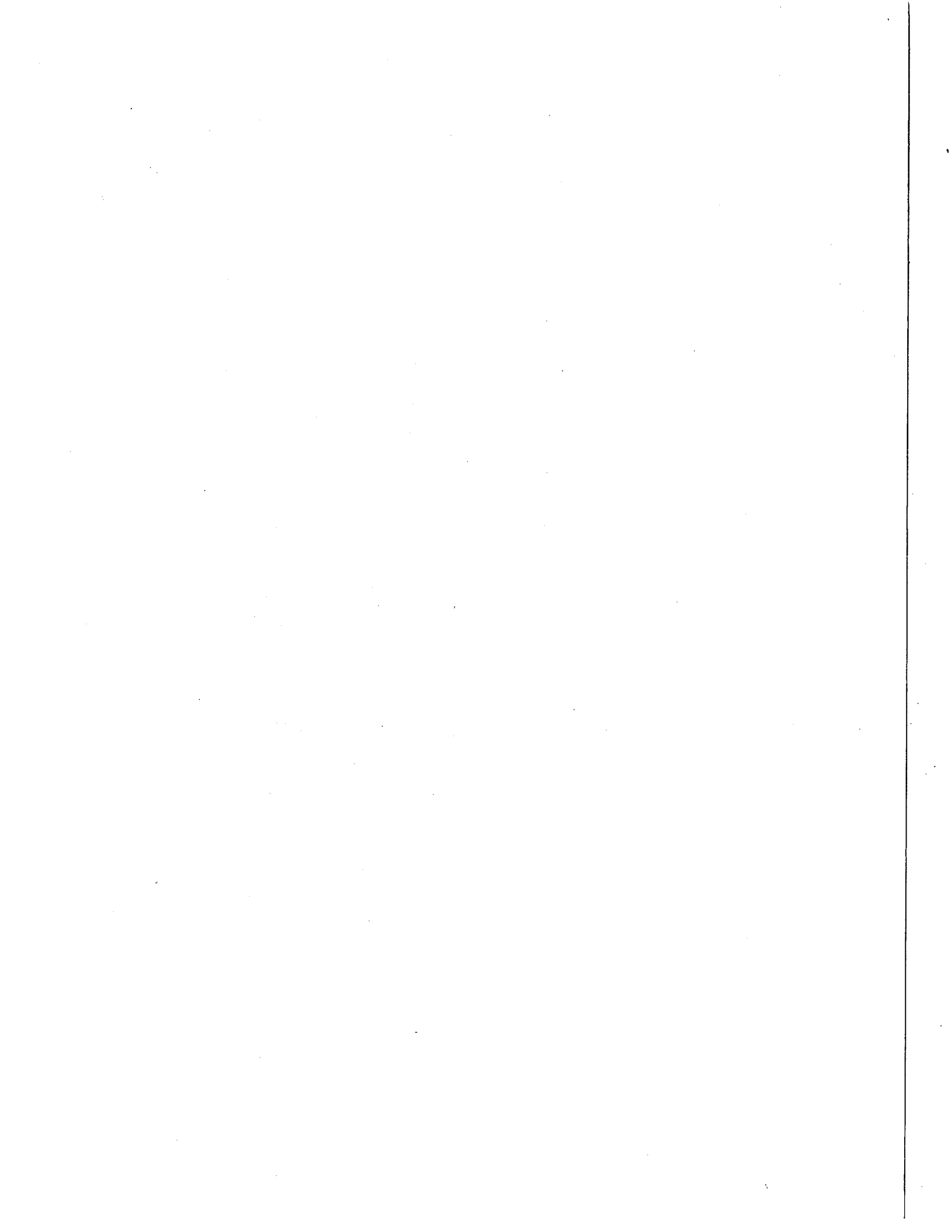
4 OHMS DIN 1 KHz	85 W
4 OHMS RMS 1 KHz	80 W
8 OHMS DIN 1 KHz	65 W
8 OHMS RMS 1 KHz	60 W
TOTAL HARMONIC DISTORTION AT RMS 8 OHMS	0.03%
I.M. DISTORTION	0.03%
DAMPING FACTOR 8 OHMS (1 KHz)	80

Input Sensitivity/Impedance	1.5V/32 Kohms
Frequency Response (+0/-0.3 dB)	5 Hz-50 KHz
Signal-to-Noise Ratio	120 dB

GENERAL

Power Requirements	220 V AC, 50 Hz
Power Consumption (at Rated Output, Both Channels Operating)	220 W
Dimensions	
Panel Width	416 mm
Panel Height	73 mm
Depth	302 mm
Weight	
Unit alone	7.9 kg

Specifications and appearance are subject to change for modification without notice.





marantz®