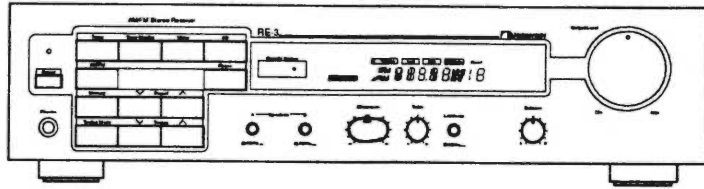


135

# Service Manual

## RE-3

AM/FM Stereo Receiver



# CONTENTS

1. General .....	1
2. Mechanism Ass'y and Parts List .....	3
2.1. Synthesis .....	3
2.2. Chassis Ass'y (A01) .....	4
2.3. Front Chassis Ass'y (A02) .....	5
2.4. Heat Sink Ass'y (B01) .....	6
3. Mounting Diagrams and Parts List .....	7
3.1. AC Outlet P.C.B. Ass'y .....	7
3.2. Power Switch P.C.B. Ass'y .....	7
3.3. Headphone P.C.B. Ass'y .....	7
3.4. Treble (B) P.C.B. Ass'y .....	7
3.5. Bass (B) P.C.B. Ass'y .....	7
3.6. Balance (B) P.C.B. Ass'y .....	7
3.7. Volume LED P.C.B. Ass'y .....	7
3.8. System Remote P.C.B. Ass'y .....	8
3.9. Motor Volume P.C.B. Ass'y .....	8
3.10. Front P.C.B. Ass'y .....	8
3.11. Main P.C.B. Ass'y .....	9
4. Schematic Diagram .....	13

## 1. GENERAL

### Reference Service Manual

The base Model of RE-3 is Receiver 3. In this Service Manual, identical sections/items are omitted. So, please refer to the Service Manual of Receiver 3 (0Q06134A).

### 1.1. Product Code

D121

### 1.2. Destinations

USA, CAN


#### Abbreviation

USA — U.S.A.

CAN — Canada

### 1.3. Cautions/Warnings

#### (1) Product Safety Notice

Parts marked with the symbol  in the schematic diagram have critical characteristics.

Use ONLY replacement parts recommended by the manufacturer. It is recommended that the unit be operated from a suitable DC supply or batteries during initial check-out procedures.

#### (2) Leakage Current Check/Resistance Check

Before returning the unit to the customer, make sure you make either (1) a leakage current check or (2) a line to chassis resistance check. If the leakage current exceeds 0.5 milliamp, or if the resistance from chassis to either side of the power cord is less than 240 k ohms, the unit is defective.

**WARNING** — DO NOT return the unit to the customer until the problem is located and corrected.

#### (3) Lithium Battery Caution

Use ONLY replacement parts recommended by the manufacturer. Replacement must be done only by qualified service personnel because of risk for explosion.

#### VARNING

Litiumbatteri. Explosionsfara vid felaktig hantering. Byte får endast ske av sakkunnig personal enligt servicedokumentationens anvisningar.

#### ADVARSEL!

Lithiumbatterier. Eksplosionsfare. Udskiftning må kun foretages af en sagkyndig og som beskrevet i servicemanualen.

batterierne kun må udskiftes med batterier af samme fabrikat og type.

#### (4) Resetting the MPU After Repair

When the RE-3 does not work properly with the button operation after repair or after replacing the battery (the display shows abnormal indication), reset the Microprocessing Unit (MPU) U001 (uPD75208CW-A77) on the Front P.C.B. Ass'y as follows:

1. With the power turned ON, press the Reset switch S016 on the Front P.C.B. Ass'y. See Fig. 3.10.
2. Since the memory contents are cleared, reset them again.

### 1.4. Package Ass'y

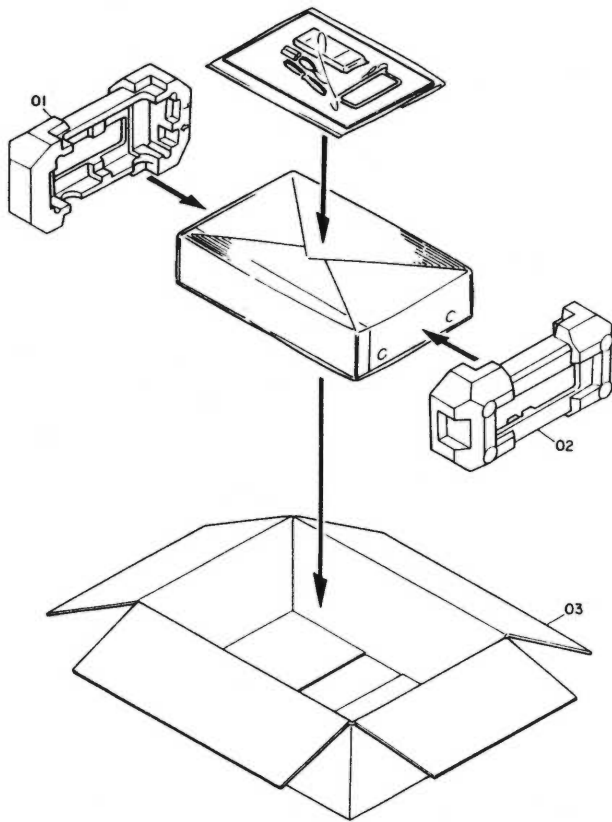


Fig. 1.1

### 1.5. Accessory Ass'y

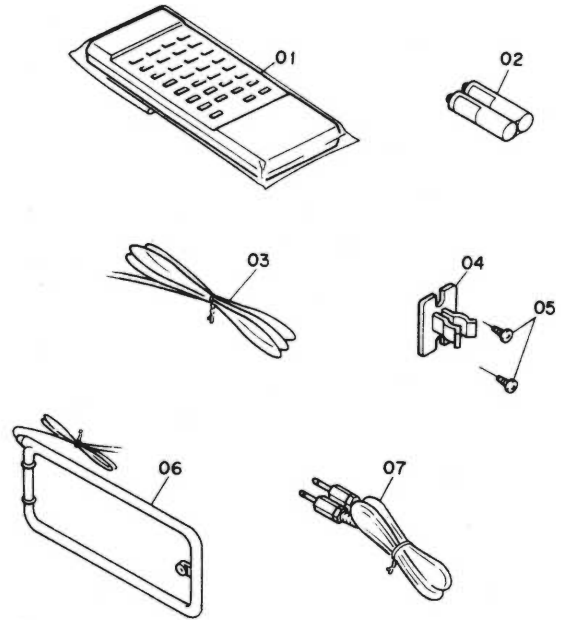


Fig. 1.2

Schematic Ref. No.	Part No.	Description	Q'ty
<b>Package Ass'y</b>			
01	0C85336A	Packing L	1
02	0C85337A	Packing R	1
03	0F04723A	Carton Box	1
—	0F04108A	Soft Sheet	1

Schematic Ref. No.	Part No.	Description	Q'ty
<b>CB00097A Accessory Ass'y</b>			
01	HA06497A	Remote Control Ass'y	1
02	0B90341A	Battery UM-3Ux2	1
03	0C85437A	FM Feeder Antenna	1
04	0B90319A	Loop Antenna Holder	1
05	0E03659A	3x12 + Tapping (Black Chromate)	2
06	0C85374A	AM Loop Antenna	1
07	0C85415A	Remote Control Cable	1
—	0D06420C	Owner's Manual (French)	1
—	0D06419C	Owner's Manual (English)	1

## 2. MECHANISM ASS'Y AND PARTS LIST

### 2.1. Synthesis

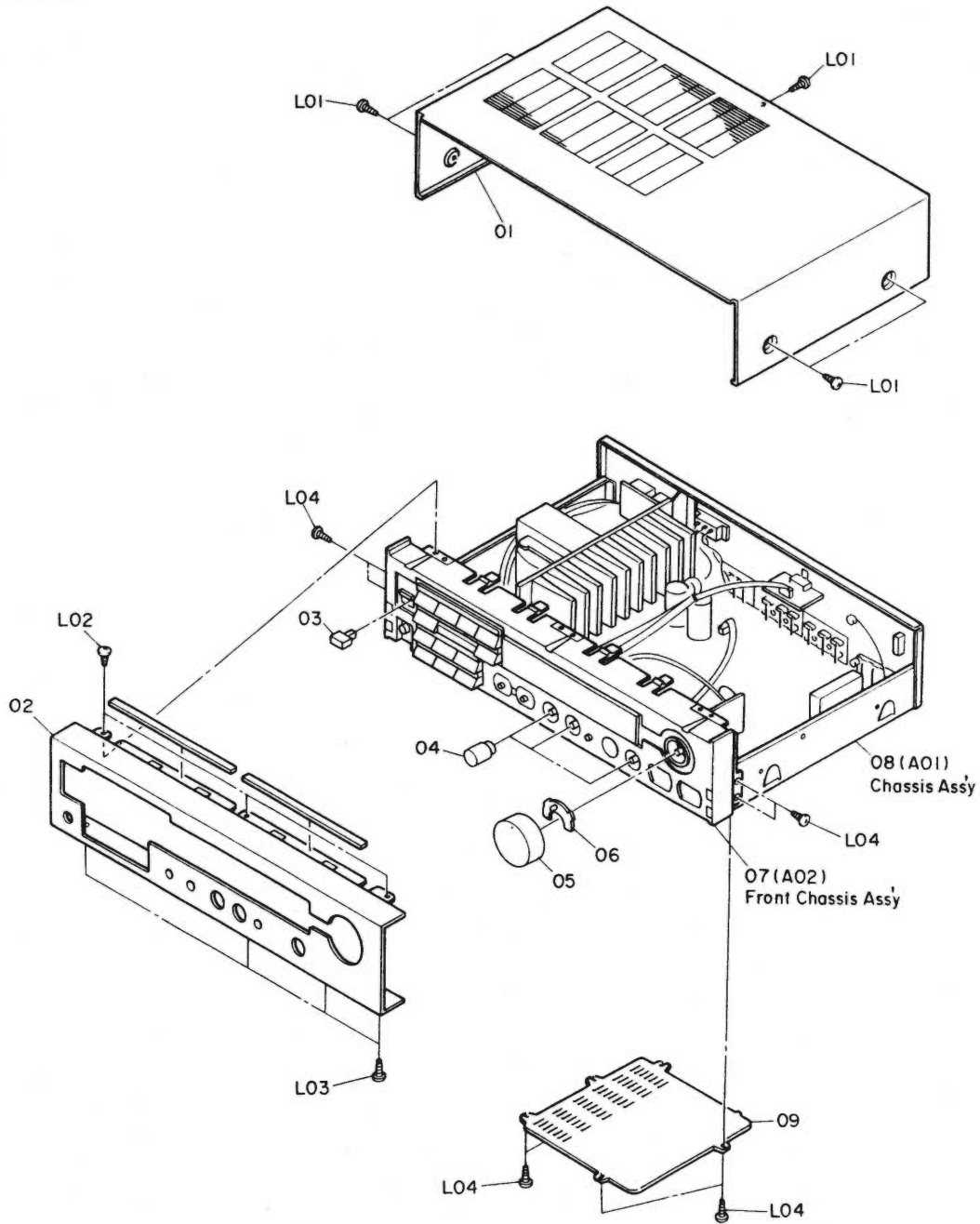


Fig. 2.1

### 2.1. Synthesis

Schematic Ref. No.	Part No.	Description	Q'ty	Schematic Ref. No.	Part No.	Description	Q'ty
	—	<b>Synthesis</b>		08	—	Chassis Ass'y	1
01	0H05315A	Top Cover	1	09	0C85346A	Bottom Cover	1
02	0H06459A	Front Panel	1	L01	0E03433A	BT3x6 + Binding Projected (Black Chromate)	
03	0H06418A	Power Switch Knob	1	L02	0E03749A	PT3x8 + Binding (Black Chromate)	
04	HA06502A	Volume Knob CDR Ass'y	3	L03	0E00948A	BT3x10 + Binding (Black Chromate)	
05	HA06574A	M. Volume Knob Ass'y	1	L04	0E00857A	BT3x6 + Binding	
06	CB00118A	Volume LED P.C.B. Ass'y	1				
07	—	Front Chassis Ass'y	1				

## 2.2. Chassis Ass'y (A01)

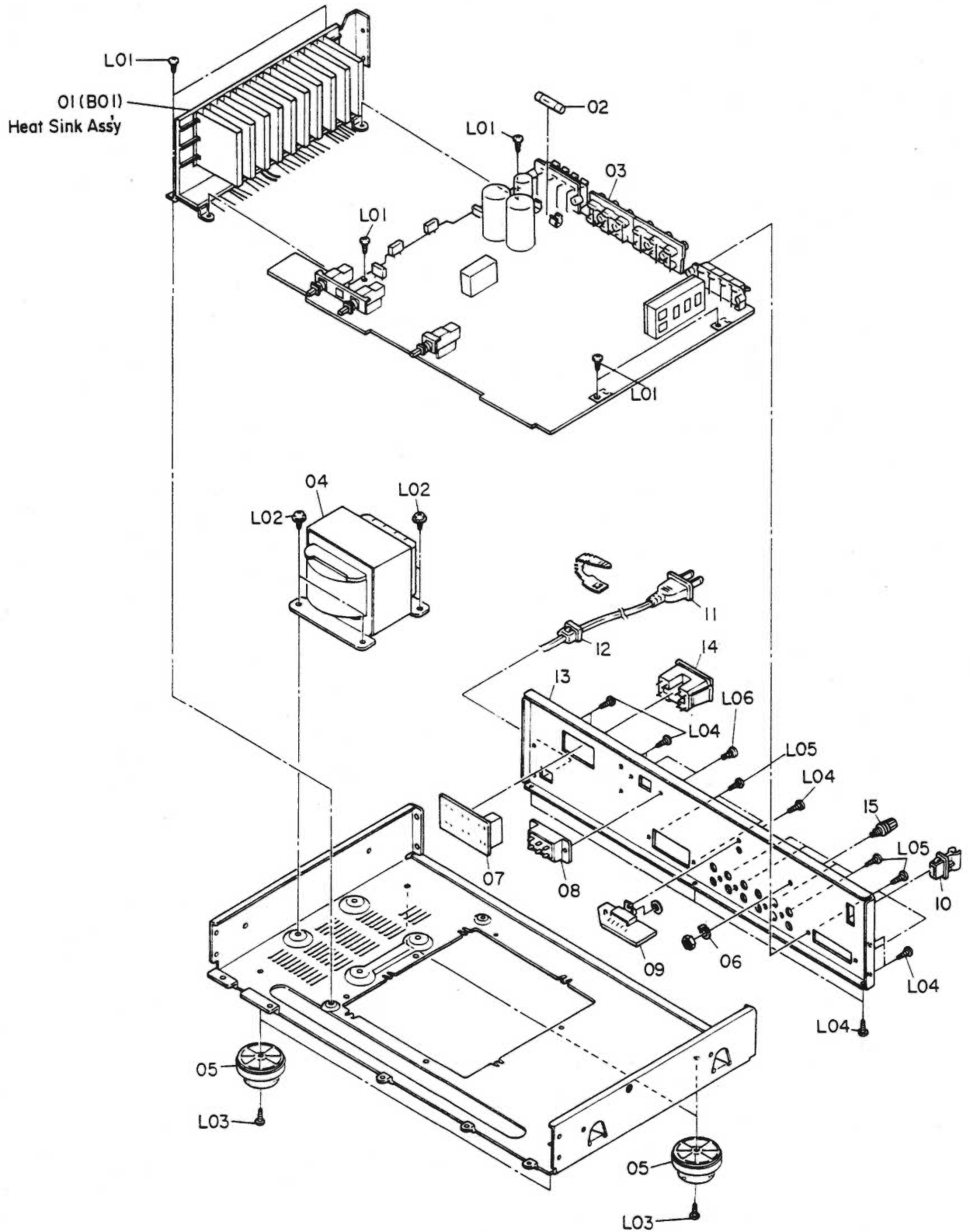


Fig. 2.2

### 2.3. Front Chassis Ass'y (A02)

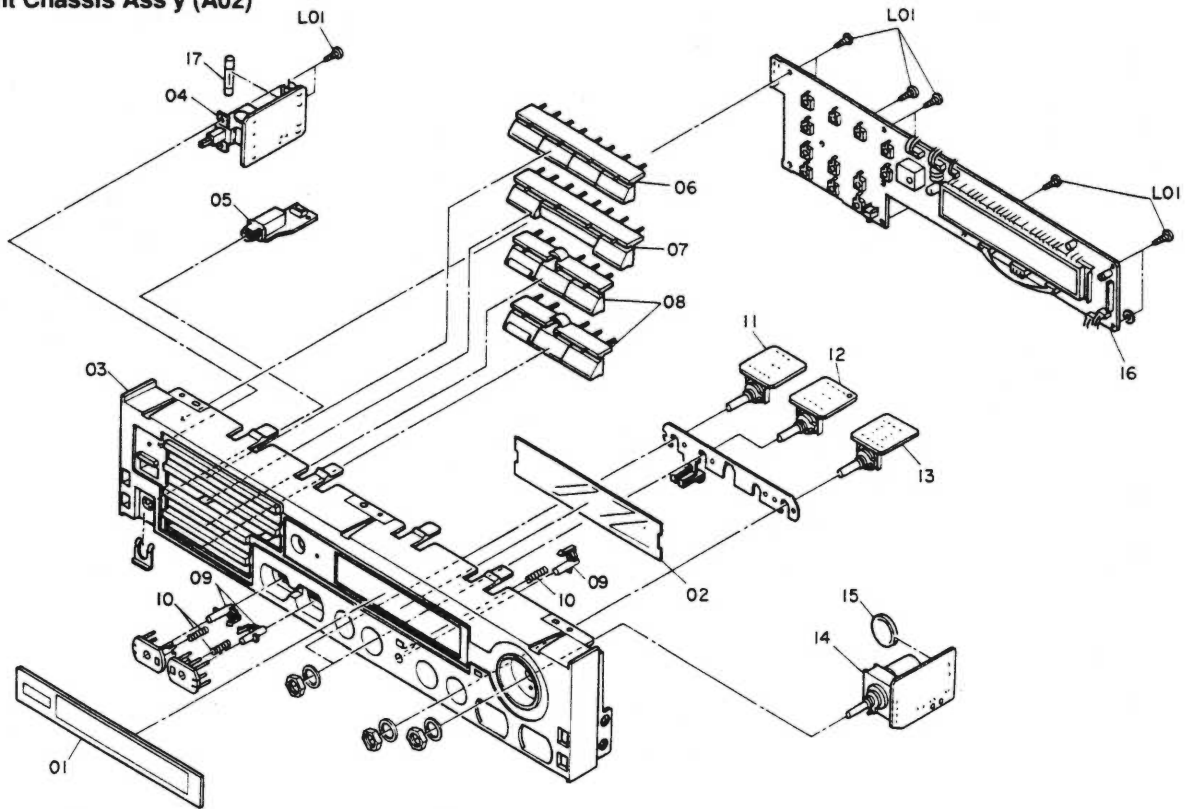


Fig. 2.3

### 2.2. Chassis Ass'y (A01)

Schematic Ref. No.	Part No.	Description	Q'ty
<b>A01</b>	—	<b>Chassis Ass'y</b>	
01	—	Heat Sink Ass'y	1
02	0B90329A	Fuse T1A/125V (F402)	1
03	CB00107A	Main P.C.B. Ass'y	1
04	0L00220A	Power Transformer EI-76 (T)	1
05	0H06472A	Leg	4
06	0J05703A	Lug Terminal	1
07	CB00111A	AC Outlet P.C.B. Ass'y	1
08	0N00053A	Slide Switch T-876WF01BB	1
09	CB00114A	Remote P.C.B. Ass'y	1
10	0B90316A	AM Antenna Holder	1
11	0L00185A	AC Power Cord	1
12	0B90280A	Cord Bushing	1
13	0H06531A	Rear Panel	1
14	0B81928A	AC Outlet	1
15	JA04383A	Ground Terminal Ass'y	1
L01	0E00857A	BT3x6 + Binding	
L02	0C85421A	ST4x6 + Binding Washer-Faced	
L03	0E03217A	BT4x8 + Binding	
L04	0E00860A	BT3x6 + Binding (Black Chromate)	
L05	0N00066A	PT3x10 + Binding (Black Chromate)	
L06	0N00057A	P-Rivet 3x5.5	

### 2.3. Front Chassis Ass'y (A02)

Schematic Ref. No.	Part No.	Description	Q'ty
<b>A02</b>	—	<b>Front Chassis Ass'y</b>	<b>1</b>
01	HA06567A	Display Lens R Ass'y	1
02	BA06570A	Filter RE Ass'y	1
03	0H06467A	Front Escutcheon	1
04	CB00110A	Power Switch P.C.B. Ass'y	1
05	CB00109A	Headphone P.C.B. Ass'y	1
06	0H06440A	Control Knob 4	1
07	0H06445A	Dummy Knob R	1
08	0H06441A	Control Knob 3	2
09	0H06447B	Push Knob	3
10	0J06253A	Push Spring	3
11	CB00116A	Bass (B) P.C.B. Ass'y	1
12	CB00117A	Treble (B) P.C.B. Ass'y	1
13	CB00115A	Balance (B) P.C.B. Ass'y	1
14	CB00108A	Motor Volume P.C.B. Ass'y	1
15	0B90200B	Lithium Battery CR2430-FT4-2	1
16	CB00113A	Front P.C.B. Ass'y	1
17	0B90330A	Fuse T3A/250V	1
L01	0C85416A	PT3x8 + Binding	

## 2.4. Heat Sink Ass'y (B01)

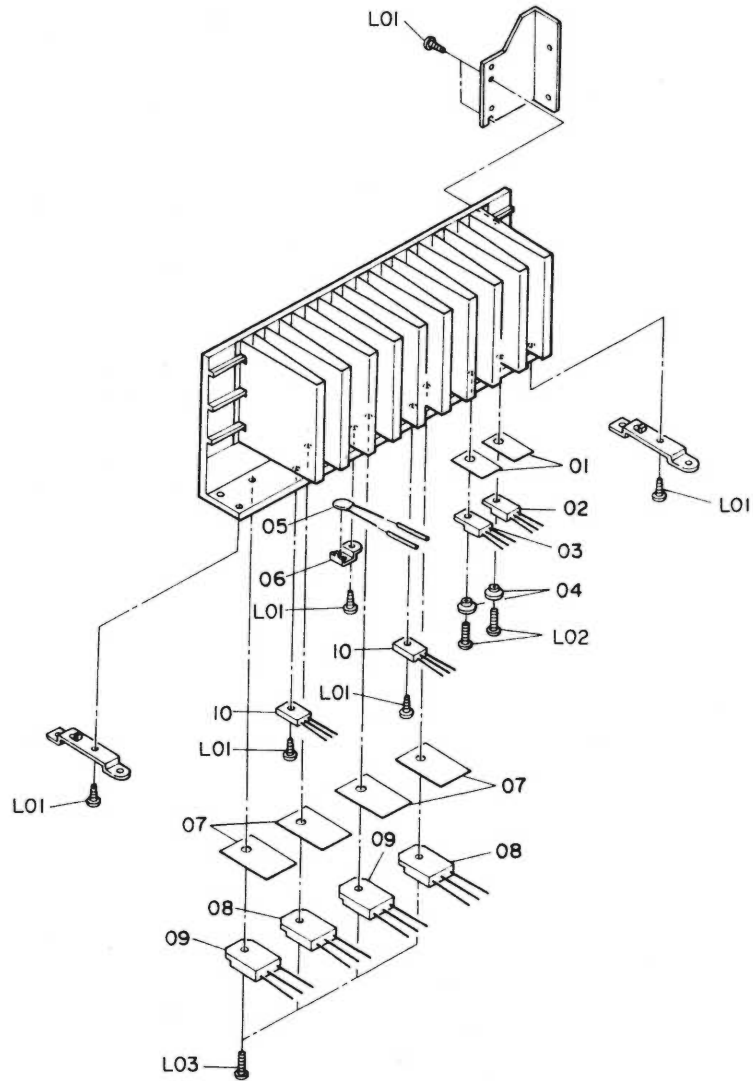


Fig. 2.4

### 2.4. Heat Sink Ass'y (B01)

Schematic Ref. No.	Part No.	Description	Q'ty
<b>B01</b>	—	<b>Heat Sink Ass'y</b>	<b>1</b>
01	0J05672A	Insulator TO-220 (U401,402)	2
02	0B11011A	IC uPC7812H (U401)	1
03	0B11010A	IC uPC7805H (U402)	1
04	0B90368A	TR Bush (3x1.4) (U401,402)	2
05	0B19607A	Thermistor 50KD-5 (TH-301)	1
06	0J05615A	TH Holder	1
07	0J05671A	Insulator TO-3P (Q310L,R, Q311L,R)	4
08	0B10245A	TR 2SC3181N (Q310L,R)	2
09	0B10244A	TR 2SA1264N (Q311L,R)	2
10	0B10199A	TR 2SC3421 (Q307L,R)	2
L01	0E00868A	BT3x8 + Binding	
L02	0E00766A	M3x8 + Binding	
L03	0E00986A	M3x10 + Binding	





3.8. System Remote P.C.B. Ass'y

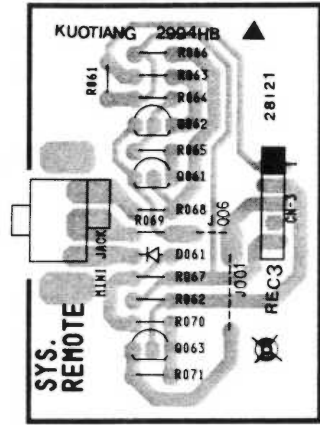


Fig. 3.8

3.9. Motor Volume P.C.B. Ass'y

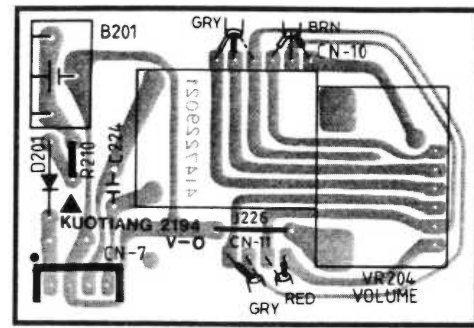
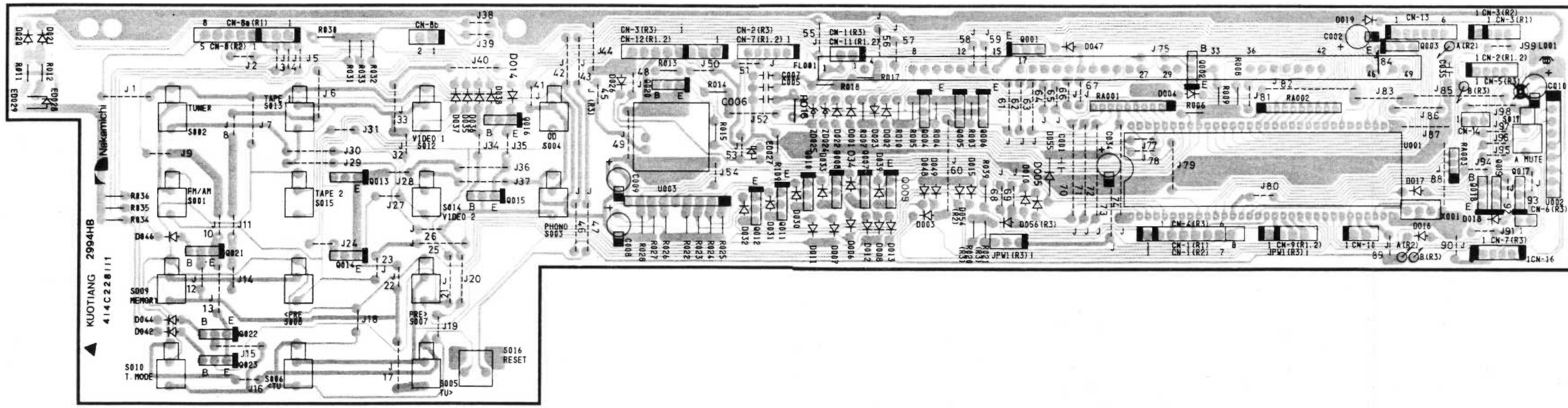


Fig. 3.9

3.10. Front P.C.B. Ass'y



Reset Switch

Fig. 3.10

3.11. Main P.C.B. Ass'y

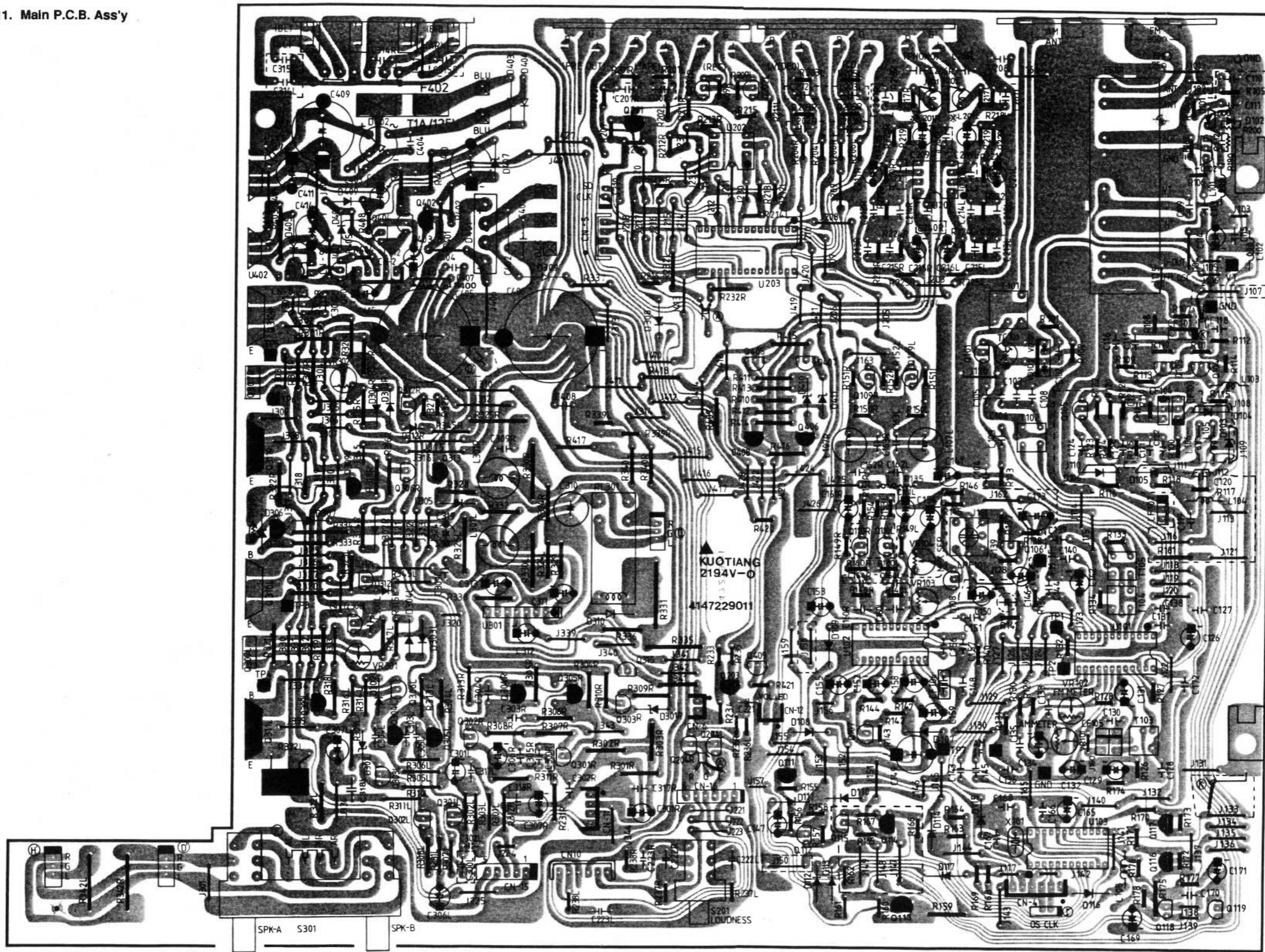


Fig. 3.11

**NOTES:** 1. Abbreviations

TR – Transistor, SID – Silicon Diode, ZD – Zener Diode, Varicap – Variable Capacitance Diode  
 RK – Carbon Resistor, RM – Metal Film Resistor, RF – Fail Safe Type Resistor, RC – Cement Resistor  
 CE – Electrolytic Capacitor, CML – Mylar Capacitor, CC – Ceramic Capacitor, CPP – PP Capacitor,  
 CMM – Metalized Mylar Capacitor, CSP – Polystyrene Capacitor, C – Mica Capacitor,  
 CT – Tantalum Capacitor

2. Description of capacitor: 10 16V = 10 $\mu$  16V

**3.1. AC Outlet P.C.B. Ass'y**

Schematic Ref. No.	Part No.	Description
	<b>CB00111A</b>	<b>AC Outlet P.C.B. Ass'y</b>
	0L00194A	AC Outlet P.C.B.
D406	0B12586A	SiD 1N4002
R419	0B05919A	RK 3.3M 1/2W J
RL401	0B90334A	Relay VS-12MBU
CN9	0B81666A	2P Connector Ass'y

**3.2. Power Switch P.C.B. Ass'y**

Schematic Ref. No.	Part No.	Description
	<b>CB00110A</b>	<b>Power Switch P.C.B. Ass'y</b>
	0L00193A	Power Switch P.C.B.
C417	0B41825A	CC 4700P AC400V
S401	0B71011A	Power Switch
CN1	0B81666A	2P S-Post
	0B81930A	Fuse Holder SN-5051 (2)

**3.3. Headphone P.C.B. Ass'y**

Schematic Ref. No.	Part No.	Description
	<b>CB00109A</b>	<b>Headphone P.C.B. Ass'y</b>
	0L00192A	Headphone P.C.B.
HP301	0B81757A	Headphone Jack
H-H'	0N81667A	3P S-Post

**3.4. Treble (B) P.C.B. Ass'y**

Schematic Ref. No.	Part No.	Description
	<b>CB00117A</b>	<b>Treble (B) P.C.B. Ass'y</b>
	0L00199A	Treble (B) P.C.B.
VR201	0L00206A	VR 100KCx2
R226L,R	0B09668A	RK 430 1/6W J
R228L,R	0B09683A	RK 1.8K 1/6W J
C217L,R	0B05660A	CML 0.039 50V J
C218L,R	0B05659A	CML 5600 50V J
C255L,R	0B01674A	CE 10 25V
CN15	0B81669A	5P S-Post

**3.5. Bass (B) P.C.B. Ass'y**

Schematic Ref. No.	Part No.	Description
	<b>CB00116A</b>	<b>Bass (B) P.C.B. Ass'y</b>
	0L00198A	Bass (B) P.C.B.
VR202	0L00207A	VR 250KCx2
R227L,R	0B09682A	RK 1.6K 1/6W J
R229L,R	0B09700A	RK 9.1K 1/6W J
R230L,R	0B09714A	RK 36K 1/6W J
C219L,R	0B41306A	CML 0.47 50V J
C220L,R	0B41299A	CML 0.12 50V J

**3.6. Balance (B) P.C.B. Ass'y**

Schematic Ref. No.	Part No.	Description
	<b>CB00115A</b>	<b>Balance (B) P.C.B. Ass'y</b>
	0L00197A	Balance (B) P.C.B.
VR203	0L00208A	VR 250KMNx2
CN16	0B81670A	6P S-Post

**3.7. Volume LED P.C.B. Ass'y**

Schematic Ref. No.	Part No.	Description
	<b>CB00118A</b>	<b>Volume LED P.C.B. Ass'y</b>
	0L00200A	Volume LED P.C.B.
ED202	0C85387A	LED SLR-34DC3F AMBER
CN12	0C85405A	2P Connector Ass'y

**3.8. System Remote P.C.B. Ass'y**

Schematic Ref. No.	Part No.	Description
	<b>CB00114A</b>	<b>System Remote P.C.B. Ass'y</b>
	0L00196A	System Remote P.C.B.
Q061,062	0B06100A	TR 2SC945
Q063	0B06100A	TR 2SC945
D061	0B06398A	SiD 1SS176
R061,062	0B09701A	RK 10K 1/6W J
R063	0B09717A	RK 47K 1/6W J
R064,065	0B09701A	RK 10K 1/6W J
R066	0B09709A	RK 22K 1/6W J
R067	0B09701A	RK 10K 1/6W J
R068	0B09677A	RK 1K 1/6W J
R069	0B09637A	RK 22 1/6W J
R070,071	0B09701A	RK 10K 1/6W J
	0B81952A	ST Mini Jack (1)

**3.9. Motor Volume P.C.B. Ass'y**

Schematic Ref. No.	Part No.	Description
	<b>CB00108A</b>	<b>Motor Volume P.C.B. Ass'y</b>
	0L00191A	Motor Volume P.C.B.
D201	0B12584A	SiD 1N4148
VR204	0L00204A	VR 50KBx2
R210	0B09665A	RK 330 1/6W J
C224	0B09291A	CC 0.022 50V Z
CN7	0B81761A	4P T-Post
CN10	0C85377A	6P Connector Ass'y
CN11	0C85378A	4P Connector Ass'y

**3.10. Front P.C.B. Ass'y**

Schematic Ref. No.	Part No.	Description
	<b>CB00113A</b>	<b>Front P.C.B. Ass'y</b>
	0L00195A	Front P.C.B.
U001	0B11872A	IC uPD75208CW -A77
U002	0B11530A	IC BA6208
Q001,002	0B10062A	TR DTC144ES
Q003	0B10062A	TR DTC144ES
Q004	0B10328A	TR DTC114TF
Q005,006	0B10328A	TR DTC114TF
Q009	0B10327A	TR DTA144TF
Q017,018	0B10062A	TR DTC144ES
Q019	0B10062A	TR DTC144ES
Q020	0B06100A	TR 2SC945
ZD024	0B06232A	ZD 9.1V B2
ZD025	0B12159A	ZD 7.5V B2
ED027,029	0C85387A	LED SLR-34DC3F AMBER
D001,002	0B06398A	SiD 1SS176
D003,004	0B06398A	SiD 1SS176
D005	0B06398A	SiD 1SS176
D008	0B06398A	SiD 1SS176
D016,017	0B06398A	SiD 1SS176
D018,019	0B06398A	SiD 1SS176
D020,021	0B06398A	SiD 1SS176
D022,023	0B06398A	SiD 1SS176
D026	0B06398A	SiD 1SS176
D039	0B06398A	SiD 1SS176
D055	0B12584A	SiD 1N4148
D056	0B06398A	SiD 1SS176
X001	0B92034A	Ceramic Resonator 4.19MG
L001	0B51291A	Motor Choke Coil 470uH K
RA001,002	0C85397A	R Array 100Kx9
RA003	0B21119A	R Array 100Kx3
R003,004	0B09725A	RK 100K 1/6W J
R005	0B09725A	RK 100K 1/6W J
R006	0B09721A	RK 68K 1/6W J
R007	0B09709A	RK 22K 1/6W J
R008	0B09725A	RK 100K 1/6W J
R009,010	0B09725A	RK 100K 1/6W J
R013,014	0B09701A	RK 10K 1/6W J

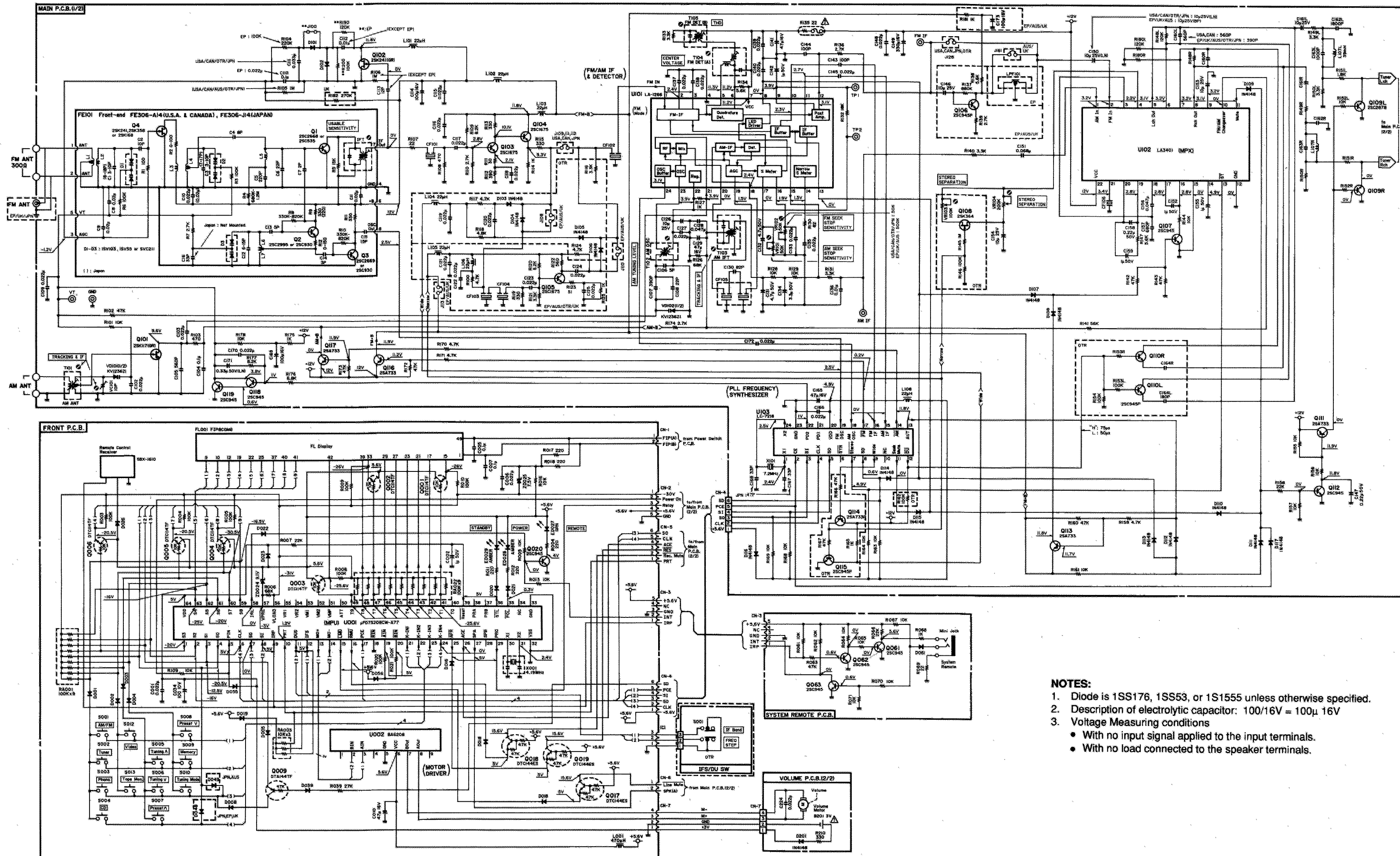
### 3.11. Main P.C.B. Ass'y

Schematic Ref. No.	Part No.	Description	Schematic Ref. No.	Part No.	Description	Schematic Ref. No.	Part No.	Description
R015	0B09661A	RK 220 1/6W J		<b>CB00107A</b>	<b>Main P.C.B. Ass'y</b>	CF105	0B41897A	Ceramic Filter SFZ450G3L
R016	0B09701A	RK 10K 1/6W J		0L00190A	Main P.C.B.	CF106	0B41927A	Ceramic Resonator CSB456F11
R017,018	0B09661A	RK 220 1/6W J	U101	0B11875A	IC LA1266	T101	0B51269A	Coil AM ANT
R020,021	0B09725A	RK 100K 1/6W J	U102	0B11876A	IC LA3401	T102	0B51270A	Coil AM OSC
R039	0B09711A	RK 27K 1/6W J	U103	0B11877A	IC LC7218	T103	0B51271A	Coil AM IFT
R109	0B09701A	RK 10K 1/6W J	U201	0B06387A	IC NJM2043DD	T104	0B51272A	Coil FM DET A
C001	0B09291A	CC 0.022 50V Z	U202	0B11713A	IC uPC4570C	T105	0B51273A	Coil FM DET B
C002	0B01405A	CE 1 50V	U203	0B11878A	IC LC7821	L101,102	0B51274A	Coil 22uH
C005	0B09292A	CC 0.1 50V Z	U301	0B11246A	IC uPC1237H	L103	0B51274A	Coil 22uH
C006	0B09291A	CC 0.022 50V Z	Q101	0B10181A	FET 2SK117 (GR)	L107L,R	0B51276A	Inductor 39mH
C007	0B09292A	CC 0.1 50V Z	Q102	0B10127A	FET 2SK241 (GR)	L108	0B51274A	Coil 22uH
C010	0B01403A	CE 47 16V	Q103,104	0B06115A	TR 2SC1675	L301L,R	0B51275A	Audio Coil 1.8uH
C034	0B40063A	CE 100 10V	Q107	0B06100A	TR 2SC945	VR101,102	0C85365A	Semi VR 50K
S001,002	0B70214A	Tact Switch	Q109L,R	0B06299A	TR 2SC2878	VR104	0C85364A	Semi VR 200K
S003,004	0B70214A	Tact Switch	Q111	0B06013A	TR 2SA733	VR301,302	0C85369A	Semi VR 5K
S005,006	0B70214A	Tact Switch	Q112	0B06100A	TR 2SC945	R101	0B09701A	RK 10K 1/6W J
S007,008	0B70214A	Tact Switch	Q113	0B06013A	TR 2SA733	R102	0B09717A	RK 47K 1/6W J
S009,010	0B70214A	Tact Switch	Q116,117	0B06013A	TR 2SA733	R103	0B09669A	RK 470 1/6W J
S011,013	0B70214A	Tact Switch	Q118	0B06100A	TR 2SC945	R104	0B09733A	RK 220K 1/6W J
S016	0L00205A	Tact Switch	Q119	0B06100A	TR 2SC945	R105,106	0B09749A	RK 1M 1/6W J
CN1	0L00213A	2P Connector Ass'y 250mm	Q201	0B06013A	TR 2SA733	R107	0B09637A	RK 22 1/6W J
CN2	0L00216A	5P Connector Ass'y 300mm	Q202L,R	0B06299A	TR 2SC2878	R108	0B09669A	RK 470 1/6W J
CN3	0L00217A	5P Connector Ass'y 340mm	Q203	0B06013A	TR 2SA733	R109	0B09699A	RK 8.2K 1/6W J
CN4	0L00218A	6P Connector Ass'y 200mm	Q204L,R	0B06299A	TR 2SC2878	R110	0B09687A	RK 2.7K 1/6W J
CN5	0L00219A	6P Connector Ass'y 300mm	Q301L,R	0B06142A	TR 2SC2240 (BL)	R111	0B09640A	RK 30 1/6W J
CN6	0L00214A	2P Connector Ass'y 150mm	Q302L,R	0B06142A	TR 2SC2240 (BL)	R112	0B09667A	RK 390 1/6W J
CN7	0C85406A	4P Connector Ass'y	Q303L,R	0B06142A	TR 2SC2240 (BL)	R113	0B09665A	RK 330 1/6W J
FL001	0B90463A	FL Display FIP8CGM8	Q304L,R	0B10050A	TR 2SA970 (BL)	R114	0B09677A	RK 1K 1/6W J
U004	0C85399A	Remote Control Receiver SBX-1610-52 (1)	Q305L,R	0B10050A	TR 2SA970 (BL)	R115	0B09665A	RK 330 1/6W J
JPW-1	0L00215A	3P Connector Ass'y 90mm	Q306L,R	0B06142A	TR 2SC2240 (BL)	R116	0B09721A	RK 68K 1/6W J
			Q308L,R	0B10247A	TR 2SC2235 (Y)	R126	0B09721A	RK 68K 1/6W J
			Q309L,R	0B10246A	TR 2SA965 (Y)	R127	0B09677A	RK 1K 1/6W J
			Q312L,R	0B06142A	TR 2SC2240 (BL)	R128,129	0B09701A	RK 10K 1/6W J
			Q313	0B10050A	TR 2SA970 (BL)	R130	0B09651A	RK 82 1/6W J
			Q314	0B06372A	TR 2SA953	R131	0B09689A	RK 3.3K 1/6W J
			Q315	0B06142A	TR 2SC2240 (BL)	R132	0B09707A	RK 18K 1/6W J
			Q401	0B06100A	TR 2SC945	R133	0B09689A	RK 3.3K 1/6W J
			Q402	0B10246A	TR 2SA965 (Y)	R134	0B09695A	RK 5.6K 1/6W J
			Q403,404	0B06100A	TR 2SC945	R135	0B24187A	Fuse Resistor 22
			Q405	0B06322A	TR 2SC2002 (K)	R136	0B09687A	RK 2.7K 1/6W J
			Q406	0B06013A	TR 2SA733	R140	0B09689A	RK 3.3K 1/6W J
			Q407	0B06100A	TR 2SC945	R141	0B09719A	RK 56K 1/6W J
			Q408	0B06372A	TR 2SA953	R142,143	0B09717A	RK 47K 1/6W J
			Q409	0B06100A	TR 2SC945	R144	0B09701A	RK 10K 1/6W J
			ZD301L,R	0B12613A	ZD 4.7V B2	R147	0B09695A	RK 5.6K 1/6W J
			ZD306	0B06290A	ZD 5.6V B2	R148L,R	0B09727A	RK 120K 1/6W J
			ZD407	0B12255A	ZD 33V B2	R149L,R	0B09689A	RK 3.3K 1/6W J
			ZD410,411	0B12703A	ZD 16V B2	R150L,R	0B09689A	RK 3.3K 1/6W J
			VD101,102	0B12606A	Varicap KV1236Z1	R151L,R	0B09683A	RK 1.8K 1/6W J
			D101,102	0B06398A	SiD 1SS176	R152L,R	0B09701A	RK 10K 1/6W J
			D107,108	0B12584A	SiD 1N4148	R155,156	0B09701A	RK 10K 1/6W J
			D109,110	0B12584A	SiD 1N4148	R157	0B09701A	RK 10K 1/6W J
			D111,112	0B12584A	SiD 1N4148	R158	0B09709A	RK 22K 1/6W J
			D113,114	0B12584A	SiD 1N4148	R159	0B01846A	RK 4.7K 1/4W J
			D115,116	0B12584A	SiD 1N4148	R160	0B09717A	RK 47K 1/6W J
			D117	0B12584A	SiD 1N4148	R161	0B09701A	RK 10K 1/6W J
			D302L,R	0B12584A	SiD 1N4148	R163,164	0B09701A	RK 10K 1/6W J
			D303L,R	0B12584A	SiD 1N4148	R168,169	0B09701A	RK 10K 1/6W J
			D304L,R	0B12584A	SiD 1N4148	R170,171	0B09693A	RK 4.7K 1/6W J
			D305	0B12584A	SiD 1N4148	R172,173	0B09717A	RK 47K 1/6W J
			D307,308	0B12584A	SiD 1N4148	R174	0B09687A	RK 2.7K 1/6W J
			D309,310	0B12586A	SiD 1N4002	R175	0B01857A	RK 1K 1/4W J
			D312L,R	0B06398A	SiD 1SS176	R176	0B09697A	RK 6.8K 1/6W J
			D401	0B12702A	SiD KBL02	R177	0B09699A	RK 8.2K 1/6W J
			D402	0B12604A	SiD W02M	R178	0B09701A	RK 10K 1/6W J
			D403,404	0B12586A	SiD 1N4002	R180L,R	0B09727A	RK 120K 1/6W J
			D405	0B12586A	SiD 1N4002	R201L,R	0B09733A	RK 220K 1/6W J
			D408,409	0B12584A	SiD 1N4148	R202L,R	0B09661A	RK 220 1/6W J
			X101	0B92006A	X'tal 7.2MHz	R203L,R	0B09733A	RK 220K 1/6W J
			CF101,102	0B41899A	Ceramic Filter SFE10.7MA8-RED	R204L,R	0B09661A	RK 220 1/6W J
						R205L,R	0B09733A	RK 220K 1/6W J
						R206L,R	0B09661A	RK 220 1/6W J

Schematic					Schematic					Schematic				
Ref. No.	Part No.	Description			Ref. No.	Part No.	Description			Ref. No.	Part No.	Description		
R207,208	0B09717A	RK	47K	1/6W J	R408	0B09701A	RK	10K	1/6W J	C302L,R	0B09322A	CPP	330P	100V J
R209L,R	0B09701A	RK	10K	1/6W J	R409,410	0B01888A	RK	10K	1/4W J	C303L,R	0B05550A	CML	1000P	50V J
R211L,R	0B09669A	RK	470	1/6W J	R411,412	0B01933A	RK	220	1/4W J	C304L,R	0B41740A	CC	33P	50V J
R212L,R	0B09669A	RK	470	1/6W J	R413,414	0B09263A	RK	12K	1/4W J	C305L,R	0B09277A	CC	10P	50V D
R213L,R	0B09709A	RK	22K	1/6W J	R415,416	0B09263A	RK	12K	1/4W J	C306L,R	0B40045A	CE	3.3	50V (LN)
R214L,R	0B09725A	RK	100K	1/6W J	R417,418	0B05925A	RF	560	1/4W J	C307L,R	0B01400A	CE	100	16V
R215	0B09725A	RK	100K	1/6W J	R420	0B09701A	RK	10K	1/6W J	C308L,R	0B41904A	CC	47P	50V J
R216	0B09717A	RK	47K	1/6W J	R421	0B09675A	RK	820	1/6W J	C309L,R	0B05796A	CML	0.047	50V J
R217L,R	0B09657A	RK	150	1/6W J	TC101	0B42010A	C	Trimmer	10P	C310	0B40250A	CE	100	16V (BP)
R218L,R	0B09743A	RK	560K	1/6W J	C102,103	0B09291A	CC	0.022	50V Z	C311	0B40818A	CE	0.1	50V
R219L,R	0B09718A	RK	51K	1/6W J	C104	0B09292A	CC	0.1	50V Z	C312	0B40784A	CE	4.7	50V
R220L,R	0B09725A	RK	100K	1/6W J	C105	0B09379A	CC	560P	50V K	C313	0B01400A	CE	100	16V
R221L,R	0B22233A	RM	1.1K	1/6W F	C106	0B09276A	CC	5P	50V C	C317L,R	0B05582A	CML	0.022	50V J
R222L,R	0B22542A	RM	560K	1/6W F	C107	0B41215A	CPP	390P	100V J	C318L,R	0B05582A	CML	0.022	50V J
R223L,R	0B22419A	RM	47K	1/6W F	C108	0B41739A	CC	22P	50V J	C319	0B01405A	CE	1	50V
R224L,R	0B09677A	RK	1K	1/6W J	C109	0B09291A	CC	0.022	50V Z	C401,402	0B41901A	CC	0.022	500V Z
R225L,R	0B09725A	RK	100K	1/6W J	C110	0B09292A	CC	0.1	50V Z	C403,404	0B09291A	CC	0.022	50V Z
R231L,R	0B01856A	RK	8.2K	1/4W J	C111	0B05583A	CML	0.033	50V J	C405,406	0B40505A	CE	6800	50V
R232L,R	0B05622A	RK	22K	1/4W J	C112	0B09290A	CC	0.01	50V Z	C407,408	0B05796A	CML	0.047	50V J
R233	0B09717A	RK	47K	1/6W J	C113	0B41870A	CC	12P	50V J	C409	0B40182A	CE	2200	25V
R234	0B09717A	RK	47K	1/6W J	C114	0B01400A	CE	100	16V	C410	0B09313A	CE	100	50V
R235	0B09733A	RK	220K	1/6W J	C115,116	0B09291A	CC	0.022	50V Z	C411	0B40079A	CE	220	16V
R236L,R	0B09717A	RK	47K	1/6W J	C117,118	0B09291A	CC	0.022	50V Z	C412	0B09372A	CE	2.2	50V
R237L,R	0B09695A	RK	5.6K	1/6W J	C126	0B01674A	CE	10	25V	C413	0B09292A	CC	0.1	50V Z
R238L,R	0B09695A	RK	5.6K	1/6W J	C127	0B09291A	CC	0.022	50V Z	C414	0B05899A	CE	220	10V
R301L,R	0B01889A	RK	100K	1/4W J	C128	0B09387A	CC	0.047	50V Z	C415	0B01674A	CE	10	25V
R302L,R	0B01857A	RK	1K	1/4W J	C129	0B01403A	CE	47	16V	C416	0B01400A	CE	100	16V
R303L,R	0B01889A	RK	100K	1/4W J	C130	0B41979A	CC	82P	50V J	S201	0L00202A	Push Switch		
R304L,R	0B05925A	RF	560	1/4W J	C131,132	0B40784A	CE	4.7	50V Z	S301	0L00203A	Push Switch		
R305L,R	0B05925A	RF	560	1/4W J	C133	0B09291A	CC	0.022	50V Z	CN2	0B81762A	5P T-Post		
R306L,R	0B05691A	RK	390	1/4W J	C134	0B01863A	CE	3.3	50V	CN4	0B81763A	6P T-Post		
R307L,R	0B05579A	RK	22	1/4W J	C135	0B09291A	CC	0.022	50V Z	CN5	0B81761A	4P T-Post		
R308L,R	0B05579A	RK	22	1/4W J	C136	0B09290A	CC	0.01	50V Z	CN6	0B81759A	2P T-Post		
R309L,R	0B05623A	RK	1.2K	1/4W J	C137,138	0B09291A	CC	0.022	50V Z	CN9	0C86078A	2P Connector Ass'y		
R310L,R	0B05509A	RK	33K	1/4W J	C139,140	0B09291A	CC	0.022	50V Z			200mm		
R311L,R	0B05576A	RK	470	1/4W J	C141	0B01403A	CE	47	16V	CN10	0B81763A	6P T-Post		
R312L,R	0B01889A	RK	100K	1/4W J	C142	0B01405A	CE	1	50V	CN11	0B81761A	4P T-Post		
R313L,R	0B09273A	RF	39	1/4W J	C143,144	0B41735A	CC	100P	50V J	CN12	0B81759A	2P T-Post		
R314L,R	0B05920A	RF	100	1/4W J	C145	0B09291A	CC	0.022	50V Z	CN15	0L00016A	5P Connector Ass'y		
R315L,R	0B05622A	RK	2.2K	1/4W J	C147	0B40023A	CE	0.22	50V			100mm		
R316L,R	0B05920A	RF	100	1/4W J	C148	0B09291A	CC	0.022	50V Z	CN16	0L00222A	5P Connector Ass'y		
R317L,R	0B05795A	RK	150	1/4W J	C149	0B40080A	CE	330	16V			100mm		
R318L,R	0B05795A	RK	150	1/4W J	C150	0B09148A	CE	10	25V (LN)	FE101	0L00201A	FM Front-end		
R319L,R	0B01933A	RK	220	1/4W J	C151	0B05682A	CML	0.068	50V J			FE337-A07		
R320L,R	0B01888A	RK	10K	1/4W J	C152	0B01405A	CE	1	50V	RL301	0B90331A	Relay		
R321L,R	0B24180A	RC	0.22	2W	C153,154	0B01674A	CE	10	25V			VB24V		
R322L,R	0B24180A	RC	0.22	2W	C155	0B01405A	CE	1	50V			Speaker Terminal		
R323L,R	0B01888A	RK	10K	1/4W J	C156	0B05796A	CML	0.047	50V J			(1)		
R324L,R	0B01889A	RK	100K	1/4W J	C157	0B09287A	CC	680P	50V K			Pin Jack		
R325L,R	0B24181A	RF	10	1W J	C158	0B40023A	CE	0.22	50V			6P (2)		
R326	0B09699A	RK	8.2K	1/6W J	C159	0B01405A	CE	1	50V			Antenna Terminal		
R327	0B09733A	RK	220K	1/6W J	C160L,R	0B41921A	CSP	560P	50V J			4P (2)		
R328	0B01888A	RK	10K	1/4W J	C161L,R	0B01674A	CE	10	25V			Fuse Holder		
R329	0B01889A	RK	100K	1/4W J	C162L,R	0B01913A	CML	1800P	50V J			(2)		
R330L,R	0B20433A	RK	10	1/2W J	C163L,R	0B05550A	CML	1000P	50V J					
R331	0B24183A	RF	560	2W J	C165	0B01403A	CE	47	16V					
R332	0B05641A	RK	47K	1/4W J	C166	0B09291A	CC	0.022	50V Z					
R333	0B01682A	RK	6.8K	1/4W J	C167,168	0B41740A	CC	33P	50V J					
R334	0B20512A	RK	2.2K	1/2W J	C169	0B01400A	CE	100	16V					
R335	0B20524A	RK	6.8K	1/2W J	C170	0B05582A	CML	0.022	50V J					
R336	0B09263A	RK	12K	1/4W J	C171	0B09327A	CE	0.33	50V (LN)					
R337	0B01683A	RK	15K	1/4W J	C172	0B09291A	CC	0.022	50V Z					
R338	0B05508A	RK	56K	1/4W J	C206L,R	0B41894A	CSP	100P	50V J					
R339L,R	0B22233A	RM	1.1K	1/6W F	C208	0B05582A	CML	0.022	50V J					
R340L,R	0B05560A	RK	18K	1/4W J	C209L,R	0B09223A	CE	1	50V (LN)					
R341	0B01846A	RK	4.7K	1/4W J	C211L,R	0B40518A	CE	15	25V (LN)					
R342L,R	0B24184A	RF	330	1W J-S	C212L,R	0B05652A	CML	4700P	50V J					
R345L,R	0B05620A	RK	270K	1/4W J	C213L,R	0B05653A	CML	1500P	50V J					
R401	0B05622A	RK	2.2K	1/4W J	C214L,R	0B09270A	CPP	470P	100V J					
R402	0B05577A	RK	330	1/4W J	C215L,R	0B41895A	CSP	150P	50V J					
R403	0B20514A	RK	100	1/2W J	C216L,R	0B01405A	CE	1	50V					
R404	0B09701A	RK	10K	1/6W J	C221	0B09586A	CC	2200P	50V K					
R405	0B09701A	RK	10K	1/6W J	C222L,R	0B01603A	CML	0.1	50V K					
R406	0B05615A	RK	22K	1/4W J	C223L,R	0B05550A	CML	1000P	50V J					
R407	0B01889A	RK	100K	1/4W J	C301L,R	0B09223A	CE	1	50V (LN)					

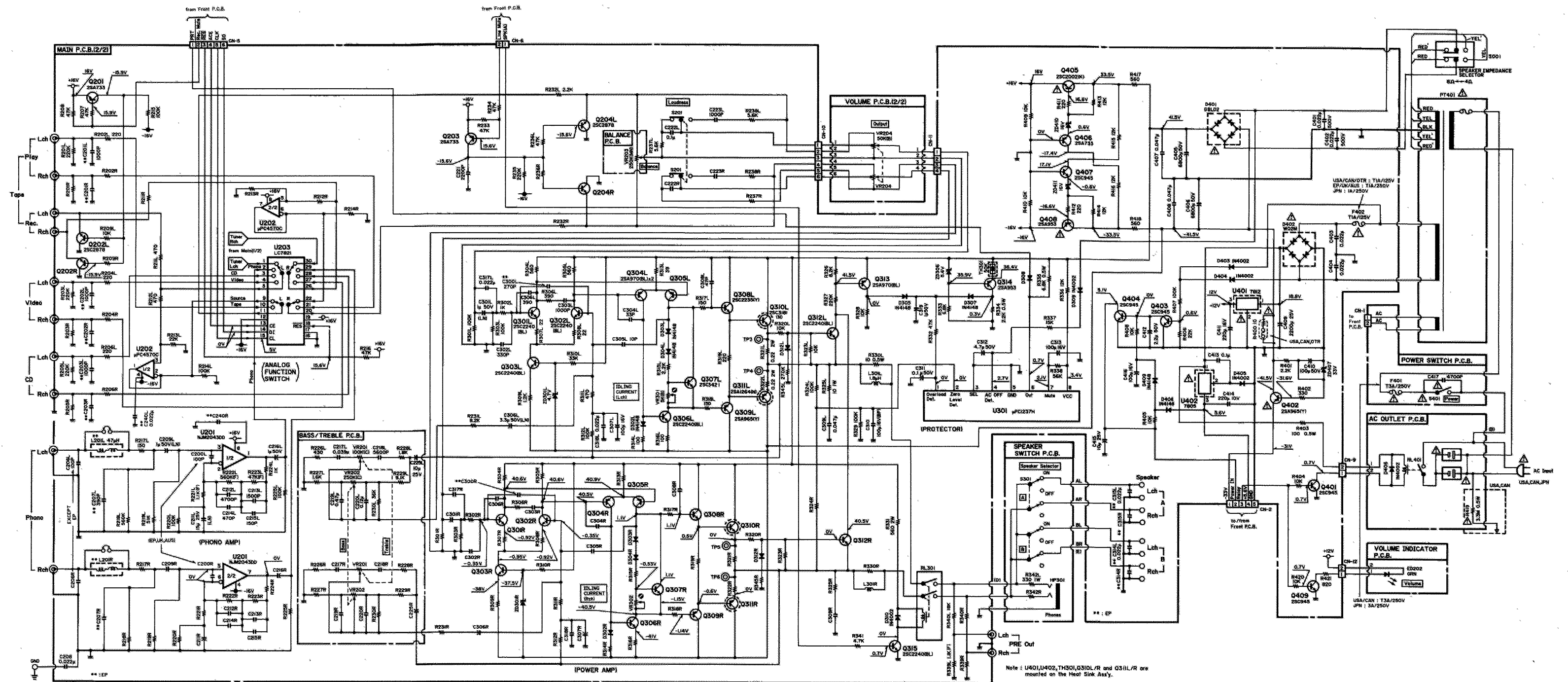
# 4. SCHEMATIC DIAGRAM

## (1) Tuner Section



- NOTES:**
1. Diode is 1SS176, 1SS53, or 1S1555 unless otherwise specified.
  2. Description of electrolytic capacitor: 100/16V = 100μ 16V
  3. Voltage Measuring conditions
    - With no input signal applied to the input terminals.
    - With no load connected to the speaker terminals.

(2) Amplifier Section




Note: U401, U402, TH301, Q310L/R and Q311L/R are mounted on the Heat Sink Assy.

NOTES:

1. Diode is 1SS176, 1SS53, or 1S1555 unless otherwise specified.
2. Description of electrolytic capacitor: 100/16V = 100µ 16V
3. Voltage Measuring conditions
  - With no input signal applied to the input terminals.
  - With no load connected to the speaker terminals.

WARNING

Parts marked with the symbol  in the schematic diagram have critical characteristics. Use ONLY replacement parts recommended by the manufacturer. It is recommended that the unit be operated from a suitable DC supply or batteries during initial check-out procedures.

Nakamichi Corporation 1-153 Suzukicho, Kodaira, Tokyo 187 Phone: (0423) 42-1115  
Nakamichi America Corporation 19701 South Vermont Ave., Torrance, CA 90502 Phone: (310) 538-8150  
Nakamichi Canada 276 South West, Marine Drive, Vancouver, B.C. V5X 2R4 Phone: (604) 324-7535  
Nakamichi Australia Unit 12 620-632 Botany Road, Alexandria, N.S.W. 2015 Phone: (02) 667-0811  
Nakamichi GmbH Praunheimer Landstraße 32 6000 Frankfurt Main 90 Phone: (069) 7682021 (Office), 7682025 (Service)