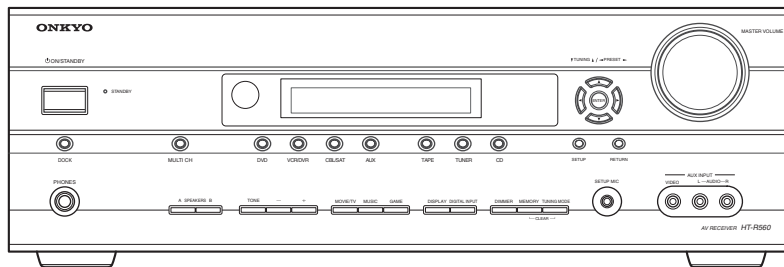


ONKYO SERVICE MANUAL

7.1-CH HOME THEATER RECEIVER MODEL HT-R560



RC-707M

HT-R560 for HT-S5100 Black and Silver models

(HT-S5100 : 7.1ch Home Theater System)


B MDD	120V AC, 60Hz
B MDC, S MDC	120V AC, 60Hz
B MPP	230V AC, 50Hz

HT-R560 for AVX-760LD Black model

(AVX-760LD : 5.1ch Home Theater System)

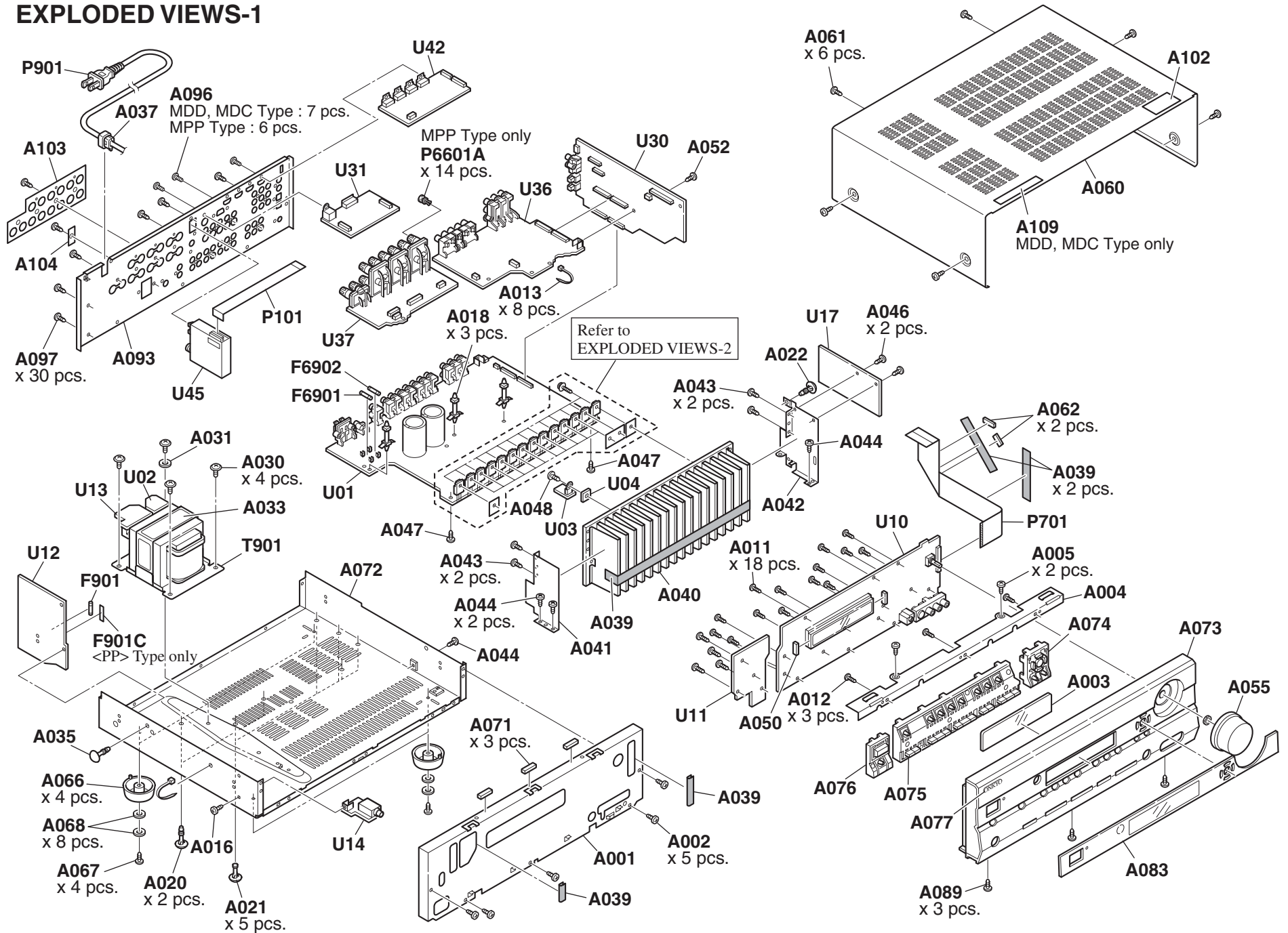
B MDD	120V AC, 60Hz
-------	---------------

SAFETY-RELATED COMPONENT WARNING!!

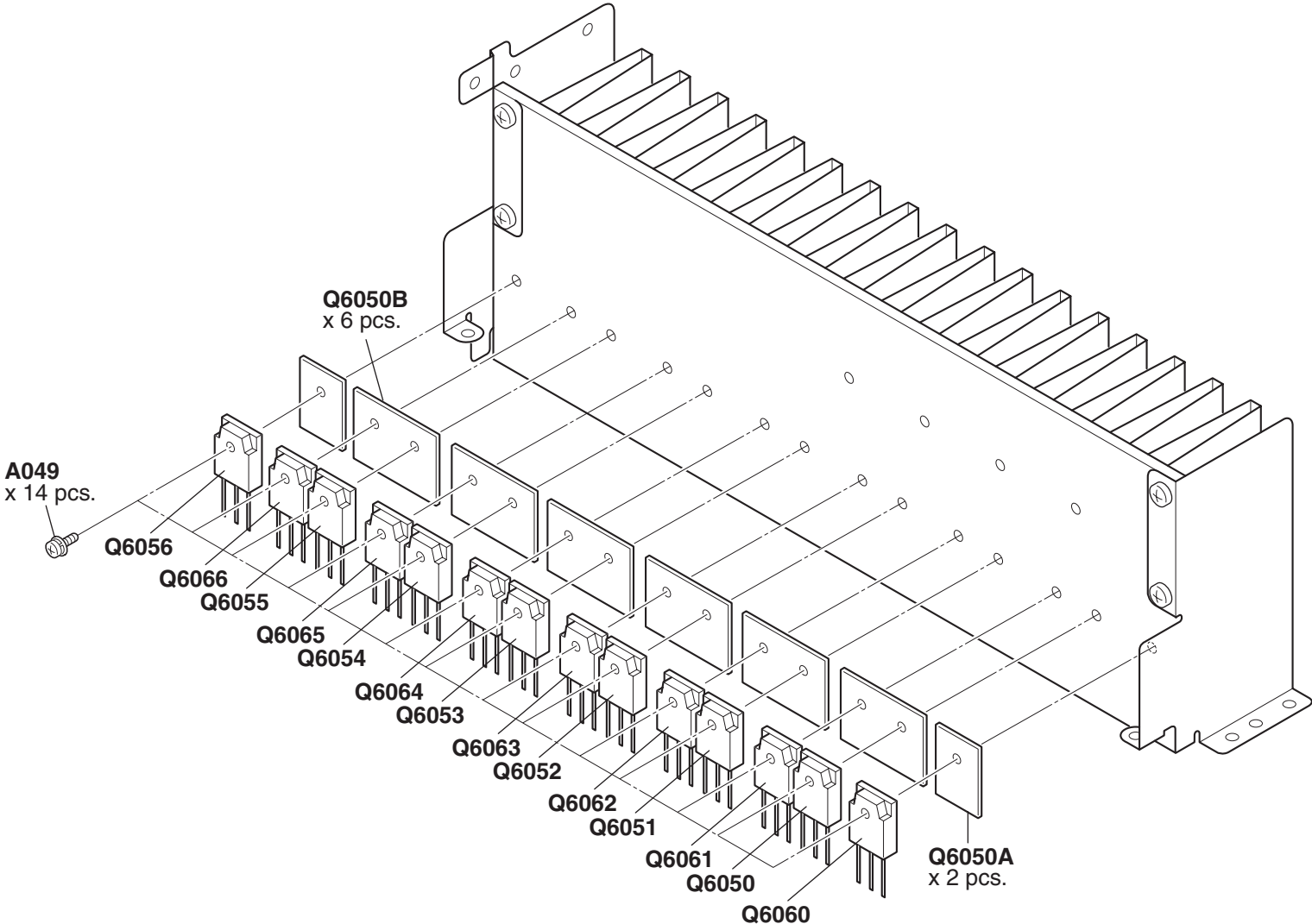
COMPONENTS IDENTIFIED BY MARK  ON THE SCHEMATIC DIAGRAM AND IN THE PARTS LIST ARE CRITICAL FOR RISK OF FIRE AND ELECTRIC SHOCK. REPLACE THESE COMPONENTS WITH ONKYO PARTS WHOSE PART NUMBERS APPEAR AS SHOWN IN THIS MANUAL.

MAKE LEAKAGE-CURRENT OR RESISTANCE MEASUREMENTS TO DETERMINE THAT EXPOSED PARTS ARE ACCEPTABLY INSULATED FROM THE SUPPLY CIRCUIT BEFORE RETURNING THE APPLIANCE TO THE CUSTOMER.

EXPLODED VIEWS-1



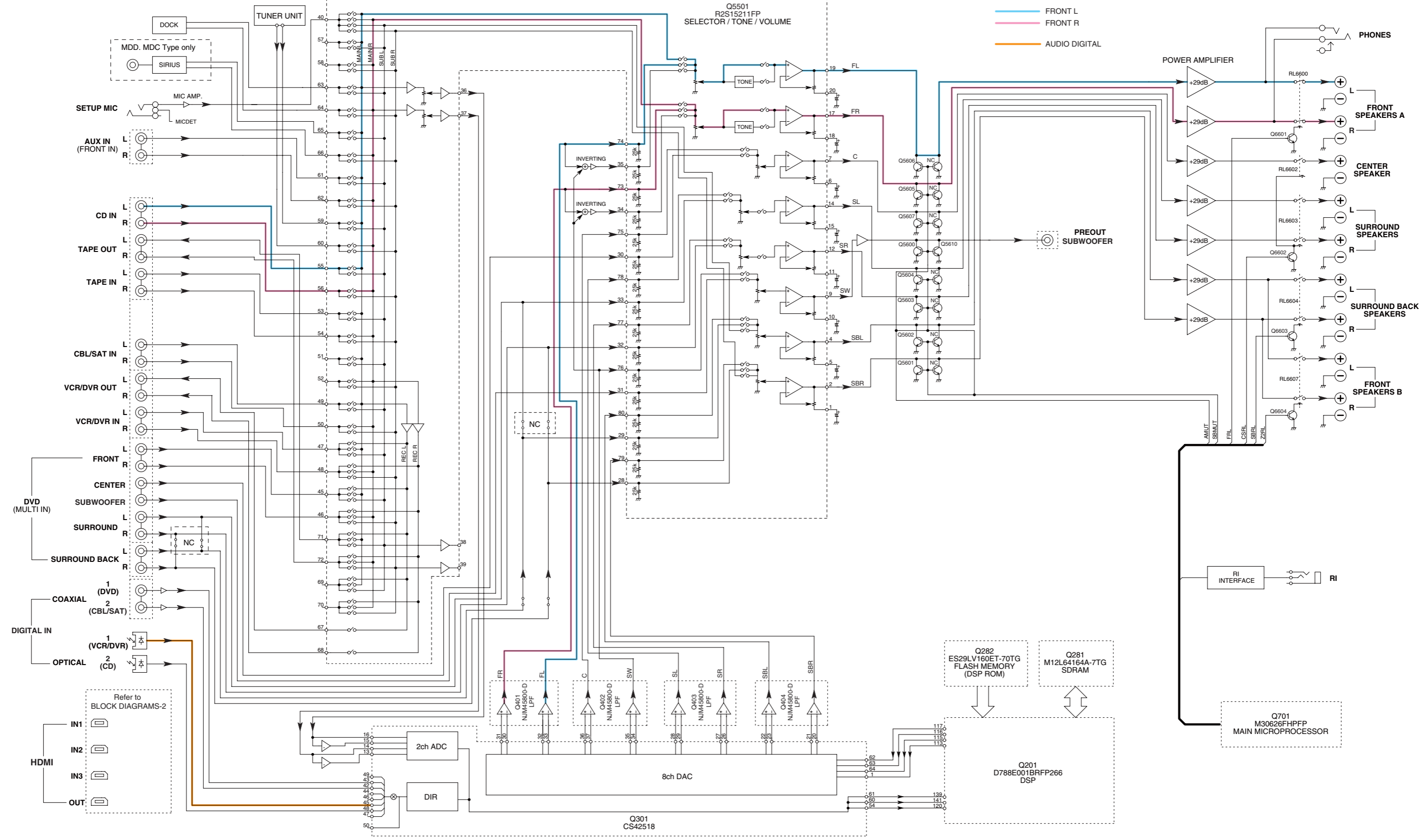
EXPLODED VIEWS-2



BLOCK DIAGRAMS-1 AUDIO SECTION

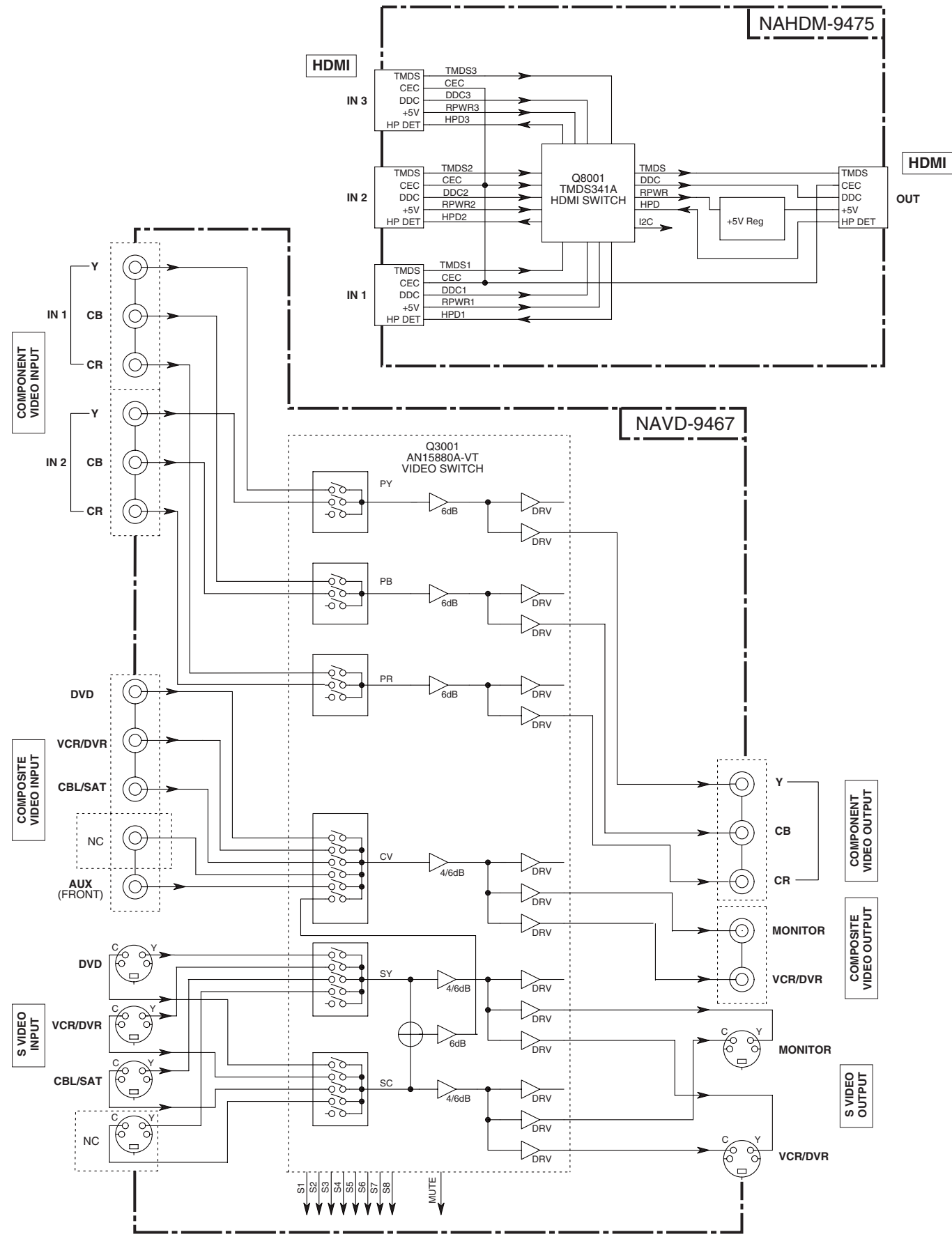
1
2
3
4
5

AUDIO ANALOG
FRONT L
FRONT R
AUDIO DIGITAL



BLOCK DIAGRAMS-2
VIDEO / HDMI SECTION

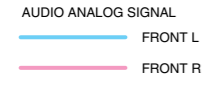
1
2
3
4
5



SCHEMATIC DIAGRAMS-2 (SD-2) POWER AMPLIFIER SECTION

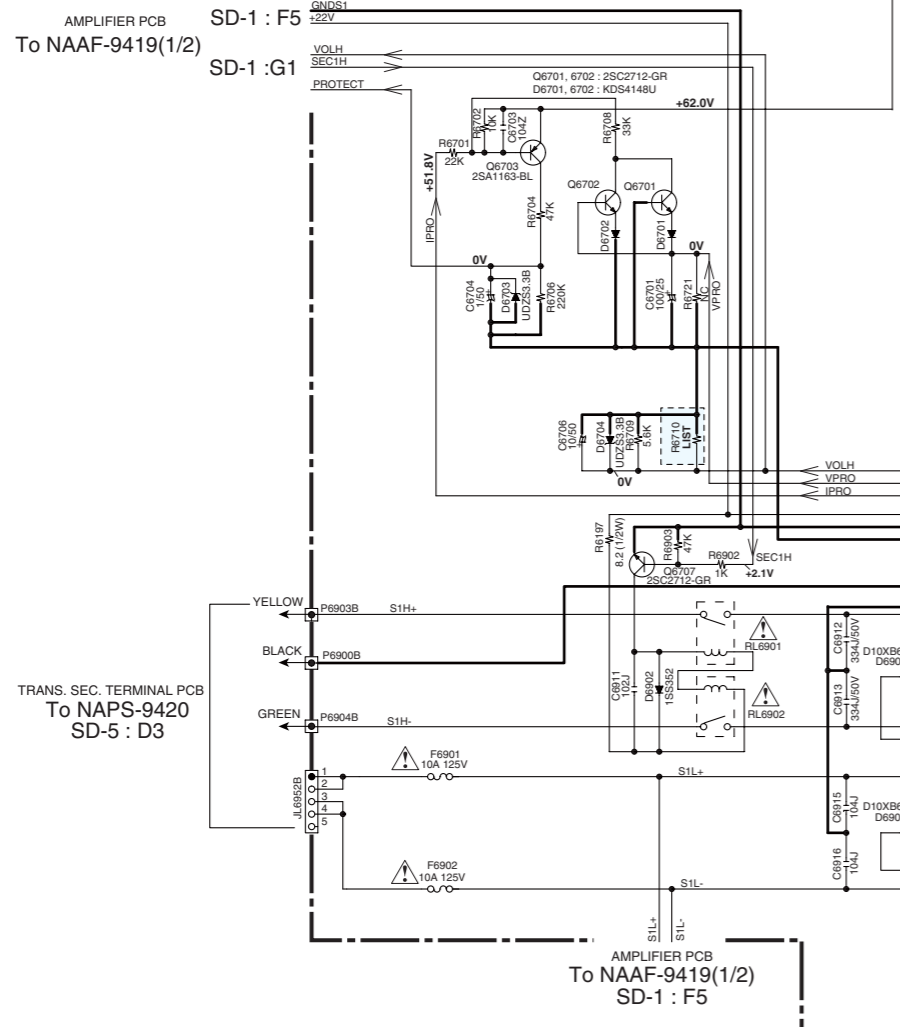
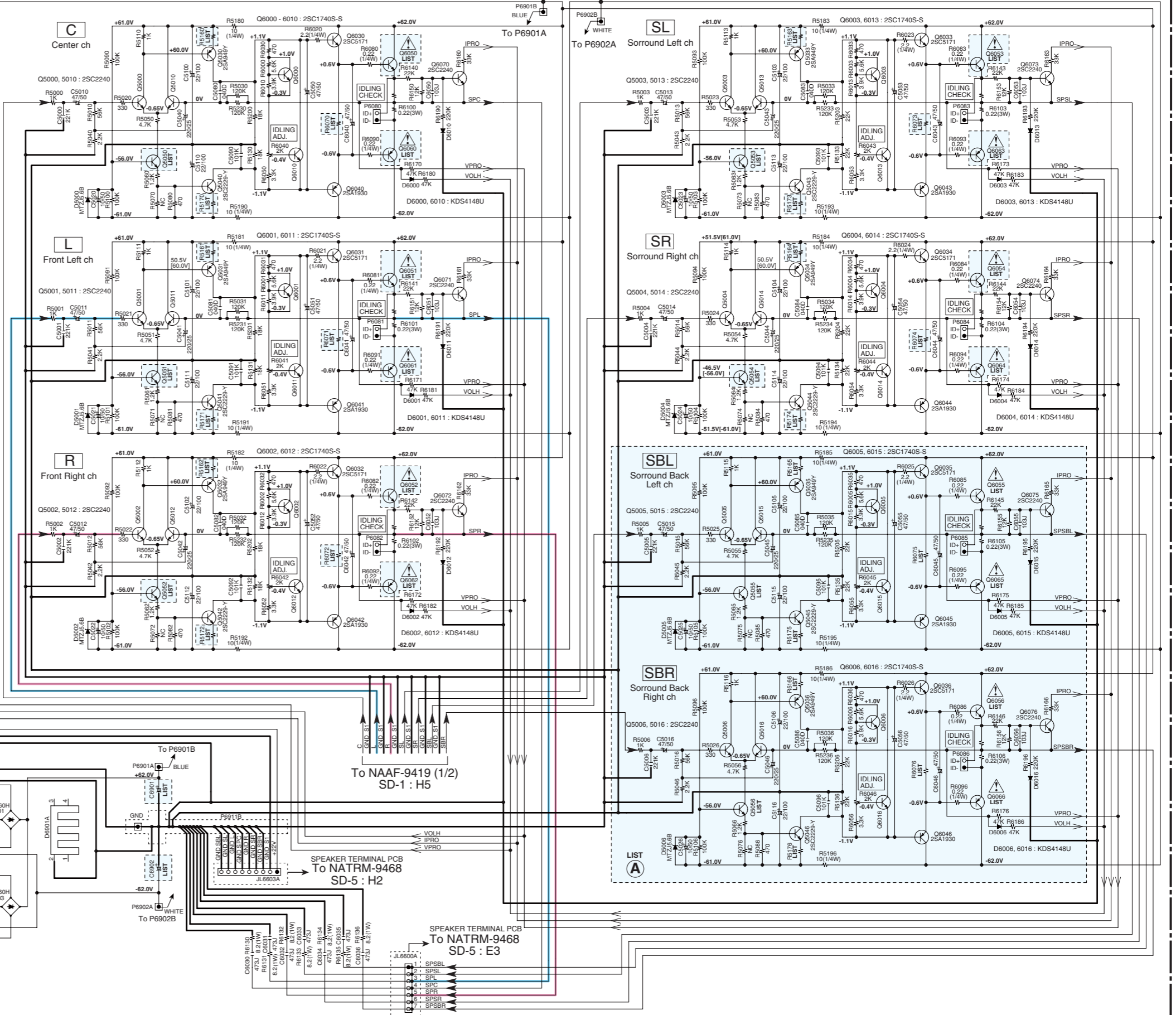
U01 AMPLIFIER PC BOARD NAAF-9419 (2/2)

- <Note>
1. NC = No mount of parts.
 2. SD-x : XY is short for Schematic Diagrams-x and each sockets location, X = A to H, Y = 1 to 5.



Refer to following table about the parts displayed by mark "LIST".

MODEL No.→→	TX-SR506			HT-R518	HT-R560		TX-SR576	HT-R667	HT-R960		
	MDD, MDC	MPP, MPB	MKG, MGO, MGR	MPP	MDD, MDC	MPP	MDD, MDC, MPA	MPP	MDD	MDC	MPP
(A)		Yes		None	Yes		Yes	Yes			Yes
Q6050 - 6052	MN130S	2SC5198	MN130S	2SC5242	2SC5242		MN130S	2SC5198	2SC5242		2SC5242
Q6060 - 6062	MP130S	2SA1941	MP130S	2SA1962	2SA1962		MP130S	2SA1941	2SA1962		2SA1962
Q6053 - 6054	MN130S	2SC5198	MN130S	2SC5242	2SC5242		MN130S	2SC5198	2SC5242		2SC5242
Q6063 - 6064	MP130S	2SA1941	MP130S	2SA1962	2SA1962		MP130S	2SA1941	2SA1962		2SA1962
Q6055 - 6056	2SC5198	2SC5198	MN130S	None	2SC5242		2SC5198	2SC5198	2SC5242		2SC5242
Q6065 - 6066	2SA1941	2SA1941	2SA1941	None	2SA1962		2SA1941	2SA1962	2SA1962		2SA1962
C6901, 6902	8200/63			10000/69	10000/63		10000/63	10000/63	10000/69		10000/69
Q5050 - 56	2SC1815			2SC2240	2SC2240		2SC1815	2SC1815	2SC2240		2SC2240
R5160 - 5166	100(1/4W)			150(1/4W)	150(1/4W)		100(1/4W)	100(1/4W)	150(1/4W)		150(1/4W)
R5170 - 5176	100(1/4W)			150(1/4W)	150(1/4W)		100(1/4W)	100(1/4W)	150(1/4W)		150(1/4W)
R6070 - 6072	82(1/4W)			120(1/4W)	120(1/4W)		82(1/4W)	82(1/4W)	120(1/4W)		120(1/4W)
R6073 - 6076	100(1/4W)			120(1/4W)	120(1/4W)		100(1/4W)	100(1/4W)	120(1/4W)		120(1/4W)
R6710	5.6K			5.6K	4.7K		5.6K	5.6K	4.7K		4.7K



1

2

3

4

5

SCHEMATIC DIAGRAMS-3 (SD-3)

MICROPROCESSOR SECTION

DISPLAY PCB
To NADIS-9430
SD-6 : H1

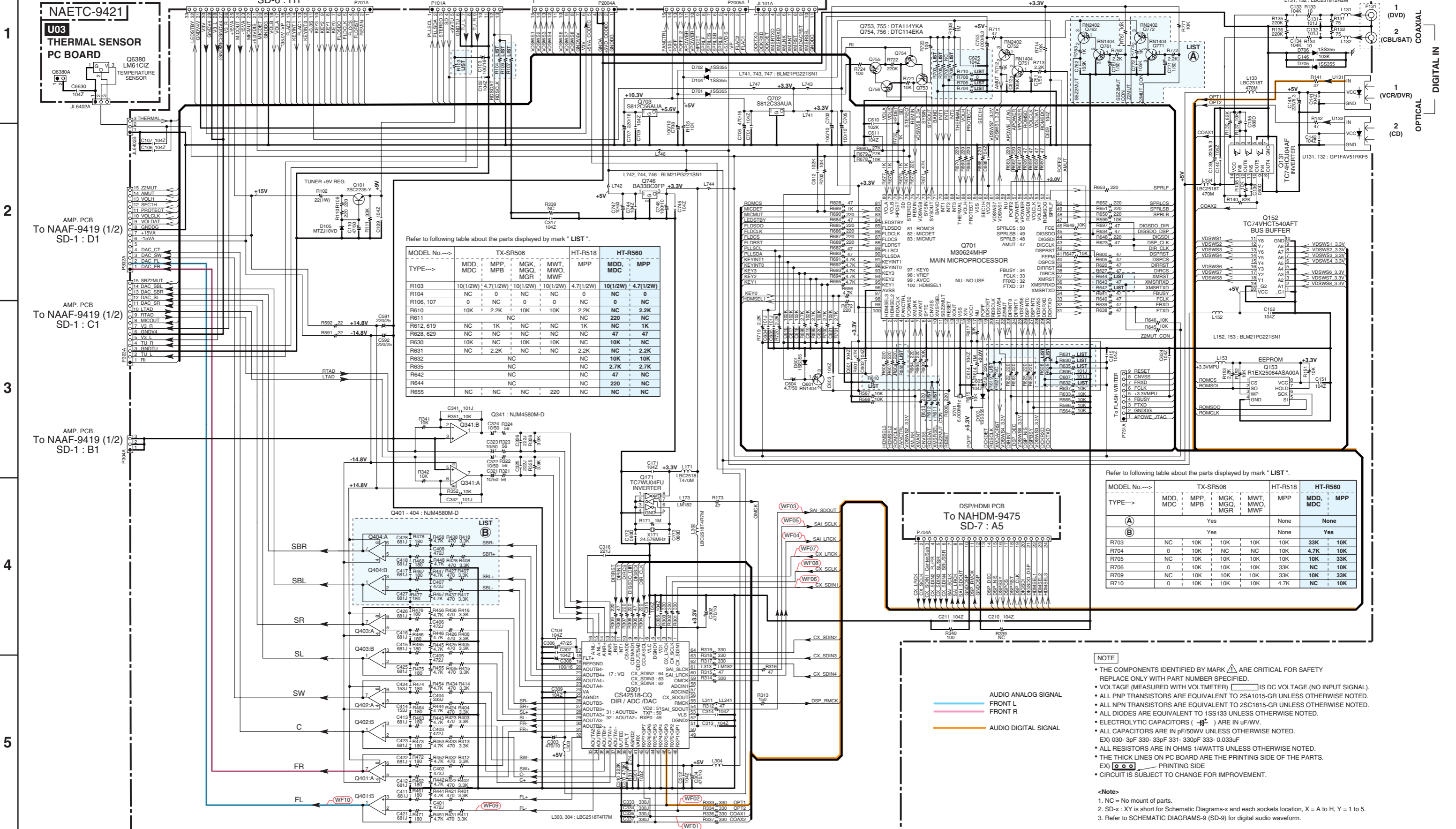
To TUNER UNIT

VIDEO PCB
To NAVD-9467
SD-4 : H4

SIRIUS/DOCK TERMINAL PCB
To NARF-9458
SD-8 : E3

U30 MICROPROCESSOR PC BOARD

NADG-9457



Refer to following table about the parts displayed by mark * LIST *

MODEL No. -->	TX-SR506		HT-R518		HT-R560	
	MDD, MDC	MPP, MPB	MGK, MGQ, MGR	MWT, MWO, MWF	MDD, MDC	MPP
R103	10(1/2W)	4.7(1/2W)	10(1/2W)	10(1/2W)	10(1/2W)	4.7(1/2W)
R104	NC	NC	NC	NC	NC	0
R106, 107	0	NC	0	NC	0	NC
R610	10K	2.2K	10K	10K	2.2K	2.2K
R611	NC	NC	NC	NC	220	1K
R612, 619	NC	1K	NC	NC	1K	1K
R626, 629	NC	NC	NC	NC	47	47
R630	10K	NC	10K	10K	10K	NC
R631	NC	2.2K	NC	NC	2.2K	2.2K
R632	NC	NC	NC	NC	10K	10K
R635	NC	NC	NC	NC	2.7K	2.7K
R642	NC	NC	NC	NC	47	NC
R644	NC	NC	NC	NC	220	NC
R655	NC	NC	NC	NC	NC	NC

Refer to following table about the parts displayed by mark * LIST *

MODEL No. -->	TX-SR506		HT-R518		HT-R560	
	MDD, MDC	MPP, MPB	MGK, MGQ, MGR	MWT, MWO, MWF	MDD, MDC	MPP
(A)	Yes	Yes	Yes	Yes	None	None
(B)	Yes	Yes	None	None	None	Yes
R703	NC	10K	10K	10K	10K	33K
R704	0	10K	NC	NC	10K	4.7K
R705	NC	10K	10K	10K	10K	33K
R706	0	10K	10K	10K	33K	NC
R709	NC	10K	10K	10K	33K	10K
R710	0	10K	10K	10K	4.7K	10K

- NOTE**
- THE COMPONENTS IDENTIFIED BY MARK Δ ARE CRITICAL FOR SAFETY. REPLACE ONLY WITH PART NUMBER SPECIFIED.
 - VOLTAGE (MEASURED WITH VOLTMETER) \square IS DC VOLTAGE. (NO INPUT SIGNAL).
 - ALL PNP TRANSISTORS ARE EQUIVALENT TO 2SA1015-GR UNLESS OTHERWISE NOTED.
 - ALL NPN TRANSISTORS ARE EQUIVALENT TO 2SC1815-GR UNLESS OTHERWISE NOTED.
 - ALL DIODES ARE EQUIVALENT TO 1S133 UNLESS OTHERWISE NOTED.
 - ELECTROLYTIC CAPACITORS (---) ARE IN μ F/WV.
 - ALL CAPACITORS ARE IN pF/50WV UNLESS OTHERWISE NOTED.
 - EX) 030-3pF 330-33pF 331-330pF 333-0.033uF
 - ALL RESISTORS ARE IN OHMS 1/4WATTS UNLESS OTHERWISE NOTED.
 - THE THICK LINES ON PC BOARD ARE THE PRINTING SIDE OF THE PARTS.
 - EX) \square PRINTING SIDE
 - CIRCUIT IS SUBJECT TO CHANGE FOR IMPROVEMENT.

<Note>

1. NC = No mount of parts.
2. SD-x : XY is short for Schematic Diagrams-x and each sockets location, X = A to H, Y = 1 to 5.
3. Refer to SCHEMATIC DIAGRAMS-9 (SD-9) for digital audio waveform.

1 NAETC-9421

2 AMP. PCB
To NAAF-9419 (1/2)
SD-1 : D1

AMP. PCB
To NAAF-9419 (1/2)
SD-1 : C1

3 AMP. PCB
To NAAF-9419 (1/2)
SD-1 : B1

4

5

1 (DVD)
2 (CBL/SAT)
COAXIAL

1 (VCR/DVR)
2 (CD)
OPTICAL

AUDIO ANALOG SIGNAL

FRONT L

FRONT R

AUDIO DIGITAL SIGNAL

SCHEMATIC DIAGRAMS-4 (SD-4) VIDEO SECTION

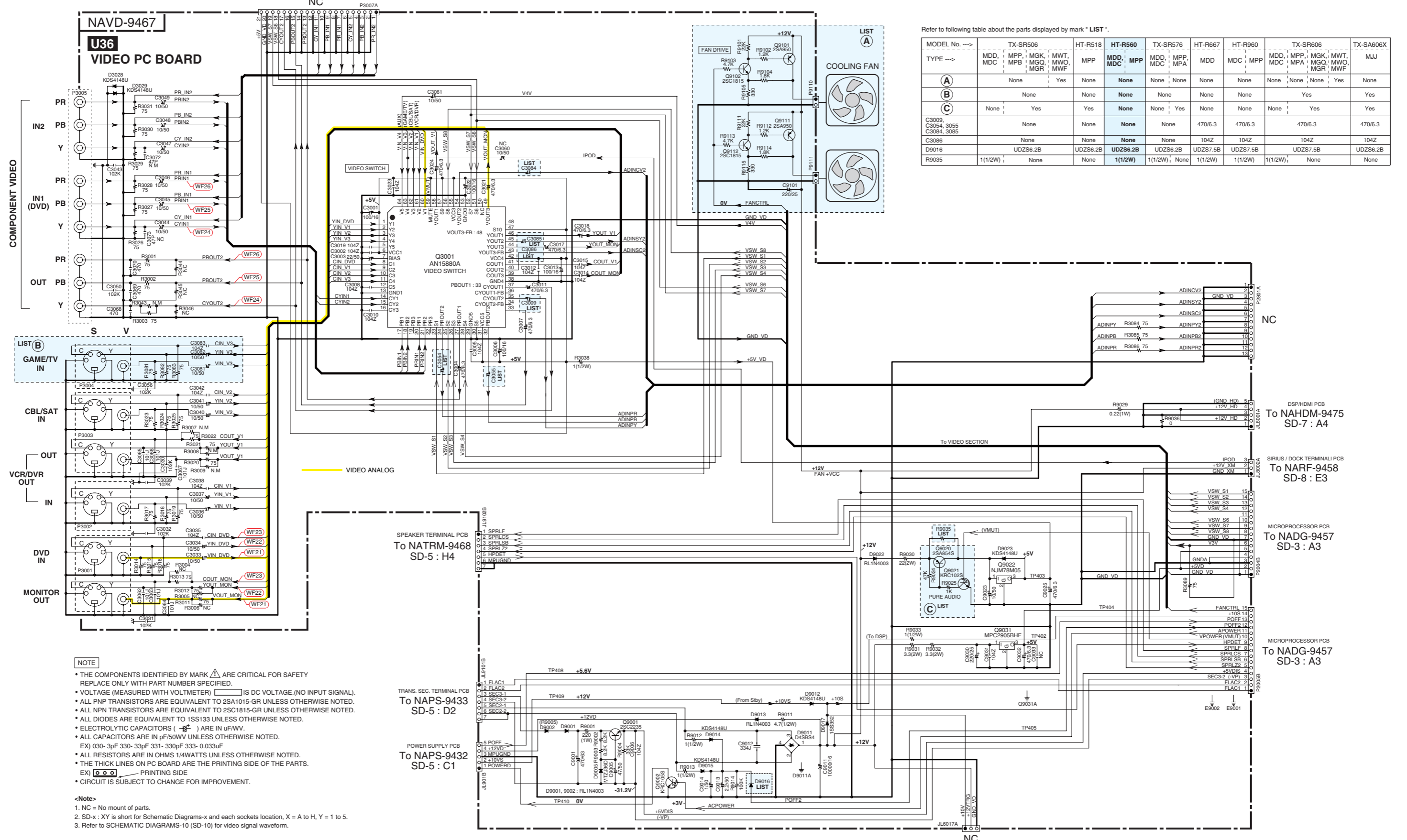
1

2

3

4

5



Refer to following table about the parts displayed by mark "LIST".

MODEL No. --->	TX-SR506	HT-R518	HT-R560	TX-SR576	HT-R667	HT-R960	TX-SR606	TX-SA606X
TYPE --->	MDD, MDC	MPP, MGP, MGR	MPP, MGP, MGR	MDD, MDC	MDD, MDC	MPP, MPA	MDD, MDC	MPP, MPA
(A)	None	Yes	None	None	None	None	None	None
(B)	None	Yes	Yes	None	None	None	None	Yes
(C)	None	Yes	Yes	None	None	None	None	Yes
C3009, C3054, 3055, C3084, 3085	None	None	None	None	470/6.3	470/6.3	None	470/6.3
C3086	None	None	None	None	104Z	104Z	None	104Z
D9016	UDZS6.2B	UDZS6.2B	UDZS6.2B	UDZS6.2B	UDZS7.5B	UDZS7.5B	UDZS7.5B	UDZS6.2B
R9035	1(1/2W)	None	None	1(1/2W)	None	1(1/2W)	1(1/2W)	None

NOTE

- THE COMPONENTS IDENTIFIED BY MARK Δ ARE CRITICAL FOR SAFETY. REPLACE ONLY WITH PART NUMBER SPECIFIED.
- VOLTAGE (MEASURED WITH VOLTMETER) \square IS DC VOLTAGE (NO INPUT SIGNAL).
- ALL PNP TRANSISTORS ARE EQUIVALENT TO 2SA1015-GR UNLESS OTHERWISE NOTED.
- ALL NPN TRANSISTORS ARE EQUIVALENT TO 2SC1815-GR UNLESS OTHERWISE NOTED.
- ALL DIODES ARE EQUIVALENT TO 1SS133 UNLESS OTHERWISE NOTED.
- ELECTROLYTIC CAPACITORS (---) ARE IN $\mu\text{F/WV}$.
- ALL CAPACITORS ARE IN pF/50WV UNLESS OTHERWISE NOTED.
EX) 030-3pF 330-33pF 331-330pF 333-0.033 μF
- ALL RESISTORS ARE IN OHMS 1/4WATTS UNLESS OTHERWISE NOTED.
- THE THICK LINES ON PC BOARD ARE THE PRINTING SIDE OF THE PARTS.
- EX) \square PRINTING SIDE
- CIRCUIT IS SUBJECT TO CHANGE FOR IMPROVEMENT.

<Note>

1. NC = No mount of parts.
2. SD-x : XY is short for Schematic Diagrams-x and each sockets location, X = A to H, Y = 1 to 5.
3. Refer to SCHEMATIC DIAGRAMS-10 (SD-10) for video signal waveform.

DSP/HDMI PCB
To NAHDM-9475
SD-7 : A4

SIRIUS / DOCK TERMINAL PCB
To NARF-9458
SD-8 : E3

MICROPROCESSOR PCB
To NADG-9457
SD-3 : A3

MICROPROCESSOR PCB
To NADG-9457
SD-3 : A3

SCHEMATIC DIAGRAMS-5 (SD-5)
SPEAKER TERMINAL / POWER SUPPLY SECTION

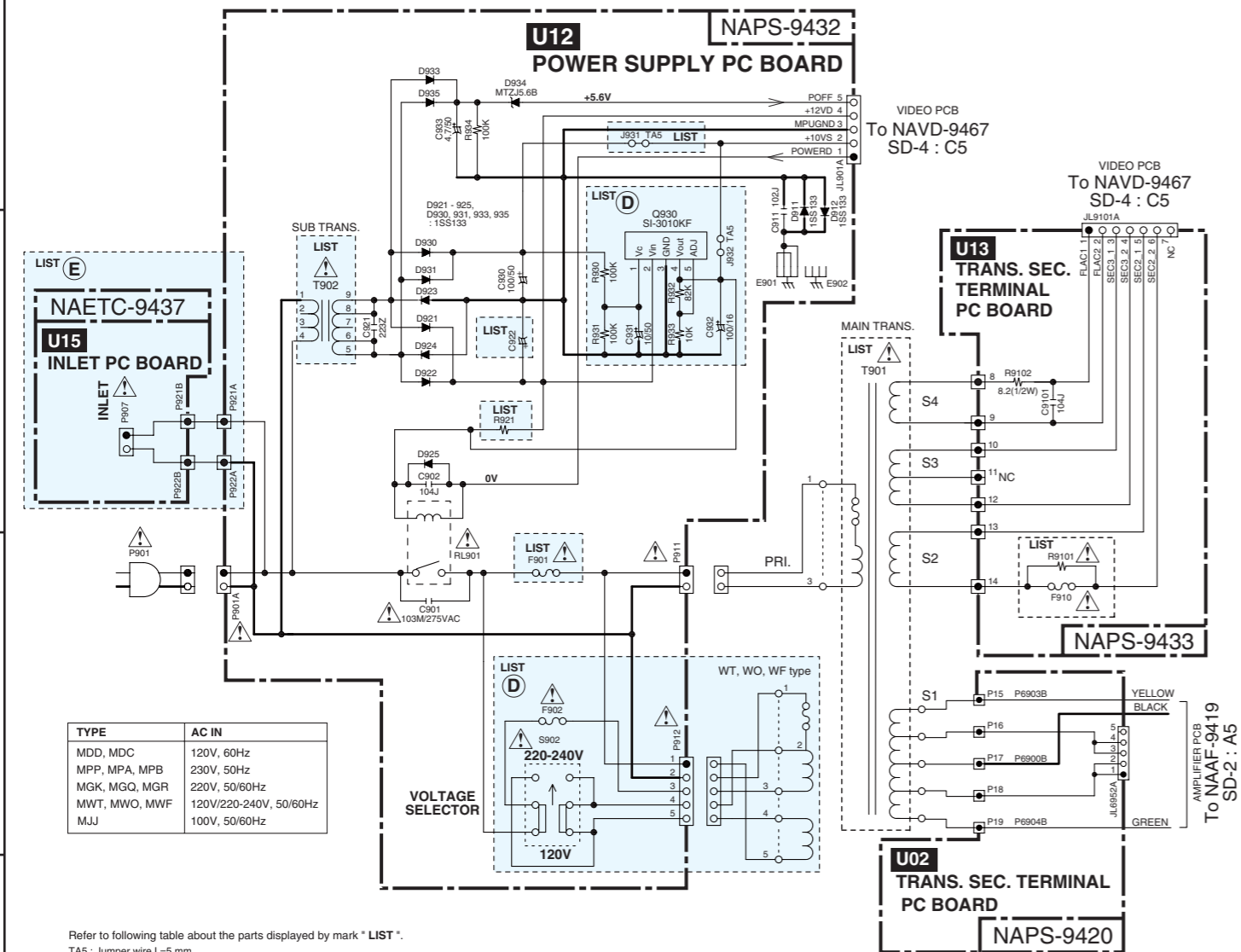
1

2

3

4

5



Refer to following table about the parts displayed by mark * LIST *.
TA5 : Jumper wire L=5 mm

MODEL No. -->	TX-SR506			HT-R518	HT-R560		TX-SR576		HT-R667	HT-R960		TX-SR606			TX-SA606X		
TYPE -->	MDD, MDC	MPP, MPB	MGK, MGQ, MGR	MWT, MWO, MWF	MPP	MDD, MDC	MPP	MDD, MDC	MPP, MPA	MDD	MDC	MPP	MDD, MDC	MPP, MPA, MPB	MGK, MGQ, MGR	MWT, MWO, MWF	MJJ
(D)	None	None	None	Yes	None	None	None	None	None	None	None	None	None	None	None	Yes	None
(E)	None	None	None	None	None	None	None	None	None	None	None	None	None	None	None	None	Yes
T901 NPT-	1516D	1516P	1516P	1516DG	1517P	1517D	1517P	1516D	1516P	1574D	1574D	1574P	1552D	1552P	1552G	1552DQ	1552J
T902 NPT-	1520JQ	1520GQ	1520GQ	1520JQ	1520JQ	1520JQ	1520GQ	1520JQ	1520GQ	1520JQ	1520GQ	1520GQ	1520JQ	1520GQ	1520GQ	1520JQ	1520JQ
C922	2200/25	2200/16	2200/35	2200/16	2200/25	2200/16	2200/25	2200/25	2200/16	2200/25	2200/16	2200/25	2200/25	2200/16	2200/35	2200/16	2200/16
R921	47(1/2W)	47(1/2W)	None	47(1/2W)	47(1/2W)	47(1/2W)	47(1/2W)	47(1/2W)	47(1/2W)	47(1/2W)	47(1/2W)	47(1/2W)	47(1/2W)	47(1/2W)	47(1/2W)	47(1/2W)	47(1/2W)
R9101	0.1(1/2W)	0.22(1/W)	None	0.22(1/W)	0.1(1/2W)	0.22(1/W)	0.1(1/2W)	0.1(1/2W)	0.22(1/W)	0.1(1/2W)	0.1(1/2W)	0.22(1/W)	None	None	None	None	None
F901	8A/125V	4A/250V	4A/250V	8A/125V	4A/250V	8A/125V	4A/250V	8A/125V	4A/250V	8A/125V	4A/250V	10A/250V	5A/250V	5A/250V	5A/250V	12A/250V	5A/125V
F902	None	None	4A/250V	None	None	None	None	None	None	None	None	None	None	None	None	None	None
F910	None	None	None	None	None	None	None	None	None	None	None	None	None	None	None	None	None
J931	Yes	None	None	Yes	Yes	Yes	Yes	Yes	Yes	Yes	Yes	Yes	Yes	None	None	None	Yes

CAUTION
FOR CONTINUED PROTECTION AGAINST FIRE HAZARD, REPLACE ONLY WITH FUSE OF SAME TYPE AND RATING INDICATED.

ATTENTION
AFIN D'ASSURER UNE PROTECTION PERMANENTE CONTRE LES RISQUES D'INCENDIE, REMPLACER UNIQUEMENT PAR UN FUSIBLE DE MEME TYPE ET CALIBRATION COMME INDIQUE.

NOTE
THIS SYMBOL LOCATED NEAR THE FUSE INDICATES THAT THE FUSE USED IS SLOW OPERATING TYPE FOR CONTINUED PROTECTION AGAINST FIRE HAZARD. REPLACE WITH SAME TYPE FUSE. FOR FUSE RATING REFER TO THE MARKING ADJACENT TO THE SYMBOL.

CE SYMBOLE INDIQUE QUE LE FUSIBLE UTILISE EST LE LENT. POUR UNE PROTECTION PERMANENTE, N'UTILISER QUE DES FUSIBLES DE MEME TYPE. CE DERNIER EST INDIQUE LA OU LE PRESENT SYMBOLE EST APPOSE.

- NOTE**
- THE COMPONENTS IDENTIFIED BY MARK Δ ARE CRITICAL FOR SAFETY REPLACE ONLY WITH PART NUMBER SPECIFIED.
 - VOLTAGE (MEASURED WITH VOLTMETER) \square IS DC VOLTAGE. (NO INPUT SIGNAL).
 - ALL PNP TRANSISTORS ARE EQUIVALENT TO 2SA1015-GR UNLESS OTHERWISE NOTED.
 - ALL NPN TRANSISTORS ARE EQUIVALENT TO 2SC1815-GR UNLESS OTHERWISE NOTED.
 - ALL DIODES ARE EQUIVALENT TO 1SS133 UNLESS OTHERWISE NOTED.
 - ELECTROLYTIC CAPACITORS (---) ARE IN $\mu\text{F}/\text{VW}$.
 - ALL CAPACITORS ARE IN pF/50V UNLESS OTHERWISE NOTED. EX) 030-3pF 330-33pF 331-330pF 333-0.033uF
 - ALL RESISTORS ARE IN OHMS 1/4WATTS UNLESS OTHERWISE NOTED.
 - THE THICK LINES ON PC BOARD ARE THE PRINTING SIDE OF THE PARTS. EX) \square PRINTING SIDE
 - CIRCUIT IS SUBJECT TO CHANGE FOR IMPROVEMENT.

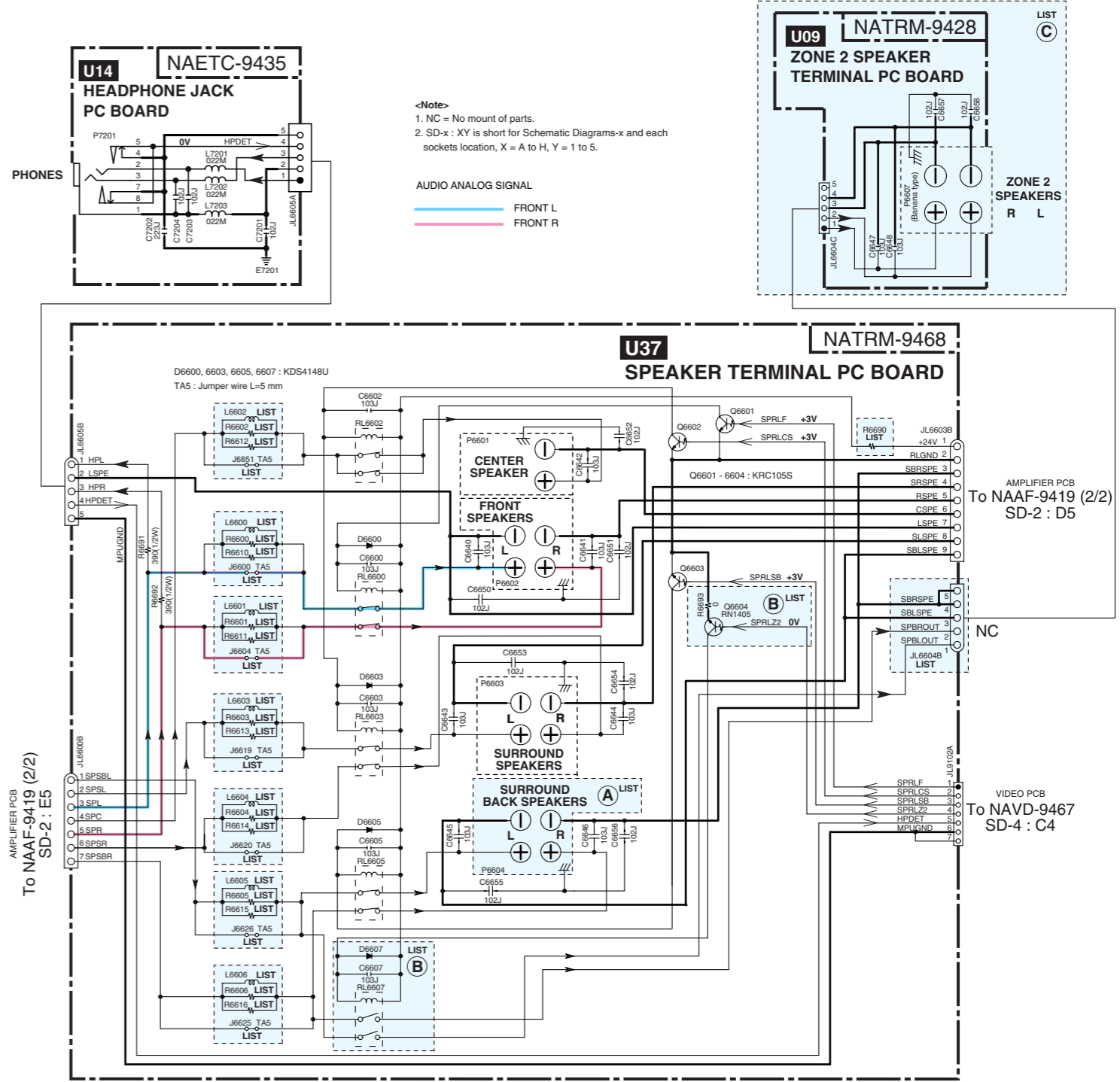
1

2

3

4

5



Refer to following table about the parts displayed by mark * LIST *.

MODEL No. -->	TX-SR506			HT-R518	HT-R560		TX-SR576		HT-R667	HT-R960		TX-SR606			TX-SA606X		
TYPE -->	MDD, MDC	MPP, MPB	MGK, MGQ, MGR	MWT, MWO, MWF	MPP	MDD, MDC	MPP	MDD, MDC	MPP, MPA	MDD	MDC	MPP	MDD, MDC	MPP, MPA, MPB	MGK, MGQ, MGR	MWT, MWO, MWF	MJJ
(A)	Yes	None	None	Yes	None	None	None	None	None	None	None	None	None	None	None	Yes	None
(B)	None	None	None	None	None	None	None	None	None	None	None	None	None	None	None	None	None
(C)	None	None	None	None	None	None	None	None	None	None	None	None	None	None	None	None	None
L6600 - 6604	None	S-1.3C	S1.3C	None	S-1.3C	None	S-1.3C	None	S-1.3C	None	S-1.3C	None	S-1.3C	None	S-1.3C	None	None
L6605, 6606	None	S-1.3C	None	None	S-1.3C	None	S-1.3C	None	S-1.3C	None	S-1.3C	None	S-1.3C	None	S-1.3C	None	None
R6600 - 6606, R6610 - 6616	None	22	22	None	22	None	22	None	22	None	22	None	22	None	22	None	None
R6605, 6606, R6615, 6616	None	22	None	None	22	None	22	None	22	None	22	None	22	None	22	None	None
R6690	10(1/2W)	33(1/2W)	33(1/2W)	10(1/2W)	33(1/2W)	33(1/2W)	10(1/2W)	33(1/2W)	33(1/2W)	33(1/2W)	10(1/2W)	10(1/2W)	10(1/2W)	10(1/2W)	10(1/2W)	10(1/2W)	10(1/2W)
J6600, 6604, J6619, 6620, J6625, 6626, 6651	TA5	None	None	Yes	None	Yes	None	Yes	None	Yes	None	Yes	None	Yes	None	None	Yes
JL6604B	Yes	None	None	Yes	None	Yes	None	Yes	None	Yes	None	Yes	None	Yes	None	None	None

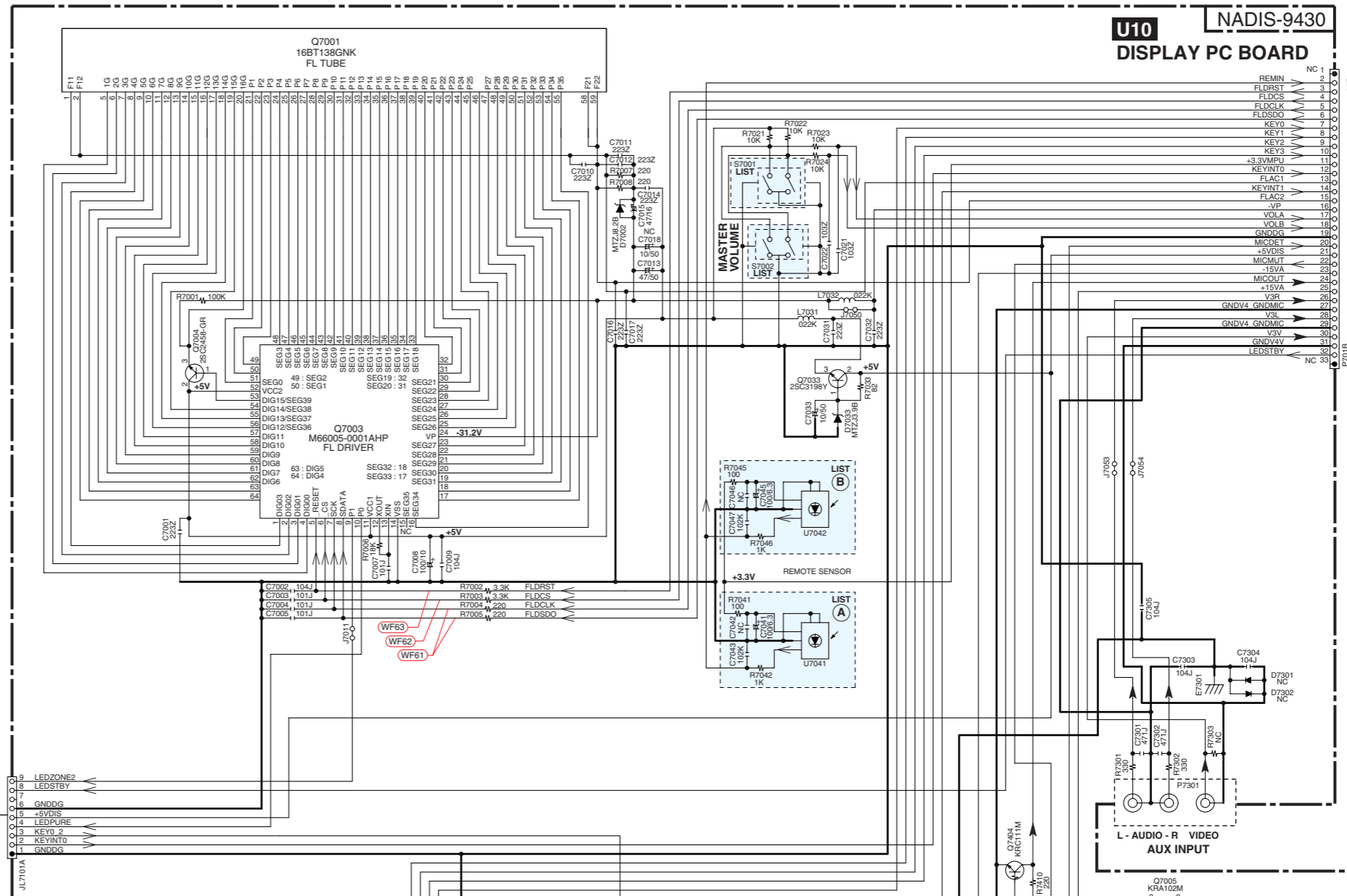
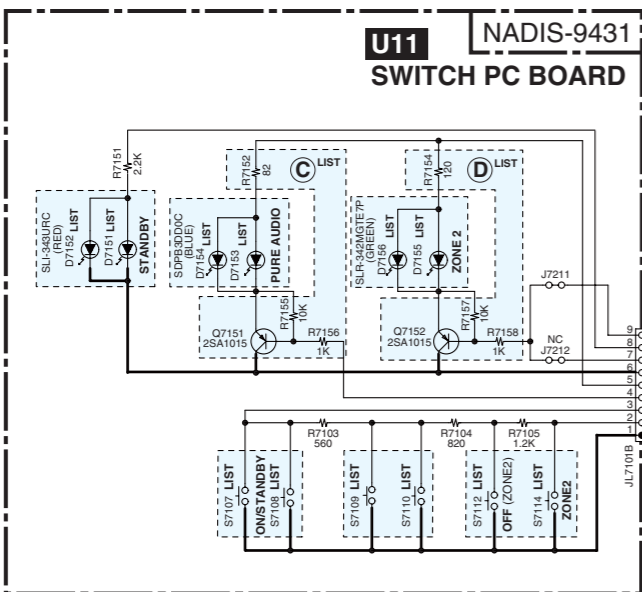
SCHEMATIC DIAGRAMS-6 (SD-6) DISPLAY SECTION

NOTE

- THE COMPONENTS IDENTIFIED BY MARK Δ ARE CRITICAL FOR SAFETY. REPLACE ONLY WITH PART NUMBER SPECIFIED.
- VOLTAGE (MEASURED WITH VOLTMETER) \square IS DC VOLTAGE. (NO INPUT SIGNAL).
- ALL PNP TRANSISTORS ARE EQUIVALENT TO 2SA1015-GR UNLESS OTHERWISE NOTED.
- ALL NPN TRANSISTORS ARE EQUIVALENT TO 2SC1815-GR UNLESS OTHERWISE NOTED.
- ALL DIODES ARE EQUIVALENT TO 1SS133 UNLESS OTHERWISE NOTED.
- ELECTROLYTIC CAPACITORS (---) ARE IN $\mu\text{F}/\text{VW}$.
- ALL CAPACITORS ARE IN pF/50WV UNLESS OTHERWISE NOTED.
- EX) 030-3pF 330-33pF 331-330pF 333-0.033 μF
- ALL RESISTORS ARE IN OHMS 1/4WATTS UNLESS OTHERWISE NOTED.
- THE THICK LINES ON PC BOARD ARE THE PRINTING SIDE OF THE PARTS.
- EX) \square PRINTING SIDE
- CIRCUIT IS SUBJECT TO CHANGE FOR IMPROVEMENT.

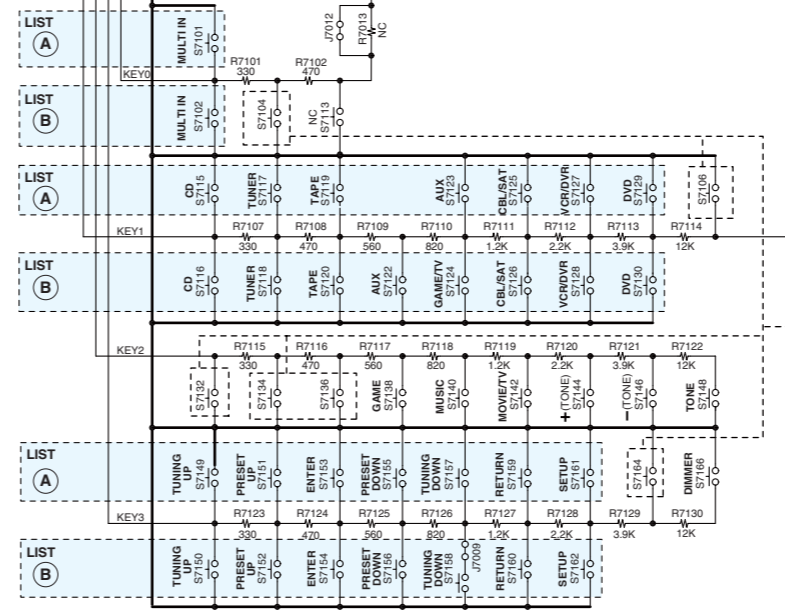
<NC>

1. NC = No mount of parts.
2. SD-x : XY is short for Schematic Diagrams-x and each sockets location, X = A to H, Y = 1 to 5.
3. Refer to SCHEMATIC DIAGRAMS-11 (SD-11) for FL driver IC control waveform.



Refer to following table about the parts displayed by mark * LIST *.

MODEL No.---->	TX-SR506	HT-R518	HT-R560	TX-SR576	HT-R667	HT-R660	TX-SR606	TX-SA606X	
TYPE-->	MDD, MDC	MPP; MGK; MW; MPB; MGQ; MW; MGR; MWF	MPP	MDD; MPP	MDD, MDC	MPP, MPA	MDD, MDC	MPP; MGK; MW; MPA; MGQ; MW; MFB; MGR; MWF	MJJ
(A)	Yes	Yes	Yes	Yes	Yes	Yes	None	None	
(B)	None	None	None	None	None	None	Yes	Yes	
(C)	None	Yes	Yes	None	None	Yes	None	Yes	
(D)	Yes	None	None	Yes	None	None	Yes	None	
D7151	Yes	Yes	Yes	Yes	Yes	Yes	None	None	
D7152	None	None	None	None	None	None	Yes	Yes	
D7153	None	Yes	Yes	None	None	Yes	None	None	
D7154	None	None	None	None	None	None	None	Yes	
D7155	None	None	None	None	None	None	Yes	None	
D7156	Yes	None	None	None	None	None	None	None	
S7001, S7107	Yes	Yes	Yes	Yes	Yes	Yes	None	None	
S7002, S7108	None	None	None	None	None	None	Yes	Yes	
S7109	MUSIC OPTIMIZER; PURE AUDIO	PURE AUDIO	DOCK	MUSIC OPTIMIZER; PURE AUDIO	DOCK	THX	None	None	
S7110	None	None	None	None	None	None	PURE AUDIO	PURE AUDIO	
S7112, S7114	None	None	None	None	None	None	Yes	None	



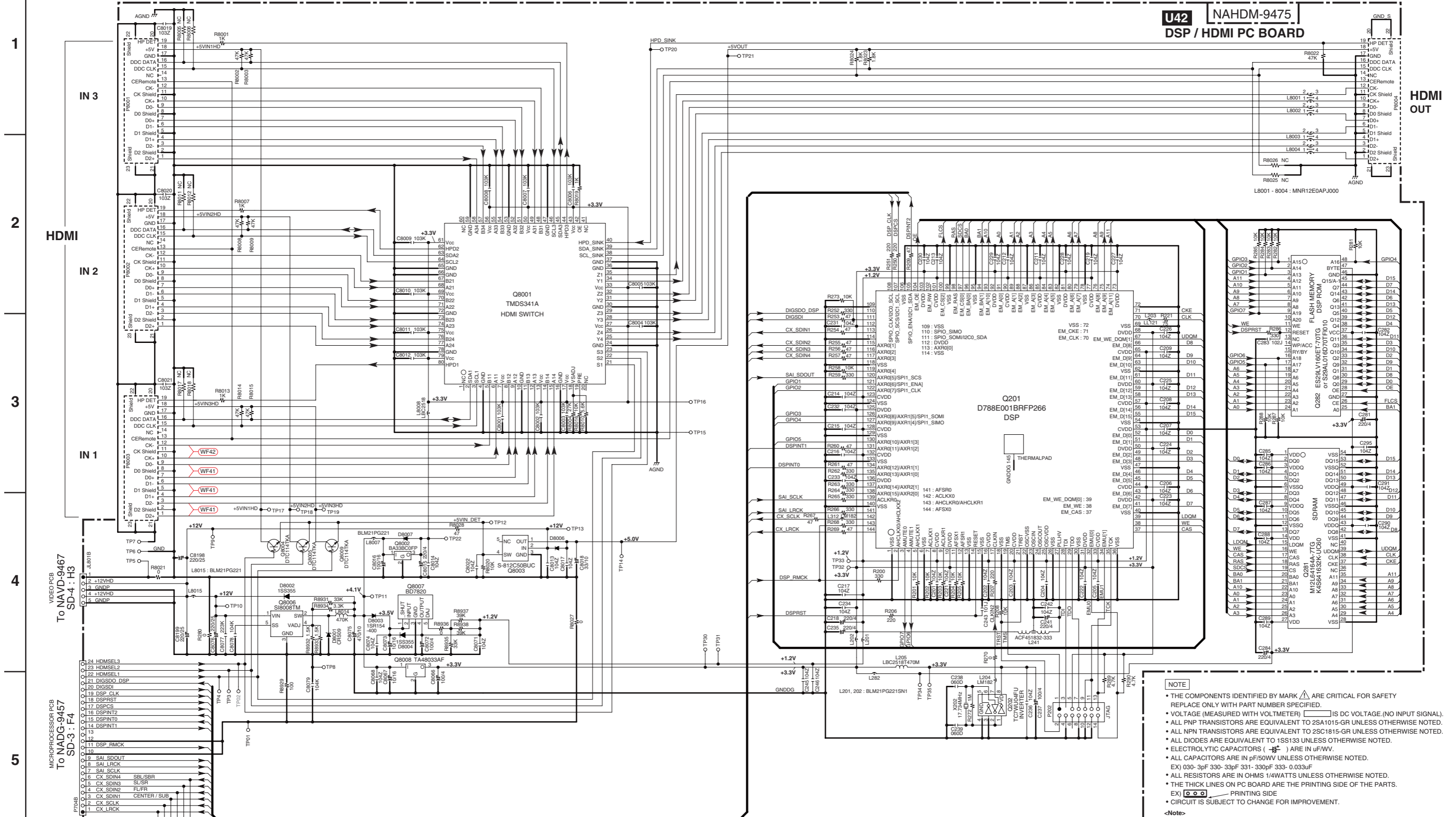
FUNCTION

MODEL No.---->	TX-SR506 TX-SR576	HT-R518	HT-R560 HT-R667 HT-R960	TX-SR606	TX-SA606X
S7104	OFF (ZONE2)	LATE NIGHT	SPEAKERS B	ZONE2 LEVEL UP	DIGITAL IN
S7106	ZONE2	CINEMA FILTER	SPEAKERS A	ZONE2 LEVEL DOWN	DISPLAY
S7132	MEMORY	MEMORY	MEMORY	MEMORY	CINEMA FILTER
S7134	DIGITAL INPUT	DIGITAL INPUT	DIGITAL INPUT	DIGITAL INPUT	None
S7136	DISPLAY	DISPLAY	DISPLAY	DISPLAY	None
S7164	TUNING MODE	TUNING MODE	TUNING MODE	TUNING MODE	LATE NIGHT

MICROPROCESSOR PCB
To NADG-9457
SD-3 : A2

SCHEMATIC DIAGRAMS-7 (SD-7)

DSP / HDMI SECTION



U42 NAHDM-9475
DSP / HDMI PC BOARD

HDMI OUT

VIDEO PCB
 To NAVD-9467
 SD-4 : H3

MICROPROCESSOR PCB
 To NADG-9457
 SD-3 : F4

- NOTE**
- THE COMPONENTS IDENTIFIED BY MARK ARE CRITICAL FOR SAFETY. REPLACE ONLY WITH PART NUMBER SPECIFIED.
 - VOLTAGE (MEASURED WITH VOLTMETER) IS DC VOLTAGE.(NO INPUT SIGNAL).
 - ALL PNP TRANSISTORS ARE EQUIVALENT TO 2SA1015-GR UNLESS OTHERWISE NOTED.
 - ALL NPN TRANSISTORS ARE EQUIVALENT TO 2SC1815-GR UNLESS OTHERWISE NOTED.
 - ALL DIODES ARE EQUIVALENT TO 1SS133 UNLESS OTHERWISE NOTED.
 - ELECTROLYTIC CAPACITORS () ARE IN uF/WV.
 - ALL CAPACITORS ARE IN pF/50WV UNLESS OTHERWISE NOTED.
 - ALL RESISTORS ARE IN OHMS 1/4Watts UNLESS OTHERWISE NOTED.
 - THE THICK LINES ON PC BOARD ARE THE PRINTING SIDE OF THE PARTS.
 - EX) PRINTING SIDE
 - CIRCUIT IS SUBJECT TO CHANGE FOR IMPROVEMENT.

<Note>
 1. NC = No mount of parts.
 2. SD-x : XY is short for Schematic Diagrams-x and each sockets location, X = A to H, Y = 1 to 5.
 3. Refer to SCHEMATIC DIAGRAMS-10 (SD-10) for HDMI signal waveform.

A

B

C

D

SCHEMATIC DIAGRAMS-9

WAVEFORM SECTION-1/3

Digital Audio Waveform Part

1

<Notes>

1. (WF01) is short for Waveform-01 .
2. Refer to SD-3 (SCHEMATIC DIAGRAMS-3) for the location of each waveform on circuit.
3. SD-x : XY is short for Schematic Diagrams-x and each socket's location, X=A to H, Y=1 to 5.

LR CLOCK (SAI_LRCK, CX_LRCK)

Fs = 48kHz : DVD, Clock width = 20.8 μ s

Fs = 44.1kHz : CD, Clock width = 22.7 μ s

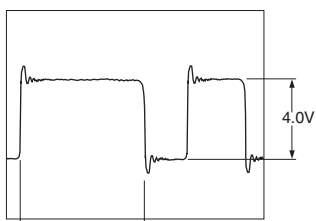
BIT CLOCK (SAI_SLCK, CX_SLCK)

64Fs = 3072kHz : DVD, Clock width = 325ns

64Fs = 2822.4kHz : CD, Clock width = 354ns

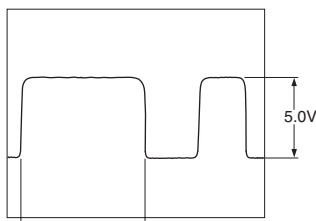
2

(WF01) OPT1 (SD-3 : D5)



Duty varies according to audio data

(WF02) COAX1 (SD-3 : D5)



Duty always varies according to audio data

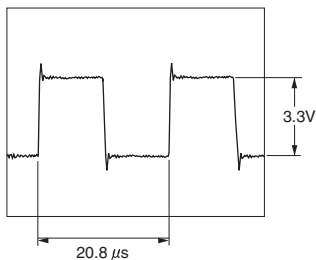
(WF03) SAI_SDOUT (SD-3 : E4)



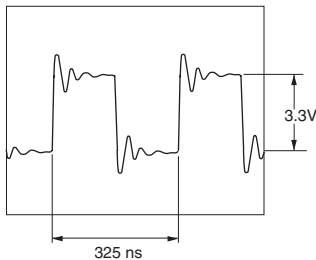
Duty varies according to audio data

3

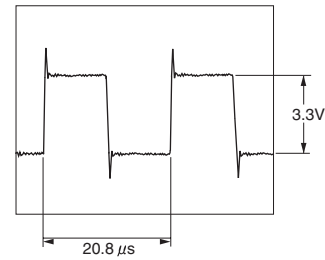
(WF04) SAI_LRCK (SD-3 : E4)



(WF05) SAI_SLCK (SD-3 : E4)

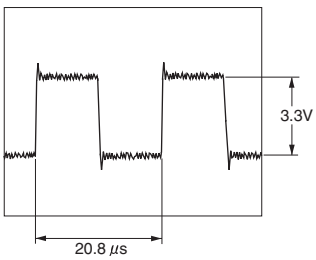


(WF06) CX_SDIN1 (SD-3 : E4)

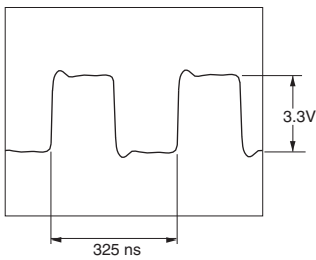


4

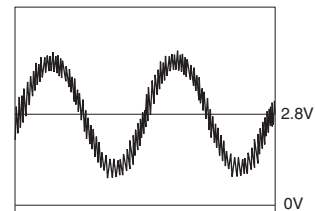
(WF07) CX_LRCK (SD-3 : E4)



(WF08) CX_SCLK (SD-3 : E4)



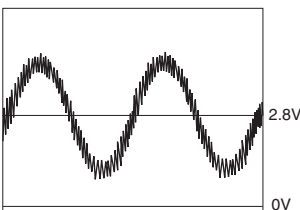
(WF09) DAC_OUT- (SD-3 : C5)



Analog audio waveform with aliasing noise

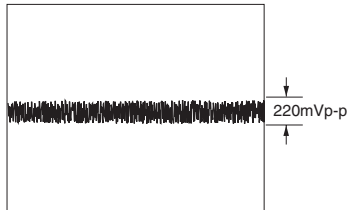
5

(WF10) AUDIO_FL (SD-3 : B5)



Analog audio waveform with aliasing noise

(WF10) AUDIO_FL (SD-3 : B5)



Aliasing noise in no audio data

A

B

C

D

SCHEMATIC DIAGRAMS-10

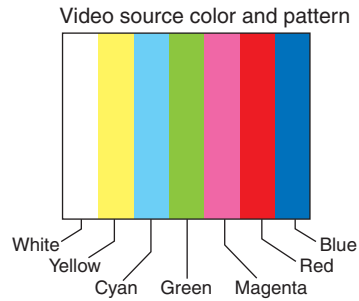
WAVEFORM SECTION-2/3

Video Waveform Part

1

<Notes>

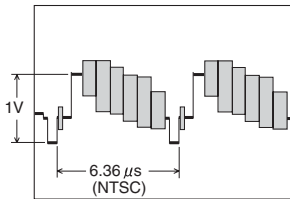
1. (WF21) is short for Waveform-21 .
2. Refer to SD-4 (SCHEMATIC DIAGRAMS-4) for the location of each waveform on circuit.
3. SD-x : XY is short for Schematic Diagrams-x and each socket's location, X=A to H, Y=1 to 5.
4. In the case that video outputs are not connected to video devices, video signal output levels are doubled.



2

Composite waveform

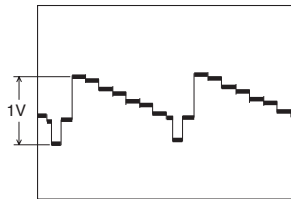
(WF21) (SD-4 : B4)



1.2 Vp-p (H)

S-Video Y waveform

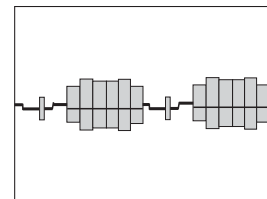
(WF22) (SD-4 : B4)



1.0 Vp-p

S-Video C waveform

(WF23) (SD-4 : B4)

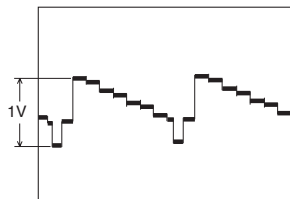


280 mVp-p

3

Component Y waveform

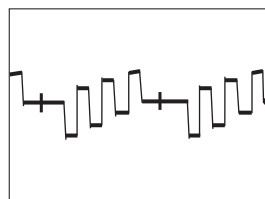
(WF24) (SD-4 : B2)



1.0 Vp-p

Component PB waveform

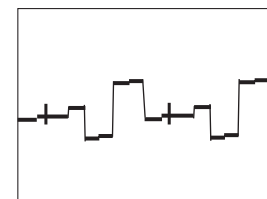
(WF25) (SD-4 : B2)



720 mVp-p

Component PR waveform

(WF21) (SD-4 : B2)



728 mVp-p

HDMI Waveform Part

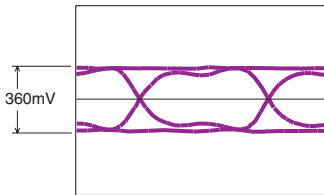
<Notes>

1. (WF41) is short for Waveform-41 .
2. Refer to SD-7 (SCHEMATIC DIAGRAMS-7) for the location of each waveform on circuit.
3. SD-x : XY is short for Schematic Diagrams-x and each socket's location, X=A to H, Y=1 to 5.

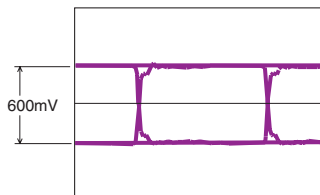
4

HDMI D0,D1,D2 waveform

(WF41) SD-7 : B3



2,227.5MHz
(1080p, 12bit)



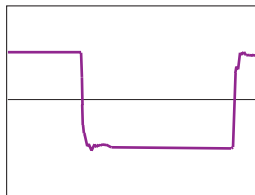
27MHz
(480i, 8bit)

D0,D1,D2 Eye-pattern waveform, frequency and level vary according to video resolution, aspect and profile. Waveforms above are examples.

5

HDMI CK waveform

(WF42) SD-7 : B3



222.75MHz
(1080p, 12bit)

CK waveform, frequency and level differ according to video resolution, aspect and profile. D0,D1,D2 are just CK x10.

A

B

C

D

SCHEMATIC DIAGRAMS-11

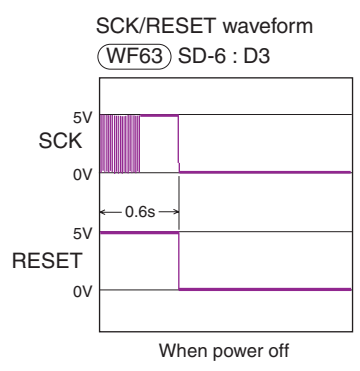
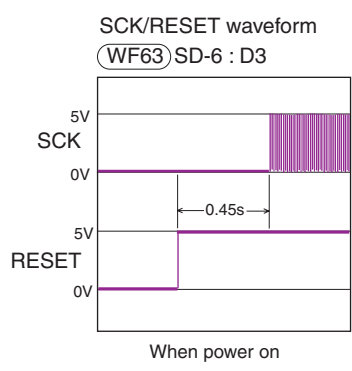
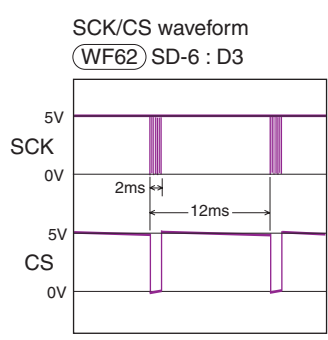
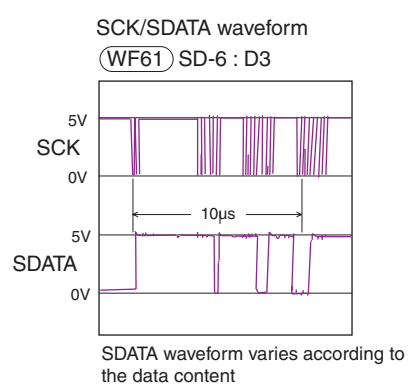
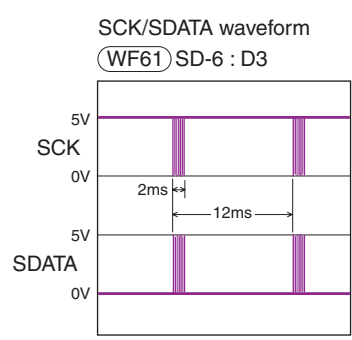
WAVEFORM SECTION-3/3

FL Driver IC Control Waveform Part

1
2
3
4
5

<Notes>

1. (WF61) is short for Waveform-61 .
2. Refer to SD-6 (SCHEMATIC DIAGRAMS-6) for the location of each waveform on circuit.
3. SD-x : XY is short for Schematic Diagrams-x and each socket's location, X=A to H, Y=1 to 5.



A

B

C

D

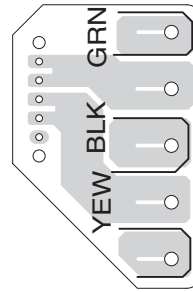
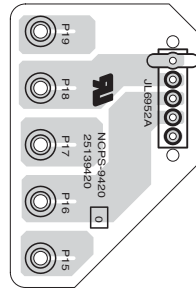
PRINTED CIRCUIT BOARD VIEWS-3

1

U02 TRANS. SEC. TERMINAL PC BOARD
(NAPS-9420)

Component side

Soldering side

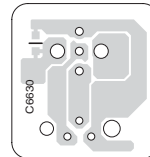
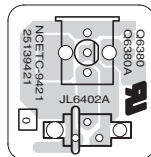


2

U03 THERMAL SENSOR PC BOARD
(NAETC-9421)

Component side

Soldering side



4

5

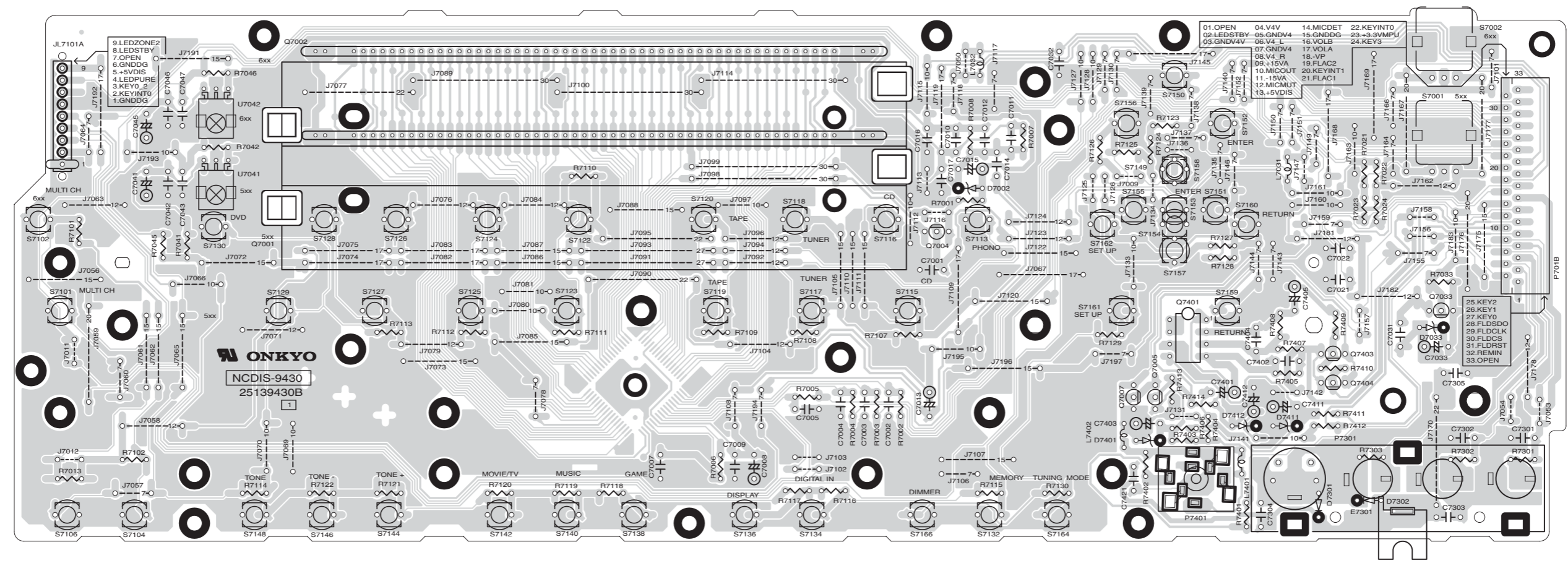
A B C D E F G H

PRINTED CIRCUIT BOARD VIEWS-4

U10 DISPLAY PC BOARD (NADIS-9430)

Component side

1



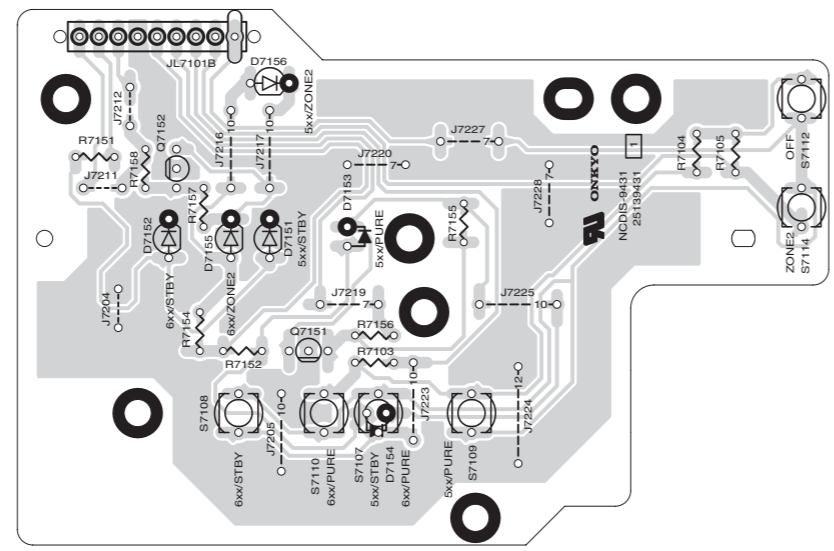
2

3

U11 SWITCH PC BOARD (NADIS-9431)

Component side

4



5

A

B

C

D

PRINTED CIRCUIT BOARD VIEWS-5

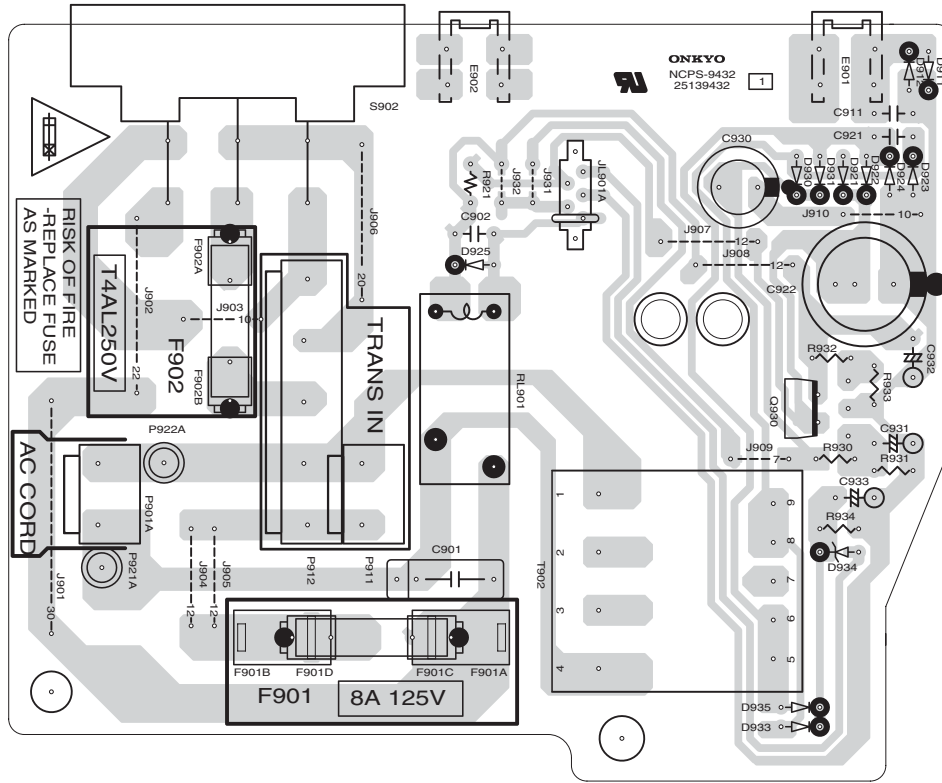
U12 POWER SUPPLY PC BOARD (NAPS-9432)

Component side

1

2

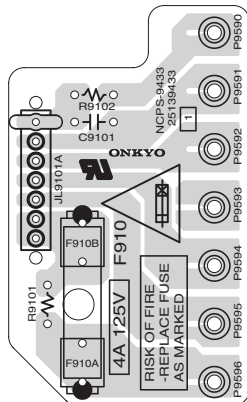
3



U13 TRANS. SEC. TERMINAL PC BOARD (NAPS-9433)

Component side

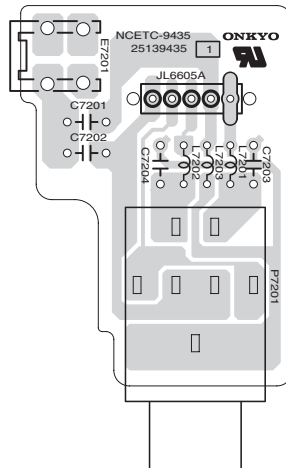
4



5

U14 HEADPHONE JACK PC BOARD (NAETC-9435)

Component side



A

B

C

D

PRINTED CIRCUIT BOARD VIEWS-6

U30 MICROPROCESSOR PC BOARD (NADG-9457)

Side-A

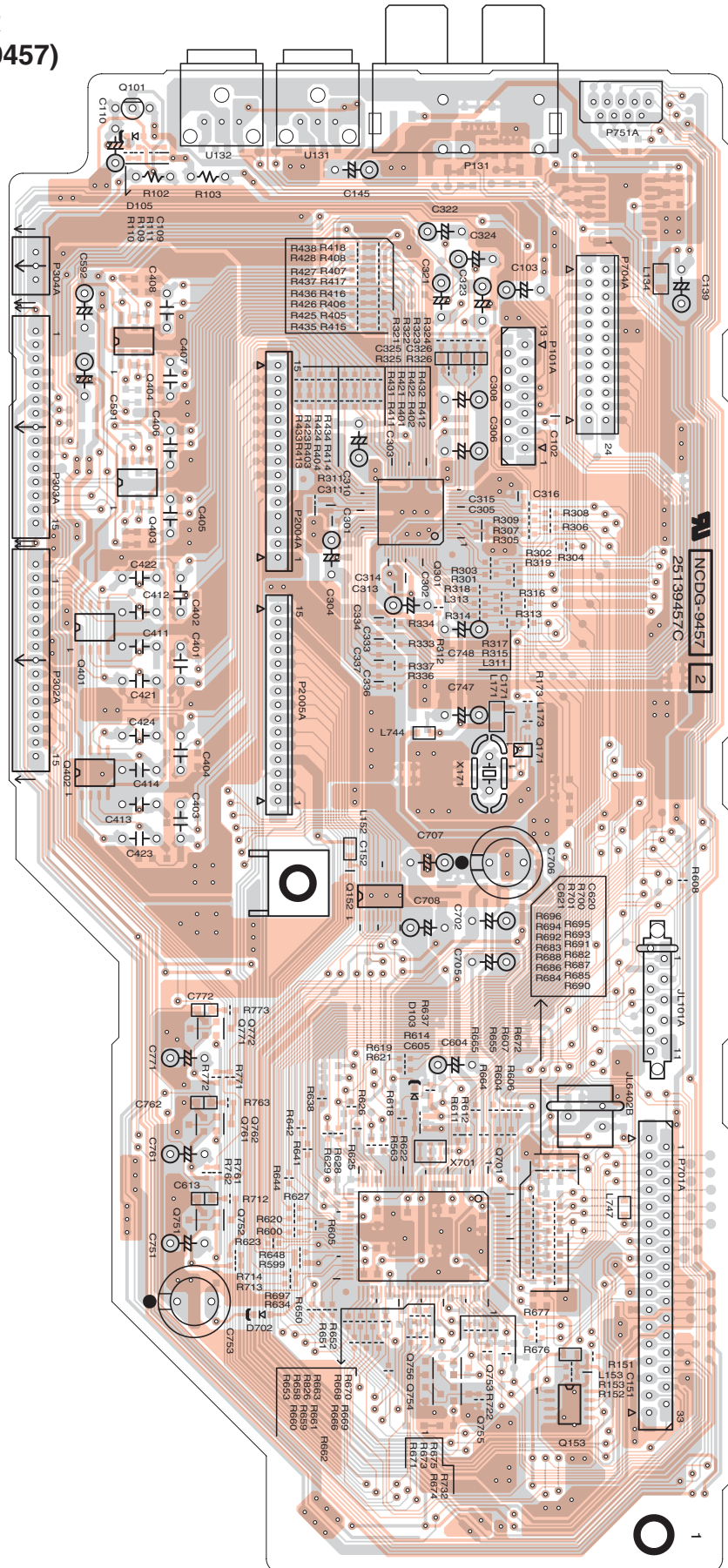
1

2

3

4

5



A

B

C

D

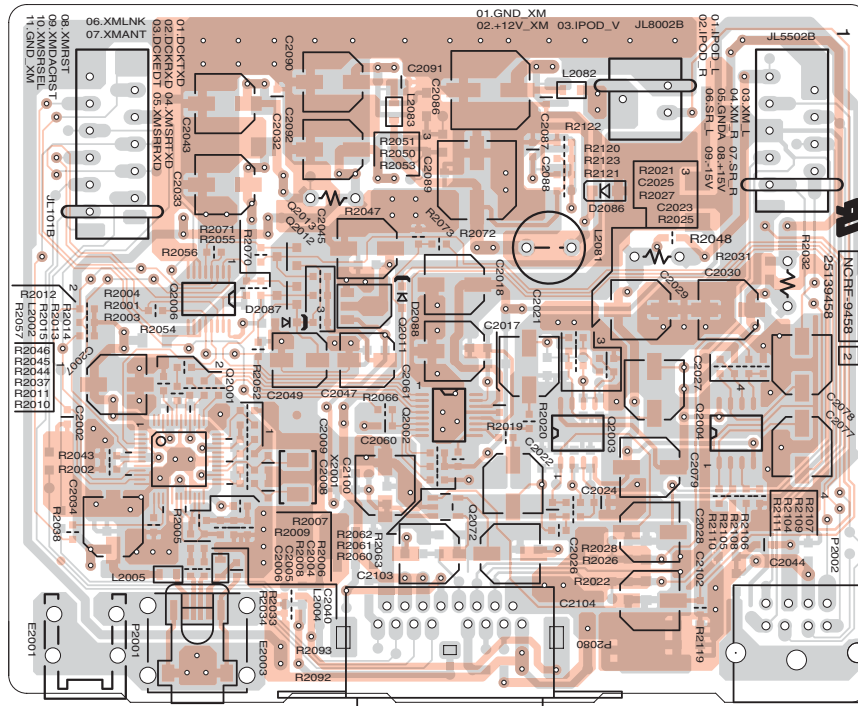
PRINTED CIRCUIT BOARD VIEWS-8

U31 SIRIUS / DOCK TERMINAL PC BOARD (NARF-9458)

<Note>
HT-R560 Only

1

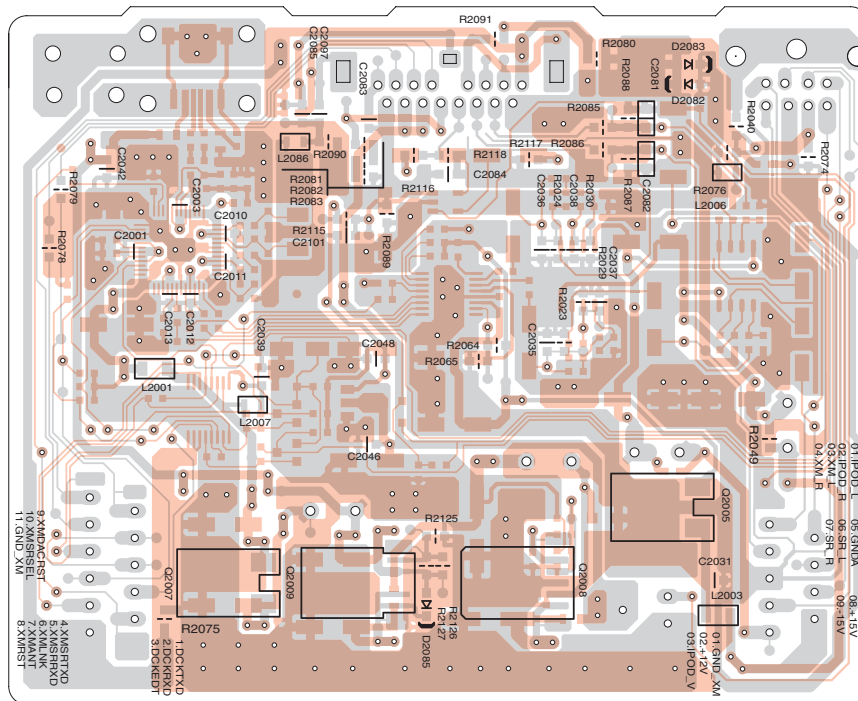
Side-A



2

3

Side-B



4

5

A

B

C

D

PRINTED CIRCUIT BOARD VIEWS-9

U36 VIDEO PC BOARD (NAVD-9467)

Component side

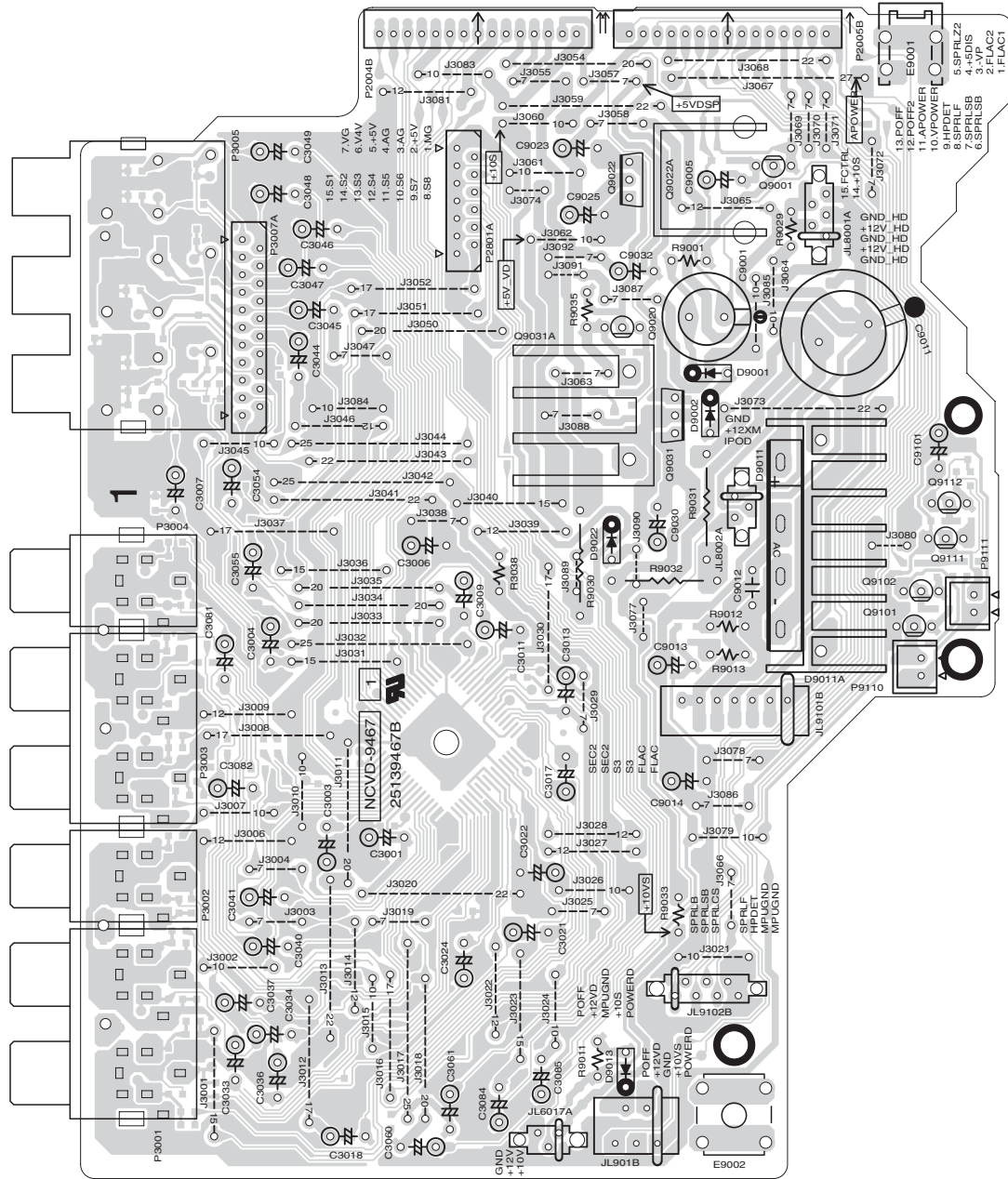
1

2

3

4

5



A

B

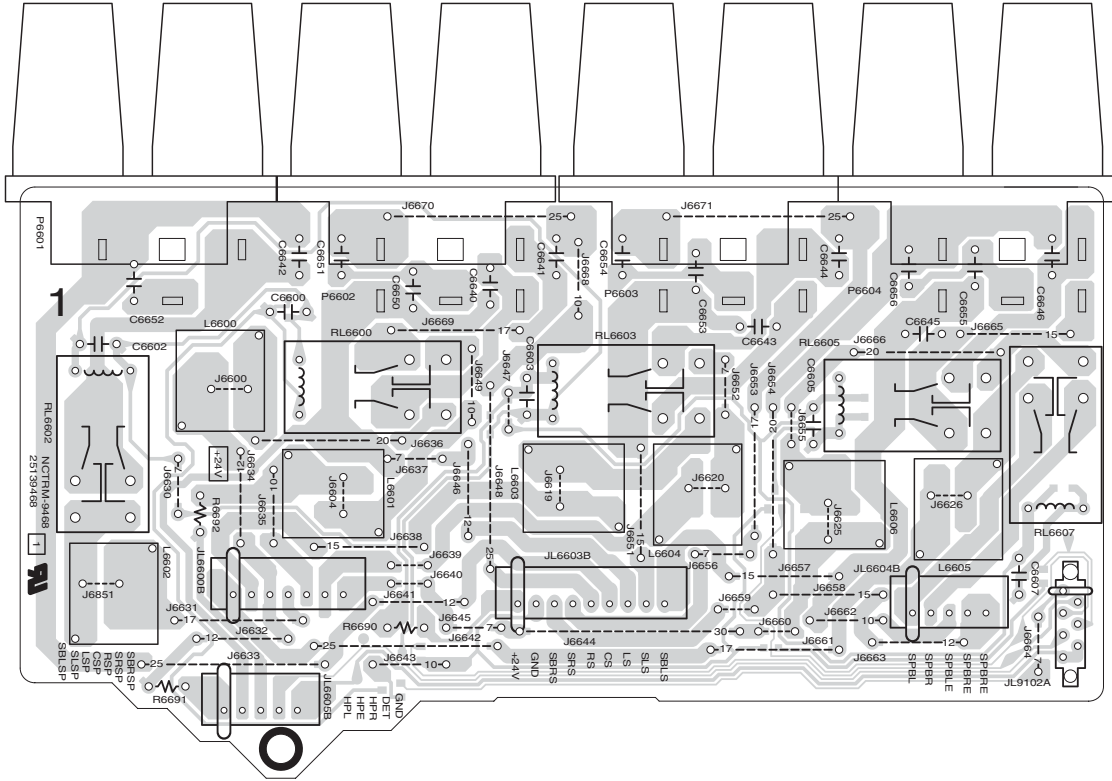
C

D

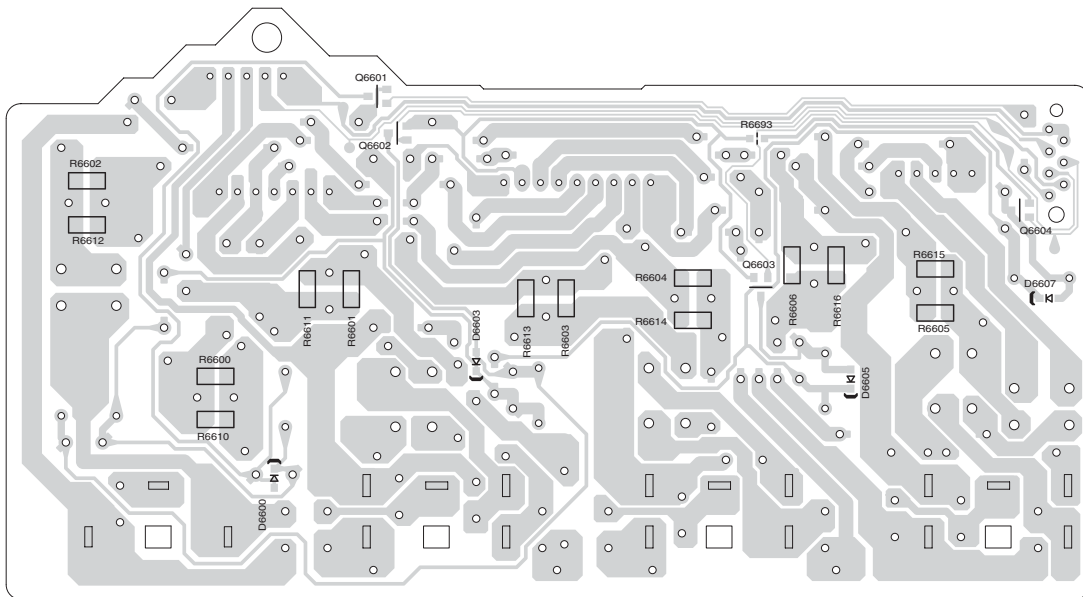
PRINTED CIRCUIT BOARD VIEWS-11

U37 SPEAKER TERMINAL PC BOARD (NATRM-9468)

Component side



Soldering side



1

2

3

4

5

A

B

C

D

PRINTED CIRCUIT BOARD VIEWS-13

U42 HDMI PC BOARD (NAHDM-9475)

Side-B

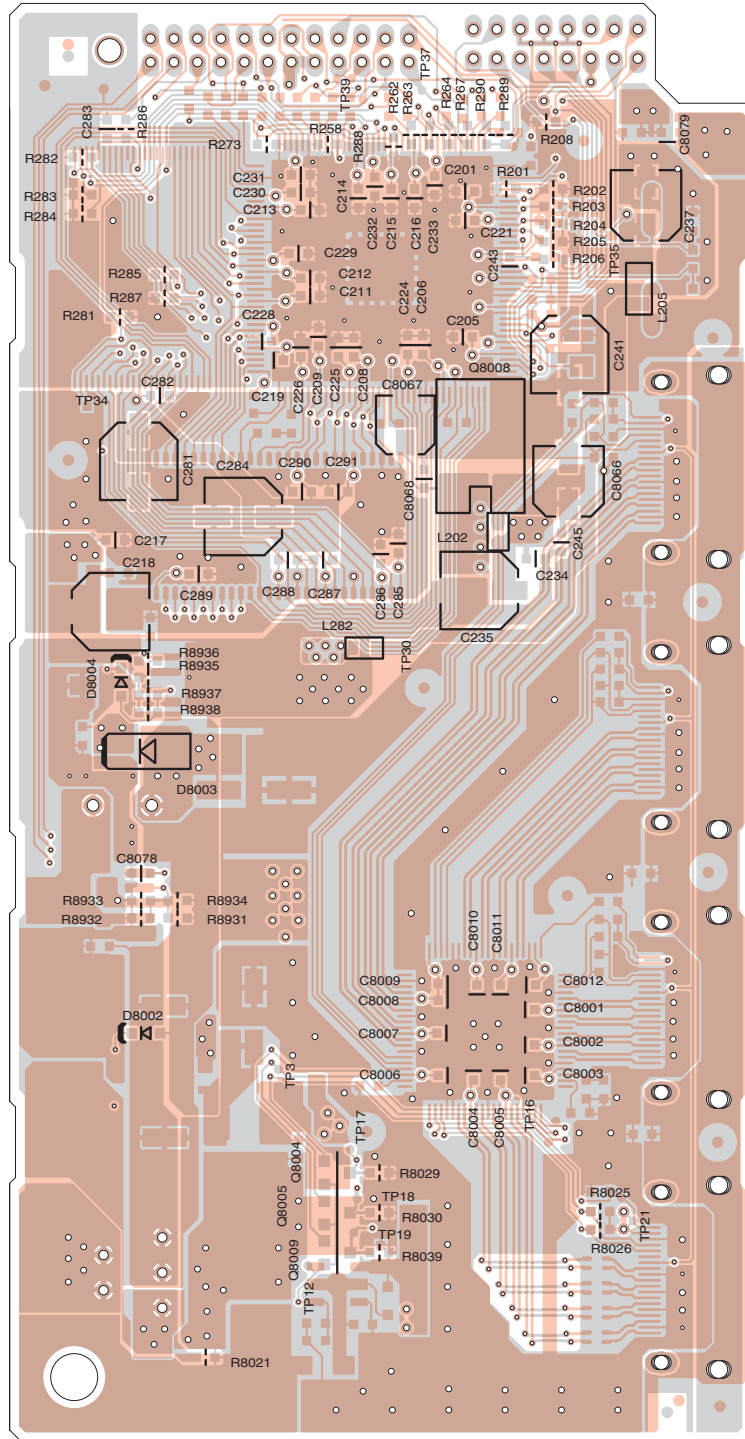
1

2

3

4

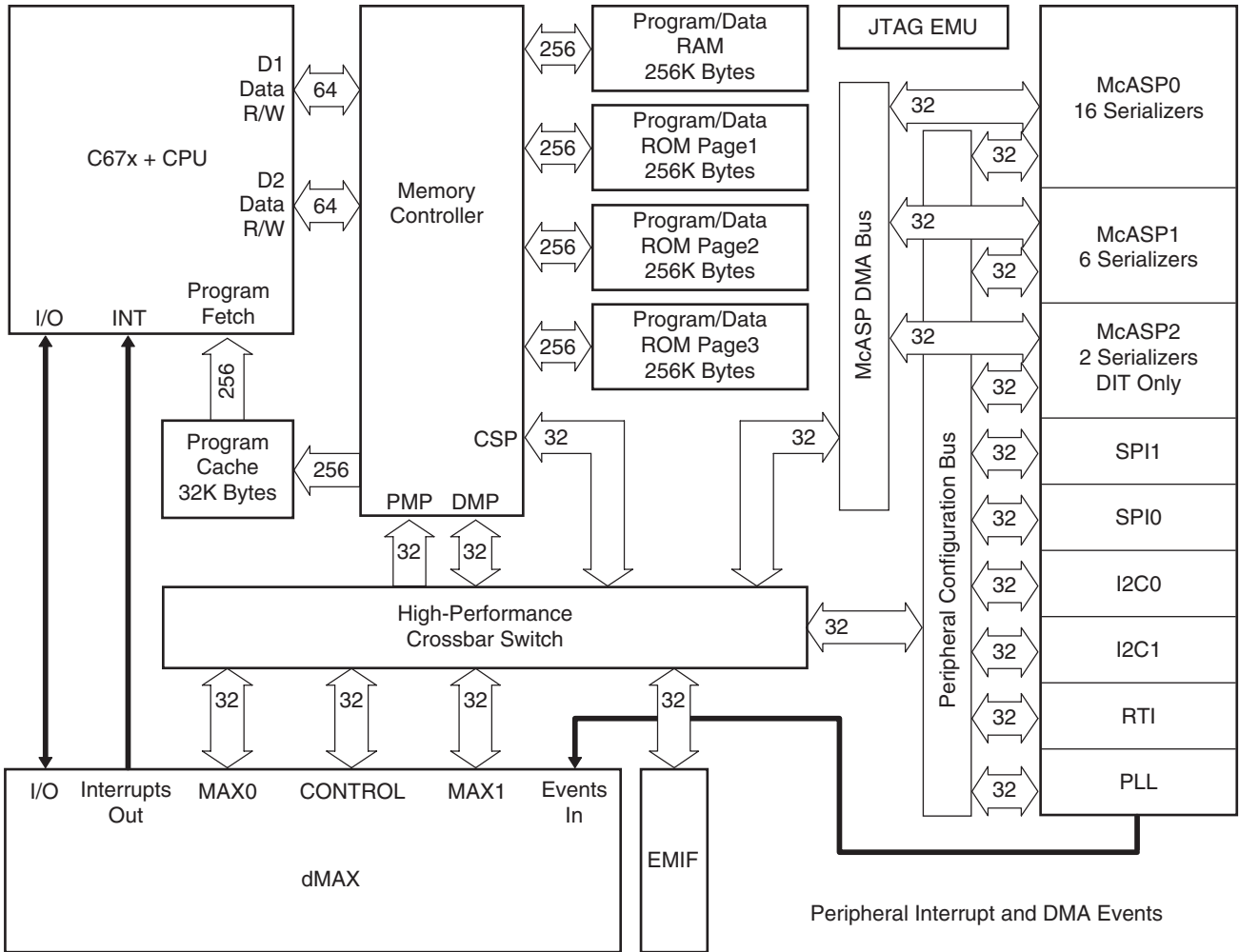
5



IC BLOCK DIAGRAMS AND TERMINAL DESCRIPTIONS-1

Q201 : D788E001BRFP266 (Floating-Point Digital Signal Processor)-1/5

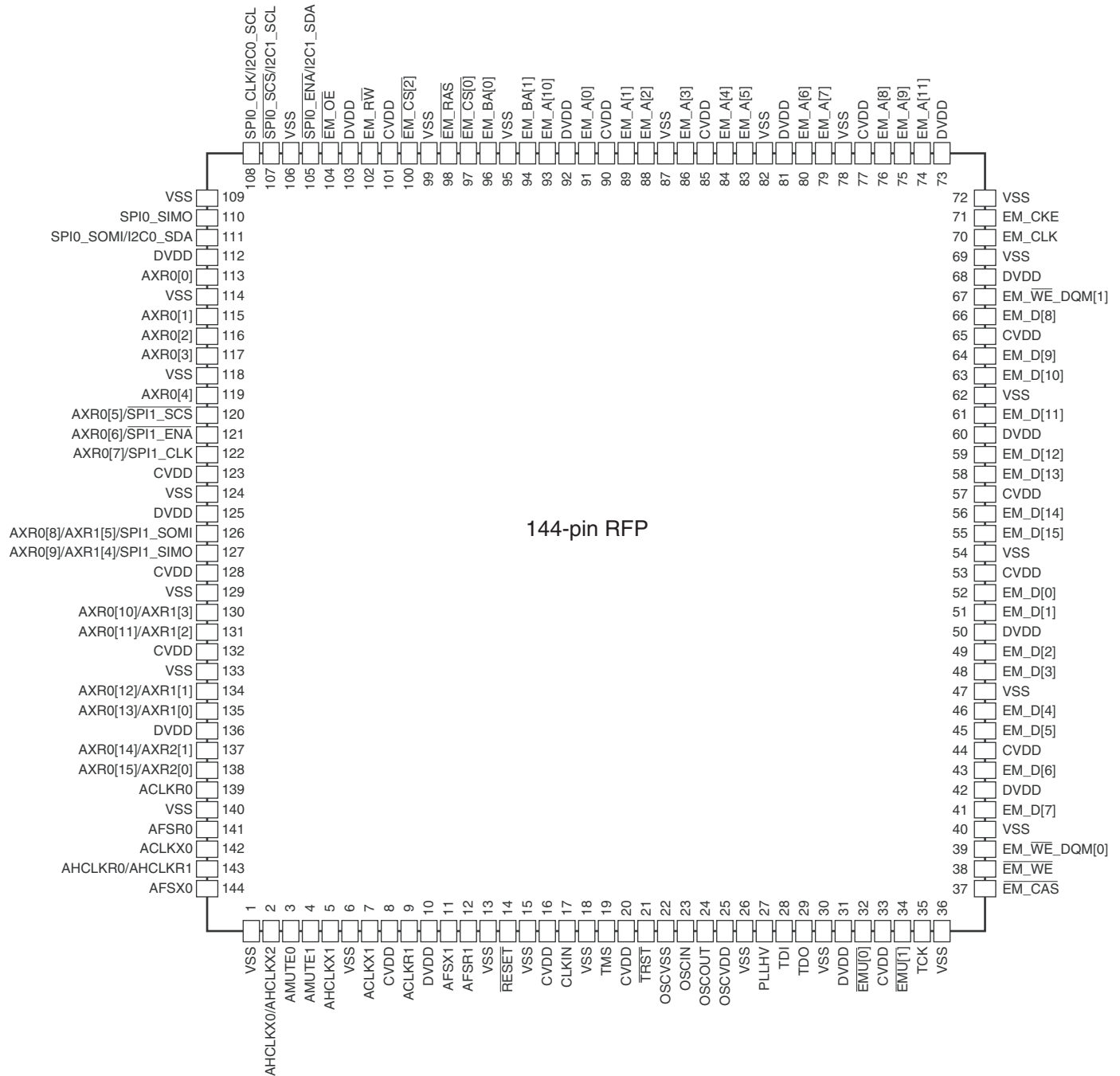
BLOCK DIAGRAM



IC BLOCK DIAGRAMS AND TERMINAL DESCRIPTIONS-2

Q201 : D788E001BRFP266 (Floating-Point Digital Signal Processor)-2/5

PIN LAYOUT



IC BLOCK DIAGRAMS AND TERMINAL DESCRIPTIONS-3

Q201 : D788E001BRFP266 (Floating-Point Digital Signal Processor)-3/5

TERMINAL DESCRIPTION

External Memory Interface (EMIF) Address and Control

Pin Name	Pin No.	Type	Description
EM_A[0]	91	O	EMIF Address Bus
EM_A[1]	89	O	
EM_A[2]	88	O	
EM_A[3]	86	O	
EM_A[4]	84	O	
EM_A[5]	83	O	
EM_A[6]	80	O	
EM_A[7]	79	O	
EM_A[8]	76	O	
EM_A[9]	75	O	
EM_A[10]	93	O	
EM_A[11]	74	O	
EM_BA[0]	96	O	SDRAM Bank Address and Asynchronous Memory Low-Order Address
EM_BA[1]	94	O	
$\bar{E}M_CS[0]$	97	O	SDRAM Chip Select
$\bar{E}M_CS[2]$	100	O	Asynchronous Memory Chip Select
$\bar{E}M_CAS$	37	O	SDRAM Column Address Strobe
$\bar{E}M_RAS$	98	O	SDRAM Row Address Strobe
$\bar{E}M_WE$	38	O	SDRAM Write Enable
EM_CKE	71	O	SDRAM Clock Enable
EM_CLK	70	O	SDRAM Clock
EM_ $\bar{W}E_DQM[0]$	39	O	Write Enable or Byte Enable for EM_D[7:0]
EM_ $\bar{W}E_DQM[1]$	67	O	Write Enable or Byte Enable for EM_D[15:8]
$\bar{E}M_OE$	104	O	SDRAM Output Enable
EM_ $\bar{R}W$	102	O	Asynchronous Memory Read/not Write

External Memory Interface (EMIF) Data Bus

Pin Name	Pin No.	Type	Description
EM_D[0]	52	IO	EMIF Data Bus [Lower 16 Bits]
EM_D[1]	51	IO	
EM_D[2]	49	IO	
EM_D[3]	48	IO	
EM_D[4]	46	IO	
EM_D[5]	45	IO	
EM_D[6]	43	IO	
EM_D[7]	41	IO	
EM_D[8]	66	IO	
EM_D[9]	64	IO	
EM_D[10]	63	IO	
EM_D[11]	61	IO	
EM_D[12]	59	IO	
EM_D[13]	58	IO	
EM_D[14]	56	IO	
EM_D[15]	55	IO	

IC BLOCK DIAGRAMS AND TERMINAL DESCRIPTIONS-4

Q201 : D788E001BRFP266 (Floating-Point Digital Signal Processor)-4/5

TERMINAL DESCRIPTION

McASP0, McASP1, McASP2, and SPI1 Serial Ports

Pin Name	Pin No.	Type	Description
AHCLKR0/AHCLKR1	143	IO	McASP0 and McASP1 Receive Master Clock
ACLKR0	139	IO	McASP0 Receive Bit Clock
AFSR0	141	IO	McASP0 Receive Frame Sync (L/R Clock)
AHCLKX0/AHCLKX2	2	IO	McASP0 and McASP2 Transmit Master Clock
ACLKX0	142	IO	McASP0 Transmit Bit Clock
AFSX0	144	IO	McASP0 Transmit Frame Sync (L/R Clock)
AMUTE0	3	O	McASP0 MUTE Output
AXR0[0]	113	IO	McASP0 Serial Data 0
AXR0[1]	115	IO	McASP0 Serial Data 1
AXR0[2]	116	IO	McASP0 Serial Data 2
AXR0[3]	117	IO	McASP0 Serial Data 3
AXR0[4]	119	IO	McASP0 Serial Data 4
AXR0[5]/SPI1_SC \bar{S}	120	IO	McASP0 Serial Data 5 or SPI1 Slave Chip Select
AXR0[6]/SPI1_EN \bar{A}	121	IO	McASP0 Serial Data 6 or SPI1 Enable (Ready)
AXR0[7]/SPI1_CLK	122	IO	McASP0 Serial Data 7 or SPI1 Serial Clock
AXR0[8]/AXR1[5]/SPI1_SOMI	126	IO	McASP0 Serial Data 8 or McASP1 Serial Data 5 or SPI1 Data Pin Slave Out Master In
AXR0[9]/AXR1[4]/SPI1_SIMO	127	IO	McASP0 Serial Data 9 or McASP1 Serial Data 4 or SPI1 Data Pin Slave In Master Out
AXR0[10]/AXR1[3]	130	IO	McASP0 Serial Data 10 or McASP1 Serial Data 3
AXR0[11]/AXR1[2]	131	IO	McASP0 Serial Data 11 or McASP1 Serial Data 2
AXR0[12]/AXR1[1]	134	IO	McASP0 Serial Data 12 or McASP1 Serial Data 1
AXR0[13]/AXR1[0]	135	IO	McASP0 Serial Data 13 or McASP1 Serial Data 0
AXR0[14]/AXR2[1]	137	IO	McASP0 Serial Data 14 or McASP2 Serial Data 1
AXR0[15]/AXR2[0]	138	IO	McASP0 Serial Data 15 or McASP2 Serial Data 0
ACLKR1	9	IO	McASP1 Receive Bit Clock
AFSR1	12	IO	McASP1 Receive Frame Sync (L/R Clock)
AHCLKX1	5	IO	McASP1 Transmit Master Clock
ACLKX1	7	IO	McASP1 Transmit Bit Clock
AFSX1	11	IO	McASP1 Transmit Frame Sync (L/R Clock)
AMUTE1	4	O	McASP1 MUTE Output

SPI0, I2C0, and I2C1 Serial Port Pins

Pin Name	Pin No.	Type	Description
SPI0_SOMI/I2C0_SDA	111	IO	SPI0 Data Pin Slave Out Master In or I2C0 Serial Data
SPI0_SIMO	110	IO	SPI0 Data Pin Slave In Master Out
SPI0_CLK/I2C0_SCL	108	IO	SPI0 Serial Clock or I2C0 Serial Clock
SPI0_SC \bar{S} /I2C1_SCL	107	IO	SPI0 Slave Chip Select or I2C1 Serial Clock
SPI0_EN \bar{A} /I2C1_SDA	105	IO	SPI0 Enable (Ready) or I2C1 Serial Data

IC BLOCK DIAGRAMS AND TERMINAL DESCRIPTIONS-5

Q201 : D788E001BRFP266 (Floating-Point Digital Signal Processor)-5/5

TERMINAL DESCRIPTION

Clocks

Pin Name	Pin No.	Type	Description
OSCIN	23	I	1.2-V Oscillator Input
OSCOUT	24	O	1.2-V Oscillator Output
OSCVDD	25	---	Oscillator 1.2-V VDD tap point (for filter only)
OSCVSS	22	---	Oscillator VSS tap point (for filter only)
CLKIN	17	I	Alternate clock input (3.3-V LVCMOS Input)
PLLHV	27	---	PLL 3.3-V Supply Input (requires external filter)

Device Reset

Pin Name	Pin No.	Type	Description
$\overline{\text{RESET}}$	14	I	Device reset pin

Emulation/JTAG Port

Pin Name	Pin No.	Type	Description
TCK	35	I	Test Clock
TMS	19	I	Test Mode Select
TDI	28	I	Test Data In
TDO	29	O	Test Data Out
$\overline{\text{TRST}}$	21	I	Test Reset
$\overline{\text{EMU}}[0]$	32	IO	Emulation Pin 0
$\overline{\text{EMU}}[1]$	34	IO	Emulation Pin 1

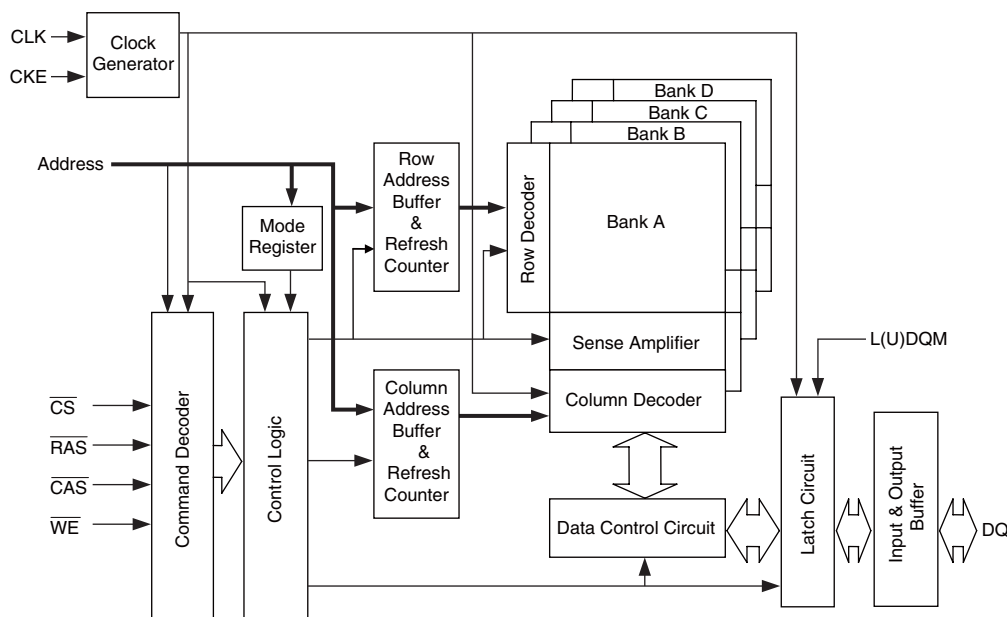
Power Pins

Pin Name	Pin No.
Core Supply (CVDD)	8, 16, 20, 33, 44, 53, 57, 65, 77, 85, 90, 101, 123, 128, 132
IO Supply (DVDD)	10, 31, 42, 50, 60, 68, 73, 81, 92, 103, 112, 125, 136
Ground (VSS)	1, 6, 13, 15, 18, 26, 30, 36, 40, 47, 54, 62, 69, 72, 78, 82, 87, 95, 99, 106, 109, 114, 118, 124, 129, 133, 140

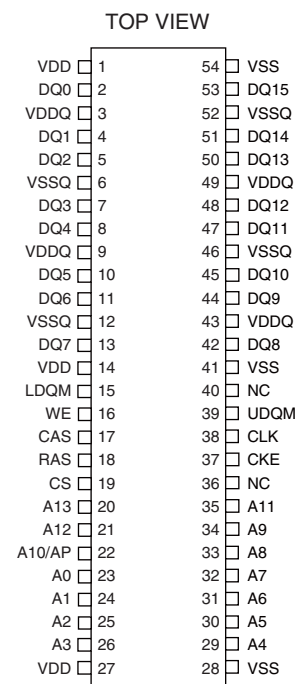
IC BLOCK DIAGRAMS AND TERMINAL DESCRIPTIONS-6

Q281 : M12L64164A-7TG (1M x 16 Bit x 4 Banks Synchronous DRAM)

BLOCK DIAGRAM



PIN LAYOUT



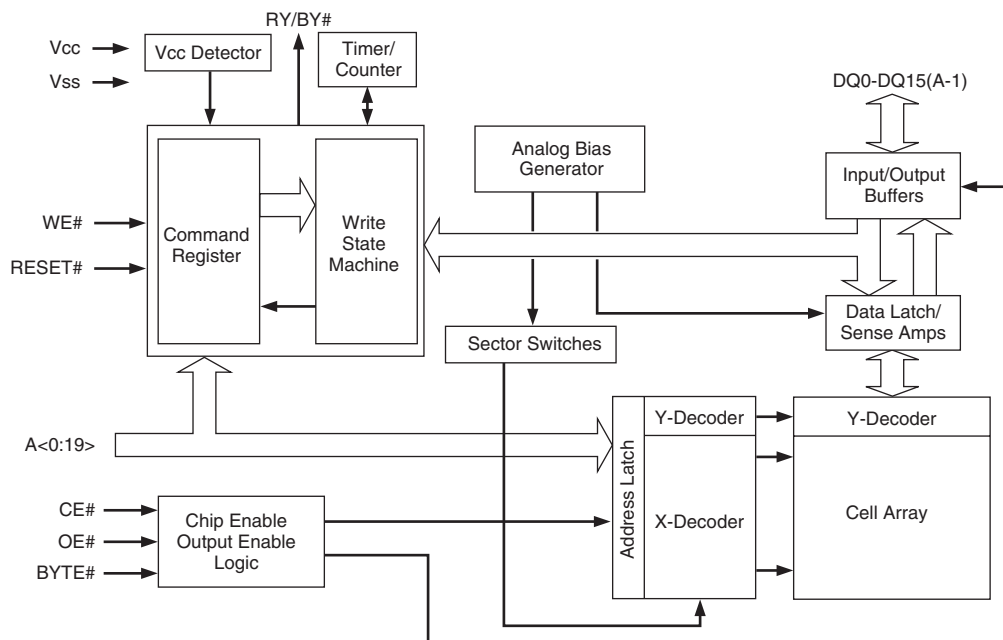
TERMINAL DESCRIPTION

Pin Name	Description
CLK	Active on the positive going edge to sample all inputs.
\overline{CS}	Disables or enables device operation by masking or enabling all inputs except CLK , CKE and L(U)DQM.
CKE	Masks system clock to freeze operation from the next clock cycle. CKE should be enabled at least one cycle prior new command. Disable input buffers for power down in standby.
A0 ~ A11	Row / column address are multiplexed on the same pins. Row address : RA0~RA11, column address : CA0~CA7.
A12 , A13	Selects bank to be activated during row address latch time. Selects bank for read / write during column address latch time.
\overline{RAS}	Latches row addresses on the positive going edge of the CLK with \overline{RAS} low. Enables row access & precharge.
\overline{CAS}	Latches column address on the positive going edge of the CLK with CAS low. Enables column access.
\overline{WE}	Enables write operation and row precharge. Latches data in starting from \overline{CAS} , \overline{WE} active.
L(U)DQM	Makes data output Hi-Z, tSHZ after the clock and masks the output. Blocks data input when L(U)DQM active.
DQ0 ~ DQ15	Data inputs / outputs are multiplexed on the same pins.
VDD / VSS	Power and ground for the input buffers and the core logic.
VDDQ / VSSQ	Isolated power supply and ground for the output buffers to provide improved noise immunity.
NC	This pin is recommended to be left No Connection on the device.

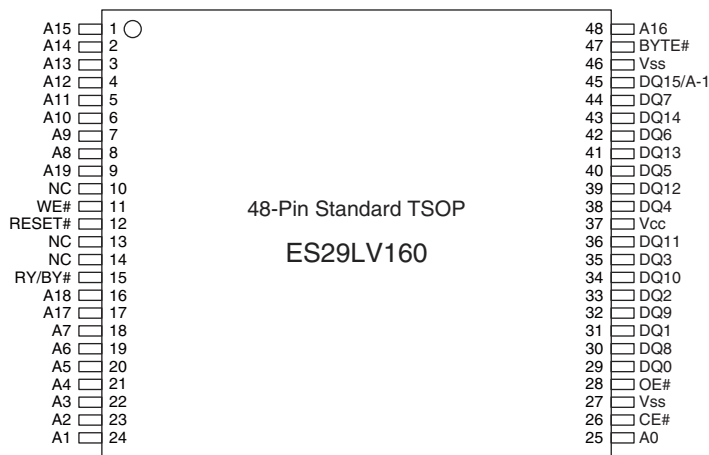
IC BLOCK DIAGRAMS AND TERMINAL DESCRIPTIONS-7

Q282 : ES29LV160ET-70TG (16Mbit CMOS 3.0 Volt-only, Boot Sector Flash Memory)

BLOCK DIAGRAM



PIN LAYOUT



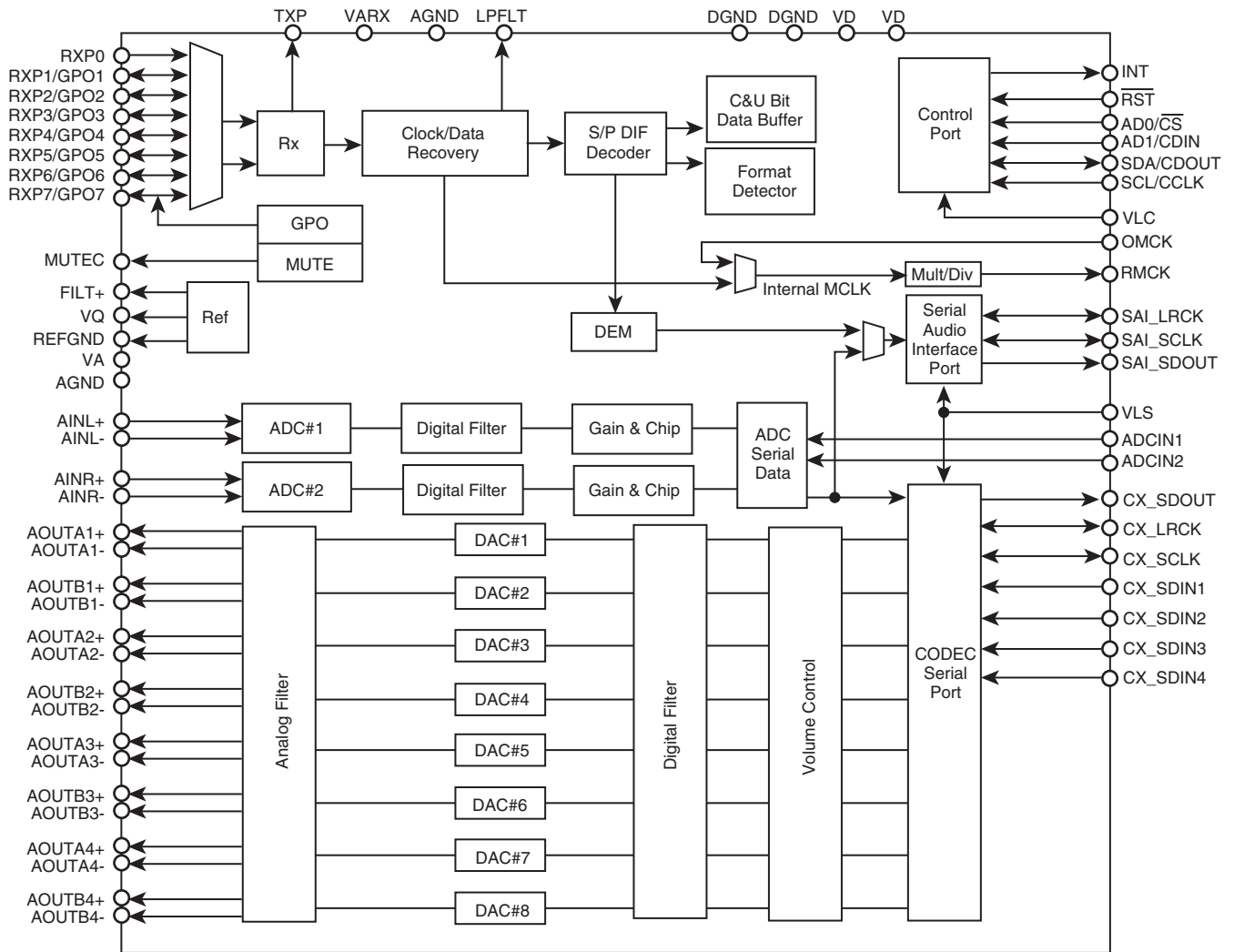
TERMINAL DESCRIPTION

Pin Name	Description
A0-A19	20 Addresses
DQ0-DQ14	15 Data Inputs/Outputs
DQ15/A-1	DQ15 (Data Input/Output, Word Mode) / A-1 (LSB Address Input, Byte Mode)
CE#	Chip Enable
OE#	Output Enable
WE#	Write Enable
RESET#	Hardware Reset Pin, Active Low
BYTE#	Selects 8-bit or 16-bit mode
RY/BY#	Ready/Busy Output (N/A SO 044)
Vcc	3.0 volt-only single power supply
Vss	Device Ground
NC	Pin Not Connected Internally

IC BLOCK DIAGRAMS AND TERMINAL DESCRIPTIONS-8

Q301 : CS42518 (8-Ch Codec with S/PDIF Receiver)-1/4

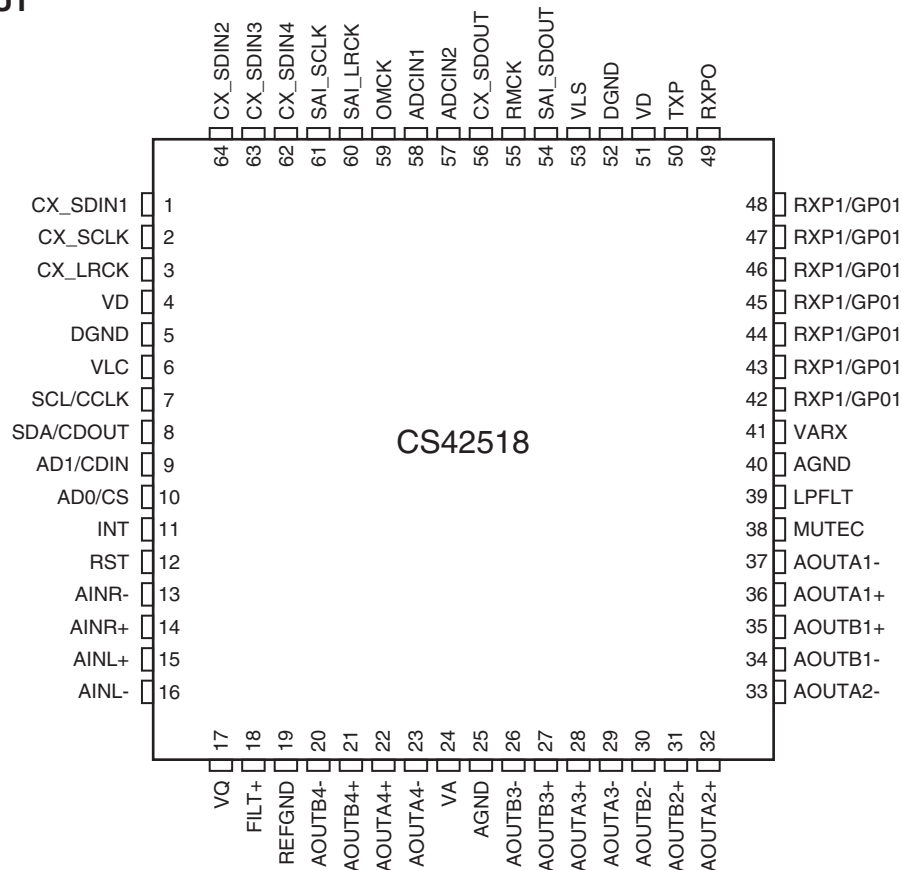
BLOCK DIAGRAM



IC BLOCK DIAGRAMS AND TERMINAL DESCRIPTIONS-9

Q301 : CS42518 (8-Ch Codec with S/PDIF Receiver)-2/4

PIN LAYOUT



TERMINAL DESCRIPTION

Name	Pin No.	Function
CX_SDIN1 CX_SDIN2 CX_SDIN3 CX_SDIN4	1 64 63 62	Codec Serial Audio Data Input (Input) - Input for two's complement serial audio data.
CX_SCLK	2	CODEC Serial Clock (Input/Output) - Serial clock for the CODEC serial audio interface.
CX_LRCK	3	CODEC Left Right Clock (Input/ Output) - Determines which channel, Left or Right, is currently active on the CODEC serial audio data line.
VD	4 51	Digital Power (Input) - Positive power supply for the digital section.
DGND	5 52	Digital Ground (Input) - Ground reference. Should be connected to digital ground.
VLC	6	Control Port Power (Input) - Determines the required signal level for the control port.
SCL/CCLK	7	Serial Control Port Clock (Input) - Serial clock for the serial control port. Requires an external pull-up resistor to the logic interface voltage in I2C mode as shown in the Typical Connection Diagram.
SDA/CDOUT	8	Serial Control Data (Input/Output) - SDA is a data I/O line in IC mode and requires an external pull-up resistor to the logic interface voltage, as shown in the Typical connection Diagram. CDOUT is the output data line for the control port interface in SPI mode.
AD1/CDIN	9	Address Bit 1 (I2C)/Serial Control Data (SPI) (Input) - AD1 a chip address pin in I2C mode; CDIN is the input data line for control port interface in SPI mode.

IC BLOCK DIAGRAMS AND TERMINAL DESCRIPTIONS-10

Q301 : CS42518 (8-Ch Codec with S/PDIF Receiver)-3/4

TERMINAL DESCRIPTION

Name	Pin No.	Function
AD0/CS	10	Address Bit 0 (I2C)/Control Port Chip Select (SPI) (INput) - AD0 is a chip address pin in I2C mode; CS is the chip select signal in SPI mode.
INT	11	Interrupt (Ooutput) - The CS42518 will generate an interrupt condition as per the Interrupt Mask register.
RST	12	Reset (Input) - The device enters a low power mode and all internal registers are reset to their default settings when low.
AINR- AINR+	13 14	Differential right Channel Analog Input (Input) - Signals are presented differentially to the delta-sigma modulators via the AINR+/- pins.
AINL- AINL+	15 16	Differential right Channel Analog Input (Input) - Signals are presented differentially to the delta-sigma modulators via the AINR+/- pins.
VQ	17	Quiescent Voltage (Output) - Filter connection for internal quiescent reference voltage.
FILT+	18	Positive Voltage Reference (Output) - Positive reference voltage for the internal sampling circuits.
REFGND	19	Reference Ground (Input) - Ground reference for the internal sampling circuits.
AOUTA1 +, - AOUTB1 +, - AOUTA2 +, - AOUTB2 +, - AOUTA3 +, - AOUTB3 +, - AOUTA4 +, - AOUTB4 +, -	36, 37 35, 34 32, 33 31, 30 28, 29 27, 26 22, 23 21, 20	Differential Analog Output (Output) - The full-scale differential analog output level is specified in the Analog Characteristics specification table.
VA VARX	24 41	Analog Power (Input) - Positive power supply for the analog section.
AGND	25 40	Analog Ground (Input) - Ground reference. Should be connected to analog ground.
MUTECL	38	Mute Control (Output) - The Mute Control pin outputs high impedance following an initial power -on condition or whenever the PDN bit is set to a "1", forcing the codec into power -down mode. The signal will remain in a high impedance state as long as the part is in power-down mode. The Mute Control pin goes to the selected "active" state during reset, muting, or if the master clock to left/right clock frequency ratio is incorrect. This pin is intended to be used as a control for external mute circuits to prevent the clicks and pops that can occur in any single supply system. The use of external mute circuits are not mandatory but may be desired for designs requiring the absolute minimum in extraneous clicks and pops.
LPFLT	39	PLL Loop Filter (Output) - An RC network should be connected between this pin and ground.
RXP7/GPO7 RXP6/GPO6 RXP5/GPO5 RXP4/GPO4 RXP3/GPO3 RXP2/GPO2 RXP1/GPO1	42 43 44 45 46 47 48	S/PDIF Receiver Input/ General Purpose Output (Input/ Output) - Receiver inputs for S/PDIF encoded data. The CS42518 has an internal 8:2 multiplexer to select the active receiver port, according to the Receiver Mode Control 2 register. These pins can also be configured as general purpose output pins, ADC Overflow indicators or Mute Control outputs according to the RXP/General Purpose Pin Control registers.
RXP0	49	S/PDIF Receiver Input (Input) - Dedicated receiver input for S/PDIF encoded data.
TXP	50	S/PDIF Transmitter Output (Output) - S/PDIF encoded data output, mapped directly from one of the receiver inputs as indicated by the Receiver Mode Control 2 register.
VLP	53	Serial Port Interface Power (Input) - Determines the required signal level for the serial port interfaces.
SAI_SDOOUT	54	Serial Audio Interface Serial Data Output (Output) - Output for two's complement serial audio PCM data from the S/PDIF incoming stream. This pin can also be configured to transmit the output of the internal and external ADCs.
RMCK	55	Recovered Master Clock (Output) - Recovered master clock output from the External Clock Reference

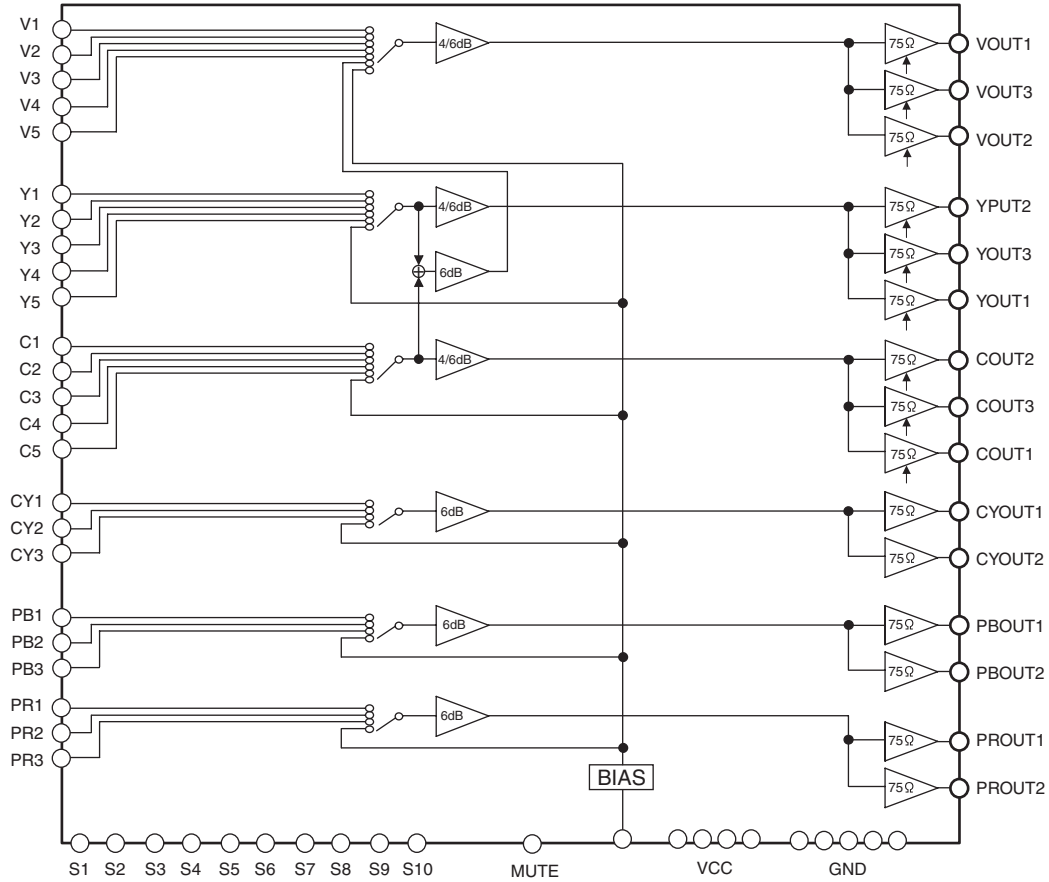
IC BLOCK DIAGRAMS AND TERMINAL DESCRIPTIONS-11**Q301 : CS42518 (8-Ch Codec with S/PDIF Receiver)-4/4****TERMINAL DESCRIPTION**

Name	Pin No.	Function
CL_SDOOUT	56	CODEC Serial Data Output (Output) - Output for two's complement serial audio data the internal and external ADCs.
ADCIN1 ADCIN2	58 57	External ADC Serial Input (Input) - The CS42518 provides for up two external stereo analog to digital converter inputs to provide a maximum of six channels on serial data output line when the CS42518 is placed in One Line mode.
OMCK	59	External Reference Clock (Input) - External clock reference that must be within the ranges specified in currently active on the serial audio data line.
SAI_LRCK	60	Serial Audio Interface Left/Right Clock (Input/Output) - Determines which channel, Left of Right, is currently active on the serial audio data line.
SAI_LRCK	61	Serial Audio Interface Serial Clock (Input/Output) - Serial clock for the Serial Audio Interface.

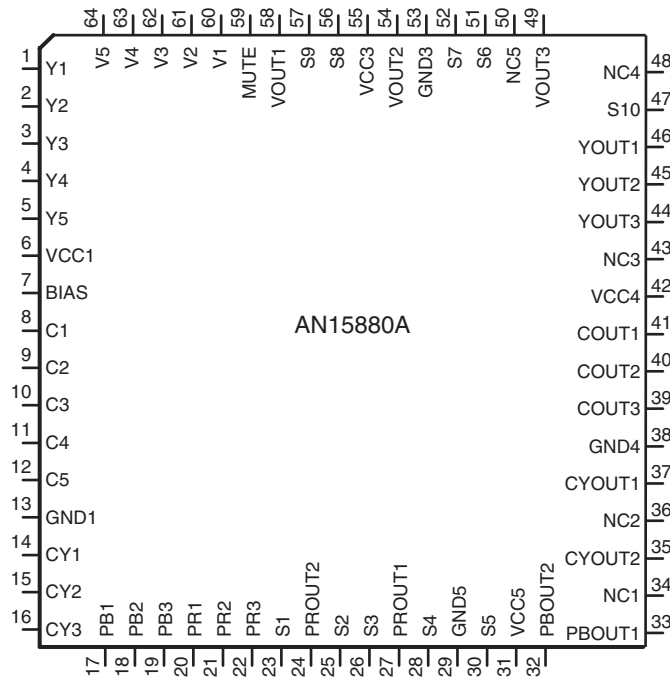
IC BLOCK DIAGRAMS AND TERMINAL DESCRIPTIONS-12

Q3001 : AN15880A (Video SW for Receiver with Multi-signal)-1/3

BLOCK DIAGRAM



PIN CONFIGURATION



IC BLOCK DIAGRAMS AND TERMINAL DESCRIPTIONS-13

Q3001 : AN15880A (Video SW for Receiver with Multi-signal)-2/3

TERMINAL DESCRIPTION (1/2)

Pin No.	Pin name	Type	Description
1	Y1	Input	Luminance signal input 1
2	Y2	Input	Luminance signal input 2
3	Y3	Input	Luminance signal input 3
4	Y4	Input	Luminance signal input 4
5	Y5	Input	Luminance signal input 5
6	VCC1	Power supply	5.0 V power supply
7	BIAS	Output	Bias voltage
8	C1	Input	Chrominance signal input 1
9	C2	Input	Chrominance signal input 2
10	C3	Input	Chrominance signal input 3
11	C4	Input	Chrominance signal input 4
12	C5	Input	Chrominance signal input 5
13	GND1	Ground1	Ground
14	CY1	Input	CY1 signal input
15	CY2	Input	CY2 signal input
16	CY3	Input	CY3 signal input
17	PB1	Input	PB1 signal input
18	PB2	Input	PB2 signal input
19	PB3	Input	PB3 signal input
20	PR1	Input	PR1 signal input
21	PR2	Input	PR2 signal input
22	PR3	Input	PR3 signal input
23	S1	Input	Logic control input 1
24	PROUT2	Output	PROUT2 signal output
25	S2	Input	Logic control input 2
26	S3	Input	Logic control input 3
27	PROUT1	Output	PROUT1 signal output
28	S4	Input	Logic control input 4
29	GND5	Ground	Ground
30	S5	Input	Logic control input 5
31	VCC5	Power supply	5.0 V power supply
32	PBOUT2	Output	PBOUT2 signal output
33	PBOUT1	---	PBOUT1 signal output
34	NC1	Output	No connection
35	CYOUT2	Output	CYOUT2 signal output

IC BLOCK DIAGRAMS AND TERMINAL DESCRIPTIONS-14

Q3001 : AN15880A (Video SW for Receiver with Multi-signal)-3/3

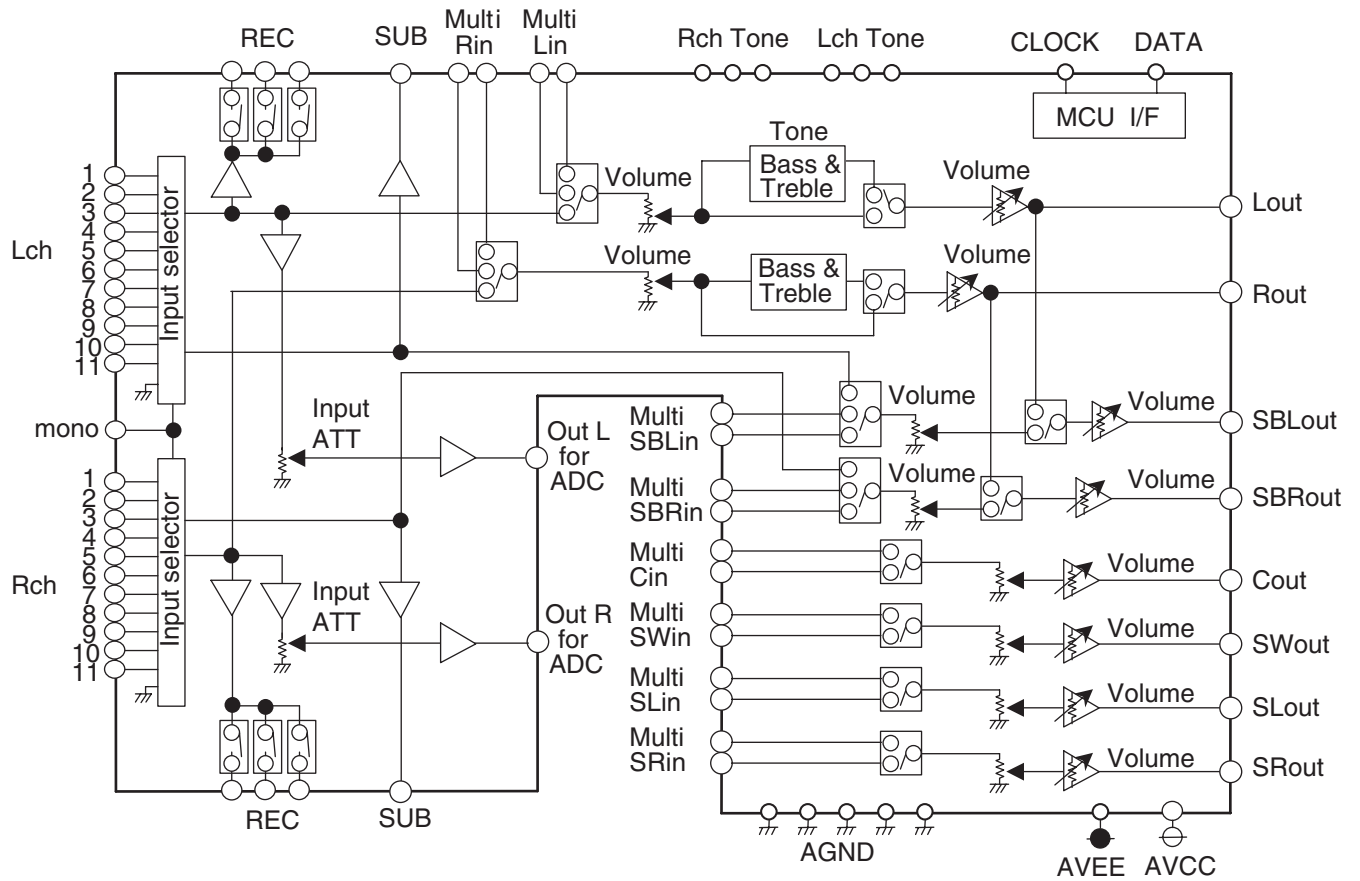
TERMINAL DESCRIPTION (2/2)

Pin No.	Pin name	Type	Description
36	NC2	---	No connection
37	CYOUT1	Output	CYOUT1 signal output
38	GND4	Ground	Ground
39	COOUT3	Output	COOUT3 signal output
40	COOUT2	Output	COOUT2 signal output
41	COOUT1	Output	COOUT1 signal output
42	VCC4	Power supply	5.0 V power supply
43	NC3	---	No connection
44	YOUT3	Output	YOUT3 signal output
45	YOUT2	Output	YOUT2 signal output
46	YOUT1	Output	YOUT1 signal output
47	S10	Input	Logic control input 10
48	NC4	---	No connection
49	VOOUT3	Output	VOOUT3 signal output
50	NC5	---	No connection
51	S6	Input	Logic control input 6
52	S7	Input	Logic control input 7
53	GND3	Ground	Ground
54	VOOUT2	Output	VOOUT2 signal output
55	VCC3	Power supply	5.0 V power supply
56	S8	Input	Logic control input 8
57	S9	Input	Logic control input 9
58	VOOUT1	Output	VOOUT1 signal output
59	MUTE	Input	Logic mute control input
60	V1	Input	Video composite signal input 1
61	V2	Input	Video composite signal input 2
62	V3	Input	Video composite signal input 3
63	V4	Input	Video composite signal input 4
64	V5	Input	Video composite signal input 5

IC BLOCK DIAGRAMS AND TERMINAL DESCRIPTIONS-15

Q5501 : R2S15211FP (8 ch Electronic Volume and 11 Input Selector and Tone Control)-1/3

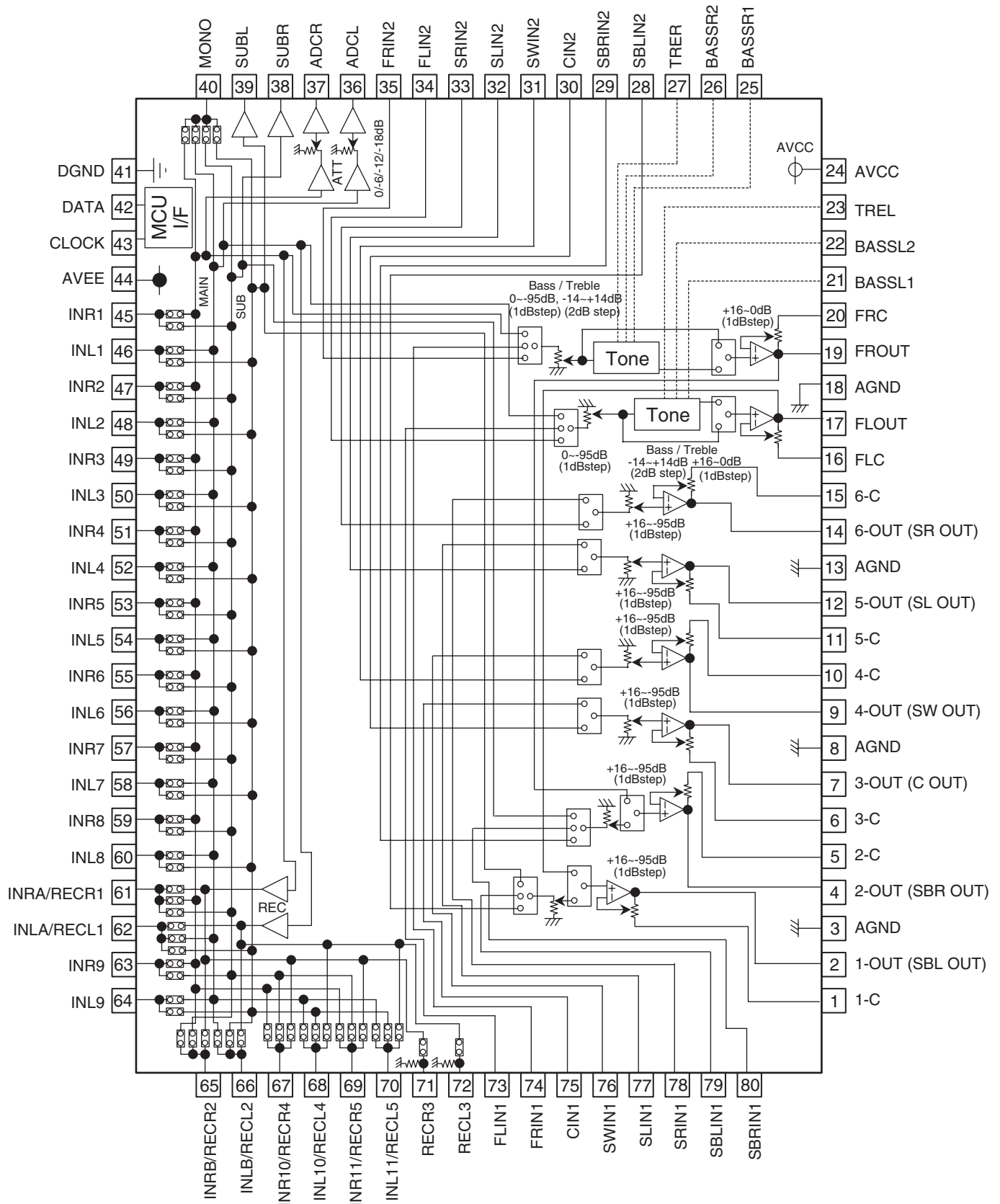
SYSTEM BLOCK DIAGRAM



IC BLOCK DIAGRAMS AND TERMINAL DESCRIPTIONS-16

Q5501 : R2S15211FP (8 ch Electronic Volume and 11 Input Selector and Tone Control)-2/3

BLOCK DIAGRAM AND PIN CONFIGURATION



IC BLOCK DIAGRAMS AND TERMINAL DESCRIPTIONS-17

Q5501 : R2S15211FP (8 ch Electronic Volume and 11 Input Selector and Tone Control)-3/3

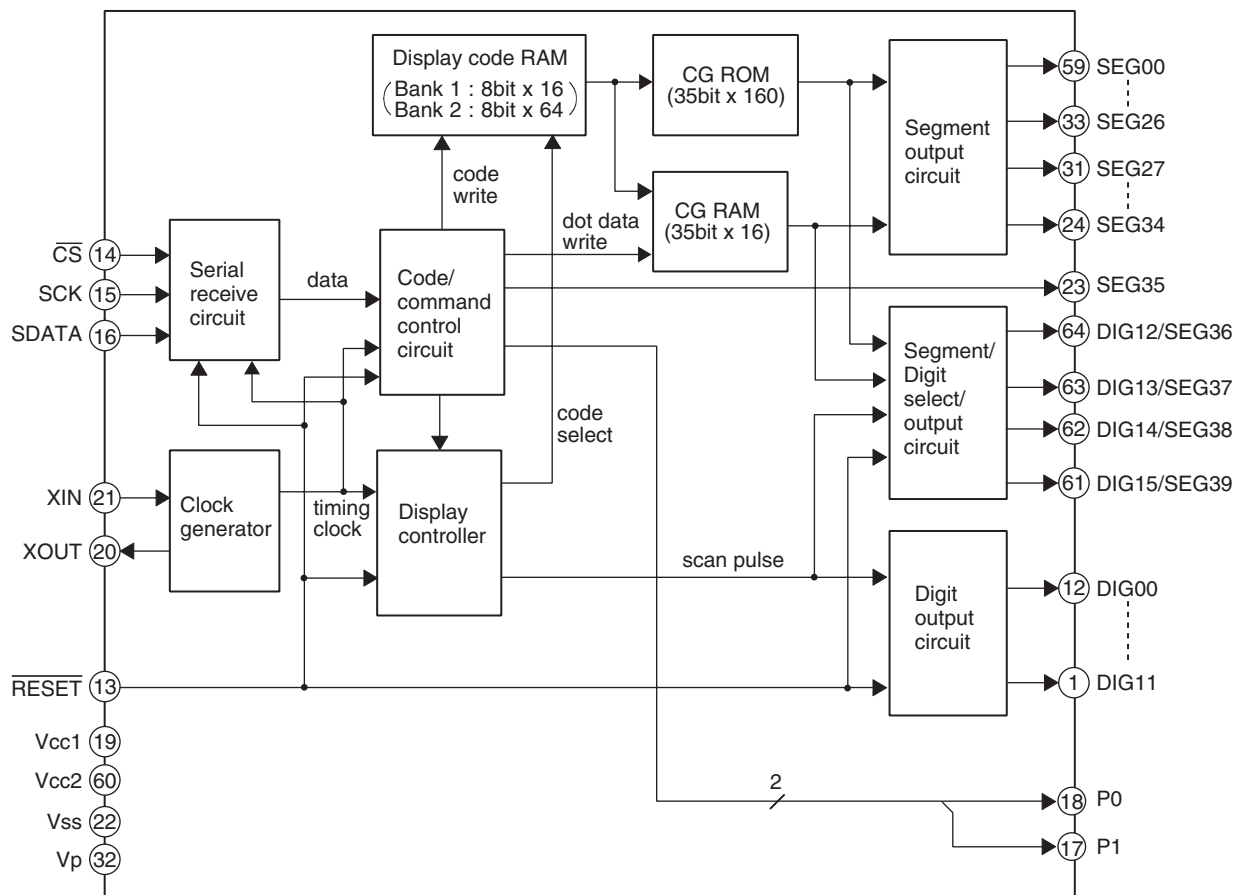
TERMINAL DESCRIPTION

PIN No.	Name	Function
19,17, 14,12, 9,7, 4,2	FROUT,FLOUT, 6-OUT,5-OUT, 4-OUT, 3-OUT, 2-OUT,1-OUT	Output pin of FL/FR/C/SW/SL/SR/SBL/SBR channel
20,16, 15,11, 10,6, 5,1	FRC,FLC, 6-C,5-C, 4-C,3-C, 2-C,1-C	Connects capacitor for reducing click noise of L/R/C/SW/SL/SR/SBL/SBR channel volume
3,8, 13,18	AGND	Analog ground of internal circuit
23,27	TREL, TRER	Frequency characteristic setting pin of L/R channel tone control(Treble)
21,22, 25,26	BASSL1, BASSL2 BASSR1, BASSR2	Frequency characteristic setting pin of L/R channel tone control(Bass)
24	AVCC	Positive power supply to internal circuit
35,34, 33,32, 31,30, 29,28	FRIN2, FLIN2, SRN2,SLIN2, SWIN2,CIN2, SBRIN2,SBLIN2	Input pin of L/R/C/SW/SL/SR/SBL/SBR channel (Multi IN 1/2)
73,74, 75,76, 77,78, 79,80	FLIN1, FRIN1, CIN1,SWIN1, SLIN1,SRIN1, SBLIN1,SBRIN1	
41	DGND	Digital ground of internal circuit
42	DATA	Input pin of control data
43	CLOCK	Input pin of control clock
44	AVEE	Negative power supply to internal circuit
46,48,50, 52,54,56, 58,60,64	INL1, INL2, INL3, INL4, INL5, INL6, INL7, INL8, INL9	Input pin of L/R channel (Input Selector)
45,47,49, 51,53,55, 57,59,63	INR1, INR2, INR3, INR4, INR5, INR6, INR7, INR8, INR9	
40	MONO	Input pin of monaural (Input Selector)
38,39	SUBL,SUBR	Output pin for L/R channel SUB Output
36,37	ADCL, ADCR	Output pin for L/R channel ADC
72	RECL3	Output pin for L/R channel REC Output
71	RECR3	
61,62, 65,66, 67,68, 69,70	INRA/RECR1,INLA/RECL1, INRB/RECR2,INLB/RECL2, INR10/RECR4,INL10/RECL4, INR11/RECR5,INL11/RECL5	Input pin of L/R channel (Input Selector)/ Output pin for L/R channel REC Output

IC BLOCK DIAGRAMS AND TERMINAL DESCRIPTIONS-18

Q7003 : M66005-0001AHP (FL Tube Driver)

BLOCK DIAGRAM



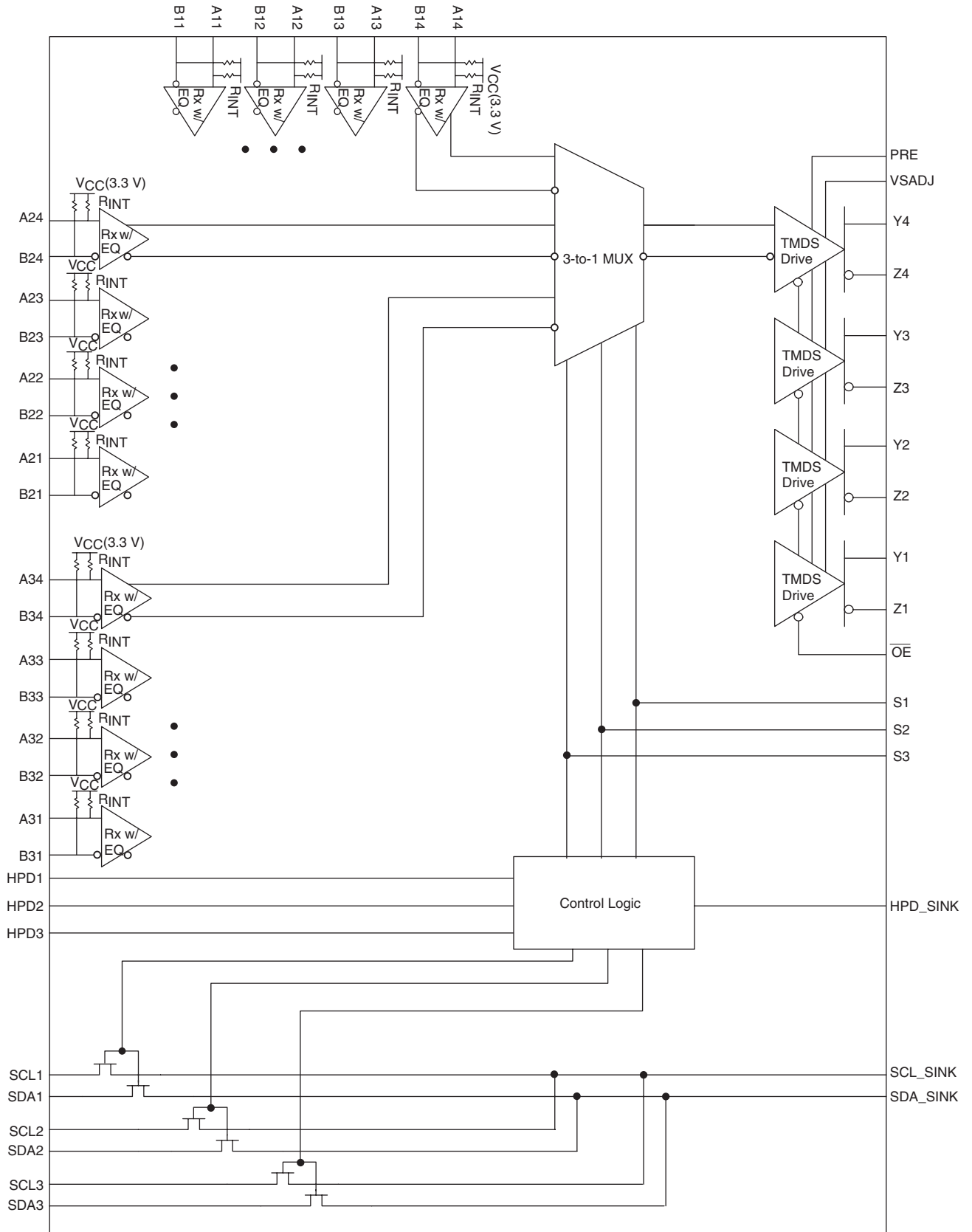
TERMINAL DESCRIPTION

PIN NO.	SYMBOL	PIN NAME	DESCRIPTION
13	$\overline{\text{RESET}}$	Reset input	This pin is used to initialize the internal state of the M66004.
14	$\overline{\text{CS}}$	Chip select input	"L" : Communication with the MCU is possible. "H" : Any instruction from the MCU is neglected.
15	SCK	Shift clock input	At the rising edge from "L" to "H", input data is shifted.
16	SDATA	Serial data input	Character code or command data to display is input from MSB.
21, 20	XIN, XOUT	Clock input Clock output	This pin is used to connect a resistor and a capacitor externally to set oscillation frequency.
1~12 61~64	DIG00 ~ DIG15	Digit output	These pins are used to connect to digit pins of VFD.
23~31 33~59	SEG00 ~ SEG39	Segment output	These pins are used to connect to segment pins of VFD.
17, 18	P0, P1	---	Output port (static operation)
19	VCC1	---	Positive power supply for internal logic.
60	VCC2	---	Positive power supply for high-pressure-resistant output port.
22	VSS	---	GND
32	VP	---	Negative power supply for VFD drive.

IC BLOCK DIAGRAMS AND TERMINAL DESCRIPTIONS-19

Q8001 : TMDS341APFCR (HDMI Switch)-1/2

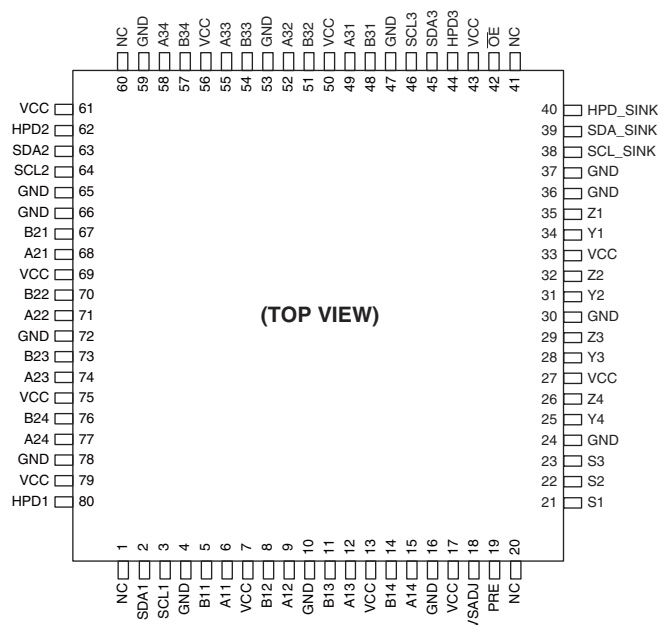
BLOCK DIAGRAM



IC BLOCK DIAGRAMS AND TERMINAL DESCRIPTIONS-20

Q8001 : TMDS341APFCR (HDMI Switch)-2/2

PIN LAYOUT



TERMINAL DESCRIPTION

PIN NAME	PIN NO.	I/O	DESCRIPTION
A11, A12, A13, A14	6, 9, 12, 15	I	Port 1 TMDS positive inputs
A21, A22, A23, A24	68, 71, 74, 77	I	Port 2 TMDS positive inputs
A31, A32, A33, A34	49, 52, 55, 58	I	Port 3 TMDS positive inputs
B11, B12, B13, B14	5, 8, 11, 14	I	Port 1 TMDS negative inputs
B21, B22, B23, B24	67, 70, 73, 76	I	Port 2 TMDS negative inputs
B31, B32, B33, B34	48, 51, 54, 57	I	Port 3 TMDS negative inputs
GND	4, 10, 16, 24, 30, 36, 37, 47, 53, 59, 65, 66, 72, 78	---	Ground
HPD1	80	O	Port 1 hot plug detector output
HPD2	62	O	Port 2 hot plug detector output
HPD3	44	O	Port 3 hot plug detector output
HPD_SINK	40	I	Sink side hot plug detector input High: 5-V power signal asserted from source to sink and EDID is ready Low: No 5-V power signal asserted from source to sink, or EDID is not ready
NC	1, 20, 41,60	---	No connect
OE	42	I	Output enable, active low
PRE	19	I	Output de-emphasis adjustment High: 3 dB Low: 0 dB
SCL1	3	I/O	Port 1 DDC bus clock line
SCL2	64	I/O	Port 2 DDC bus clock line
SCL3	46	I/O	Port 3 DDC bus clock line
SCL_SINK	38	I/O	Sink side DDC bus clock line
SDA1	2	I/O	Port 1 DDC bus data line
SDA2	63	I/O	Port 2 DDC bus data line
SDA3	45	I/O	Port 3 DDC bus data line
SDA_SINK	39	I/O	Sink side DDC bus data line
S1, S2, S3	21, 22, 23	I	Source selector input
VCC	7, 13, 17 27, 33, 43, 50, 56, 61, 69, 75, 79	---	Power supply
VSADJ	18	I	TMDS compliant voltage swing control
Y1, Y2, Y3, Y4	34, 31, 28, 25	O	TMDS positive outputs
Z1, Z2, Z3, Z4	35, 32, 29, 26	O	TMDS negative outputs

MICROPROCESSOR TERMINAL DESCRIPTIONS-1

Q701 : M30624MHP-456FP (Main Microprocessor)

Pin No.	Pin Name	I/O	Act.	Description
1	HDMISEL3	O	H	HDMI switch IC (TMDS341A) control.
2	HDMISEL2	O	H	HDMI switch IC (TMDS341A) control.
3	ROMCLK	O	CLK	EEPROM IC (R1EX25064) clock output.
4	FANCTRL	O	L	MWT type : Cooling fan control. Other type : Not used.
5	VDSWS2	O	L	Video switch IC (AN15880A) control.
6	XMLNK	---	---	Not used.
7	XMANT	---	---	Not used.
8	BYTE	---	---	Not used.
9	CNVSS	---	---	Processor mode select.
10	RDSDATA/XMSRSEL	I/O	H	MPP type : RDS data input. MDD, MDC type : XM/SIRIUS select.
11	SBZ2MUT	O	H	Surround back / Zone 2 muting control.
12	RESET	I	L	Reset input.
13	XOUT	O	---	Connected to oscillator.
14	VSS	---	---	Ground.
15	XIN	I	---	Connected to oscillator.
16	VCC1	---	---	Power supply.
17	NU	---	---	Not used.
18	POFF	I	L	Power failure detection input.
19	DCKDET	I	L	Dock detection input.
20	RDSCLK/ XMDACRST	I	L	MPP type : RDS clock input. Other type : Not used.
21	VDSWS4	O	L	Video switch IC (AN15880A) control.
22	Z2LPMUT	O	H	Zone 2 line/ preout muting control.
23	DIRINT0	I	H	DIR/ CODEC IC (CS42518) unlock detection input.
24	DSPINT1	I	L	DSP IC (D788E001) detection input. (DEC)
25	VDSWS6	O	L	Video switch IC (AN15880A) control.
26	DSPINT0	I	L	DSP IC (D788E001) detection input. (NIC)
27	DSPINT2	I	L	DSP IC (D788E001) detection input. (BUSY)
28	VDSWS3	O	L	Video switch IC (AN15880A) control.
29	DCKRXD	O	H	Dock UART data receive signal output.
30	DCKTXD	I	H	Dock UART data transmitter signal input.
31	FTXD	O	H	Flash microprocessor writing port.
32	FRXD	I	H	Flash microprocessor writing port.
33	FCLK	O	CLK	Flash microprocessor writing port.
34	FBUSY	O	H	Flash microprocessor writing port.
35	XMSRTXD	O	H	SIRIUS UART data output.
36	XMSRRXD	I	H	SIRIUS UART data input.
37	XMRST	---	---	Not used.
38	DIRCS	O	L	DIR/ CODEC IC (CS42518) chip select output.
39	DIRRST	O	L	DIR/ CODEC IC (CS42518) reset control output.
40	DSPCS	O	L	DSP IC (D788E001) chip select output.
41	FEPM	I	H	Flash microprocessor writing port.
42	DSPRST	O	L	DSP IC (D788E001) reset control output.
43	DIGCLK	O	CLK	DIR IC (CS42518) clock output.
44	DIGSDI	I	H	DIR IC (CS42518) data input.
45	DIGSDO	O	H	DIR IC (CS42518) data output.
46	FCE	I	H	Flash microprocessor writing port.
47	AMUT	O	H	Audio muting control output.
48	SPRLB	O	H	Speaker B relay control output.
49	SPRLSB	O	H	Surround back speaker relay control output.
50	SPRLCS	O	H	Center/ Surround speaker relay control output.

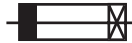
MICROPROCESSOR TERMINAL DESCRIPTIONS-2

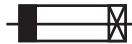
Q701 : M30624MHP-456FP (Main Microprocessor)

Pin No.	Pin Name	I/O	Act.	Description
51	SPRLF	O	H	Front Speaker relay control output.
52	ROMSDO	O	H	EEPROM IC (R1EX25064) data transmitter output.
53	VOLDAT	O	H	Volume/ selector IC (R2S15211) data output.
54	VOLCLK	O	CLK	Volume/ selector IC (R2S15211) clock output.
55	ROMSDI	I	H	EEPROM IC (R1EX25064) data input.
56	VPOWER	O	H	Video circuit power supply control.
57	APOWER	O	H	Main power supply control.
58	POFF2	I	L	Power failure detection 2.
59	NU	---	---	Not used.
60	VDSWS1	O	L	Video switch IC (AN15880A) control.
61	VDSWS7	O	L	Video switch IC (AN15880A) control.
62	VCC2	---	---	Power supply.
63	SEC1H	O	H	Secondary-1 (high) power supply control.
64	VSS	---	---	Ground.
65	PROTECT	I	H	Speaker protect detection.
66	VOLH	I	A/D	Power amplifier output voltage detection.
67	THERMAL	I	A/D	Thermal detection.
68	INIT3	I	A/D	Initial setting.
69	INIT2	I	A/D	Initial setting.
70	INIT1	I	A/D	Initial setting.
71	BAND	I	A/D	Initial setting.
72	SYSOUT	O	L	RI (System control) output.
73	SYSIN	I	H	RI (System control) input.
74	VDSWS8	O	L	Video switch IC (AN15880A) control.
75	REMIN	I	L	Remote control signal input.
76	STEREO	I	L	FM stereo detection.
77	SD	I	L	FM/ AM receive detection.
78	HPDET	I	H	Headphone detection input.
79	VOLB	I	H	Rotary encoder (volume) input.
80	VOLA	I	H	Rotary encoder (volume) input.
81	ROMCS	O	L	EEPROM IC (R1EX25064) chip select output.
82	MICDET	I	L	Setup Mic detection input.
83	MICMUT	O	H	Setup Mic muting output.
84	LEDSTBY	O	H	Standby LED control output.
85	FLDSDO	O	H	FL driver IC (M66005) data output.
86	FLDCLK	O	CLK	FL driver IC (M66005) clock output.
87	FLDCS	O	L	FL driver IC (M66005) chip select output.
88	FLDRST	O	L	FL driver IC (M66005) reset output.
89	PLLSCL	O	CLK	Tuner unit I2C clock output.
90	PLLSDA	I/O	H	Tuner unit I2C data input/ output.
91	KEYINT1	I	L	Key input.
92	KEYINT0	I	L	Key input.
93	KEY3	I	A/D	Key input.
94	KEY2	I	A/D	Key input.
95	KEY1	I	A/D	Key input.
96	AVSS	---	---	Ground. (A/D)
97	KEY0	I	A/D	Key input.
98	VREF	---	---	Power supply. (A/D reference)
99	AVCC	---	---	Power supply. (A/D)
100	HDMISEL1	O	H	HDMI switch IC (TMDS341A) control.

SERVICE PROCEDURE-1

1. Replacing the fuses

 This symbol located near the fuse indicates that the fuse used is slow operating type. For continued protection against fire hazard, replace with same type fuse. For fuse rating, refer to the marking adjacent to the symbol.

 Ce symbole indique que le fusible utilise est e lent. Pour une protection permanente, n'utiliser que des fusibles de meme type. Ce demier est indique la qu le present symbol est apposre.

REF NO.	PART NAME	DESCRIPTION	PART NO.	REMARKS
F901	FUSE	8A-UL/T-233	252329GR	!, <MDD, MDC>
F901 or	FUSE	8A-T/UL-ST2	252261GR	!, <MDD, MDC>
F901	FUSE	4A-SE-EAK FUSE	252077GR	!, <MPP>
F901 or	FUSE	4A-SE-TL250V	252277GR	!, <MPP>
F6901	FUSE	10A-UL/T-233	252330GR	!
F6901 or	FUSE	10A-T/UL-ST2	252333GR	!
F6902	FUSE	10A-UL/T-233	252330GR	!
F6902 or	FUSE	10A-T/UL-ST2	252333GR	!

<Notes>

<MDD> : USA model

<MDC> : Canadian model

<MPP> : European model

2. Safety check out

(U.S.A. model only)

After correcting the original service problem, perform the following safety check before releasing the unit to the customer.

Leakage current Check

Measure the leakage current to a known earth ground (water pipe or conduct etc.) by connecting a leakage current tester between the earth ground and exposed metal parts of the unit (input/output ground terminals, screw heads or metal overlays etc.).

Plug the power supply cord directly into a 120Vac 60Hz wall socket and turn ON/STANDBY button on.

Any current measured must not exceed 0.5mA.

3. Memory Backup

This model uses a EE-PROM IC in order to retain radio presets and other settings. So, memory contents will be kept eternally with no care.

4. To initialize the unit

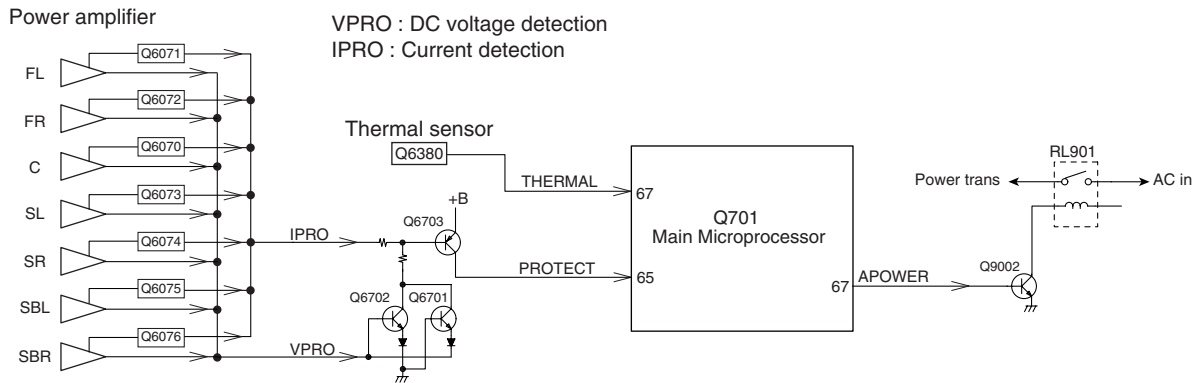
1. Press and hold down VCR/DVR button, then press ON/STANDBY button when the unit is powered on.
2. After " *Clear* " is displayed, the preset memory and each mode stored in the memory, are initialized and will return to the factory settings.

OPERATION CHECK-1

SPEAKER PROTECT-1

Circuit configuration

The unit go into protect mode when either of thermal detection, dc voltage detection or current detection circuit operates.



Condition to operate

The unit will go into the Protect mode under the following conditions.

1. Thermal condition

T (°C) Thermal sensor temperature	Protect
100 <	---> On (after 10 min.)
-30 >	---> On (immediately)
150 <	---> On (immediately)
90 < (40°C when power on)	---> On (immediately)
90 < (The unit powered on longer than 24 hours)	---> On (immediately)

2. DC voltage condition

The sum of dc voltage of 7 channel speaker outputs is more than 7 V.

3. Current condition

The ac current of speaker outputs is more than 35 A.

This condition is equivalent to TEST-4-35 in OPERATION CHECK-3.

Thermal detection check

[When]

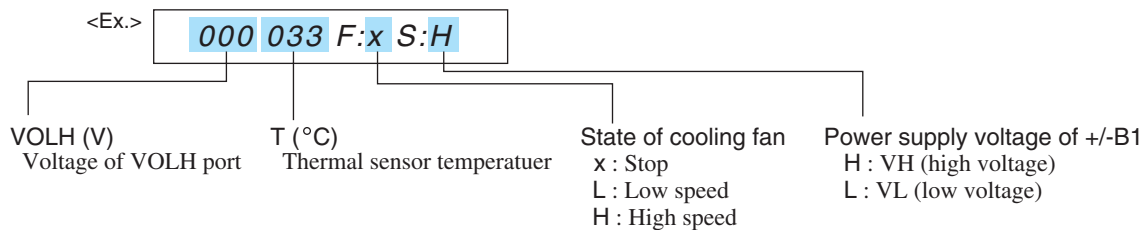
Exchange thermal sensor PC board ass'y (NAETC-9421).

[Procedure]

- Press and hold down **DISPLAY** button, then press **ON/STANDBY** button when the unit is powered on. The microprocessor version will be displayed for 3 seconds.

FL Display
<Ex.> Ver. 1.02/08408A

- Press **TONE** button while the version is displayed.



- Confirm that the displayed temperature is within +/-20 °C from the ambient temperature.

- Press **ON/STANDBY** button.



OPERATION CHECK-2

SPEAKER PROTECT-2

DC Voltage detection check

[When]

1. Exchange power transistors (Q6050 - Q6056, Q6060 - Q6066).
2. Exchange amplifier PC board ass'y (NAAF-9419).

[Procedure]

Note : No load. No input.

1. Press and hold down CD button, then press ON/STANDBY button while the unit is powered on.
" *Test - _* " is displayed only for 5 seconds.

FL Display Test - _ Blinks

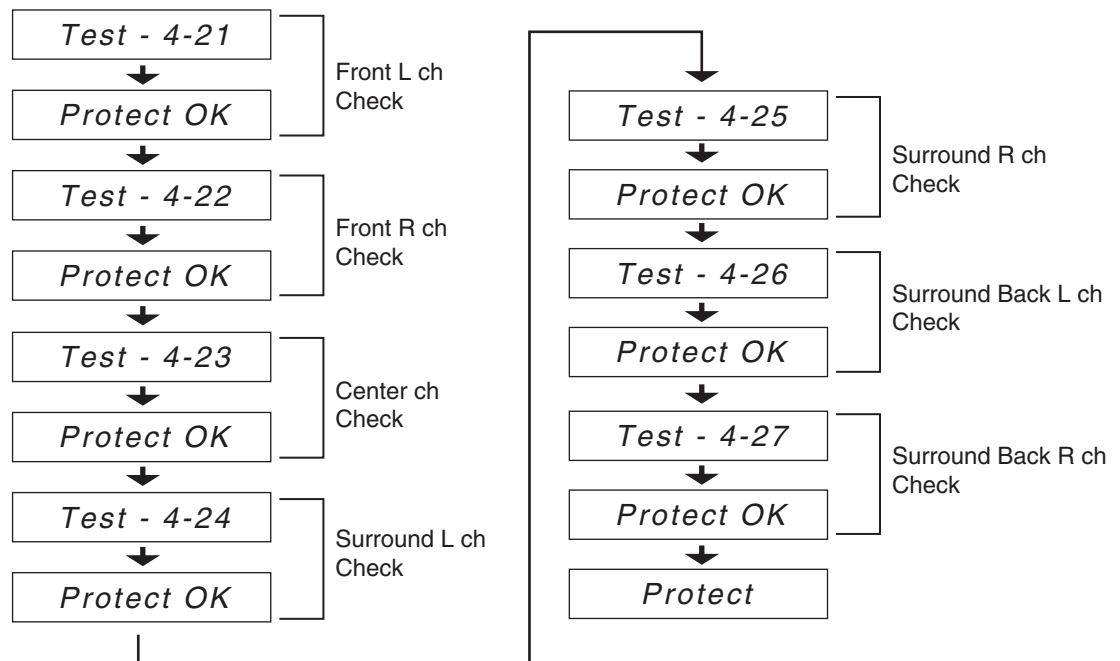
2. Press AUX button while the characters of " *Test - _* " are displayed.
The unit will be in the state of " *Test-4-00* ".

Test - 4-00

3. Repeatedly press + (TONE) button until the characters of " *Test-4-21* " are displayed.

Test - 4-21

Check whether the operation starts and continues automatically as follows.



If all channels are OK, the characters of " *Test-4-35* " are displayed.

Test - 4-35

4. Press ON/STANDBY button.

Clear

→ Turn off

OPERATION CHECK-3

SPEAKER PROTECT-3

Current detection check

[When]

1. Exchange power transistors (Q6050 - Q6056, Q6060 - Q6066).
2. Exchange amplifier PC board ass'y (NAAF-9419).


[Procedure]

Notes : No input.

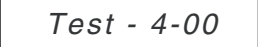
Do not check two or more channels at the same time.

Do not connect a dummy load to speaker terminal longer than 2 seconds.


1. Press and hold down CD button, then press ON/STANDBY button while the unit is powered on.
" *Test - _* " is displayed only for 5 seconds.

FL Display  Blinks

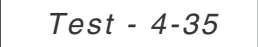
2. Press AUX button, while " *Test - _* " is displayed.
The unit will be in the state of " *Test-4-00* ".



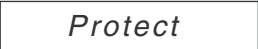
3. Repeatedly press + (TONE) button until " *Test-4-35* " is displayed.
The shape of wave form of <Fig-1> is output from the speaker terminal in this state.



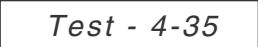
4. Connect the dummy load of 3 ohms to the Front L ch speaker terminals.
At this time, confirm that the speaker relay is not turned off.



5. Connect the dummy load of 1 ohm to the Front L ch speaker terminals.
At this time, confirm that the speaker relay is turned off and " *Protect* " is displayed.



Disconnect the dummy load immediately after checking the display of " *Protect* ".

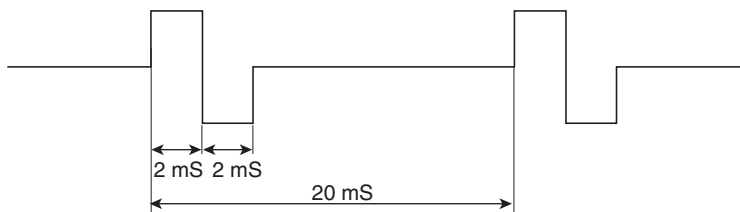


6. Check other channels according to the same procedure as 4 and 5.

7. Press the ON/STANDBY button.

 → 

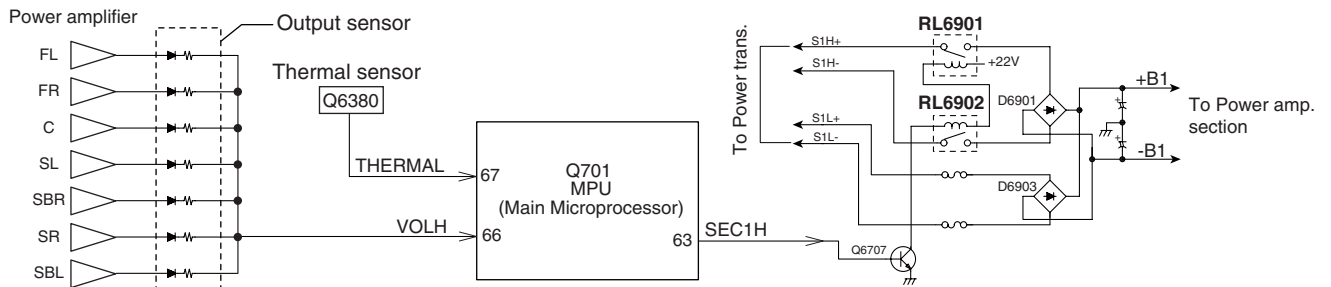
<Fig-1>
Test wave form



OPERATION CHECK-4 POWER SUPPLY CONTROL

Configuration

The power supply voltage of +/-B1 for power amplifier is changed by the relays (RL6901, 6902).



Condition to operate

The power supply voltage of +/-B1 under the following condition.

The state of "VOLH", "T", and "VH or VL" can be confirmed on the FL display. Refer to "OPERATION CHECK-1".

Operation of power supply control (VH or VL)

		VOLH (V) VOLH port of MPU		
		< 0.33	0.33 to 1.65 5 min.	1.65 < 5 sec.
T (°C) Thermal sensor temperature	< 60	VH	VL	VL
	60 <	VL	VL	VL

Operation of relay

	RL6901, 6902
VH : high voltage	ON
VL : low voltage	Off

Output sensor

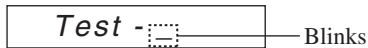
[When]

Same as the Current detection check on "OPERATION CHECK-3".

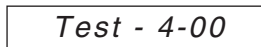
[Procedure]

Notes : No output. No input.

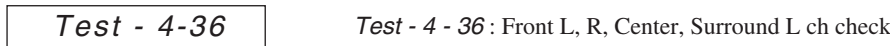
- Press and hold down CD button, then press ON/STANDBY button while the unit is powered on.
" Test - _ " is displayed only for 5 seconds.



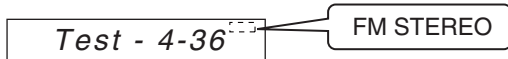
- Press AUX button while " Test - _ " is displayed. The unit will be in the state of " Test-4-00 ".



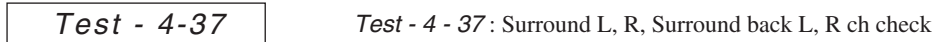
- Repeatedly press + (TONE) button until " Test-4-36 " is displayed.



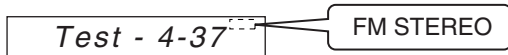
- At this time, confirm that the red characters of " FM STEREO " is displayed.
And, confirm that the relays RL6901 and RL6902 are turned off in 2 or 3 seconds.



- Press + (TONE) button then " Test-4-37 " will be displayed.



- At this time confirm that the red characters of " FM STEREO " is displayed.
And, confirm that the relays RL6901 and RL6902 are turned off in 2 or 3 seconds.



- Press ON/STANDBY button.



Thermal sensor

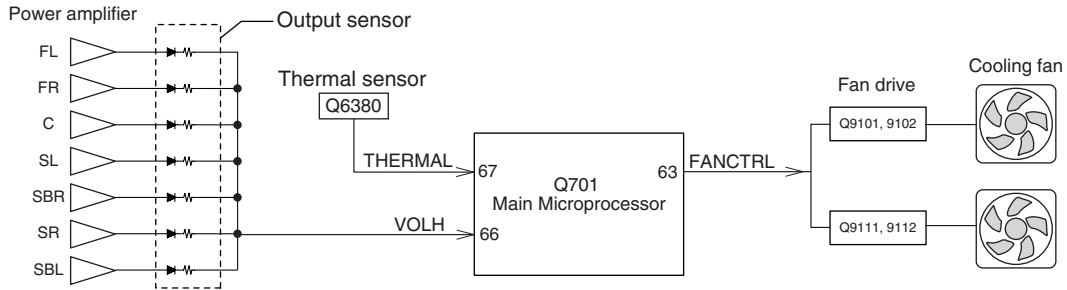
Same as the Thermal detection in "OPERATION CHECK-1".

OPERATION CHECK-5

COOLING FAN

Note : MWT, MWO, MWF type only

Circuit configuration



Condition to operate

The cooling fan will stop or rotate at high speed or low speed under the following condition.

Operation of Cooling Fan

		VOLH (V) VOLH port of MPU		
		0 to 0.35	0.35 to 1.75	1.75 to 3.3V
T (°C) Thermal sensor temperature	55 to 110	High Speed	High Speed	High Speed
	-30 to 55	Stop	Low Speed	High Speed

DEBUG MODE-1

DSP DEBUG MODE-1

The operations of DSP and DIR etc are able to checked by the information displayed on FL in this debug mode. This information will help to analysing digital audio no sound trouble.

To set in Debug mode

1. Press and hold down **DISPLAY** button, then press **ON/STANDBY** button while the unit is powered ON.
The version number of microprocessor is displayed only for 3 seconds.

Ver. 1.02/08408A

Version of Main Microprocessor FW
*Number depends on the version.

2. Press **+** (TONE) button within 3 seconds above, the version number of DSP will be displayed for 5 seconds.

DSPSR506:08130A

Version of DSP FW
*Number depends on the version.

3. Press **DISPLAY** button while the DSP version is displayed. The status of DSP and DIR etc will be displayed.

<Ex.>

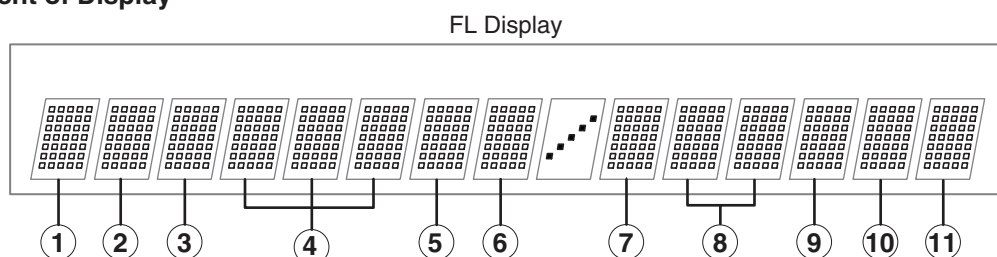
E1A48K0N/OFFP0O

DSP debug mode

To exit

Press ON/STANDBY button.

Content of Display



① DIR Input Lock/ Unlock

E = UNLOCK
= LOCK

② DIR Input RX

0 = None
1 = COAXIAL 1
2 = COAXIAL 2
3 = COAXIAL 3
4 = OPTICAL 1
5 = OPTICAL 2
6 = OPTICAL 3
7 = HDMI 1
8 = HDMI 2
9 = HDMI 3
A = HDMI 4
B = HDMI 5
C = HDMI 6
D = FRONT

③ DIR/ ADC Fix Mode

D = Digital(SPDIF)
A = Analog
M = Analog Multich
p = PCM Fixed
d = DTS Fixed

④ Sampling Frequency, Emphasis

32K = 32 kHz without Emphasis
44K = 44.1 kHz without Emphasis
48K = 48kHz without Emphasis
64K = 64 kHz
88K = 88.2 kHz
96K = 96 kHz
176 = 176.4 kHz
192 = 192 kHz
32e = 32 kHz with Emphasis
44e = 44.1 kHz with Emphasis
48e = 48 kHz with Emphasis

⑤ CODEC Clock Mode

N = Normal
U = Up Sampling
H = High Sampling (Double Rate)
D = Down Sampling
Q = Quad Rate

⑥ DIR Detect Type

0 = Analog
1 = PCM
2 = Not PCM
3 = Data
4 = DTS CD (Not used)
5 = Multich
6 = Not Decided

DEBUG MODE-2

DSP DEBUG MODE-2

Content of Display (Continued)

⑦ DSP Port

This figure is displayed in hexadecimal form.
If this is transformed to binary form, each bit indicates the following DSP port status. Refeo to <Fig-1>.

bit 0 = NIC (Normal state)
bit 1 = DEC
bit 2 = BUSY
bit 3 = Exec Wait (Abnormal state)

⑧ DSP Sequence

00 - FE = Boot
2D = Mute control
FF = Free

⑨ DSP Detect Format

P = PCM (Analog)
D = Dolby Digital
d = DTS
A = AAC
S = DSD
p = Dolby Digital+
T = True HD
H = DTSHD High Resolution
M = DTSHD Master Audio
? = Unknown

⑩ DSP Decode

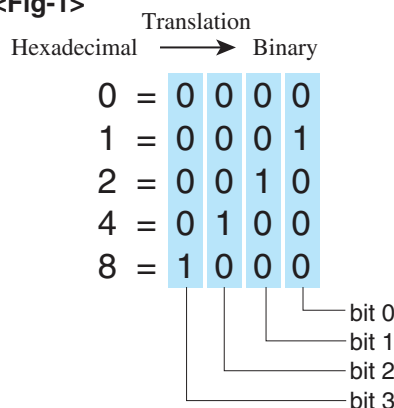
o = Decode OK
x = Decode NG

⑪ Mute output device

This figure are displayed in hexadecimal form.
If these are transformed to binary form, each bit indicates the IC which outputs error and mute. Refeo to <Fig-1>.

bit 0 = Selector IC (Q5501)
bit 1 = Effector
bit 2 = DSP (Q201)
bit 3 = DIR (Q301)

<Fig-1>



Trouble Shooting by DSP DEBUG MODE

1. This debug mode will be useful in digital audio no sound or sound drop-out trouble.
2. Check information on FL display, then identify bad parts, and replace or resolder it.
3. Remdies Written below are of typical case. So, more detailed check may need in actual cases.
4. Before replace ICs below, resolder the pins first to save resources.

<Note>

Function	Circuit No.	Schematic Diagrams
MPU (Main microprocessor)	Q701	SD-3
DSP	Q201	SD-7
DIR and DAC	Q301	SD-3
Flash ROM	Q282	SD-7
SDRAM	Q281	SD-7
Audio processor (Selector/ Volume)	Q5501	SD-1

Digit No. on FL	Symptom on FL display	Cause of trouble	Remedy
①	"E" is displayed	No input signal to DIR.	1. Find out which digital input does not work. 2. Confirm where the digital waveform stops between the digital input and DIR. 3. Resolder pins of the bad part or replace it with new one.
④	Displayed frequency is different from input signal.	No input signal to DIR.	The same as above.
⑥	Displayed audio format is different from input signal.	No input signal to DIR.	The same as above.

DEBUG MODE-3

DSP DEBUG MODE-3

Trouble Shooting by DSP DEBUG MODE (Continued)

Digit No. on FL	Symptom on FL display	Cause of trouble	Remedy
⑦	Continue to display "1"	Interface between DSP and MPU is no good.	The same remedy as ⑩-b.
	Continue to display "2"	Connection from DIR to DSP is no good.	The same remedy as ⑨.
	Continue to display "3" to "7"	Interface between DSP and MPU is no good.	The same remedy as ⑩-b.
	Continue to display "8" to "F"	DSP Sequence is no good.	Check ⑧ items.
⑧	Continue to display "03"	Communication between DSP and MPU is no good.	1. The same remedy as ⑩-b. 2. Check the voltage of the power supply pin of DSP. 3. Check the reset port and clock input of DSP by oscilloscope, and find out bad part. 4. Flash ROM firmware is no good. Update. 5. DSP or MPU is broken. Replace MPU. DSP is impossible to replace, so replace with a new PC board.
	Continue to display "05"	Writing from MPU to DSP is no good.	1. Flash ROM firmware is no good, update. 2. Check DSPSDO pin of MPU by oscilloscope. If no signal, find out bad part connected. 3. Flash ROM or SDRAM is no good, replace. 4. DSP or MPU is broken, replace the same method as above 5.
	Continue to display "09" to "10"	DSP program does not run properly. Flash ROM or SDRAM is no good.	1. Flash ROM firmware is no good, update. 2. Flash ROM or SDRAM is broken, replace.
	Continue to display "19"	The unit was powered off during DSP firmware updating.	Initialize the unit. (Press STANDBY/ON button while pushing VCR/DVR button when the unit is powered on.)
	Display "21" to "23", then return and signal format indicator is flashing.	DSP program does not run properly. Flash ROM or SDRAM is no good.	1. Flash ROM firmware is no good, upgrade. 2. Flash ROM or SDRAM is broken, replace.
	Continue to display "24" to "27", or "40" to "43".	DSP program does not run properly. Or audio clock to DSP is no good.	1. Flash ROM program is no good, upgrade. 2. Flash ROM or SDRAM is broken, replace. 3. Check DSP drive clock freq. by oscilloscope. If no signal, find out bad part connected. 4. Check audio clock to DSP by oscilloscope. If no signal, find out bad part connected.
	Continue to display "29" to "32"	DSP setting is failed.	1. Flash ROM firmware is no good, upgrade. 2. Flash ROM or SDRAM is broken, replace.
⑨	Displayed audio encoding format is different from input signal.	Input signal to DSP is no good.	1. Confirm where the digital waveform stops between DIR and DSP by oscilloscope. 2. Q202, P8001 may relate. 3. Resolder pins of the bad part or replace it with new one.
⑩	"x" is displayed.	a. No input signal to DSP.	The same as above.
		b. Interface between DSP and MPU is no good.	1. Confirm where the digital waveform stops between MPU and DSP by oscilloscope. 2. P8001, P8002, P8003 may relate. 3. Resolder pins of the bad part or replace it with new one.
⑪	This identifies IC which outputs error.	The IC outputs error to MPU.	Replace the IC chip. DSP is impossible to replace, so replace with a new PC board.

DEBUG MODE-4

SERVICE INFORMATION MODE

Trouble Shooting by Displaying Service information

This service information display system is helpful in analyze the status when the unit goes into Protect mode and is powered off. Pay attention that the status will change if a button is pushed.

1. Press and hold down **DISPLAY** button, then press **ON/STANDBY** button while the unit is powered ON.
The version of main microprocessor is displayed only for 3 seconds.

<Ex.> Ver. 1.02/08408A — Version of Main microprocessor
*Number depends on the version.

2. Press **SETUP** button within 3 seconds above, the following informations are displayed.

<Ex.> - 80 °F 27 DD Information Displayed

Power off Cause Temperature Volume Level Listenning Mode
P : Protect : xx F or xx C xx xx ---> Refer to the code list below.
- : Other

Listening Mode Code List

Code	Listening Mode	Code	Listening Mode	Code	Listening Mode
01	Pure Audio	26	Neo:6 Cinema	30	DTS-HD High Resolution
02	Direct	27	Neo:6 Music	30	DTS-HD Master Audio
03	Stereo	28	Neural Surround	30	DSD
04	Mono	40	PLII Movie THX	39	+PLIIX Movie
07	Mono Movie	41	PLIIX Movie THX	3A	+PLIIX Music
09	Orchestra	42	Neo:6 Cinema THX	38	Dolby EX
0A	Unplugged	43	PLII Movie THX Games	37	+Neo:6
0B	Studio-Mix	44	Neo:6 Cinema THX Games	31	DTS Matrix
0C	TV Logic	29	Neural-THX	31	DTS Discrete
0D	All CH Stereo	30	Dolby Digital	50	THX Cinema
0E	Full Mono	30	DTS	58	THX Surround EX
0F	PLII Movie T-D	3B	DTS96/24	5C	THX Ultra2 Cinema
20	PLII Movie	30	AAC	5D	THX Music Mode
21	PLII Music	30	MultiCh	5E	THX Games
22	PLII Game	30	Dolby Digital Plus	59	+PLIIX Movie THX
23	PLIIX Movie	30	Dolby TrueHD	57	+Neo:6 THX
24	PLIIX Music			3D	+Neural-THX
25	PLIIX Game			51	DTX Matrix THX
				52	DTS Discrete THX

3. Press **SETUP** button again. The following information are displayed.

<Ex.> 01:23 10hour

Time after Power on Time after Initialize
xx : xx xx hour

4. Press **RETURN** button. The information will be cleared.

<Ex.> ProtectData CLR

ADJUSTMENT PROCEDURE-1

IDLING CURRENT ADJUSTMENT

[When]

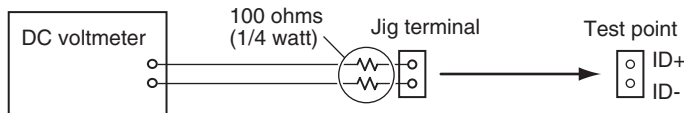
1. Exchange Power transistor (Q6050 - Q6056, Q6060 - Q6066).
2. Amplifier PC board (NAAF-9419).

[Procedure]

Refer to "ADJUSTMENT PROCEDURE-2 " for the adjustment points and the test points.

<Note> No load and No signal

1. Before idling adjustment, turn the trimming resistors fully to counter clockwise.
2. Connect the dc voltmeter to test points, using two 100 ohm resistors between the poles of the jig terminal and the dc voltmeter terminals.



3. Connect the ac power cord to a wall outlet. And press ON/STANDBY button to turn the power on.
4. Adjust the trimming resistors as the following procedure immediately after power on.

Channel	Adjustment point	Test point	Adjustment value
Front Left	R6041	P6081	2.5 mV
Front Right	R6042	P6082	
Center	R6040	P6080	
Surround Left	R6043	P6083	1.5 mV
Surround Right	R6044	P6084	
Surround Back Left	R6045	P6085	
Surround Back Right	R6046	P6086	

5. Wait for 4 - 6 minutes. (Heat running)
6. Re-adjust the trimming resistors as the following procedure.

Channel	Measured value	Adjustment value	Specifications
Front Left, Front Right and Center	In below 9 mV →	9 mV	12 +/- 3 mV
	In case 9 - 11 mV →	Leave it as it is	
	In case over 11 mV →	11 mV	
Surround Left Surround Right Surround Back Left Surround Back Right	In case below 6 mV →	6 mV	9 +/- 3 mV
	In case 6 - 8 mV →	Leave it as it is	
	In case over 8 mV →	8 mV	

<Notes>

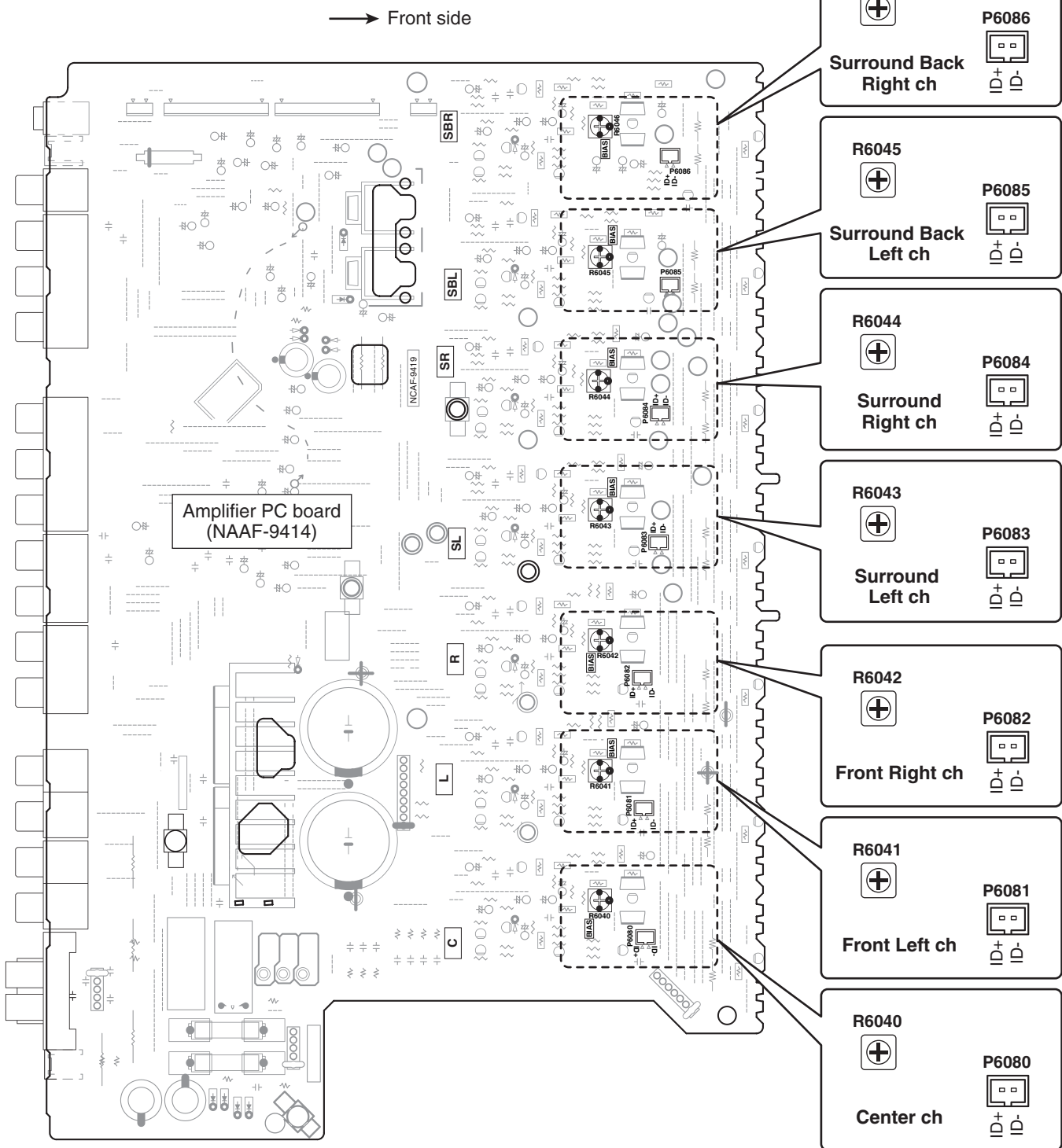
Idling currents are stabilized in about 10 minutes after power on.

7. Disconnect the dc voltmeter.
8. Press ON/STANDBY button to turn the power off. And disconnect the ac power cord.

ADJUSTMENT PROCEDURE-2 IDLING CURRENT ADJUSTMENT

Adjustment points and the test points

Adjustment point
(Trimming resistor) Test point



HT-R560**<Note>**

Parts marked by "NSP" are generally unavailable because they are not in our Master Spare Parts List.

**NOTE : THE COMPONENTS IDENTIFIED BY THE MARK
! ARE CRITICAL FOR RISK OF FIRE AND
ELECTRIC SHOCK. REPLACE ONLY WITH PART
NUMBER SPECIFIED.**

<Notes>

(B) : Black model

(S) : Silver model

<MDD> : USA model

<MDC> : Canadian model

<MPP> : European model

EXPLODED VIEW PARTS LIST

	REF. NO.	PART NAME	DESCRIPTION	Q'TY	PART NO. (SN)	REMARKS
EXPLODED	A001	CHASSIS	(FRONT)	1	27100513A	
EXPLODED	A002	SCREW	3TTB+8B(3CM)SR	5	801637	
EXPLODED	A003	B PLATE	---	1	28133425	(B)
EXPLODED	A003	B PLATE	---	1	28133426	(S)
EXPLODED	A004	RETAINER	(F)	1	27142099	
EXPLODED	A005	SCREW	3TTB+8B(3CM)SR	2	801637	
EXPLODED	A011	SCREW	2.6TTB+8B(3BC)	18	838426088GR	
EXPLODED	A012	SCREW	2.6TTB+8B(3BC)	3	838426088GR	
EXPLODED	A013	WIRE TIE	BSK-1	8	260208	
EXPLODED	A016	SCREW	3TTB+8B(3CM)SR	1	801637	
EXPLODED	A018	HOLDER	KGLS-22S	3	27190369	
EXPLODED	A020	HOLDER	KGLS-16RT	2	27190511	
EXPLODED	A021	HOLDER	KGPS-16RF	5	27190991	
EXPLODED	A022	HOLDER	KGLS-10RT	1	27190428A	
EXPLODED	A030	SCREW	4TTC+8C(3BC)	4	830440089GR	

EXPLODED	A031	SPACER	---	1	27270439	
EXPLODED	A033	LABEL	(PT)	1	29363379-1	
EXPLODED	A035	HOLDER	KGLS-14RT	1	27190524	
EXPLODED	A037	BUSHING	S-RELIEF #2271	1	27300750	!
EXPLODED	A039	TAPE	TAPE(CLOTH-16U)	(1)	29110083	
EXPLODED	A040	HEAT SINK	(AS)	1	27160602A	
EXPLODED	A041	BRACKET	(HT-L)	1	27131016B	
EXPLODED	A042	BRACKET	(HT-R)	1	27131017A	
EXPLODED	A043	SCREW	3TTB+8B(3CM)SR	4	801637	
EXPLODED	A044	SCREW	3TTB+8B(3CM)SR	4	801637	
EXPLODED	A046	SCREW	3TTB+8B(3CM)SR	2	801637	
EXPLODED	A047	SCREW	3TTB+8B(3CM)SR	2	801637	
EXPLODED	A048	SCREW	3TTB+8B(3CM)SR	1	801637	
EXPLODED	A049	SCREW	3SMS8W.SW+14B(CU)	14	801634	
EXPLODED	A050	IB CUSHION	W15 x 3t TAPE	1	28141585	
EXPLODED	A052	SCREW	3TTB+8B(3CM)SR	1	801637	
EXPLODED	A055	KNOB	(VOL) BLACK	1	28326514	(B)
EXPLODED	A055	KNOB	(VOL) SILVER	1	28326515	(S)
EXPLODED	A060	COVER	(B) (Bent)	1	28210010	(B)
EXPLODED	A060	COVER	(S) (Bent)	1	28210011	(S)
EXPLODED	A060	COVER	(B) (Not bent)	1	28210010Z	(B) <MDD, MDC>
EXPLODED	A060	COVER	(S) (Not bent)	1	28210011Z	(S) <MDC>
EXPLODED	A061	SCREW	3TTB+8B(3BC)	6	838430088GR	(B)
EXPLODED	A061	SCREW	3TTB+8B(3CM)SR	6	801637	(S)
EXPLODED	A062	CUSHION	---	2	28141681	
EXPLODED	A066	BOTTOM LEG	TX-SR506	4	27175441A	
EXPLODED	A067	WASHER	W3 x 8F(3CM)	4	87613008GR	
EXPLODED	A068	SCREW	3TTB+10B(3BC)	4	838430108GR	
EXPLODED	A071	CUSHION	---	3	28141688	
EXPLODED	A072	CHASSIS	506	1	---	NSP
EXPLODED	A073	F PANEL	(B)MDD/H560	1	27213076A	(B) <MDD>
EXPLODED	A073	F PANEL	(B)MDD/H560	1	27213076A	(B) <MDC>
EXPLODED	A073	F PANEL	(B)MPP/H560	1	27213078A	(B) <MPP>

EXPLODED	A073	F PANEL	(S)MDC/H560	1	27213077A	(S) <MDC>
EXPLODED	A074	KNOB	(PRE)/B	1	28326618	(B)
EXPLODED	A074	KNOB	(PRE)/S	1	28326619	(S)
EXPLODED	A075	KNOB	(A)/B	1	28326615	(B)
EXPLODED	A075	KNOB	(A)/S	1	28326616	(S)
EXPLODED	A076	KNOB	(STNBY)/B	1	28326621	(B)
EXPLODED	A076	KNOB	(STNBY)/S	1	28326622	(S)
EXPLODED	A077	BADGE	---	1	28135244	(B)
EXPLODED	A077	BADGE	---	1	28135298	(S)
EXPLODED	A083	CLEAR PLT	HT-R560(B)DD	1	28192189	
EXPLODED	A089	SCREW	3TTB+8B(3BC)	3	838430088GR	
EXPLODED	A093	REAR PANEL	HT-R560MDD/MDC	1	27123793A	<MDD, MDC>
EXPLODED	A093	REAR PANEL	HT-R560MPP	1	27123794B	<MPP>
EXPLODED	A096	SCREW	3P+6FN(3BC)	7	82143006GR	<MDD, MDC>
EXPLODED	A096	SCREW	3P+6FN(3BC)	6	82143006GR	<MPP>
EXPLODED	A097	SCREW	3TTB+8B(3BC)	30	838430088GR	
EXPLODED	A102	LABEL	(COVER)	1	29364123	
EXPLODED	A103	LABEL	(SP)	1	29390250A	
EXPLODED	A104	LABEL	(SP_RE)TX-SR506	1	29390384	
EXPLODED	A109	LABEL	HOOKUP-ONKYO	1	29363194	<MDD, MDC>
EXPLODED	Q6050	TR	2SC5242-O	1	2202843	!
EXPLODED	Q6050 or	TR	2SC5242-R	(1)	2202842	!
EXPLODED	Q6050A	ISO SHEET	AC238	2	223024	
EXPLODED	Q6050B	ISO SHEET	ISO SHEET	6	223041	
EXPLODED	Q6051	TR	2SC5242-O	1	2202843	!
EXPLODED	Q6051 or	TR	2SC5242-R	(1)	2202842	!
EXPLODED	Q6052	TR	2SC5242-O	1	2202843	!
EXPLODED	Q6052 or	TR	2SC5242-R	(1)	2202842	!
EXPLODED	Q6053	TR	2SC5242-O	1	2202843	!
EXPLODED	Q6053 or	TR	2SC5242-R	(1)	2202842	!
EXPLODED	Q6054	TR	2SC5242-O	1	2202843	!
EXPLODED	Q6054 or	TR	2SC5242-R	(1)	2202842	!
EXPLODED	Q6055	TR	2SC5242-O	1	2202843	!

EXPLODED	Q6055 or	TR	2SC5242-R	(1)	2202842	!
EXPLODED	Q6056	TR	2SC5242-O	1	2202843	!
EXPLODED	Q6056 or	TR	2SC5242-R	(1)	2202842	!
EXPLODED	Q6060	TR	2SA1962-O	1	2202833	!
EXPLODED	Q6060 or	TR	2SA1962-R	(1)	2202832	!
EXPLODED	Q6061	TR	2SA1962-O	1	2202833	!
EXPLODED	Q6061 or	TR	2SA1962-R	(1)	2202832	!
EXPLODED	Q6062	TR	2SA1962-O	1	2202833	!
EXPLODED	Q6062 or	TR	2SA1962-R	(1)	2202832	!
EXPLODED	Q6063	TR	2SA1962-O	1	2202833	!
EXPLODED	Q6063 or	TR	2SA1962-R	(1)	2202832	!
EXPLODED	Q6064	TR	2SA1962-O	1	2202833	!
EXPLODED	Q6064 or	TR	2SA1962-R	(1)	2202832	!
EXPLODED	Q6065	TR	2SA1962-O	1	2202833	!
EXPLODED	Q6065 or	TR	2SA1962-R	(1)	2202832	!
EXPLODED	Q6066	TR	2SA1962-O	1	2202833	!
EXPLODED	Q6066 or	TR	2SA1962-R	(1)	2202832	!
EXPLODED	<Note>					
EXPLODED	Must use the same HFE rank mutually about the following parts.					
EXPLODED	Ref. No. : Q6050 - 6056, Q6060 - Q6066					
EXPLODED	T901	P TRANS	NPT-1517D	1	2301803	!, <MDD, MDC>
EXPLODED	T901	P TRANS	NPT-1517P	1	2301804	!, <MPP>
EXPLODED	P101	FFC	NCFC7-132512	1	2047132512	
EXPLODED	P701	FFC	NCFC7-332512	1	2047332512	
EXPLODED	P901	AC CORD	AS-UC-2	1	253333VOL	!, <MDD, MDC>
EXPLODED	P901 or	AC CORD	AS-UC-2	(1)	253368AYUN	!, <MDD, MDC>
EXPLODED	P901 or	AC CORD	AS-UC-2	(1)	253368BLTK	!, <MDD, MDC>
EXPLODED	P901 or	AC CORD	AS-UC-2	(1)	253368HSN	!, <MDD, MDC>
EXPLODED	P901	AC CORD	AS-CEE-2	1	253306VOL	!, <MPP>
EXPLODED	P901 or	AC CORD	AS-CEE-2	(1)	253374YUN	!, <MPP>
EXPLODED	P6601A	P RIVET	JB-407A-C	14	880052	<MPP>
EXPLODED	F901	FUSE	8A-UL/T-233	1	252329GR	!, <MDD, MDC>
EXPLODED	F901 or	FUSE	8A-T/UL-ST2	(1)	252261GR	!, <MDD, MDC>

EXPLODED	F901	FUSE	4A-SE-EAK	1	252077GR	!, <MPP>
EXPLODED	F901 or	FUSE	4A-SE-TL250V	(1)	252277GR	!, <MPP>
EXPLODED	F901C	LABEL	T4AL250V	1	29361732A	<MPP>
EXPLODED	F6901	FUSE	10A-UL/T-233	1	252330GR	!
EXPLODED	F6901 or	FUSE	10A-T/UL-ST2	(1)	252333GR	!
EXPLODED	F6902	FUSE	10A-UL/T-233	1	252330GR	!
EXPLODED	F6902 or	FUSE	10A-T/UL-ST2	(1)	252333GR	!
EXPLODED	U01	AMPLIFIER PC board ass'y	NAAF-9419-1C*	1	1B211519-1C	<MDD, MDC>
EXPLODED	U01	AMPLIFIER PC board ass'y	NAAF-9419-1D*	1	1B211519-1D	<MPP>
EXPLODED	U02	TRANS. SEC TERMINAL PC board ass'y	NAPS-9420-1C	1	1B211520-1C	<MDD, MDC>
EXPLODED	U02	TRANS. SEC TERMINAL PC board ass'y	NAPS-9420-1D	1	1B211520-1D	<MPP>
EXPLODED	U03	THERMAL SENSOR PC board ass'y	NAETC-9421-1	1	---	NSP
EXPLODED	U04	HOLDER PC board	NAETC-9422-1	1	---	NSP
EXPLODED	U10	DISPLAY PC board ass'y	NADIS-9430-1D*	1	1B211530-1D	<MDD, MDC>
EXPLODED	U10	DISPLAY PC board ass'y	NADIS-9430-1E*	1	1B211530-1E	<MPP>
EXPLODED	U11	SWITCH PC board ass'y	NADIS-9431-1D	1	1B211531-1D	<MDD, MDC>
EXPLODED	U11	SWITCH PC board ass'y	NADIS-9431-1E	1	1B211531-1E	<MPP>
EXPLODED	U12	POWER SUPPLY PC board ass'y	NAPS-9432-1D	1	1B211532-1D	<MDD, MDC>
EXPLODED	U12	POWER SUPPLY PC board ass'y	NAPS-9432-1E	1	1B211532-1E	<MPP>
EXPLODED	U13	TRANS. SEC. TERMINAL PC board ass'y	NAPS-9433-1D	1	1B211533-1D	<MDD, MDC>
EXPLODED	U13	TRANS. SEC. TERMINAL PC board ass'y	NAPS-9433-1E	1	1B211533-1E	<MPP>
EXPLODED	U14	HEADPHONE JACK PC board ass'y	NAETC-9435-1	1	---	NSP
EXPLODED	U17	HOLDER PC board ass'y	NAETC-9441-1	1	---	NSP
EXPLODED	U30	MICROPROCESSOR PC board ass'y	NADG-9457-1F*	1	1B211557-1F	<MDD, MDC>
EXPLODED	U30	MICROPROCESSOR PC board ass'y	NADG-9457-1G*	1	1B211557-1G	<MPP>
EXPLODED	U31	SIRIUS PC board ass'y	NARF-9458-1F	1	1B211558-1F	<MDD, MDC>
EXPLODED	U36	VIDEO PC board ass'y	NAVD-9467-1E*	1	1B211567-1E	<MDD, MDC>
EXPLODED	U36	VIDEO PC board ass'y	NAVD-9467-1F*	1	1B211567-1F	<MPP>
EXPLODED	U37	SPEAKER TERMINAL PC board ass'y	NATRM-9468-1E	1	1B211568-1E	<MDD, MDC>
EXPLODED	U37	SPEAKER TERMINAL PC board ass'y	NATRM-9468-1F	1	1B211568-1F	<MPP>
EXPLODED	U42	HDMI PC board ass'y	NAHDM-9475-1A*	1	1B211575-1A	
EXPLODED	U45	TUNER UNIT	ENG06507QFUS	1	240156	<MDD, MDC>
EXPLODED	U45 or	TUNER UNIT	FAE385-A11US	(1)	240152	<MDD, MDC>

EXPLODED	U45	TUNER UNIT	ENG07505QFEU	1	240158	<MPP>
EXPLODED	U45 or	TUNER UNIT	FAE485-E11EU	(1)	240154	<MPP>

HT-R560

PC BOARD PARTS LIST

PCB1	U01	AMPLIFIER PC BOARD (NAAF-9419-1C / 1D)
PCB1	U02	TRANS. SEC. TERMINAL PC BOARD (NAPS-9420-1C / 1D)
PCB1	U03	THERMAL SENSOR PC BOARD (NAETC-9421-1C / 1D)

CIRCUIT NO.	PART NAME	DESCRIPTION	Q'TY	PART NO. (SN)	REMARKS
PCB1	Q5000	TR	1	2211406T	
PCB1	Q5001	TR	1	2211406T	
PCB1	Q5002	TR	1	2211406T	
PCB1	Q5003	TR	1	2211406T	
PCB1	Q5004	TR	1	2211406T	
PCB1	Q5005	TR	1	2211406T	
PCB1	Q5006	TR	1	2211406T	
PCB1	Q5010	TR	1	2211406T	
PCB1	Q5011	TR	1	2211406T	
PCB1	Q5012	TR	1	2211406T	
PCB1	Q5013	TR	1	2211406T	
PCB1	Q5014	TR	1	2211406T	
PCB1	Q5015	TR	1	2211406T	
PCB1	Q5016	TR	1	2211406T	
PCB1	Q5030	TR	1	2211354T	
PCB1	Q5031	TR	1	2211354T	
PCB1	Q5032	TR	1	2211354T	
PCB1	Q5033	TR	1	2211354T	
PCB1	Q5034	TR	1	2211354T	
PCB1	Q5035	TR	1	2211354T	
PCB1	Q5036	TR	1	2211354T	
PCB1	Q5040	TR	1	2211634T	

PCB1	Q5041	TR	2SC2229-Y(TPE6_F)	1	2211634T
PCB1	Q5042	TR	2SC2229-Y(TPE6_F)	1	2211634T
PCB1	Q5043	TR	2SC2229-Y(TPE6_F)	1	2211634T
PCB1	Q5044	TR	2SC2229-Y(TPE6_F)	1	2211634T
PCB1	Q5045	TR	2SC2229-Y(TPE6_F)	1	2211634T
PCB1	Q5046	TR	2SC2229-Y(TPE6_F)	1	2211634T
PCB1	Q5050	TR	2SC2240-BL(TPE2_F)	1	2211406T
PCB1	Q5051	TR	2SC2240-BL(TPE2_F)	1	2211406T
PCB1	Q5052	TR	2SC2240-BL(TPE2_F)	1	2211406T
PCB1	Q5053	TR	2SC2240-BL(TPE2_F)	1	2211406T
PCB1	Q5054	TR	2SC2240-BL(TPE2_F)	1	2211406T
PCB1	Q5055	TR	2SC2240-BL(TPE2_F)	1	2211406T
PCB1	Q5056	TR	2SC2240-BL(TPE2_F)	1	2211406T
PCB1	Q5501	IC	R2S15211FP	1	22242297R3
PCB1	Q5503	IC	NJM4580M-D	1	22241448R2
PCB1	Q5600	TR	RN1441	1	2215410R2
PCB1	Q5601	TR	RN1441	1	2215410R2
PCB1	Q5602	TR	RN1441	1	2215410R2
PCB1	Q5603	TR	RN1441	1	2215410R2
PCB1	Q5604	TR	RN1441	1	2215410R2
PCB1	Q5605	TR	RN1441	1	2215410R2
PCB1	Q5606	TR	RN1441	1	2215410R2
PCB1	Q5607	TR	RN1441	1	2215410R2
PCB1	Q5610	TR	RN1441	1	2215410R2
PCB1	Q5630	IC	NJM4580M-D	1	22241448R2
PCB1	Q5670	IC	78M15HF(NJM78M15FA)	1	222780155JRC
PCB1	Q5670 or	IC	UPC78M15AHF-AZ	(1)	222780155NEC
PCB1	Q5670A	HEAT-SINK	HEAT-SINK(RAD-68)	1	27160211
PCB1	Q5670B	SCREW	3P+10FN(3BC)	1	82143010GR
PCB1	Q5671	IC	79M15HF(NJM79M15FA)	1	222790155JRC
PCB1	Q5671 or	IC	UPC79M15HF-AZ	(1)	222790155NEC
PCB1	Q5671A	HEAT-SINK	HEAT-SINK(RAD-68)	1	27160211
PCB1	Q5671B	SCREW	3P+10FN(3BC)	1	82143010GR

PCB1	Q6000	TR	2SC1740S-S	1	2213285T
PCB1	Q6001	TR	2SC1740S-S	1	2213285T
PCB1	Q6002	TR	2SC1740S-S	1	2213285T
PCB1	Q6003	TR	2SC1740S-S	1	2213285T
PCB1	Q6004	TR	2SC1740S-S	1	2213285T
PCB1	Q6005	TR	2SC1740S-S	1	2213285T
PCB1	Q6006	TR	2SC1740S-S	1	2213285T
PCB1	Q6010	TR	2SC1740S-S	1	2213285T
PCB1	Q6011	TR	2SC1740S-S	1	2213285T
PCB1	Q6012	TR	2SC1740S-S	1	2213285T
PCB1	Q6013	TR	2SC1740S-S	1	2213285T
PCB1	Q6014	TR	2SC1740S-S	1	2213285T
PCB1	Q6015	TR	2SC1740S-S	1	2213285T
PCB1	Q6016	TR	2SC1740S-S	1	2213285T
PCB1	Q6030	TR	2SC5171(ONK_Q)	1	2203010
PCB1	Q6030 or	TR	2SC5993-Q_P	(1)	2217161
PCB1	Q6031	TR	2SC5171(ONK_Q)	1	2203010
PCB1	Q6031 or	TR	2SC5993-Q_P	(1)	2217161
PCB1	Q6032	TR	2SC5171(ONK_Q)	1	2203010
PCB1	Q6032 or	TR	2SC5993-Q_P	(1)	2217161
PCB1	Q6033	TR	2SC5171(ONK_Q)	1	2203010
PCB1	Q6033 or	TR	2SC5993-Q_P	(1)	2217161
PCB1	Q6034	TR	2SC5171(ONK_Q)	1	2203010
PCB1	Q6034 or	TR	2SC5993-Q_P	(1)	2217161
PCB1	Q6035	TR	2SC5171(ONK_Q)	1	2203010
PCB1	Q6035 or	TR	2SC5993-Q_P	(1)	2217161
PCB1	Q6036	TR	2SC5171(ONK_Q)	1	2203010
PCB1	Q6036 or	TR	2SC5993-Q_P	(1)	2217161
PCB1	Q6040	TR	2SA1930(ONK_Q)	1	2203000
PCB1	Q6040 or	TR	2SA2140-Q_P	(1)	2217151
PCB1	Q6041	TR	2SA1930(ONK_Q)	1	2203000
PCB1	Q6041 or	TR	2SA2140-Q_P	(1)	2217151
PCB1	Q6042	TR	2SA1930(ONK_Q)	1	2203000

PCB1	Q6042 or	TR	2SA2140-Q_P	(1)	2217151
PCB1	Q6043	TR	2SA1930(ONK_Q)	1	2203000
PCB1	Q6043 or	TR	2SA2140-Q_P	(1)	2217151
PCB1	Q6044	TR	2SA1930(ONK_Q)	1	2203000
PCB1	Q6044 or	TR	2SA2140-Q_P	(1)	2217151
PCB1	Q6045	TR	2SA1930(ONK_Q)	1	2203000
PCB1	Q6045 or	TR	2SA2140-Q_P	(1)	2217151
PCB1	Q6046	TR	2SA1930(ONK_Q)	1	2203000
PCB1	Q6046 or	TR	2SA2140-Q_P	(1)	2217151
PCB1	Q6070	TR	2SC2240-BL(TPE2_F)	1	2211406T
PCB1	Q6070 or	TR	2SC2240-GR	(1)	2211405T
PCB1	Q6071	TR	2SC2240-BL(TPE2_F)	1	2211406T
PCB1	Q6071 or	TR	2SC2240-GR	(1)	2211405T
PCB1	Q6072	TR	2SC2240-BL(TPE2_F)	1	2211406T
PCB1	Q6072 or	TR	2SC2240-GR	(1)	2211405T
PCB1	Q6073	TR	2SC2240-BL(TPE2_F)	1	2211406T
PCB1	Q6073 or	TR	2SC2240-GR	(1)	2211405T
PCB1	Q6074	TR	2SC2240-BL(TPE2_F)	1	2211406T
PCB1	Q6074 or	TR	2SC2240-GR	(1)	2211405T
PCB1	Q6075	TR	2SC2240-BL(TPE2_F)	1	2211406T
PCB1	Q6075 or	TR	2SC2240-GR	(1)	2211405T
PCB1	Q6076	TR	2SC2240-BL(TPE2_F)	1	2211406T
PCB1	Q6076 or	TR	2SC2240-GR	(1)	2211405T
PCB1	Q6380	IC	LM61CIZ	1	22242212
PCB1	Q6380A	RETAINER	(PTH)	1	27141884-1
PCB1	Q6701	TR	2SC2712-GR	1	2213145R2
PCB1	Q6701 or	TR	KTC3875-GR	(1)	2216175R2
PCB1	Q6702	TR	2SC2712-GR	1	2213145R2
PCB1	Q6702 or	TR	KTC3875-GR	(1)	2216175R2
PCB1	Q6703	TR	2SA1163-BL(TE85L_F)	1	2216756R2
PCB1	Q6707	TR	2SC2712-GR	1	2213145R2
PCB1	Q6707 or	TR	KTC3875-GR	(1)	2216175R2
PCB1	D5000	ZENER D	MTZJ5.6B	1	224470562T

PCB1	D5001	ZENER D	MTZJ5.6B	1	224470562T
PCB1	D5002	ZENER D	MTZJ5.6B	1	224470562T
PCB1	D5003	ZENER D	MTZJ5.6B	1	224470562T
PCB1	D5004	ZENER D	MTZJ5.6B	1	224470562T
PCB1	D5005	ZENER D	MTZJ5.6B	1	224470562T
PCB1	D5006	ZENER D	MTZJ5.6B	1	224470562T
PCB1	D5671	ZENER D	MTZJ6.2B	1	224470622T
PCB1	D5672	ZENER D	MTZJ6.2B	1	224470622T
PCB1	D5673	DIODE	1SS133	1	223163T
PCB1	D5674	DIODE	1SS133	1	223163T
PCB1	D5704	C-DIODE	KDS4148U	1	223283R2
PCB1	D5704 or	C-DIODE	1SS352	(1)	223234R2
PCB1	D5704 or	C-DIODE	MA2J111	(1)	223279R2
PCB1	D5705	C-DIODE	KDS4148U	1	223283R2
PCB1	D5705 or	C-DIODE	1SS352	(1)	223234R2
PCB1	D5705 or	C-DIODE	MA2J111	(1)	223279R2
PCB1	D5706	C-DIODE	KDS4148U	1	223283R2
PCB1	D5706 or	C-DIODE	1SS352	(1)	223234R2
PCB1	D5706 or	C-DIODE	MA2J111	(1)	223279R2
PCB1	D5708	C-DIODE	KDS4148U	1	223283R2
PCB1	D5708 or	C-DIODE	1SS352	(1)	223234R2
PCB1	D5708 or	C-DIODE	MA2J111	(1)	223279R2
PCB1	D5709	DIODE	RL1N4003	1	22380260T
PCB1	D5714	C-DIODE	KDS4148U	1	223283R2
PCB1	D5714 or	C-DIODE	1SS352	(1)	223234R2
PCB1	D5714 or	C-DIODE	MA2J111	(1)	223279R2
PCB1	D5715	C-DIODE	KDS4148U	1	223283R2
PCB1	D5715 or	C-DIODE	1SS352	(1)	223234R2
PCB1	D5715 or	C-DIODE	MA2J111	(1)	223279R2
PCB1	D5716	C-DIODE	KDS4148U	1	223283R2
PCB1	D5716 or	C-DIODE	1SS352	(1)	223234R2
PCB1	D5716 or	C-DIODE	MA2J111	(1)	223279R2
PCB1	D5718	C-DIODE	KDS4148U	1	223283R2

PCB1	D5718 or	C-DIODE	1SS352	(1)	223234R2
PCB1	D5718 or	C-DIODE	MA2J111	(1)	223279R2
PCB1	D5719	DIODE	RL1N4003	1	22380260T
PCB1	D6000	C-DIODE	KDS4148U	1	223283R2
PCB1	D6000 or	C-DIODE	1SS352	(1)	223234R2
PCB1	D6000 or	C-DIODE	MA2J111	(1)	223279R2
PCB1	D6001	C-DIODE	KDS4148U	1	223283R2
PCB1	D6001 or	C-DIODE	1SS352	(1)	223234R2
PCB1	D6001 or	C-DIODE	MA2J111	(1)	223279R2
PCB1	D6002	C-DIODE	KDS4148U	1	223283R2
PCB1	D6002 or	C-DIODE	1SS352	(1)	223234R2
PCB1	D6002 or	C-DIODE	MA2J111	(1)	223279R2
PCB1	D6003	C-DIODE	KDS4148U	1	223283R2
PCB1	D6003 or	C-DIODE	1SS352	(1)	223234R2
PCB1	D6003 or	C-DIODE	MA2J111	(1)	223279R2
PCB1	D6004	C-DIODE	KDS4148U	1	223283R2
PCB1	D6004 or	C-DIODE	1SS352	(1)	223234R2
PCB1	D6004 or	C-DIODE	MA2J111	(1)	223279R2
PCB1	D6005	C-DIODE	KDS4148U	1	223283R2
PCB1	D6005 or	C-DIODE	1SS352	(1)	223234R2
PCB1	D6005 or	C-DIODE	MA2J111	(1)	223279R2
PCB1	D6006	C-DIODE	KDS4148U	1	223283R2
PCB1	D6006 or	C-DIODE	1SS352	(1)	223234R2
PCB1	D6006 or	C-DIODE	MA2J111	(1)	223279R2
PCB1	D6010	C-DIODE	KDS4148U	1	223283R2
PCB1	D6010 or	C-DIODE	1SS352	(1)	223234R2
PCB1	D6010 or	C-DIODE	MA2J111	(1)	223279R2
PCB1	D6011	C-DIODE	KDS4148U	1	223283R2
PCB1	D6011 or	C-DIODE	1SS352	(1)	223234R2
PCB1	D6011 or	C-DIODE	MA2J111	(1)	223279R2
PCB1	D6012	C-DIODE	KDS4148U	1	223283R2
PCB1	D6012 or	C-DIODE	1SS352	(1)	223234R2
PCB1	D6012 or	C-DIODE	MA2J111	(1)	223279R2

PCB1	D6013	C-DIODE	KDS4148U	1	223283R2
PCB1	D6013 or	C-DIODE	1SS352	(1)	223234R2
PCB1	D6013 or	C-DIODE	MA2J111	(1)	223279R2
PCB1	D6014	C-DIODE	KDS4148U	1	223283R2
PCB1	D6014 or	C-DIODE	1SS352	(1)	223234R2
PCB1	D6014 or	C-DIODE	MA2J111	(1)	223279R2
PCB1	D6015	C-DIODE	KDS4148U	1	223283R2
PCB1	D6015 or	C-DIODE	1SS352	(1)	223234R2
PCB1	D6015 or	C-DIODE	MA2J111	(1)	223279R2
PCB1	D6016	C-DIODE	KDS4148U	1	223283R2
PCB1	D6016 or	C-DIODE	1SS352	(1)	223234R2
PCB1	D6016 or	C-DIODE	MA2J111	(1)	223279R2
PCB1	D6701	C-DIODE	KDS4148U	1	223283R2
PCB1	D6701 or	C-DIODE	1SS352	(1)	223234R2
PCB1	D6701 or	C-DIODE	MA2J111	(1)	223279R2
PCB1	D6702	C-DIODE	KDS4148U	1	223283R2
PCB1	D6702 or	C-DIODE	1SS352	(1)	223234R2
PCB1	D6702 or	C-DIODE	MA2J111	(1)	223279R2
PCB1	D6703	ZENER D	UDZ3.3B	1	224490330R2
PCB1	D6703 or	ZENER D	UDZS3.3B	(1)	224550330R2
PCB1	D6704	ZENER D	UDZ3.3B	1	224490330R2
PCB1	D6704 or	ZENER D	UDZS3.3B	(1)	224550330R2
PCB1	D6901	DIODE	D10XB60H	1	22380337
PCB1	D6901A	HEAT SINK	RAD-196	1	27160545
PCB1	D6901C	SCREW	3P+10FN(3BC)	2	82143010GR
PCB1	D6902	C-DIODE	KDS4148U	1	223283R2
PCB1	D6902 or	C-DIODE	1SS352	(1)	223234R2
PCB1	D6902 or	C-DIODE	MA2J111	(1)	223279R2
PCB1	D6903	DIODE	D10XB60H	1	22380337
PCB1	D9001	DIODE	RL1N4003	1	22380260T
PCB1	D9002	DIODE	RL1N4003	1	22380260T
PCB1	D9003	DIODE	RL1N4003	1	22380260T
PCB1	D9004	DIODE	RL1N4003	1	22380260T

PCB1	C5000	TF C	ECQ-B50V-221K	1	374722215T
PCB1	C5001	TF C	ECQ-B50V-221K	1	374722215T
PCB1	C5002	TF C	ECQ-B50V-221K	1	374722215T
PCB1	C5003	TF C	ECQ-B50V-221K	1	374722215T
PCB1	C5004	TF C	ECQ-B50V-221K	1	374722215T
PCB1	C5005	TF C	ECQ-B50V-221K	1	374722215T
PCB1	C5006	TF C	ECQ-B50V-221K	1	374722215T
PCB1	C5010	UTSP C	CE04W50V 47M(UTSP)	1	397584707T
PCB1	C5011	UTSP C	CE04W50V 47M(UTSP)	1	397584707T
PCB1	C5012	UTSP C	CE04W50V 47M(UTSP)	1	397584707T
PCB1	C5013	UTSP C	CE04W50V 47M(UTSP)	1	397584707T
PCB1	C5014	UTSP C	CE04W50V 47M(UTSP)	1	397584707T
PCB1	C5015	UTSP C	CE04W50V 47M(UTSP)	1	397584707T
PCB1	C5016	UTSP C	CE04W50V 47M(UTSP)	1	397584707T
PCB1	C5020	UTSP C	CE04W50V-10M(UTSP)	1	397581007T
PCB1	C5021	UTSP C	CE04W50V-10M(UTSP)	1	397581007T
PCB1	C5022	UTSP C	CE04W50V-10M(UTSP)	1	397581007T
PCB1	C5023	UTSP C	CE04W50V-10M(UTSP)	1	397581007T
PCB1	C5024	UTSP C	CE04W50V-10M(UTSP)	1	397581007T
PCB1	C5025	UTSP C	CE04W50V-10M(UTSP)	1	397581007T
PCB1	C5026	UTSP C	CE04W50V-10M(UTSP)	1	397581007T
PCB1	C5040	UTSP C	CE04W25V-220M(UTSP)	1	397552217T
PCB1	C5041	UTSP C	CE04W25V-220M(UTSP)	1	397552217T
PCB1	C5042	UTSP C	CE04W25V-220M(UTSP)	1	397552217T
PCB1	C5043	UTSP C	CE04W25V-220M(UTSP)	1	397552217T
PCB1	C5044	UTSP C	CE04W25V-220M(UTSP)	1	397552217T
PCB1	C5045	UTSP C	CE04W25V-220M(UTSP)	1	397552217T
PCB1	C5046	UTSP C	CE04W25V-220M(UTSP)	1	397552217T
PCB1	C5050	UTSP C	CE04W50V 47M(UTSP)	1	397584707T
PCB1	C5051	UTSP C	CE04W50V 47M(UTSP)	1	397584707T
PCB1	C5052	UTSP C	CE04W50V 47M(UTSP)	1	397584707T
PCB1	C5053	UTSP C	CE04W50V 47M(UTSP)	1	397584707T
PCB1	C5054	UTSP C	CE04W50V 47M(UTSP)	1	397584707T

PCB1	C5055	UTSP C	CE04W50V 47M(UTSP)	1	397584707T
PCB1	C5056	UTSP C	CE04W50V 47M(UTSP)	1	397584707T
PCB1	C5080	CERA C	CC45SL50V-040C	1	345020401T
PCB1	C5081	CERA C	CC45SL50V-040C	1	345020401T
PCB1	C5082	CERA C	CC45SL50V-040C	1	345020401T
PCB1	C5083	CERA C	CC45SL50V-040C	1	345020401T
PCB1	C5084	CERA C	CC45SL50V-040C	1	345020401T
PCB1	C5085	CERA C	CC45SL50V-040C	1	345020401T
PCB1	C5086	CERA C	CC45SL50V-040C	1	345020401T
PCB1	C5090	TF C	ECQ-B50V-101K	1	374721015T
PCB1	C5091	TF C	ECQ-B50V-101K	1	374721015T
PCB1	C5092	TF C	ECQ-B50V-101K	1	374721015T
PCB1	C5093	TF C	ECQ-B50V-101K	1	374721015T
PCB1	C5094	TF C	ECQ-B50V-101K	1	374721015T
PCB1	C5095	TF C	ECQ-B50V-101K	1	374721015T
PCB1	C5096	TF C	ECQ-B50V-101K	1	374721015T
PCB1	C5100	VR C	CE04W100V-22M(VR)	1	394692207T
PCB1	C5101	VR C	CE04W100V-22M(VR)	1	394692207T
PCB1	C5102	VR C	CE04W100V-22M(VR)	1	394692207T
PCB1	C5103	VR C	CE04W100V-22M(VR)	1	394692207T
PCB1	C5104	VR C	CE04W100V-22M(VR)	1	394692207T
PCB1	C5105	VR C	CE04W100V-22M(VR)	1	394692207T
PCB1	C5106	VR C	CE04W100V-22M(VR)	1	394692207T
PCB1	C5110	VR C	CE04W100V-22M(VR)	1	394692207T
PCB1	C5111	VR C	CE04W100V-22M(VR)	1	394692207T
PCB1	C5112	VR C	CE04W100V-22M(VR)	1	394692207T
PCB1	C5113	VR C	CE04W100V-22M(VR)	1	394692207T
PCB1	C5114	VR C	CE04W100V-22M(VR)	1	394692207T
PCB1	C5115	VR C	CE04W100V-22M(VR)	1	394692207T
PCB1	C5116	VR C	CE04W100V-22M(VR)	1	394692207T
PCB1	C5503	TF C	ECQ-B50V-221K	1	374722215T
PCB1	C5504	TF C	ECQ-B50V-221K	1	374722215T
PCB1	C5507	C-CERA C	CC725CH1H-221J1	1	342102214R1

PCB1	C5508	C-CERA C	CC725CH1H-221J1	1	342102214R1
PCB1	C5513	C-CERA C	CC725CH1H-221J1	1	342102214R1
PCB1	C5514	C-CERA C	CC725CH1H-221J1	1	342102214R1
PCB1	C5517	C-CERA C	CC725CH1H-221J1	1	342102214R1
PCB1	C5518	C-CERA C	CC725CH1H-221J1	1	342102214R1
PCB1	C5519	TF C	ECQ-B50V-221K	1	374722215T
PCB1	C5520	TF C	ECQ-B50V-221K	1	374722215T
PCB1	C5521	C-CERA C	CC725CH1H-221J1	1	342102214R1
PCB1	C5522	C-CERA C	CC725CH1H-221J1	1	342102214R1
PCB1	C5523	C-CERA C	CC725CH1H-221J1	1	342102214R1
PCB1	C5524	TF C	ECQ-B50V-221K	1	374722215T
PCB1	C5525	C-CERA C	CC725CH1H-221J1	1	342102214R1
PCB1	C5526	C-CERA C	CC725CH1H-221J1	1	342102214R1
PCB1	C5531	C-CERA C	CC725CH1H-221J1	1	342102214R1
PCB1	C5551	UTSP C	CE04W25V-47M(UTSP)	1	397554707T
PCB1	C5552	UTSP C	CE04W25V-47M(UTSP)	1	397554707T
PCB1	C5553	UTSP C	CE04W25V-47M(UTSP)	1	397554707T
PCB1	C5554	UTSP C	CE04W25V-47M(UTSP)	1	397554707T
PCB1	C5555	UTSP C	CE04W25V-47M(UTSP)	1	397554707T
PCB1	C5556	UTSP C	CE04W25V-47M(UTSP)	1	397554707T
PCB1	C5557	UTSP C	CE04W25V-47M(UTSP)	1	397554707T
PCB1	C5558	UTSP C	CE04W25V-47M(UTSP)	1	397554707T
PCB1	C5559	TF C	ECQ-V50V-474J	1	374724744T
PCB1	C5560	TF C	ECQ-V50V-823J	1	374728234T
PCB1	C5561	TF C	ECQ-B50V-223J	1	374722234T
PCB1	C5562	TF C	ECQ-V50V-474J	1	374724744T
PCB1	C5563	TF C	ECQ-V50V-823J	1	374728234T
PCB1	C5564	TF C	ECQ-B50V-223J	1	374722234T
PCB1	C5565	UTSP C	CE04W25V-47M(UTSP)	1	397554707T
PCB1	C5566	UTSP C	CE04W25V-47M(UTSP)	1	397554707T
PCB1	C5569	UTSP C	CE04W25V-47M(UTSP)	1	397554707T
PCB1	C5570	UTSP C	CE04W25V-47M(UTSP)	1	397554707T
PCB1	C5571	UTSP C	CE04W25V-47M(UTSP)	1	397554707T

PCB1	C5572	UTSP C	CE04W25V-47M(UTSP)	1	397554707T
PCB1	C5573	UTSP C	CE04W25V-47M(UTSP)	1	397554707T
PCB1	C5574	UTSP C	CE04W25V-47M(UTSP)	1	397554707T
PCB1	C5575	UTSP C	CE04W25V-47M(UTSP)	1	397554707T
PCB1	C5576	UTSP C	CE04W25V-47M(UTSP)	1	397554707T
PCB1	C5590	C-CERA C	CC725CH1H-330J1	1	342103304R1
PCB1	C5591	C-CERA C	CC725CH1H-330J1	1	342103304R1
PCB1	C5600	UTSP C	CE04W25V-100M(UTSP)	1	397551017T
PCB1	C5601	UTSP C	CE04W25V-47M(UTSP)	1	397554707T
PCB1	C5602	UTSP C	CE04W25V-47M(UTSP)	1	397554707T
PCB1	C5603	UTSP C	CE04W25V-47M(UTSP)	1	397554707T
PCB1	C5604	UTSP C	CE04W25V-47M(UTSP)	1	397554707T
PCB1	C5605	UTSP C	CE04W25V-47M(UTSP)	1	397554707T
PCB1	C5606	UTSP C	CE04W25V-47M(UTSP)	1	397554707T
PCB1	C5607	UTSP C	CE04W25V-47M(UTSP)	1	397554707T
PCB1	C5630	UTSP C	CE04W25V-47M(UTSP)	1	397554707T
PCB1	C5631	C-CERA C	CC725CH1H-221J1	1	342102214R1
PCB1	C5632	TF C	ECQ-B50V-103J	1	374721034T
PCB1	C5666	UTSP C	CE04W25V-220M(UTSP)	1	397552217T
PCB1	C5667	UTSP C	CE04W25V-220M(UTSP)	1	397552217T
PCB1	C5670	UTSP C	CE04W50V-10M(UTSP)	1	397581007T
PCB1	C5671	UTSP C	CE04W50V-10M(UTSP)	1	397581007T
PCB1	C5672	UTSP C	CE04W25V-220M(UTSP)	1	397552217T
PCB1	C5673	UTSP C	CE04W25V-220M(UTSP)	1	397552217T
PCB1	C5674	UTSP C	CE04W16V-470M(UTSP)	1	397544717T
PCB1	C5675	UTSP C	CE04W16V-470M(UTSP)	1	397544717T
PCB1	C5704	C-CERA C	CC725CH1H-221J1	1	342102214R1
PCB1	C5705	C-CERA C	CC725CH1H-221J1	1	342102214R1
PCB1	C5706	C-CERA C	CC725CH1H-221J1	1	342102214R1
PCB1	C5708	C-CERA C	CK725B1H-103K1	1	332101035R1
PCB1	C5709	UTSP C	CE04W25V-47M(UTSP)	1	397554707T
PCB1	C5710	UTSP C	CE04W25V-47M(UTSP)	1	397554707T
PCB1	C6030	TF C	ECQ-V50V-473J	1	374724734T

PCB1	C6031	TF C	ECQ-V50V-473J	1	374724734T	
PCB1	C6032	TF C	ECQ-V50V-473J	1	374724734T	
PCB1	C6033	TF C	ECQ-V50V-473J	1	374724734T	
PCB1	C6034	TF C	ECQ-V50V-473J	1	374724734T	
PCB1	C6035	TF C	ECQ-V50V-473J	1	374724734T	
PCB1	C6036	TF C	ECQ-V50V-473J	1	374724734T	
PCB1	C6040	UTSP C	CE04W50V 47M(UTSP)	1	397584707T	
PCB1	C6041	UTSP C	CE04W50V 47M(UTSP)	1	397584707T	
PCB1	C6042	UTSP C	CE04W50V 47M(UTSP)	1	397584707T	
PCB1	C6043	UTSP C	CE04W50V 47M(UTSP)	1	397584707T	
PCB1	C6044	UTSP C	CE04W50V 47M(UTSP)	1	397584707T	
PCB1	C6045	UTSP C	CE04W50V 47M(UTSP)	1	397584707T	
PCB1	C6046	UTSP C	CE04W50V 47M(UTSP)	1	397584707T	
PCB1	C6050	TF C	ECQ-B50V-103J	1	374721034T	
PCB1	C6051	TF C	ECQ-B50V-103J	1	374721034T	
PCB1	C6052	TF C	ECQ-B50V-103J	1	374721034T	
PCB1	C6053	TF C	ECQ-B50V-103J	1	374721034T	
PCB1	C6054	TF C	ECQ-B50V-103J	1	374721034T	
PCB1	C6055	TF C	ECQ-B50V-103J	1	374721034T	
PCB1	C6056	TF C	ECQ-B50V-103J	1	374721034T	
PCB1	C6076	TF C	ECQ-B50V-102J	1	374721024T	<MPP>
PCB1	C6077	TF C	ECQ-B50V-102J	1	374721024T	<MPP>
PCB1	C6086	TF C	ECQ-B50V-103J	1	374721034T	<MPP>
PCB1	C6087	TF C	ECQ-B50V-103J	1	374721034T	<MPP>
PCB1	C6630	C-CERA C	CK725F1E-104Z1	1	332161040R1	
PCB1	C6701	UTSP C	CE04W25V-100M(UTSP)	1	397551017T	
PCB1	C6703	C-CERA C	CK725F1H-104Z1	1	332151040R1	
PCB1	C6704	UTSP C	CE04W50V-1M(UTSP)	1	397580107T	
PCB1	C6706	UTSP C	CE04W50V-10M(UTSP)	1	397581007T	
PCB1	C6901	ELECT C	CE69W69V-10000MA	1	3504425	
PCB1	C6901A	IB CUSHION	W15 x 3t TAPE	1	28141585	
PCB1	C6902	ELECT C	CE69W69V-10000MA	1	3504425	
PCB1	C6902A	IB CUSHION	W15 x 3t TAPE	1	28141585	

PCB1	C6911	C-CERA C	CC725CH1H-102J1	1	342101024R1
PCB1	C6912	TF C	ECQ-V50V-334J	1	374723344T
PCB1	C6913	TF C	ECQ-V50V-334J	1	374723344T
PCB1	C6915	TF C	ECQ-V50V-104J	1	374721044T
PCB1	C6916	TF C	ECQ-V50V-104J	1	374721044T
PCB1	C9001	MMT C	MMT50V-334J	1	375523344T
PCB1	C9003	VR C	CE04W35V-1000M(VR)	1	394661027S
PCB1	C9004	VR C	CE04W35V-470M(VR)	1	394664717T
PCB1	R5000	CARBON R	R16J-1K	1	417341024T
PCB1	R5001	CARBON R	R16J-1K	1	417341024T
PCB1	R5002	CARBON R	R16J-1K	1	417341024T
PCB1	R5003	CARBON R	R16J-1K	1	417341024T
PCB1	R5004	CARBON R	R16J-1K	1	417341024T
PCB1	R5005	CARBON R	R16J-1K	1	417341024T
PCB1	R5006	CARBON R	R16J-1K	1	417341024T
PCB1	R5010	CARBON R	R16J-56K	1	417345634T
PCB1	R5011	CARBON R	R16J-56K	1	417345634T
PCB1	R5012	CARBON R	R16J-56K	1	417345634T
PCB1	R5013	CARBON R	R16J-56K	1	417345634T
PCB1	R5014	CARBON R	R16J-56K	1	417345634T
PCB1	R5015	CARBON R	R16J-56K	1	417345634T
PCB1	R5016	CARBON R	R16J-56K	1	417345634T
PCB1	R5020	CARBON R	R16J-330	1	417343314T
PCB1	R5021	CARBON R	R16J-330	1	417343314T
PCB1	R5022	CARBON R	R16J-330	1	417343314T
PCB1	R5023	CARBON R	R16J-330	1	417343314T
PCB1	R5024	CARBON R	R16J-330	1	417343314T
PCB1	R5025	CARBON R	R16J-330	1	417343314T
PCB1	R5026	CARBON R	R16J-330	1	417343314T
PCB1	R5030	CARBON R	R16J-120K	1	417341244T
PCB1	R5031	CARBON R	R16J-120K	1	417341244T
PCB1	R5032	CARBON R	R16J-120K	1	417341244T
PCB1	R5033	CARBON R	R16J-120K	1	417341244T

PCB1	R5034	CARBON R	R16J-120K	1	417341244T
PCB1	R5035	CARBON R	R16J-120K	1	417341244T
PCB1	R5036	CARBON R	R16J-120K	1	417341244T
PCB1	R5040	CARBON R	R16J-2.2K	1	417342224T
PCB1	R5041	CARBON R	R16J-2.2K	1	417342224T
PCB1	R5042	CARBON R	R16J-2.2K	1	417342224T
PCB1	R5043	CARBON R	R16J-2.2K	1	417342224T
PCB1	R5044	CARBON R	R16J-2.2K	1	417342224T
PCB1	R5045	CARBON R	R16J-2.2K	1	417342224T
PCB1	R5046	CARBON R	R16J-2.2K	1	417342224T
PCB1	R5050	CARBON R	R16J-4.7K	1	417344724T
PCB1	R5051	CARBON R	R16J-4.7K	1	417344724T
PCB1	R5052	CARBON R	R16J-4.7K	1	417344724T
PCB1	R5053	CARBON R	R16J-4.7K	1	417344724T
PCB1	R5054	CARBON R	R16J-4.7K	1	417344724T
PCB1	R5055	CARBON R	R16J-4.7K	1	417344724T
PCB1	R5056	CARBON R	R16J-4.7K	1	417344724T
PCB1	R5060	CARBON R	R16J-1.2K	1	417341224T
PCB1	R5061	CARBON R	R16J-1.2K	1	417341224T
PCB1	R5062	CARBON R	R16J-1.2K	1	417341224T
PCB1	R5063	CARBON R	R16J-1.2K	1	417341224T
PCB1	R5064	CARBON R	R16J-1.2K	1	417341224T
PCB1	R5065	CARBON R	R16J-1.2K	1	417341224T
PCB1	R5066	CARBON R	R16J-1.2K	1	417341224T
PCB1	R5080	CARBON R	R16J-470	1	417344714T
PCB1	R5081	CARBON R	R16J-470	1	417344714T
PCB1	R5082	CARBON R	R16J-470	1	417344714T
PCB1	R5083	CARBON R	R16J-470	1	417344714T
PCB1	R5084	CARBON R	R16J-470	1	417344714T
PCB1	R5085	CARBON R	R16J-470	1	417344714T
PCB1	R5086	CARBON R	R16J-470	1	417344714T
PCB1	R5090	CARBON R	R16J-100K	1	417341044T
PCB1	R5091	CARBON R	R16J-100K	1	417341044T

PCB1	R5092	CARBON R	R16J-100K	1	417341044T
PCB1	R5093	CARBON R	R16J-100K	1	417341044T
PCB1	R5094	CARBON R	R16J-100K	1	417341044T
PCB1	R5095	CARBON R	R16J-100K	1	417341044T
PCB1	R5096	CARBON R	R16J-100K	1	417341044T
PCB1	R5100	CARBON R	R16J-100K	1	417341044T
PCB1	R5101	CARBON R	R16J-100K	1	417341044T
PCB1	R5102	CARBON R	R16J-100K	1	417341044T
PCB1	R5103	CARBON R	R16J-100K	1	417341044T
PCB1	R5104	CARBON R	R16J-100K	1	417341044T
PCB1	R5105	CARBON R	R16J-100K	1	417341044T
PCB1	R5106	CARBON R	R16J-100K	1	417341044T
PCB1	R5110	CARBON R	R16J-1K	1	417341024T
PCB1	R5111	CARBON R	R16J-1K	1	417341024T
PCB1	R5112	CARBON R	R16J-1K	1	417341024T
PCB1	R5113	CARBON R	R16J-1K	1	417341024T
PCB1	R5114	CARBON R	R16J-1K	1	417341024T
PCB1	R5115	CARBON R	R16J-1K	1	417341024T
PCB1	R5116	CARBON R	R16J-1K	1	417341024T
PCB1	R5130	CARBON R	R16J-22K	1	417342234T
PCB1	R5131	CARBON R	R16J-22K	1	417342234T
PCB1	R5132	CARBON R	R16J-22K	1	417342234T
PCB1	R5133	CARBON R	R16J-22K	1	417342234T
PCB1	R5134	CARBON R	R16J-22K	1	417342234T
PCB1	R5135	CARBON R	R16J-22K	1	417342234T
PCB1	R5136	CARBON R	R16J-22K	1	417342234T
PCB1	R5160	NF CARBON R	R25J-150	1	415471514T
PCB1	R5161	NF CARBON R	R25J-150	1	415471514T
PCB1	R5162	NF CARBON R	R25J-150	1	415471514T
PCB1	R5163	NF CARBON R	R25J-150	1	415471514T
PCB1	R5164	NF CARBON R	R25J-150	1	415471514T
PCB1	R5165	NF CARBON R	R25J-150	1	415471514T
PCB1	R5166	NF CARBON R	R25J-150	1	415471514T

PCB1	R5170	NF CARBON R	R25J-150	1	415471514T
PCB1	R5171	NF CARBON R	R25J-150	1	415471514T
PCB1	R5172	NF CARBON R	R25J-150	1	415471514T
PCB1	R5173	NF CARBON R	R25J-150	1	415471514T
PCB1	R5174	NF CARBON R	R25J-150	1	415471514T
PCB1	R5175	NF CARBON R	R25J-150	1	415471514T
PCB1	R5176	NF CARBON R	R25J-150	1	415471514T
PCB1	R5180	NF CARBON R	R25J-10	1	415471004T
PCB1	R5181	NF CARBON R	R25J-10	1	415471004T
PCB1	R5182	NF CARBON R	R25J-10	1	415471004T
PCB1	R5183	NF CARBON R	R25J-10	1	415471004T
PCB1	R5184	NF CARBON R	R25J-10	1	415471004T
PCB1	R5185	NF CARBON R	R25J-10	1	415471004T
PCB1	R5186	NF CARBON R	R25J-10	1	415471004T
PCB1	R5190	NF CARBON R	R25J-10	1	415471004T
PCB1	R5191	NF CARBON R	R25J-10	1	415471004T
PCB1	R5192	NF CARBON R	R25J-10	1	415471004T
PCB1	R5193	NF CARBON R	R25J-10	1	415471004T
PCB1	R5194	NF CARBON R	R25J-10	1	415471004T
PCB1	R5195	NF CARBON R	R25J-10	1	415471004T
PCB1	R5196	NF CARBON R	R25J-10	1	415471004T
PCB1	R5200	CARBON R	R16J-22K	1	417342234T
PCB1	R5201	CARBON R	R16J-22K	1	417342234T
PCB1	R5202	CARBON R	R16J-22K	1	417342234T
PCB1	R5203	CARBON R	R16J-22K	1	417342234T
PCB1	R5204	CARBON R	R16J-22K	1	417342234T
PCB1	R5205	CARBON R	R16J-22K	1	417342234T
PCB1	R5206	CARBON R	R16J-22K	1	417342234T
PCB1	R5230	CARBON R	R16J-120K	1	417341244T
PCB1	R5231	CARBON R	R16J-120K	1	417341244T
PCB1	R5232	CARBON R	R16J-120K	1	417341244T
PCB1	R5233	CARBON R	R16J-120K	1	417341244T
PCB1	R5234	CARBON R	R16J-120K	1	417341244T

PCB1	R5235	CARBON R	R16J-120K	1	417341244T
PCB1	R5236	CARBON R	R16J-120K	1	417341244T
PCB1	R5500	C-CARBON R	RN72K1J-331JE	1	435033314R1
PCB1	R5503	C-CARBON R	RN72K1J-331JE	1	435033314R1
PCB1	R5504	C-CARBON R	RN72K1J-331JE	1	435033314R1
PCB1	R5505	C-CARBON R	RN72K1J-222JE	1	435032224R1
PCB1	R5506	C-CARBON R	RN72K1J-222JE	1	435032224R1
PCB1	R5507	C-CARBON R	RN72K1J-331JE	1	435033314R1
PCB1	R5508	C-CARBON R	RN72K1J-331JE	1	435033314R1
PCB1	R5513	C-CARBON R	RN72K1J-331JE	1	435033314R1
PCB1	R5514	C-CARBON R	RN72K1J-331JE	1	435033314R1
PCB1	R5515	C-CARBON R	RN72K1J-222JE	1	435032224R1
PCB1	R5516	C-CARBON R	RN72K1J-222JE	1	435032224R1
PCB1	R5517	C-CARBON R	RN72K1J-331JE	1	435033314R1
PCB1	R5518	C-CARBON R	RN72K1J-331JE	1	435033314R1
PCB1	R5519	C-CARBON R	RN72K1J-331JE	1	435033314R1
PCB1	R5520	C-CARBON R	RN72K1J-331JE	1	435033314R1
PCB1	R5521	C-CARBON R	RN72K1J-331JE	1	435033314R1
PCB1	R5522	C-CARBON R	RN72K1J-331JE	1	435033314R1
PCB1	R5523	C-CARBON R	RN72K1J-331JE	1	435033314R1
PCB1	R5524	C-CARBON R	RN72K1J-331JE	1	435033314R1
PCB1	R5525	C-CARBON R	RN72K1J-331JE	1	435033314R1
PCB1	R5526	C-CARBON R	RN72K1J-331JE	1	435033314R1
PCB1	R5531	C-CARBON R	RN72K1J-101JE	1	435031014R1
PCB1	R5541	C-CARBON R	RN72K1J-224JE	1	435032244R1
PCB1	R5542	C-CARBON R	RN72K1J-224JE	1	435032244R1
PCB1	R5543	C-CARBON R	RN72K1J-224JE	1	435032244R1
PCB1	R5544	C-CARBON R	RN72K1J-224JE	1	435032244R1
PCB1	R5545	C-CARBON R	RN72K1J-224JE	1	435032244R1
PCB1	R5546	C-CARBON R	RN72K1J-224JE	1	435032244R1
PCB1	R5547	C-CARBON R	RN72K1J-224JE	1	435032244R1
PCB1	R5548	C-CARBON R	RN72K1J-224JE	1	435032244R1
PCB1	R5549	C-CARBON R	RN72K1J-224JE	1	435032244R1

PCB1	R5550	C-CARBON R	RN72K1J-224JE	1	435032244R1	
PCB1	R5553	C-CARBON R	RN72K1J-224JE	1	435032244R1	
PCB1	R5554	C-CARBON R	RN72K1J-224JE	1	435032244R1	
PCB1	R5555	C-CARBON R	RN72K1J-224JE	1	435032244R1	
PCB1	R5556	C-CARBON R	RN72K1J-224JE	1	435032244R1	
PCB1	R5557	C-CARBON R	RN72K1J-224JE	1	435032244R1	
PCB1	R5558	C-CARBON R	RN72K1J-224JE	1	435032244R1	
PCB1	R5559	C-CARBON R	RN72K1J-224JE	1	435032244R1	
PCB1	R5560	C-CARBON R	RN72K1J-224JE	1	435032244R1	
PCB1	R5561	C-CARBON R	RN72K1J-224JE	1	435032244R1	
PCB1	R5562	C-CARBON R	RN72K1J-224JE	1	435032244R1	
PCB1	R5563	C-CARBON R	RN72K1J-224JE	1	435032244R1	
PCB1	R5564	C-CARBON R	RN72K1J-224JE	1	435032244R1	
PCB1	R5565	C-CARBON R	RN72K1J-224JE	1	435032244R1	
PCB1	R5566	C-CARBON R	RN72K1J-224JE	1	435032244R1	
PCB1	R5571	C-CARBON R	RN72K1J-223JE	1	435032234R1	
PCB1	R5575	C-CARBON R	RN72K1J-224JE	1	435032244R1	
PCB1	R5576	C-CARBON R	RN72K1J-224JE	1	435032244R1	
PCB1	R5577	C-CARBON R	RN72K1J-103JE	1	435031034R1	
PCB1	R5578	C-CARBON R	RN72K1J-103JE	1	435031034R1	
PCB1	R5579	C-CARBON R	RN72K1J-224JE	1	435032244R1	
PCB1	R5582	C-CARBON R	RN72K1J-224JE	1	435032244R1	<MDD, MDC>
PCB1	R5583	C-CARBON R	RN72K1J-224JE	1	435032244R1	<MDD, MDC>
PCB1	R5585	C-CARBON R	RN72K1J-182JE	1	435031824R1	
PCB1	R5586	C-CARBON R	RN72K1J-182JE	1	435031824R1	
PCB1	R5587	C-CARBON R	RN72K1J-103JE	1	435031034R1	
PCB1	R5588	C-CARBON R	RN72K1J-103JE	1	435031034R1	
PCB1	R5589	CARBON R	R16J-1K	1	417341024T	
PCB1	R5590	C-CARBON R	RN72K1J-103JE	1	435031034R1	
PCB1	R5591	C-CARBON R	RN72K1J-103JE	1	435031034R1	
PCB1	R5592	C-CARBON R	RN72K1J-471JE	1	435034714R1	
PCB1	R5593	C-CARBON R	RN72K1J-122JE	1	435031224R1	
PCB1	R5594	C-CARBON R	RN72K1J-103JE	1	435031034R1	

PCB1	R5595	C-CARBON R	RN72K1J-103JE	1	435031034R1
PCB1	R5596	C-CARBON R	RN72K1J-471JE	1	435034714R1
PCB1	R5597	C-CARBON R	RN72K1J-122JE	1	435031224R1
PCB1	R5598	C-CARBON R	RN72K1J-103JE	1	435031034R1
PCB1	R5599	C-CARBON R	RN72K1J-103JE	1	435031034R1
PCB1	R5600	C-CARBON R	RN72K1J-224JE	1	435032244R1
PCB1	R5601	C-CARBON R	RN72K1J-224JE	1	435032244R1
PCB1	R5602	C-CARBON R	RN72K1J-224JE	1	435032244R1
PCB1	R5603	C-CARBON R	RN72K1J-224JE	1	435032244R1
PCB1	R5604	C-CARBON R	RN72K1J-224JE	1	435032244R1
PCB1	R5605	C-CARBON R	RN72K1J-224JE	1	435032244R1
PCB1	R5606	C-CARBON R	RN72K1J-224JE	1	435032244R1
PCB1	R5607	C-CARBON R	RN72K1J-224JE	1	435032244R1
PCB1	R5610	C-CARBON R	RN72K1J-271JE	1	435032714R1
PCB1	R5611	C-CARBON R	RN72K1J-222JE	1	435032224R1
PCB1	R5612	C-CARBON R	RN72K1J-222JE	1	435032224R1
PCB1	R5613	C-CARBON R	RN72K1J-222JE	1	435032224R1
PCB1	R5614	C-CARBON R	RN72K1J-222JE	1	435032224R1
PCB1	R5615	C-CARBON R	RN72K1J-222JE	1	435032224R1
PCB1	R5616	C-CARBON R	RN72K1J-222JE	1	435032224R1
PCB1	R5617	C-CARBON R	RN72K1J-222JE	1	435032224R1
PCB1	R5620	C-CARBON R	RN72K1J-101JE	1	435031014R1
PCB1	R5621	C-CARBON R	RN72K1J-000JE	1	435030004R1
PCB1	R5622	C-CARBON R	RN72K1J-000JE	1	435030004R1
PCB1	R5623	C-CARBON R	RN72K1J-000JE	1	435030004R1
PCB1	R5624	C-CARBON R	RN72K1J-000JE	1	435030004R1
PCB1	R5625	C-CARBON R	RN72K1J-000JE	1	435030004R1
PCB1	R5626	C-CARBON R	RN72K1J-000JE	1	435030004R1
PCB1	R5627	C-CARBON R	RN72K1J-000JE	1	435030004R1
PCB1	R5630	C-CARBON R	RN72K1J-221JE	1	435032214R1
PCB1	R5631	C-CARBON R	RN72K1J-473JE	1	435034734R1
PCB1	R5632	C-CARBON R	RN72K1J-153JE	1	435031534R1
PCB1	R5633	C-CARBON R	RN72K1J-122JE	1	435031224R1

PCB1	R5634	C-CARBON R	RN72K1J-103JE	1	435031034R1
PCB1	R5660	METAL R	RNU1WCJ-2.2	1	453630224T
PCB1	R5661	METAL R	RNU1WCJ-2.2	1	453630224T
PCB1	R5666	CARBON R	R16J-22	1	417342204T
PCB1	R5667	CARBON R	R16J-22	1	417342204T
PCB1	R5670	METAL O R	RS2WBJ-10	1	441721004F
PCB1	R5671	METAL O R	RS2WBJ-27	1	441722704F
PCB1	R5672	METAL O R	RS2WBJ-10	1	441721004F
PCB1	R5673	METAL O R	RS2WBJ-27	1	441722704F
PCB1	R5674	METAL O R	RS1WBJ-68	1	443626804T
PCB1	R5675	METAL O R	RS1WBJ-68	1	443626804T
PCB1	R5677	METAL O R	RS2WBJ-15	1	441721504F
PCB1	R5678	METAL O R	RS2WBJ-15	1	441721504F
PCB1	R5681	C-CARBON R	RN72K1J-224JE	1	435032244R1
PCB1	R5683	METAL O R	RS1WBJ-68	1	443626804T
PCB1	R5684	METAL O R	RS1WBJ-68	1	443626804T
PCB1	R5689	C-CARBON R	RN72K1J-224JE	1	435032244R1
PCB1	R5690	C-CARBON R	RN72K1J-224JE	1	435032244R1
PCB1	R5691	C-CARBON R	RN72K1J-224JE	1	435032244R1
PCB1	R5692	C-CARBON R	RN72K1J-224JE	1	435032244R1
PCB1	R5693	C-CARBON R	RN72K1J-224JE	1	435032244R1
PCB1	R5694	C-CARBON R	RN72K1J-224JE	1	435032244R1
PCB1	R5695	C-CARBON R	RN72K1J-224JE	1	435032244R1
PCB1	R5814	C-CARBON R	RN72K1J-000JE	1	435030004R1
PCB1	R5820	C-CARBON R	RN72K1J-000JE	1	435030004R1
PCB1	R5822	C-CARBON R	RN72K1J-000JE	1	435030004R1
PCB1	R5823	C-CARBON R	RN72K1J-000JE	1	435030004R1
PCB1	R5824	C-CARBON R	RN72K1J-000JE	1	435030004R1
PCB1	R5825	C-CARBON R	RN72K1J-000JE	1	435030004R1
PCB1	R5826	C-CARBON R	RN72K1J-000JE	1	435030004R1
PCB1	R6000	CARBON R	R16J-5.6K	1	417345624T
PCB1	R6001	CARBON R	R16J-5.6K	1	417345624T
PCB1	R6002	CARBON R	R16J-5.6K	1	417345624T

PCB1	R6003	CARBON R	R16J-5.6K	1	417345624T
PCB1	R6004	CARBON R	R16J-5.6K	1	417345624T
PCB1	R6005	CARBON R	R16J-5.6K	1	417345624T
PCB1	R6006	CARBON R	R16J-5.6K	1	417345624T
PCB1	R6010	CARBON R	R16J-3.9K	1	417343924T
PCB1	R6011	CARBON R	R16J-3.9K	1	417343924T
PCB1	R6012	CARBON R	R16J-3.9K	1	417343924T
PCB1	R6013	CARBON R	R16J-3.9K	1	417343924T
PCB1	R6014	CARBON R	R16J-3.9K	1	417343924T
PCB1	R6015	CARBON R	R16J-3.9K	1	417343924T
PCB1	R6016	CARBON R	R16J-3.9K	1	417343924T
PCB1	R6020	NF CARBON R	R25J-2.2	1	415470224T
PCB1	R6021	NF CARBON R	R25J-2.2	1	415470224T
PCB1	R6022	NF CARBON R	R25J-2.2	1	415470224T
PCB1	R6023	NF CARBON R	R25J-2.2	1	415470224T
PCB1	R6024	NF CARBON R	R25J-2.2	1	415470224T
PCB1	R6025	NF CARBON R	R25J-2.2	1	415470224T
PCB1	R6026	NF CARBON R	R25J-2.2	1	415470224T
PCB1	R6030	CARBON R	R16J-470	1	417344714T
PCB1	R6031	CARBON R	R16J-470	1	417344714T
PCB1	R6032	CARBON R	R16J-470	1	417344714T
PCB1	R6033	CARBON R	R16J-470	1	417344714T
PCB1	R6034	CARBON R	R16J-470	1	417344714T
PCB1	R6035	CARBON R	R16J-470	1	417344714T
PCB1	R6036	CARBON R	R16J-470	1	417344714T
PCB1	R6040	TRIM R	N06HR2KBC	1	5210390T
PCB1	R6041	TRIM R	N06HR2KBC	1	5210390T
PCB1	R6042	TRIM R	N06HR2KBC	1	5210390T
PCB1	R6043	TRIM R	N06HR2KBC	1	5210390T
PCB1	R6044	TRIM R	N06HR2KBC	1	5210390T
PCB1	R6045	TRIM R	N06HR2KBC	1	5210390T
PCB1	R6046	TRIM R	N06HR2KBC	1	5210390T
PCB1	R6050	CARBON R	R16J-3.3K	1	417343324T

PCB1	R6051	CARBON R	R16J-3.3K	1	417343324T
PCB1	R6052	CARBON R	R16J-3.3K	1	417343324T
PCB1	R6053	CARBON R	R16J-3.3K	1	417343324T
PCB1	R6054	CARBON R	R16J-3.3K	1	417343324T
PCB1	R6055	CARBON R	R16J-3.3K	1	417343324T
PCB1	R6056	CARBON R	R16J-3.3K	1	417343324T
PCB1	R6070	NF CARBON R	R25J-120	1	415471214T
PCB1	R6071	NF CARBON R	R25J-120	1	415471214T
PCB1	R6072	NF CARBON R	R25J-120	1	415471214T
PCB1	R6073	NF CARBON R	R25J-120	1	415471214T
PCB1	R6074	NF CARBON R	R25J-120	1	415471214T
PCB1	R6075	NF CARBON R	R25J-120	1	415471214T
PCB1	R6076	NF CARBON R	R25J-120	1	415471214T
PCB1	R6080	NF CARBON R	R25J-0.22	1	415472294T
PCB1	R6081	NF CARBON R	R25J-0.22	1	415472294T
PCB1	R6082	NF CARBON R	R25J-0.22	1	415472294T
PCB1	R6083	NF CARBON R	R25J-0.22	1	415472294T
PCB1	R6084	NF CARBON R	R25J-0.22	1	415472294T
PCB1	R6085	NF CARBON R	R25J-0.22	1	415472294T
PCB1	R6086	NF CARBON R	R25J-0.22	1	415472294T
PCB1	R6090	NF CARBON R	R25J-0.22	1	415472294T
PCB1	R6091	NF CARBON R	R25J-0.22	1	415472294T
PCB1	R6092	NF CARBON R	R25J-0.22	1	415472294T
PCB1	R6093	NF CARBON R	R25J-0.22	1	415472294T
PCB1	R6094	NF CARBON R	R25J-0.22	1	415472294T
PCB1	R6095	NF CARBON R	R25J-0.22	1	415472294T
PCB1	R6096	NF CARBON R	R25J-0.22	1	415472294T
PCB1	R6100	METAL PR	MPR2W+2W 0R22	1	4000234
PCB1	R6101	METAL PR	MPR2W+2W 0R22	1	4000234
PCB1	R6102	METAL PR	MPR2W+2W 0R22	1	4000234
PCB1	R6103	METAL PR	MPR2W+2W 0R22	1	4000234
PCB1	R6104	METAL PR	MPR2W+2W 0R22	1	4000234
PCB1	R6105	METAL PR	MPR2W+2W 0R22	1	4000234

PCB1	R6106	METAL PR	MPR2W+2W 0R22	1	4000234
PCB1	R6130	METAL R	RNU1WCJ-8.2	1	453630824T
PCB1	R6131	METAL R	RNU1WCJ-8.2	1	453630824T
PCB1	R6132	METAL R	RNU1WCJ-8.2	1	453630824T
PCB1	R6133	METAL R	RNU1WCJ-8.2	1	453630824T
PCB1	R6134	METAL R	RNU1WCJ-8.2	1	453630824T
PCB1	R6135	METAL R	RNU1WCJ-8.2	1	453630824T
PCB1	R6136	METAL R	RNU1WCJ-8.2	1	453630824T
PCB1	R6140	C-CARBON R	RN72K1J-223JE	1	435032234R1
PCB1	R6141	C-CARBON R	RN72K1J-223JE	1	435032234R1
PCB1	R6142	C-CARBON R	RN72K1J-223JE	1	435032234R1
PCB1	R6143	C-CARBON R	RN72K1J-223JE	1	435032234R1
PCB1	R6144	C-CARBON R	RN72K1J-223JE	1	435032234R1
PCB1	R6145	C-CARBON R	RN72K1J-223JE	1	435032234R1
PCB1	R6146	C-CARBON R	RN72K1J-223JE	1	435032234R1
PCB1	R6150	C-CARBON R	RN72K1J-123JE	1	435031234R1
PCB1	R6151	C-CARBON R	RN72K1J-123JE	1	435031234R1
PCB1	R6152	C-CARBON R	RN72K1J-123JE	1	435031234R1
PCB1	R6153	C-CARBON R	RN72K1J-123JE	1	435031234R1
PCB1	R6154	C-CARBON R	RN72K1J-123JE	1	435031234R1
PCB1	R6155	C-CARBON R	RN72K1J-123JE	1	435031234R1
PCB1	R6156	C-CARBON R	RN72K1J-123JE	1	435031234R1
PCB1	R6160	CARBON R	R16J-33K	1	417343334T
PCB1	R6161	CARBON R	R16J-33K	1	417343334T
PCB1	R6162	CARBON R	R16J-33K	1	417343334T
PCB1	R6163	CARBON R	R16J-33K	1	417343334T
PCB1	R6164	CARBON R	R16J-33K	1	417343334T
PCB1	R6165	CARBON R	R16J-33K	1	417343334T
PCB1	R6166	CARBON R	R16J-33K	1	417343334T
PCB1	R6170	CARBON R	R16J-47K	1	417344734T
PCB1	R6171	CARBON R	R16J-47K	1	417344734T
PCB1	R6172	CARBON R	R16J-47K	1	417344734T
PCB1	R6173	CARBON R	R16J-47K	1	417344734T

PCB1	R6174	CARBON R	R16J-47K	1	417344734T	
PCB1	R6175	CARBON R	R16J-47K	1	417344734T	
PCB1	R6176	CARBON R	R16J-47K	1	417344734T	
PCB1	R6180	CARBON R	R16J-47K	1	417344734T	
PCB1	R6181	CARBON R	R16J-47K	1	417344734T	
PCB1	R6182	CARBON R	R16J-47K	1	417344734T	
PCB1	R6183	CARBON R	R16J-47K	1	417344734T	
PCB1	R6184	CARBON R	R16J-47K	1	417344734T	
PCB1	R6185	CARBON R	R16J-47K	1	417344734T	
PCB1	R6186	CARBON R	R16J-47K	1	417344734T	
PCB1	R6190	C-CARBON R	RN72K1J-224JE	1	435032244R1	
PCB1	R6191	C-CARBON R	RN72K1J-224JE	1	435032244R1	
PCB1	R6192	C-CARBON R	RN72K1J-224JE	1	435032244R1	
PCB1	R6193	C-CARBON R	RN72K1J-224JE	1	435032244R1	
PCB1	R6194	C-CARBON R	RN72K1J-224JE	1	435032244R1	
PCB1	R6195	C-CARBON R	RN72K1J-224JE	1	435032244R1	
PCB1	R6196	C-CARBON R	RN72K1J-224JE	1	435032244R1	
PCB1	R6197	METAL O R	RS1WBJ-100	1	443621014T	
PCB1	R6701	C-CARBON R	RN72K1J-223JE	1	435032234R1	
PCB1	R6702	C-CARBON R	RN72K1J-103JE	1	435031034R1	
PCB1	R6704	C-CARBON R	RN72K1J-473JE	1	435034734R1	
PCB1	R6706	C-CARBON R	RN72K1J-224JE	1	435032244R1	
PCB1	R6708	C-CARBON R	RN72K1J-333JE	1	435033334R1	
PCB1	R6709	C-CARBON R	RN72K1J-562JE	1	435035624R1	
PCB1	R6710	C-CARBON R	RN72K1J-472JE	1	435034724R1	
PCB1	R6902	C-CARBON R	RN72K1J-102JE	1	435031024R1	
PCB1	R6903	C-CARBON R	RN72K1J-473JE	1	435034734R1	
PCB1	RL6901	RELAY	NRL-1P10A-DC12-140	1	25065584	!
PCB1	RL6901 or	RELAY	NRL-1P10A-DC12-143	(1)	25065588	!
PCB1	RL6902	RELAY	NRL-1P10A-DC12-140	1	25065584	!
PCB1	RL6902 or	RELAY	NRL-1P10A-DC12-143	(1)	25065588	!
PCB1	P302	PLUG	NPLG-15P0970	1	25056020	
PCB1	P303	PLUG	NPLG-15P0970	1	25056020	

PCB1	P304	PLUG	NPLG-3P0958	1	25056008	
PCB1	P5505	TRM-423(SCREW)	ST3	1	25060495	
PCB1	P6080	PLUG	NPLG-2P130	1	25055146	
PCB1	P6081	PLUG	NPLG-2P130	1	25055146	
PCB1	P6082	PLUG	NPLG-2P130	1	25055146	
PCB1	P6083	PLUG	NPLG-2P130	1	25055146	
PCB1	P6084	PLUG	NPLG-2P130	1	25055146	
PCB1	P6085	PLUG	NPLG-2P130	1	25055146	
PCB1	P6086	PLUG	NPLG-2P130	1	25055146	
PCB1	P6101	CLAMP	WS-2NS	1	27300833	
PCB1	P6602	TRM	NTM-4PDML422	1	25060494	
PCB1	P6900	CRIMP AS	CRIMP AS	1	20799162UL	
PCB1	P6901	CRIMP AS	CRIMP AS	1	2069925226UL	
PCB1	P6902	CRIMP AS	CRIMP AS	1	2069925189UL	
PCB1	P6903	CRIMP AS	CRIMP AS	1	20799163UL	
PCB1	P6904	CRIMP AS	CRIMP AS	1	20799164UL	
PCB1	P6911	RETAINER	(BUS)	1	27142022	
PCB1	P6991	TRM-423(SCREW)	ST3	1	25060495	
PCB1	P7900	ST JACK	MSJ-035-22	1	25045887	
PCB1	P7900 or	JACK	YKB21-5130	(1)	25045387	
PCB1	P7902	PIN JACK	NPJ-6PDWWWRRR561	1	25045779	
PCB1	P7902 or	PIN JACK	NPJ-6PDBL159	(1)	25045300	
PCB1	P7904	PIN JACK	NPJ-6PDWWWRRR561	1	25045779	
PCB1	P7904 or	PIN JACK	NPJ-6PDBL159	(1)	25045300	
PCB1	P7905	PIN JACK	NPJ-4PDWLRE642	1	25045866	
PCB1	P7906	PIN JACK	NPJ-4PDGNPT643	1	25045867	
PCB1	P7908	PIN JACK	NPJ-1PDP555	1	25045773	
PCB1	F6901C	FUSE HOL	NSCT-1P2031	1	25052133T	!
PCB1	F6901D	FUSE HOL	NSCT-1P2031	1	25052133T	!
PCB1	F6902C	FUSE HOL	NSCT-1P2031	1	25052133T	!
PCB1	F6902D	FUSE HOL	NSCT-1P2031	1	25052133T	!
PCB1	J5500	PVC	1007#24 .2/7HAND B	1	---	NSP
PCB1	J5500 or	PVC	1007#24 .2/7HAND R	(1)	---	NSP

PCB1	JL5502	JUMPER LEAD	JL9 300 B	1	---	NSP
PCB1	JL5502A	WIRE HOL	NSCT-9P880	1	25051093	
PCB1	JL6402	JUMPER LEAD	JL3 300 B	1	---	NSP
PCB1	JL6402A	WIRE HOL	NSCT-3P874	1	25051087	
PCB1	JL6600	JUMPER LEAD	JL7 250 H	1	---	NSP
PCB1	JL6600A	WIRE HOL	NSCT-7P898	1	25051111	
PCB1	JL6603	JUMPER LEAD	JL9 200 H	1	---	NSP
PCB1	JL6603A	WIRE HOL	NSCT-9P900	1	25051113	
PCB1	JL6604	JUMPER LEAD	JL5 200 H	1	---	NSP
PCB1	JL6604A	WIRE HOL	NSCT-5P896	1	25051109	
PCB1	JL6952	JUMPER LEAD	JL5 150 H	1	---	NSP
PCB1	JL6952A	WIRE HOL	NSCT-5P896	1	25051109	
PCB1	JL6952B	WIRE HOL	NSCT-5P896	1	25051109	
PCB2	U10	DISPLAY PC BOARD (NADIS-9430-1D / 1E)				
PCB2	U11	SWITCH PC BOARD (NADIS-9431-1D / 1E)				
PCB2	U12	POWER SUPPLY PC BOARD (NAPS-9432-1D / 1E)				
PCB2	U13	TRANS. SEC. TERMINAL PC BOARD (NAPS-9433-1D / 1E)				
PCB2	U14	HEADPHONE JACK PC BOARD (NAETC-9435-1D / 1E)				
PCB2						
PCB2	CIRCUIT NO.	PART NAME	DESCRIPTION	Q'TY	PART NO. (SN)	REMARKS
PCB2	U7041	REMO SENS	NJL34H380A	1	241365	
PCB2	Q7001	FL TUBE	16-BT-138GNK	1	212268	
PCB2	Q7001A	HOLDER	(FL)	1	27191222C	
PCB2	Q7003	IC	M66005-0001AHP	1	22242208R3	
PCB2	Q7004	TR	2SC2458-GR	1	2212115T	
PCB2	Q7004 or	TR	2SC1740S-R	(1)	2213284T	
PCB2	Q7004 or	TR	2SC1740S-S	(1)	2213285T	
PCB2	Q7005	TR	KRA102M	1	2215770T	
PCB2	Q7005 or	TR	DTA114ES	(1)	2213510T	
PCB2	Q7007	TR	KRC102M	1	2215960T	
PCB2	Q7007 or	TR	DTC114ES	(1)	2213290T	
PCB2	Q7033	TR	KTC3198-GR	1	2215985T	

PCB2	Q7033 or	TR	2SC1815-GR	(1)	2211255T	
PCB2	Q7401	IC	NJM4580D-D	1	22241112	
PCB2	Q7403	TR	KRC111M	1	2216320T	
PCB2	Q7403 or	TR	DTC114TS	(1)	221299T	
PCB2	Q7404	TR	KRC111M	1	2216320T	
PCB2	Q7404 or	TR	DTC114TS	(1)	221299T	
PCB2	D7002	ZENER D	MTZJ8.2B	1	224470822T	
PCB2	D7033	ZENER D	MTZJ3.9B	1	224470392T	
PCB2	D7151	LED	SLI-343URC-TE7	1	225449T	
PCB2	D7401	ZENER D	MTZJ5.1B	1	224470512T	
PCB2	D7411	ZENER D	MTZJ6.8B	1	224470682T	
PCB2	D7412	ZENER D	MTZJ6.8B	1	224470682T	
PCB2	D911	DIODE	1SS133	1	223163T	
PCB2	D912	DIODE	1SS133	1	223163T	
PCB2	D921	DIODE	1SS133	1	223163T	
PCB2	D922	DIODE	1SS133	1	223163T	
PCB2	D923	DIODE	1SS133	1	223163T	
PCB2	D924	DIODE	1SS133	1	223163T	
PCB2	D925	DIODE	1SS133	1	223163T	
PCB2	D930	DIODE	1SS133	1	223163T	
PCB2	D931	DIODE	1SS133	1	223163T	
PCB2	D933	DIODE	1SS133	1	223163T	
PCB2	D934	ZENER D	MTZJ5.6B	1	224470562T	
PCB2	D935	DIODE	1SS133	1	223163T	
PCB2	T902	P TRANS	NPT-1520JQ	1	2301812A	!, <MDD, MDC>
PCB2	T902	P TRANS	NPT-1520GQ	1	2301813A	!, <MPP>
PCB2	L7031	CHOKE COIL	NCH-1561 022K	1	233526K022T	
PCB2	L7201	CHOKE COIL	NCH-1561 022K	1	233526K022T	
PCB2	L7202	CHOKE COIL	NCH-1561 022K	1	233526K022T	
PCB2	L7203	CHOKE COIL	NCH-1561 022K	1	233526K022T	
PCB2	L7401	CHOKE COIL	NCH-1561 022K	1	233526K022T	
PCB2	L7402	CHOKE COIL	NCH-1561 022K	1	233526K022T	
PCB2	C901	IS C	LE103-C3.5	1	3800042S	!

PCB2	C901 or	IS C	ECQU2A103MLC	(1)	3800039S	!
PCB2	C902	TF C	ECQ-V50V-104J	1	374721044T	
PCB2	C911	TF C	ECQ-B50V-102J	1	374721024T	
PCB2	C921	CERA C	CK45F50V-223Z	1	335622230T	
PCB2	C922	VR C	CE04W16V-2200M(VR)	1	394642227S	<MPP>
PCB2	C922	VR C	CE04W25V-2200M(VR)	1	394652227S	<MDD, MDC>
PCB2	C930	UTSP C	CE04W50V-100M(UTSP)	1	397581017T	
PCB2	C933	UTSP C	CE04W50V-4.7M(UTSP)	1	397580477T	
PCB2	C7001	CERA C	CK45F50V-223Z	1	335622230T	
PCB2	C7002	MMT C	MMT50V-104J	1	375521044T	
PCB2	C7003	CERA C	CC45SL50V-101J	1	345021014T	
PCB2	C7004	CERA C	CC45SL50V-101J	1	345021014T	
PCB2	C7005	CERA C	CC45SL50V-101J	1	345021014T	
PCB2	C7007	CERA C	CC45SL50V-101J	1	345021014T	
PCB2	C7008	UTSP C	CE04W10V-100M(UTSP)	1	397531017T	
PCB2	C7009	MMT C	MMT50V-104J	1	375521044T	
PCB2	C7010	CERA C	CK45F50V-223Z	1	335622230T	
PCB2	C7011	CERA C	CK45F50V-223Z	1	335622230T	
PCB2	C7012	CERA C	CK45F50V-223Z	1	335622230T	
PCB2	C7013	UTSP C	CE04W50V 47M(UTSP)	1	397584707T	
PCB2	C7014	CERA C	CK45F50V-223Z	1	335622230T	
PCB2	C7015	ELECT C	CE04W16V-47M(S)	1	353744709T	
PCB2	C7016	CERA C	CK45F50V-223Z	1	335622230T	
PCB2	C7017	CERA C	CK45F50V-223Z	1	335622230T	
PCB2	C7021	CERA C	CK45F50V-103Z	1	335621030T	
PCB2	C7022	CERA C	CK45F50V-103Z	1	335621030T	
PCB2	C7031	CERA C	CK45F50V-223Z	1	335622230T	
PCB2	C7032	CERA C	CK45F50V-223Z	1	335622230T	
PCB2	C7033	UTSP C	CE04W50V-10M(UTSP)	1	397581007T	
PCB2	C7041	ELECT C	CE04W6.3V-100M(S)	1	353721019T	
PCB2	C7043	CERA C	CK45B50V-102K	1	335321025T	
PCB2	C7201	TF C	ECQ-B50V-102J	1	374721024T	
PCB2	C7202	TF C	ECQ-B50V-223J	1	374722234T	

PCB2	C7203	TF C	ECQ-B50V-102J	1	374721024T
PCB2	C7204	TF C	ECQ-B50V-102J	1	374721024T
PCB2	C7301	TF C	ECQ-B50V-471J	1	374724714T
PCB2	C7302	TF C	ECQ-B50V-471J	1	374724714T
PCB2	C7303	MMT C	MMT50V-104J	1	375521044T
PCB2	C7304	MMT C	MMT50V-104J	1	375521044T
PCB2	C7305	MMT C	MMT50V-104J	1	375521044T
PCB2	C7401	UTSP C	CE04W50V-10M(UTSP)	1	397581007T
PCB2	C7402	CERA C	CC45SL50V-101J	1	345021014T
PCB2	C7403	UTSP C	CE04W25V-47M(UTSP)	1	397554707T
PCB2	C7404	CERA C	CC45SL50V-330J	1	345023304T
PCB2	C7405	ELECT C	CE04W16V-10M(S)	1	353741009T
PCB2	C7411	UTSP C	CE04W25V-47M(UTSP)	1	397554707T
PCB2	C7412	UTSP C	CE04W25V-47M(UTSP)	1	397554707T
PCB2	C7421	CERA C	CK45B50V-102K	1	335321025T
PCB2	C9101	MMT C	MMT50V-104J	1	375521044T
PCB2	R921	METAL O R	RS1/2WBJ-47	1	443524704T
PCB2	R934	CARBON R	R16J-100K	1	417341044T
PCB2	R7001	CARBON R	R16J-100K	1	417341044T
PCB2	R7002	CARBON R	R16J-3.3K	1	417343324T
PCB2	R7003	CARBON R	R16J-3.3K	1	417343324T
PCB2	R7004	CARBON R	R16J-220	1	417342214T
PCB2	R7005	CARBON R	R16J-220	1	417342214T
PCB2	R7006	CARBON R	R16J-18K	1	417341834T
PCB2	R7007	CARBON R	R16J-220	1	417342214T
PCB2	R7008	CARBON R	R16J-220	1	417342214T
PCB2	R7021	CARBON R	R16J-10K	1	417341034T
PCB2	R7022	CARBON R	R16J-10K	1	417341034T
PCB2	R7023	CARBON R	R16J-10K	1	417341034T
PCB2	R7024	CARBON R	R16J-10K	1	417341034T
PCB2	R7033	CARBON R	R16J-82	1	417348204T
PCB2	R7041	CARBON R	R16J-100	1	417341014T
PCB2	R7042	CARBON R	R16J-1K	1	417341024T

PCB2	R7101	CARBON R	R16J-330	1	417343314T
PCB2	R7102	CARBON R	R16J-470	1	417344714T
PCB2	R7103	CARBON R	R16J-560	1	417345614T
PCB2	R7104	CARBON R	R16J-820	1	417348214T
PCB2	R7105	CARBON R	R16J-1.2K	1	417341224T
PCB2	R7107	CARBON R	R16J-330	1	417343314T
PCB2	R7108	CARBON R	R16J-470	1	417344714T
PCB2	R7109	CARBON R	R16J-560	1	417345614T
PCB2	R7110	CARBON R	R16J-820	1	417348214T
PCB2	R7111	CARBON R	R16J-1.2K	1	417341224T
PCB2	R7112	CARBON R	R16J-2.2K	1	417342224T
PCB2	R7113	CARBON R	R16J-3.9K	1	417343924T
PCB2	R7114	CARBON R	R16J-12K	1	417341234T
PCB2	R7115	CARBON R	R16J-330	1	417343314T
PCB2	R7116	CARBON R	R16J-470	1	417344714T
PCB2	R7117	CARBON R	R16J-560	1	417345614T
PCB2	R7118	CARBON R	R16J-820	1	417348214T
PCB2	R7119	CARBON R	R16J-1.2K	1	417341224T
PCB2	R7120	CARBON R	R16J-2.2K	1	417342224T
PCB2	R7121	CARBON R	R16J-3.9K	1	417343924T
PCB2	R7122	CARBON R	R16J-12K	1	417341234T
PCB2	R7123	CARBON R	R16J-330	1	417343314T
PCB2	R7124	CARBON R	R16J-470	1	417344714T
PCB2	R7125	CARBON R	R16J-560	1	417345614T
PCB2	R7126	CARBON R	R16J-820	1	417348214T
PCB2	R7127	CARBON R	R16J-1.2K	1	417341224T
PCB2	R7128	CARBON R	R16J-2.2K	1	417342224T
PCB2	R7129	CARBON R	R16J-3.9K	1	417343924T
PCB2	R7130	CARBON R	R16J-12K	1	417341234T
PCB2	R7151	CARBON R	R16J-2.2K	1	417342224T
PCB2	R7301	CARBON R	R16J-330	1	417343314T
PCB2	R7302	CARBON R	R16J-330	1	417343314T
PCB2	R7401	CARBON R	R16J-100	1	417341014T

PCB2	R7402	CARBON R	R16J-220K	1	417342244T	
PCB2	R7403	CARBON R	R16J-4.7K	1	417344724T	
PCB2	R7404	CARBON R	R16J-220	1	417342214T	
PCB2	R7405	CARBON R	R16J-47K	1	417344734T	
PCB2	R7406	CARBON R	R16J-330	1	417343314T	
PCB2	R7407	CARBON R	R16J-1K	1	417341024T	
PCB2	R7408	CARBON R	R16J-33K	1	417343334T	
PCB2	R7409	CARBON R	R16J-220	1	417342214T	
PCB2	R7410	CARBON R	R16J-220	1	417342214T	
PCB2	R7411	CARBON R	R16J-470	1	417344714T	
PCB2	R7412	CARBON R	R16J-470	1	417344714T	
PCB2	R7413	CARBON R	R16J-220K	1	417342244T	
PCB2	R7414	CARBON R	R16J-100K	1	417341044T	
PCB2	R9101	METAL R	RNU1/2WCJ-0.1	1	453531094T	!, <MDD, MDC>
PCB2	R9101	METAL R	RNU1/2WCJ-0.22	1	453532294T	!, <MPP>
PCB2	R9102	METAL R	RNU1/2WCJ-8.2	1	453530824T	
PCB2	RL901	RELAY	NRL-1P5A-DC9-179	1	25065669	!
PCB2	S7001	R ENCODE	EC12E2425WITH WASHER	1	25065655W	
PCB2	S7101	PUSH SW	NPS-111-S681	1	25035718T	
PCB2	S7104	PUSH SW	NPS-111-S681	1	25035718T	
PCB2	S7106	PUSH SW	NPS-111-S681	1	25035718T	
PCB2	S7107	PUSH SW	NPS-111-S681	1	25035718T	
PCB2	S7109	PUSH SW	NPS-111-S681	1	25035718T	
PCB2	S7115	PUSH SW	NPS-111-S681	1	25035718T	
PCB2	S7117	PUSH SW	NPS-111-S681	1	25035718T	
PCB2	S7119	PUSH SW	NPS-111-S681	1	25035718T	
PCB2	S7123	PUSH SW	NPS-111-S681	1	25035718T	
PCB2	S7125	PUSH SW	NPS-111-S681	1	25035718T	
PCB2	S7127	PUSH SW	NPS-111-S681	1	25035718T	
PCB2	S7129	PUSH SW	NPS-111-S681	1	25035718T	
PCB2	S7132	PUSH SW	NPS-111-S681	1	25035718T	
PCB2	S7134	PUSH SW	NPS-111-S681	1	25035718T	
PCB2	S7136	PUSH SW	NPS-111-S681	1	25035718T	

PCB2	S7138	PUSH SW	NPS-111-S681	1	25035718T	
PCB2	S7140	PUSH SW	NPS-111-S681	1	25035718T	
PCB2	S7142	PUSH SW	NPS-111-S681	1	25035718T	
PCB2	S7144	PUSH SW	NPS-111-S681	1	25035718T	
PCB2	S7146	PUSH SW	NPS-111-S681	1	25035718T	
PCB2	S7148	PUSH SW	NPS-111-S681	1	25035718T	
PCB2	S7149	PUSH SW	NPS-111-S681	1	25035718T	
PCB2	S7151	PUSH SW	NPS-111-S681	1	25035718T	
PCB2	S7153	PUSH SW	NPS-111-S681	1	25035718T	
PCB2	S7155	PUSH SW	NPS-111-S681	1	25035718T	
PCB2	S7157	PUSH SW	NPS-111-S681	1	25035718T	
PCB2	S7159	PUSH SW	NPS-111-S681	1	25035718T	
PCB2	S7161	PUSH SW	NPS-111-S681	1	25035718T	
PCB2	S7164	PUSH SW	NPS-111-S681	1	25035718T	
PCB2	S7166	PUSH SW	NPS-111-S681	1	25035718T	
PCB2	P701B	SOCKET	NSCT-33P2163	1	25052266	
PCB2	P901A	PLUG	NPLG-2P631	1	25055675	!
PCB2	P901A or	PLUG	1-1123724-2	(1)	25056402	!
PCB2	P911	PLUG	NPLG-2P631	1	25055675	
PCB2	P911 or	PLUG	1-1123724-2	(1)	25056402	
PCB2	P7201	ST JACK	MSJ-064-05A SR	1	25045783	
PCB2	P7201 or	ST JACK	YKB21-5005	(1)	25045724	
PCB2	P7301	PIN JACK	NPI-7PDB477	1	25045680	
PCB2	P7401	ST JACK	MSJ-035-05C B AG SR type	1	25045879	
PCB2	E901	TRM-423(SCREW)	ST3	1	25060495	
PCB2	E902	TRM-423(SCREW)	ST3	1	25060495	
PCB2	E7201	TRM-423(SCREW)	ST3	1	25060495	
PCB2	E7301	RETAINER	(S)	1	27142074	
PCB2	F901C	FUSE HOL	NSCT-1P2031	1	25052133T	!
PCB2	F901D	FUSE HOL	NSCT-1P2031	1	25052133T	!
PCB2	JL901	JUMPER LEAD	JL5 300 B	1	---	NSP
PCB2	JL901A	WIRE HOL	NSCT-5P876	1	25051089	
PCB2	JL6605	JUMPER LEAD	JL5 350 H	1	---	NSP

PCB2	JL6605A	WIRE HOL	NSCT-5P896	1	25051109	
PCB2	JL7101	JUMPER LEAD	JL9 200 H	1	---	NSP
PCB2	JL7101A	WIRE HOL	NSCT-9P900	1	25051113	
PCB2	JL7101B	WIRE HOL	NSCT-9P900	1	25051113	
PCB2	JL9101	JUMPER LEAD	JL7 350 H	1	---	NSP
PCB2	JL9101A	WIRE HOL	NSCT-7P898	1	25051111	
PCB3	U30	MICROPROCESSOR PC BOARD (NADG-9457-1F / 1G)				
PCB3	U31	XM/SIRIUS PC BOARD (NADG-9457-1F / 1G)				
PCB3						
PCB3	CIRCUIT NO.	PART NAME	DESCRIPTION	Q'TY	PART NO. (SN)	REMARKS
PCB3	U131	PHT CP	JSR1165-001recieving	1	24120143	
PCB3	U131 or	PHT CP	GP1FAV51RK0F	(1)	24120129	
PCB3	U132	PHT CP	JSR1165-001recieving	1	24120143	
PCB3	U132 or	PHT CP	GP1FAV51RK0F	(1)	24120129	
PCB3	Q101	TR	2SC2235-Y(TPE6_F)	1	2211654T	
PCB3	Q131	IC	74HCU04F	1	222740046R2	
PCB3	Q152	IC	TC74VHCT541AFT	1	22274541GR2TO	
PCB3	Q153	IC	RIEX25064ASA00A	1	22242581R2	
PCB3	Q171	IC	TC7WU04FU(TE12L_F)	1	22240935R2	
PCB3	Q2004	IC	NJM4580M-D	1	22241448R2	
PCB3	Q301	IC	CS42518-CQZR-D	1	22242229R2	
PCB3	Q341	IC	NJM4580M-D	1	22241448R2	
PCB3	Q401	IC	NJM4580M-D	1	22241448R2	
PCB3	Q402	IC	NJM4580M-D	1	22241448R2	
PCB3	Q403	IC	NJM4580M-D	1	22241448R2	
PCB3	Q404	IC	NJM4580M-D	1	22241448R2	
PCB3	Q601	TR	KRC104S	1	2216210R2	
PCB3	Q601 or	TR	RN1404	(1)	2214490R2	
PCB3	Q701	IC (MAIN MICROPROCEESSOR)	M30624MHP-456FP	1	22242574R3	
PCB3	Q702	IC	S-812C33AUA-C2N	1	22242222R2	
PCB3	Q703	IC	S-812C56AUA-C3K	1	22242207R2	
PCB3	Q746	IC	TA48033AF(TE16L_NQ)	1	22278033DR2TO	

PCB3	Q746 or	IC	TA48033BF(TE16L_NQ)	1	22278033DBR2TO
PCB3	Q746 or	IC	NJM2391DL1-33	(1)	22278033DR2JR
PCB3	Q746 or	IC	BA33BC0FP	(1)	22278033DR2RH
PCB3	Q751	TR	KRC104S	1	2216210R2
PCB3	Q751 or	TR	RN1404	(1)	2214490R2
PCB3	Q752	TR	KRA102S	1	2216220R2
PCB3	Q752 or	TR	RN2402	(1)	2214530R2
PCB3	Q753	TR	KRA107S	1	2216350R2
PCB3	Q753 or	TR	RN2407(TE85L_F)	(1)	2216360R2
PCB3	Q754	TR	KRC102S	1	2216190R2
PCB3	Q754 or	TR	RN1402	(1)	2214470R2
PCB3	Q755	TR	KRA107S	1	2216350R2
PCB3	Q755 or	TR	RN2407(TE85L_F)	(1)	2216360R2
PCB3	Q756	TR	KRC102S	1	2216190R2
PCB3	Q756 or	TR	RN1402	(1)	2214470R2
PCB3	D103	C-DIODE	KDS4148U	1	223283R2
PCB3	D103 or	C-DIODE	1SS352	(1)	223234R2
PCB3	D103 or	C-DIODE	MA2J111	(1)	223279R2
PCB3	D104	C-DIODE	KDS4148U	1	223283R2
PCB3	D104 or	C-DIODE	1SS352	(1)	223234R2
PCB3	D104 or	C-DIODE	MA2J111	(1)	223279R2
PCB3	D105	ZENER D	UDZS10B	1	224551000R2
PCB3	D601	C-DIODE	KDS4148U	1	223283R2
PCB3	D601 or	C-DIODE	1SS352	(1)	223234R2
PCB3	D601 or	C-DIODE	MA2J111	(1)	223279R2
PCB3	D701	C-DIODE	KDS4148U	1	223283R2
PCB3	D701 or	C-DIODE	1SS352	(1)	223234R2
PCB3	D701 or	C-DIODE	MA2J111	(1)	223279R2
PCB3	D702	C-DIODE	KDS4148U	1	223283R2
PCB3	D702 or	C-DIODE	1SS352	(1)	223234R2
PCB3	D702 or	C-DIODE	MA2J111	(1)	223279R2
PCB3	D705	C-DIODE	KDS4148U	1	223283R2
PCB3	D705 or	C-DIODE	1SS352	(1)	223234R2

PCB3	D705 or	C-DIODE	MA2J111	(1)	223279R2
PCB3	D706	C-DIODE	KDS4148U	1	223283R2
PCB3	D706 or	C-DIODE	1SS352	(1)	223234R2
PCB3	D706 or	C-DIODE	MA2J111	(1)	223279R2
PCB3	D2082	C-DIODE	KDS4148U	1	223283R2
PCB3	D2082 or	C-DIODE	1SS352	(1)	223234R2
PCB3	D2082 or	C-DIODE	MA2J111	(1)	223279R2
PCB3	D2083	C-DIODE	KDS4148U	1	223283R2
PCB3	D2083 or	C-DIODE	1SS352	(1)	223234R2
PCB3	D2083 or	C-DIODE	MA2J111	(1)	223279R2
PCB3	X171	CRYSTAL	HC-49US24.576MHz	1	3010423T
PCB3	X171 or	CRYSTAL	HC-49/U03-24.576M	(1)	3010314T
PCB3	X171A	IB CUSHION	W15 x 3t TAPE	1	28141585
PCB3	X701	CERA LOCK	CSTCR6M0055-R0	1	3010397R2
PCB3	L131	CHOKE COIL	LBC2518T2R2M	1	231364M022R2
PCB3	L132	CHOKE COIL	LBC2518T2R2M	1	231364M022R2
PCB3	L133	CHOKE COIL	LBC2518T470M	1	231364M470R2
PCB3	L134	CHOKE COIL	LBC2518T470M	1	231364M470R2
PCB3	L152	CHOKE COIL	BLM21PG221SN1	1	230949R2
PCB3	L153	CHOKE COIL	BLM21PG221SN1	1	230949R2
PCB3	L171	CHOKE COIL	LBC2518T470M	1	231364M470R2
PCB3	L173	EMIFIL	BK1608LM182-T	1	230958R1
PCB3	L302	CHOKE COIL	BLM21PG221SN1	1	230949R2
PCB3	L303	CHOKE COIL	LBC2518T4R7M	1	231364M047R2
PCB3	L304	CHOKE COIL	BLM21PG221SN1	1	230949R2
PCB3	L311	EMIFIL	BK1608LM182-T	1	230958R1
PCB3	L313	EMIFIL	BK1608LM182-T	1	230958R1
PCB3	L741	CHOKE COIL	BLM21PG221SN1	1	230949R2
PCB3	L742	CHOKE COIL	BLM21PG221SN1	1	230949R2
PCB3	L743	CHOKE COIL	BLM21PG221SN1	1	230949R2
PCB3	L744	CHOKE COIL	BLM21PG221SN1	1	230949R2
PCB3	L746	CHOKE COIL	BLM21PG221SN1	1	230949R2
PCB3	L747	CHOKE COIL	BLM21PG221SN1	1	230949R2

PCB3	L2086	CHOKE COIL	BLM21PG221SN1	1	230949R2
PCB3	C102	C-CERA C	CK725F1E-104Z1	1	332161040R1
PCB3	C103	VR C	CE04W16V-100M(VR)	1	394641017T
PCB3	C104	C-CERA C	CK725F1E-104Z1	1	332161040R1
PCB3	C106	C-CERA C	CK725F1E-104Z1	1	332161040R1
PCB3	C107	C-CERA C	CK725F1E-104Z1	1	332161040R1
PCB3	C109	C-CERA C	CK725F1E-104Z1	1	332161040R1
PCB3	C110	UTSP C	CE04W50V 47M(UTSP)	1	397584707T
PCB3	C131	C-CERA C	CC725CH1H-101J1	1	342101014R1
PCB3	C132	C-CERA C	CC725CH1H-101J1	1	342101014R1
PCB3	C133	C-CERA C	CK725B1C-104K1	1	332121045R1
PCB3	C134	C-CERA C	CK725B1C-104K1	1	332121045R1
PCB3	C135	C-CERA C	CC725CH1H-080D1	1	342100802R1
PCB3	C136	C-CERA C	CC725CH1H-080D1	1	342100802R1
PCB3	C139	VR C	CE04W6.3V-220M(VR)	1	394622217T
PCB3	C140	C-CERA C	CK725F1E-104Z1	1	332161040R1
PCB3	C141	C-CERA C	CK725F1E-104Z1	1	332161040R1
PCB3	C142	C-CERA C	CK725F1E-104Z1	1	332161040R1
PCB3	C145	VR C	CE04W6.3V-220M(VR)	1	394622217T
PCB3	C146	C-CERA C	CK725B1H-103K1	1	332101035R1
PCB3	C151	C-CERA C	CK725F1E-104Z1	1	332161040R1
PCB3	C152	C-CERA C	CK725F1E-104Z1	1	332161040R1
PCB3	C171	C-CERA C	CK725F1E-104Z1	1	332161040R1
PCB3	C172	C-CERA C	CC725CH1H-060D1	1	342100602R1
PCB3	C173	C-CERA C	CC725CH1H-060D1	1	342100602R1
PCB3	C210	C-CERA C	CK725F1E-104Z1	1	332161040R1
PCB3	C301	C-CERA C	CK725B1H-103K1	1	332101035R1
PCB3	C302	UTSP C	CE04W10V-470M(UTSP)	1	397534717T
PCB3	C303	UTSP C	CE04W10V-470M(UTSP)	1	397534717T
PCB3	C304	UTSP C	CE04W10V-470M(UTSP)	1	397534717T
PCB3	C305	C-CERA C	CK725F1E-104Z1	1	332161040R1
PCB3	C306	UTSJ C	CE04W25V-47M(UTSJ)	1	398054707T
PCB3	C307	C-CERA C	CK725F1E-104Z1	1	332161040R1

PCB3	C308	UTSP C	CE04W10V-100M(UTSP)	1	397531017T
PCB3	C309	C-CERA C	CK725F1E-104Z1	1	332161040R1
PCB3	C310	C-CERA C	CK725B1H-222K1	1	332102225R1
PCB3	C311	C-CERA C	CK725B1H-473K1	1	332104735R1
PCB3	C312	C-CERA C	CK725F1E-104Z1	1	332161040R1
PCB3	C313	C-CERA C	CK725F1E-104Z1	1	332161040R1
PCB3	C314	C-CERA C	CK725F1E-104Z1	1	332161040R1
PCB3	C315	C-CERA C	CK725F1E-104Z1	1	332161040R1
PCB3	C316	C-CERA C	CC725CH1H-221J1	1	342102214R1
PCB3	C317	C-CERA C	CK725F1E-104Z1	1	332161040R1
PCB3	C321	UTSP C	CE04W50V-10M(UTSP)	1	397581007T
PCB3	C322	UTSP C	CE04W50V-10M(UTSP)	1	397581007T
PCB3	C323	UTSP C	CE04W50V-10M(UTSP)	1	397581007T
PCB3	C324	UTSP C	CE04W50V-10M(UTSP)	1	397581007T
PCB3	C325	C-CERA C	CC732CH1H-222J	1	347342224R2
PCB3	C326	C-CERA C	CC732CH1H-222J	1	347342224R2
PCB3	C333	C-CERA C	CC725CH1H-330J1	1	342103304R1
PCB3	C334	C-CERA C	CC725CH1H-330J1	1	342103304R1
PCB3	C336	C-CERA C	CC725CH1H-330J1	1	342103304R1
PCB3	C337	C-CERA C	CC725CH1H-330J1	1	342103304R1
PCB3	C341	C-CERA C	CC725CH1H-101J1	1	342101014R1
PCB3	C342	C-CERA C	CC725CH1H-101J1	1	342101014R1
PCB3	C401	TF C	ECQ-B50V-472J	1	374724724T
PCB3	C402	TF C	ECQ-B50V-472J	1	374724724T
PCB3	C403	TF C	ECQ-B50V-472J	1	374724724T
PCB3	C404	TF C	ECQ-V50V-333J	1	374723334T
PCB3	C405	TF C	ECQ-B50V-472J	1	374724724T
PCB3	C406	TF C	ECQ-B50V-472J	1	374724724T
PCB3	C407	TF C	ECQ-B50V-472J	1	374724724T
PCB3	C408	TF C	ECQ-B50V-472J	1	374724724T
PCB3	C411	TF C	ECQ-B50V-681J	1	374726814T
PCB3	C412	TF C	ECQ-B50V-681J	1	374726814T
PCB3	C413	TF C	ECQ-B50V-681J	1	374726814T

PCB3	C414	TF C	ECQ-B50V-153J	1	374721534T
PCB3	C415	C-CERA C	CC725CH1H-681J1	1	342106814R1
PCB3	C416	C-CERA C	CC725CH1H-681J1	1	342106814R1
PCB3	C417	C-CERA C	CC725CH1H-681J1	1	342106814R1
PCB3	C418	C-CERA C	CC725CH1H-681J1	1	342106814R1
PCB3	C421	TF C	ECQ-B50V-681J	1	374726814T
PCB3	C422	TF C	ECQ-B50V-681J	1	374726814T
PCB3	C423	TF C	ECQ-B50V-681J	1	374726814T
PCB3	C424	TF C	ECQ-B50V-153J	1	374721534T
PCB3	C425	C-CERA C	CC725CH1H-681J1	1	342106814R1
PCB3	C426	C-CERA C	CC725CH1H-681J1	1	342106814R1
PCB3	C427	C-CERA C	CC725CH1H-681J1	1	342106814R1
PCB3	C428	C-CERA C	CC725CH1H-681J1	1	342106814R1
PCB3	C591	UTSP C	CE04W25V-220M(UTSP)	1	397552217T
PCB3	C592	UTSP C	CE04W25V-220M(UTSP)	1	397552217T
PCB3	C601	C-CERA C	CK725F1E-104Z1	1	332161040R1
PCB3	C602	C-CERA C	CK725F1E-104Z1	1	332161040R1
PCB3	C603	C-CERA C	CK725F1E-104Z1	1	332161040R1
PCB3	C604	UTSP C	CE04W50V-4.7M(UTSP)	1	397580477T
PCB3	C605	C-CERA C	CK725F1E-104Z1	1	332161040R1
PCB3	C606	C-CERA C	CC725CH1H-101J1	1	342101014R1
PCB3	C607	C-CERA C	CC725CH1H-101J1	1	342101014R1
PCB3	C608	C-CERA C	CK725F1E-104Z1	1	332161040R1
PCB3	C609	C-CERA C	CK725F1E-104Z1	1	332161040R1
PCB3	C610	C-CERA C	CK725B1H-102K1	1	332101025R1
PCB3	C611	C-CERA C	CK725F1E-104Z1	1	332161040R1
PCB3	C612	C-CERA C	CK725B1H-102K1	1	332101025R1
PCB3	C613	C-CERA C	CK732B1A-105K	1	337361055R2
PCB3	C614	C-CERA C	CK725F1E-104Z1	1	332161040R1
PCB3	C615	C-CERA C	CK725F1E-104Z1	1	332161040R1
PCB3	C616	C-CERA C	CK725B1H-102K1	1	332101025R1
PCB3	C617	C-CERA C	CK725B1H-102K1	1	332101025R1
PCB3	C618	C-CERA C	CK725B1H-102K1	1	332101025R1

PCB3	C619	C-CERA C	CK725B1H-102K1	1	332101025R1	
PCB3	C620	C-CERA C	CK725B1H-102K1	1	332101025R1	
PCB3	C621	C-CERA C	CK725B1H-102K1	1	332101025R1	
PCB3	C624	C-CERA C	CK725F1E-104Z1	1	332161040R1	
PCB3	C625	C-CERA C	CK725F1E-104Z1	1	332161040R1	
PCB3	C634	C-CERA C	CC725CH1H-101J1	1	342101014R1	
PCB3	C635	C-CERA C	CC725CH1H-101J1	1	342101014R1	
PCB3	C701	C-CERA C	CK725F1E-104Z1	1	332161040R1	
PCB3	C702	UTSP C	CE04W10V-100M(UTSP)	1	397531017T	
PCB3	C705	UTSP C	CE04W10V-100M(UTSP)	1	397531017T	
PCB3	C706	UTSP C	CE04W16V-470M(UTSP)	1	397544717T	
PCB3	C707	VR C	CE04W16V-220M(VR)	1	394642217T	
PCB3	C708	UTSP C	CE04W10V-100M(UTSP)	1	397531017T	
PCB3	C709	C-CERA C	CK725F1E-104Z1	1	332161040R1	
PCB3	C744	C-CERA C	CK725F1E-104Z1	1	332161040R1	
PCB3	C745	C-CERA C	CK725F1E-104Z1	1	332161040R1	
PCB3	C747	UTSP C	CE04W50V-10M(UTSP)	1	397581007T	
PCB3	C748	UTSP C	CE04W10V-100M(UTSP)	1	397531017T	
PCB3	C751	UTSP C	CE04W50V-1M(UTSP)	1	397580107T	
PCB3	C753	UTSP C	CE04W6.3V-1000M(UTSP)	1	397521027T	
PCB3	C2044	C-CERA C	CK725B1H-102K1	1	332101025R1	<MDD, MDC>
PCB3	C2077	CHIP ELECT C	CEWX50V-10M	1	398181007R2	
PCB3	C2078	CHIP ELECT C	CEWX50V-10M	1	398181007R2	
PCB3	C2079	CHIP ELECT C	CEWX50V-10M	1	398181007R2	
PCB3	C2081	C-CERA C	CC732CH1H-102J	1	347341024R2	
PCB3	C2082	C-CERA C	CC732CH1H-102J	1	347341024R2	
PCB3	C2083	C-CERA C	CK725F1E-104Z1	1	332161040R1	
PCB3	C2084	C-CERA C	CK725F1E-104Z1	1	332161040R1	
PCB3	C2085	C-CERA C	CK725F1E-104Z1	1	332161040R1	
PCB3	C2097	C-CERA C	CK725F1E-104Z1	1	332161040R1	
PCB3	R102	METAL O R	RS1WBJ-22	1	443622204T	
PCB3	R103	METAL O R	RS1/2WBJ-10	1	443521004T	<MDD, MDC>
PCB3	R103	METAL R	RNU1/2WCJ-4.7	1	453530474T	<MPP>

PCB3	R104	C-CARBON R	RN72K1J-000JE	1	435030004R1	<MPP>
PCB3	R105	C-CARBON R	RN72K1J-103JE	1	435031034R1	
PCB3	R106	C-CARBON R	RN72K1J-000JE	1	435030004R1	<MDD, MDC>
PCB3	R107	C-CARBON R	RN72K1J-000JE	1	435030004R1	<MDD, MDC>
PCB3	R108	C-CARBON R	RN72K1J-105JE	1	435031054R1	
PCB3	R109	C-CARBON R	RN72K1J-221JE	1	435032214R1	
PCB3	R110	C-CARBON R	RN72K1J-221JE	1	435032214R1	
PCB3	R111	C-CARBON R	RN72K1J-333JE	1	435033334R1	
PCB3	R131	C-CARBON R	RN72K1J-750JE	1	435037504R1	
PCB3	R132	C-CARBON R	RN72K1J-750JE	1	435037504R1	
PCB3	R133	C-CARBON R	RN72K1J-100JE	1	435031004R1	
PCB3	R134	C-CARBON R	RN72K1J-100JE	1	435031004R1	
PCB3	R135	C-CARBON R	RN72K1J-224JE	1	435032244R1	
PCB3	R136	C-CARBON R	RN72K1J-224JE	1	435032244R1	
PCB3	R137	C-CARBON R	RN72K1J-103JE	1	435031034R1	
PCB3	R138	C-CARBON R	RN72K1J-103JE	1	435031034R1	
PCB3	R139	C-CARBON R	RN72K1J-823JE	1	435038234R1	
PCB3	R140	C-CARBON R	RN72K1J-823JE	1	435038234R1	
PCB3	R141	C-CARBON R	RN72K1J-470JE	1	435034704R1	
PCB3	R142	C-CARBON R	RN72K1J-470JE	1	435034704R1	
PCB3	R151	C-CARBON R	RN72K1J-103JE	1	435031034R1	
PCB3	R152	C-CARBON R	RN72K1J-103JE	1	435031034R1	
PCB3	R153	C-CARBON R	RN72K1J-222JE	1	435032224R1	
PCB3	R171	C-CARBON R	RN72K1J-105JE	1	435031054R1	
PCB3	R173	C-CARBON R	RN72K1J-470JE	1	435034704R1	
PCB3	R301	C-CARBON R	RN72K1J-331JE	1	435033314R1	
PCB3	R302	C-CARBON R	RN72K1J-331JE	1	435033314R1	
PCB3	R303	C-CARBON R	RN72K1J-331JE	1	435033314R1	
PCB3	R304	C-CARBON R	RN72K1J-221JE	1	435032214R1	
PCB3	R305	C-CARBON R	RN72K1J-470JE	1	435034704R1	
PCB3	R306	C-CARBON R	RN72K1J-221JE	1	435032214R1	
PCB3	R307	C-CARBON R	RN72K1J-221JE	1	435032214R1	
PCB3	R308	C-CARBON R	RN72K1J-470JE	1	435034704R1	

PCB3	R309	C-CARBON R	RN72K1J-221JE	1	435032214R1
PCB3	R311	C-CARBON R	RN72K1J-272JE	1	435032724R1
PCB3	R312	C-CARBON R	RN72K1J-470JE	1	435034704R1
PCB3	R313	C-CARBON R	RN72K1J-151JE	1	435031514R1
PCB3	R314	C-CARBON R	RN72K1J-331JE	1	435033314R1
PCB3	R315	C-CARBON R	RN72K1J-470JE	1	435034704R1
PCB3	R316	C-CARBON R	RN72K1J-470JE	1	435034704R1
PCB3	R317	C-CARBON R	RN72K1J-331JE	1	435033314R1
PCB3	R318	C-CARBON R	RN72K1J-331JE	1	435033314R1
PCB3	R319	C-CARBON R	RN72K1J-331JE	1	435033314R1
PCB3	R321	C-CARBON R	RN72K1J-560JE	1	435035604R1
PCB3	R322	C-CARBON R	RN72K1J-560JE	1	435035604R1
PCB3	R323	C-CARBON R	RN72K1J-560JE	1	435035604R1
PCB3	R324	C-CARBON R	RN72K1J-560JE	1	435035604R1
PCB3	R325	C-CARBON R	RN72K1J-392JE	1	435033924R1
PCB3	R326	C-CARBON R	RN72K1J-392JE	1	435033924R1
PCB3	R333	C-CARBON R	RN72K1J-331JE	1	435033314R1
PCB3	R334	C-CARBON R	RN72K1J-331JE	1	435033314R1
PCB3	R336	C-CARBON R	RN72K1J-331JE	1	435033314R1
PCB3	R337	C-CARBON R	RN72K1J-331JE	1	435033314R1
PCB3	R340	C-CARBON R	RN72K1J-000JE	1	435030004R1
PCB3	R341	C-CARBON R	RN72K1J-103JE	1	435031034R1
PCB3	R342	C-CARBON R	RN72K1J-103JE	1	435031034R1
PCB3	R351	C-CARBON R	RN72K1J-103JE	1	435031034R1
PCB3	R352	C-CARBON R	RN72K1J-103JE	1	435031034R1
PCB3	R401	C-CARBON R	RN72K1J-332JE	1	435033324R1
PCB3	R402	C-CARBON R	RN72K1J-332JE	1	435033324R1
PCB3	R403	C-CARBON R	RN72K1J-332JE	1	435033324R1
PCB3	R404	C-CARBON R	RN72K1J-332JE	1	435033324R1
PCB3	R405	C-CARBON R	RN72K1J-332JE	1	435033324R1
PCB3	R406	C-CARBON R	RN72K1J-332JE	1	435033324R1
PCB3	R407	C-CARBON R	RN72K1J-332JE	1	435033324R1
PCB3	R408	C-CARBON R	RN72K1J-332JE	1	435033324R1

PCB3	R411	C-CARBON R	RN72K1J-332JE	1	435033324R1
PCB3	R412	C-CARBON R	RN72K1J-332JE	1	435033324R1
PCB3	R413	C-CARBON R	RN72K1J-332JE	1	435033324R1
PCB3	R414	C-CARBON R	RN72K1J-332JE	1	435033324R1
PCB3	R415	C-CARBON R	RN72K1J-332JE	1	435033324R1
PCB3	R416	C-CARBON R	RN72K1J-332JE	1	435033324R1
PCB3	R417	C-CARBON R	RN72K1J-332JE	1	435033324R1
PCB3	R418	C-CARBON R	RN72K1J-332JE	1	435033324R1
PCB3	R421	C-CARBON R	RN72K1J-471JE	1	435034714R1
PCB3	R422	C-CARBON R	RN72K1J-471JE	1	435034714R1
PCB3	R423	C-CARBON R	RN72K1J-471JE	1	435034714R1
PCB3	R424	C-CARBON R	RN72K1J-471JE	1	435034714R1
PCB3	R425	C-CARBON R	RN72K1J-471JE	1	435034714R1
PCB3	R426	C-CARBON R	RN72K1J-471JE	1	435034714R1
PCB3	R427	C-CARBON R	RN72K1J-471JE	1	435034714R1
PCB3	R428	C-CARBON R	RN72K1J-471JE	1	435034714R1
PCB3	R431	C-CARBON R	RN72K1J-471JE	1	435034714R1
PCB3	R432	C-CARBON R	RN72K1J-471JE	1	435034714R1
PCB3	R433	C-CARBON R	RN72K1J-471JE	1	435034714R1
PCB3	R434	C-CARBON R	RN72K1J-471JE	1	435034714R1
PCB3	R435	C-CARBON R	RN72K1J-471JE	1	435034714R1
PCB3	R436	C-CARBON R	RN72K1J-471JE	1	435034714R1
PCB3	R437	C-CARBON R	RN72K1J-471JE	1	435034714R1
PCB3	R438	C-CARBON R	RN72K1J-471JE	1	435034714R1
PCB3	R441	C-CARBON R	RN72K1J-472JE	1	435034724R1
PCB3	R442	C-CARBON R	RN72K1J-472JE	1	435034724R1
PCB3	R443	C-CARBON R	RN72K1J-472JE	1	435034724R1
PCB3	R444	C-CARBON R	RN72K1J-472JE	1	435034724R1
PCB3	R445	C-CARBON R	RN72K1J-472JE	1	435034724R1
PCB3	R446	C-CARBON R	RN72K1J-472JE	1	435034724R1
PCB3	R447	C-CARBON R	RN72K1J-472JE	1	435034724R1
PCB3	R448	C-CARBON R	RN72K1J-472JE	1	435034724R1
PCB3	R451	C-CARBON R	RN72K1J-472JE	1	435034724R1

PCB3	R452	C-CARBON R	RN72K1J-472JE	1	435034724R1
PCB3	R453	C-CARBON R	RN72K1J-472JE	1	435034724R1
PCB3	R454	C-CARBON R	RN72K1J-472JE	1	435034724R1
PCB3	R455	C-CARBON R	RN72K1J-472JE	1	435034724R1
PCB3	R456	C-CARBON R	RN72K1J-472JE	1	435034724R1
PCB3	R457	C-CARBON R	RN72K1J-472JE	1	435034724R1
PCB3	R458	C-CARBON R	RN72K1J-472JE	1	435034724R1
PCB3	R461	C-CARBON R	RN72K1J-181JE	1	435031814R1
PCB3	R462	C-CARBON R	RN72K1J-181JE	1	435031814R1
PCB3	R463	C-CARBON R	RN72K1J-181JE	1	435031814R1
PCB3	R464	C-CARBON R	RN72K1J-181JE	1	435031814R1
PCB3	R465	C-CARBON R	RN72K1J-181JE	1	435031814R1
PCB3	R466	C-CARBON R	RN72K1J-181JE	1	435031814R1
PCB3	R467	C-CARBON R	RN72K1J-181JE	1	435031814R1
PCB3	R468	C-CARBON R	RN72K1J-181JE	1	435031814R1
PCB3	R471	C-CARBON R	RN72K1J-181JE	1	435031814R1
PCB3	R472	C-CARBON R	RN72K1J-181JE	1	435031814R1
PCB3	R473	C-CARBON R	RN72K1J-181JE	1	435031814R1
PCB3	R474	C-CARBON R	RN72K1J-181JE	1	435031814R1
PCB3	R475	C-CARBON R	RN72K1J-181JE	1	435031814R1
PCB3	R476	C-CARBON R	RN72K1J-181JE	1	435031814R1
PCB3	R477	C-CARBON R	RN72K1J-181JE	1	435031814R1
PCB3	R478	C-CARBON R	RN72K1J-181JE	1	435031814R1
PCB3	R563	C-CARBON R	RN72K1J-221JE	1	435032214R1
PCB3	R564	C-CARBON R	RN72K1J-103JE	1	435031034R1
PCB3	R565	C-CARBON R	RN72K1J-103JE	1	435031034R1
PCB3	R566	C-CARBON R	RN72K1J-103JE	1	435031034R1
PCB3	R567	C-CARBON R	RN72K1J-103JE	1	435031034R1
PCB3	R568	C-CARBON R	RN72K1J-103JE	1	435031034R1
PCB3	R591	C-CARBON R	RN72K1J-220JE	1	435032204R1
PCB3	R592	C-CARBON R	RN72K1J-220JE	1	435032204R1
PCB3	R599	C-CARBON R	RN72K1J-103JE	1	435031034R1
PCB3	R600	C-CARBON R	RN72K1J-470JE	1	435034704R1

PCB3	R601	C-CARBON R	RN72K1J-473JE	1	435034734R1	
PCB3	R604	C-CARBON R	RN72K1J-221JE	1	435032214R1	
PCB3	R605	C-CARBON R	RN72K1J-470JE	1	435034704R1	
PCB3	R606	C-CARBON R	RN72K1J-221JE	1	435032214R1	
PCB3	R607	C-CARBON R	RN72K1J-221JE	1	435032214R1	
PCB3	R608	C-CARBON R	RN72K1J-221JE	1	435032214R1	
PCB3	R609	C-CARBON R	RN72K1J-103JE	1	435031034R1	
PCB3	R610	C-CARBON R	RN72K1J-222JE	1	435032224R1	<MPP>
PCB3	R611	C-CARBON R	RN72K1J-221JE	1	435032214R1	<MDD, MDC>
PCB3	R612	C-CARBON R	RN72K1J-102JE	1	435031024R1	<MPP>
PCB3	R613	C-CARBON R	RN72K1J-221JE	1	435032214R1	
PCB3	R614	C-CARBON R	RN72K1J-105JE	1	435031054R1	
PCB3	R615	C-CARBON R	RN72K1J-103JE	1	435031034R1	
PCB3	R617	C-CARBON R	RN72K1J-103JE	1	435031034R1	
PCB3	R618	C-CARBON R	RN72K1J-221JE	1	435032214R1	
PCB3	R619	C-CARBON R	RN72K1J-102JE	1	435031024R1	<MPP>
PCB3	R620	C-CARBON R	RN72K1J-470JE	1	435034704R1	
PCB3	R622	C-CARBON R	RN72K1J-470JE	1	435034704R1	
PCB3	R623	C-CARBON R	RN72K1J-470JE	1	435034704R1	
PCB3	R625	C-CARBON R	RN72K1J-221JE	1	435032214R1	
PCB3	R626	C-CARBON R	RN72K1J-221JE	1	435032214R1	
PCB3	R627	C-CARBON R	RN72K1J-470JE	1	435034704R1	
PCB3	R628	C-CARBON R	RN72K1J-470JE	1	435034704R1	
PCB3	R629	C-CARBON R	RN72K1J-470JE	1	435034704R1	
PCB3	R630	C-CARBON R	RN72K1J-103JE	1	435031034R1	<MDD, MDC>
PCB3	R631	C-CARBON R	RN72K1J-222JE	1	435032224R1	<MPP>
PCB3	R632	C-CARBON R	RN72K1J-103JE	1	435031034R1	
PCB3	R633	C-CARBON R	RN72K1J-103JE	1	435031034R1	
PCB3	R634	C-CARBON R	RN72K1J-470JE	1	435034704R1	
PCB3	R635	C-CARBON R	RN72K1J-272JE	1	435032724R1	
PCB3	R637	C-CARBON R	RN72K1J-103JE	1	435031034R1	
PCB3	R638	C-CARBON R	RN72K1J-470JE	1	435034704R1	
PCB3	R639	C-CARBON R	RN72K1J-470JE	1	435034704R1	

PCB3	R640	C-CARBON R	RN72K1J-470JE	1	435034704R1	
PCB3	R641	C-CARBON R	RN72K1J-470JE	1	435034704R1	
PCB3	R642	C-CARBON R	RN72K1J-470JE	1	435034704R1	<MDD, MDC>
PCB3	R643	C-CARBON R	RN72K1J-470JE	1	435034704R1	
PCB3	R644	C-CARBON R	RN72K1J-221JE	1	435032214R1	<MDD, MDC>
PCB3	R645	C-CARBON R	RN72K1J-103JE	1	435031034R1	
PCB3	R646	C-CARBON R	RN72K1J-103JE	1	435031034R1	
PCB3	R647	C-CARBON R	RN72K1J-103JE	1	435031034R1	
PCB3	R648	C-CARBON R	RN72K1J-221JE	1	435032214R1	
PCB3	R649	C-CARBON R	RN72K1J-103JE	1	435031034R1	
PCB3	R650	C-CARBON R	RN72K1J-221JE	1	435032214R1	
PCB3	R651	C-CARBON R	RN72K1J-221JE	1	435032214R1	
PCB3	R652	C-CARBON R	RN72K1J-221JE	1	435032214R1	
PCB3	R653	C-CARBON R	RN72K1J-221JE	1	435032214R1	
PCB3	R658	C-CARBON R	RN72K1J-470JE	1	435034704R1	
PCB3	R659	C-CARBON R	RN72K1J-470JE	1	435034704R1	
PCB3	R660	C-CARBON R	RN72K1J-470JE	1	435034704R1	
PCB3	R661	C-CARBON R	RN72K1J-221JE	1	435032214R1	
PCB3	R662	C-CARBON R	RN72K1J-221JE	1	435032214R1	
PCB3	R663	C-CARBON R	RN72K1J-221JE	1	435032214R1	
PCB3	R664	C-CARBON R	RN72K1J-221JE	1	435032214R1	
PCB3	R665	C-CARBON R	RN72K1J-221JE	1	435032214R1	
PCB3	R666	C-CARBON R	RN72K1J-221JE	1	435032214R1	
PCB3	R668	C-CARBON R	RN72K1J-221JE	1	435032214R1	
PCB3	R669	C-CARBON R	RN72K1J-221JE	1	435032214R1	
PCB3	R670	C-CARBON R	RN72K1J-221JE	1	435032214R1	
PCB3	R671	C-CARBON R	RN72K1J-473JE	1	435034734R1	
PCB3	R672	C-CARBON R	RN72K1J-221JE	1	435032214R1	
PCB3	R673	C-CARBON R	RN72K1J-221JE	1	435032214R1	
PCB3	R674	C-CARBON R	RN72K1J-102JE	1	435031024R1	
PCB3	R675	C-CARBON R	RN72K1J-102JE	1	435031024R1	
PCB3	R676	C-CARBON R	RN72K1J-102JE	1	435031024R1	
PCB3	R677	C-CARBON R	RN72K1J-102JE	1	435031024R1	

PCB3	R678	C-CARBON R	RN72K1J-103JE	1	435031034R1	
PCB3	R679	C-CARBON R	RN72K1J-273JE	1	435032734R1	
PCB3	R680	C-CARBON R	RN72K1J-273JE	1	435032734R1	
PCB3	R682	C-CARBON R	RN72K1J-470JE	1	435034704R1	
PCB3	R683	C-CARBON R	RN72K1J-470JE	1	435034704R1	
PCB3	R684	C-CARBON R	RN72K1J-470JE	1	435034704R1	
PCB3	R685	C-CARBON R	RN72K1J-221JE	1	435032214R1	
PCB3	R686	C-CARBON R	RN72K1J-221JE	1	435032214R1	
PCB3	R687	C-CARBON R	RN72K1J-221JE	1	435032214R1	
PCB3	R688	C-CARBON R	RN72K1J-221JE	1	435032214R1	
PCB3	R689	C-CARBON R	RN72K1J-102JE	1	435031024R1	
PCB3	R690	C-CARBON R	RN72K1J-221JE	1	435032214R1	
PCB3	R691	C-CARBON R	RN72K1J-472JE	1	435034724R1	
PCB3	R692	C-CARBON R	RN72K1J-472JE	1	435034724R1	
PCB3	R693	C-CARBON R	RN72K1J-472JE	1	435034724R1	
PCB3	R694	C-CARBON R	RN72K1J-472JE	1	435034724R1	
PCB3	R695	C-CARBON R	RN72K1J-472JE	1	435034724R1	
PCB3	R696	C-CARBON R	RN72K1J-472JE	1	435034724R1	
PCB3	R697	C-CARBON R	RN72K1J-470JE	1	435034704R1	
PCB3	R698	C-CARBON R	RN72K1J-272JE	1	435032724R1	
PCB3	R699	C-CARBON R	RN72K1J-272JE	1	435032724R1	
PCB3	R700	C-CARBON R	RN72K1J-272JE	1	435032724R1	
PCB3	R701	C-CARBON R	RN72K1J-272JE	1	435032724R1	
PCB3	R702	C-CARBON R	RN72K1J-103JE	1	435031034R1	
PCB3	R703	C-CARBON R	RN72K1J-103JE	1	435031034R1	<MPP>
PCB3	R703	C-CARBON R	RN72K1J-333JE	1	435033334R1	<MDD, MDC>
PCB3	R704	C-CARBON R	RN72K1J-103JE	1	435031034R1	<MPP>
PCB3	R704	C-CARBON R	RN72K1J-472JE	1	435034724R1	<MDD, MDC>
PCB3	R705	C-CARBON R	RN72K1J-103JE	1	435031034R1	<MDD, MDC>
PCB3	R705	C-CARBON R	RN72K1J-333JE	1	435033334R1	<MPP>
PCB3	R706	C-CARBON R	RN72K1J-103JE	1	435031034R1	<MPP>
PCB3	R708	C-CARBON R	RN72K1J-000JE	1	435030004R1	
PCB3	R709	C-CARBON R	RN72K1J-103JE	1	435031034R1	<MDD, MDC>

PCB3	R709	C-CARBON R	RN72K1J-333JE	1	435033334R1	<MPP>
PCB3	R710	C-CARBON R	RN72K1J-103JE	1	435031034R1	<MPP>
PCB3	R711	C-CARBON R	RN72K1J-470JE	1	435034704R1	
PCB3	R712	C-CARBON R	RN72K1J-102JE	1	435031024R1	
PCB3	R713	C-CARBON R	RN72K1J-222JE	1	435032224R1	
PCB3	R714	C-CARBON R	RN72K1J-103JE	1	435031034R1	
PCB3	R719	C-CARBON R	RN72K1J-222JE	1	435032224R1	
PCB3	R720	C-CARBON R	RN72K1J-222JE	1	435032224R1	
PCB3	R721	C-CARBON R	RN72K1J-103JE	1	435031034R1	
PCB3	R722	C-CARBON R	RN72K1J-224JE	1	435032244R1	
PCB3	R723	C-CARBON R	RN72K1J-101JE	1	435031014R1	
PCB3	R724	C-CARBON R	RN72K1J-101JE	1	435031014R1	
PCB3	R732	C-CARBON R	RN72K1J-102JE	1	435031024R1	
PCB3	R761	C-CARBON R	RN72K1J-103JE	1	435031034R1	
PCB3	R771	C-CARBON R	RN72K1J-103JE	1	435031034R1	
PCB3	R826	C-CARBON R	RN72K1J-470JE	1	435034704R1	
PCB3	R828	C-CARBON R	RN72K1J-470JE	1	435034704R1	
PCB3	R2040	C-CARBON R	RN72K1J-000JE	1	435030004R1	<MDD, MDC>
PCB3	R2048	C-CARBON R	RN72K1J-220JE	1	435032204R1	
PCB3	R2049	C-CARBON R	RN72K1J-220JE	1	435032204R1	
PCB3	R2054	C-CARBON R	RN72K1J-000JE	1	435030004R1	<MDD, MDC>
PCB3	R2055	C-CARBON R	RN72K1J-000JE	1	435030004R1	<MDD, MDC>
PCB3	R2056	C-CARBON R	RN72K1J-000JE	1	435030004R1	<MDD, MDC>
PCB3	R2070	C-CARBON R	RN72K1J-000JE	1	435030004R1	<MDD, MDC>
PCB3	R2071	C-CARBON R	RN72K1J-000JE	1	435030004R1	<MDD, MDC>
PCB3	R2072	C-CARBON R	RN72K1J-471JE	1	435034714R1	<MDD, MDC>
PCB3	R2073	C-CARBON R	RN72K1J-102JE	1	435031024R1	<MDD, MDC>
PCB3	R2074	C-CARBON R	RN72K1J-000JE	1	435030004R1	<MDD, MDC>
PCB3	R2078	C-CARBON R	RN72K1J-000JE	1	435030004R1	
PCB3	R2079	C-CARBON R	RN72K1J-000JE	1	435030004R1	
PCB3	R2085	C-CARBON R	RN72K1J-000JE	1	435030004R1	
PCB3	R2086	C-CARBON R	RN72K1J-000JE	1	435030004R1	
PCB3	R2087	C-CARBON R	RN72K1J-224JE	1	435032244R1	

PCB3	R2088	C-CARBON R	RN72K1J-224JE	1	435032244R1	
PCB3	R2089	C-CARBON R	RN72K1J-000JE	1	435030004R1	
PCB3	R2091	C-CARBON R	RN72K1J-334JE	1	435033344R1	
PCB3	R2092	C-CARBON R	RN72K1J-000JE	1	435030004R1	
PCB3	R2104	C-CARBON R	RN72K1J-333JE	1	435033334R1	
PCB3	R2105	C-CARBON R	RN72K1J-333JE	1	435033334R1	
PCB3	R2106	C-CARBON R	RN72K1J-333JE	1	435033334R1	
PCB3	R2107	C-CARBON R	RN72K1J-333JE	1	435033334R1	
PCB3	R2108	C-CARBON R	RN72K1J-333JE	1	435033334R1	
PCB3	R2109	C-CARBON R	RN72K1J-333JE	1	435033334R1	
PCB3	R2110	C-CARBON R	RN72K1J-333JE	1	435033334R1	
PCB3	R2111	C-CARBON R	RN72K1J-333JE	1	435033334R1	
PCB3	P101A	SOCKET	NSCT-13P2106	1	25052209	
PCB3	P131	PIN JACK	NPJ-2PDO0626	1	25045847	
PCB3	P131 or	PIN JACK	NPJ-2PDO445	(1)	25045640	
PCB3	P302A	SOCKET	NSCT-15P2195	1	25052298	
PCB3	P303A	SOCKET	NSCT-15P2195	1	25052298	
PCB3	P304A	SOCKET	NSCT-3P2183	1	25052286	
PCB3	P701A	SOCKET	NSCT-33P2126	1	25052229	
PCB3	P704A	PLUG	IMSA-9111B-24	1	25056625	
PCB3	P751A	SOCKET	NSCT-9P2427	1	25052530	
PCB3	P2002	SOCKET	YKF51-5397N	1	25053201	<MDD, MDC>
PCB3	P2004A	PLUG	NPLG-15P0970	1	25056020	
PCB3	P2005A	PLUG	NPLG-15P0970	1	25056020	
PCB3	P2080	SOCKET	NNA1-01-004	1	25053265	
PCB3	A171	TAPE	TAPE(CLOTH-16U)	(1)	29110083	
PCB3	JL101	JUMPER LEAD	JL11 250B	1	---	NSP
PCB3	JL101A	WIRE HOL	NSCT-11P882	1	25051095	
PCB3	JL101B	WIRE TRAP	NPLG-11P594	1	25055632	
PCB3	JL5502B	WIRE TRAP	NPLG-9P592	1	25055630	
PCB3	JL6402B	WIRE TRAP	NPLG-3P586	1	25055624	
PCB3	JL8002B	WIRE TRAP	NPLG-3P586	1	25055624	

PCB4	U36	VIDEO PC BOARD (NAVD-9467-1E / 1F)				
PCB4	U37	SPEAKER TERMINAL PC BOARD (NATRM-9468-1E / 1F)				
PCB4						
PCB4	CIRCUIT NO.	PART NAME	DESCRIPTION	Q'TY	PART NO. (SN)	REMARKS
PCB4	Q3001	IC	AN15880A-VT	1	22242319R3	
PCB4	Q6601	TR	KRC105S	1	2217290R2	
PCB4	Q6601 or	TR	RN1405	(1)	2214500R2	
PCB4	Q6602	TR	KRC105S	1	2217290R2	
PCB4	Q6602 or	TR	RN1405	(1)	2214500R2	
PCB4	Q6603	TR	KRC105S	1	2217290R2	
PCB4	Q6603 or	TR	RN1405	(1)	2214500R2	
PCB4	Q6604	TR	KRC105S	1	2217290R2	
PCB4	Q6604 or	TR	RN1405	(1)	2214500R2	
PCB4	Q9001	TR	2SC2235-Y(TPE6_F)	1	2211654T	
PCB4	Q9001 or	TR	2SC2235-O(TPE6_F)	(1)	2211653T	
PCB4	Q9002	TR	KRC105S	1	2217290R2	
PCB4	Q9002 or	TR	RN1405	(1)	2214500R2	
PCB4	Q9022	IC	78M05(NJM78M05FA)	1	222780055JRC	
PCB4	Q9022 or	IC	78M05AHF(MPC78M05AHF)	(1)	222780055NEC	
PCB4	Q9031	IC	MPC2905BHF	1	222780055DBNE	
PCB4	Q9031A	SCREW	3P+10FN(3BC)	1	82143010GR	
PCB4	Q9031B	HEAT SINK	RAD-140	1	27160471	
PCB4	D3028	C-DIODE	KDS4148U	1	223283R2	
PCB4	D3028 or	C-DIODE	1SS352	(1)	223234R2	
PCB4	D3028 or	C-DIODE	MA2J111	(1)	223279R2	
PCB4	D3029	C-DIODE	KDS4148U	1	223283R2	
PCB4	D3029 or	C-DIODE	1SS352	(1)	223234R2	
PCB4	D3029 or	C-DIODE	MA2J111	(1)	223279R2	
PCB4	D6600	C-DIODE	KDS4148U	1	223283R2	
PCB4	D6600 or	C-DIODE	1SS352	(1)	223234R2	
PCB4	D6600 or	C-DIODE	MA2J111	(1)	223279R2	
PCB4	D6603	C-DIODE	KDS4148U	1	223283R2	
PCB4	D6603 or	C-DIODE	1SS352	(1)	223234R2	

PCB4	D6603 or	C-DIODE	MA2J111	(1)	223279R2	
PCB4	D6605	C-DIODE	KDS4148U	1	223283R2	
PCB4	D6605 or	C-DIODE	1SS352	(1)	223234R2	
PCB4	D6605 or	C-DIODE	MA2J111	(1)	223279R2	
PCB4	D6607	C-DIODE	KDS4148U	1	223283R2	
PCB4	D6607 or	C-DIODE	1SS352	(1)	223234R2	
PCB4	D6607 or	C-DIODE	MA2J111	(1)	223279R2	
PCB4	D9001	DIODE	RL1N4003	1	22380260T	
PCB4	D9002	DIODE	RL1N4003	1	22380260T	
PCB4	D9005	ZENER D	UDZS36B	1	224553600R2	
PCB4	D9011	DIODE	D5SBA20	1	22380130F	
PCB4	D9012	C-DIODE	KDS4148U	1	223283R2	
PCB4	D9012 or	C-DIODE	1SS352	(1)	223234R2	
PCB4	D9012 or	C-DIODE	MA2J111	(1)	223279R2	
PCB4	D9013	DIODE	RL1N4003	1	22380260T	
PCB4	D9014	C-DIODE	KDS4148U	1	223283R2	
PCB4	D9014 or	C-DIODE	1SS352	(1)	223234R2	
PCB4	D9014 or	C-DIODE	MA2J111	(1)	223279R2	
PCB4	D9015	C-DIODE	KDS4148U	1	223283R2	
PCB4	D9015 or	C-DIODE	1SS352	(1)	223234R2	
PCB4	D9015 or	C-DIODE	MA2J111	(1)	223279R2	
PCB4	D9016	ZENER D	UDZS6.2B	1	224550620R2	
PCB4	D9017	C-DIODE	KDS4148U	1	223283R2	
PCB4	D9017 or	C-DIODE	1SS352	(1)	223234R2	
PCB4	D9017 or	C-DIODE	MA2J111	(1)	223279R2	
PCB4	D9022	DIODE	RL1N4003	1	22380260T	
PCB4	D9023	C-DIODE	KDS4148U	1	223283R2	
PCB4	D9023 or	C-DIODE	1SS352	(1)	223234R2	
PCB4	D9023 or	C-DIODE	MA2J111	(1)	223279R2	
PCB4	L6600	S COIL	S-1.3C	1	231176S	<MPP>
PCB4	L6601	S COIL	S-1.3C	1	231176S	<MPP>
PCB4	L6602	S COIL	S-1.3C	1	231176S	<MPP>
PCB4	L6603	S COIL	S-1.3C	1	231176S	<MPP>

PCB4	L6604	S COIL	S-1.3C	1	231176S	<MPP>
PCB4	L6605	S COIL	S-1.3C	1	231176S	<MPP>
PCB4	L6606	S COIL	S-1.3C	1	231176S	<MPP>
PCB4	C3001	VR C	CE04W16V-100M(VR)	1	394641017T	
PCB4	C3002	C-CERA C	CK725F1E-104Z1	1	332161040R1	
PCB4	C3003	UTSP C	CE04W50V-22M(UTSP)	1	397582207T	
PCB4	C3004	VR C	CE04W6.3V-470M(VR)	1	394624717T	
PCB4	C3005	C-CERA C	CK725F1E-104Z1	1	332161040R1	
PCB4	C3006	VR C	CE04W16V-100M(VR)	1	394641017T	
PCB4	C3007	VR C	CE04W6.3V-470M(VR)	1	394624717T	
PCB4	C3008	C-CERA C	CK725F1E-104Z1	1	332161040R1	
PCB4	C3010	C-CERA C	CK725F1E-104Z1	1	332161040R1	
PCB4	C3011	VR C	CE04W6.3V-470M(VR)	1	394624717T	
PCB4	C3012	C-CERA C	CK725F1E-104Z1	1	332161040R1	
PCB4	C3013	VR C	CE04W16V-100M(VR)	1	394641017T	
PCB4	C3014	C-CERA C	CK725F1E-104Z1	1	332161040R1	
PCB4	C3015	C-CERA C	CK725F1E-104Z1	1	332161040R1	
PCB4	C3017	VR C	CE04W6.3V-470M(VR)	1	394624717T	
PCB4	C3018	VR C	CE04W6.3V-470M(VR)	1	394624717T	
PCB4	C3019	C-CERA C	CK725F1E-104Z1	1	332161040R1	
PCB4	C3021	VR C	CE04W6.3V-470M(VR)	1	394624717T	
PCB4	C3022	VR C	CE04W16V-100M(VR)	1	394641017T	
PCB4	C3023	C-CERA C	CK725F1E-104Z1	1	332161040R1	
PCB4	C3024	VR C	CE04W6.3V-470M(VR)	1	394624717T	
PCB4	C3030	C-CERA C	CK725B1H-102K1	1	332101025R1	
PCB4	C3031	C-CERA C	CK725B1H-102K1	1	332101025R1	
PCB4	C3032	C-CERA C	CK725B1H-102K1	1	332101025R1	
PCB4	C3033	UTSP C	CE04W50V-10M(UTSP)	1	397581007T	
PCB4	C3034	UTSP C	CE04W50V-10M(UTSP)	1	397581007T	
PCB4	C3035	C-CERA C	CK725F1E-104Z1	1	332161040R1	
PCB4	C3036	UTSP C	CE04W50V-10M(UTSP)	1	397581007T	
PCB4	C3037	UTSP C	CE04W50V-10M(UTSP)	1	397581007T	
PCB4	C3038	C-CERA C	CK725F1E-104Z1	1	332161040R1	

PCB4	C3039	C-CERA C	CK725B1H-102K1	1	332101025R1	
PCB4	C3040	UTSP C	CE04W50V-10M(UTSP)	1	397581007T	
PCB4	C3041	UTSP C	CE04W50V-10M(UTSP)	1	397581007T	
PCB4	C3042	C-CERA C	CK725F1E-104Z1	1	332161040R1	
PCB4	C3043	C-CERA C	CK725B1H-102K1	1	332101025R1	
PCB4	C3044	UTSP C	CE04W50V-10M(UTSP)	1	397581007T	
PCB4	C3045	UTSP C	CE04W50V-10M(UTSP)	1	397581007T	
PCB4	C3046	UTSP C	CE04W50V-10M(UTSP)	1	397581007T	
PCB4	C3047	UTSP C	CE04W50V-10M(UTSP)	1	397581007T	
PCB4	C3048	UTSP C	CE04W50V-10M(UTSP)	1	397581007T	
PCB4	C3049	UTSP C	CE04W50V-10M(UTSP)	1	397581007T	
PCB4	C3050	C-CERA C	CK725B1H-102K1	1	332101025R1	
PCB4	C3061	UTSP C	CE04W50V-10M(UTSP)	1	397581007T	
PCB4	C3062	C-CERA C	CC725CH1H-101J1	1	342101014R1	
PCB4	C3063	C-CERA C	CC725CH1H-101J1	1	342101014R1	
PCB4	C3064	C-CERA C	CC725CH1H-101J1	1	342101014R1	
PCB4	C3065	C-CERA C	CC725CH1H-101J1	1	342101014R1	
PCB4	C3066	C-CERA C	CC725CH1H-101J1	1	342101014R1	
PCB4	C3067	C-CERA C	CC725CH1H-101J1	1	342101014R1	
PCB4	C3068	C-CERA C	CC725CH1H-470J1	1	342104704R1	
PCB4	C3069	C-CERA C	CC725CH1H-470J1	1	342104704R1	
PCB4	C3070	C-CERA C	CC725CH1H-470J1	1	342104704R1	
PCB4	C6600	TF C	ECQ-B50V-103J	1	374721034T	
PCB4	C6602	TF C	ECQ-B50V-103J	1	374721034T	
PCB4	C6603	TF C	ECQ-B50V-103J	1	374721034T	
PCB4	C6605	TF C	ECQ-B50V-103J	1	374721034T	
PCB4	C6607	TF C	ECQ-B50V-103J	1	374721034T	
PCB4	C6640	TF C	ECQ-B50V-103J	1	374721034T	<MPP>
PCB4	C6641	TF C	ECQ-B50V-103J	1	374721034T	<MPP>
PCB4	C6642	TF C	ECQ-B50V-103J	1	374721034T	<MPP>
PCB4	C6643	TF C	ECQ-B50V-103J	1	374721034T	<MPP>
PCB4	C6644	TF C	ECQ-B50V-103J	1	374721034T	<MPP>
PCB4	C6645	TF C	ECQ-B50V-103J	1	374721034T	<MPP>

PCB4	C6646	TF C	ECQ-B50V-103J	1	374721034T	<MPP>
PCB4	C6650	TF C	ECQ-B50V-102J	1	374721024T	<MPP>
PCB4	C6651	TF C	ECQ-B50V-102J	1	374721024T	<MPP>
PCB4	C6652	TF C	ECQ-B50V-102J	1	374721024T	<MPP>
PCB4	C6653	TF C	ECQ-B50V-102J	1	374721024T	<MPP>
PCB4	C6654	TF C	ECQ-B50V-102J	1	374721024T	<MPP>
PCB4	C6655	TF C	ECQ-B50V-102J	1	374721024T	<MPP>
PCB4	C6656	TF C	ECQ-B50V-102J	1	374721024T	<MPP>
PCB4	C9001	VR C	CE04W63V-470M(VR)	1	394674717S	
PCB4	C9005	UTSP C	CE04W50V 47M(UTSP)	1	397584707T	
PCB4	C9006	C-CERA C	CK725F1E-104Z1	1	332161040R1	
PCB4	C9011	VR C	CE04W16V-10000M(VR)	1	394641037S	
PCB4	C9012	TF C	ECQ-V50V-334J	1	374723344T	
PCB4	C9013	UTSP C	CE04W50V-2.2M(UTSP)	1	397580227T	
PCB4	C9014	UTSP C	CE04W50V-1M(UTSP)	1	397580107T	
PCB4	C9023	UTSP C	CE04W50V-10M(UTSP)	1	397581007T	
PCB4	C9025	VR C	CE04W6.3V-470M(VR)	1	394624717T	
PCB4	C9030	UTSP C	CE04W25V-220M(UTSP)	1	397552217T	
PCB4	C9031	C-CERA C	CK725F1E-104Z1	1	332161040R1	
PCB4	C9032	VR C	CE04W6.3V-470M(VR)	1	394624717T	
PCB4	R3001	C-CARBON R	RN72K1J-000JE	1	435030004R1	
PCB4	R3002	C-CARBON R	RN72K1J-000JE	1	435030004R1	
PCB4	R3003	C-CARBON R	RN72K1J-000JE	1	435030004R1	
PCB4	R3011	C-CARBON R	RN72K1J-750JE	1	435037504R1	
PCB4	R3012	C-CARBON R	RN72K1J-750JE	1	435037504R1	
PCB4	R3013	C-CARBON R	RN72K1J-750JE	1	435037504R1	
PCB4	R3014	C-CARBON R	RN72K1J-750JE	1	435037504R1	
PCB4	R3015	C-CARBON R	RN72K1J-750JE	1	435037504R1	
PCB4	R3016	C-CARBON R	RN72K1J-750JE	1	435037504R1	
PCB4	R3017	C-CARBON R	RN72K1J-750JE	1	435037504R1	
PCB4	R3018	C-CARBON R	RN72K1J-750JE	1	435037504R1	
PCB4	R3019	C-CARBON R	RN72K1J-750JE	1	435037504R1	
PCB4	R3020	C-CARBON R	RN72K1J-750JE	1	435037504R1	

PCB4	R3021	C-CARBON R	RN72K1J-750JE	1	435037504R1
PCB4	R3022	C-CARBON R	RN72K1J-750JE	1	435037504R1
PCB4	R3023	C-CARBON R	RN72K1J-750JE	1	435037504R1
PCB4	R3024	C-CARBON R	RN72K1J-750JE	1	435037504R1
PCB4	R3025	C-CARBON R	RN72K1J-750JE	1	435037504R1
PCB4	R3026	C-CARBON R	RN72K1J-750JE	1	435037504R1
PCB4	R3027	C-CARBON R	RN72K1J-750JE	1	435037504R1
PCB4	R3028	C-CARBON R	RN72K1J-750JE	1	435037504R1
PCB4	R3029	C-CARBON R	RN72K1J-750JE	1	435037504R1
PCB4	R3030	C-CARBON R	RN72K1J-750JE	1	435037504R1
PCB4	R3031	C-CARBON R	RN72K1J-750JE	1	435037504R1
PCB4	R3038	METAL R	RNU1/2WCJ-1	1	453530104T
PCB4	R3041	C-CARBON R	RN72K1J-750JE	1	435037504R1
PCB4	R3042	C-CARBON R	RN72K1J-750JE	1	435037504R1
PCB4	R3043	C-CARBON R	RN72K1J-750JE	1	435037504R1
PCB4	R3050	C-CARBON R	RN72K1J-000JE	1	435030004R1
PCB4	R3051	C-CARBON R	RN72K1J-000JE	1	435030004R1
PCB4	R3052	C-CARBON R	RN72K1J-000JE	1	435030004R1
PCB4	R3053	C-CARBON R	RN72K1J-000JE	1	435030004R1
PCB4	R3054	C-CARBON R	RN72K1J-000JE	1	435030004R1
PCB4	R3055	C-CARBON R	RN72K1J-000JE	1	435030004R1
PCB4	R3056	C-CARBON R	RN72K1J-000JE	1	435030004R1
PCB4	R3057	C-CARBON R	RN72K1J-000JE	1	435030004R1
PCB4	R3058	C-CARBON R	RN72K1J-000JE	1	435030004R1
PCB4	R3059	C-CARBON R	RN72K1J-000JE	1	435030004R1
PCB4	R3060	C-CARBON R	RN72K1J-000JE	1	435030004R1
PCB4	R3061	C-CARBON R	RN72K1J-000JE	1	435030004R1
PCB4	R3062	C-CARBON R	RN72K1J-000JE	1	435030004R1
PCB4	R3063	C-CARBON R	RN72K1J-000JE	1	435030004R1
PCB4	R3066	C-CARBON R	RN72K1J-000JE	1	435030004R1
PCB4	R3067	C-CARBON R	RN72K1J-000JE	1	435030004R1
PCB4	R3068	C-CARBON R	RN72K1J-000JE	1	435030004R1
PCB4	R3069	C-CARBON R	RN72K1J-000JE	1	435030004R1

PCB4	R3070	C-CARBON R	RN72K1J-000JE	1	435030004R1	
PCB4	R3071	C-CARBON R	RN72K1J-000JE	1	435030004R1	
PCB4	R3072	C-CARBON R	RN72K1J-000JE	1	435030004R1	
PCB4	R3073	C-CARBON R	RN72K1J-000JE	1	435030004R1	
PCB4	R3074	C-CARBON R	RN72K1J-000JE	1	435030004R1	
PCB4	R3075	C-CARBON R	RN72K1J-000JE	1	435030004R1	
PCB4	R3089	C-CARBON R	RN72K1J-750JE	1	435037504R1	
PCB4	R6600	C-CARBON R	RN72K2E-220JE	1	435222204R1	<MPP>
PCB4	R6601	C-CARBON R	RN72K2E-220JE	1	435222204R1	<MPP>
PCB4	R6602	C-CARBON R	RN72K2E-220JE	1	435222204R1	<MPP>
PCB4	R6603	C-CARBON R	RN72K2E-220JE	1	435222204R1	<MPP>
PCB4	R6604	C-CARBON R	RN72K2E-220JE	1	435222204R1	<MPP>
PCB4	R6605	C-CARBON R	RN72K2E-220JE	1	435222204R1	<MPP>
PCB4	R6606	C-CARBON R	RN72K2E-220JE	1	435222204R1	<MPP>
PCB4	R6610	C-CARBON R	RN72K2E-220JE	1	435222204R1	<MPP>
PCB4	R6611	C-CARBON R	RN72K2E-220JE	1	435222204R1	<MPP>
PCB4	R6612	C-CARBON R	RN72K2E-220JE	1	435222204R1	<MPP>
PCB4	R6613	C-CARBON R	RN72K2E-220JE	1	435222204R1	<MPP>
PCB4	R6614	C-CARBON R	RN72K2E-220JE	1	435222204R1	<MPP>
PCB4	R6615	C-CARBON R	RN72K2E-220JE	1	435222204R1	<MPP>
PCB4	R6616	C-CARBON R	RN72K2E-220JE	1	435222204R1	<MPP>
PCB4	R6690	METAL O R	RS1/2WBJ-33	1	443523304T	
PCB4	R6691	METAL O R	RS1/2WBJ-390	1	443523914T	
PCB4	R6692	METAL O R	RS1/2WBJ-390	1	443523914T	
PCB4	R6693	C-CARBON R	RN72K1J-000JE	1	435030004R1	
PCB4	R9001	METAL O R	RS1WBJ-220	1	443622214T	
PCB4	R9002	C-CARBON R	RN72K1J-822JE	1	435038224R1	
PCB4	R9003	C-CARBON R	RN72K1J-822JE	1	435038224R1	
PCB4	R9004	C-CARBON R	RN72K1J-333JE	1	435033334R1	
PCB4	R9011	METAL R	RNU1/2WCJ-4.7	1	453530474T	
PCB4	R9012	METAL R	RNU1/2WCJ-1	1	453530104T	
PCB4	R9013	METAL R	RNU1/2WCJ-1	1	453530104T	
PCB4	R9014	C-CARBON R	RN72K1J-104JE	1	435031044R1	

PCB4	R9029	METAL R	RNU1WCJ-0.22	1	453632294T
PCB4	R9030	METAL O R	RS2WBJ-22	1	442722204F
PCB4	R9031	METAL R	RNU2WCJ-3.3	1	452730334F
PCB4	R9032	METAL R	RNU2WCJ-3.3	1	452730334F
PCB4	R9033	METAL R	RNU1/2WCJ-1	1	453530104T
PCB4	R9035	METAL R	RNU1/2WCJ-1	1	453530104T
PCB4	RL6600	RELAY	NRL-2P5A-DC24-129	1	25065563A
PCB4	RL6600 or	RELAY	NRL-2P5A-DC24-158	(1)	25065618
PCB4	RL6600 or	RELAY	NRL-2P5A-DC24-193	(1)	25065703
PCB4	RL6602	RELAY	NRL-2P5A-DC24-129	1	25065563A
PCB4	RL6602 or	RELAY	NRL-2P5A-DC24-158	(1)	25065618
PCB4	RL6602 or	RELAY	NRL-2P5A-DC24-193	(1)	25065703
PCB4	RL6603	RELAY	NRL-2P5A-DC24-129	1	25065563A
PCB4	RL6603 or	RELAY	NRL-2P5A-DC24-158	(1)	25065618
PCB4	RL6603 or	RELAY	NRL-2P5A-DC24-193	(1)	25065703
PCB4	RL6605	RELAY	NRL-2P5A-DC24-129	1	25065563A
PCB4	RL6605 or	RELAY	NRL-2P5A-DC24-158	(1)	25065618
PCB4	RL6605 or	RELAY	NRL-2P5A-DC24-193	(1)	25065703
PCB4	RL6607	RELAY	NRL-2P5A-DC24-129	1	25065563A
PCB4	RL6607 or	RELAY	NRL-2P5A-DC24-158	(1)	25065618
PCB4	RL6607 or	RELAY	NRL-2P5A-DC24-193	(1)	25065703
PCB4	P2004B	SOCKET	NSCT-15P2195	1	25052298
PCB4	P2005B	SOCKET	NSCT-15P2195	1	25052298
PCB4	P3001	PIN JACK	NPJ-10PDBY621	1	25045842
PCB4	P3001 or	PIN JACK	NPJ-10PDBY478	(1)	25045681
PCB4	P3002	PIN JACK	NPJ-5PDBY622	1	25045843
PCB4	P3002 or	PIN JACK	NPJ-5PDBY479	(1)	25045682
PCB4	P3003	PIN JACK	NPJ-10PDBY621	1	25045842
PCB4	P3003 or	PIN JACK	NPJ-10PDBY478	(1)	25045681
PCB4	P3005	PIN JACK	NPJ-9PDGLRGLRGLR563	1	25045781
PCB4	P3005 or	PIN JACK	NPJ-9PDGLR519	(1)	25045731
PCB4	<Note>				
PCB4	Ref No. P6601 - P6604				

PCB4	There are the following two types of colors of the speaker terminal of HT-R560 by the specification change.					
PCB4	Type-A					
PCB4	Color ---> FL : Red-Black, FR : Red-Black, C : Red-Black, SL : Red-Black, SR : Red-Black, SBL : Red-Black, SBR : Red-Black					
PCB4	P6601	TRM	NTM-2PDMCR400	1	25060472	
PCB4	P6602	TRM	NTM-4PDMNRR420	1	25060492	
PCB4	P6603	TRM	NTM-4PDMNRR420	1	25060492	
PCB4	P6604	TRM	NTM-4PDMNRR420	1	25060492	
PCB4	Type-B					
PCB4	Color ---> FL : White-Black, FR : Red-Black, C : Green-Black, SL : Blue-Black, SR : Gray-Black, SBL : Brown-Black, SBR : Tan-Black					
PCB4	P6601	TRM	NTM-6PDMCWRG410	1	25060482	
PCB4	P6602	NONE	---			
PCB4	P6603	TRM	NTM-8PDMCNTLE411	1	25060483	
PCB4	P6604	NONE	---			
PCB4	E9001	TRM-423(SCREW)	ST3	1	25060495	
PCB4	JL6600B	SOCKET	NSCT-7P99	1	25050271	
PCB4	JL6603B	SOCKET	NSCT-9P101	1	25050273	
PCB4	JL6604B	SOCKET	NSCT-5P97	1	25050269	
PCB4	JL6605B	SOCKET	NSCT-5P97	1	25050269	
PCB4	JL8001	JUMPER LEAD	JL5 200B(6-6)	1	---	NSP
PCB4	JL8001A	WIRE HOL	NSCT-5P876	1	25051089	
PCB4	JL8002	JUMPER LEAD	JL3 150 B(6-6)	1	---	NSP
PCB4	JL8002A	WIRE HOL	NSCT-3P874	1	25051087	
PCB4	JL901B	WIRE TRAP	NPLG-5P588	1	25055626	
PCB4	JL9101B	SOCKET	NSCT-7P99	1	25050271	
PCB4	JL9102	JUMPER LEAD	JL7 150 UL2651#24	1	---	NSP
PCB4	JL9102A	WIRE HOL	NSCT-7P878	1	25051091	
PCB4	JL9102B	WIRE HOL	NSCT-7P878	1	25051091	
PCB5	U42 HDMI PC BOARD (NAHDM-9475-1A)					
PCB5						
PCB5	CIRCUIT NO.	PART NAME	DESCRIPTION	Q'TY	PART NO. (SN)	REMARKS
PCB5	Q201	IC	D788E001BRFP266	1	22242502R3	NSP
PCB5	Q202	IC	TC7WU04FU(Te12L_F)	1	22240935R2	

PCB5	Q281	IC	M12L64164A-7TG	1	22242441R3
PCB5	Q281 or	IC	K4S641632K-UC60	(1)	22242462R2
PCB5	Q282	IC (DSP ROM)	ES29LV160ET-70TG (0271)	1	222W0069R302716
PCB5	Q282 or	IC (DSP ROM)	S29AL016D70TFI010 (0271)	(1)	222W0063R302716
PCB5	Q8001	IC	TMDS341APFCR	1	22242491R2
PCB5	Q8002	IC	TA48033AF(TE16L_NQ)	1	22278033DR2TO
PCB5	Q8002 or	IC	TA48033BF(TE16L_NQ)	1	22278033DBR2TO
PCB5	Q8002 or	IC	BA33BC0FP	(1)	22278033DR2RH
PCB5	Q8002 or	IC	NJM2391DL1-33	(1)	22278033DR2JR
PCB5	Q8003	IC	S-812C50BUC-C5ET2G	1	22242407R2
PCB5	Q8004	TR	DTC114TKA	1	2216670R2
PCB5	Q8005	TR	DTC114TKA	1	2216670R2
PCB5	Q8006	IC	SI8008TM	1	22242323R2
PCB5	Q8007	IC	BD7820	1	22242300R2
PCB5	Q8008	IC	TA48033AF(TE16L_NQ)	1	22278033DR2TO
PCB5	Q8008 or	IC	BA33BC0FP	(1)	22278033DR2RH
PCB5	Q8008 or	IC	NJM2391DL1-33	(1)	22278033DR2JR
PCB5	Q8009	TR	DTC114TKA	1	2216670R2
PCB5	D8001	C-DIODE	CRS09(TE85L_Q)	1	223274R2
PCB5	D8001 or	DIODE	RB070M-30	(1)	22380361R2
PCB5	D8002	C-DIODE	KDS4148U	1	223283R2
PCB5	D8002 or	C-DIODE	1SS352	(1)	223234R2
PCB5	D8002 or	C-DIODE	MA2J111	(1)	223279R2
PCB5	D8003	C-DIODE	ISR154-400	1	22380284R2
PCB5	D8004	C-DIODE	KDS4148U	1	223283R2
PCB5	D8004 or	C-DIODE	1SS352	(1)	223234R2
PCB5	D8004 or	C-DIODE	MA2J111	(1)	223279R2
PCB5	D8006	C-DIODE	KDS4148U	1	223283R2
PCB5	D8006 or	C-DIODE	1SS352	(1)	223234R2
PCB5	D8006 or	C-DIODE	MA2J111	(1)	223279R2
PCB5	D8007	C-DIODE	KDS4148U	1	223283R2
PCB5	D8007 or	C-DIODE	1SS352	(1)	223234R2
PCB5	D8007 or	C-DIODE	MA2J111	(1)	223279R2

PCB5	X202	CRYSTAL	HC-49USSMD17.734MHz	1	3010442R2
PCB5	X202A	IB CUSHION	W15*3t TAPE	1	28141585
PCB5	L201	CHOKE COIL	BLM21PG221SN1	1	230949R2
PCB5	L202	CHOKE COIL	BLM21PG221SN1	1	230949R2
PCB5	L203	C-CARBON R	RN72K1J-000JE	1	435030004R1
PCB5	L204	EMIFIL	BK1608LM182-T	1	230958R1
PCB5	L205	CHOKE COIL	LBC2518T470M	1	231364M470R2
PCB5	L241	EMIFIL	ACF451832-333-T	1	230978R2
PCB5	L282	CHOKE COIL	BLM21PG221SN1	1	230949R2
PCB5	L312	EMIFIL	BK1608LM182-T	1	230958R1
PCB5	L8001	C-R NET	MNR12E0APJ000	1	43464900002R2
PCB5	L8002	C-R NET	MNR12E0APJ000	1	43464900002R2
PCB5	L8003	C-R NET	MNR12E0APJ000	1	43464900002R2
PCB5	L8004	C-R NET	MNR12E0APJ000	1	43464900002R2
PCB5	L8007	CHOKE COIL	BLM21PG221SN1	1	230949R2
PCB5	L8008	CHOKE COIL	LBC2518T4R7M	1	231364M047R2
PCB5	L8014	CHOKE COIL	NCH-2541	1	231363K470A
PCB5	L8014 or	COIL	0182-7310-470K-RB	(1)	231389
PCB5	L8015	CHOKE COIL	BLM21PG221SN1	1	230949R2
PCB5	C201	C-CERA C	CK725F1E-104Z1	1	332161040R1
PCB5	C202	C-CERA C	CK725F1E-104Z1	1	332161040R1
PCB5	C203	C-CERA C	CK725F1E-104Z1	1	332161040R1
PCB5	C204	C-CERA C	CK725F1E-104Z1	1	332161040R1
PCB5	C205	C-CERA C	CK725F1E-104Z1	1	332161040R1
PCB5	C206	C-CERA C	CK725F1E-104Z1	1	332161040R1
PCB5	C207	C-CERA C	CK725F1E-104Z1	1	332161040R1
PCB5	C208	C-CERA C	CK725F1E-104Z1	1	332161040R1
PCB5	C209	C-CERA C	CK725F1E-104Z1	1	332161040R1
PCB5	C211	C-CERA C	CK725F1E-104Z1	1	332161040R1
PCB5	C212	C-CERA C	CK725F1E-104Z1	1	332161040R1
PCB5	C213	C-CERA C	CK725F1E-104Z1	1	332161040R1
PCB5	C214	C-CERA C	CK725F1E-104Z1	1	332161040R1
PCB5	C215	C-CERA C	CK725F1E-104Z1	1	332161040R1

PCB5	C216	C-CERA C	CK725F1E-104Z1	1	332161040R1
PCB5	C217	C-CERA C	CK725F1E-104Z1	1	332161040R1
PCB5	C218	CHIP ELECT C	CEWX4V-220M	1	3981G2217R2
PCB5	C219	C-CERA C	CK725F1E-104Z1	1	332161040R1
PCB5	C221	C-CERA C	CK725F1E-104Z1	1	332161040R1
PCB5	C222	C-CERA C	CK725F1E-104Z1	1	332161040R1
PCB5	C223	C-CERA C	CK725F1E-104Z1	1	332161040R1
PCB5	C224	C-CERA C	CK725F1E-104Z1	1	332161040R1
PCB5	C225	C-CERA C	CK725F1E-104Z1	1	332161040R1
PCB5	C226	C-CERA C	CK725F1E-104Z1	1	332161040R1
PCB5	C227	C-CERA C	CK725F1E-104Z1	1	332161040R1
PCB5	C228	C-CERA C	CK725F1E-104Z1	1	332161040R1
PCB5	C229	C-CERA C	CK725F1E-104Z1	1	332161040R1
PCB5	C230	C-CERA C	CK725F1E-104Z1	1	332161040R1
PCB5	C231	C-CERA C	CK725F1E-104Z1	1	332161040R1
PCB5	C232	C-CERA C	CK725F1E-104Z1	1	332161040R1
PCB5	C233	C-CERA C	CK725F1E-104Z1	1	332161040R1
PCB5	C234	C-CERA C	CK725F1E-104Z1	1	332161040R1
PCB5	C235	CHIP ELECT C	CEWX4V-220M	1	3981G2217R2
PCB5	C236	C-CERA C	CK725F1E-104Z1	1	332161040R1
PCB5	C237	CHIP ELECT C	CEWX4V-100M	1	3981G1017R2
PCB5	C238	C-CERA C	CC725CH1H-060D1	1	342100602R1
PCB5	C239	C-CERA C	CC725CH1H-060D1	1	342100602R1
PCB5	C241	CHIP ELECT C	CEWX4V-220M	1	3981G2217R2
PCB5	C242	C-CERA C	CK725F1E-104Z1	1	332161040R1
PCB5	C243	C-CERA C	CC725CH1H-101J1	1	342101014R1
PCB5	C245	C-CERA C	CK725F1E-104Z1	1	332161040R1
PCB5	C246	C-CERA C	CK725F1E-104Z1	1	332161040R1
PCB5	C281	CHIP ELECT C	CEWX4V-220M	1	3981G2217R2
PCB5	C282	C-CERA C	CK725F1E-104Z1	1	332161040R1
PCB5	C283	C-CERA C	CC725CH1H-102J1	1	342101024R1
PCB5	C284	CHIP ELECT C	CEWX4V-220M	1	3981G2217R2
PCB5	C285	C-CERA C	CK725F1E-104Z1	1	332161040R1

PCB5	C286	C-CERA C	CK725F1E-104Z1	1	332161040R1
PCB5	C287	C-CERA C	CK725F1E-104Z1	1	332161040R1
PCB5	C288	C-CERA C	CK725F1E-104Z1	1	332161040R1
PCB5	C289	C-CERA C	CK725F1E-104Z1	1	332161040R1
PCB5	C290	C-CERA C	CK725F1E-104Z1	1	332161040R1
PCB5	C291	C-CERA C	CK725F1E-104Z1	1	332161040R1
PCB5	C295	C-CERA C	CK725F1E-104Z1	1	332161040R1
PCB5	C8001	C-CERA C	CK725B1H-103K1	1	332101035R1
PCB5	C8002	C-CERA C	CK725B1H-103K1	1	332101035R1
PCB5	C8003	C-CERA C	CK725B1H-103K1	1	332101035R1
PCB5	C8004	C-CERA C	CK725B1H-103K1	1	332101035R1
PCB5	C8005	C-CERA C	CK725B1H-103K1	1	332101035R1
PCB5	C8006	C-CERA C	CK725B1H-103K1	1	332101035R1
PCB5	C8007	C-CERA C	CK725B1H-103K1	1	332101035R1
PCB5	C8008	C-CERA C	CK725B1H-103K1	1	332101035R1
PCB5	C8009	C-CERA C	CK725B1H-103K1	1	332101035R1
PCB5	C8010	C-CERA C	CK725B1H-103K1	1	332101035R1
PCB5	C8011	C-CERA C	CK725B1H-103K1	1	332101035R1
PCB5	C8012	C-CERA C	CK725B1H-103K1	1	332101035R1
PCB5	C8013	C-CERA C	CK725F1E-104Z1	1	332161040R1
PCB5	C8014	C-CERA C	CK725F1E-104Z1	1	332161040R1
PCB5	C8015	CHIP ELECT C	CEWX4V-220M	1	3981G2217R2
PCB5	C8016	CHIP ELECT C	CEWX16V-100M	1	398141017R2
PCB5	C8017	C-CERA C	CK725F1E-104Z1	1	332161040R1
PCB5	C8018	CHIP ELECT C	CEWX16V-22M	1	398142207R2
PCB5	C8019	C-CERA C	CK725B1H-103K1	1	332101035R1
PCB5	C8020	C-CERA C	CK725B1H-103K1	1	332101035R1
PCB5	C8021	C-CERA C	CK725B1H-103K1	1	332101035R1
PCB5	C8022	C-CERA C	CK725F1E-104Z1	1	332161040R1
PCB5	C8066	CHIP ELECT C	CEWX4V-100M	1	3981G1017R2
PCB5	C8067	CHIP ELECT C	CEWX16V-10M	1	398141007R2
PCB5	C8068	C-CERA C	CK725F1E-104Z1	1	332161040R1
PCB5	C8071	C-CERA C	CK725F1E-104Z1	1	332161040R1

PCB5	C8072	CHIP ELECT C	CEWX4V-100M	1	3981G1017R2
PCB5	C8073	CHIP ELECT C	CEWX16V-10M	1	398141007R2
PCB5	C8074	C-CERA C	CK725F1E-104Z1	1	332161040R1
PCB5	C8075	CD C	UCD1A471MNL1GS	1	396634717R2
PCB5	C8076	CD C	UCD1E221MNL1GS	1	396652217R2
PCB5	C8077	C-CERA C	CK725B1H-223K1	1	332102235R1
PCB5	C8078	C-CERA C	CK725F1E-104Z1	1	332161040R1
PCB5	C8198	CD C	UCD1E221MNL1GS	1	396652217R2
PCB5	C8199	CD C	UCD1E221MNL1GS	1	396652217R2
PCB5	R200	C-CARBON R	RN72K1J-221JE	1	435032214R1
PCB5	R201	C-CARBON R	RN72K1J-103JE	1	435031034R1
PCB5	R202	C-CARBON R	RN72K1J-103JE	1	435031034R1
PCB5	R203	C-CARBON R	RN72K1J-103JE	1	435031034R1
PCB5	R204	C-CARBON R	RN72K1J-103JE	1	435031034R1
PCB5	R205	C-CARBON R	RN72K1J-103JE	1	435031034R1
PCB5	R206	C-CARBON R	RN72K1J-221JE	1	435032214R1
PCB5	R207	C-CARBON R	RN72K1J-221JE	1	435032214R1
PCB5	R208	C-CARBON R	RN72K1J-103JE	1	435031034R1
PCB5	R209	C-CARBON R	RN72K1J-470JE	1	435034704R1
PCB5	R221	C-CARBON R	RN72K1J-750JE	1	435037504R1
PCB5	R250	C-CARBON R	RN72K1J-221JE	1	435032214R1
PCB5	R251	C-CARBON R	RN72K1J-221JE	1	435032214R1
PCB5	R252	C-CARBON R	RN72K1J-331JE	1	435033314R1
PCB5	R253	C-CARBON R	RN72K1J-470JE	1	435034704R1
PCB5	R254	C-CARBON R	RN72K1J-470JE	1	435034704R1
PCB5	R255	C-CARBON R	RN72K1J-470JE	1	435034704R1
PCB5	R256	C-CARBON R	RN72K1J-470JE	1	435034704R1
PCB5	R257	C-CARBON R	RN72K1J-470JE	1	435034704R1
PCB5	R258	C-CARBON R	RN72K1J-103JE	1	435031034R1
PCB5	R259	C-CARBON R	RN72K1J-331JE	1	435033314R1
PCB5	R260	C-CARBON R	RN72K1J-470JE	1	435034704R1
PCB5	R261	C-CARBON R	RN72K1J-470JE	1	435034704R1
PCB5	R262	C-CARBON R	RN72K1J-331JE	1	435033314R1

PCB5	R263	C-CARBON R	RN72K1J-331JE	1	435033314R1
PCB5	R264	C-CARBON R	RN72K1J-331JE	1	435033314R1
PCB5	R265	C-CARBON R	RN72K1J-331JE	1	435033314R1
PCB5	R266	C-CARBON R	RN72K1J-331JE	1	435033314R1
PCB5	R267	C-CARBON R	RN72K1J-470JE	1	435034704R1
PCB5	R268	C-CARBON R	RN72K1J-221JE	1	435032214R1
PCB5	R269	C-CARBON R	RN72K1J-470JE	1	435034704R1
PCB5	R270	C-CARBON R	RN72K1J-000JE	1	435030004R1
PCB5	R272	C-CARBON R	RN72K1J-105JE	1	435031054R1
PCB5	R273	C-CARBON R	RN72K1J-103JE	1	435031034R1
PCB5	R280	C-CARBON R	RN72K1J-000JE	1	435030004R1
PCB5	R281	C-CARBON R	RN72K1J-103JE	1	435031034R1
PCB5	R282	C-CARBON R	RN72K1J-103JE	1	435031034R1
PCB5	R283	C-CARBON R	RN72K1J-103JE	1	435031034R1
PCB5	R284	C-CARBON R	RN72K1J-103JE	1	435031034R1
PCB5	R285	C-CARBON R	RN72K1J-103JE	1	435031034R1
PCB5	R286	C-CARBON R	RN72K1J-331JE	1	435033314R1
PCB5	R287	C-CARBON R	RN72K1J-103JE	1	435031034R1
PCB5	R288	C-CARBON R	RN72K1J-103JE	1	435031034R1
PCB5	R289	C-CARBON R	RN72K1J-472JE	1	435034724R1
PCB5	R290	C-CARBON R	RN72K1J-472JE	1	435034724R1
PCB5	R8001	C-CARBON R	RN72K1J-102JE	1	435031024R1
PCB5	R8002	C-CARBON R	RN72K1J-473JE	1	435034734R1
PCB5	R8003	C-CARBON R	RN72K1J-473JE	1	435034734R1
PCB5	R8004	C-CARBON R	RN72K1J-273JE	1	435032734R1
PCB5	R8007	C-CARBON R	RN72K1J-102JE	1	435031024R1
PCB5	R8008	C-CARBON R	RN72K1J-473JE	1	435034734R1
PCB5	R8009	C-CARBON R	RN72K1J-473JE	1	435034734R1
PCB5	R8010	C-CARBON R	RN72K1J-562JE	1	435035624R1
PCB5	R8013	C-CARBON R	RN72K1J-102JE	1	435031024R1
PCB5	R8014	C-CARBON R	RN72K1J-473JE	1	435034734R1
PCB5	R8015	C-CARBON R	RN72K1J-473JE	1	435034734R1
PCB5	R8016	C-CARBON R	RN72K1J-103JE	1	435031034R1

PCB5	R8019	C-CARBON R	RN72K1J-103JE	1	435031034R1
PCB5	R8020	C-CARBON R	RN72K1J-182JE	1	435031824R1
PCB5	R8021	C-CARBON R	RN72K1J-000JE	1	435030004R1
PCB5	R8022	C-CARBON R	RN72K1J-473JE	1	435034734R1
PCB5	R8023	C-CARBON R	RN72K1J-182JE	1	435031824R1
PCB5	R8024	C-CARBON R	RN72K1J-182JE	1	435031824R1
PCB5	R8027	C-CARBON R	RN72K1J-000JE	1	435030004R1
PCB5	R8028	C-CARBON R	RN72K2E-470JE	1	435224704R1
PCB5	R8029	C-CARBON R	RN72K1J-332JE	1	435033324R1
PCB5	R8030	C-CARBON R	RN72K1J-332JE	1	435033324R1
PCB5	R8039	C-CARBON R	RN72K1J-332JE	1	435033324R1
PCB5	R8931	C-CARBON R	RN72K1J-333JE	1	435033334R1
PCB5	R8932	C-CARBON R	RN72K1J-152JE	1	435031524R1
PCB5	R8933	C-CARBON R	RN72K1J-152JE	1	435031524R1
PCB5	R8934	C-CARBON R	RN72K1J-332JE	1	435033324R1
PCB5	R8935	C-CARBON R	RN72K1J-333JE	1	435033334R1
PCB5	R8936	C-CARBON R	RN72K1J-000JE	1	435030004R1
PCB5	R8937	C-CARBON R	RN72K1J-393JE	1	435033934R1
PCB5	R8938	C-CARBON R	RN72K1J-393JE	1	435033934R1
PCB5	P704B	SOCKET	IMSA-9111S-24L	1	25053259
PCB5	P8001	SOCKET	YKF45-7037V	1	25053253R3
PCB5	P8002	SOCKET	YKF45-7037V	1	25053253R3
PCB5	P8003	SOCKET	YKF45-7037V	1	25053253R3
PCB5	P8004	SOCKET	YKF45-7037V	1	25053253R3
PCB5	JL801B	WIRE TRAP	NPLG-5P588	1	25055626

ONKYO CORPORATION

Sales & Product Planning Div. : 2-1, Nisshin-cho, Neyagawa-shi, OSAKA 572-8540, JAPAN
Tel: 072-831-8023 Fax: 072-831-8163

ONKYO U.S.A. CORPORATION

18 Park Way, Upper Saddle River, N.J. 07458, U.S.A.
Tel: 201-785-2600 Fax: 201-785-2650 <http://www.us.onkyo.com/>

ONKYO EUROPE ELECTRONICS GmbH

Liegnitzerstrasse 6, 82194 Groebenzell, GERMANY
Tel: +49-8142-4401-0 Fax: +49-8142-4401-555 <http://www.eu.onkyo.com/>

ONKYO EUROPE UK Office

Suite 1, Gregories Court, Gregories Road, Beaconsfield, Buckinghamshire, HP9 1HQ
UNITED KINGDOM Tel: +44-(0)1494-681515 Fax: +44(0)-1494-680452

ONKYO CHINA LIMITED

Units 2102-2107, Metroplaza Tower I, 223 Hing Fong Road, Kwai Chung,
N.T., HONG KONG Tel: 852-2429-3118 Fax: 852-2428-9039
<http://www.ch.onkyo.com/>

