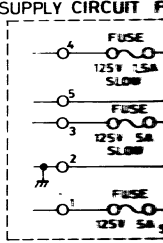
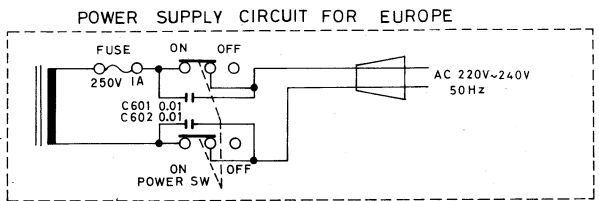
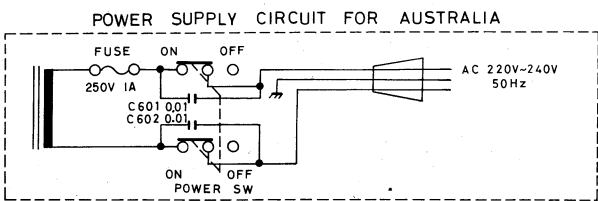
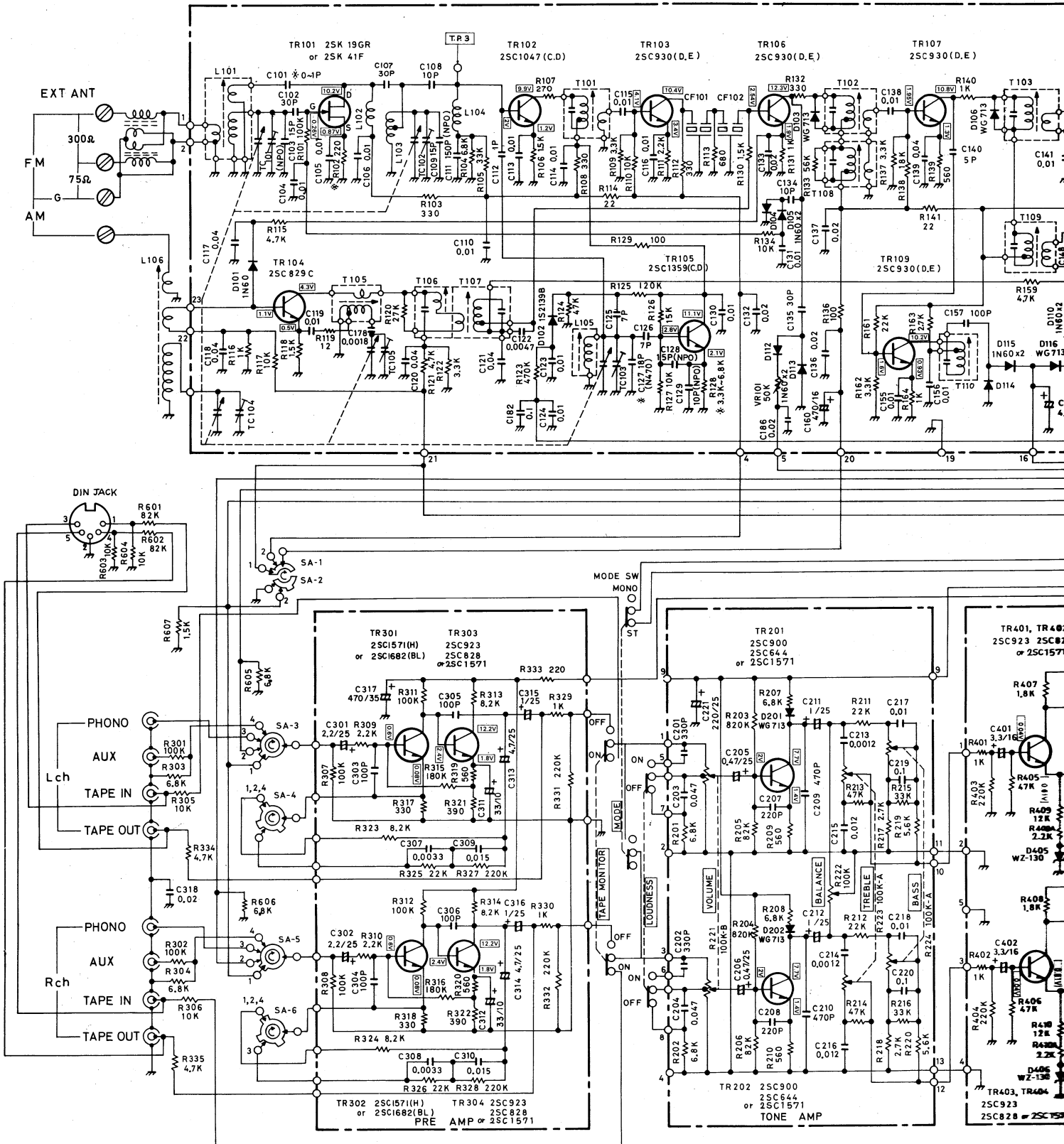


(17) SCHEMATIC DIAGRAM



POWER SUPPLY CIRCUIT FOR AUSTRALIA

POWER SUPPLY CIRCUIT FOR EUROPE

POWER SUPPLY CIRCUIT FOR AUSTRALIA

POWER SUPPLY CIRCUIT FOR EUROPE

POWER SUPPLY CIRCUIT FOR AUSTRALIA

POWER SUPPLY CIRCUIT FOR EUROPE

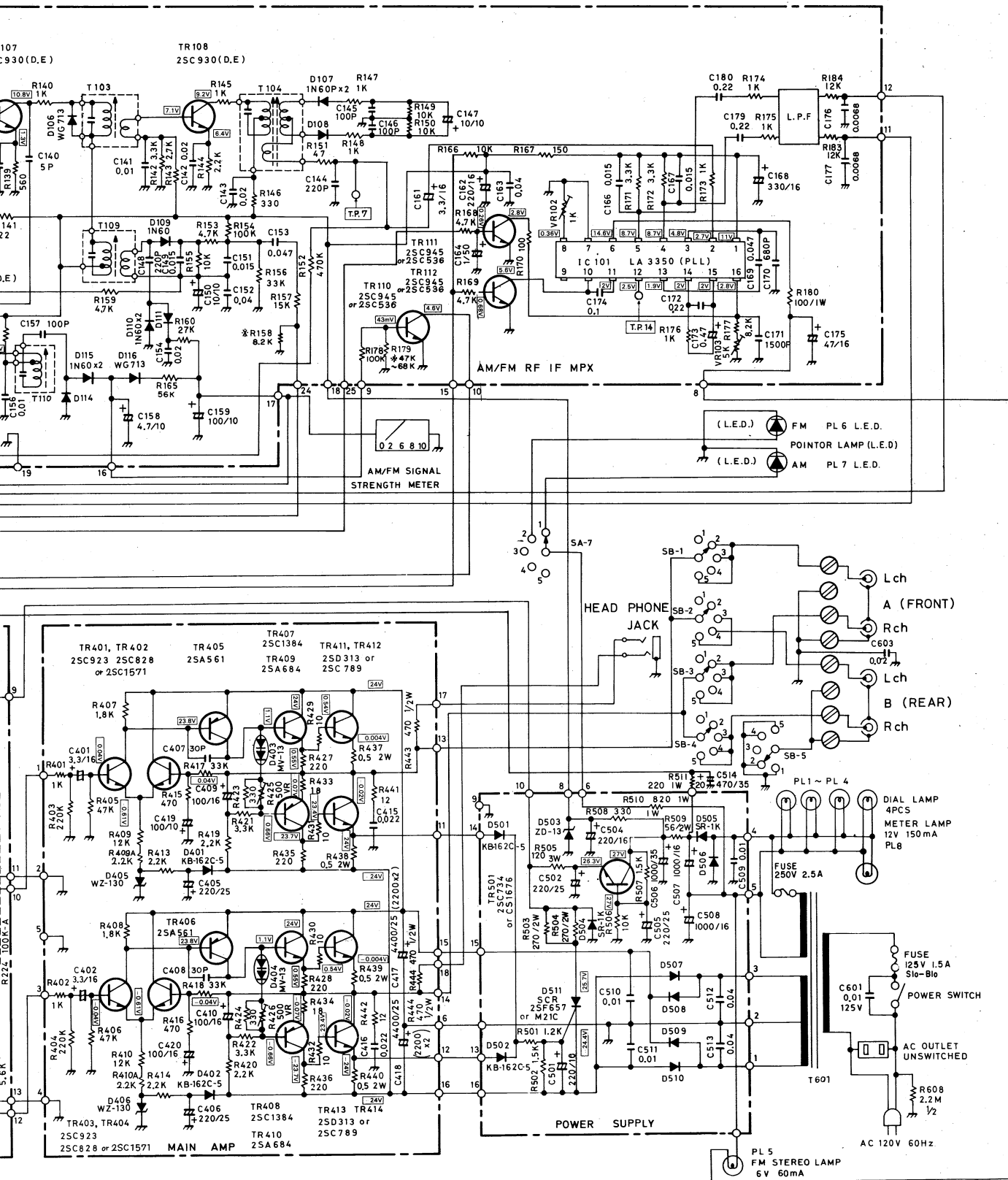
POWER SUPPLY CIRCUIT FOR AUSTRALIA

POWER SUPPLY CIRCUIT FOR EUROPE

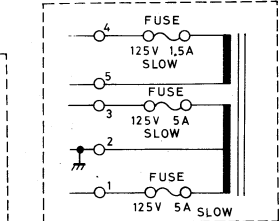
POWER SUPPLY CIRCUIT FOR AUSTRALIA

POWER SUPPLY CIRCUIT FOR EUROPE

ATOMIC DIAGRAM



POWER SUPPLY CIRCUIT FOR CSA



NOTE

- (1) SA-1~SA-7 FUNCTION SWITCH 1 - AM, 2 - FM, 3 - PHONO, 4 - AUX.
- (2) SB-1~SB-5 SPEAKER SELECTOR SWITCH 1 - OUT, 2 - A, 3 QUATRAVOX
4 - B, 5 - A+B.
- (3) ALL RESISTANCE VALES ARE INDICATED IN "OHM" (K=10³OHM, M=10⁶OHM)
- (4) ALL CAPACITANCE VALUES ARE INDICATED IN "μF" (P=10⁻⁶μF)
- (5) * VALUE MAY VARY FROM UNIT TO UNIT FOR OPTIMUM PERFORMANCE.