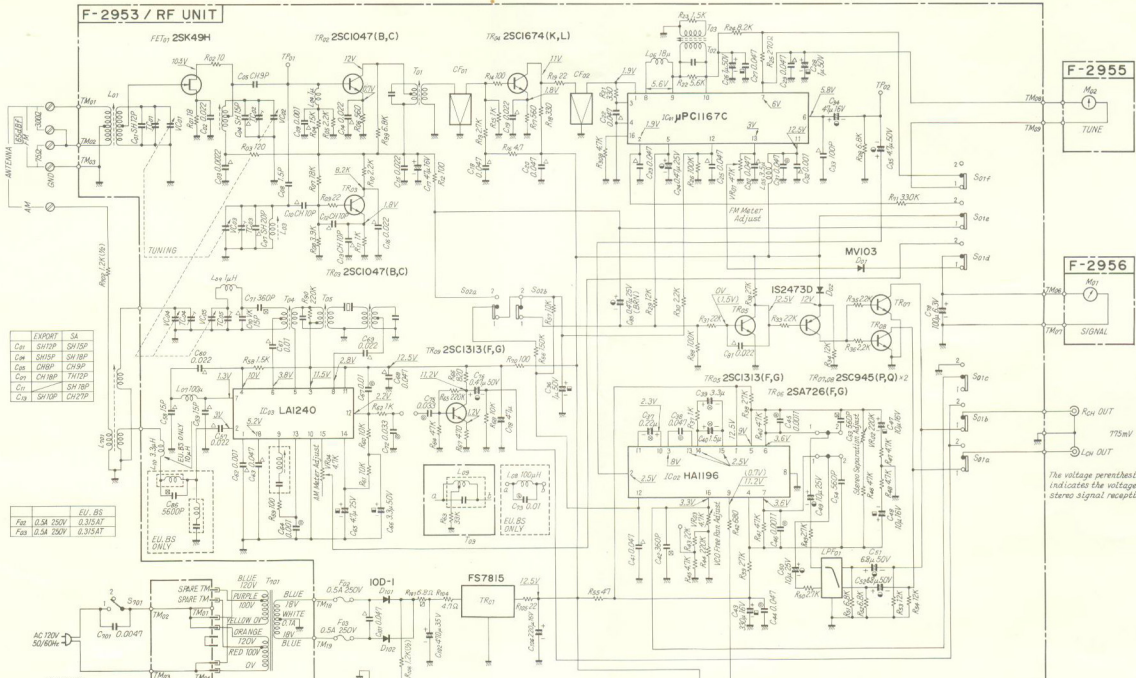


# SANSUI TU-217 SCHEMATIC DIAGRAM

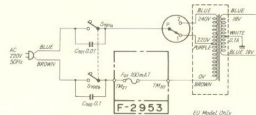
• Design and specifications subject to change without notice for improvement.  
 • La présentation et les spécifications sont susceptibles d'être modifiées sans préavis par suites d'améliorations éventuelles.  
 • Änderungen, die dem technischen Fortschritt dienen, bleiben vorbehalten.



EXPOSED	SA
Cap	SP7SP
Cap	SNPSP
Cap	SNPSP
Cap	SNPSP
Cap	SNPSP
Cap	SNPSP
Cap	SNPSP
Cap	SNPSP
Cap	SNPSP
Cap	SNPSP
Cap	SNPSP

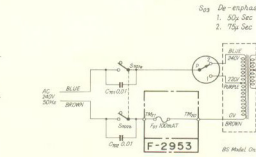
Cap	EVJ-BS
1.5	250V
0.5	250V
0.5	250V
0.5	250V

**SWITCHES**  
 POWER SWS  
 1. ON  
 2. OFF  
 3. FM  
 4. AM  
 5. AUTO/MUTING ON  
 6. MONO/MUTING OFF



F-2954 Standard Model Only

F-2953 Model Only



F-2955 Model Only

F-2956 Model Only

**VR**  
 VR<sub>1</sub> F-2953 FM METER VR  
 VR<sub>2</sub> F-2953 SEPARATION VR  
 VR<sub>3</sub> F-2953 VCD VR  
 VR<sub>4</sub> F-2953 AM METER VR

**SO** On-emphasis  
 1. 50% Sec  
 2. 75% Sec

**SYMBOL**  
 Δ Ceramic  
 △ Mylar  
 ○ Silver  
 □ Tantalum Electrolytic  
 □ Aluminum Electrolytic  
 □ Low-leak Electrolytic  
 □ Fusing Resistor

**RESISTORS**  
 Are in ohms, W Watts, Ω % Resistance across otherwise noted, K x10, M x100  
 CAPACITORS  
 Are in pF unless otherwise noted, p-pF

Each DC voltage shows the nominal value in volts at the input signal

F-2955

F-2956

The voltage parenthesized indicates the voltage in stereo signal reception

F-2953

UL, CSA Model Only