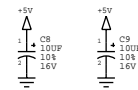
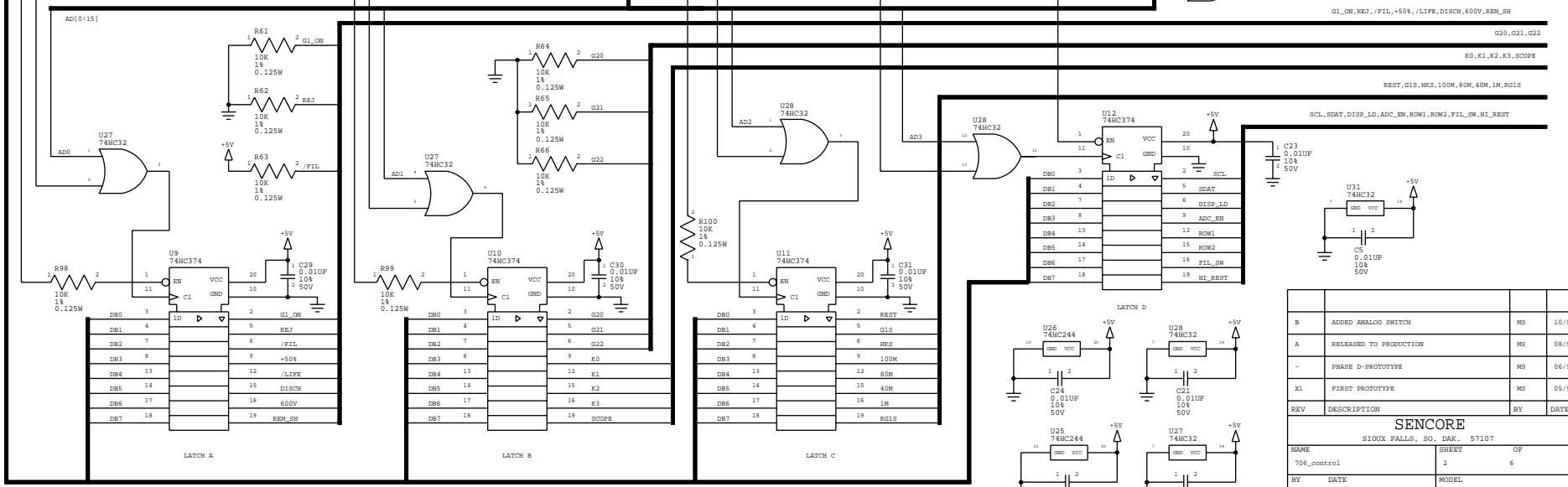
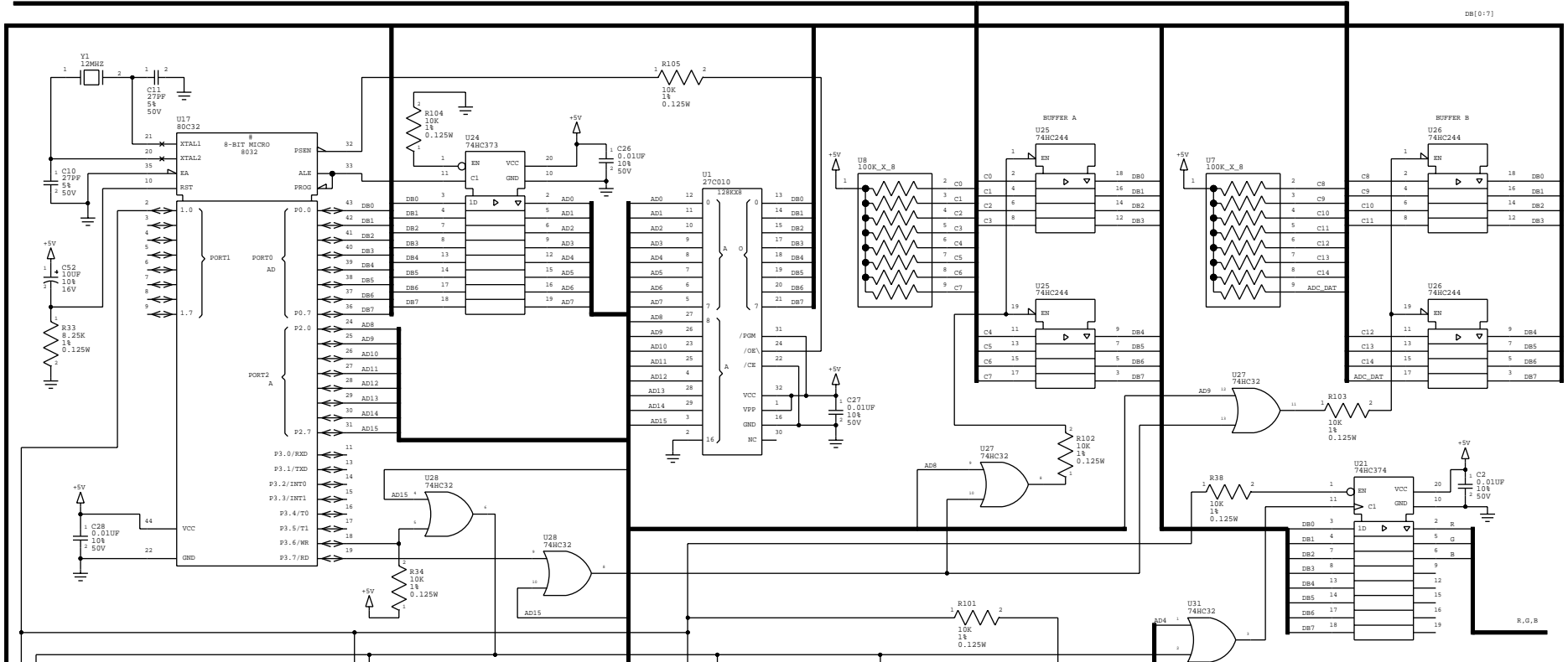


SCORCE			
SIOUX FALLS, SO. DAK. 57107			
NAME	SHEET	OF	
438706	1	6	
BY	DATE	MODEL	
LAB2	10/11/96	CR7000	
SIZE	APPROVED	PART NO	REV
C	CSA - 10/16/96	438706	B

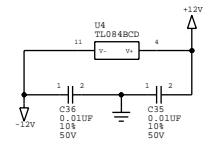
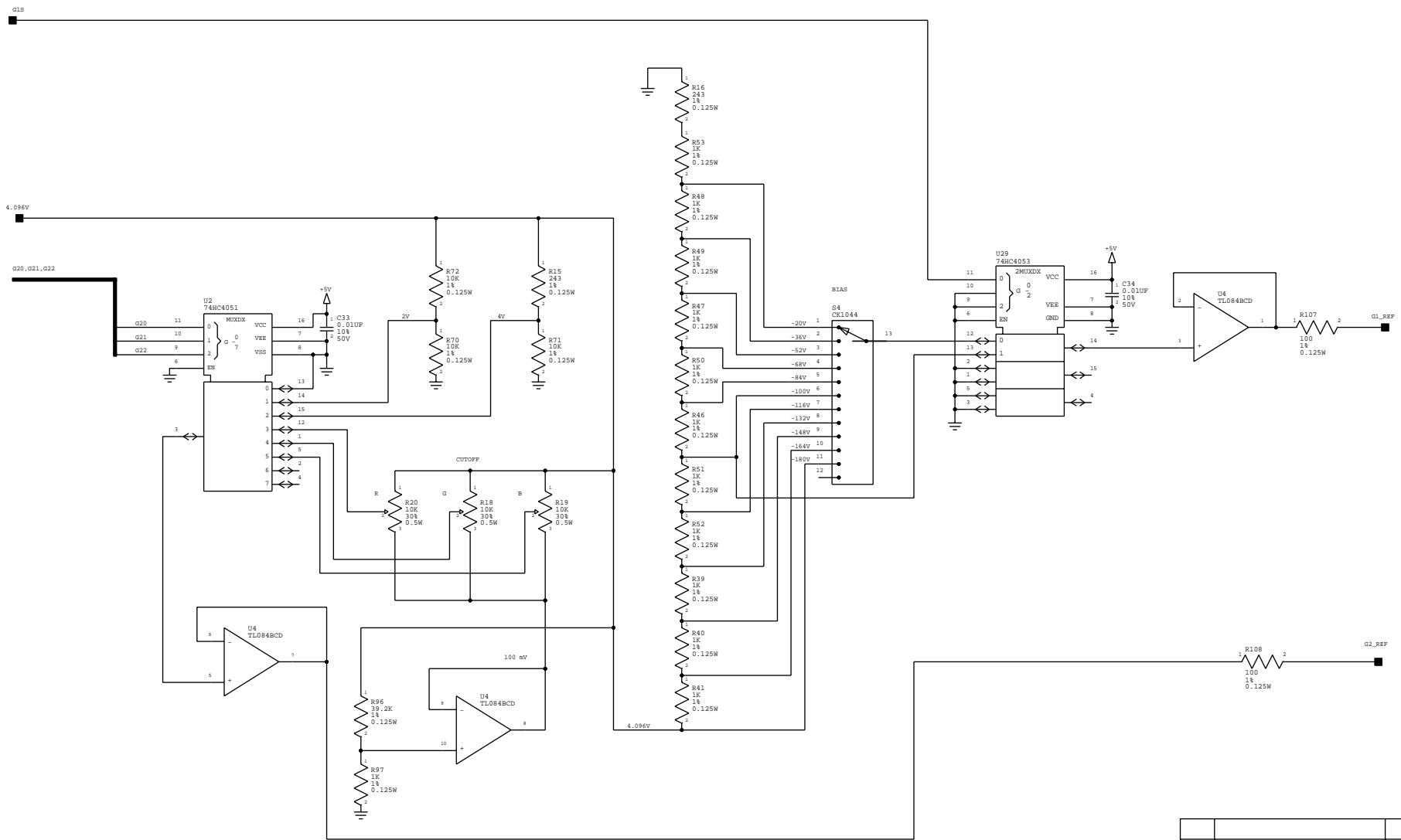
REV	DESCRIPTION	BY	DATE
B	ADDED ANALOG SWITCH	MS	10/96
A	RELEASED TO PRODUCTION	MS	08/96
-	PHASE D-PROTOTYPE	MS	06/96
X1	FIRST PROTOTYPE	MS	05/96



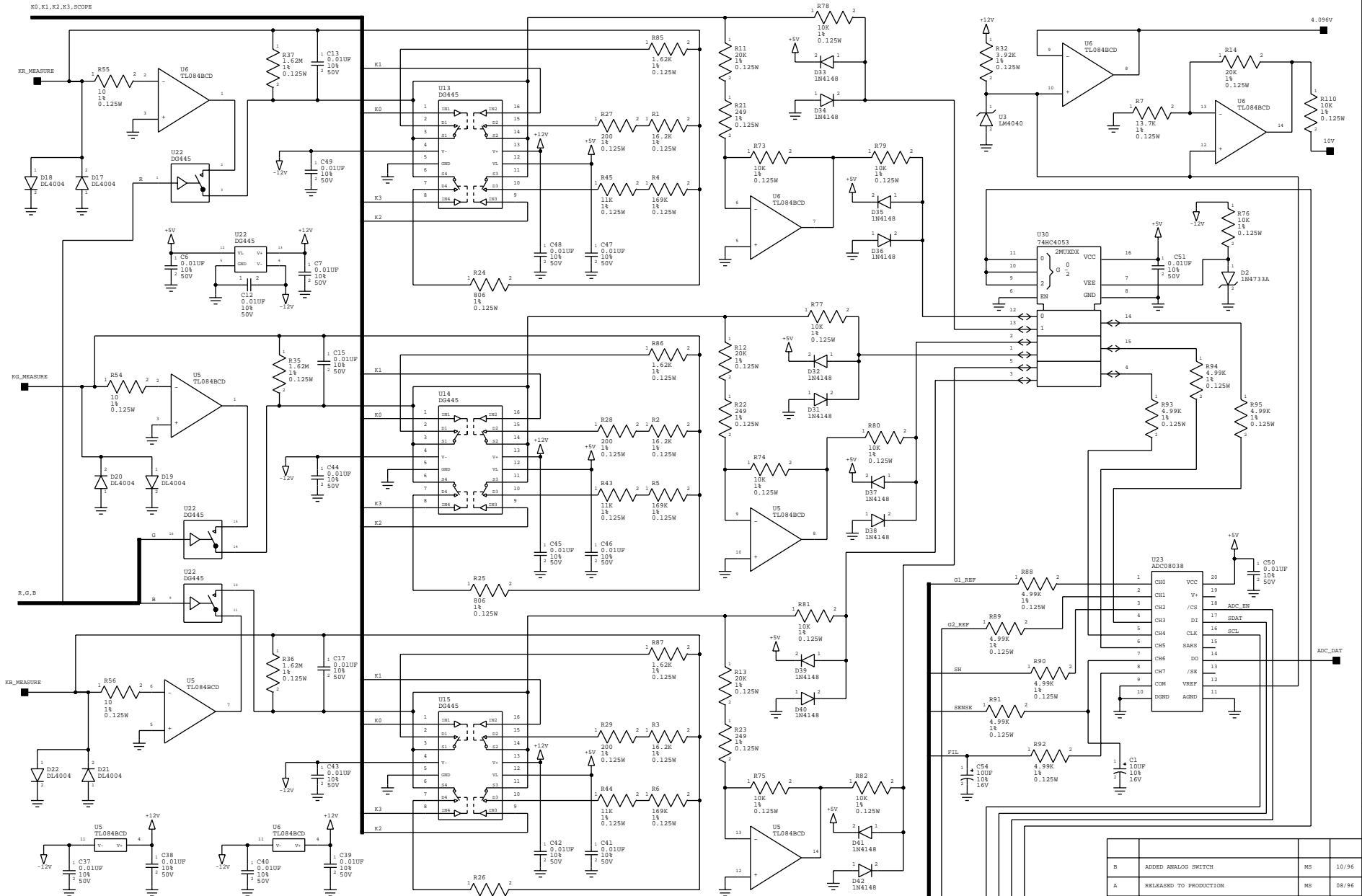


SENSCORE			
SIOUX FALLS, SO. DAK. 57107			
NAME	DATE	SHEET	OF
706_control		2	6
BY	DATE	MODEL	
LAB2	10/11/96	CR7000	
SIZE	APPROVED	PART NO	REV
C	CSA - 10/16/96	43B706	B

REV	DESCRIPTION	BY	DATE
B	ADDED ANALOG SWITCH	MS	10/96
A	RELEASED TO PRODUCTION	MS	08/96
-	PHASE D-PROTOTYPE	MS	06/96
X1	FIRST PROTOTYPE	MS	05/96



B	ADDED ANALOG SWITCH	MS	10/96
A	RELEASED TO PRODUCTION	MS	08/96
-	PHASE D-PROTOTYPE	MS	06/96
X1	FIRST PROTOTYPE	MS	05/96
REV	DESCRIPTION	BY	DATE
SCNORE			
SIOUX FALLS, SO. DAK. 57107			
NAME	706_g1g2	SHEET	4 OF 6
BY	LAB2	MODEL	CR7000
DATE	10/11/96		
SIZE	APPROVED	PART NO	43B706
C	CSA - 10/16/96		REV B



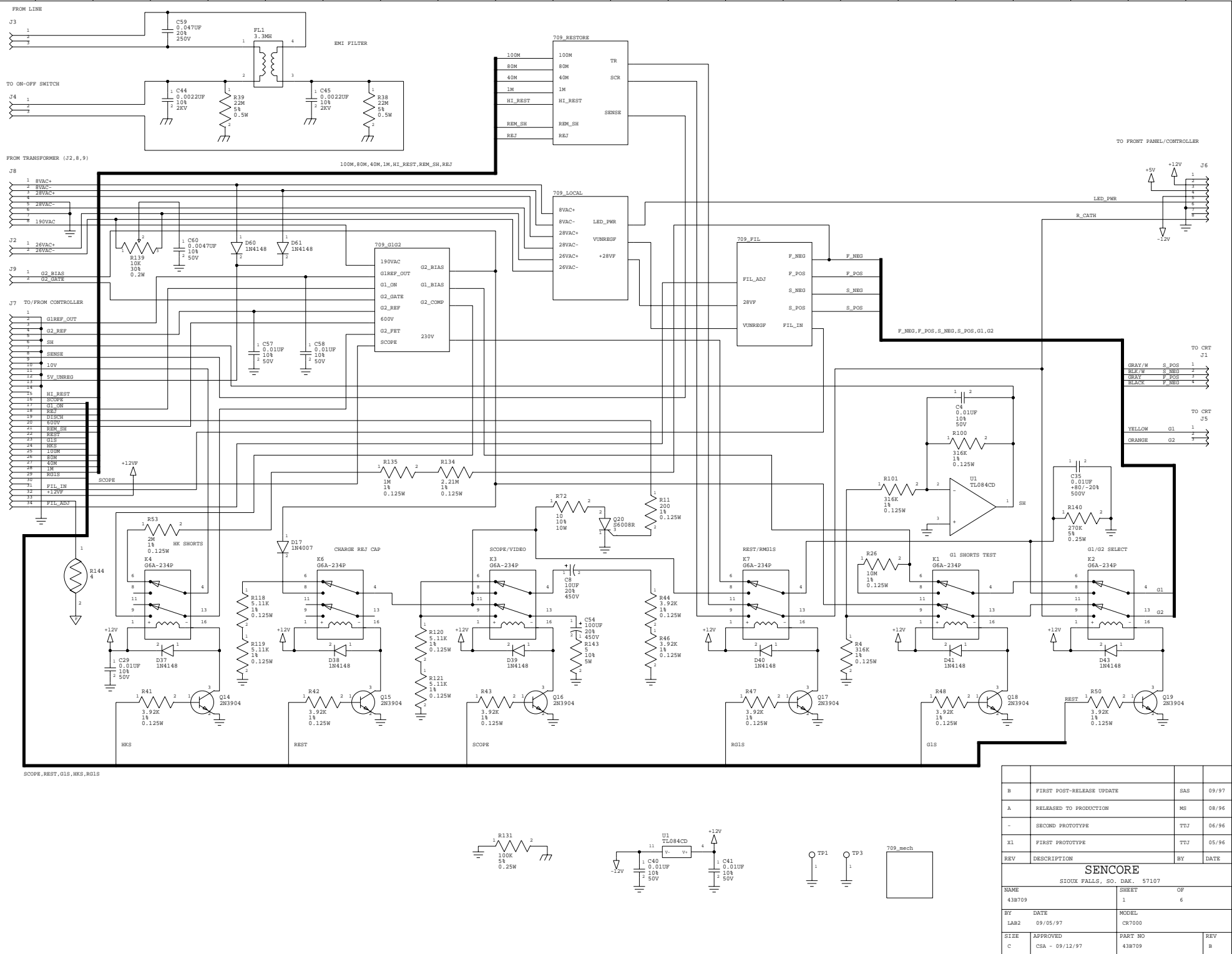
REV	DESCRIPTION	BY	DATE
B	ADDED ANALOG SWITCH	MS	10/96
A	RELEASED TO PRODUCTION	MS	08/96
-	PHASE 0 PROTOTYPE	MS	06/96
X1	FIRST PROTOTYPE	MS	05/96

SCORCORE			
SIOUX FALLS, SO. DAK., 57107			
NAME	706_measure	SHEET	5 OF 6
BY	DATE	MODEL	
LAB2	10/11/96	CR7000	
SIZE	APPROVED	PART NO	REV
C	CSA - 10/16/96	43B706	B



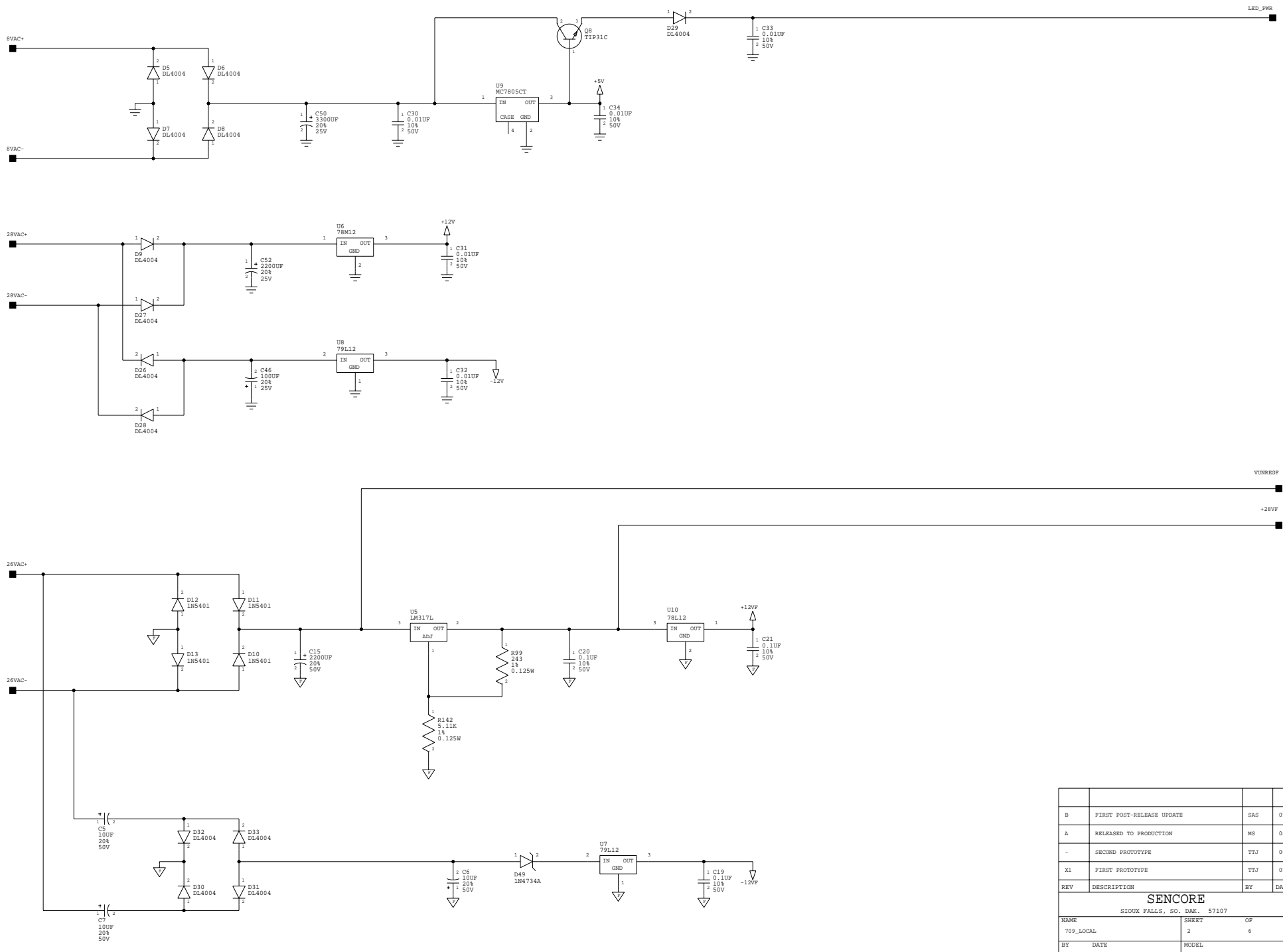
REV	DESCRIPTION	BY	DATE
B	ADDED ANALOG SWITCH	MS	10/96
A	RELEASED TO PRODUCTION	MS	08/96
-	PHASE D-PROTOTYPE	MS	06/96
X1	FIRST PROTOTYPE	MS	05/96

SENCORE			
SIOUX FALLS, SO. DAK. 57107			
NAME	706_mech	SHEET	6 OF 6
BY	LAB2	DATE	10/11/96
MODEL	CR7000		
SIZE	C	APPROVED	CSA - 10/16/96
PART NO	43B706	REV	B



REV	DESCRIPTION	BY	DATE
B	FIRST POST-RELEASE UPDATE	SAS	09/97
A	RELEASED TO PRODUCTION	MS	08/96
-	SECOND PROTOTYPE	TJF	06/96
X1	FIRST PROTOTYPE	TTU	05/96

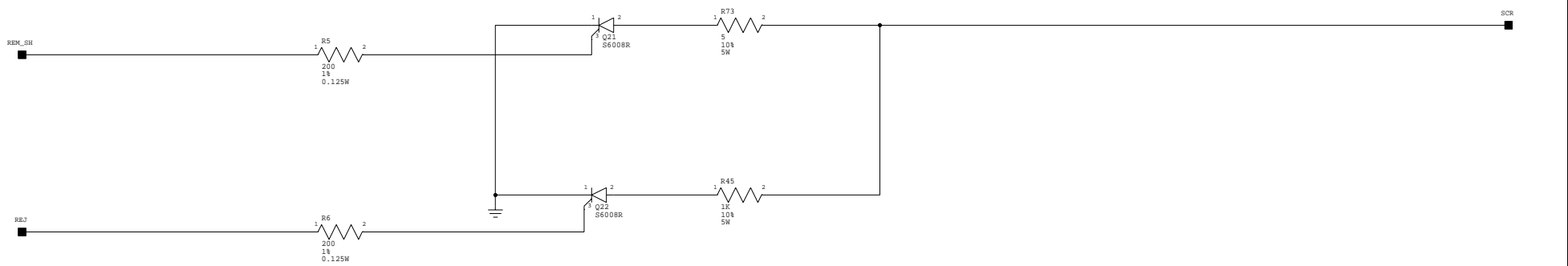
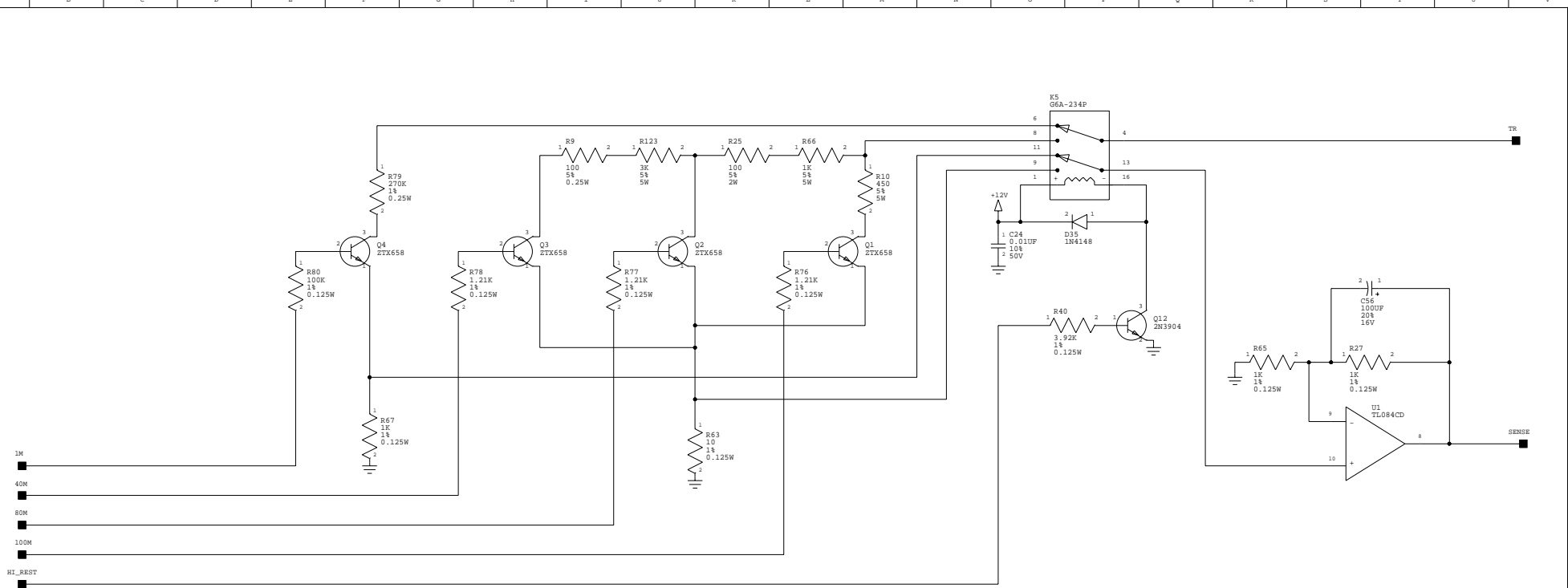
SENSCORE			
SIOUX FALLS, SO. DAK. 57107			
NAME	438709	SHEET	OF
		1	6
BY	DATE	MODEL	
LAB2	09/05/97	CR7000	
SIZE	APPROVED	PART NO	
C	CSA - 09/12/97	438709	REV
			B



REV	DESCRIPTION	BY	DATE
REV	DESCRIPTION	BY	DATE
X1	FIRST PROTOTYPE	TJY	05/96
-	SECOND PROTOTYPE	TJY	06/96
A	RELEASED TO PRODUCTION	MS	08/96
B	FIRST POST-RELEASE UPDATE	SAS	09/97

SENCORE
SIOUX FALLS, SO. DAK. 57107

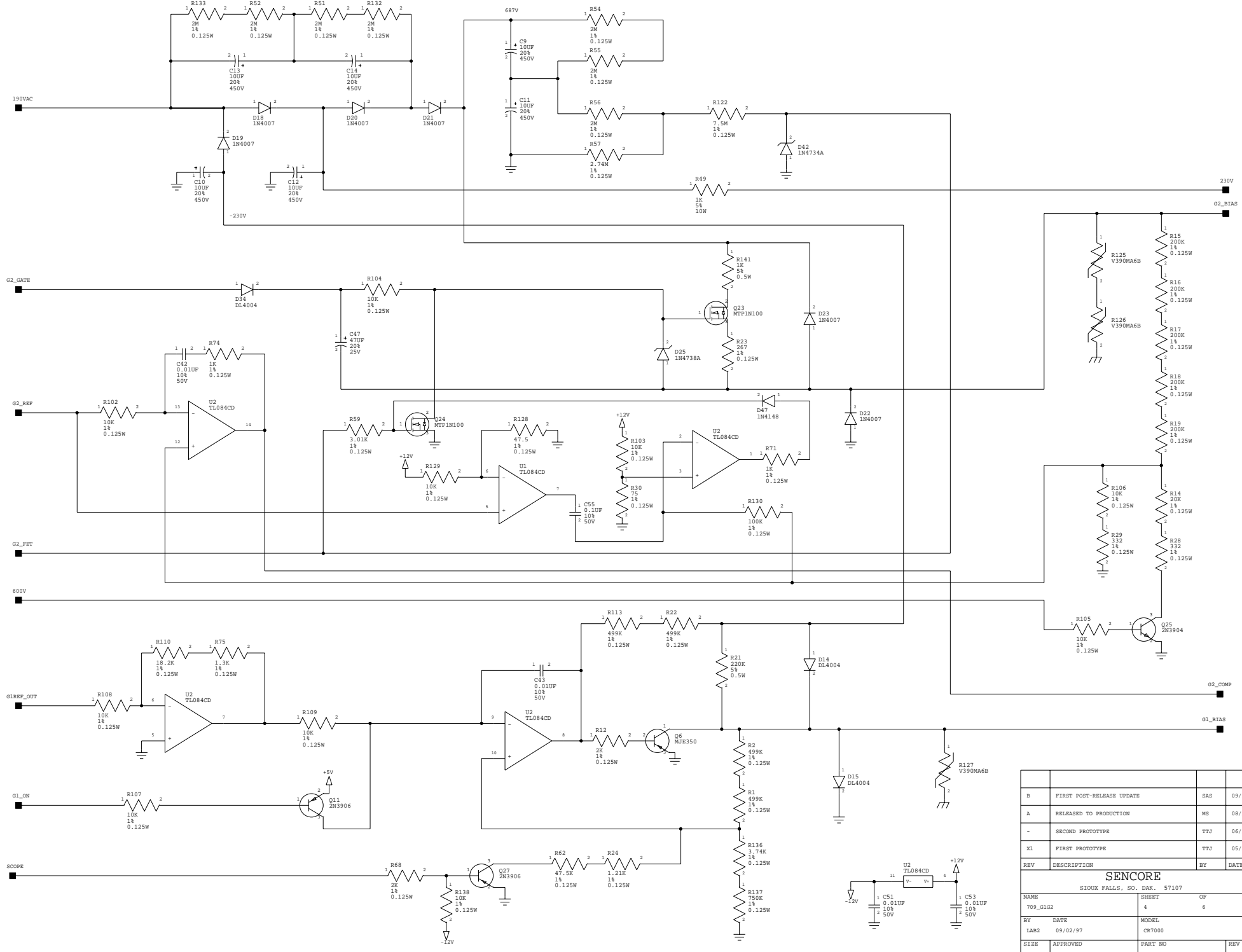
NAME	709_LOCAL	SHEET	OF
		2	6
BY	DATE	MODEL	
LAB2	09/02/97	CR7000	
SIZE	APPROVED	PART NO	REV
C	CSA - 09/12/97	438709	B



REV	DESCRIPTION	BY	DATE
X1	FIRST PROTOTYPE	TJU	05/96
-	SECOND PROTOTYPE	TJU	06/96
A	RELEASED TO PRODUCTION	MS	08/96
B	FIRST POST-RELEASE UPDATE	SAS	09/97

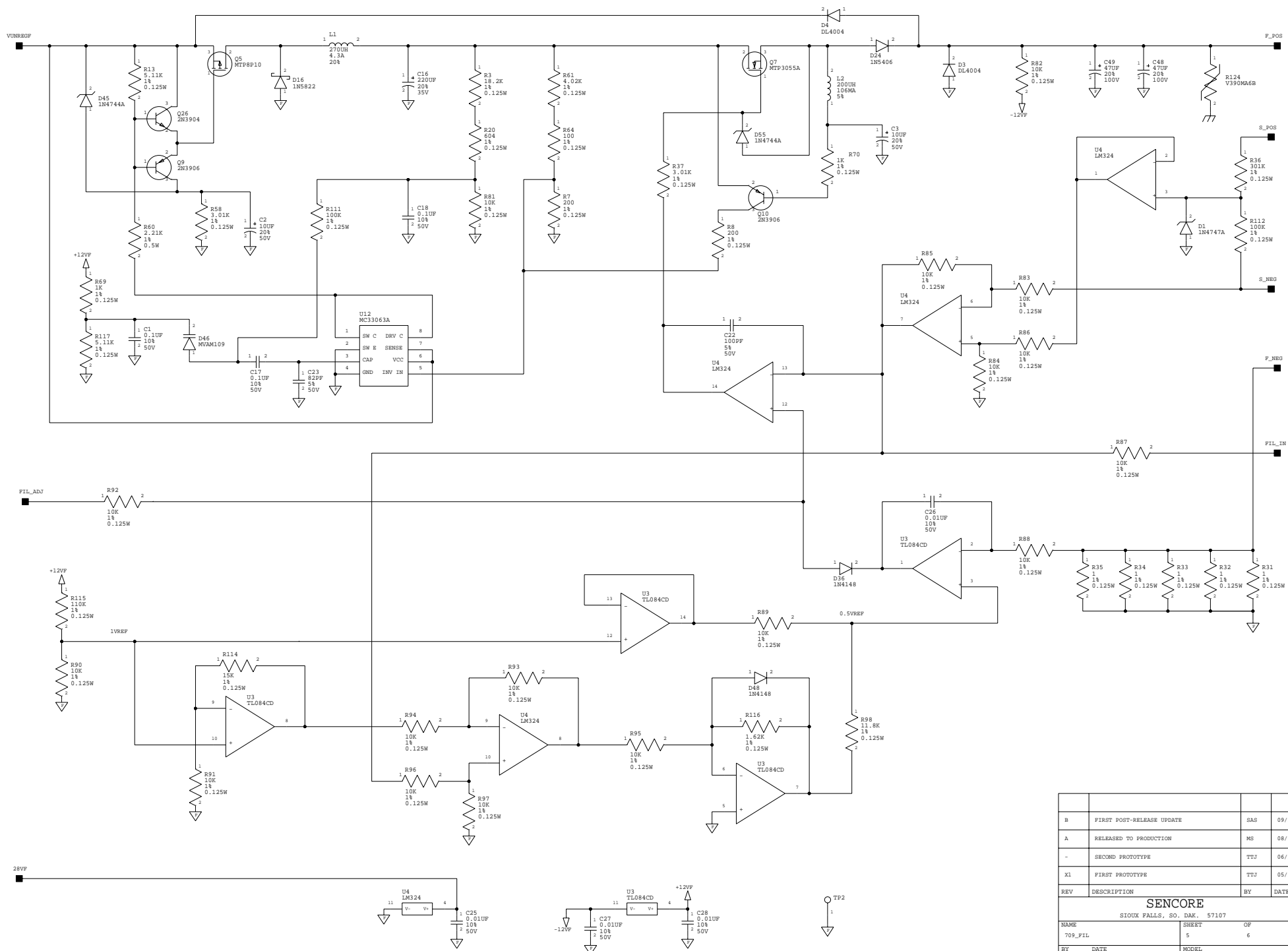
SENCORE
SIOUX FALLS, SO. DAK. 57107

NAME	709_RESTORE	SHEET	3	OF	6
BY	LAB2	DATE	09/05/97	MODEL	CR7000
SIZE	C	APPROVED	CSA - 09/12/97	PART NO	438709
				REV	B



SENSCORE			
SIOUX FALLS, SO. DAK. 57107			
NAME	SHEET	OF	
709_G102	4	6	
BY	DATE	MODEL	
LAB2	09/02/97	CR7000	
SIZE	APPROVED	PART NO	REV
C	CSA - 09/12/97	438709	B

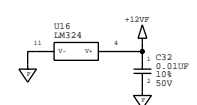
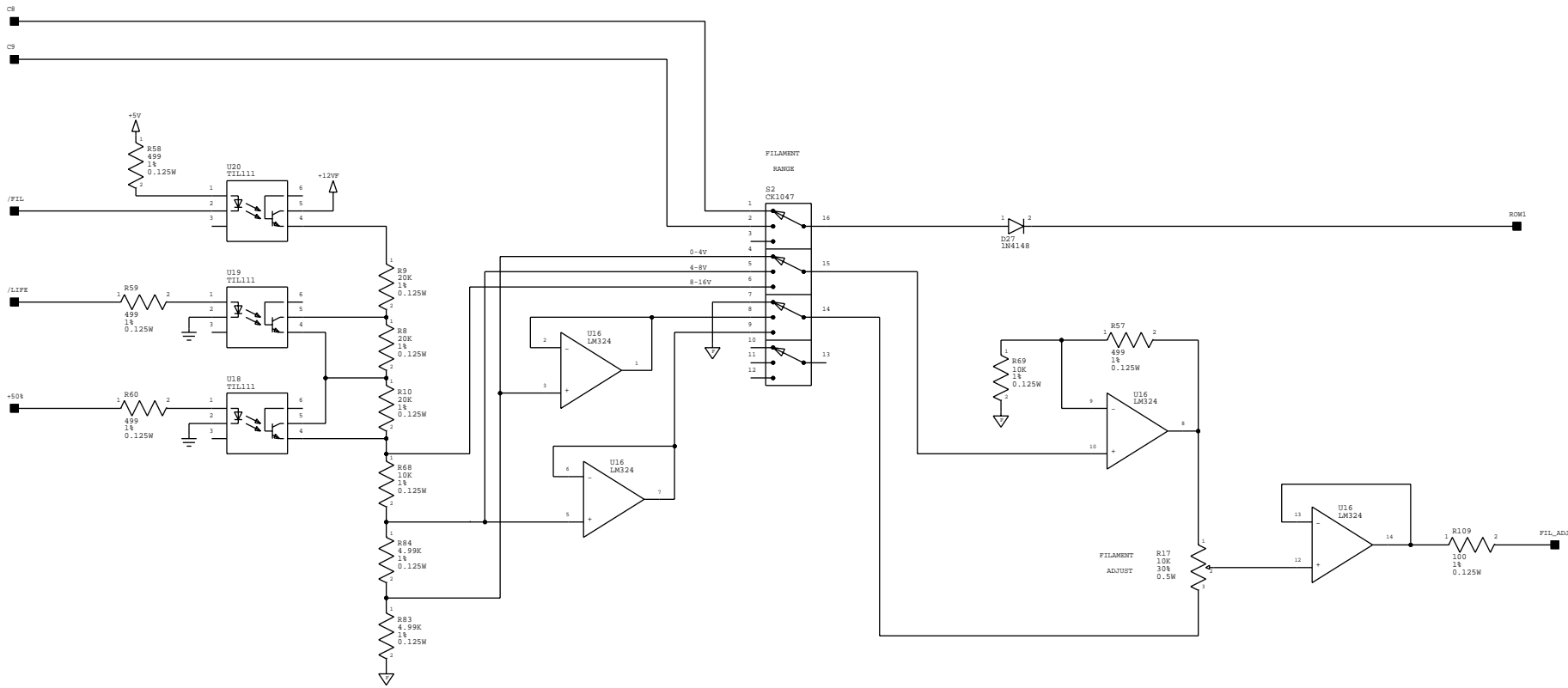
B	FIRST POST-RELEASE UPDATE	SAS	09/97
A	RELEASED TO PRODUCTION	MS	08/96
-	SECOND PROTOTYPE	TJU	06/96
X1	FIRST PROTOTYPE	TTU	05/96
REV	DESCRIPTION	BY	DATE



REV	DESCRIPTION	BY	DATE
B	FIRST POST-RELEASE UPDATE	SAS	09/97
A	RELEASED TO PRODUCTION	MS	08/96
-	SECOND PROTOTYPE	TJ	06/96
X1	FIRST PROTOTYPE	TJ	05/96

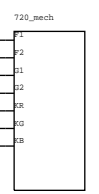
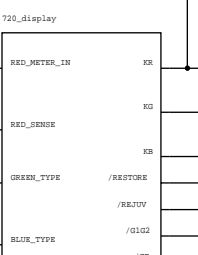
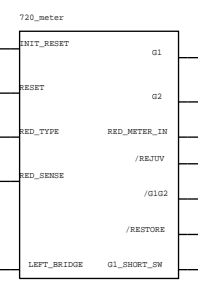
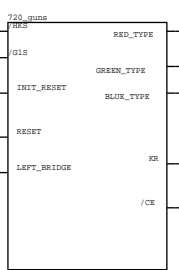
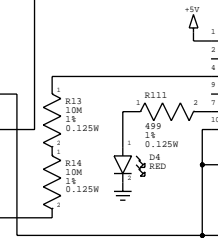
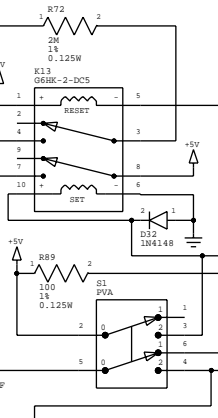
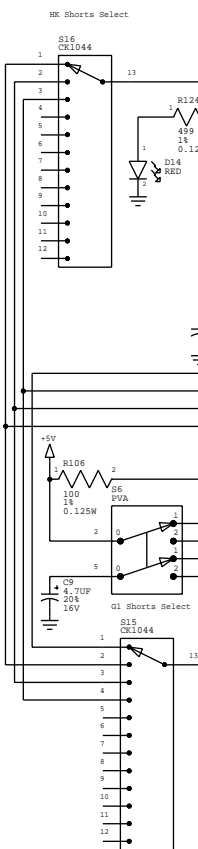
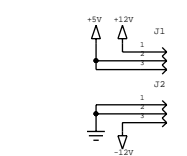
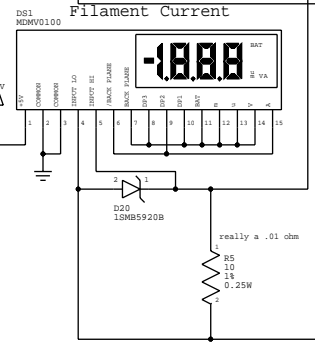
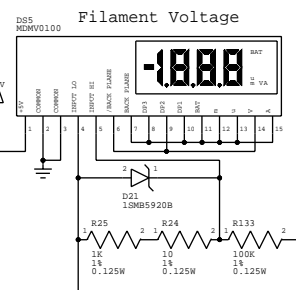
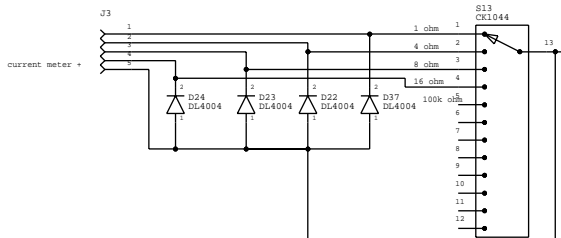
SCORCOR
SIOUX FALLS, SO. DAK. 57107

NAME	709_FIL	SHEET	OF
		5	6
BY	DATE	MODEL	
LAB2	09/02/97	CR7000	
SIZE	APPROVED	PART NO	REV
C	CSA - 09/12/97	438709	B

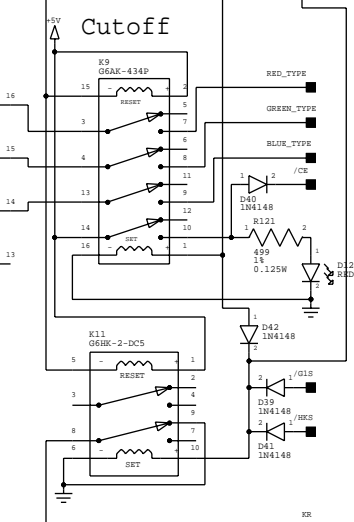
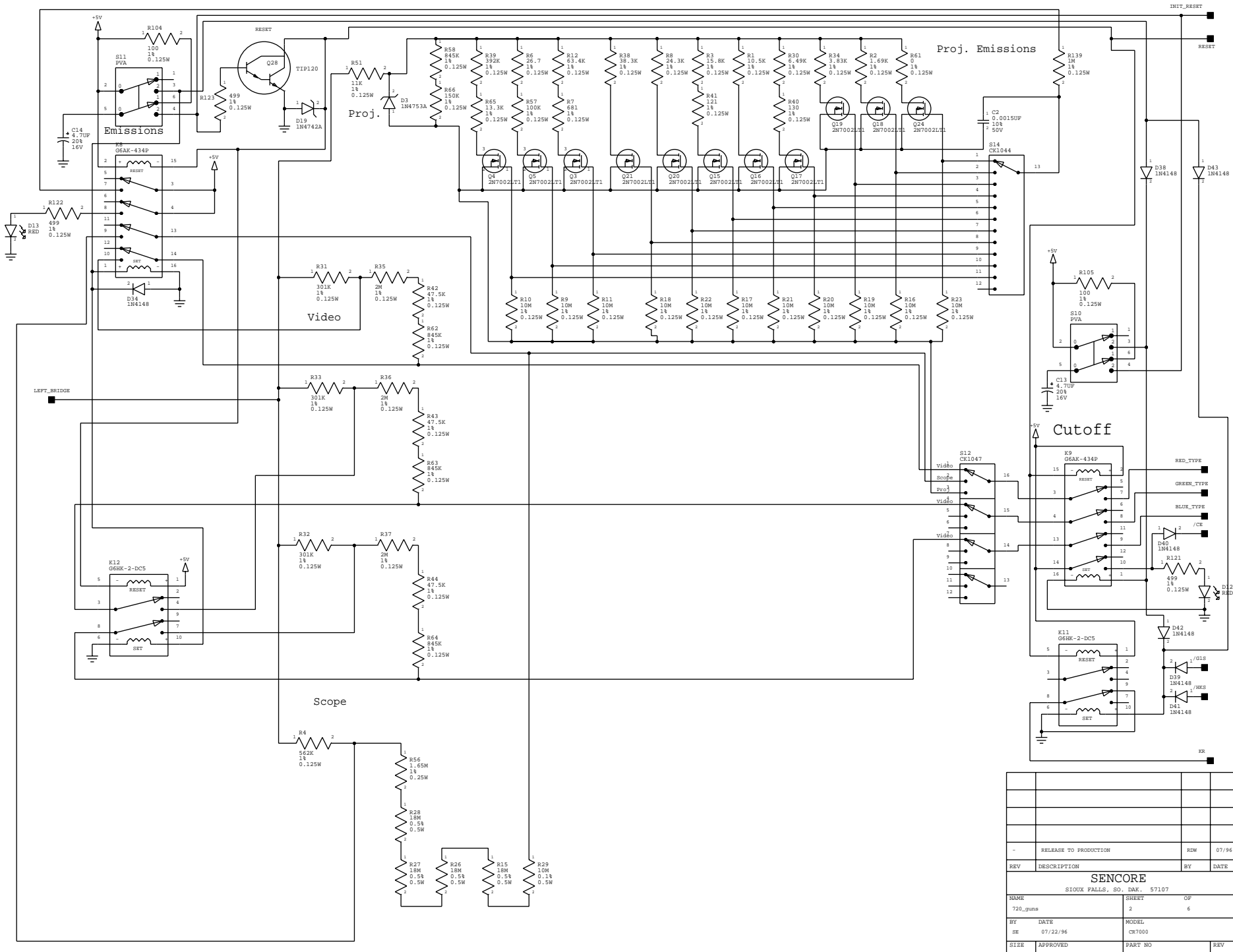


REV	DESCRIPTION	BY	DATE
X1	FIRST PROTOTYPE	MS	05/96
-	PHASE D-PROTOTYPE	MS	06/96
A	RELEASED TO PRODUCTION	MS	08/96
B	ADDED ANALOG SWITCH	MS	10/96

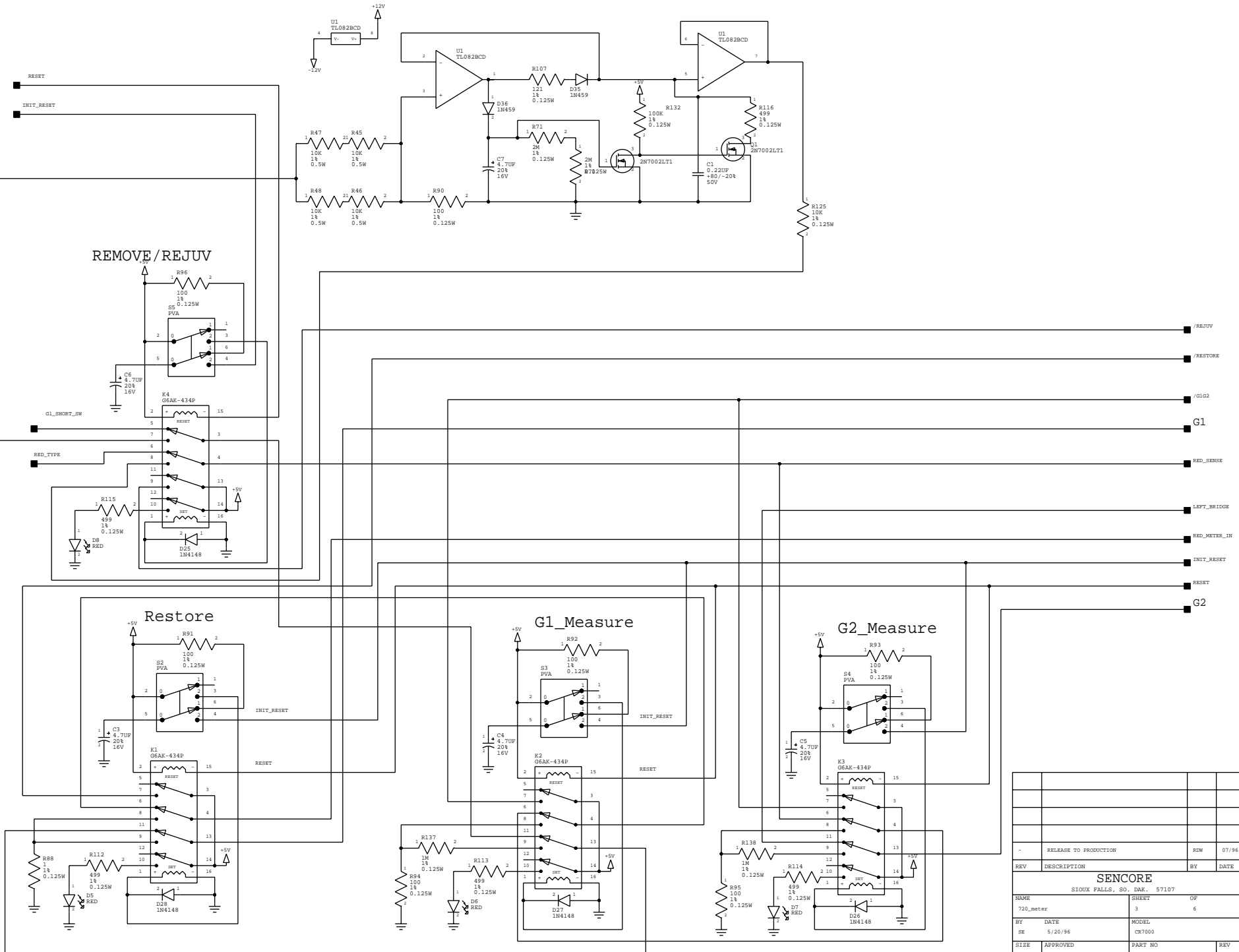
SENSCORE			
SIOUX FALLS, SO. DAK. 57107			
NAME	706_filament	SHEET	OF
		3	6
BY	DATE	MODEL	
LAB2	10/11/96	CR7000	
SIZE	APPROVED	PART NO	REV
C	CSA - 10/16/96	438706	B



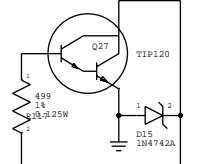
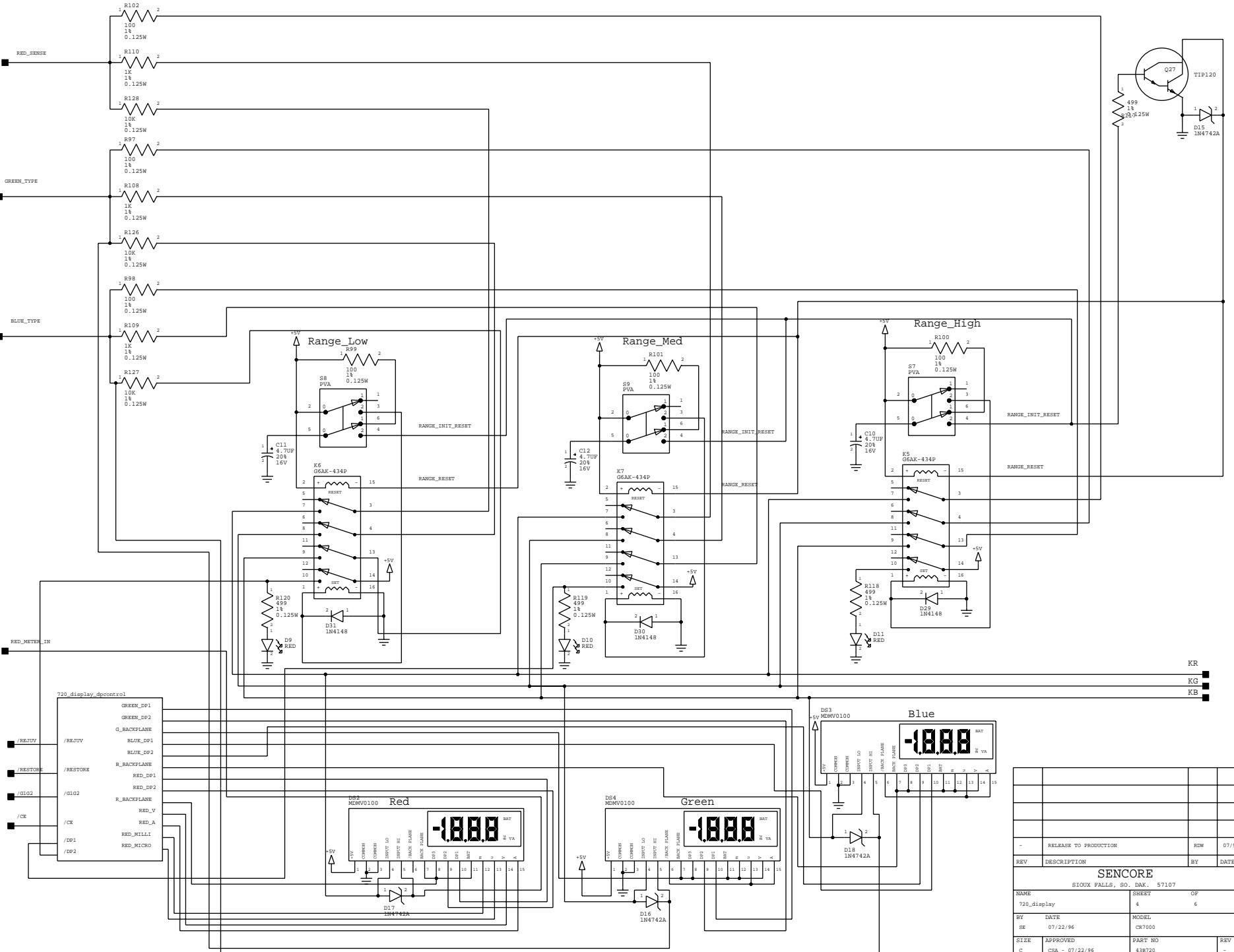
-		RELEASE TO PRODUCTION	RDW	07/96
REV	DESCRIPTION	BY	DATE	
SENCORE				
SIOUX FALLS, SO. DAK. 57107				
NAME	43B720	SHEET	1	OF 6
BY	DATE	MODEL	CR7000	
SE	5/17/96			
SIZE	APPROVED	PART NO	43B720	
C	CSA - 07/22/96	REV	-	



RELEASE TO PRODUCTION				RDW	07/96
REV	DESCRIPTION	BY	DATE		
SCORE					
SIOUX FALLS, SO. DAK., 57107					
NAME	720_guns	SHEET	2	OF	6
BY	DATE	MODEL			
SE	07/22/96	CR7000			
SIZE	APPROVED	PART NO	REV		
C	CSA - 07/22/96	43B720	-		



-	RELEASE TO PRODUCTION	RDW	07/96
REV	DESCRIPTION	BY	DATE
SCENCORE			
SIOUX FALLS, SO. DAK. 57107			
NAME	720_meter	SHEET	6P
BY	DATE	MODEL	CR7000
SE	5/20/96		
SIZE	APPROVED	PART NO	REV
C	CSA - 07/22/96	43B720	-

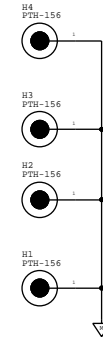
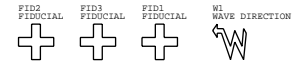
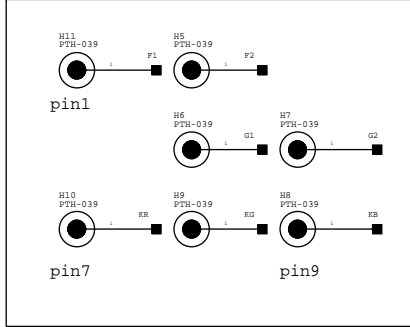


KR
 KG
 KB

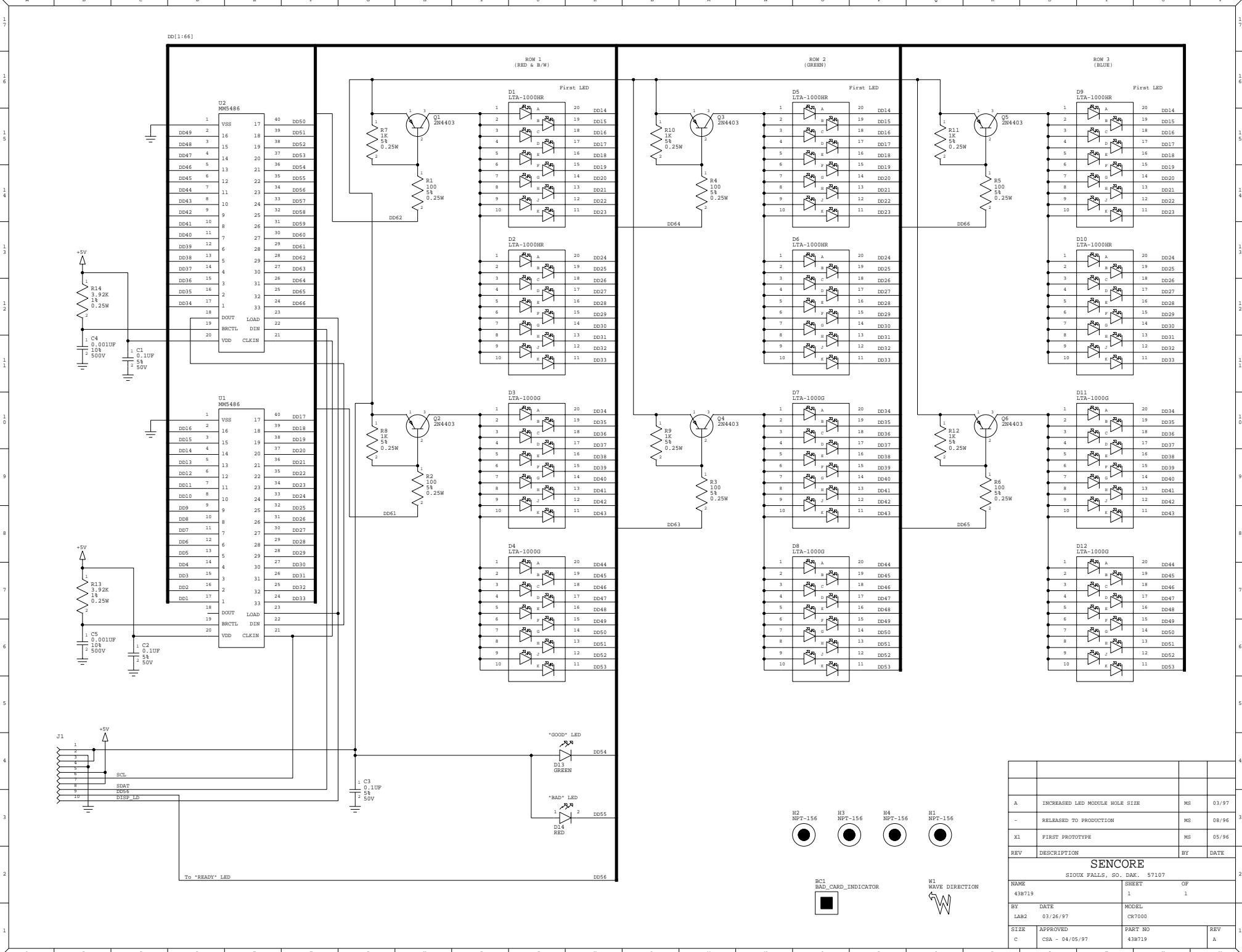
-		RELEASE TO PRODUCTION	RDW	07/96
REV	DESCRIPTION	BY	DATE	
SENCORE				
SIOUX FALLS, SO. DAK. 57107				
NAME	720_display	SHEET	4	OF
BY	DATE	MODEL	CR7000	
SE	07/22/96	PART NO	438720	
SIZE	APPROVED	REV	-	
C	CSA - 07/22/96			

pin1	F- or F1
pin2	F+ or F2
pin5	G1
pin6	G2
pin7	KR
pin8	KG
pin9	KB

Front Panel Connector

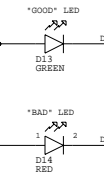


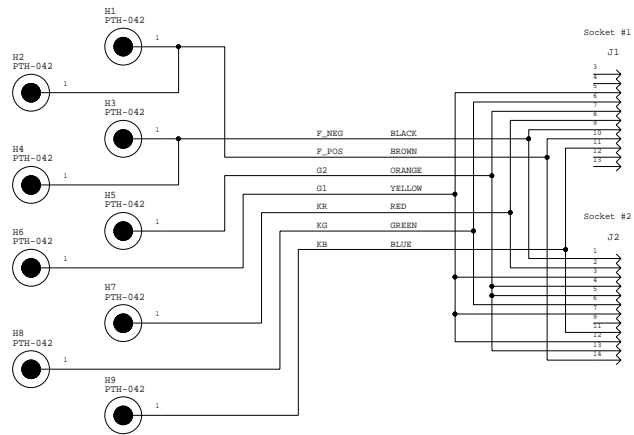
REV	DESCRIPTION	BY	DATE
-	RELEASE TO PRODUCTION	RDW	07/96
SENCORE			
SIOUX FALLS, SO. DAK. 57107			
NAME	720_mech	SHEET	6
BY	SE	DATE	07/22/96
SIZE	C	MODEL	CR7000
APPROVED	CSA - 07/22/96	PART NO	438720
REV	-		



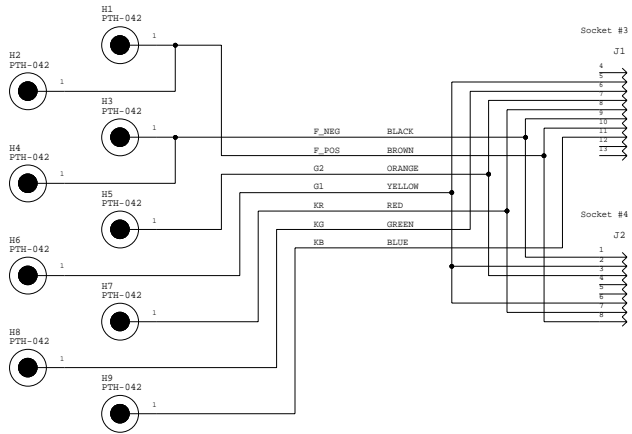
REV	DESCRIPTION	BY	DATE
A	INCREASED LED MODULE HOLE SIZE	MS	03/97
-	RELEASED TO PRODUCTION	MS	08/96
X1	FIRST PROTOTYPE	MS	05/96

SENCORE			
SIOUX FALLS, SO. DAK. 57107			
NAME	SHEET	OF	
438719	1	1	
BY	DATE	MODEL	
LAB2	03/26/97	CR7000	
SIZE	APPROVED	PART NO	REV
C	CSA - 04/05/97	438719	A

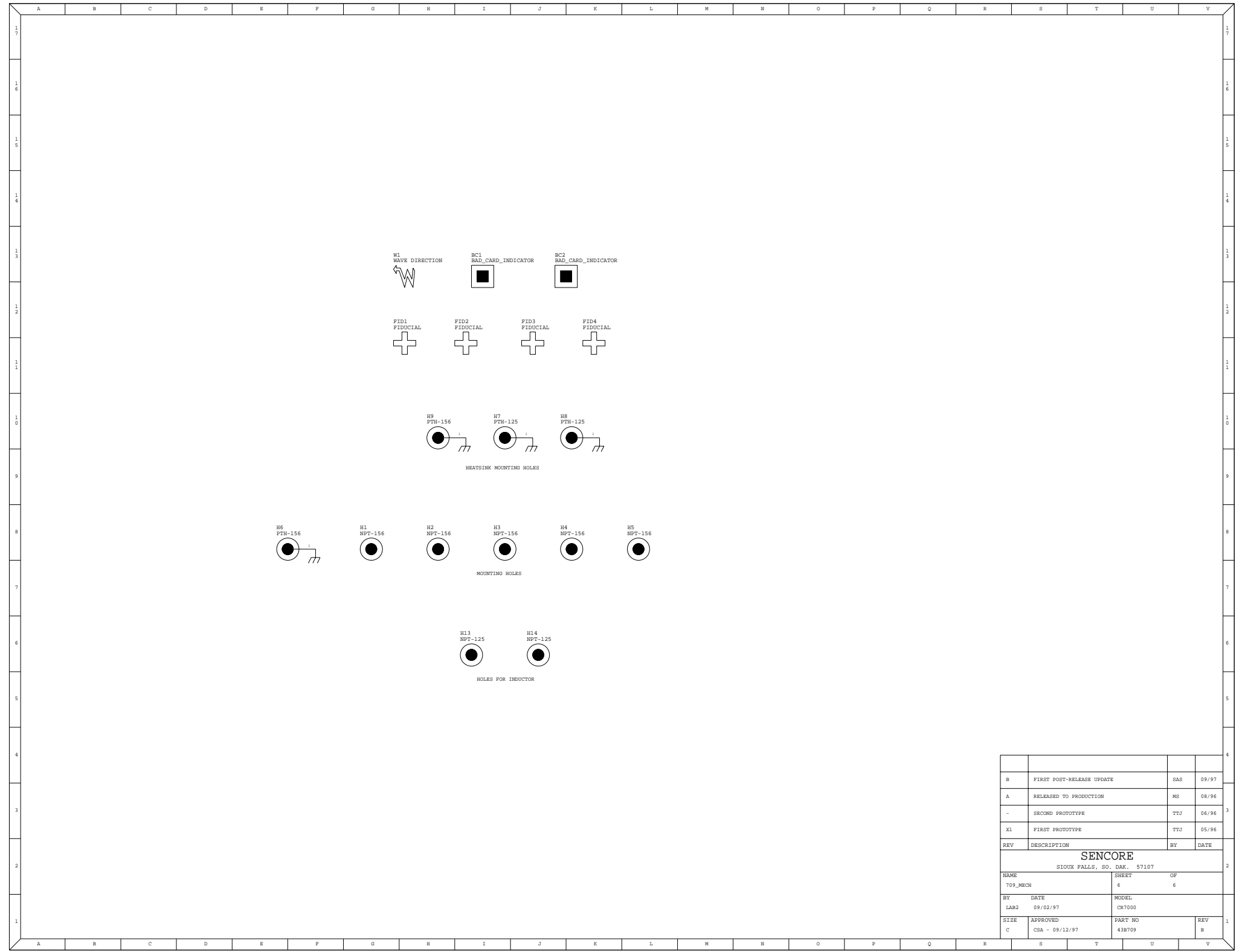




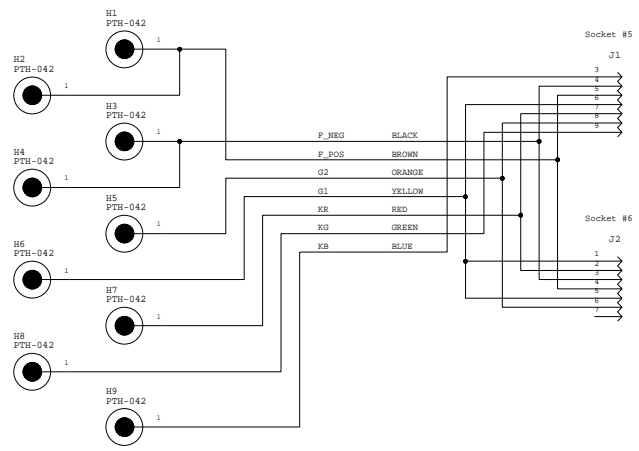
A	RELEASED TO PRODUCTION	MS	02/97
-	FIRST PROTOTYPE	MS	07/96
REV	DESCRIPTION	BY	DATE
SENCORE			
SIOUX FALLS, SO. DAK. 57107			
NAME	438723	SHEET	OF
		1	1
BY	DATE	MODEL	
LAB2	02/21/97	CR7000	
SIZE	APPROVED	PART NO	REV
C	CSA - 03/10/97	438723	A



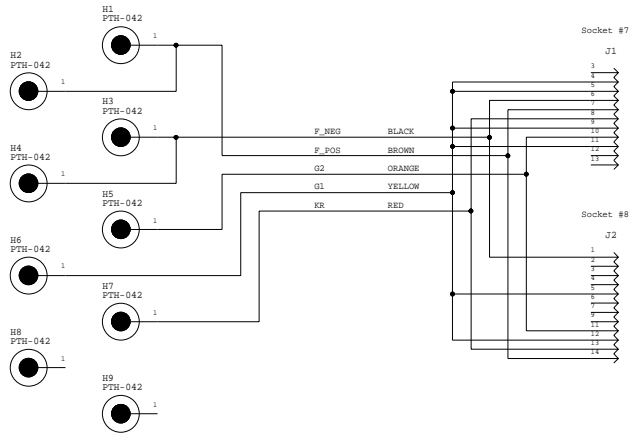
A	RELEASED TO PRODUCTION	MS	02/97
-	FIRST PROTOTYPE	MS	07/96
REV	DESCRIPTION	BY	DATE
SENCORE			
SIOUX FALLS, SO. DAK. 57107			
NAME	438724	SHEET	OF
		1	1
BY	DATE	MODEL	
LAB2	02/21/97	CR7000	
SIZE	APPROVED	PART NO	REV
C	CSA - 03/10/97	438724	A



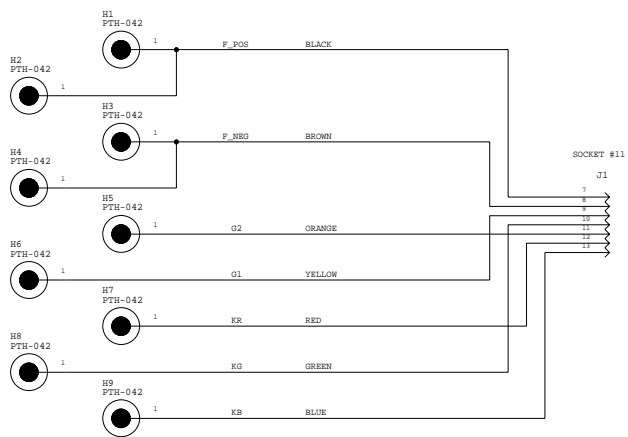
B	FIRST POST-RELEASE UPDATE	SAS	09/97
A	RELEASED TO PRODUCTION	MS	08/96
-	SECOND PROTOTYPE	TJ	06/96
X1	FIRST PROTOTYPE	TJ	05/96
REV	DESCRIPTION	BY	DATE
SENCORE			
SIOUX FALLS, SO. DAK. 57107			
NAME	709_MECH	SHEET	OF
		6	6
BY	DATE	MODEL	
LAB2	09/02/97	CR7000	
SIZE	APPROVED	PART NO	REV
C	CSA - 09/12/97	438709	B



A	RELEASED TO PRODUCTION	MS	02/97
-	FIRST PROTOTYPE	MS	07/96
REV	DESCRIPTION	BY	DATE
SENCORE			
SIOUX FALLS, SO. DAK. 57107			
NAME	438725	SHEET	OF
		1	1
BY	DATE	MODEL	
LAB2	02/21/97	CR7000	
SIZE	APPROVED	PART NO	REV
C	CSA - 03/10/97	438725	A



A	RELEASED TO PRODUCTION	MS	02/97
-	FIRST PROTOTYPE	MS	07/96
REV	DESCRIPTION	BY	DATE
SENCORE			
SIOUX FALLS, SO. DAK. 57107			
NAME	438727	SHEET	OF
		1	1
BY	DATE	MODEL	
LAB2	02/21/97	CR7000	
SIZE	APPROVED	PART NO	REV
C	CSA - 03/10/97	438727	A



-	FIRST PROTOTYPE	MS	03/97
REV	DESCRIPTION	BY	DATE
SENCORE			
SIOUX FALLS, SO. DAK. 57107			
NAME	438764	SHEET	OF
		1	1
BY	DATE	MODEL	
LAB2	03/25/97	CR7000	
SIZE	APPROVED	PART NO	REV
C	CSA - 04/04/97	438764	-