

S2 [MONITOR] TAPE 1 → SOURCE → TAPE 2 S3 [TAPE COPY] TAPE 1 → 2 → SOURCE → TAPE 2 → 1

S1 [FUNCTION] PHONO 2
PHONO 1
FM
AM
AUX

S7 [ACOUSTIC COMP] LOUDNESS
PRESENCE
OFF
LOW

Q501 2SC1636 EO AMP Q502, 503 2SA705 EO AMP

Q551 2SC1636 Q552, 553 2SA705

[EQ AMP BOARD]

[FUNCTION SWITCH BOARD]

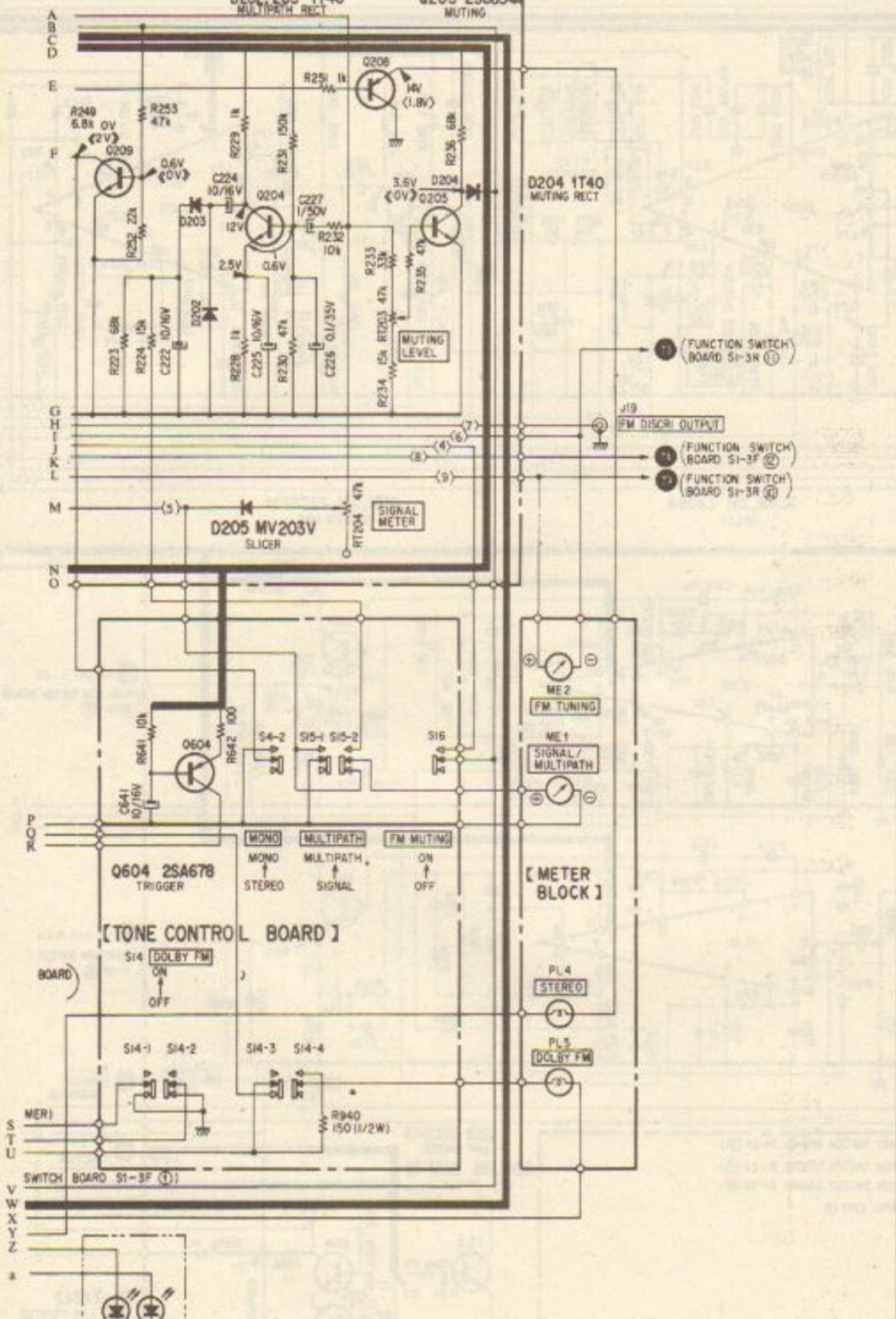
[AUX JACK BOARD]

AEP MODEL

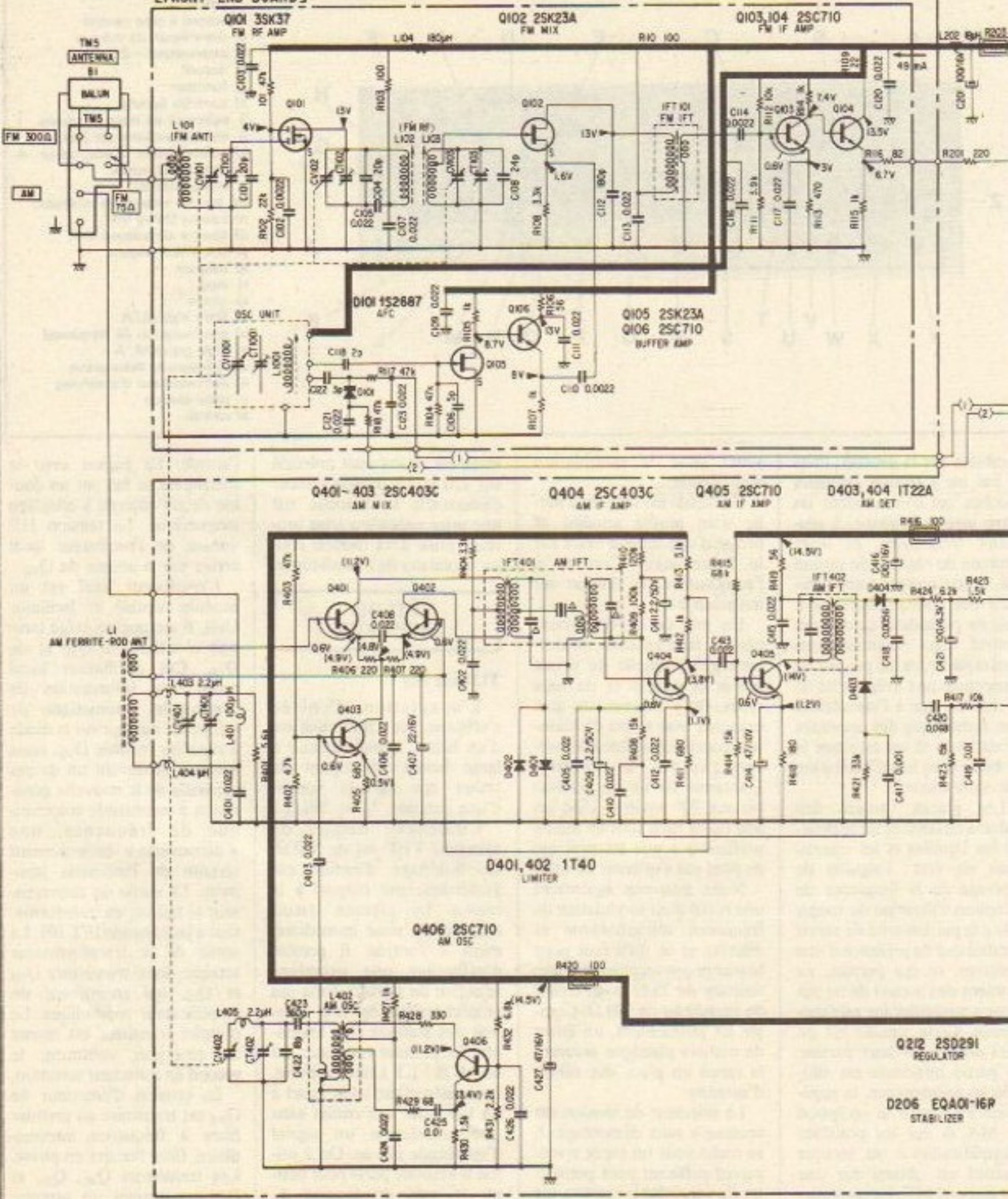
- J1 PHONO 1
- J2 PHONO 2
- J3 AUX
- J4 TAPE 2
- J5 REC OUT 2
- J6 EXT ADPT INPUT
- J7 EXT ADPT OUTPUT
- J8 TAPE 1
- J9 REC OUT 1
- J10 REC OUT 1
- J11 TAPE 1
- J12 PHONO 1
- J13 PHONO 2
- J14 AUX
- J15 TAPE 2
- J16 REC OUT 2
- J17 EXT ADPT INPUT
- J18 EXT ADPT OUTPUT

- FM R1
- FM OUT
- FM/AM BOARD
- FM L1
- FM MUTING
- FM B+1
- AM B+1
- COM B+1
- FM/AM BOARD
- FM/AM BOARD

A
B
C
D
E
F



[FRONT-END BOARD]



Q201-203 2SC710
FM IF AMP

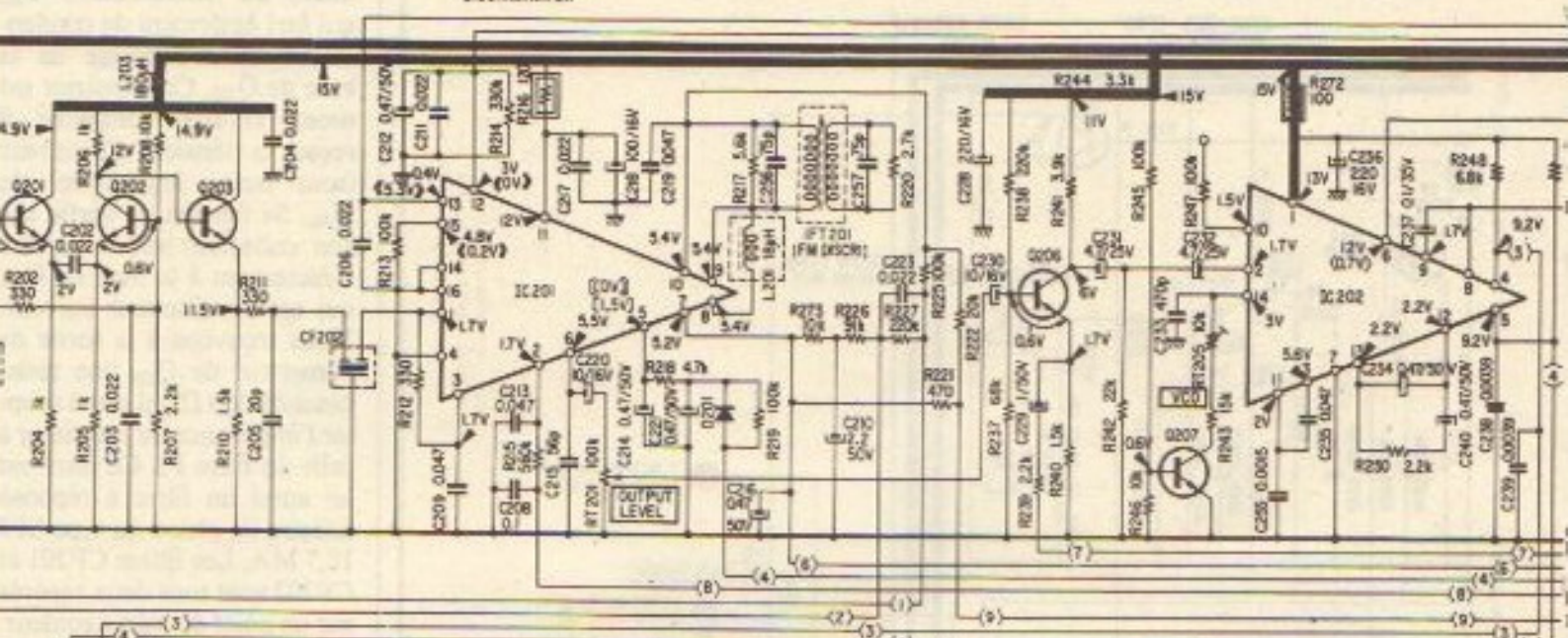
IC201 HA1137W
METER DRIVER
MUTING/FM IF AMP
DISCRIMINATOR

D201 1T22A
MUTING

Q206 2SC632A
FLAT AMP

Q207 2SC634A
VCO STOPPER

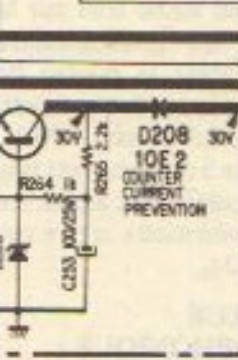
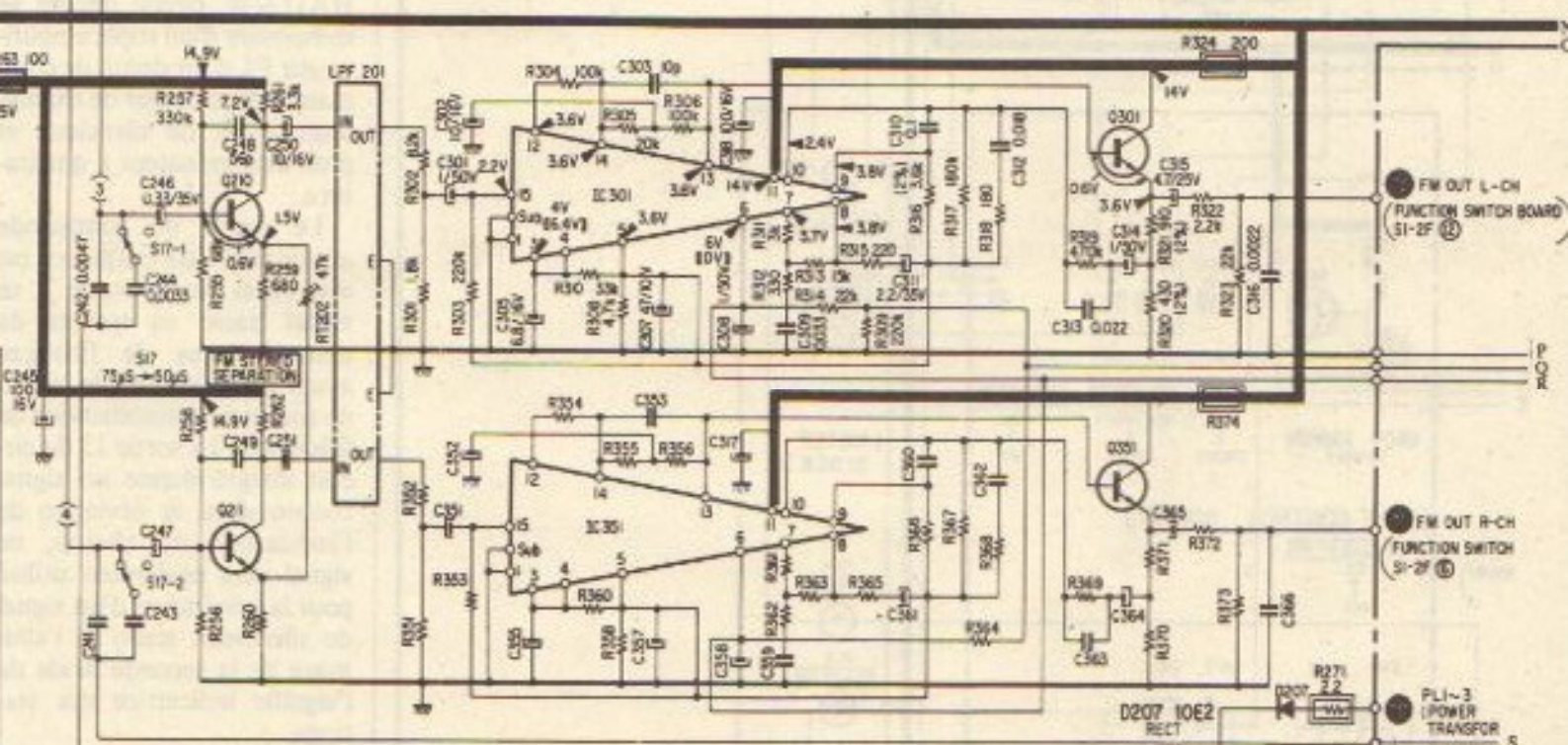
IC202 HA1156
MPX DECODER



Q210,211 2SC632A
FLAT AMP

IC301,351 CX064
DOLBY

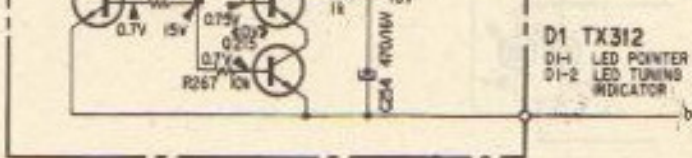
Q301,351 2SC632A
BUFFER AMP



- COM B+ (FUNCTION SWITCH BOARD SI-3F ①)
- AM OUT (FUNCTION SWITCH BOARD SI-2F ②)
- AM B+ (FUNCTION SWITCH BOARD SI-3F ③)
- POWER AMP BOARD C93 ④

Q213 2SC945
LAMP DRIVER

Q214,215 2SC945
LED DRIVER 15V



D1 TX312
D1-1 LED POINTER
D1-2 LED TUNING INDICATOR