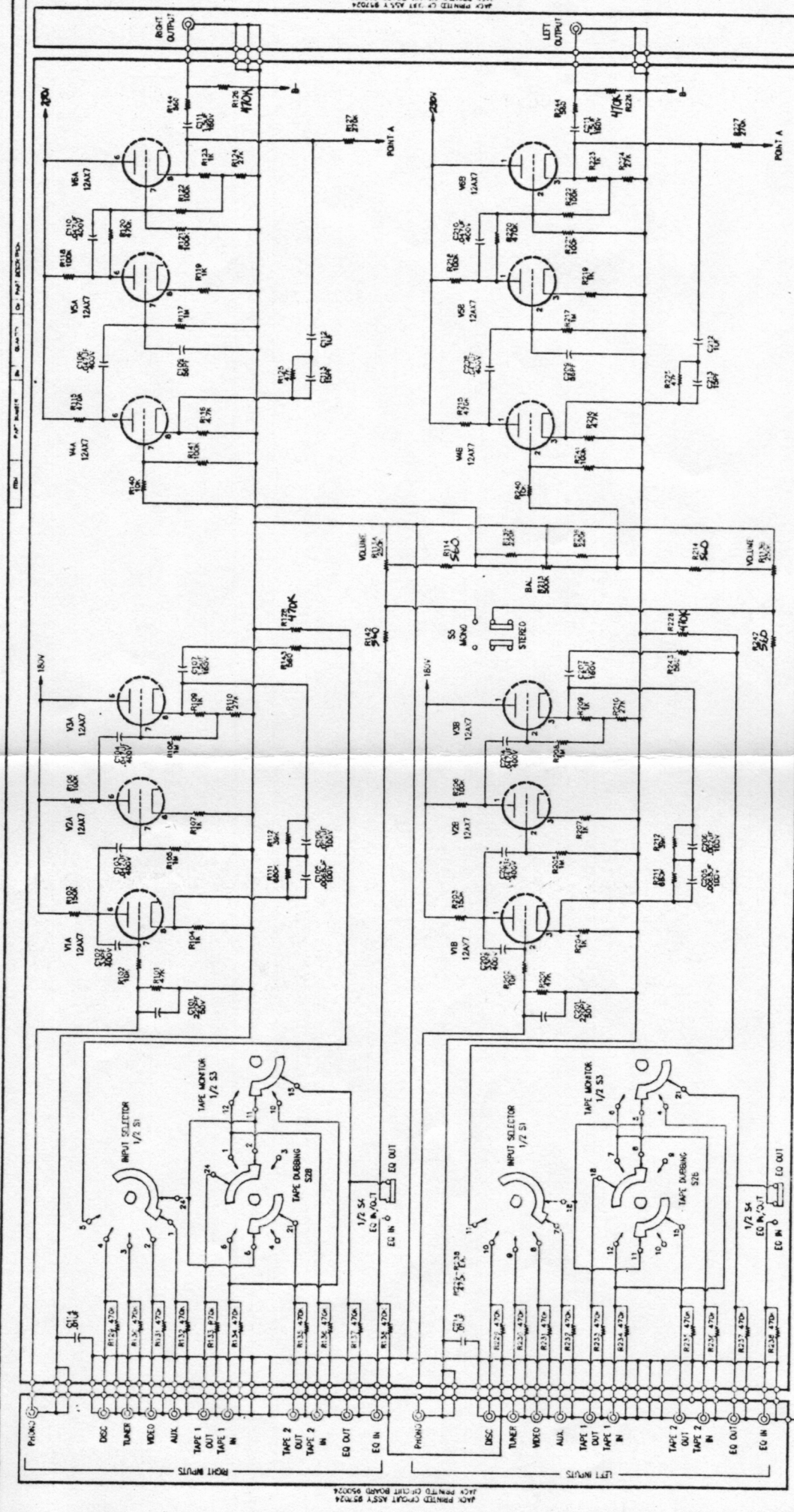


PRINTED CIRCUIT ASSY 95702-6  
 PRINTED CIRCUIT BOARD 950056

SOUNDVALUES  
 VTP-100 P.S.  
 © 1993



VTP-100 PREAMPLIFIER SCHEMATIC

10-92	DCIT WINDINGS	15	15
9-52	DCIT WINDINGS	15	15
7-52	DCIT WINDINGS	15	15
5-52	MFC RELEASE	15	15
4-52	MFC RELEASE	15	15
3-52	MFC RELEASE	15	15
2-52	MFC RELEASE	15	15
1-52	MFC RELEASE	15	15

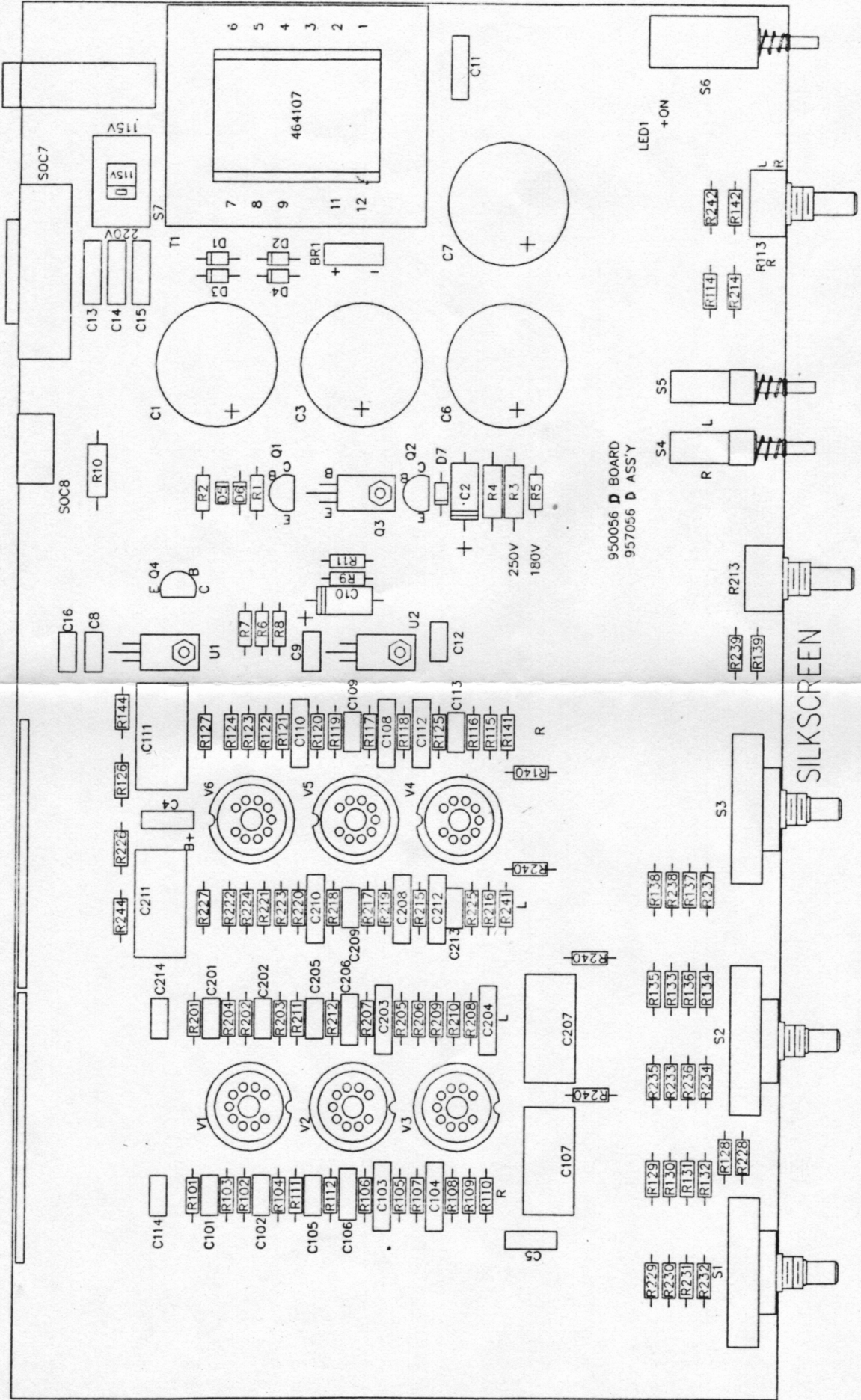
Sound Values

10-92	DCIT WINDINGS	15	15
9-52	DCIT WINDINGS	15	15
7-52	DCIT WINDINGS	15	15
5-52	MFC RELEASE	15	15
4-52	MFC RELEASE	15	15
3-52	MFC RELEASE	15	15
2-52	MFC RELEASE	15	15
1-52	MFC RELEASE	15	15

NOTED

VTP-100 PREAMPLIFIER SCHEMATIC

929107 D



SOUND VALUES  
VTP-100