



(For United Kingdom)

("EB" area code model only)

For your safety, please read the following text carefully.

This appliance is supplied with a moulded three pin mains plug for your safety and convenience.

A 5-ampere fuse is fitted in this plug.

Should the fuse need to be replaced please ensure that the replacement fuse has a rating of 5-ampere and that it is approved by ASTA or BSI to BS1362.

Check for the ASTA mark  or the BSI mark  on the body of the fuse.

If the plug contains a removable fuse cover you must ensure that it is refitted when the fuse is replaced.

If you lose the fuse cover the plug must not be used until a replacement cover is obtained.

A replacement fuse cover can be purchased from your local dealer.

CAUTION!

IF THE FITTED MOULDED PLUG IS UNSUITABLE FOR THE SOCKET OUTLET IN YOUR HOME THEN THE FUSE SHOULD BE REMOVED AND THE PLUG CUT OFF AND DISPOSED OF SAFELY.

THERE IS A DANGER OF SEVERE ELECTRICAL SHOCK IF THE CUT OFF PLUG IS INSERTED INTO ANY 13-AMPERE SOCKET.

If a new plug is to be fitted please observe the wiring code as shown below.

If in any doubt please consult a qualified electrician.

IMPORTANT

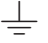
The wires in this mains lead are coloured in accordance with the following code:

Blue: Neutral, Brown: Live.

As these colours may not correspond with the coloured markings identifying the terminals in your plug, proceed as follows:

The wire which is coloured Blue must be connected to the terminal which is marked with the letter N or coloured Black or Blue.

The wire which is coloured Brown must be connected to the terminal which is marked with the letter L or coloured Brown or Red.

WARNING: DO NOT CONNECT EITHER WIRE TO THE EARTH TERMINAL WHICH IS MARKED WITH THE LETTER E, BY THE EARTH SYMBOL  OR COLOURED GREEN OR GREEN/YELLOW.

THIS PLUG IS NOT WATERPROOF—KEEP DRY.

Before use

Remove the connector cover.

How to replace the fuse

The location of the fuse differ according to the type of AC mains plug (figures A and B). Confirm the AC mains plug fitted and follow the instructions below.

Illustrations may differ from actual AC mains plug.

1. Open the fuse cover with a screwdriver.

Figure A

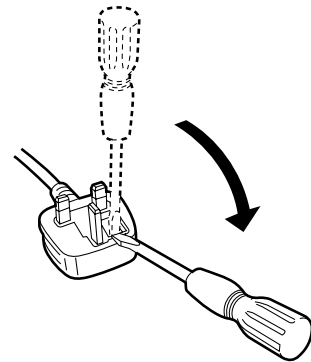
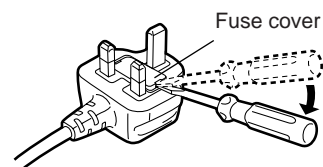


Figure B



2. Replace the fuse and close or attach the fuse cover.

Figure A

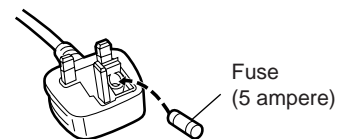
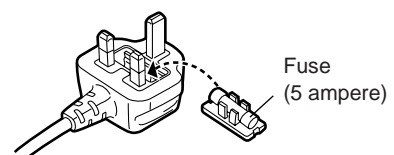
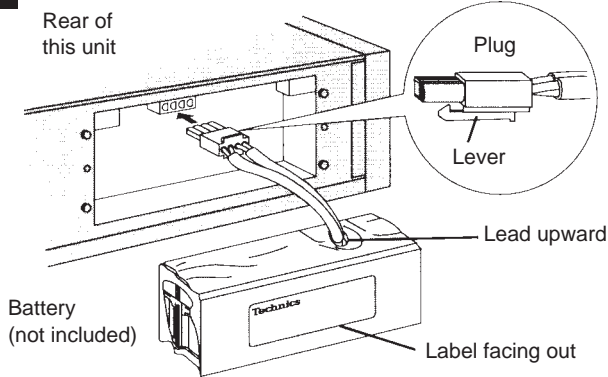
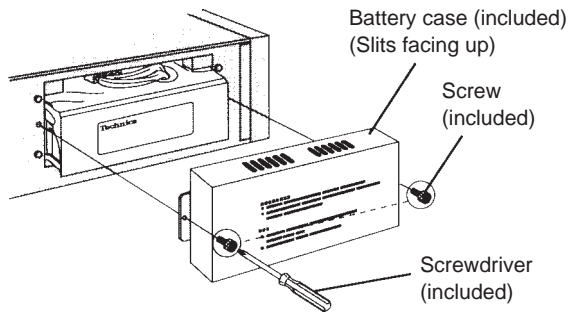
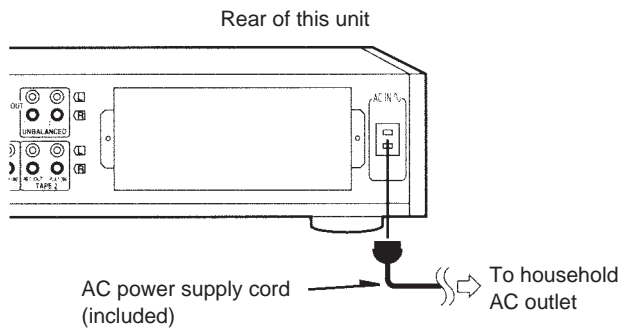
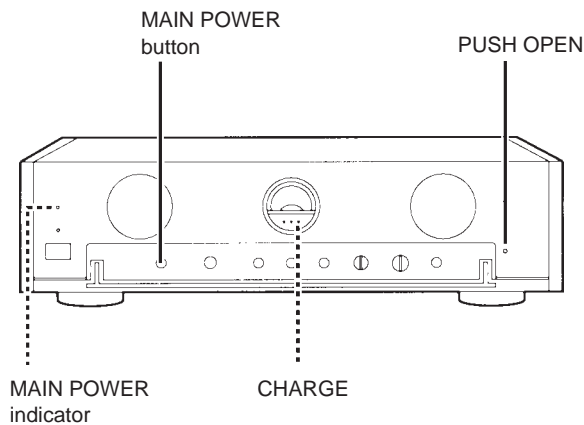


Figure B



1**2****3****4**

(For United Kingdom only)
BE SURE TO READ THE CAUTION FOR THE AC MAINS LEAD ON PAGE 3 BEFORE CONNECTION.

The battery takes 12 hours to fully charge. Before connection to other components, follow steps **1** to **4** so that the battery starts charging immediately.

Ensure [MAIN POWER] is off when installing or removing the battery.

1 Insert the plug of the battery into the jack inside the battery compartment.

To disconnect the plug

Lift the lever and pull.

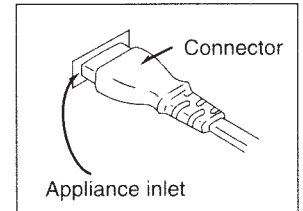
2 Put the battery into the compartment and attach the case with the two screws.

3 Connect the AC power cord.

Insertion of Connector

Even when the connector is perfectly inserted, depending on the type of inlet used, the front part of the connector may jut out as shown in the drawing.

However there is no problem using the unit.



4 Turn the MAIN POWER on.

- ① Press [PUSH OPEN] to open the cover panel.
- ② Press [MAIN POWER] button to select **ON**.
( → )

MAIN POWER indicator lights up.

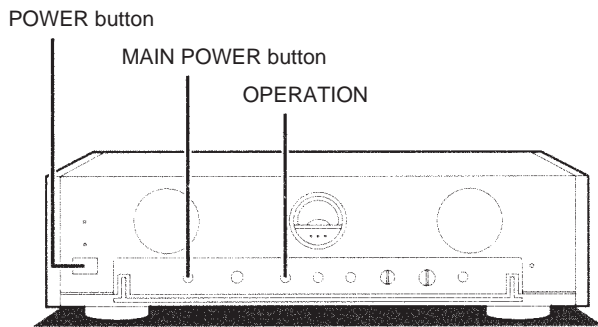
Charging of the battery starts.

The CHARGE indicator lights while the battery is charging and goes out when fully charged.

Now carry out the connections and operations on the following pages, leaving MAIN POWER ON to charge the battery.

Note

For your safety, POWER should be left standby until all other connections are complete.



Battery power and this unit's power system

Recently, audio makers have been looking at the polarity of the power cords used with systems in an effort to reduce noise caused by power sources as much as possible. Batteries are independent from AC power sources and so noise caused by power transfer is cut, making them the ideal source for audio equipment.

This unit uses a 2×12 V 2.2 Ah sealed lead-acid battery for better sound quality.

Features

The battery is charging whenever MAIN POWER is on and DC is not selected as the power source. This means recharging takes no extra trouble.

Normal on/standby operation is done with the POWER button, and switching between AC and DC operation is done with OPERATION.

Note

Observe the following points for your safety and to keep the battery performing well for as long as possible.

- The battery used is a lead acid battery. It differs from regular Ni-Cd rechargeable batteries in that if it is fully discharged, recharging may be impossible. Ensure that the battery is recharging whenever it is not being used, leave MAIN POWER ON and switch to AC power after finishing with the battery. There is no danger of over-charging the battery.
- Avoid overheating.
If the unit is to be used in a rack, leave the rear of the rack open, leave some space between the unit and the wall, and allow sufficient ventilation.
- If you decide not to use the battery, fully recharge it, remove it from the unit, and store it in a cool, dry place. The battery still naturally discharges in this condition, so every 6 months reconnect to the unit and recharge it.
- If the unit itself is not to be used for a long period, fully recharge the battery, switch MAIN POWER off, and unplug the power cord from the outlet (recharging is unnecessary for a month if this is done). Recharge the battery again before use.

Replacing the battery

If effective life of the battery reduces to about 3–4 hours even after being fully recharged, the battery is approaching the end of its serviceable life.

Stereo connection cable

White (L)
Red (R)

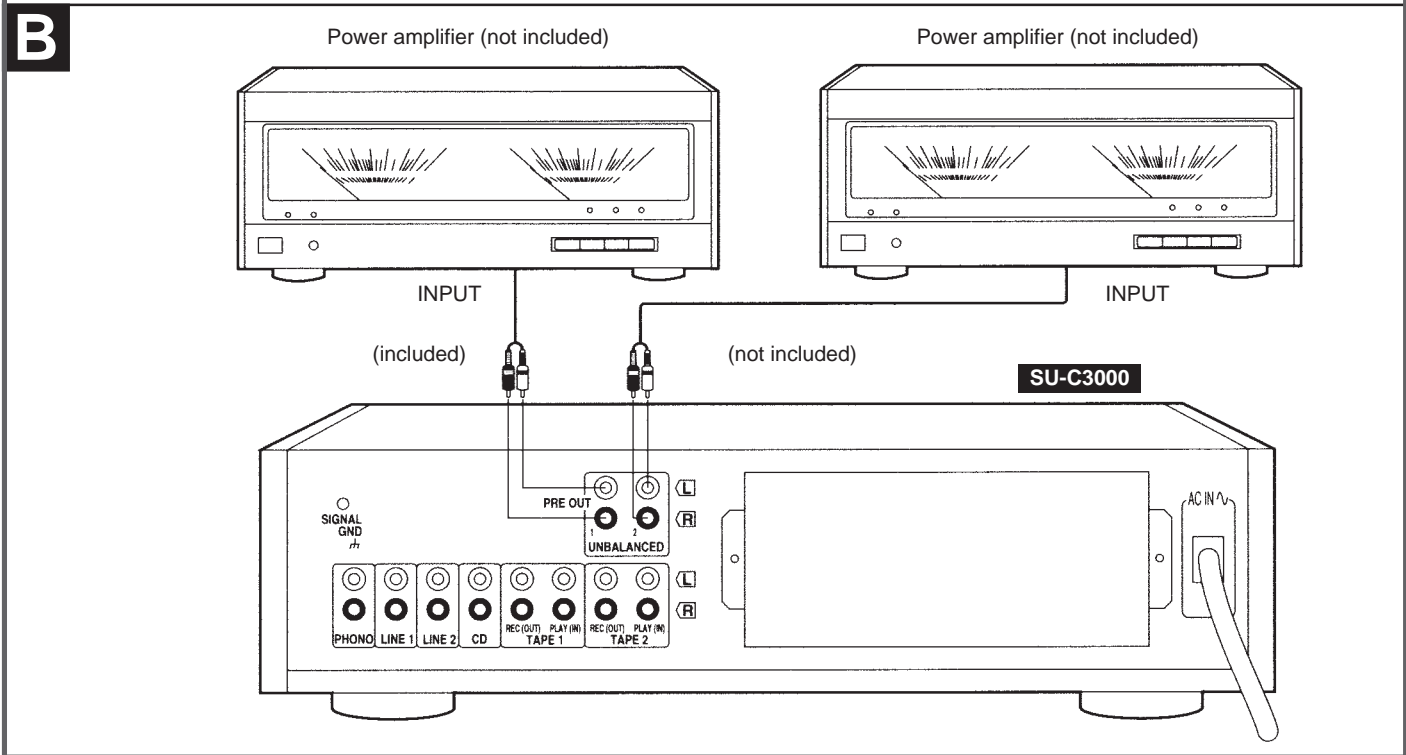
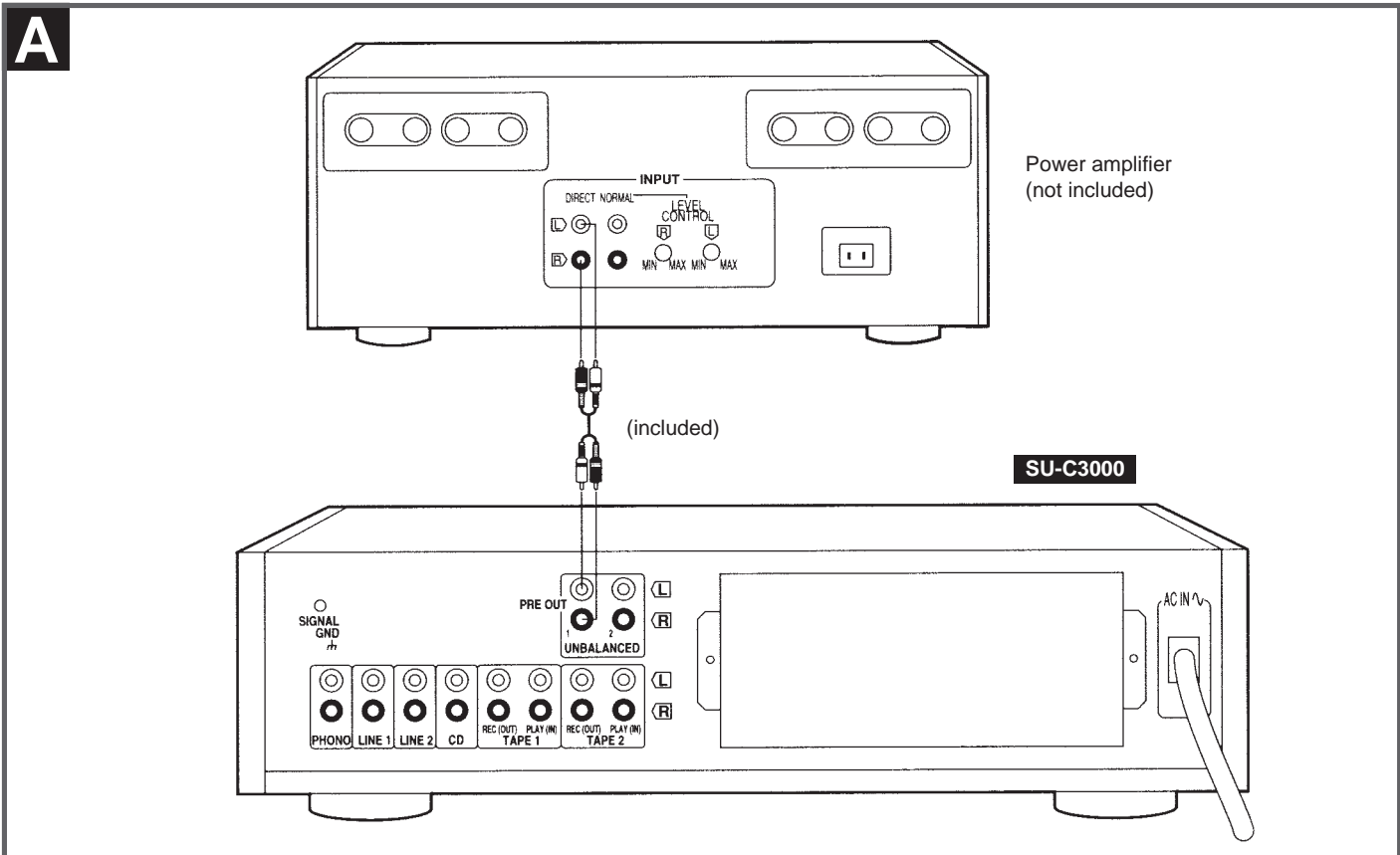


Connections can be made with [MAIN POWER] on but [POWER] should be switched to standby.

Connecting a power amplifier

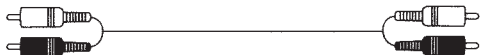
PRE OUT 2 terminals

For connecting a second power amplifier. Using the PRE OUT 2 terminals allows you to make use of bi-amp and biwiring.



Stereo connection cable

White (L)
Red (R)



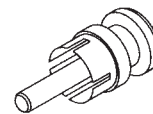
Connecting other audio components

PHONO terminals

Connect to a turntable only. Do not connect any other sound source to these terminals.

The short-pin

The short-pin in the PHONO jacks is there to prevent noise. Leave it inserted when not using these jacks. Do not insert into any of the other jacks, as this can cause damage.



LINE 1 and LINE 2 terminals

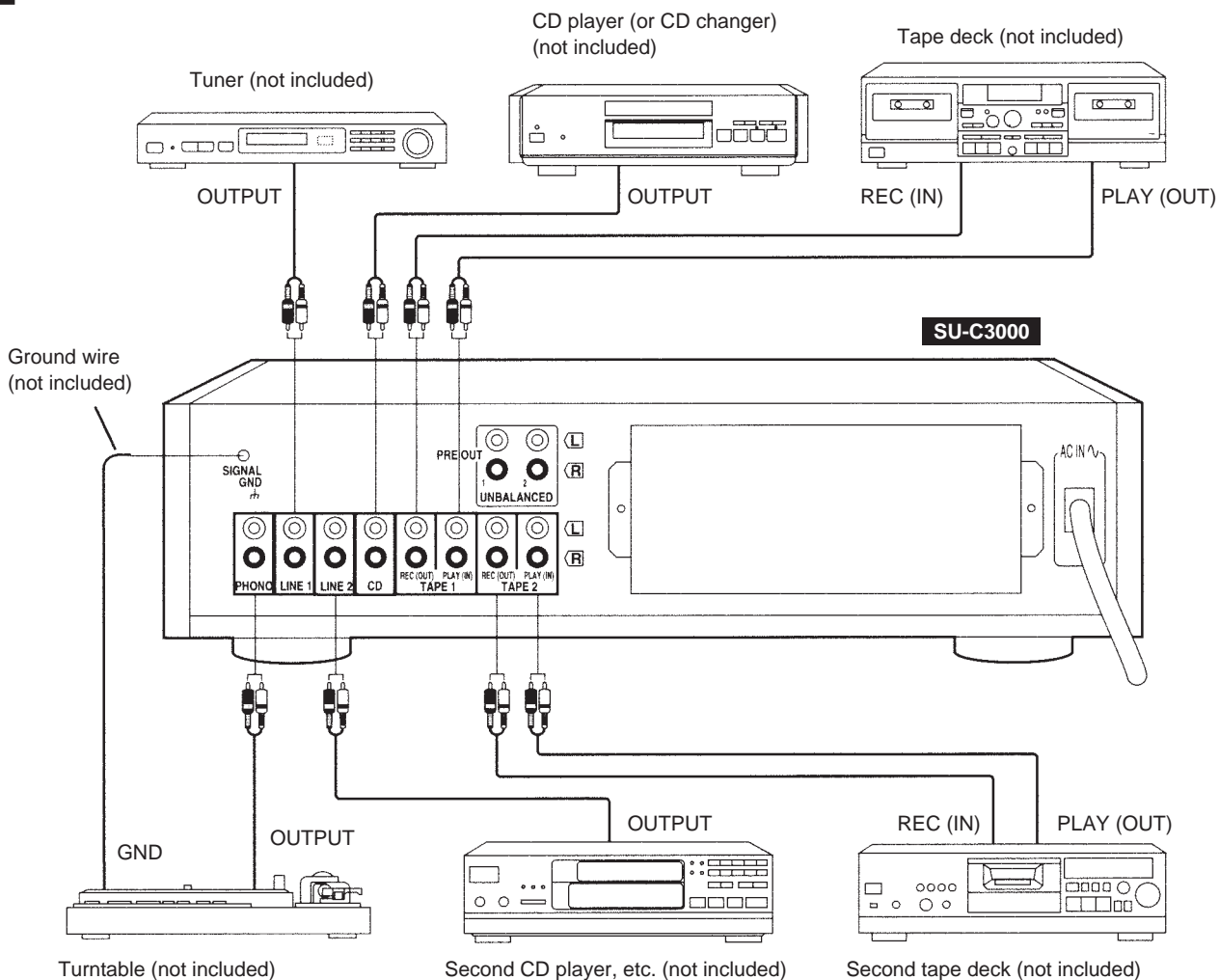
Connect to extra components, such as a tuner, second CD player, etc.

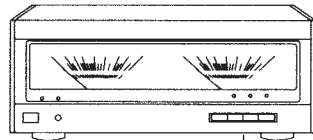
When connecting a graphic equalizer

Connect it between the PRE OUT terminals of this unit and the INPUT terminals of the power amplifier. **B**

If sound quality is not satisfactory, connect it between this unit's TAPE terminals and the tape deck. **C**

A

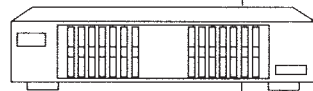


BPower amplifier
(not included)

INPUT

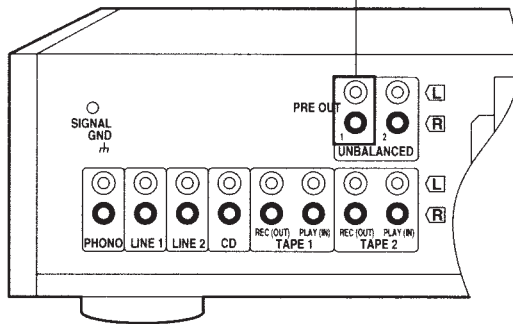
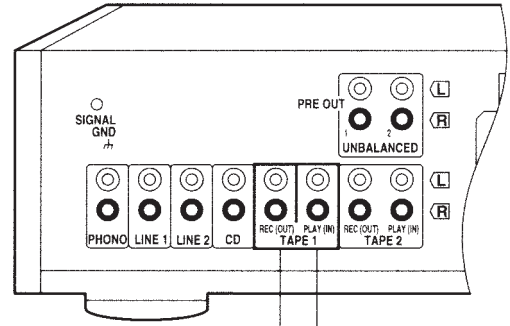
(not included)

OUTPUT

Graphic equalizer
(not included)

INPUT

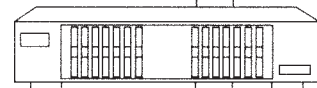
(included)

**SU-C3000****C****SU-C3000**

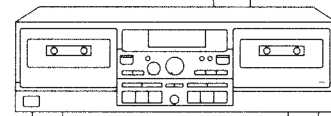
(not included)

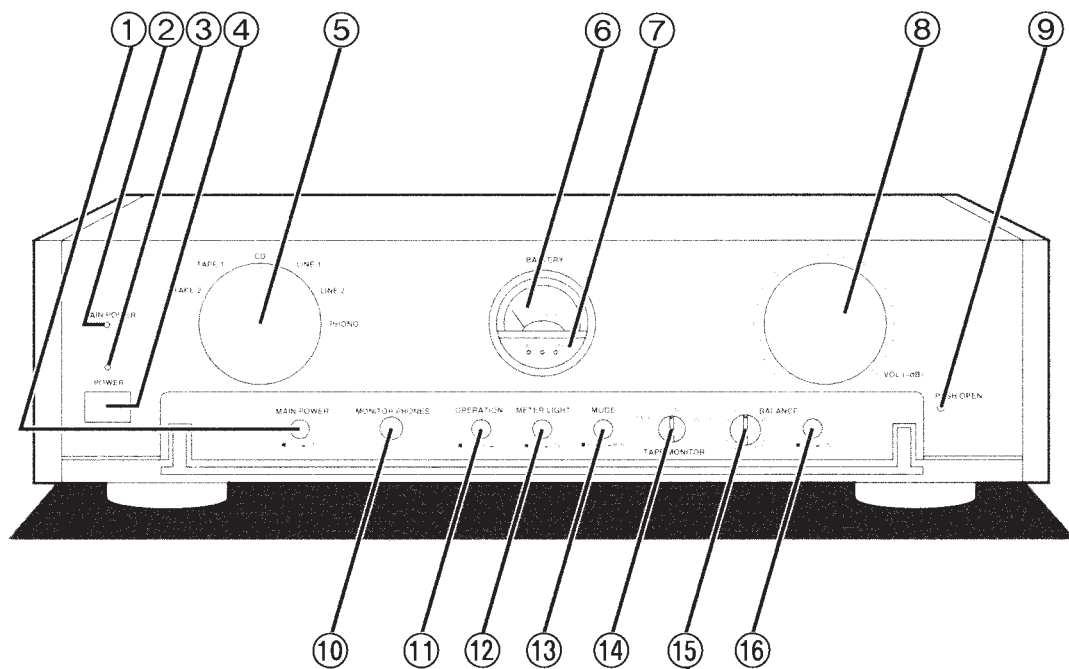
INPUT

OUTPUT

Graphic equalizer
(not included)TAPE REC
(OUT)TAPE PLAY
(IN)

(not included)

REC
(IN)PLAY
(OUT)Tape deck
(not included)

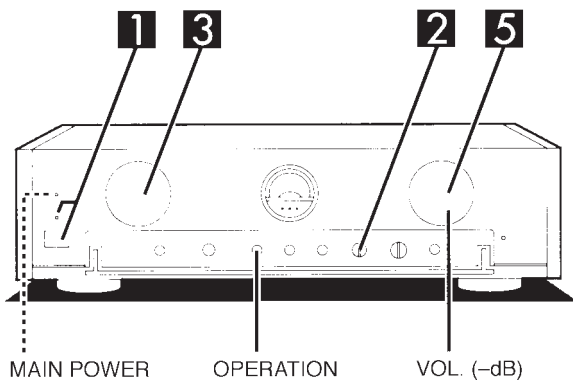


No.	Name
-----	------

- ① **Main power switch**
[MAIN POWER, OFF ON]
- ② **Main power indicator [MAIN POWER]**
Lights when [MAIN POWER] is on (), indicating the unit is in standby mode. Recharging begins if the rechargeable battery is connected and its voltage is low. While this indicator is lit, pressing [POWER] switches the unit between on and standby.
- ③ **Power indicator [POWER]**
- ④ **Power “ STANDBY ON ” switch**
[POWER, STANDBY ON]
Press to switch the unit from on to standby mode and vice versa when [MAIN POWER] is on. In standby mode, the unit is still consuming a small amount of power.
- ⑤ **Input selector**
- ⑥ **Voltage meter [BATTERY]**

No.	Name
-----	------

- ⑦ **Operation indicators [AC, DC, CHARGE]**
AC: Lights when operating on AC power.
DC: Lights when operating on the battery.
CHARGE: Lights when battery is charging.
- ⑧ **Volume control [VOL. (-dB)]**
- ⑨ **Panel open button [PUSH OPEN]**
Press to open the panel.
Close by hand.
- ⑩ **Headphone jack [MONITOR PHONES]**
- ⑪ **AC/DC operation button [OPERATION]**
- ⑫ **Voltage meter light button [METER LIGHT]**
- ⑬ **Mode selector [MODE]**
- ⑭ **Tape-monitor selector [TAPE MONITOR]**
- ⑮ **Balance control [BALANCE]**
- ⑯ **Balance control ON-OFF button**
[OFF ON]



Preparations:

- Check the MAIN POWER indicator is illuminated.
- Set the volume control [VOL. (-dB)] to the "∞" position.

1 Press [POWER] button to select **ON**.
POWER indicator lights up.
Next, switch on the power of the power amplifier.

2 Turn [TAPE MONITOR] to select **SOURCE**.

3 Turn the selector to select the desired **source**.

TAPE 2: Set to this position to listen to tapes from the tape deck connected to the TAPE 2 terminals.

TAPE 1: Set to this position to listen to tapes from the tape deck connected to the TAPE 1 terminals.

CD: Set to this position to listen to compact discs from the CD player (or CD changer) connected to the CD terminals.

LINE 1: Set to this position to listen to equipment connected to the LINE 1 terminals.

LINE 2: Set to this position to listen to equipment connected to the LINE 2 terminals.

PHONO: Set to this position to listen to phono discs from the turntable connected to the PHONO terminals.

4 **Start the desired source.**
Refer to the appropriate operating instructions for details.

5 **Adjust the volume.**

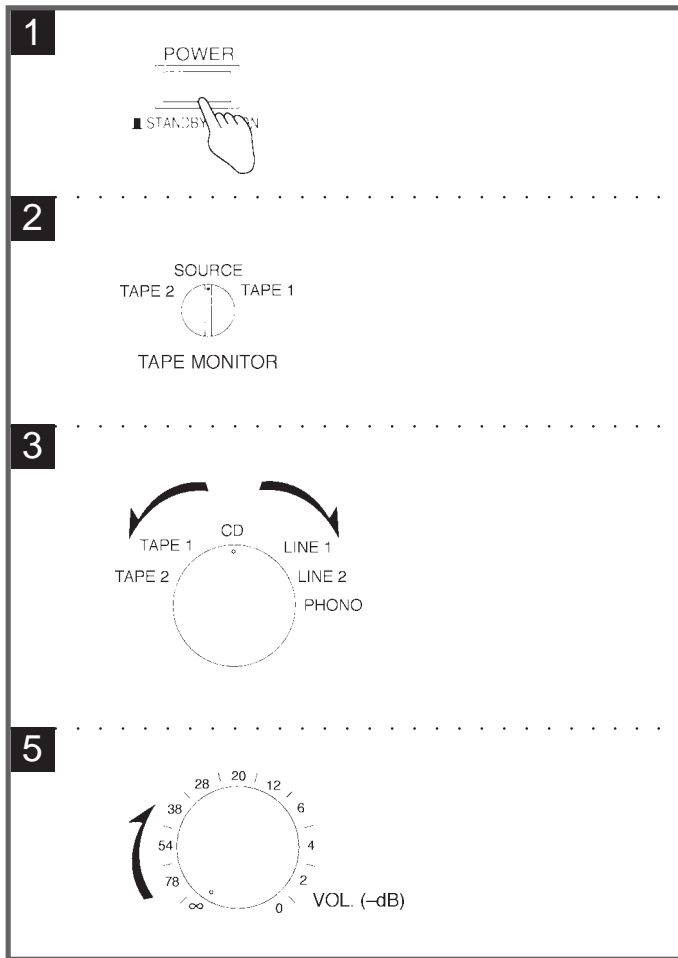
After you are finished

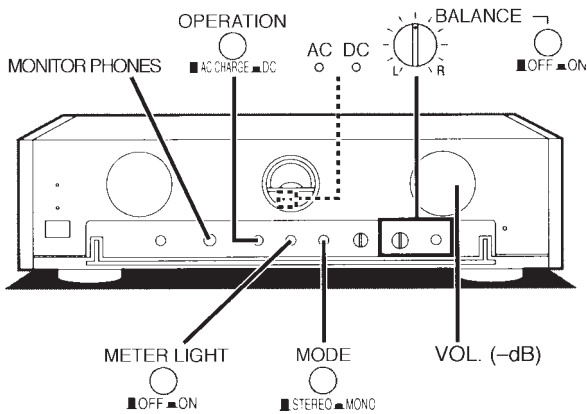
1. Set the volume control [VOL. (-dB)] to the "∞" position.
2. Turn off the power of the power amplifier.
3. Turn the POWER to this and the other units off.

When using a timer, OPERATION should be left in the **AC/CHARGE** position.

Note

MAIN POWER should normally be left on when POWER is turned off.





Switching between AC and DC operation A

AC operates the unit on regular household power, DC operates the unit by the battery.

To change to DC

Press [OPERATION] to select DC.
DC indicator illuminates.

To change to AC

Press [OPERATION] to select AC/CHARGE.
AC indicator illuminates.

Ensure AC/CHARGE is selected if the battery is not installed.

Sound is interrupted for about 3 seconds when the power source is changed.

A fully charged battery can operate the unit for a maximum of 6 hours.

The unit automatically switches to AC when battery voltage falls below about 10.5 V.

To adjust the sound balance B

- ① Press [BALANCE] button to select ON.
- ② Turn [BALANCE] control to adjust the left/right sound balance.

When balance adjustments are unneeded

Press [BALANCE] button to select OFF.

To listen in the monaural mode C

Press [MODE] to select MONO.

The left and right sounds will be mixed, and the same sounds will be heard from both speakers.

Leave [MODE] in the STEREO position for normal operation.

To listen through headphones D

- ① Set the volume control [VOL. (-dB)] to the "∞" position.
- ② Connect the headphones.
Plug type: 6.3 mm stereo
- ③ Adjust the volume.

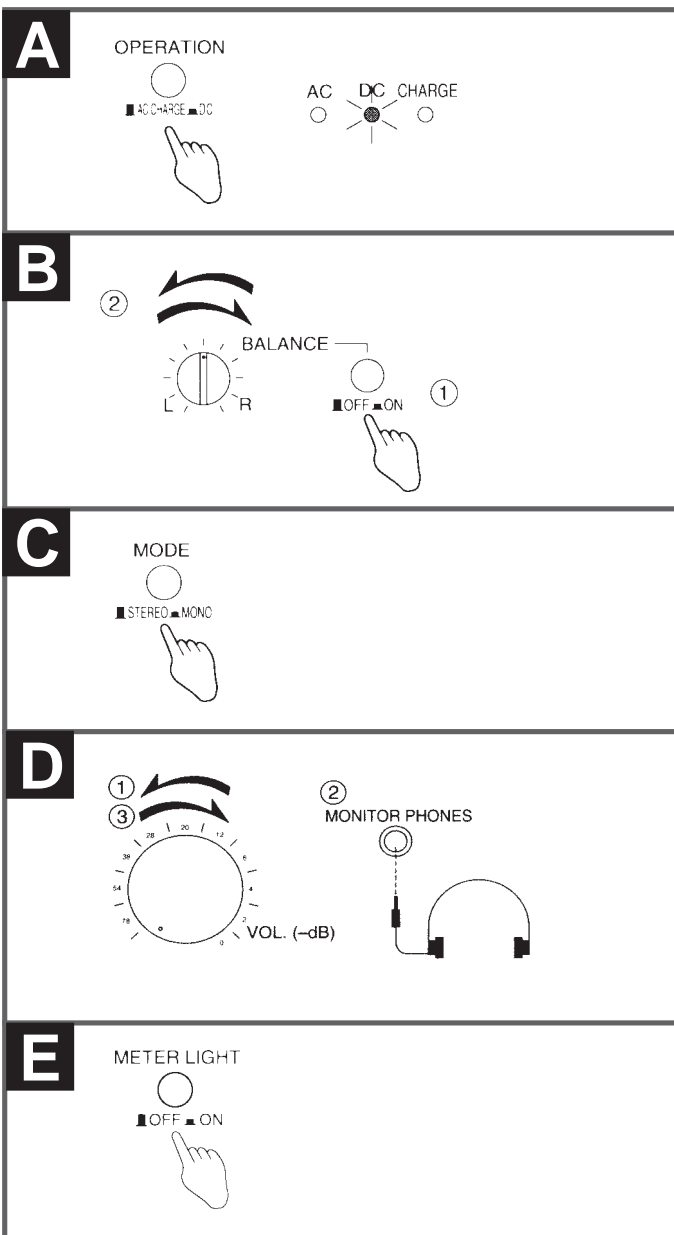
Note

Avoid listening for prolonged periods of time to prevent hearing damage.

To turn on the meter light E

Press [METER LIGHT].

Press again to turn off.



To check the power source and charging condition

The voltage meter and operation indicators allow you to check the power source being used and the charging condition of the battery.

The following apply when MAIN POWER is ON.

Charging **(A)**

POWER is standby and the battery is recharging.
The needle remains still.

AC source, charging **(B)**

The unit is operating on AC power and the needle indicates the charge in the battery.

This occurs in the following two situations.

- OPERATION is in the **AC/CHARGE** position.
- OPERATION is in the **DC** position but the unit switched to recharging because the battery charge fell below 10.5 V.

Operating on AC **(C)**

The unit is operating on AC and the battery is fully charged.
(No volts are being used for charging so the needle remains still.)

The same condition occurs if the battery is not installed.

Operating on DC **(D)**

The unit is operating by battery.

The needle is in the green zone, indicating the charge in the battery.

The unit switches to AC source, charging **(B)** when the voltage falls below 10.5 V. See "When battery voltage falls below 10.5 V" below.

Not operating or charging **(E)**

POWER is standby and the battery is fully charged.

When battery voltage falls below 10.5 V

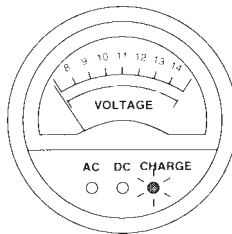
- There is some variation in the needle indication. For this reason, the needle may not exactly indicate 10.5 V when the unit automatically switches from DC to AC.
- It takes approximately 12 hours for the battery to fully charge. The unit cannot be operated on DC during this time. The indicators change to **(C)** or **(E)** when charging is complete.

For your reference

- The battery takes approximately 12 hours to charge irrespective of the charge left in the battery when charging starts. If you begin charging before the battery falls below 10.5 V, then you can use DC power before the battery has completely charged.
- When the battery is approaching full charge, the needle fluctuates in the area between 13.5 V and the upper limit (when POWER is ON). This occurs because charging is nearly finished and does not indicate a malfunction.

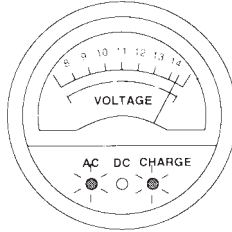
(A)

BATTERY



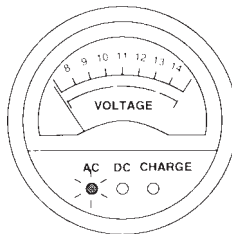
(B)

BATTERY



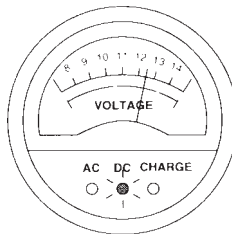
(C)

BATTERY



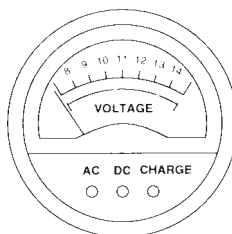
(D)

BATTERY



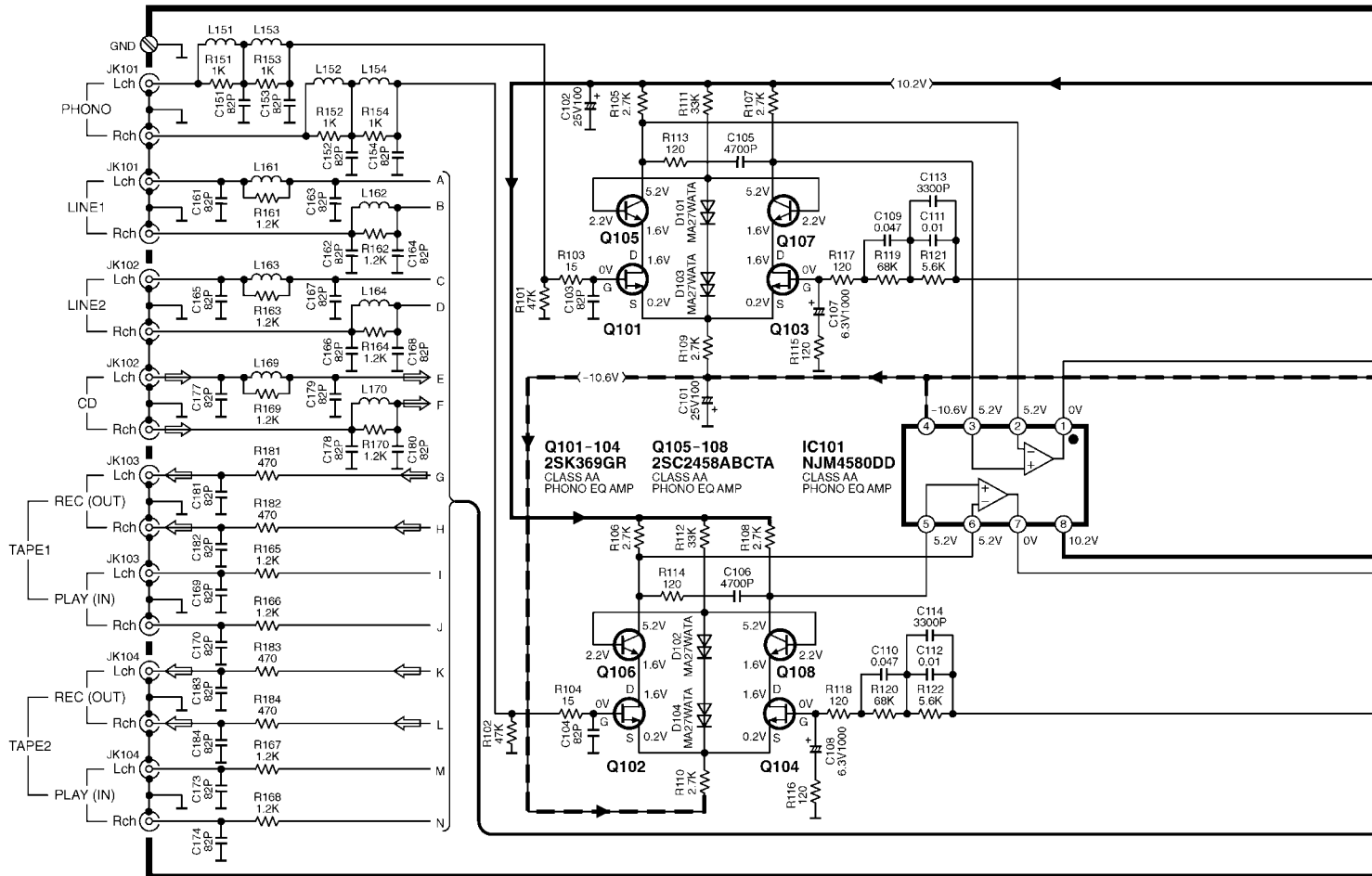
(E)

BATTERY



A MAIN CIRCUIT (P.C.Board: on pages 26,27)

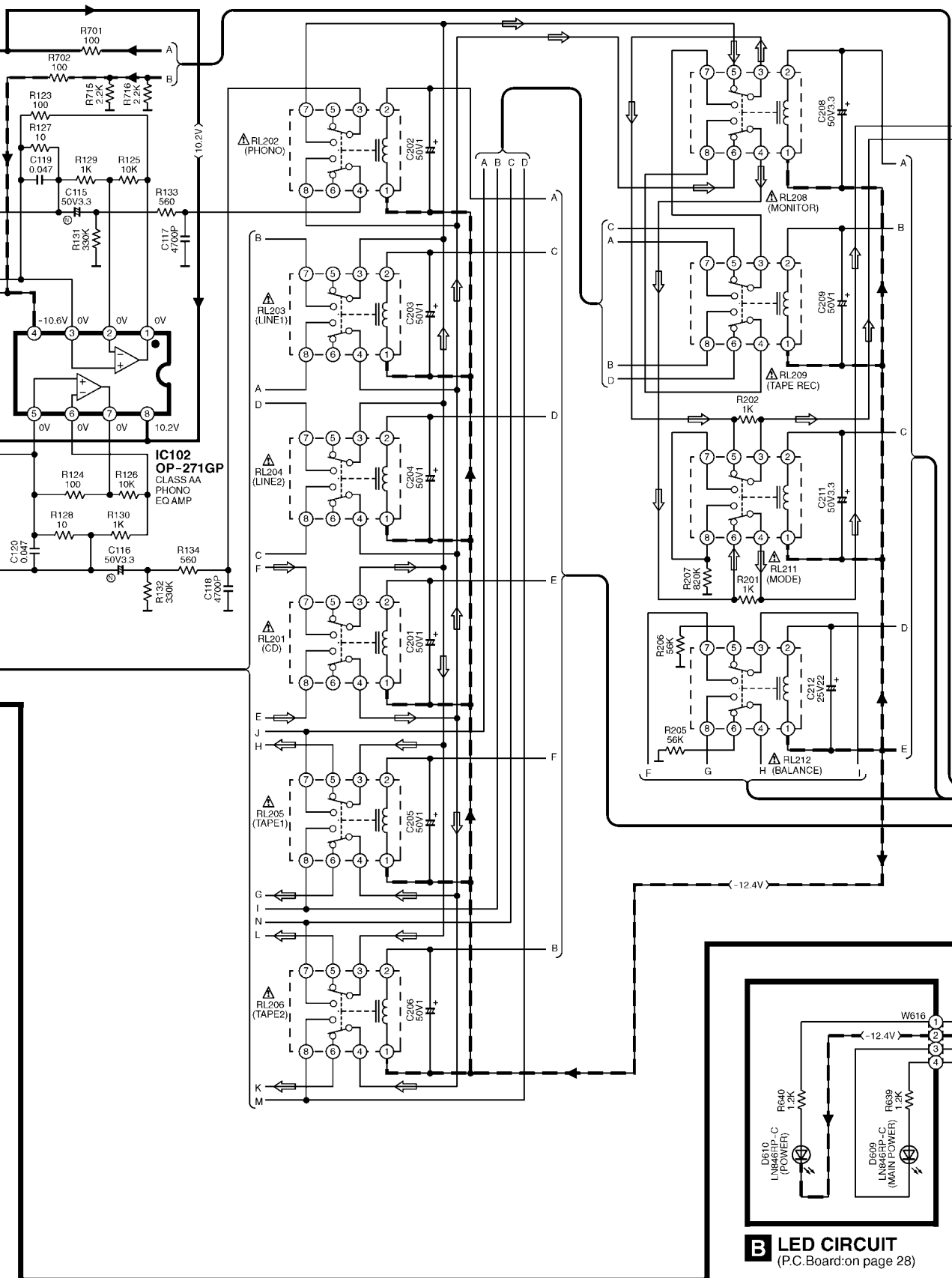
: POSITIVE VOLTAGE LINE
 : NEGATIVE VOLTAGE LINE
 : SOURCE SIGNAL LINE



→ : POSITIVE VOLTAGE LINE

---> : NEGATIVE VOLTAGE LINE

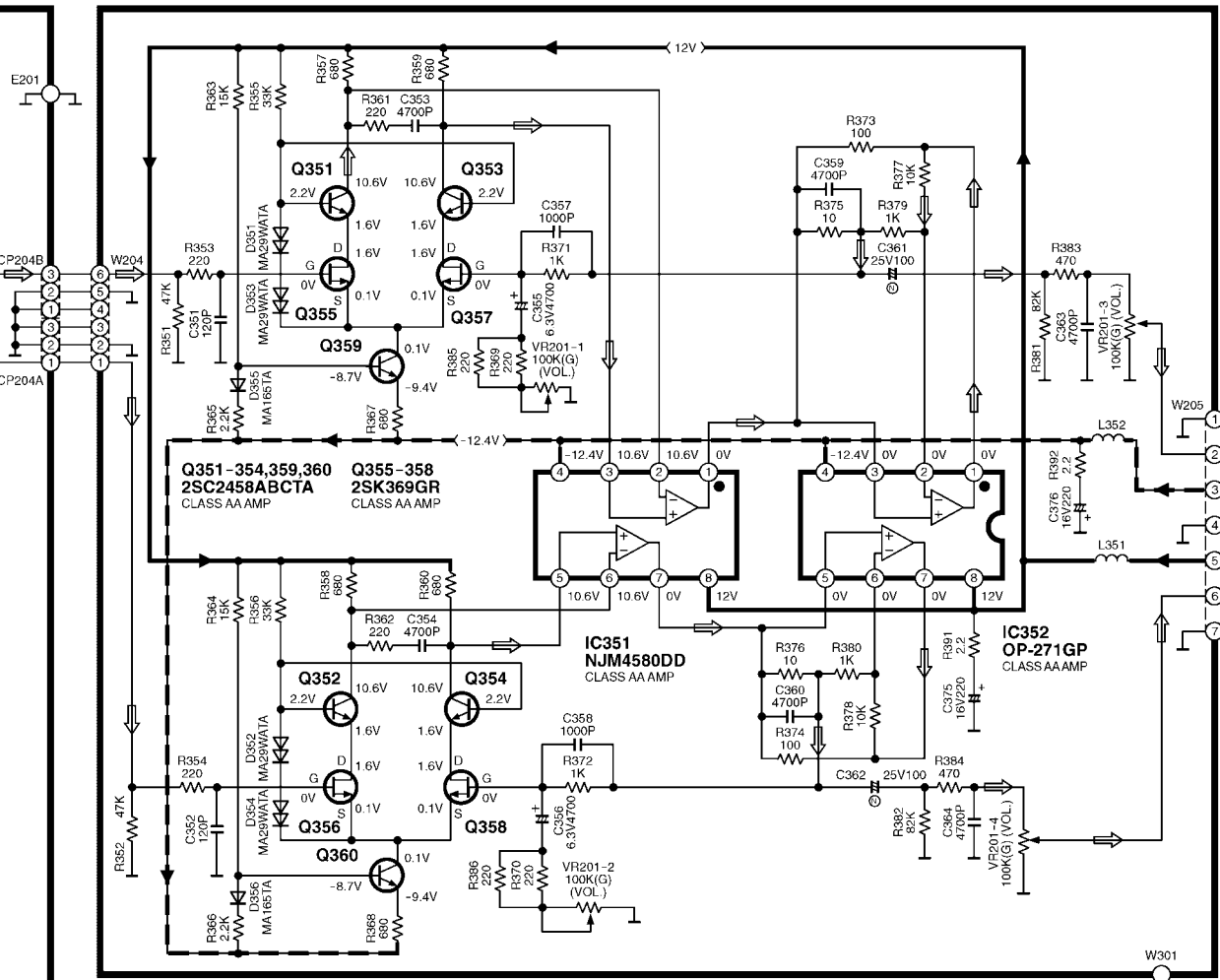
⇨ : SOURCE SIGNAL LINE



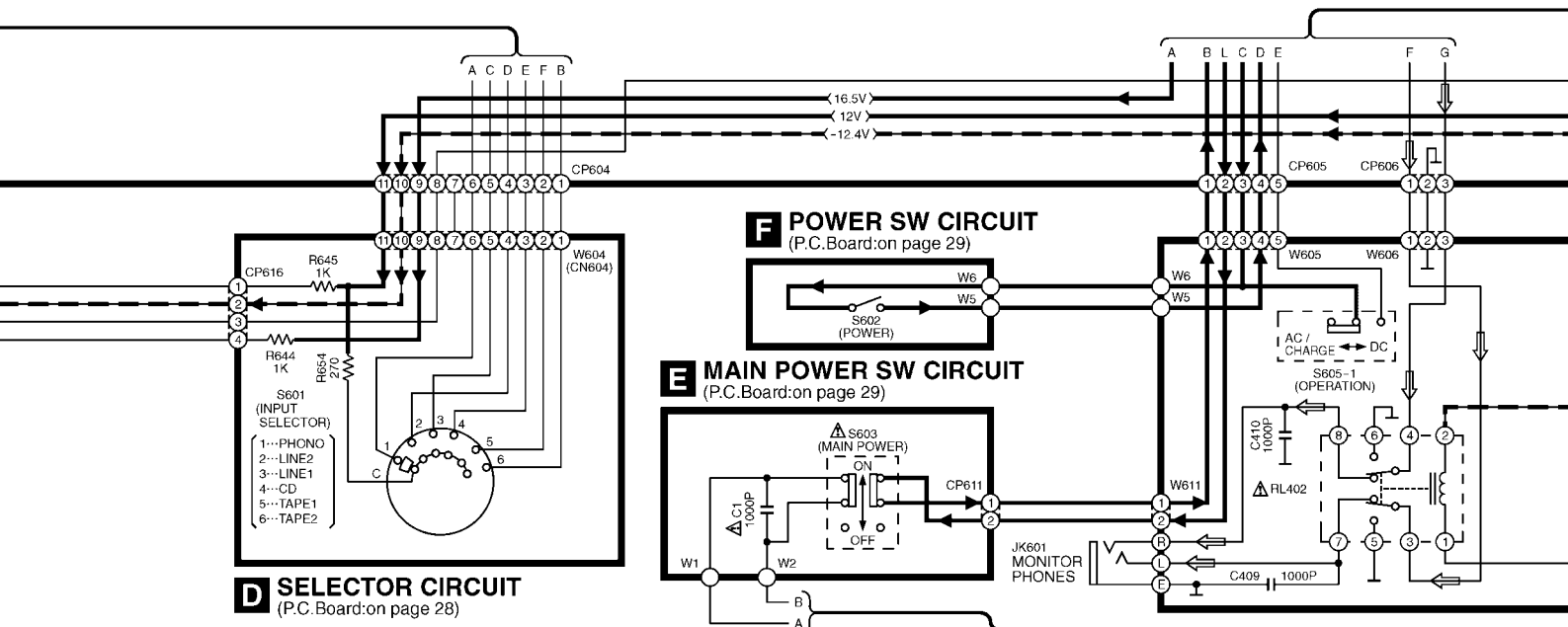
B LED CIRCUIT
(P.C. Board: on page 28)

C VOLUME CIRCUIT (P.C.Board: on page 28)

→ : POSITIVE VOLTAGE LINE
- - - : NEGATIVE VOLTAGE LINE
⇨ : SOURCE SIGNAL LINE



A MAIN CIRCUIT (P.C.Board: on pages 26,27)



D SELECTOR CIRCUIT (P.C. Board: on page 28)

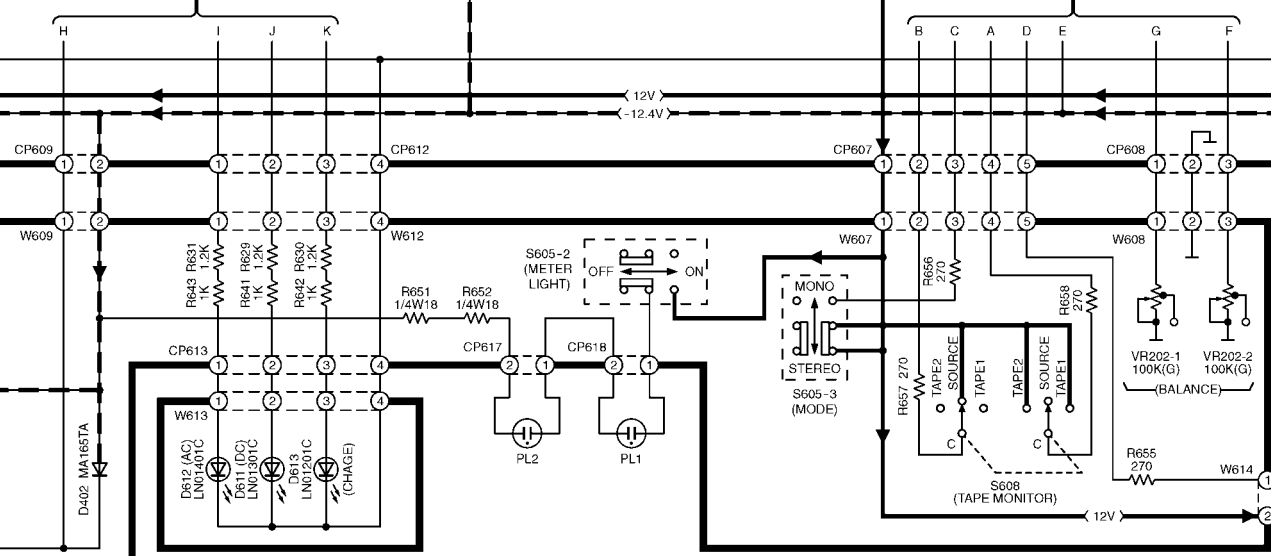
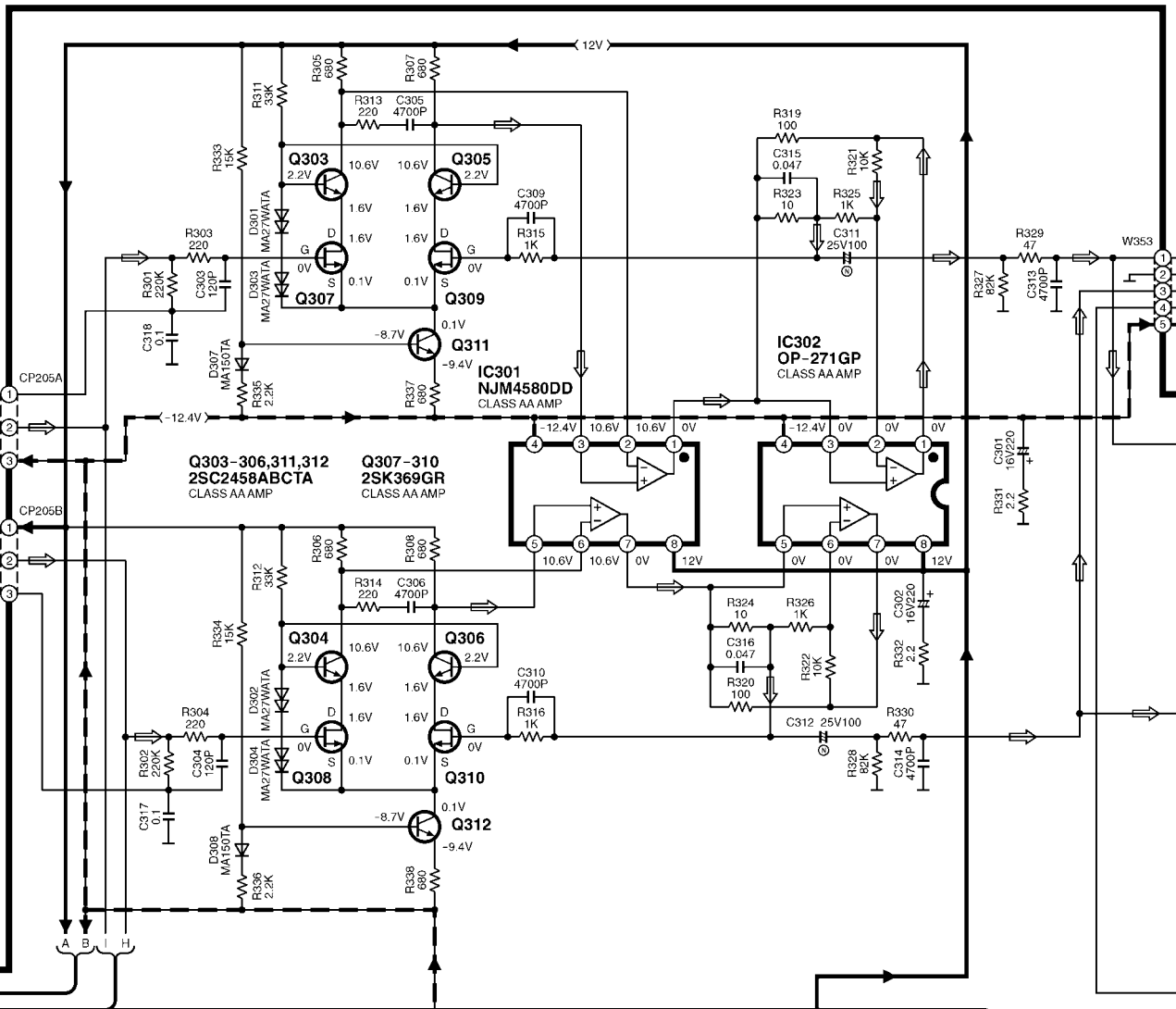
E MAIN POWER SW CIRCUIT (P.C.Board: on page 29)

F POWER SW CIRCUIT (P.C.Board: on page 29)

→ : POSITIVE VOLTAGE LINE

→ : NEGATIVE VOLTAGE LINE

⇨ : SOURCE SIGNAL LINE

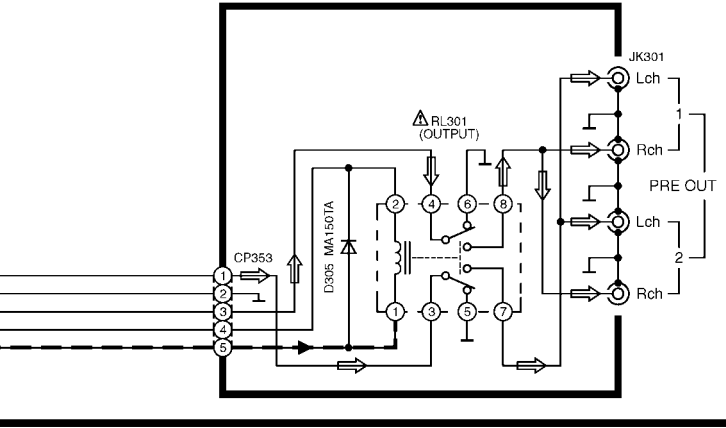


G METER LED CIRCUIT
(P.C. Board: on page 29)

H OPERATION CIRCUIT
(P.C. Board: on page 29)

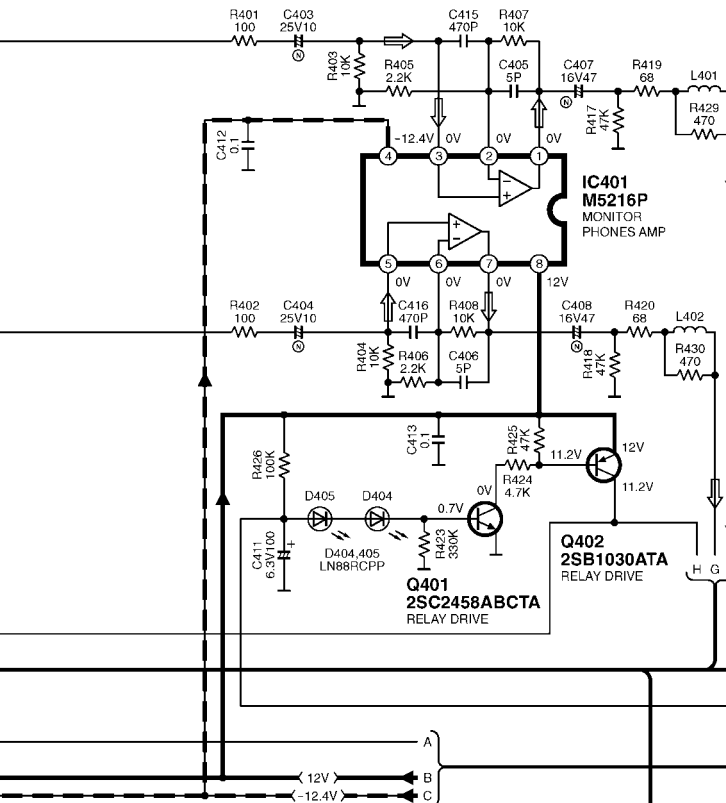
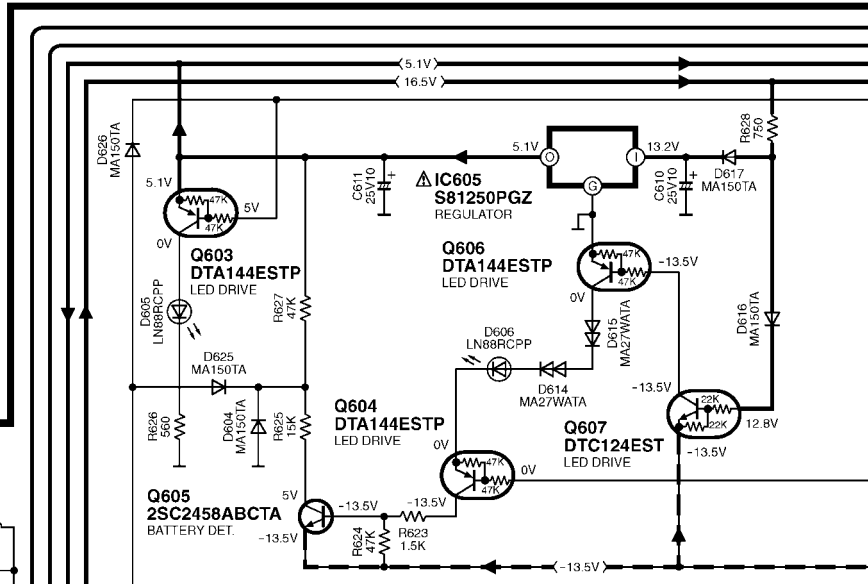
I PRE OUT TERMINAL CIRCUIT

(P.C. Board: on page 28)



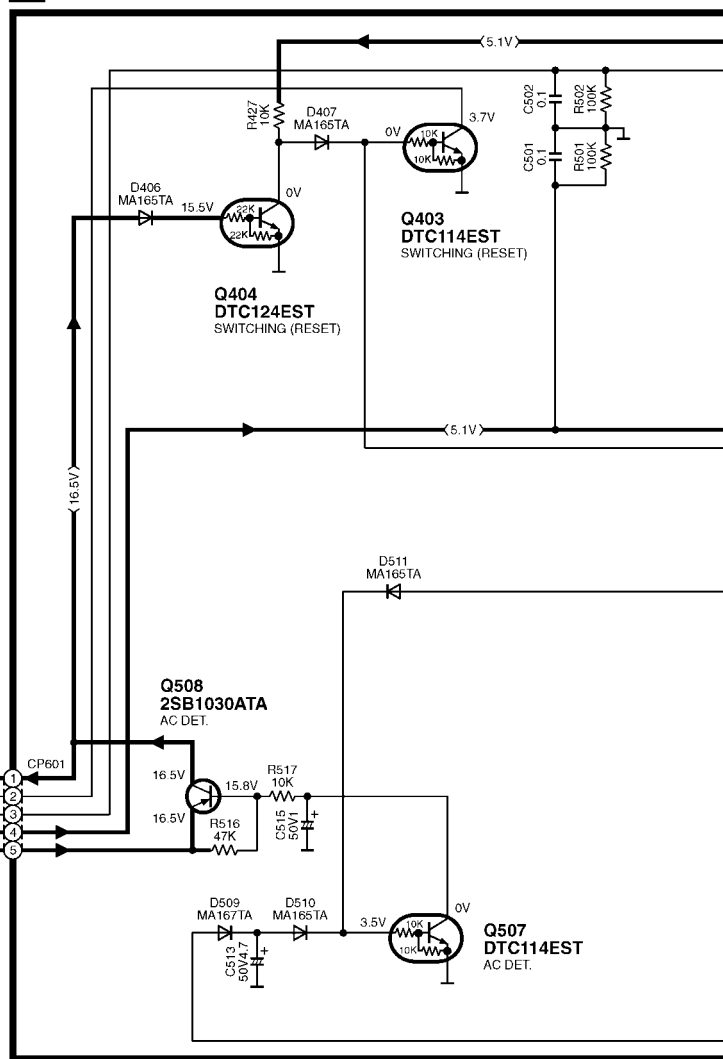
A MAIN CIRCUIT

(P.C. Board: on pages 26,27)



K RELAY CONTROL CIRCUIT

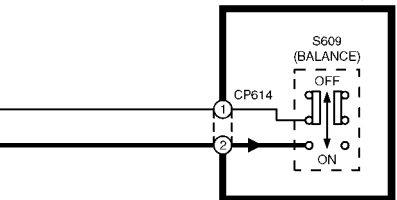
(P.C. Board: on page 30)



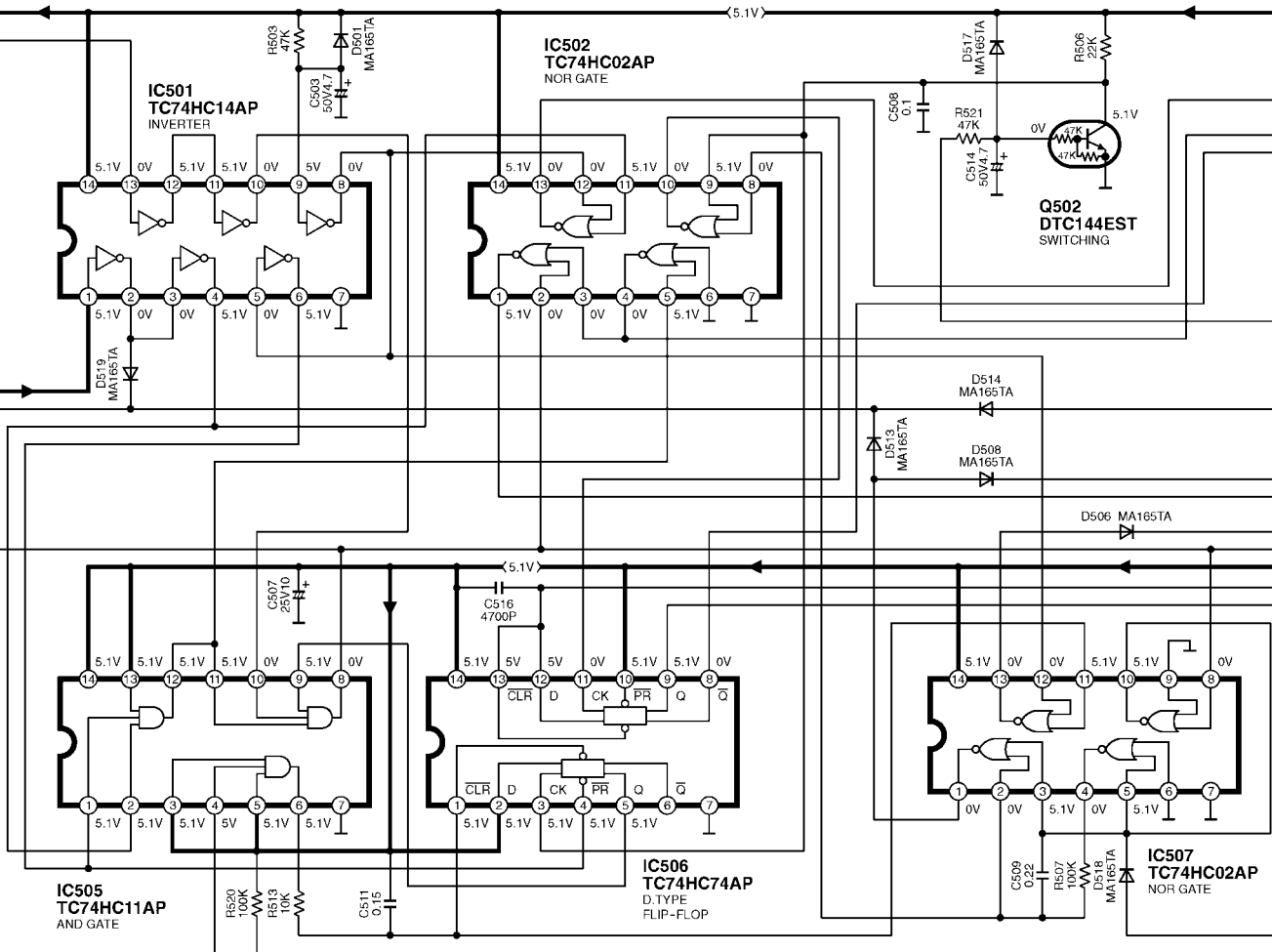
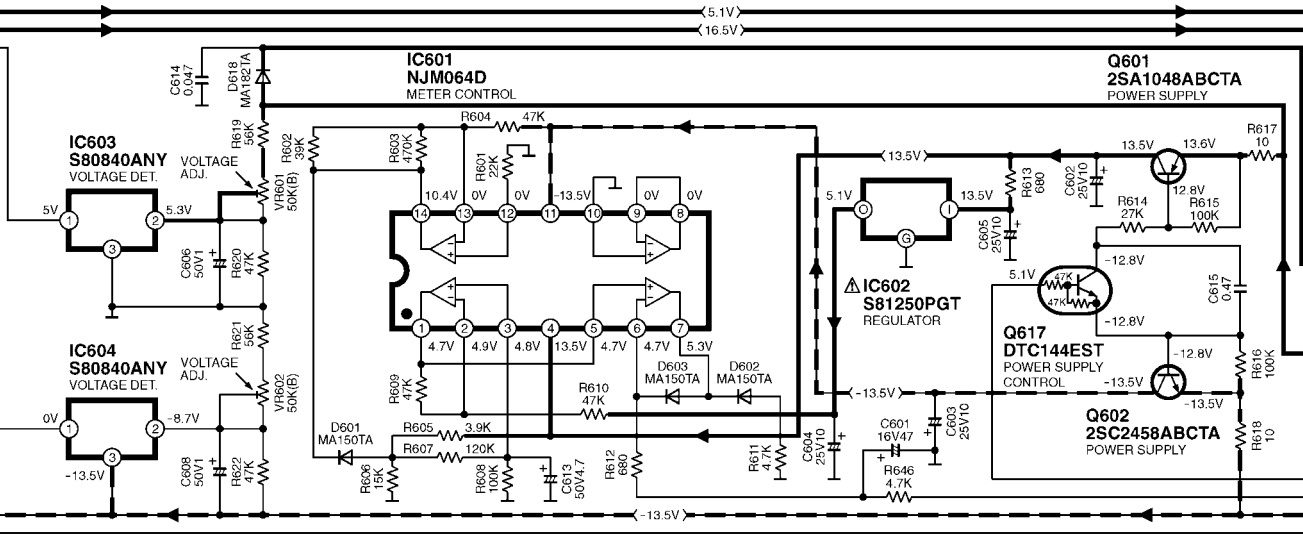
- : POSITIVE VOLTAGE LINE
- - - : NEGATIVE VOLTAGE LINE
- ⇨ : SOURCE SIGNAL LINE

J BALANCE SW CIRCUIT

(P.C. Board: on page 30)

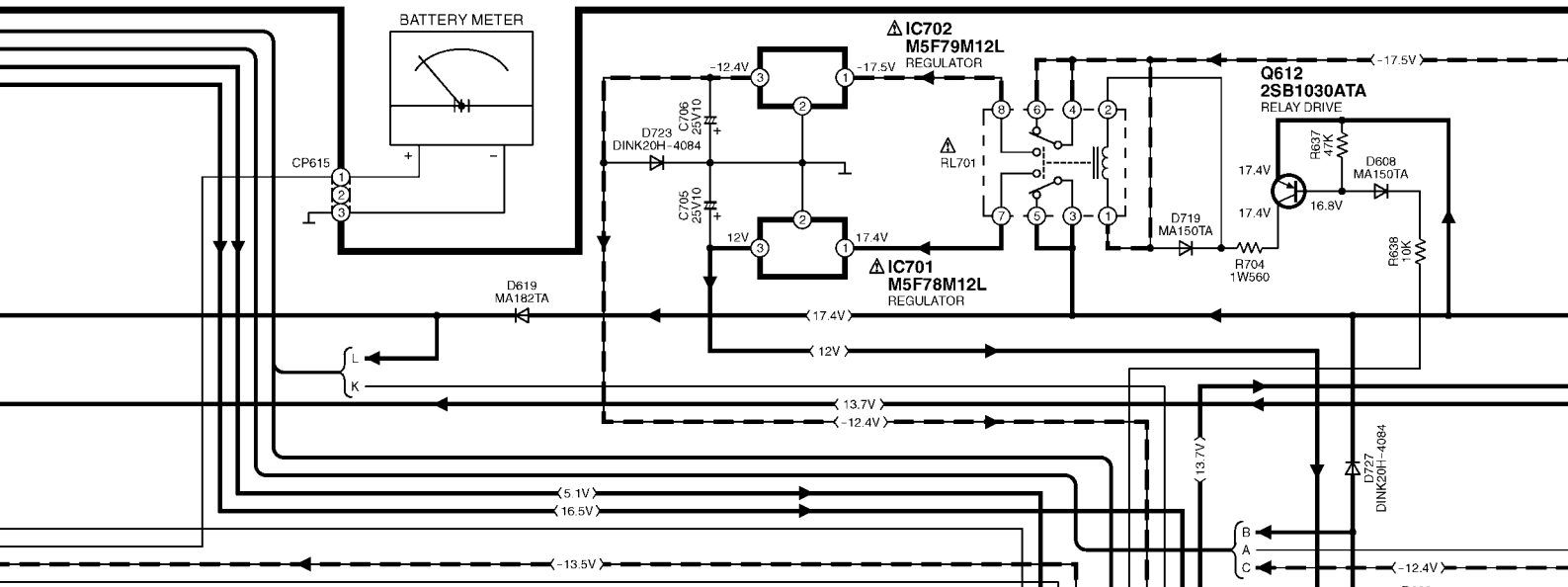


→ : POSITIVE VOLTAGE LINE - → : NEGATIVE VOLTAGE LINE

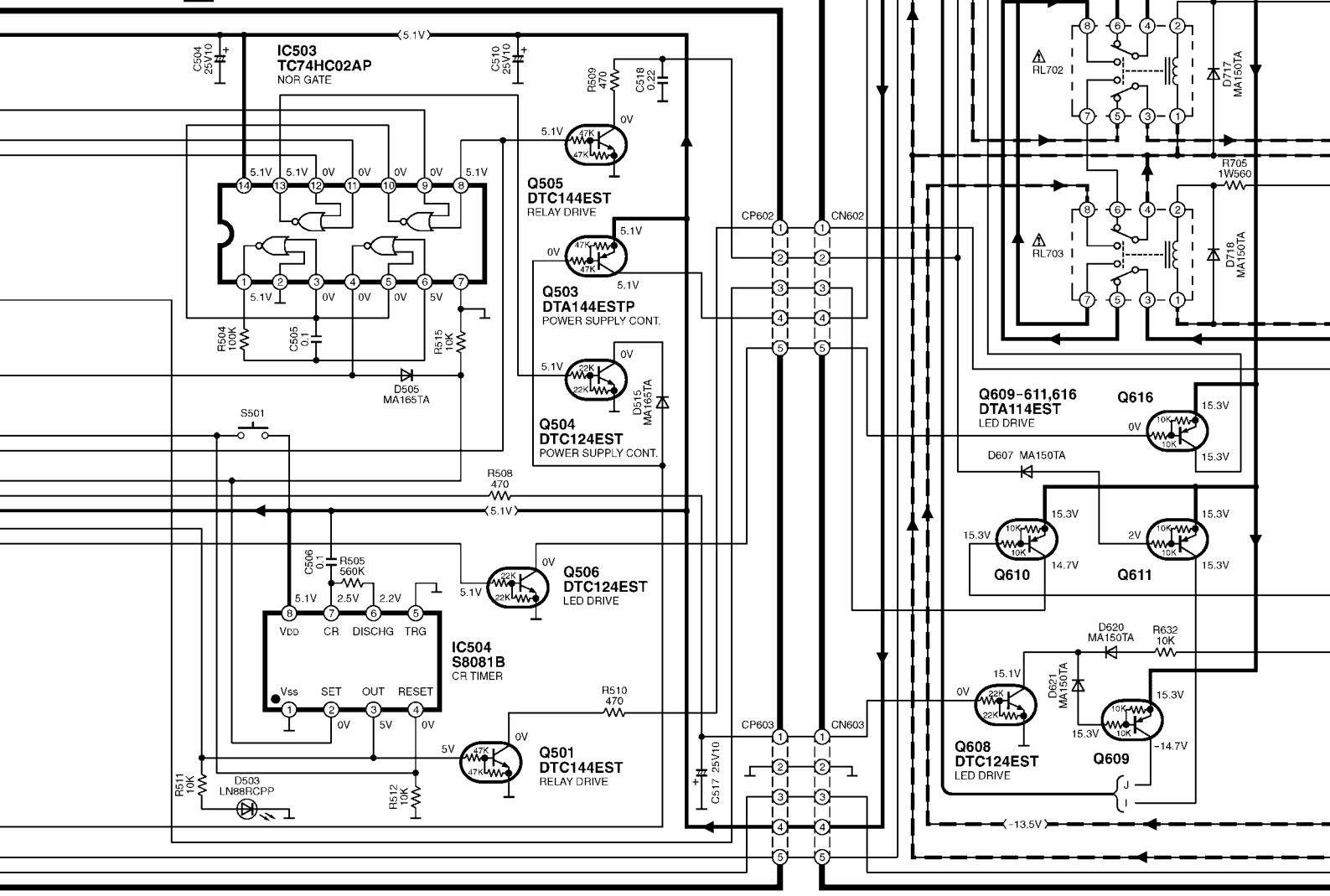


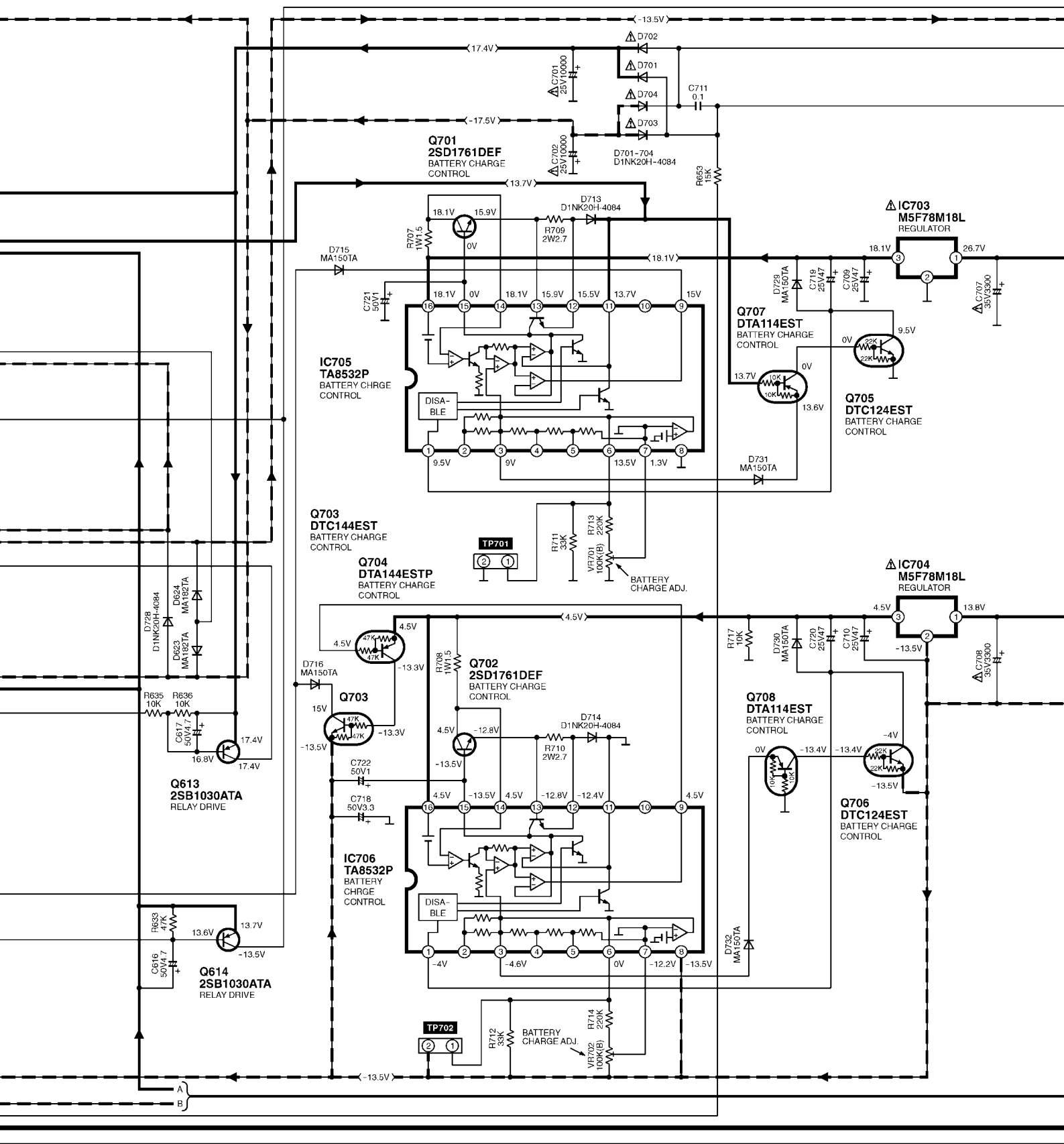
A MAIN CIRCUIT (P.C.Board: on pages 26,27)

— : POSITIVE VOLTAGE LINE
 - - - : NEGATIVE VOLTAGE LINE



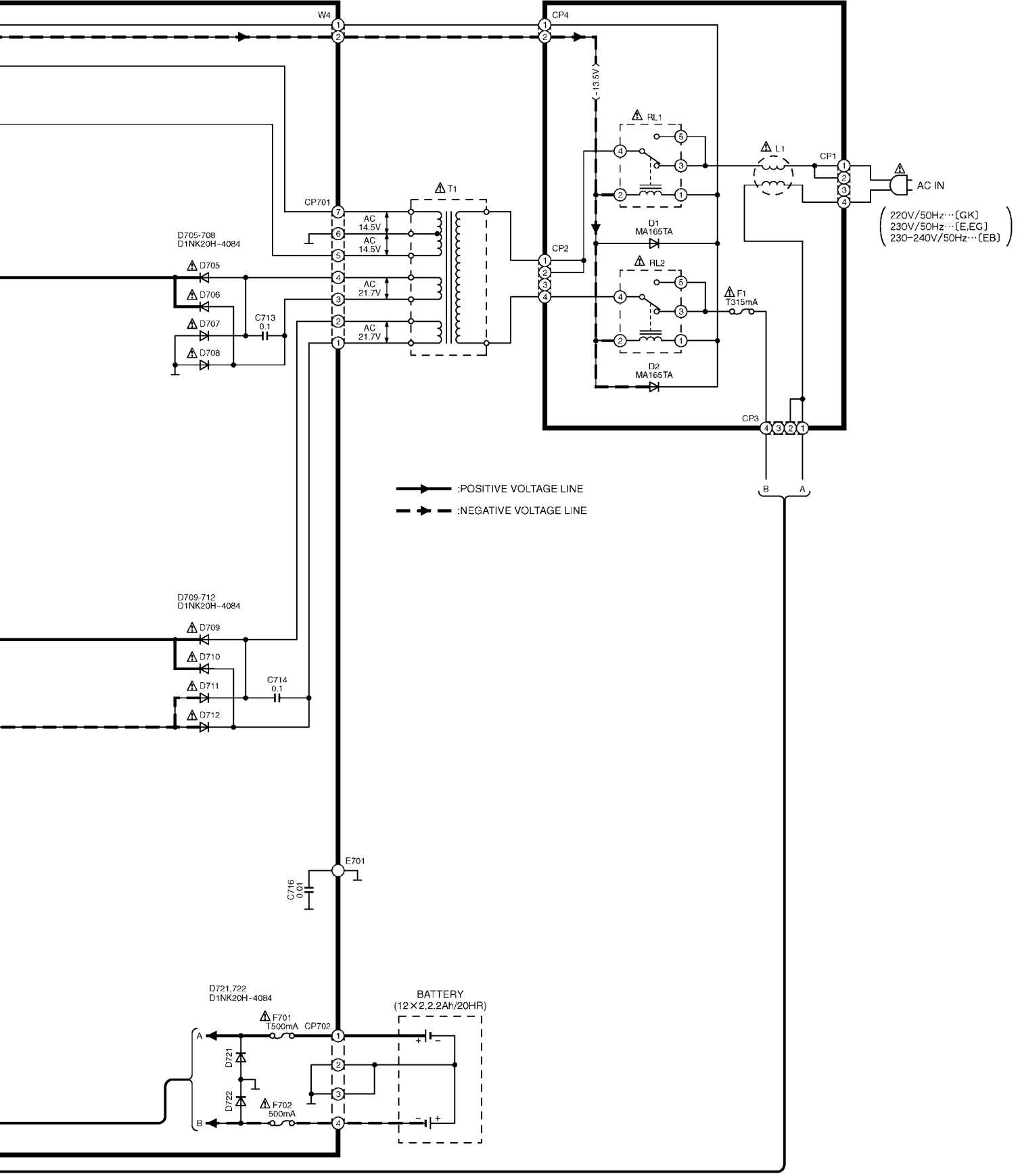
K RELAY CONTROL CIRCUIT (P.C.Board: on page 30)





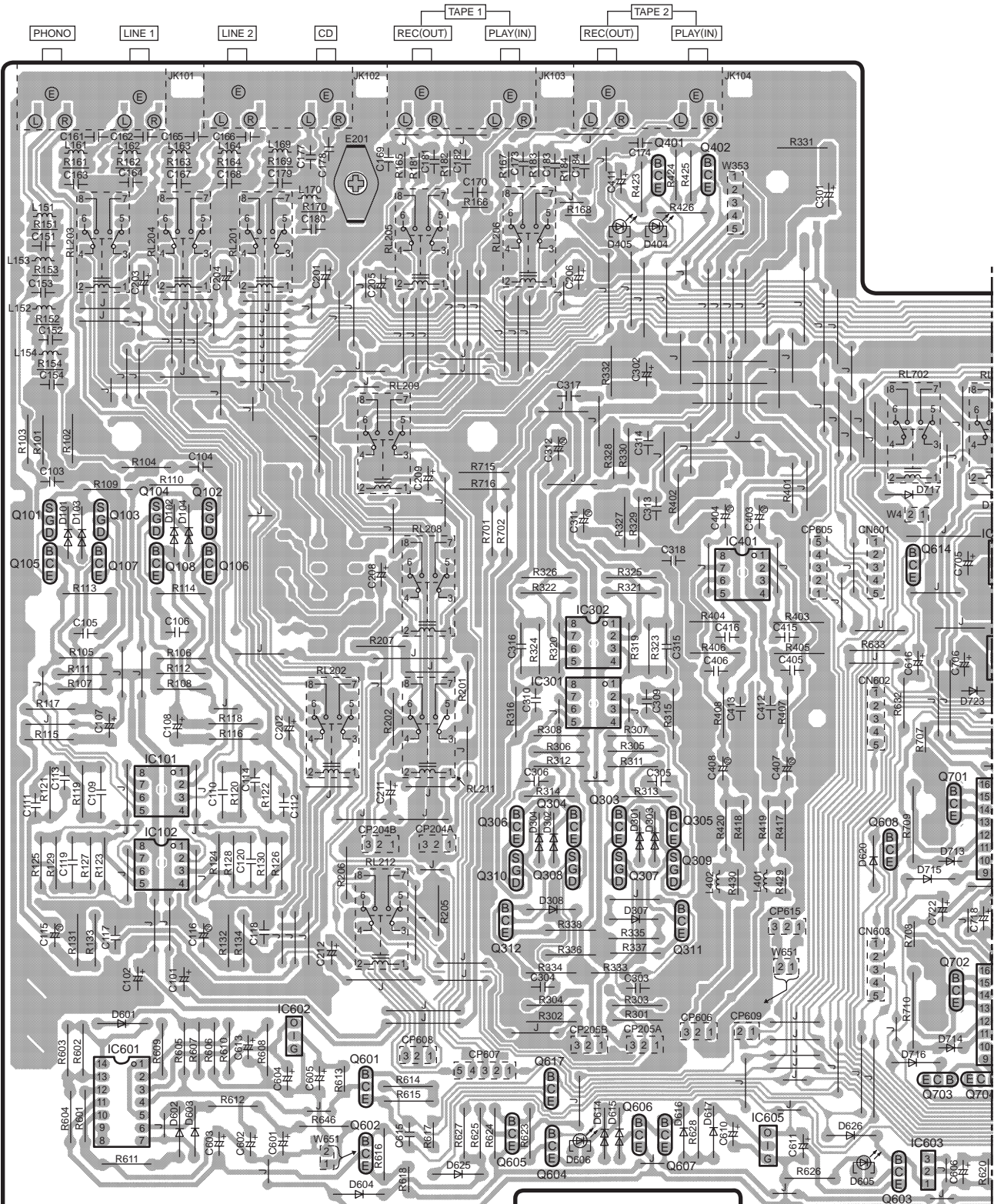
A MAIN CIRCUIT
(P.C.Board: on pages 26,27)

L POWER SUPPLY CIRCUIT
(P.C.Board: on page 30)



(220V/50Hz...[GK]
 230V/50Hz...[E,EG]
 230-240V/50Hz...[EB])

A MAIN P.C.B.



G

H

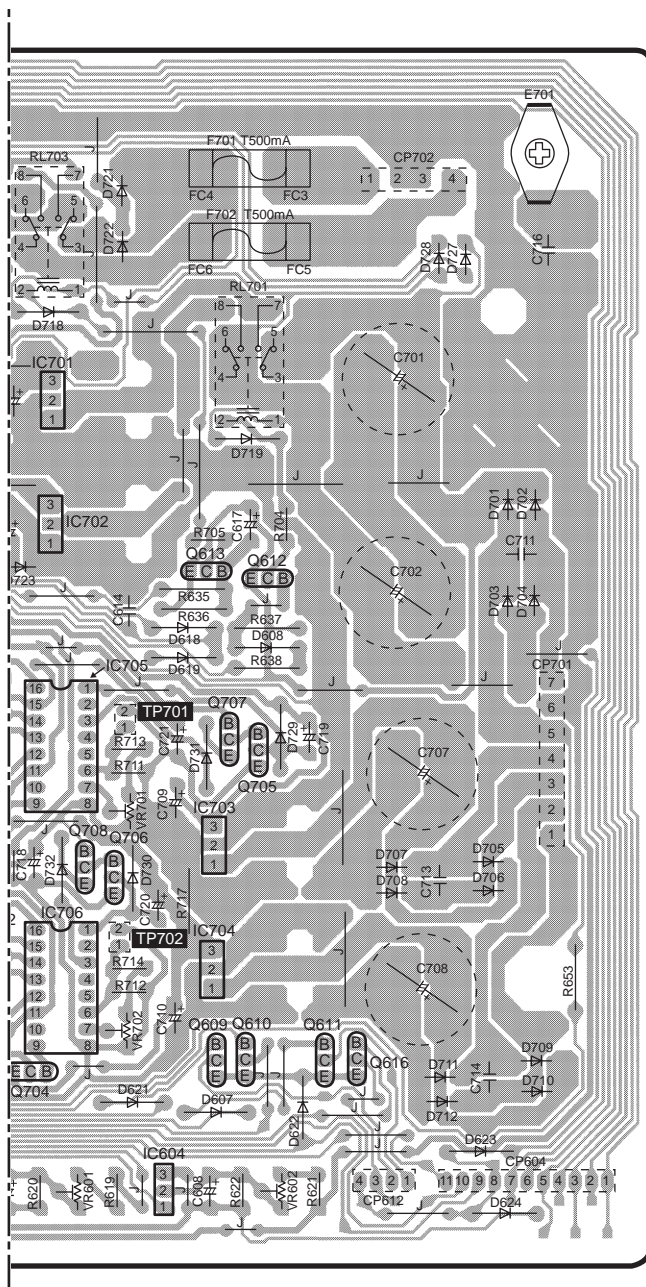
I

J

K

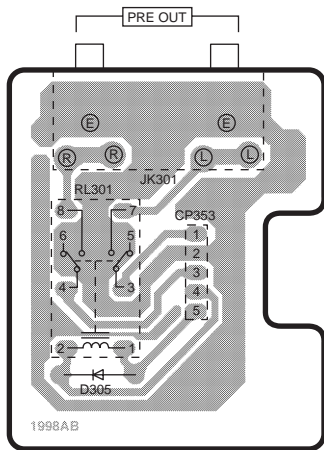
L

ELECTRICAL PARTS LOCATION



Ref. No.	Lo. No.	Ref. No.	Lo. No.	Ref. No.	Lo. No.	Ref. No.	Lo. No.	Ref. No.	Lo. No.
IC101	6B	D626	8F	R102	4A	R403	5E	C162	2B
IC102	6B	D701	5I	R103	4A	R404	5E	C163	2A
IC301	5D	D702	5I	R104	4B	R405	5E	C164	2A
IC302	5D	D703	5I	R105	5A	R406	5E	C165	2B
IC401	5E	D704	5I	R106	5B	R407	5E	C166	2B
IC601	8A	D705	7I	R107	5A	R408	5E	C167	2B
IC602	7B	D706	7I	R108	5B	R417	6E	C168	2B
IC603	8F	D707	7H	R109	4A	R418	6E	C169	2C
IC604	8G	D708	7H	R110	4B	R419	6E	C170	2C
IC605	8E	D709	7I	R111	5A	R420	6E	C173	2D
IC701	4G	D710	8I	R112	5B	R423	2D	C174	2D
IC702	5G	D711	8H	R113	5A	R424	2E	C177	2B
IC703	6G	D712	8H	R114	5B	R425	2E	C178	2C
IC704	7G	D713	6F	R115	5A	R426	2E	C179	2B
IC705	6G	D714	7F	R116	5B	R429	6E	C180	3C
IC706	7G	D715	6F	R117	5A	R430	6E	C181	2C
Q101	4A	D716	7F	R118	5B	R601	8A	C182	2C
Q102	4B	D717	4F	R119	6A	R602	7A	C183	2D
Q103	4A	D718	4G	R120	6B	R603	7A	C184	2D
Q104	4B	D719	5H	R121	6A	R604	8A	C201	3C
Q105	4A	D721	4G	R122	6B	R605	7B	C202	5B
Q106	4B	D722	4G	R123	6A	R606	7B	C203	3B
Q107	4A	D723	5F	R124	6B	R607	7B	C204	3B
Q108	4B	D727	4I	R125	6A	R608	7B	C205	3C
Q303	6D	D728	4H	R126	6B	R609	7B	C206	3D
Q304	6D	D729	6H	R127	6A	R610	7B	C208	5C
Q305	6E	D730	7G	R128	6B	R611	8A	C209	4C
Q306	6D	D731	6G	R129	6A	R612	8B	C211	6C
Q307	6D	D732	7G	R130	6B	R613	7C	C212	7C
Q308	6D	VR601	8G	R131	7A	R614	8C	C301	2F
Q309	6E	VR602	8H	R132	7B	R615	8C	C302	3D
Q310	6D	VR701	6G	R133	7A	R616	8C	C303	7D
Q311	7E	VR702	7G	R134	7B	R617	8C	C304	7D
Q312	7D	L151	2A	R151	3A	R618	8C	C305	6E
Q401	2E	L152	3A	R152	3A	R619	8G	C306	6D
Q402	2E	L153	3A	R153	3A	R620	8F	C309	5D
Q601	7C	L154	3A	R154	3A	R621	8H	C310	5D
Q602	8C	L161	2A	R161	2A	R622	8H	C311	4D
Q603	8F	L162	2A	R162	2A	R623	8D	C312	4D
Q604	8D	L163	2B	R163	2B	R624	8D	C313	4E
Q605	8D	L164	2B	R164	2B	R625	8C	C314	4D
Q606	8D	L169	2B	R165	2C	R626	8E	C315	5E
Q607	8E	L170	2B	R166	2C	R627	8C	C316	5D
Q608	6F	L401	6E	R167	2D	R628	8E	C317	3D
Q609	7H	L402	6E	R168	2D	R632	5F	C318	4E
Q610	7H	F701	3H	R169	2B	R633	5F	C403	4E
Q611	7H	F702	4H	R170	2C	R635	5G	C404	4E
Q612	5H	RL201	3B	R181	2C	R636	5G	C405	5E
Q613	5G	RL202	5C	R182	2C	R637	6H	C406	5E
Q614	4F	RL203	2A	R183	2D	R638	6H	C407	6E
Q616	7H	RL204	2B	R184	2D	R646	8C	C408	6E
Q617	8D	RL205	2C	R201	5C	R653	7I	C411	2D
Q701	6F	RL206	3D	R202	5C	R701	4D	C412	5E
Q702	7F	RL208	4C	R205	7C	R702	4D	C413	5E
Q703	7F	RL209	4C	R206	6C	R704	5H	C415	5E
Q704	8G	RL211	6C	R207	5C	R705	5G	C416	5E
Q705	6H	RL212	6C	R301	7D	R707	6F	C601	8B
Q706	7G	RL701	4H	R302	7D	R708	7F	C602	8B
Q707	6H	RL702	3F	R303	7D	R709	6F	C603	8B
Q708	7G	RL703	4G	R304	7D	R710	7F	C604	7B
D101	4A	CN601	4F	R305	6D	R711	6G	C605	7C
D102	4B	CN602	5F	R306	6D	R712	7G	C606	8F
D103	4A	CN603	7F	R307	5D	R713	6G	C608	8G
D104	4B	JK101	2A	R308	5D	R714	7G	C610	8E
D301	6D	JK102	2C	R311	6D	R715	4D	C611	8E
D302	6D	JK103	2D	R312	6D	R716	4D	C613	7B
D303	6E	JK104	2E	R313	6D	R717	7G	C614	5G
D304	6D	E201	2C	R314	6D	C101	7B	C615	8C
D307	7D	E701	3I	R315	5E	C102	7A	C616	5F
D308	7D	FC3	4H	R316	5D	C103	4A	C617	5H
D404	3E	FC4	4G	R319	5D	C104	4B	C701	4H
D405	3D	FC5	4H	R320	5D	C105	5A	C702	5H
D601	7A	FC6	4G	R321	5D	C106	5B	C705	4F
D602	8B	CP204A	6C	R322	5D	C107	5A	C706	5F
D603	8B	CP204B	6C	R323	5D	C108	5B	C707	6H
D604	8C	CP205A	7D	R324	5D	C109	6A	C708	7H
D605	8F	CP205B	7D	R325	5D	C110	6B	C709	6G
D606	8D	CP604	8I	R326	5D	C111	6A	C710	7G
D607	8G	CP605	4E	R327	4D	C112	6B	C711	5I
D608	6H	CP606	7E	R328	4D	C113	6A	C713	7H
D614	8D	CP607	7D	R329	4D	C114	6B	C714	8I
D615	8D	CP608	7C	R330	4D	C115	7A	C716	4I
D616	8E	CP609	7E	R331	2E	C116	7B	C718	7F
D617	8E	CP612	8H	R332	3D	C117	7A	C719	6H
D618	6G	CP615	7E	R333	7D	C118	7B	C720	7G
D619	6G	CP701	6I	R334	7D	C119	6A	C721	6G
D620	6F	CP702	3H	R335	7D	C120	6B	C722	7F
D621	8G	W4	4F	R336	7D	C151	3A	TP701	6G
D622	8H	W353	2E	R337	7D	C152	3A	TP702	7G
D623	8I	W651	7E	R338	7D	C153	3A		
D624	8I	W651	8C	R401	4E	C154	3A		
D625	8C	R101	4A	R402	4E	C161	2A		

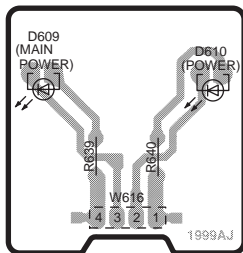
I PRE OUT TERMINAL P.C.B.



1998AB

(REP2715B-M)

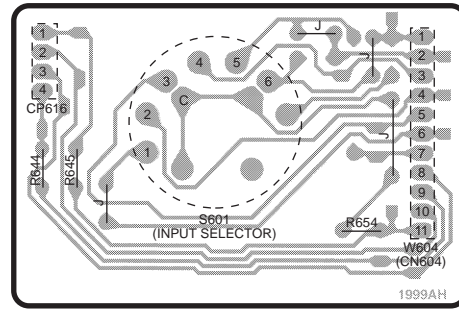
B LED P.C.B.



1999AJ

(REP2716B-S)

D SELECTOR P.C.B.



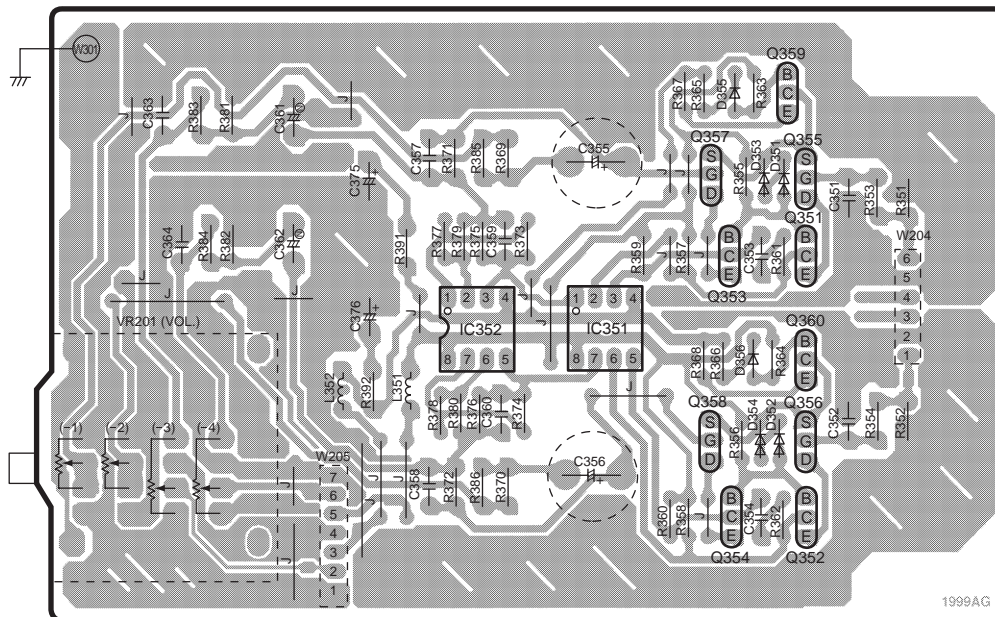
1999AH

(REP2716B-S)

ELECTRICAL PARTS LOCATION

Ref. No.	Lo. No.	Ref. No.	Lo. No.	Ref. No.	Lo. No.	Ref. No.	Lo. No.	Ref. No.	Lo. No.
I PRE OUT TERMINAL P.C.B.									
D305	3A	RL301	2A	JK301	2B	CP353	2B		
B LED P.C.B.									
D609	4A	D610	4B	W616	5B	R639	4B	R640	4B
D SELECTOR P.C.B.									
S601	2E	CP616	1D	R644	2D	R645	2D	R654	2E
W604	2F								
C VOLUME P.C.B.									
IC351	7D	D355	6D	R359	7D	R375	7C	C353	7D
IC352	7C	D356	7D	R360	8D	R376	7C	C354	8D
Q351	7D	VR201	7A	R361	7D	R377	7C	C355	6D
Q352	8D	L351	7C	R362	8D	R378	7C	C356	8C
Q353	7D	L352	7B	R363	6D	R379	7C	C357	6C
Q354	8D	W204	7E	R364	7D	R380	7C	C358	8C
Q355	6D	W205	8B	R365	6D	R381	6B	C359	7C
Q356	8D	W301	6A	R366	7D	R382	7B	C360	7C
Q357	6D	R351	6E	R367	6D	R383	6B	C361	6B
Q358	7D	R352	7E	R368	7D	R384	7B	C362	7B
Q359	6D	R353	6E	R369	6C	R385	6C	C363	6B
Q360	7D	R354	7E	R370	8C	R386	8C	C364	7B
D351	6D	R355	6D	R371	6C	R391	7C	C375	6B
D352	8D	R356	8D	R372	8C	R392	7C	C376	7B
D353	6D	R357	7D	R373	7C	C351	6E		
D354	8D	R358	8D	R374	7C	C352	7E		

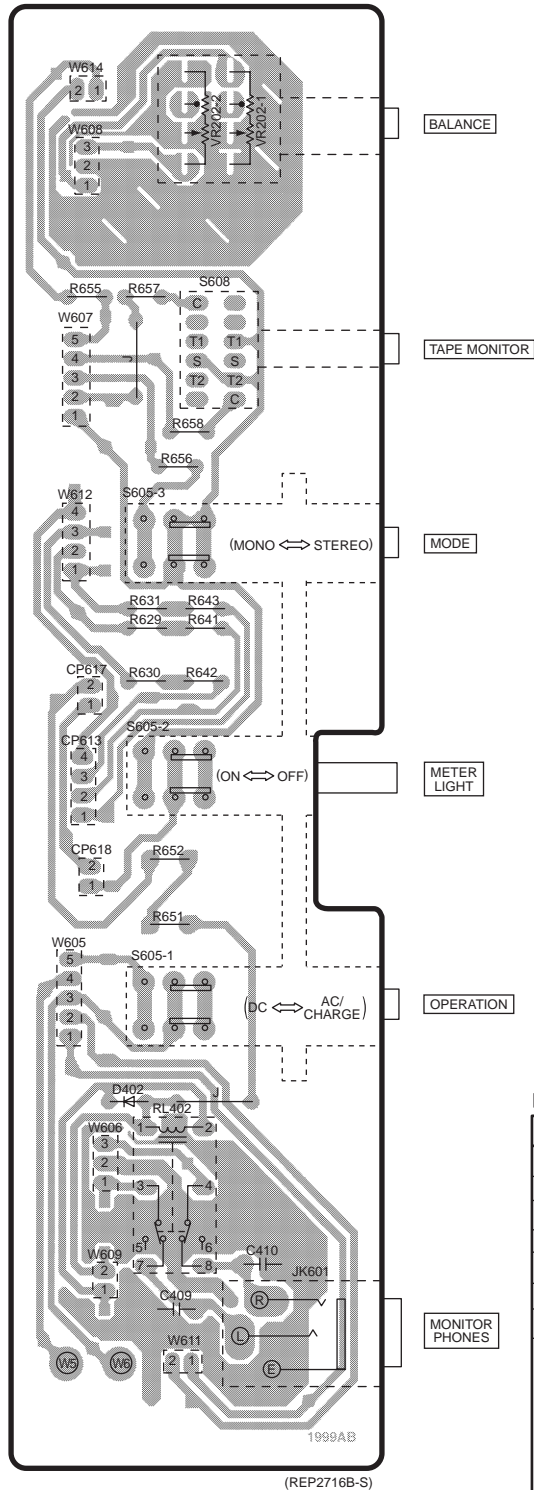
C VOLUME P.C.B.



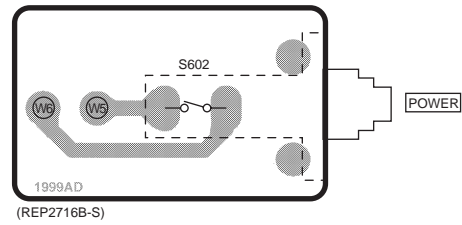
1999AG

(REP2716B-S)

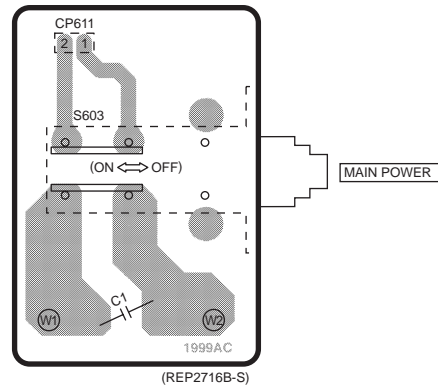
H OPERATION P.C.B.



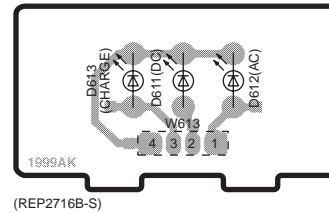
F POWER SW P.C.B.



E MAIN POWER SW P.C.B.



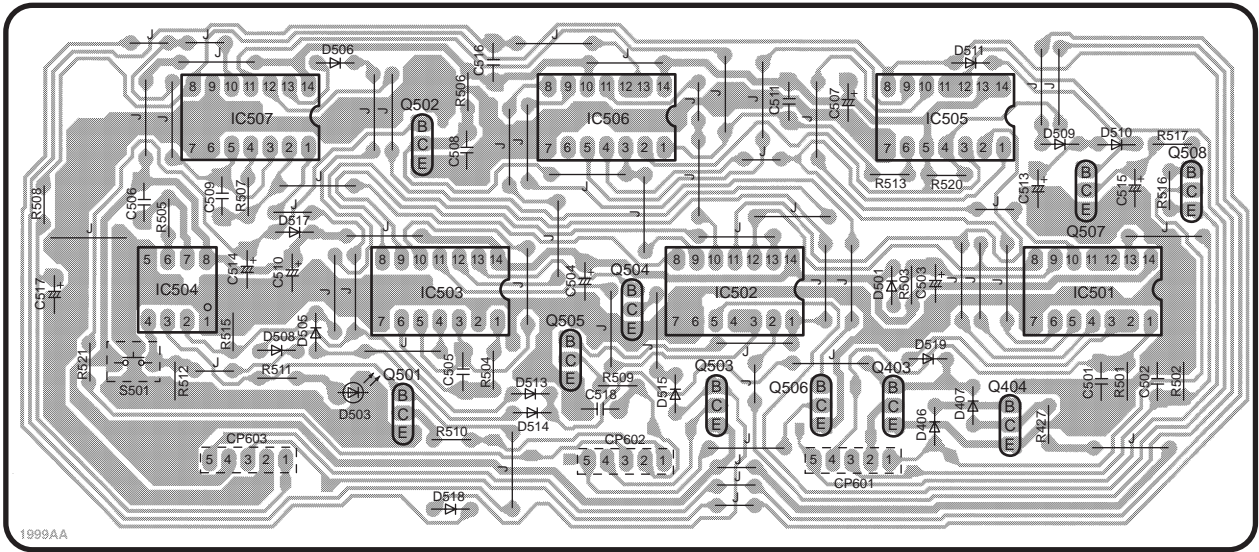
G METER LED P.C.B.



ELECTRICAL PARTS LOCATION

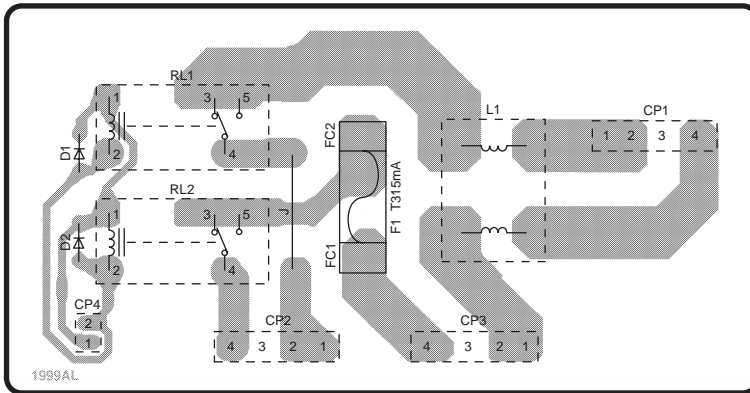
Ref. No.	Lo. No.	Ref. No.	Lo. No.	Ref. No.	Lo. No.	Ref. No.	Lo. No.	Ref. No.	Lo. No.
F POWER SWITCH P.C.B.									
S602	1E	W5	2D	W6	2D				
E MAIN POWER SWITCH P.C.B.									
S603	3D	CP611	3D	W1	4D	W2	4E	C1	4D
G METER LED P.C.B.									
D611	5E	D612	5E	D613	5D	W613	5E		
H OPERATION P.C.B.									
D402	6A	S608	3B	W608	2A	R631	4A	R657	3A
CP613	5A	VR202-1	2B	W609	7A	R641	4B	R658	3B
CP617	4A	VR202-2	2B	W611	7B	R642	4B	C409	7A
CP618	5A	W5	7A	W612	4A	R643	4B	C410	7B
RL402	6A	W6	7A	W614	2A	R651	5A		
S605-1	6B	W605	6A	JK601	7B	R652	5A		
S605-2	5B	W606	6A	R629	4A	R655	3A		
S605-3	4B	W607	3A	R630	4A	R656	3A		

K RELAY CONTROL P.C.B.



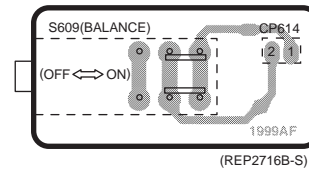
1999AA
(REP2716B-S)

L POWER SUPPLY P.C.B.



1999AL
(REP2716B-S)

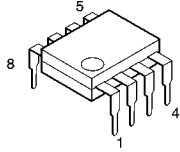
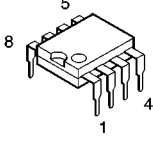
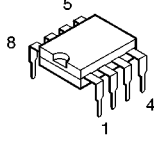
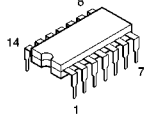
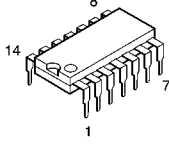
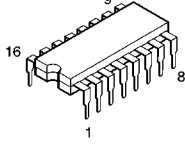
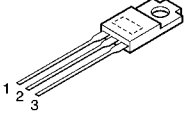
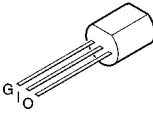
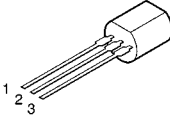
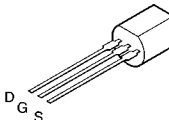
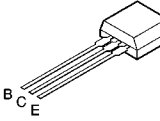
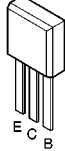
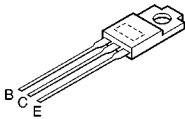
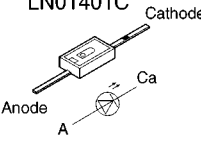
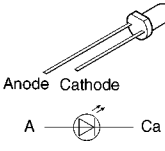
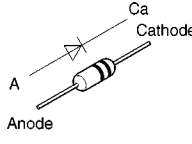
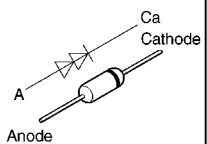
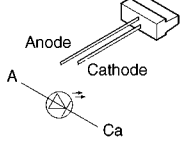
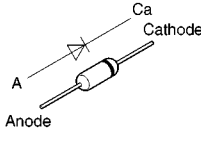
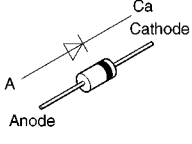
J BALANCE SW P.C.B.

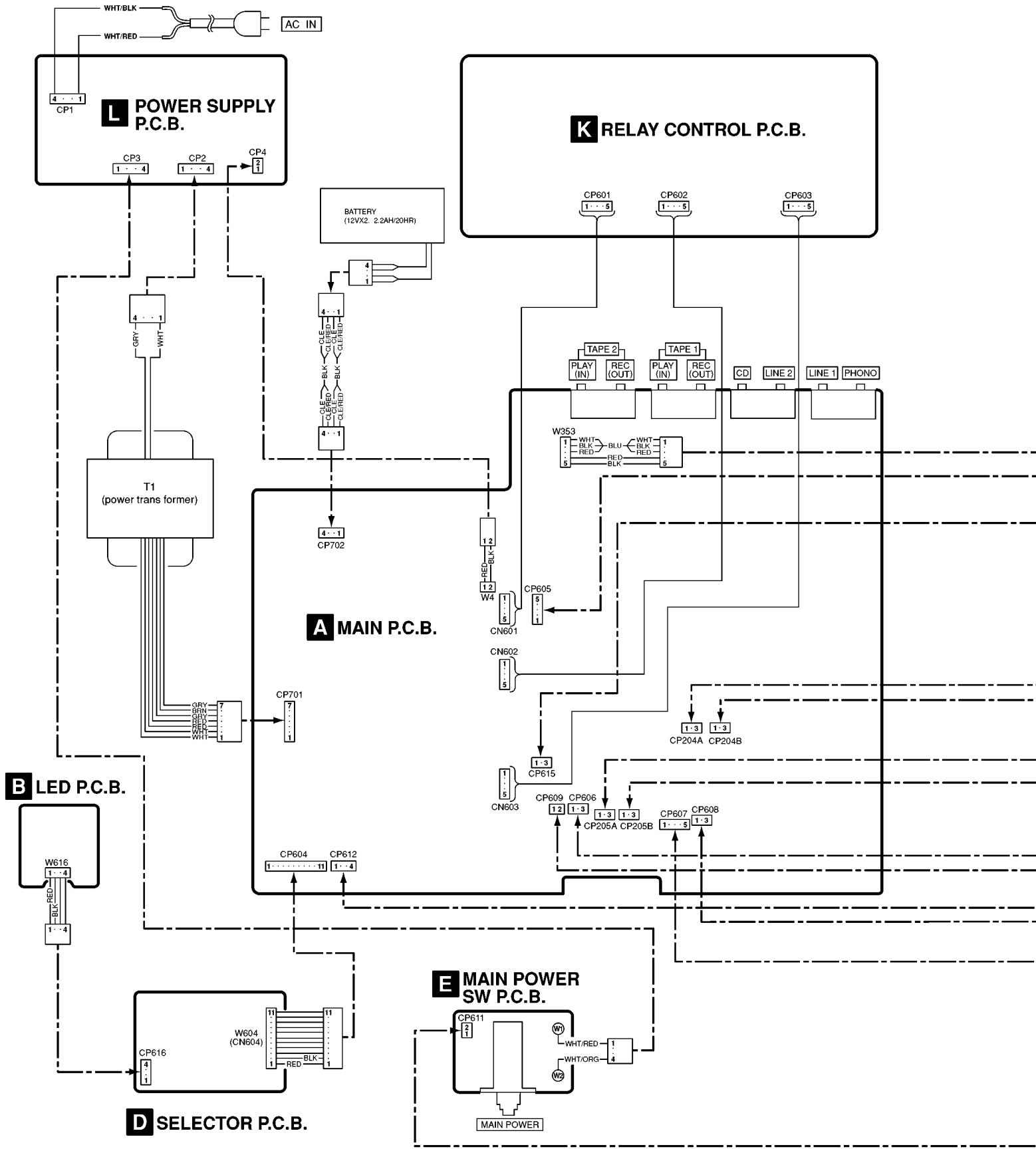


1999AF
(REP2716B-S)

ELECTRICAL PARTS LOCATION

Ref. No.	Lo. No.	Ref. No.	Lo. No.	Ref. No.	Lo. No.	Ref. No.	Lo. No.	Ref. No.	Lo. No.	Ref. No.	Lo. No.
J BALANCE SW P.C.B.											
S609	5E	CP614	5F								
K RELAY CONTROL P.C.B.											
IC501	2F	Q505	3C	D511	1E	R502	3F	R516	2F	C510	2B
IC502	2D	Q506	3D	D513	3C	R503	2E	R517	2F	C511	2D
IC503	2C	Q507	2F	D514	3C	R504	3C	R520	2E	C513	2E
IC504	2B	Q508	2F	D515	3D	R505	2B	R521	3A	C514	2B
IC505	2E	D406	3E	D517	2B	R506	2C	C501	3F	C515	2F
IC506	2D	D407	3E	D518	3C	R507	2B	C502	3F	C516	1C
IC507	2B	D501	2E	D519	3E	R508	2A	C503	2E	C517	2A
Q403	3E	D503	3B	S501	3A	R509	3D	C504	2C	C518	3C
Q404	3E	D505	3B	CP601	3E	R510	3C	C505	3C		
Q501	3C	D506	1B	CP602	3D	R511	3B	C506	2A		
Q502	2C	D508	3B	CP603	3B	R512	3B	C507	2E		
Q503	3D	D509	2F	R427	3F	R513	2E	C508	2C		
Q504	2D	D510	2F	R501	3F	R515	3B	C509	2B		
L POWER SUPPLY P.C.B.											
D1	5A	L1	5C	RL1	5A	FC1	5B	CP1	5D	CP3	6C
D2	5A	F1	5B	RL2	5A	FC2	5B	CP2	6B	CP4	6A

<p>NJM4580DD S8081B</p> 	<p>OP-271GP</p> 	<p>M5216P</p> 	<p>TC74HC14AP TC74HC02AP TC74HC11AP TC74HC74AP</p> 	<p>NJM064D</p> 	<p>TA8532P</p> 
<p>M5F78M12L M5F79M12L M5F78M18L</p> 	<p>S81250PGT S81250PGZ</p> 	<p>S80840ANY</p> 	<p>2SK369GR</p> 	<p>2SC2458ABCTA 2SA1048ABCTA DTA144ESTP DTC124EST DTC114EST DTC144EST DTA114EST</p> 	
<p>2SB1030ATA</p> 	<p>2SD1761DEF</p> 	<p>LN01201C LN01301C LN01401C</p> 	<p>LN88RCP</p> 	<p>MA182TA</p> 	<p>MA27WATA MA29WATA</p> 
<p>LN846RP-C</p> 	<p>MA165TA MA150TA MA167TA</p> 	<p>D1NK20H-4084</p> 			



I PRE OUT TERMINAL P.C.B.

G METER LED P.C.B.

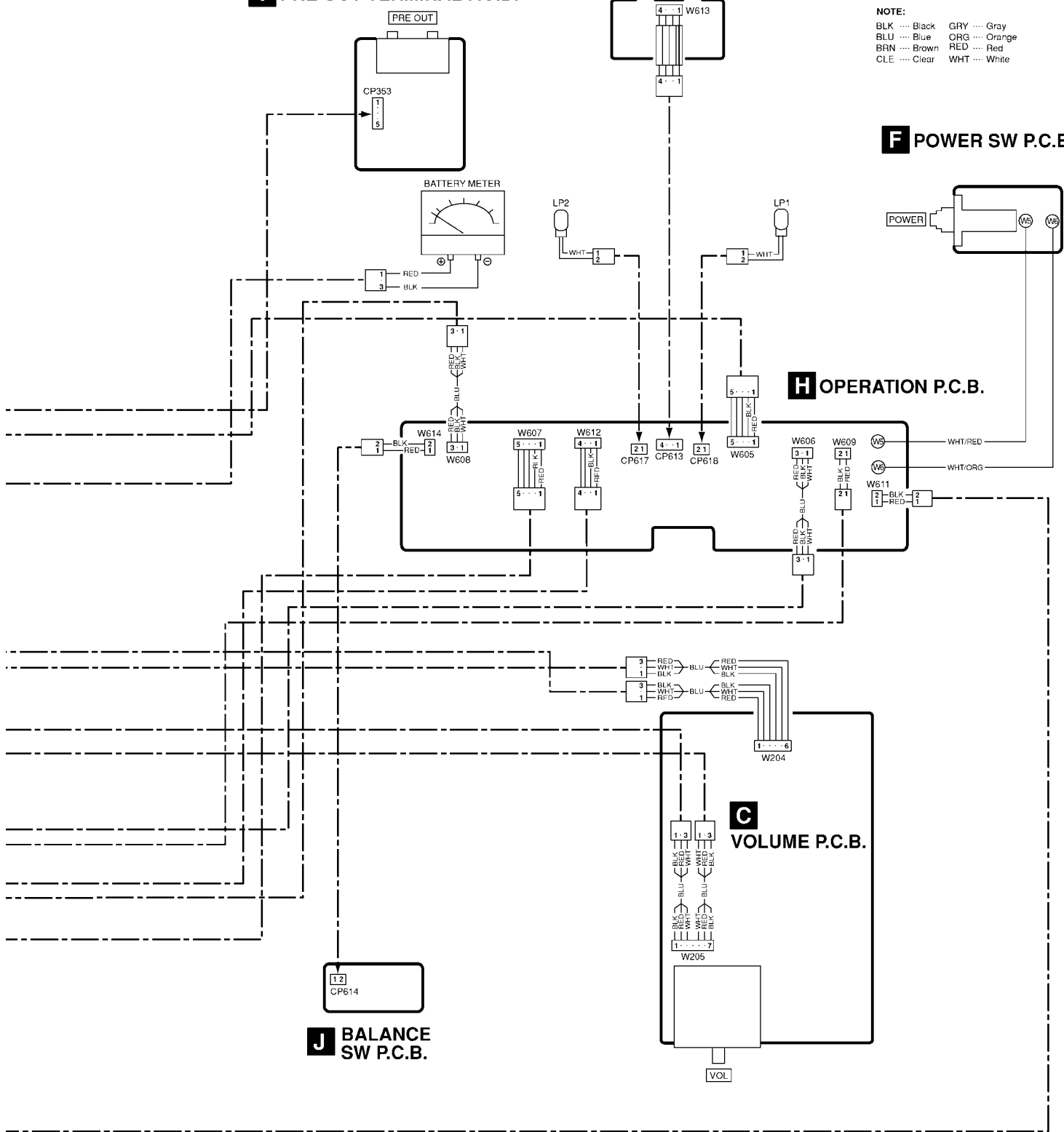
NOTE:
 BLK Black GRY Gray
 BLU Blue ORG Orange
 BRN Brown RED Red
 CLE Clear WHT White

F POWER SW P.C.B.

H OPERATION P.C.B.

C VOLUME P.C.B.

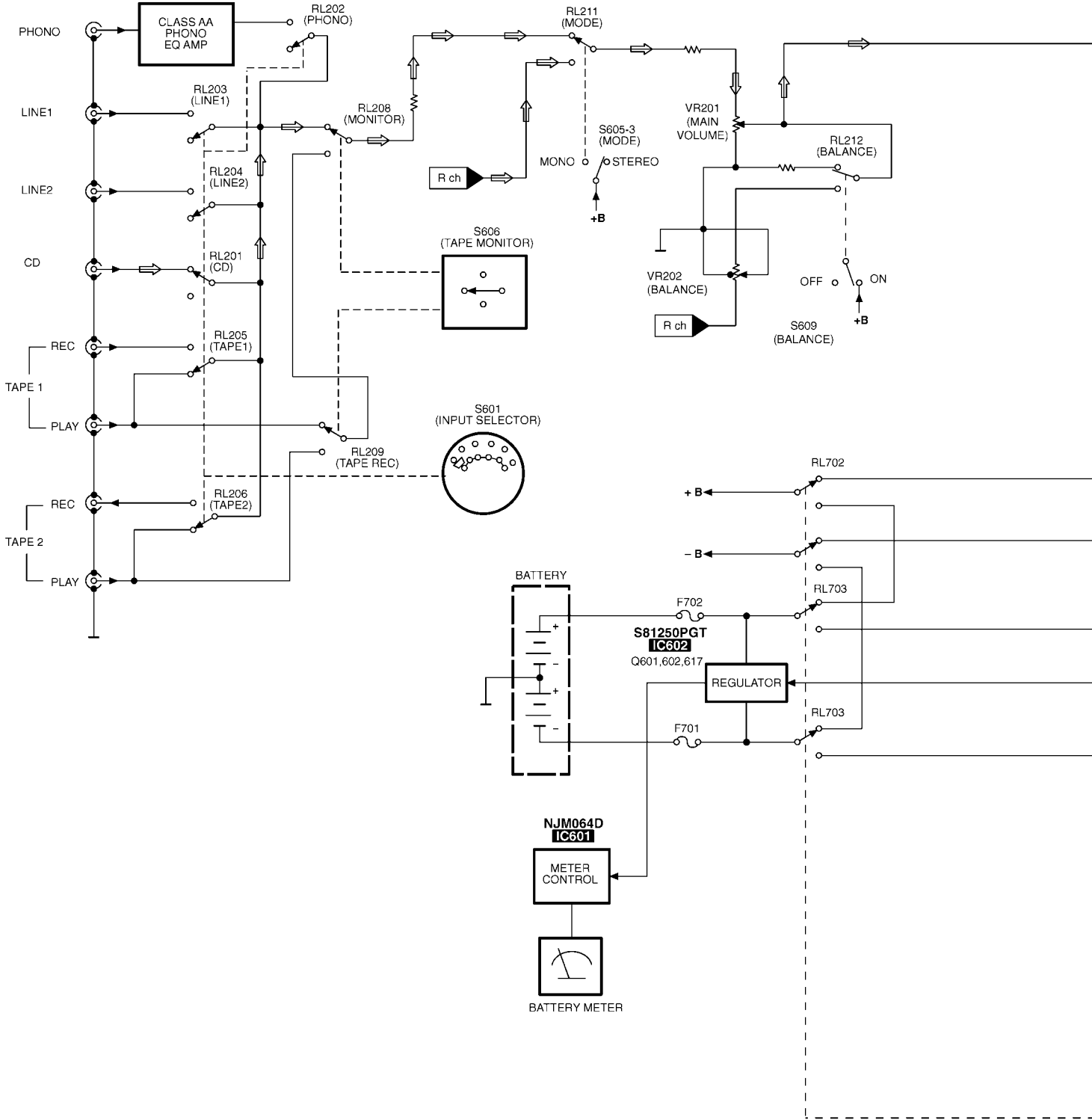
J BALANCE SW P.C.B.



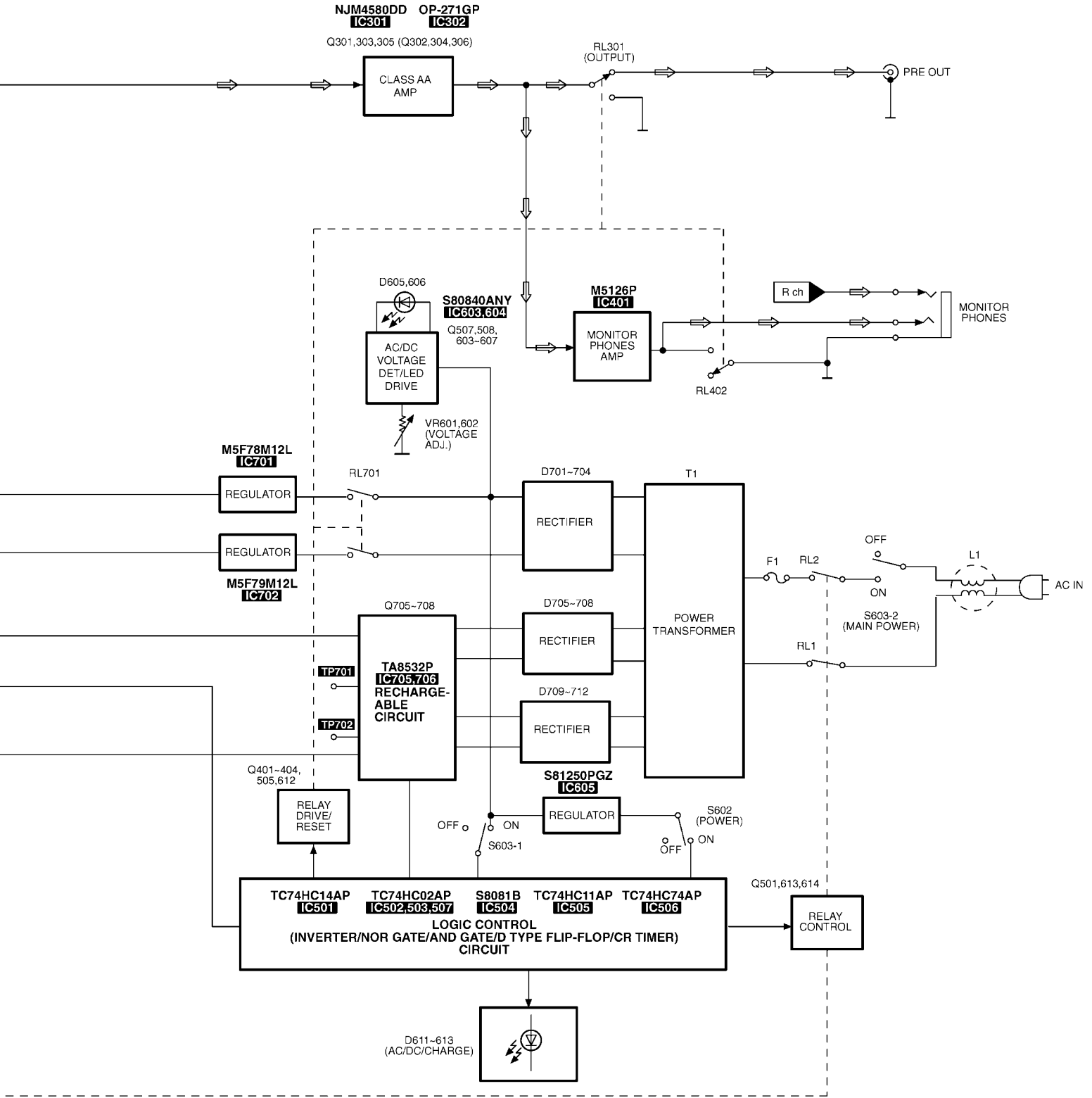
(L ch)

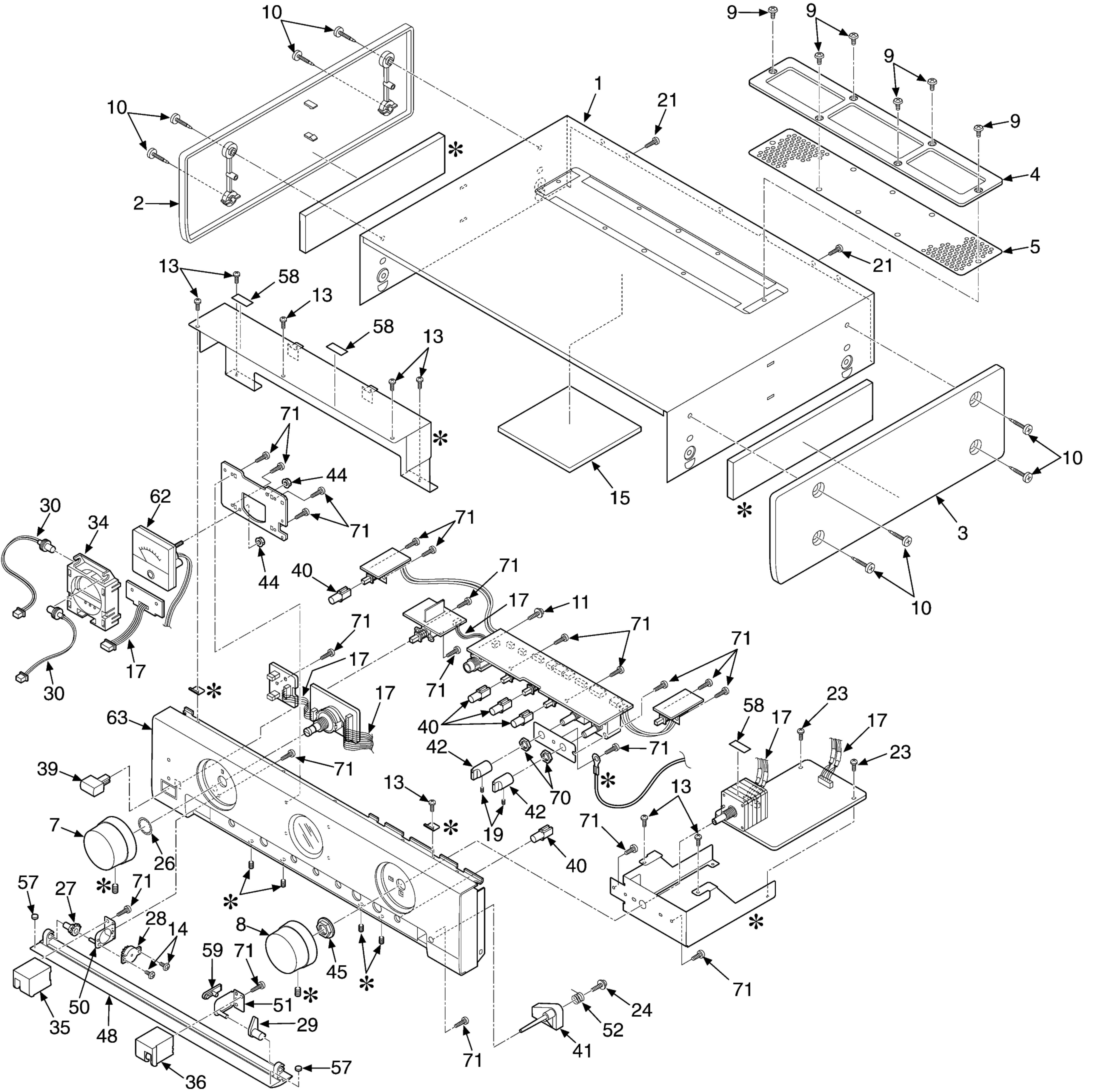
NJM4580DD **OP-271GP**
IC101 **IC102**

Q101,103,105,107(Q102,104,106,108)

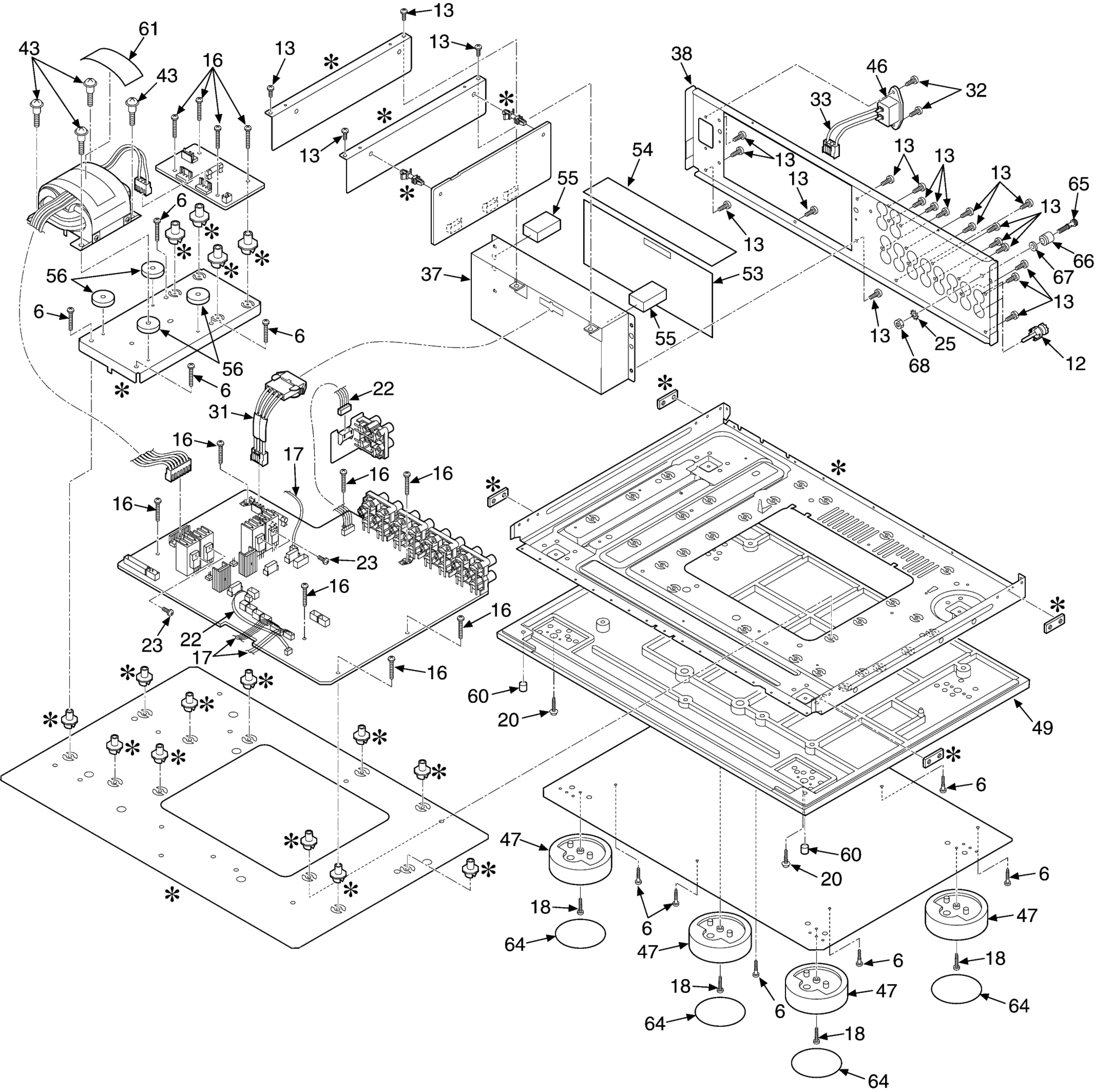


Notes
 ● Signal line ⇨ : Source signal
 ● () indicates pin No. Right channel.

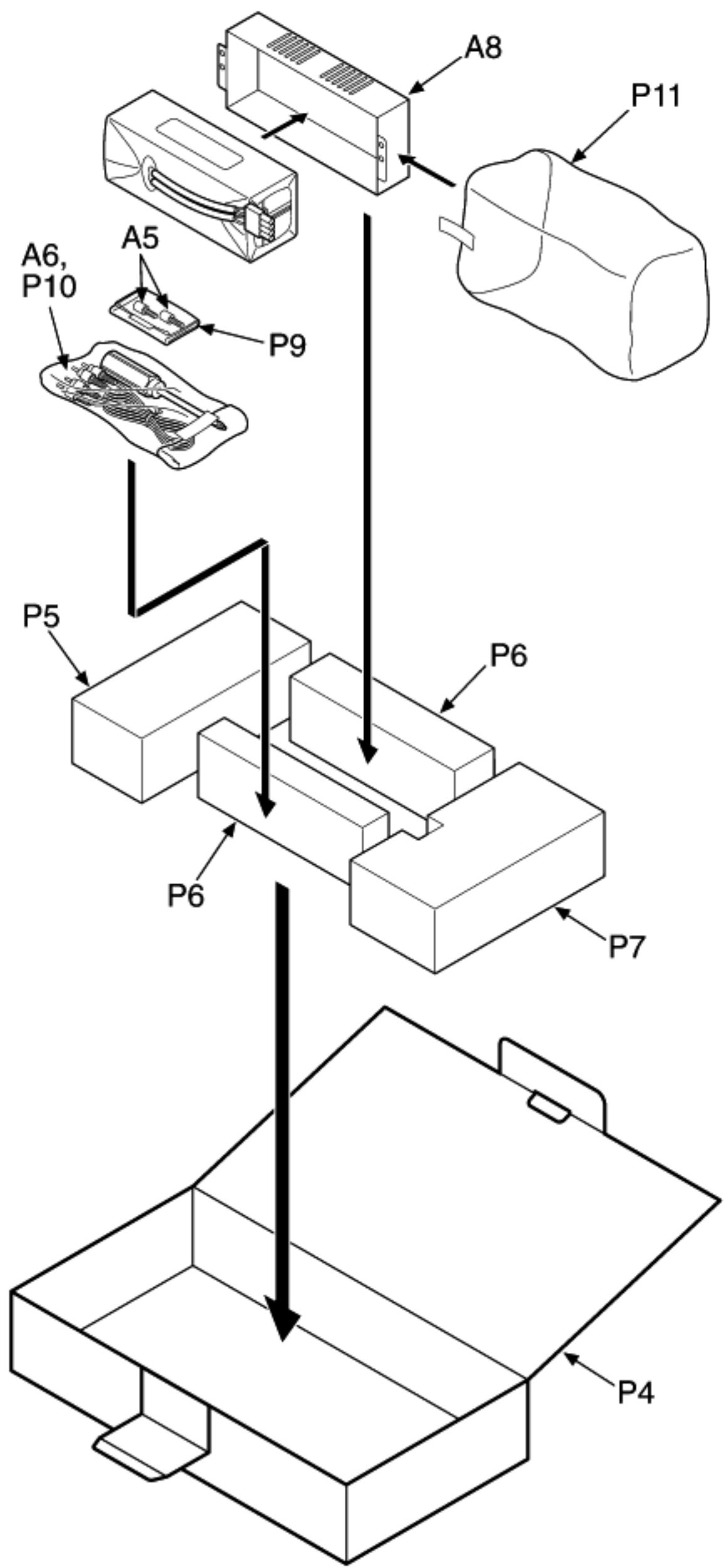
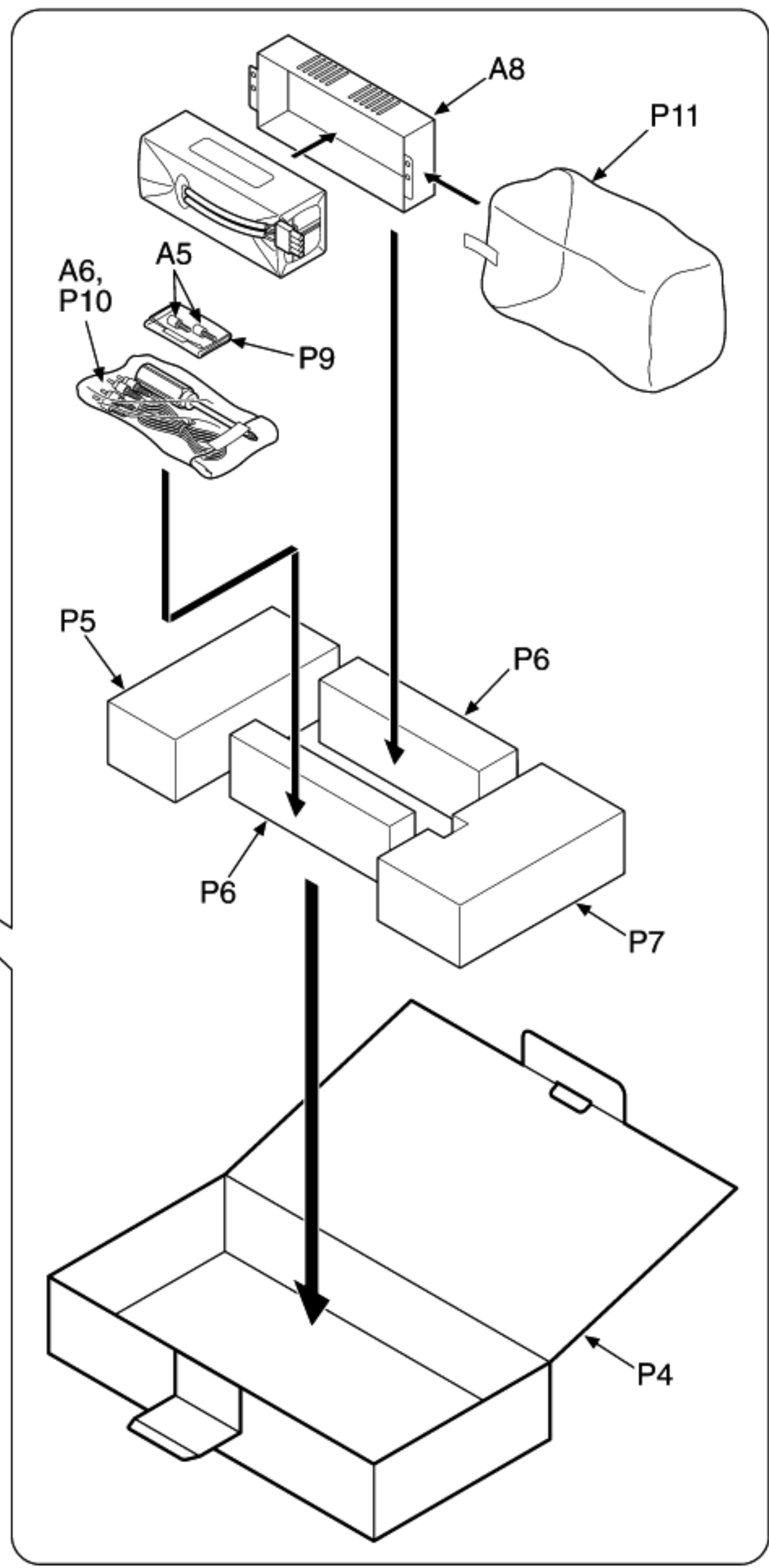
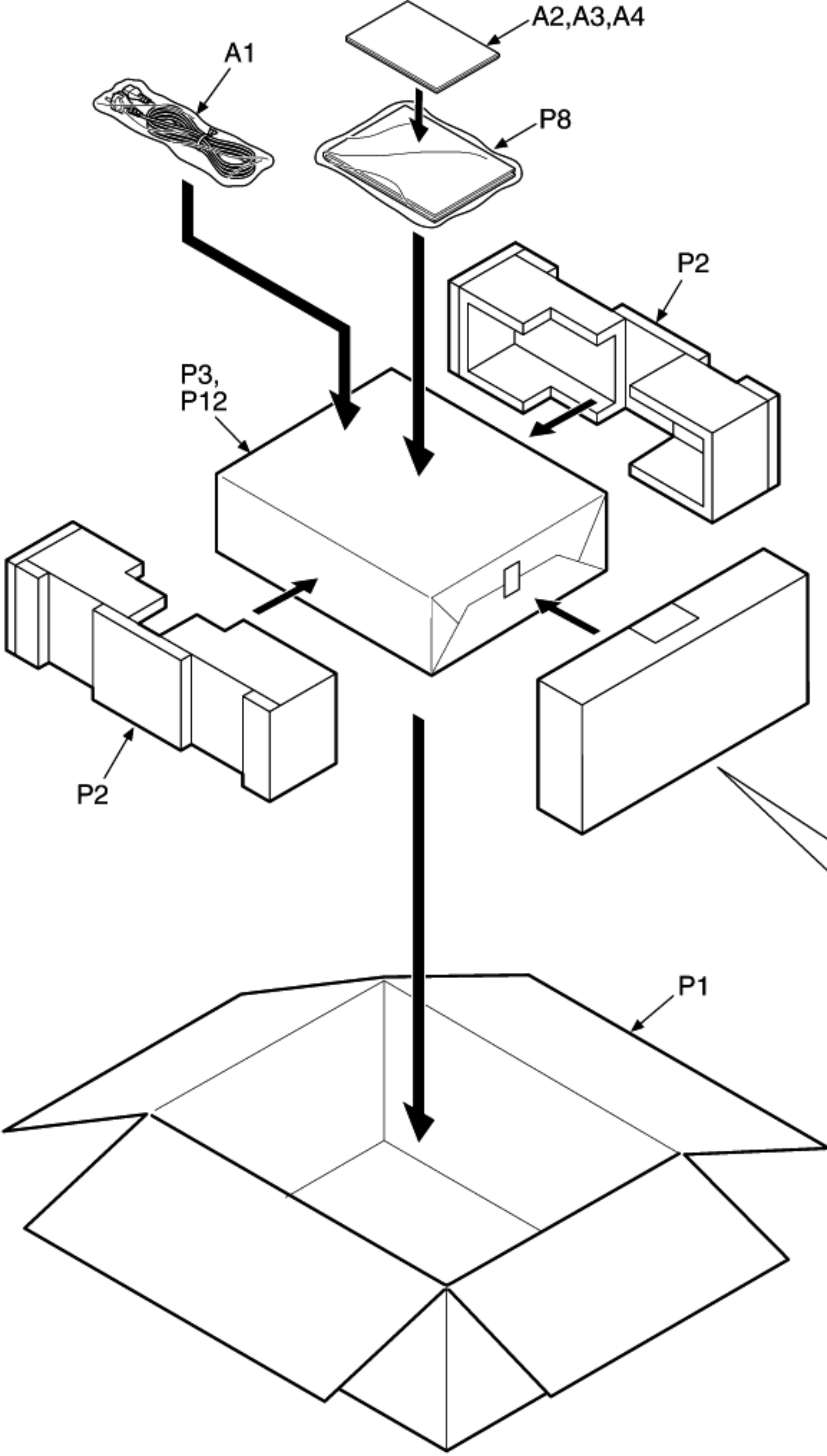




We do not supply those items of parts marked *.



We do not supply those items of parts marked *.



Service Manual

[TOP NEXT](#)

AD9809169C2

Amplifier

SU-C3000

(N).....Gold Type

E.....Europe.

EB.....Great Britain.

EG.....Germany.



Specifications (DIN 45 500)

Control AMP Section	
Input sensitivity/impedance:	
PHONO MM	3.5 mV/47 kΩ
LINE1, LINE2, CD, TAPE 1, TAPE 2	200 mV/47 kΩ
Total harmonic distortion:	
PHONO MM-REC OUT	0.003&percent; (20 Hz— 20 kHz)
LINE1, LINE2, CD, TAPE 1, TAPE 2-PRE OUT	0.002&percent; (20 Hz— 20 kHz)
S/N:	
AC operation	
PHONO MM	80 dB (93 dB, IHF'66)
LINE1, LINE2, CD, TAPE 1, TAPE 2	112 dB (113 dB, IHF'66)