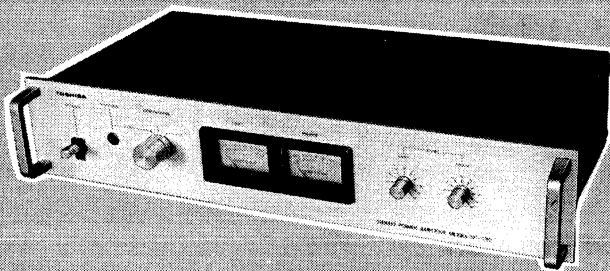


TOSHIBA

STEREO POWER AMPLIFIER

SC-330



SPECIFICATIONS

Main Amp Section	Power Band Width
Continuous Power Output	(IHF): 5 Hz to 50 kHz
20 Hz to 20 kHz both	Damping Factor: 25
ch. driven: 40W x 2 (4 ohm),	S/N (IHF A Network): 95 dB
38W x 2 (8 ohm)	General
1 kHz both ch.	Power Supply: AC 220V or AC 240V 50 Hz
driven: 43W x 2 (4 ohm),	Power Consumption: 220W
40W x 2 (8 ohm)	Semiconductors: Transistors 16
Total Harmonic	Diodes 22
Distortion: 0.1% (at rated power)	Weight: 5.5 kg
0.05% (at 1W)	Dimensions
Frequency Response: 5 Hz to 80 kHz (± 1 dB)	(W x H x D): 450 x 97 x 245 (m/m)

CONTENTS

1.	BLOCK DIAGRAM	2
2.	OPERATING CONTROLS	3
	FRONT VIEW	3
	REAR VIEW	3
3.	DISASSEMBLY INSTRUCTIONS	3
	TOP COVER REMOVAL	3
	BOTTOM COVER REMOVAL	3
	FRONT PANEL REMOVAL	4
4.	ADJUSTMENT INSTRUCTION	4
5.	SCHEMATIC DIAGRAM	5
6.	ELECTRICAL PARTS LOCATIONS	6
	Figure 10. Power Amplifier P.C. Board	6
	Figure 11. Supply P.C. Board	6
7.	EXPLODED VIEW (CABINET)	7
8.	PARTS LIST	8 to 9

1. BLOCK DIAGRAM

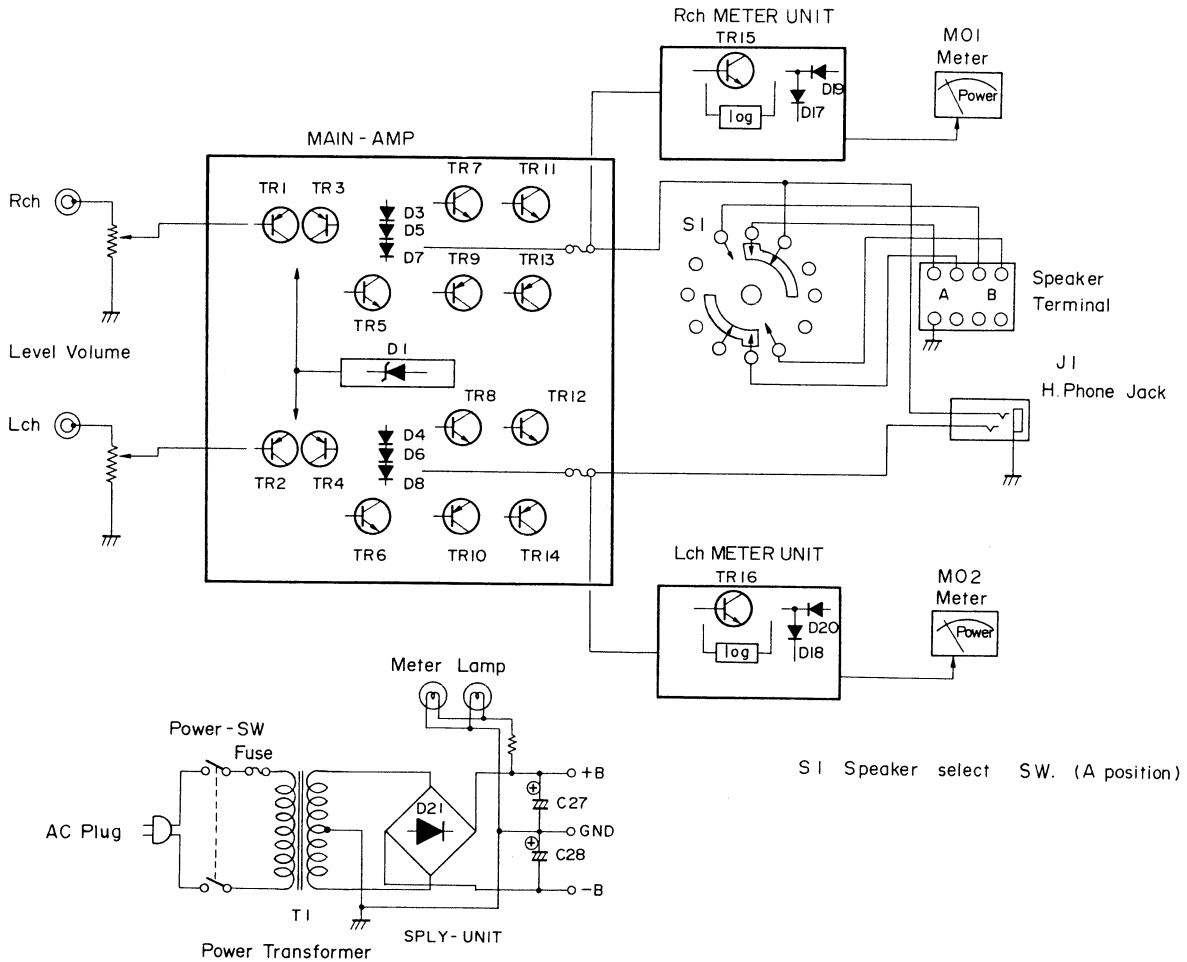


Figure 1

2. OPERATING CONTROLS

FRONT VIEW

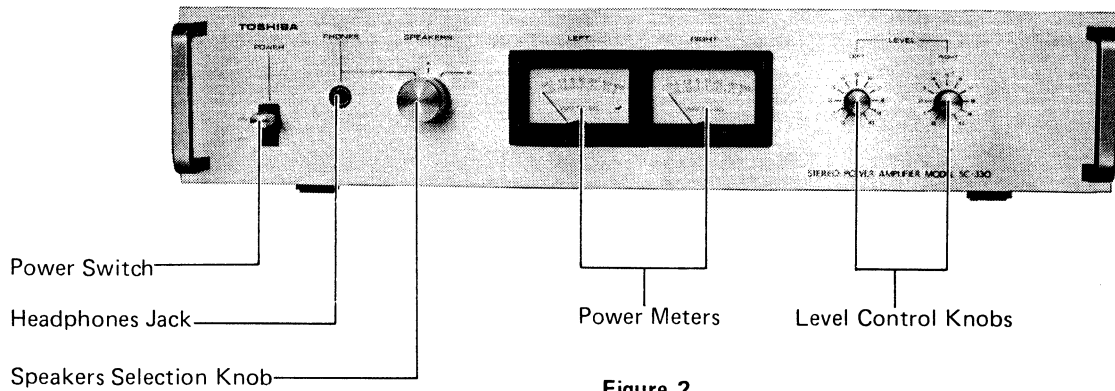


Figure 2

REAR VIEW

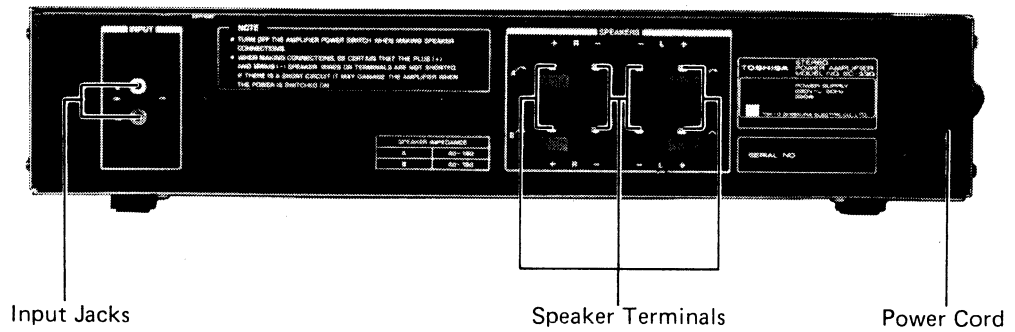


Figure 3

3. DISASSEMBLY INSTRUCTIONS

TOP COVER REMOVAL

1. Remove six screws ①. See figure 4.

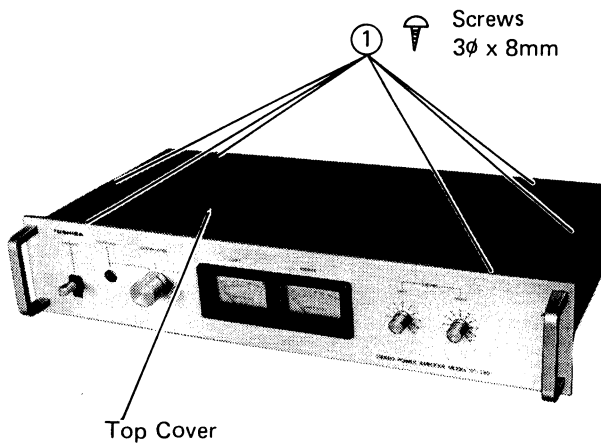


Figure 4

BOTTOM COVER REMOVAL

1. Remove four screws ②. See figure 5.

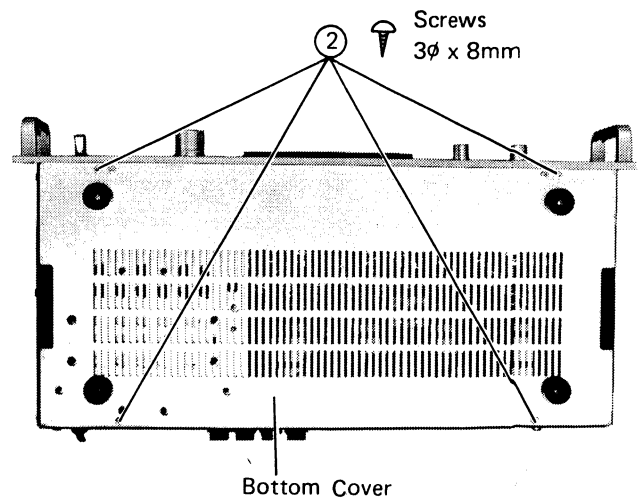


Figure 5

FRONT PANEL REMOVAL

1. Pull out the four knobs ③. See figure 6.
2. Remove two screws ④. See figure 7.

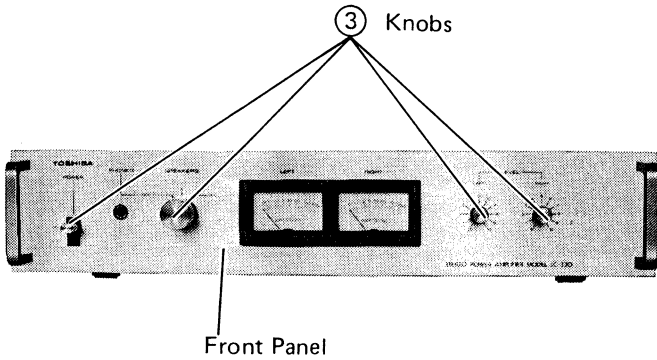


Figure 6

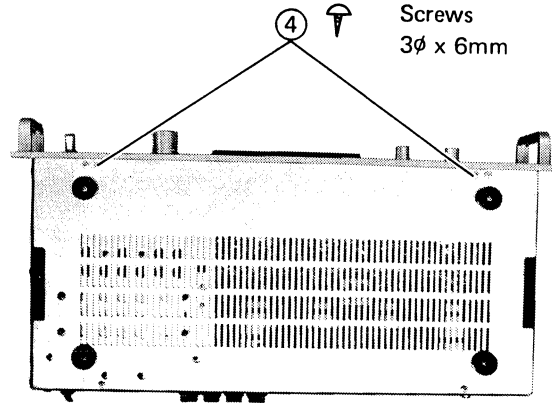


Figure 7

4. ADJUSTMENT INSTRUCTION

IDLE CURRENT ADJUSTMENT

R Channel Adjustment

- ① Measure voltages at both terminals R21 and R23 (RCH) on P.C. Board with a DC voltmeter.
- ② Turn on the power switch.
- ③ Adjust VR3 so the reading on the voltmeter is 2.4mV immediately after the power switch ON. (ID=5mA)

L Channel Adjustment

- ① Measure voltages also with R22 and R24 (LCH).
- ② Turn on the power switch.
- ③ Adjust VR4 so the reading on the voltmeter is 2.4mV immediately after the power switch ON. (ID=5mA)

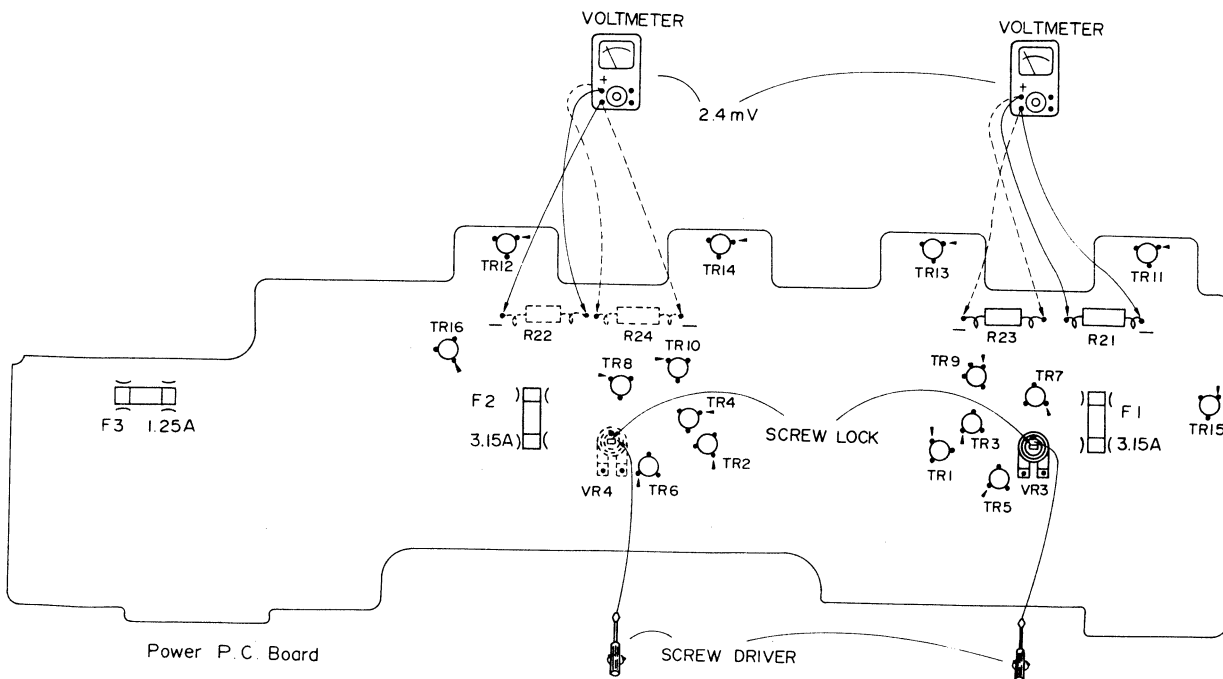


Figure 8

5. SCHEMATIC DIAGRAM

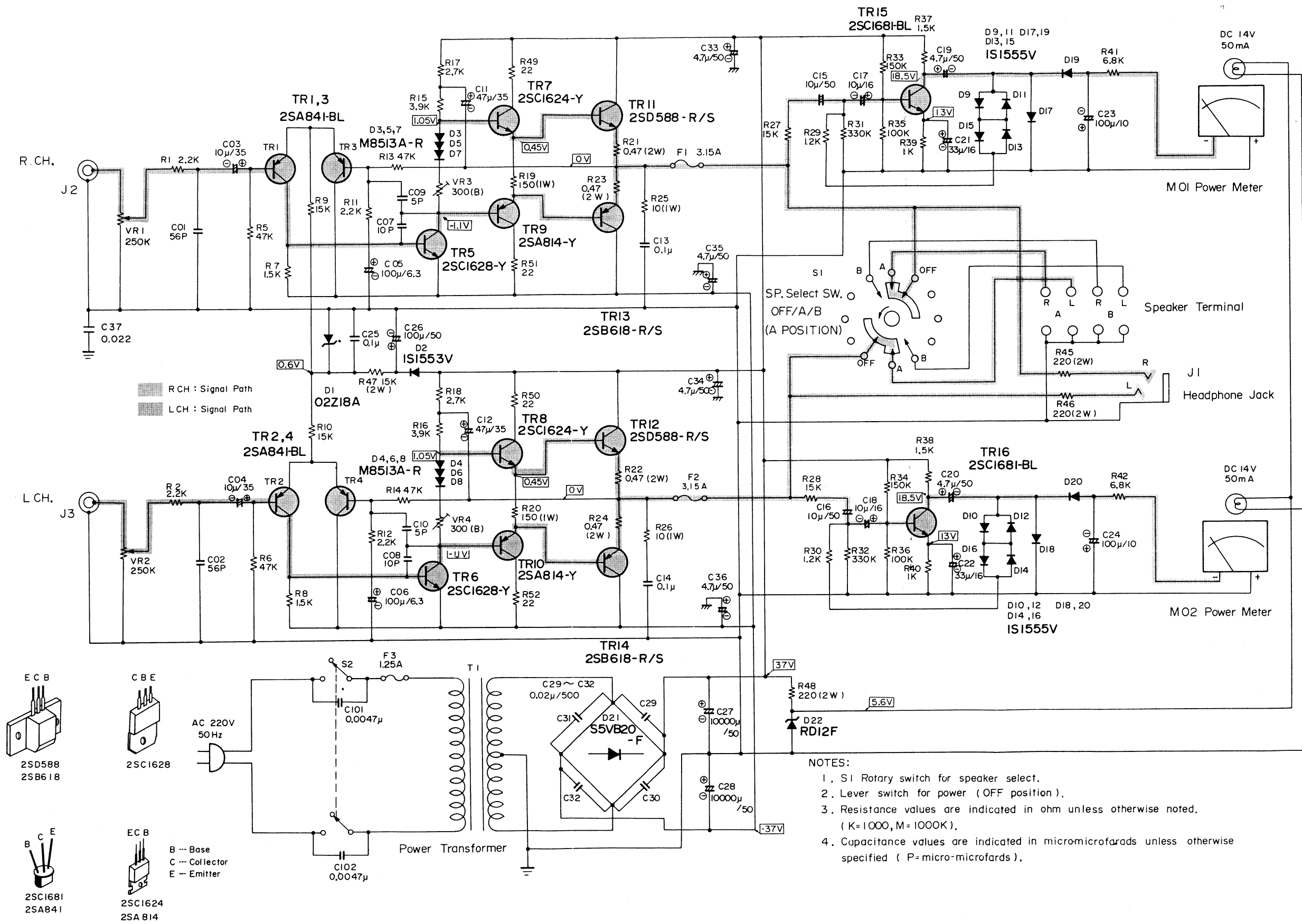


Figure 9.

6. ELECTRICAL PARTS LOCATIONS

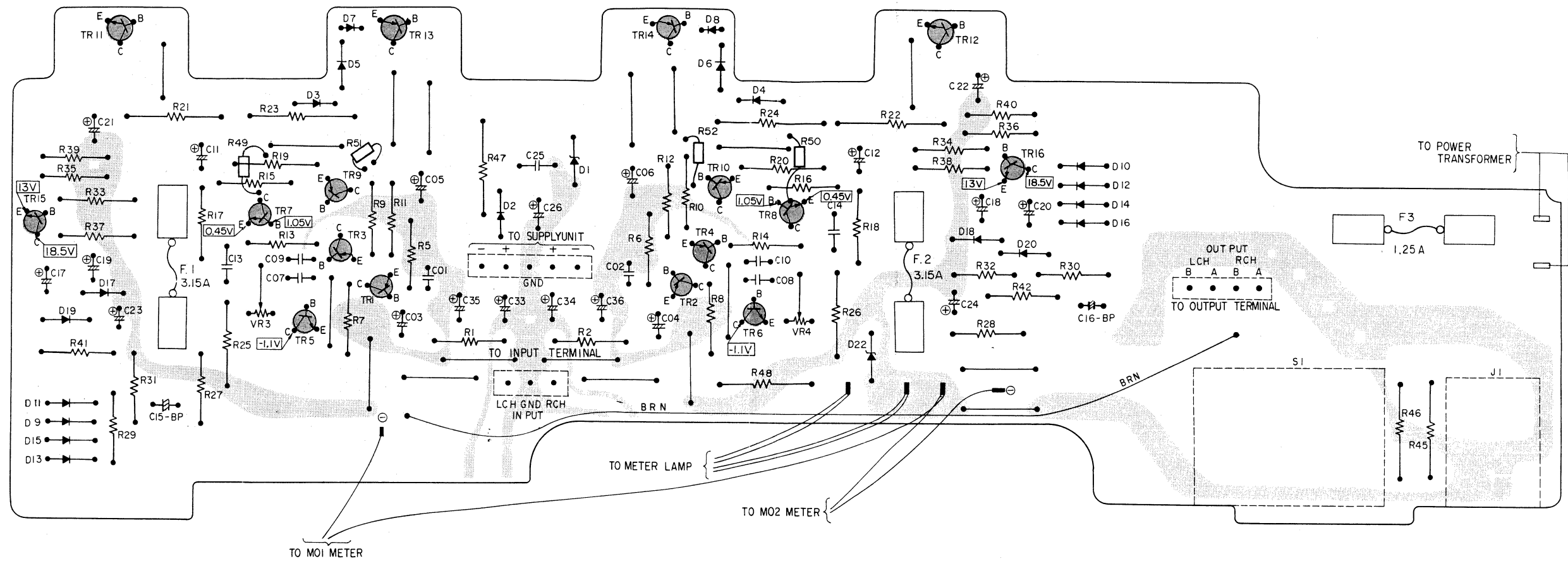


Figure 10. Power Amplifier P.C. Board

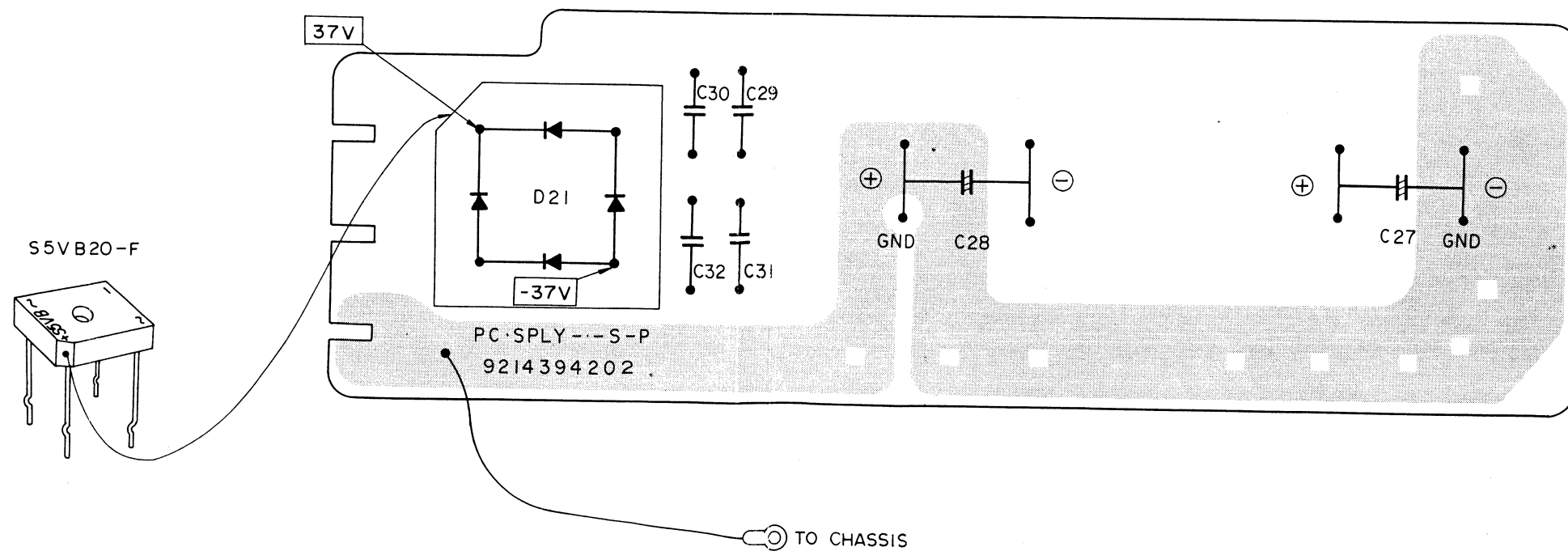


Figure 11. Supply P.C. Board

7. EXPLODED VIEW (CABINET)

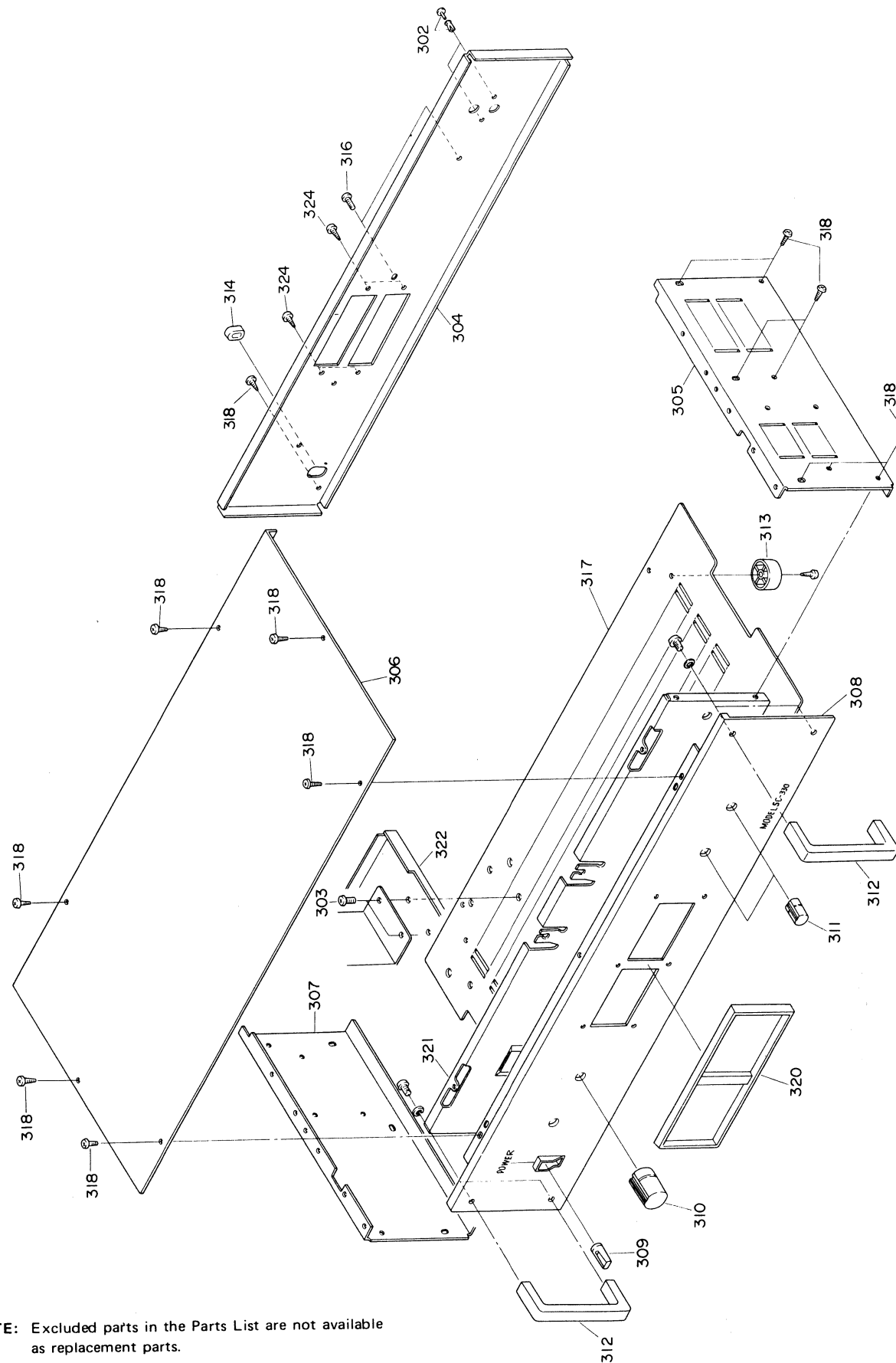


Figure 12.

8. PARTS LIST

Symbol No.	Part No.	Description
TRANSISTORS & DIODES		
TR1, 2		Transistor, 2SA841-BL
TR3, 4		
TR5, 6		Transistor, 2SC1628-Y
TR7, 8		Transistor, 2SC1624-Y
TR9, 10		Transistor, 2SA814-Y
TR11, 12	22114538	Transistor, 2SD588-R/S
TR13, 14	22114537	Transistor, 2SB618-R/S
TR15, 16		Transistor, 2SC1681-BL
D1		Diode, 02Z18A
D2		Diode, 1S1553V
D3, 4		Diode, M8513A-R
D5, 6		
D7, 8		
D9, 10		Diode, 1S1555V
D11, 12		
D13, 14		
D15, 16		
D17, 18		
D19, 20		
D21	22115397	Diode, S5VB20-F
D22	22115404	Diode, RD12F
ELECTRICAL PARTS		
M01, 02	22104344	Power Meter
	22113322	Lamp, Meter, 50mA/14V
F1, 2	22144310	Fuse, 3.15A
S1	22195053	Switch, Rotary, SPEAKERS
S2	22195049	Switch, Lever, POWER
	22162412	Terminal, Speaker,
J1	22163617	Jack, Headphone
J2, 3	22163613	Jack, US 2PIN
	22165074	Holder, Fuse
F3	22144357	Fuse, 1.25A
	22176286	Cord, Power
T1	22223112	Transformer, Power
	22165085	Holder, Fuse
CAPACITORS		
K = ±10%, D = ±0.5pF, M = ±20%, Z = -20 to +80%		
C01, 02	22362560	Ceramic, 56pF, 50V, K
C03, 04	22440053	Electrolytic, 10mfd, 35V
C05, 06	22440097	Electrolytic, 100mfd, 6.3V
C07, 08	22362100	Ceramic, 10pF, 50V, K
C09, 10	22361509	Ceramic, 5pF, 50V, D
C11, 12	22447470	Electrolytic, 47mfd, 35V
C13, 14	22373104	Mylar, 0.1mfd, 50V, M
C15, 16	22440169	Electrolytic, 10mfd, 50V
C17, 18	22445100	Electrolytic, 10mfd, 16V
C19, 20	22448479	Electrolytic, 4.7mfd, 50V
C21, 22	22445330	Electrolytic, 33mfd, 16V
C23, 24	22443101	Electrolytic, 100mfd, 10V
C25	22373104	Mylar, 0.1mfd, 50V, M

Symbol No.	Part No.	Description
C26	22448101	Electrolytic, 100mfd, 50V
C27, 28	22430063	Electrolytic, 10000mfd, 50V
C29, 30	22340032	Ceramic, 0.02mfd, 500V, Z
C31, 32		
C33, 34	22448479	Electrolytic, 4.7mfd, 50V
C35, 36		
C37	22342223	Ceramic, 0.022mfd, 50V, Z
C101, 102	22340090	Ceramic, 0.0047mfd, 250V, Z
RESISTORS		
All resistors are 1/4W, ±5%, carbon film resistor otherwise noted.		
R1, 2	22545222	2.2K ohm
R5, 6	22545473	47K ohm
R7, 8	22545152	1.5K ohm
R9, 10	22545153	15K ohm
R11, 12	22545222	2.2K ohm
R13, 14	22545473	47K ohm
R15, 16	22545392	3.9K ohm
R17, 18	22545272	2.7K ohm
R19, 20	22570088	150 ohm, 1W, Metal Oxide Film, ±10%
R21, 22	22500093	0.47 ohm, 2W, Cemented, ±10%
R23, 24		
R25, 26	22570120	10 ohm, 1W, Metal Oxide Film, ±5%
R27, 28	22545153	15K ohm
R29, 30	22545122	1.2K ohm
R31, 32	22545334	330K ohm
R33, 34	22545154	150K ohm
R35, 36	22545104	100K ohm
R37, 38	22545152	1.5K ohm
R39, 40	22545102	1K ohm
R41, 42	22545682	6.8K ohm
R45, 46	22570022	220 ohm, 2W, Metal Oxide Film, ±10%
R47	22570116	1.5K ohm, 2W, Metal Oxide Film, ±5%
R48	22500103	220 ohm, 5W, Cemented, ±10%
R49, 50	22563220	22 ohm, 1/2W, Composition, ±10%
R51, 52		
VR1, 2	22625408	250K ohm, Variable Resistor
VR3, 4	22658393	300 ohm, Semi-fixed Resistor
CABINET PARTS		
302	22705020	Rivet, Plastic, 3φ x 4.5mm
303	22707040	Screw, 4φ x 6mm
304	22711527	Plate, Jack
305	22711449	Plate, Side (RIGHT)
306	22711455	Cover, Top
307	22711462	Plate, Side (LEFT)
308	22821350	Panel Ass'y
309	22824215	Knob, Lever

Symbol No.	Part No.	Description
310	22826134	Knob, Level
311	22826152	Knob, Ass'y, Microphone
312	22839086	Handle
313	22874033	Foot
314	25845120	Bush, Nylon, Power Cord
316	22707163	Screw, 3φ x 10mm
318	22701326	Tapping Screw, 3φ x 8mm
320	22837295	Decoration, Meter
323	22758020	Cushion, Transformer
324	22707165	Tapping Screw, 3φ x 10mm
ACCESSORY		
	22954550	Owner's Manual


TOSHIBA

MANUFACTURED BY
TOKYO SHIBAURA ELECTRIC CO., LTD.
 2-1, GINZA 5-CHOME, CHUO-KU, TOKYO 104, JAPAN
 CABLE: TOSHIBAGNZ TOKYO, TELEX NO.: J24681, J24682, J24683