

INTEGRATED AMPLIFIER A-S3000

SERVICE MANUAL

A-S3000

IMPORTANT NOTICE

This manual has been provided for the use of authorized Yamaha Retailers and their service personnel.

It has been assumed that basic service procedures inherent to the industry, and more specifically Yamaha Products, are already known and understood by the users, and have therefore not been restated.

WARNING: Failure to follow appropriate service and safety procedures when servicing this product may result in personal injury, destruction of expensive components, and failure of the product to perform as specified. For these reasons, we advise all Yamaha product owners that any service required should be performed by an authorized Yamaha Retailer or the appointed service representative.

IMPORTANT: The presentation or sale of this manual to any individual or firm does not constitute authorization, certification or recognition of any applicable technical capabilities, or establish a principle-agent relationship of any form.

The data provided is believed to be accurate and applicable to the unit(s) indicated on the cover. The research, engineering, and service departments of Yamaha are continually striving to improve Yamaha products. Modifications are, therefore, inevitable and specifications are subject to change without notice or obligation to retrofit. Should any discrepancy appear to exist, please contact the distributor's Service Division.

WARNING: Static discharges can destroy expensive components. Discharge any static electricity your body may have accumulated by grounding yourself to the ground buss in the unit (heavy gauge black wires connect to this buss).

IMPORTANT: Turn the unit OFF during disassembly and part replacement. Recheck all work before you apply power to the unit.

■ CONTENTS

TO SERVICE PERSONNEL	2	AMPLIFIER ADJUSTMENT / アンプ調整	32-34
FRONT PANELS	3	IC DATA	35-40
REAR PANELS	4-6	PIN CONNECTION DIAGRAMS	41
REMOTE CONTROL PANEL	7	BLOCK DIAGRAMS	42-43
SPECIFICATIONS / 参考仕様	7-8	WIRING DIAGRAMS	44-45
INTERNAL VIEW	9	PRINTED CIRCUIT BOARDS	46-64
SERVICE PRECAUTIONS / サービス時の注意事項	9	SCHEMATIC DIAGRAMS	65-71
DISASSEMBLY PROCEDURES / 分解手順	10-20	REPLACEMENT PARTS LIST	73-99
UPDATING FIRMWARE / ファームウェアのアップデート	21-25	REMOTE CONTROL	100
SELF-DIAGNOSTIC FUNCTION / ダイヤグ (自己診断機能)	26-31		

■ TO SERVICE PERSONNEL

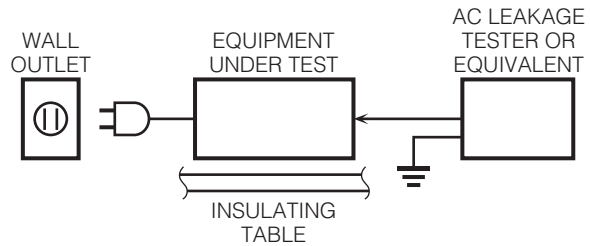
1. Critical Components Information

Components having special characteristics are marked Δ and must be replaced with parts having specifications equal to those originally installed.

2. Leakage Current Measurement (For 120V Models Only)

When service has been completed, it is imperative to verify that all exposed conductive surfaces are properly insulated from supply circuits.

- Meter impedance should be equivalent to 1500 ohms shunted by 0.15 μ F.



- Leakage current must not exceed 0.5mA.
- Be sure to test for leakage with the AC plug in both polarities.



For U model

“CAUTION”

“F1: FOR CONTINUED PROTECTION AGAINST RISK OF FIRE, REPLACE ONLY WITH SAME TYPE 10A, 125V FUSE.”

For C model

CAUTION

F1: REPLACE WITH SAME TYPE 10A, 125V FUSE.

ATTENTION

F1: UTILISER UN FUSIBLE DE RECHANGE DE MÊME TYPE DE 10A, 125V.

WARNING: CHEMICAL CONTENT NOTICE!

This product contains chemicals known to the State of California to cause cancer, or birth defects or other reproductive harm.

DO NOT PLACE SOLDER, ELECTRICAL/ELECTRONIC OR PLASTIC COMPONENTS IN YOUR MOUTH FOR ANY REASON WHATSOEVER!

Avoid prolonged, unprotected contact between solder and your skin! When soldering, do not inhale solder fumes or expose eyes to solder/flux vapor!

If you come in contact with solder or components located inside the enclosure of this product, wash your hands before handling food.

About lead free solder / 無鉛ハンダについて

All of the P.C.B.s installed in this unit and solder joints are soldered using the lead free solder.

Among some types of lead free solder currently available, it is recommended to use one of the following types for the repair work.

- Sn + Ag + Cu (tin + silver + copper)
- Sn + Cu (tin + copper)
- Sn + Zn + Bi (tin + zinc + bismuth)

Caution:

As the melting point temperature of the lead free solder is about 30°C to 40°C (50°F to 70°F) higher than that of the lead solder, be sure to use a soldering iron suitable to each solder.

本機に搭載されているすべての基板およびハンダ付けによる接合部は無鉛ハンダでハンダ付けされています。

無鉛ハンダにはいくつかの種類がありますが、修理時には下記のような無鉛ハンダの使用を推奨します。

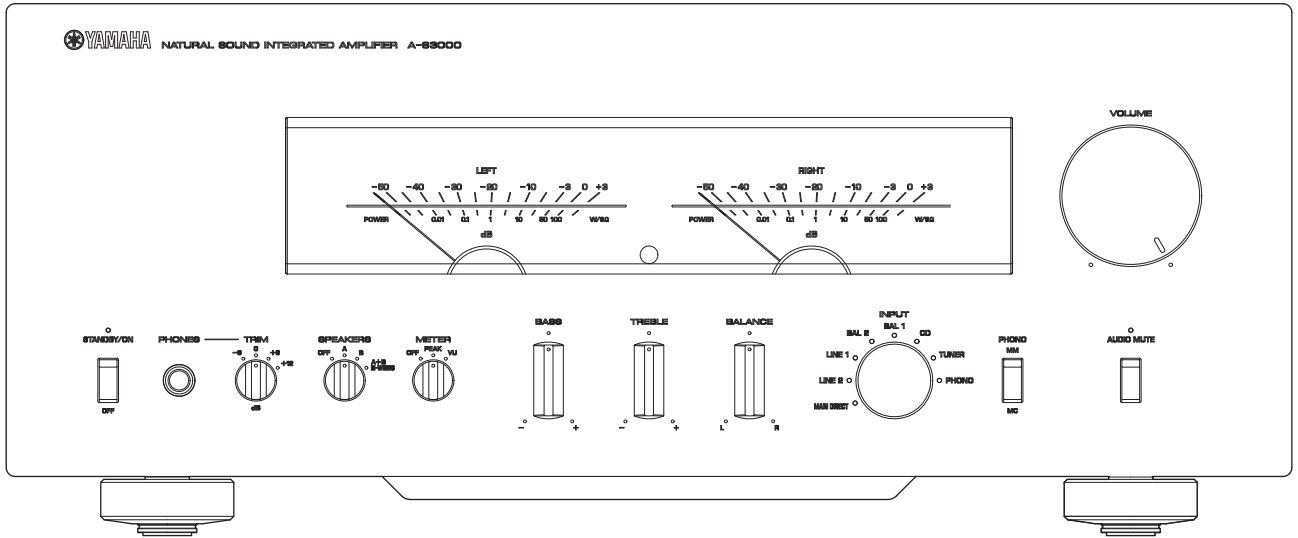
- Sn+Ag+Cu (錫 + 銀 + 銅)
- Sn+Cu (錫 + 銅)
- Sn+Zn+Bi (錫 + 亜鉛 + ビスマス)

注意：

無鉛ハンダの融点温度は通常の鉛入りハンダに比べ 30 ~ 40°C程度高くなっていますので、それぞれのハンダに合ったハンダごてをご使用ください。

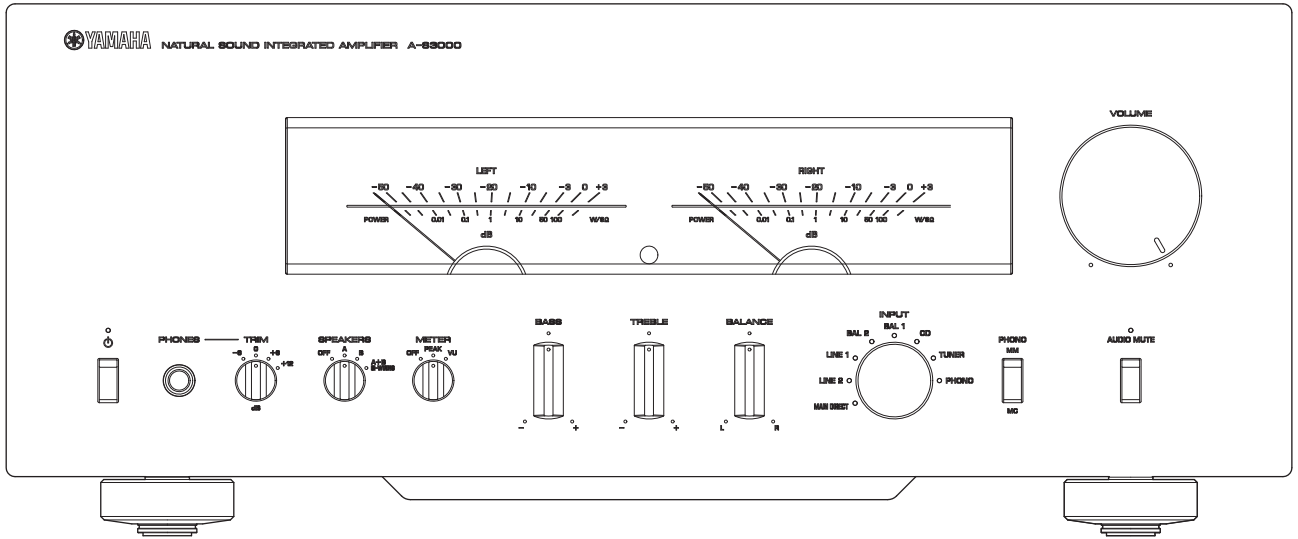
FRONT PANELS

U, K, A, B, G, L, V, J models



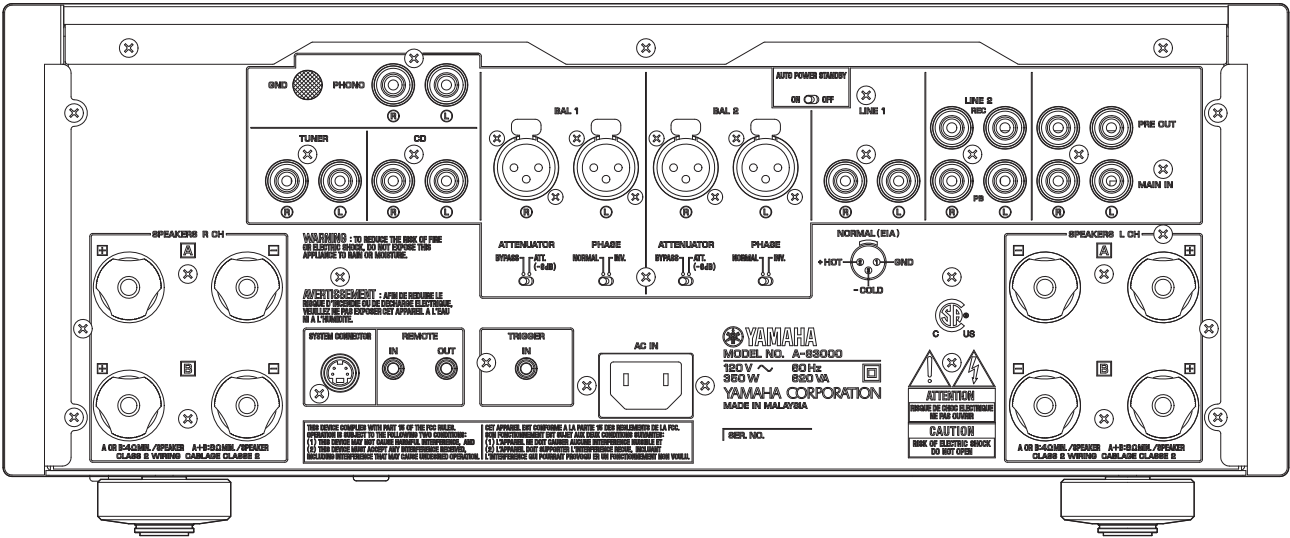
A-S3000

T model

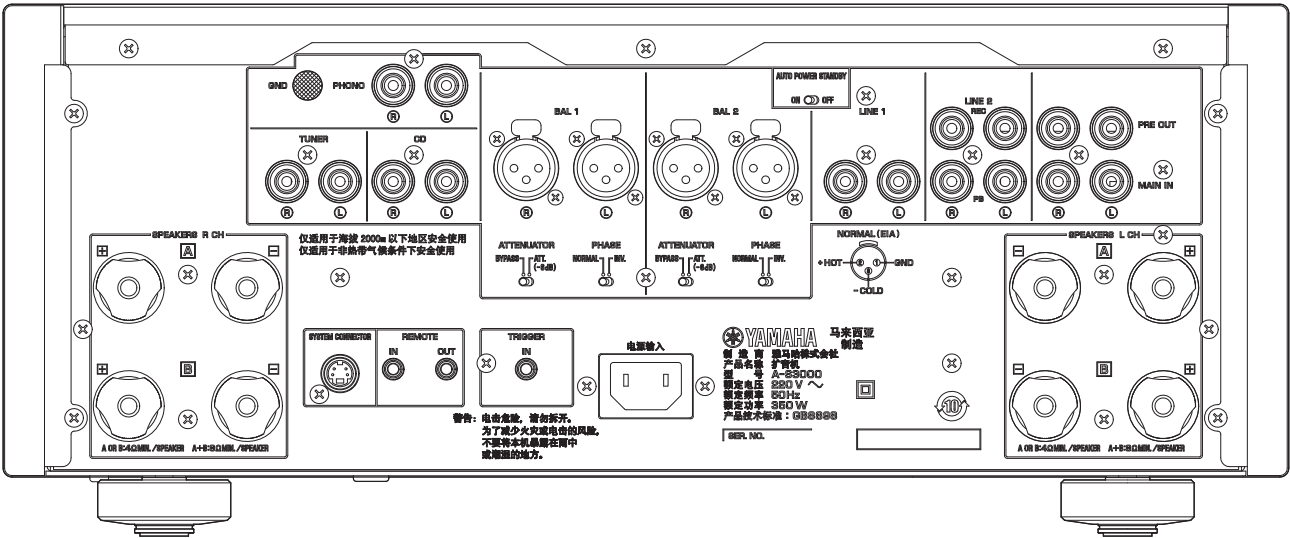


REAR PANELS

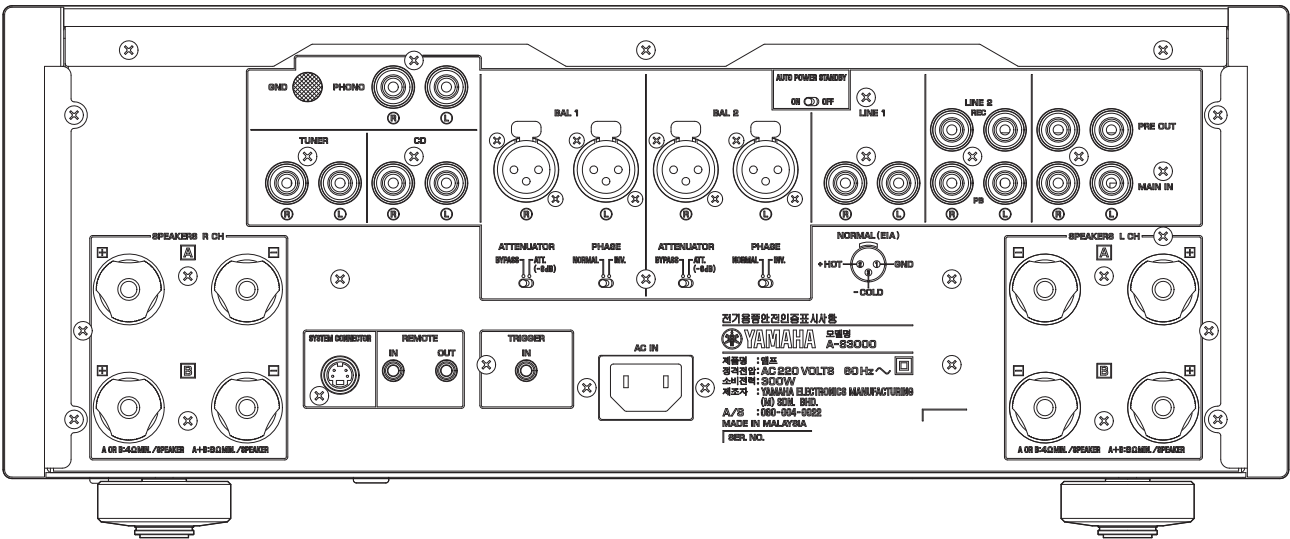
U model



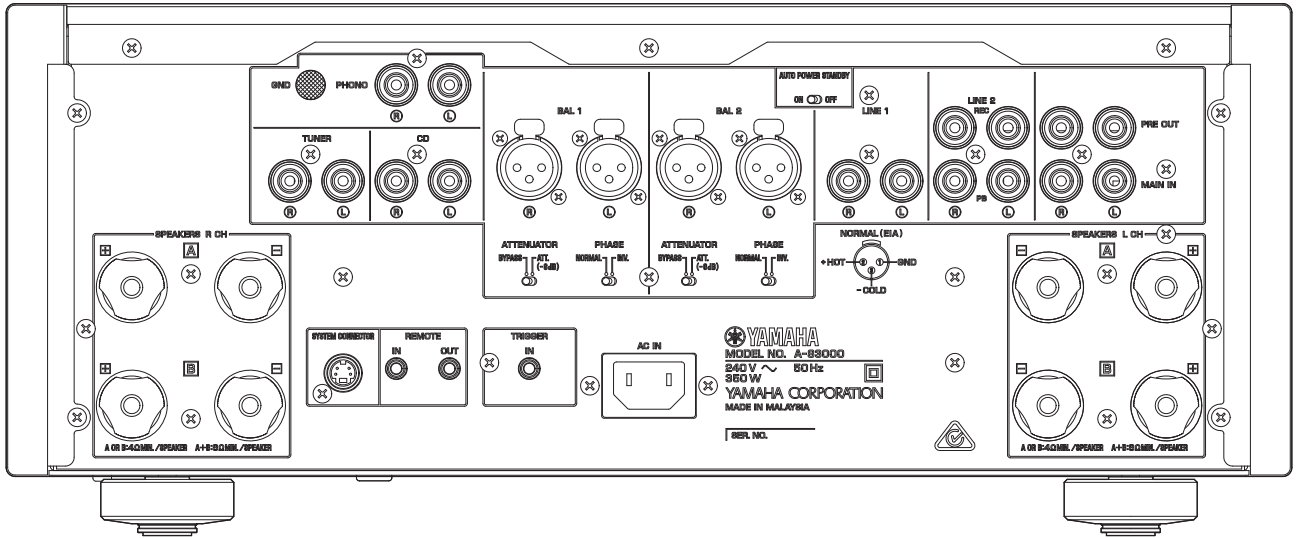
T model



K model

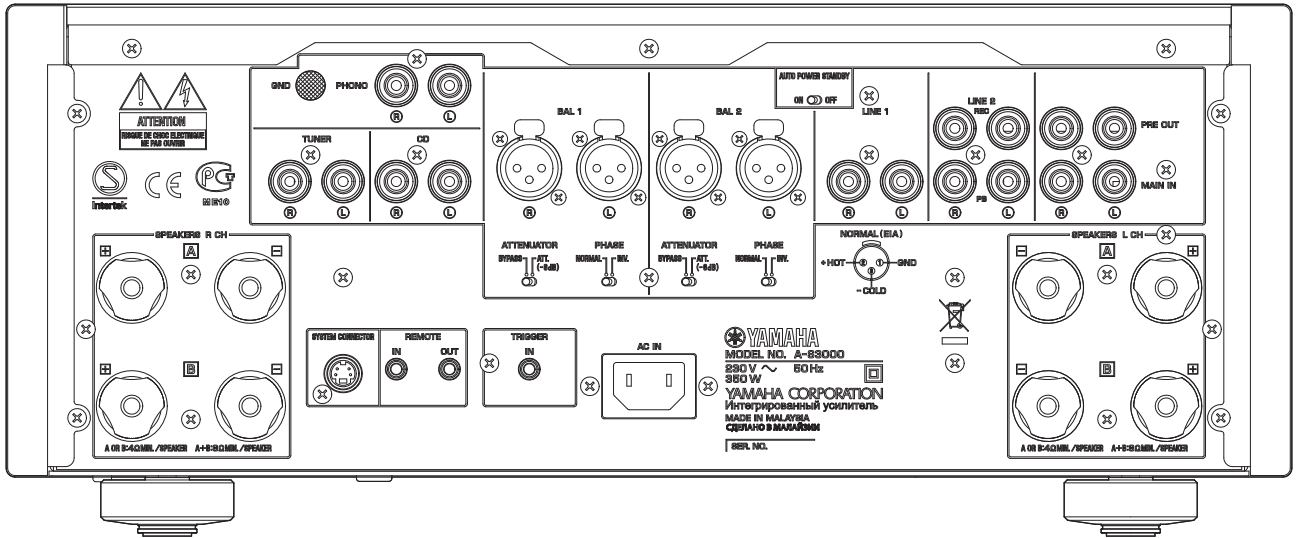


A model

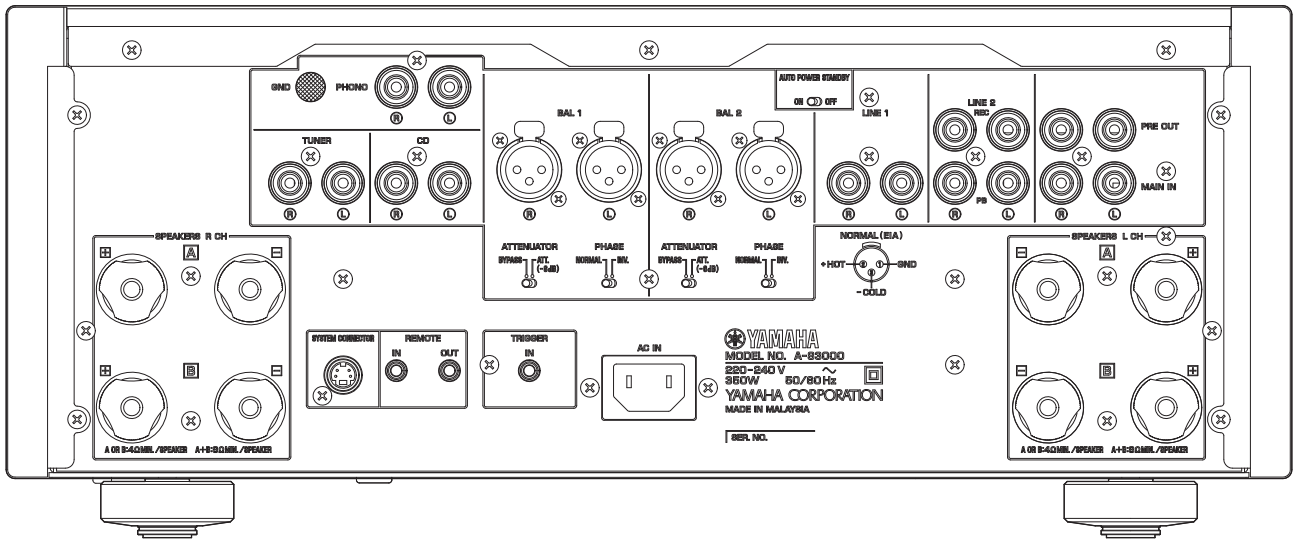


A-S3000

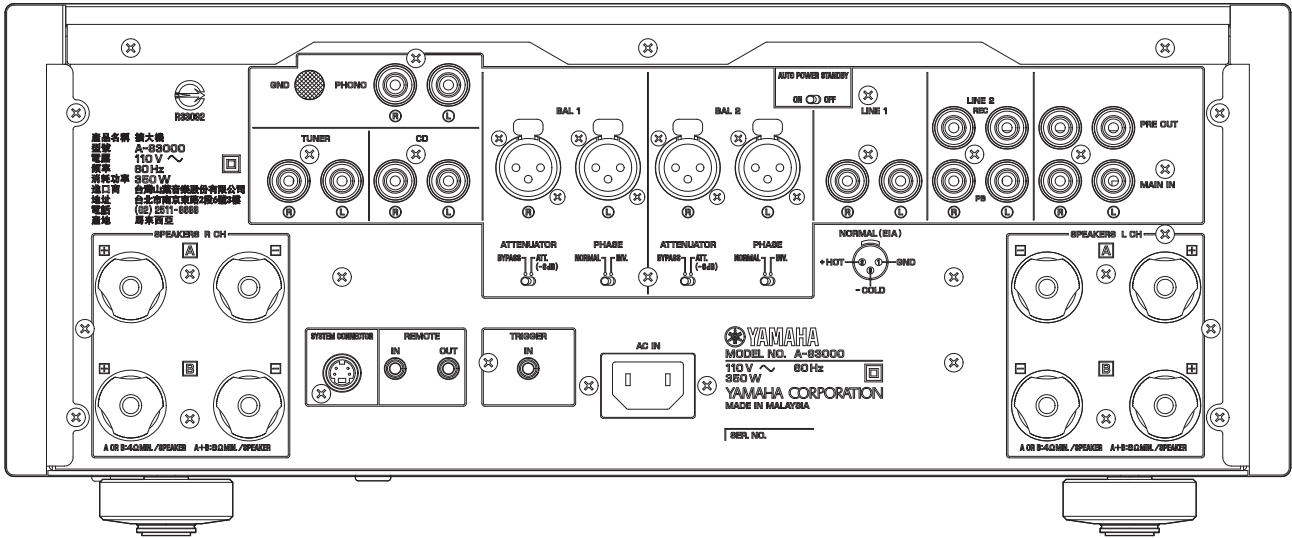
B, G models



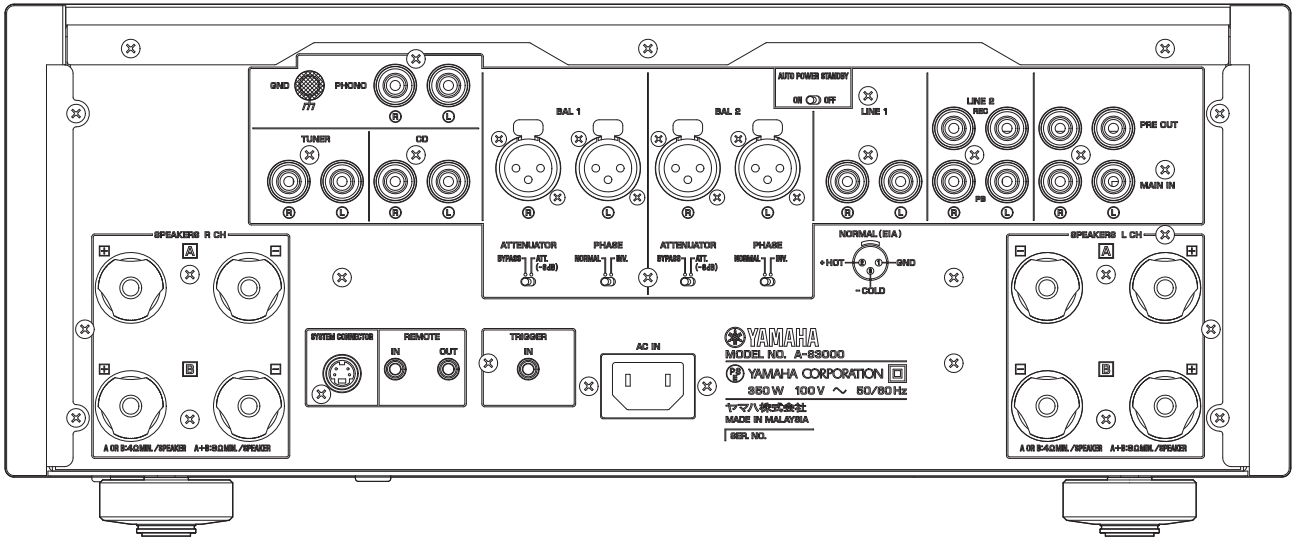
L model



V model

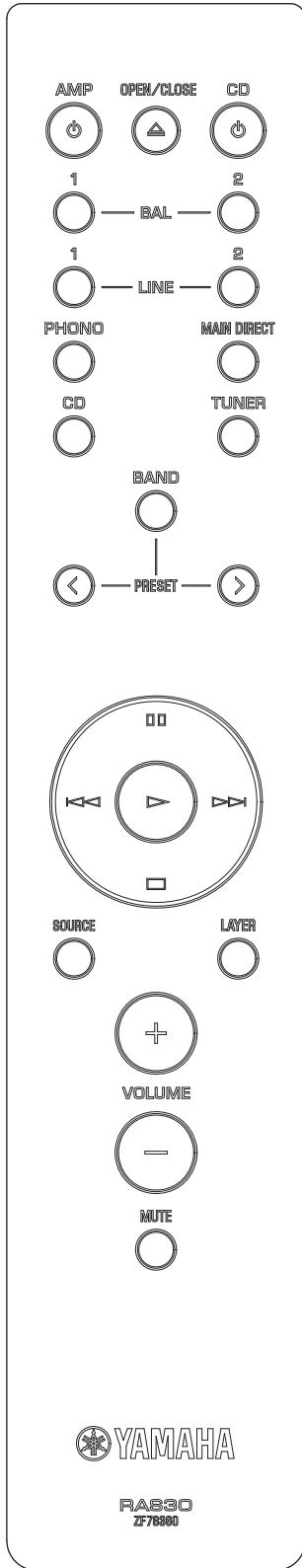


J model



■ REMOTE CONTROL PANEL

RAS30



■ SPECIFICATIONS / 参考仕様

■ Audio Section / オーディオ部

Rated Output Power / 定格出力 (20 Hz to 20 kHz, 0.07 % THD)	
8 ohms	100 W + 100 W
4 ohms	150 W + 150 W
Dynamic Power Per Channel / ダイナミックパワー (IHF)	
8 ohms	120 W + 120 W
6 ohms	150 W + 150 W
4 ohms	200 W + 200 W
2 ohms	300 W + 300 W
Dynamic Headroom / ダイナミックヘッドルーム	
8 ohms	0.79 dB
Maximum Power Per Channel (1 kHz, 0.7 % THD) [B, G models]	
4 ohms	170 W + 170 W
IEC Output Power (1 kHz, 0.02 % THD) [B, G models]	
8 ohms	105 W + 105 W
Maximum Effective Output Power / 実用最大出力 (JEITA) (1 kHz, 10 % THD) [T, K, B, L, V, J models]	
8 ohms	130 W + 130 W
4 ohms	210 W + 210 W
Power Bandwidth / 出力帯域幅 (0.1 % THD, 45 W / MAIN L/R drive)	
8 ohms	10 Hz to 60 kHz
Damping Factor / ダンピングファクタ (1 kHz)	
8 ohms	250 or more
Input Sensitivity/Input Impedance / 入力感度/入力インピーダンス (1 kHz, 10 % THD)	
PHONO (MC)	100 μ Vrms / 50 ohms
(MM)	2.5 mVrms / 47 k-ohms
CD, etc.	200 mVrms / 47 k-ohms
MAIN IN	1 Vrms / 47 k-ohms
BAL (balanced) 1, 2	200 mVrms / 100 k-ohms
Maximum Power / 最大出力 (JEITA) (1 kHz, 10 % THD) [T, L, V, J models]	
8 ohms	120 W + 120 W
4 ohms	190 W + 190 W
Maximum Input Signal Voltage / 最大許容入力電圧 (1 kHz)	
PHONO (0.003 % THD) (MC)	2.3 mVrms
(MM)	50 mVrms
CD, etc. (0.5 % THD)	2.80 mVrms
BAL (balanced) 1, 2 (0.5 % THD)	
BYPASS	2.80 mVrms
ATT. (-6 dB)	5.60 mVrms
Rated Output Voltage/Output Impedance / 定格出力電圧/出力インピーダンス	
REC OUT	200 mVrms / 1.5 k-ohms
PRE OUT	1.0 Vrms / 1.5 k-ohms
Headphone Jack Rated Output Power / ヘッドホン定格出力 (1 kHz, 32 ohms, 0.2 % THD)	
CD, etc.	70 mW + 70 mW
Frequency Response / 周波数特性	
CD, etc. (5 Hz to 100 kHz)	+0 / -3 dB
(20 Hz to 20 kHz)	+0 / -0.3 dB

Deviations from RIAA Equalizer / RIAA イコライザ偏差

PHONO (MC)	±0.5 dB
(MM)	±0.5 dB

Total Harmonic Distortion / 全高調波歪率 (20 Hz to 20 kHz)

PHONO (MC) to REC OUT (1.2 Vrms)	0.02 %
(MM) to REC OUT (1.2 Vrms)	0.005 %
CD, etc. to SP OUT (50 W/8 ohms)	0.025 %
BAL (balanced) 1, 2 to SP OUT (50 W/8 ohms)	0.025 %

Signal to Noise Ratio / 信号対雑音比 (IHF-A network)

PHONO (MC) (Input shorted, 500 µVrms)	85 dB
(MM) (Input shorted, 5 mVrms)	93 dB
CD, etc. (Input shorted, 200 mVrms)	103 dB

Residual Noise / 残留ノイズ (IHF-A network)

.....	33 µVrms
-------	----------

Channel Separation / チャンネルセパレーション (1 kHz/10 kHz)

PHONO (MC) (Input shorted, Vol: -30 dB)	66 dB or more / 77 dB or more
(MM) (Input shorted, Vol: -30 dB)	90 dB or more / 77 dB or more
CD, etc. (Input 5.1 k-ohms terminated)	74 dB or more / 54 dB or more

Tone Control Characteristics / トーンコントロール特性

Bass	
Boost/Cut	±9 dB, at 50 Hz
Turnover frequency	350 Hz
Treble	
Boost/Cut	±9 dB, at 20 kHz
Turnover frequency	3.5 kHz

General / 総合

Power Supply / 電源電圧

U model	AC 120 V, 60 Hz
T model	AC 220 V, 50 Hz
K model	AC 220 V, 60 Hz
A model	AC 240 V, 50 Hz
B, G models	AC 230 V, 50 Hz
L model	AC 220-240 V, 50/60 Hz
V model	AC 110 V, 60 Hz
J model	AC 100 V, 50/60 Hz

Power Consumption / 消費電力

U model	350 W/500 VA
T, K, A, B, G, L, V, J models	350 W

Standby Power Consumption (reference data) / 待機時消費電力 (参考値)

.....	0.3 W
-------	-------

Maximum Power Consumption (1 kHz, 8 ohms, 10 % THD) [V model]

.....	700 W
-------	-------

Dimensions (W x H x D) / 寸法 (幅 × 高さ × 奥行き)

.....	435 x 180 x 464 mm (17-1/8" x 7-1/8" x 18-1/4")
-------	---

Weight / 質量

.....	24.6 kg (54.2 lbs.)
-------	---------------------

Finish / 仕上げ

K, A, G, L, V models	Black/Dark brown color
U, T, A, B, G, L, V, J models	Black/Piano black color
K, A, G, L, V models	Silver/Birch color
U, T, A, B, G, L, V, J models	Silver/Piano black color

Color: Front and top panels / Side panel

Accessories / 付属品

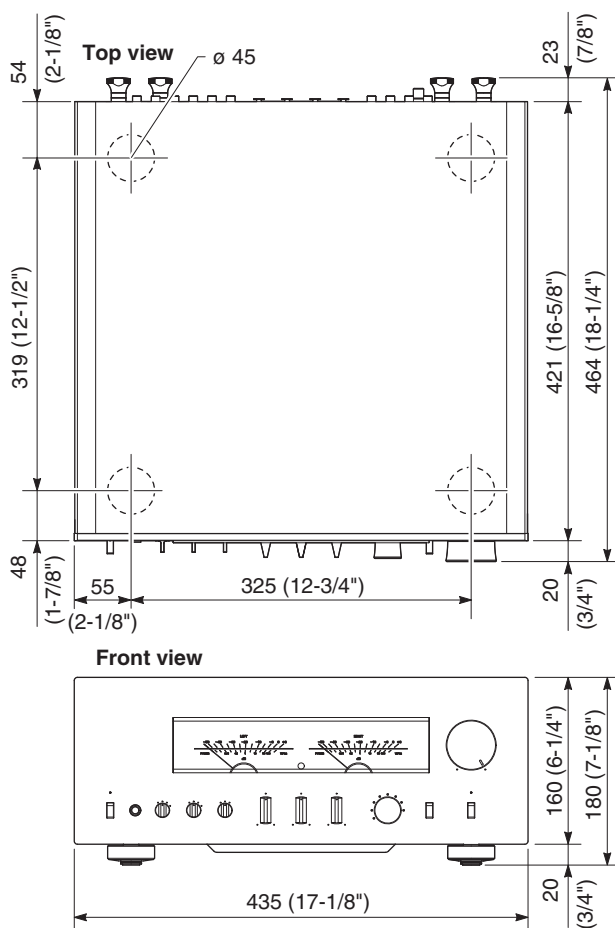
Remote control	x 1
Battery (R03, AAA, UM-4)	x 2
Power cable (2.0 m) (U, T, K, A, B, G, L, V models)	x 1
(1.5 m) (J model)	x 1

* Specifications are subject to change without notice.

※ 参考仕様および外観は、製品の改良のため予告なく変更することがあります。

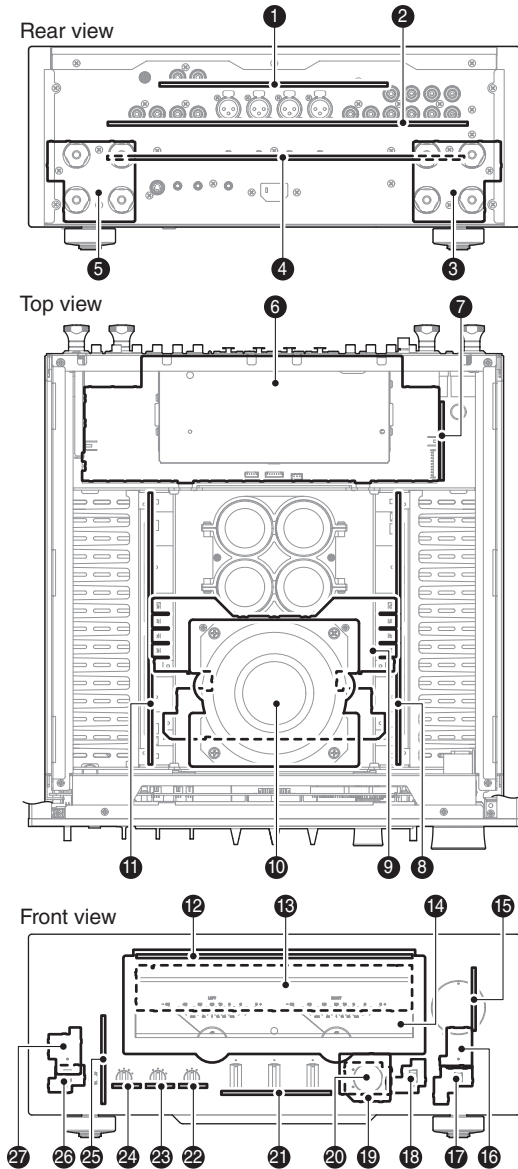
U	U.S.A. model	G	European model
T	Chinese model	L	Singapore model
K	Korean model	V	Taiwan model
A	Australian model	J	Japanese model
B	British model		

DIMENSIONS / 寸法図



Unit: mm (inch)
単位: mm (インチ)

INTERNAL VIEW



- ① INPUT (2) P.C.B.
- ② INPUT (1) P.C.B.
- ③ FRONT (16) P.C.B.
- ④ FUNCTION (2) P.C.B.
- ⑤ FRONT (15) P.C.B.
- ⑥ FUNCTION (1) P.C.B.
- ⑦ INPUT (3) P.C.B.
- ⑧ MAIN (1) P.C.B.
- ⑨ MAIN (3) P.C.B.
- ⑩ POWER TRANSFORMER
- ⑪ MAIN (2) P.C.B.
- ⑫ LED P.C.B.
- ⑬ FRONT (1) P.C.B.
- ⑭ METER UNIT
- ⑮ FRONT (2) P.C.B.
- ⑯ FRONT (3) P.C.B.
- ⑰ FRONT (5) P.C.B.
- ⑱ FRONT (6) P.C.B.
- ⑲ FRONT (4) P.C.B.
- ⑳ FRONT (7) P.C.B.
- ㉑ FRONT (8) P.C.B.
- ㉒ FRONT (9) P.C.B.
- ㉓ FRONT (10) P.C.B.
- ㉔ FRONT (11) P.C.B.
- ㉕ FRONT (12) P.C.B.
- ㉖ FRONT (14) P.C.B.
- ㉗ FRONT (13) P.C.B.

SERVICE PRECAUTIONS / サービス時の注意事項

Safety measures

- Some internal parts in this product contain high voltages and are dangerous.
Be sure to take safety measures during servicing, such as wearing insulating gloves.
- Note that the capacitors indicated below are dangerous even after the power is turned off because an electric charge remains and a high voltage continues to exist there.
Before starting any repair work, connect a discharging resistor (5 k-ohms/10 W) to the terminals of each capacitor indicated below to discharge electricity.
The time required for discharging is about 30 seconds per each.

C317 to C320 on MAIN (3) P.C.B.

For details, refer to "PRINTED CIRCUIT BOARDS".

安全対策

- この製品の内部には高電圧部分があり危険です。修理の際は、絶縁性の手袋を使用するなどの安全対策を行ってください。
- 下記のコンデンサには電源を OFF にした後も電荷が残り、高電圧が維持されており危険です。
修理作業前に放電用抵抗 (5 k Ω / 10 W) を下記の各コンデンサの端子間に接続して放電してください。
放電所用時間は各々約 30 秒間です。

MAIN (3) P.C.B. の C317 ~ C320

詳しくは "PRINTED CIRCUIT BOARDS" を参照してください。

■ DISASSEMBLY PROCEDURES / 分解手順

(Remove parts in the order as numbered.)
Disconnect the power cable from the AC outlet.

(番号順に部品を外してください。)
AC 電源コンセントから、電源コードを抜いてください。

1. Removal of Top Panel

- a. Remove 3 screws (①). (Fig. 1)
- b. Remove the top panel. (Fig. 1)

1. トップパネルの外し方

- a. ① ネジ 3 本を外します。(Fig. 1)
- b. トップパネルを外します。(Fig. 1)

2. Removal of Side Panel L and Side Panel R

- a. Remove 3 screws (②). (Fig. 1)
- b. Lift the side panel L a little, release hooks at 3 locations and then remove the side panel L. (Fig. 1)
- c. Remove 3 screws (③). (Fig. 1)
- d. Lift the side panel R a little, release hooks at 3 locations and remove the side panel R. (Fig. 1)

2. サイドパネル L、サイドパネル R の外し方

- a. ② のネジ 3 本を外します。(Fig. 1)
- b. サイドパネル L を少し持ち上げ、3ヶ所のフックを外し、サイドパネル L を外します。(Fig. 1)
- c. ③ のネジ 3 本を外します。(Fig. 1)
- d. サイドパネル R を少し持ち上げ、3ヶ所のフックを外し、サイドパネル R を外します。(Fig. 1)

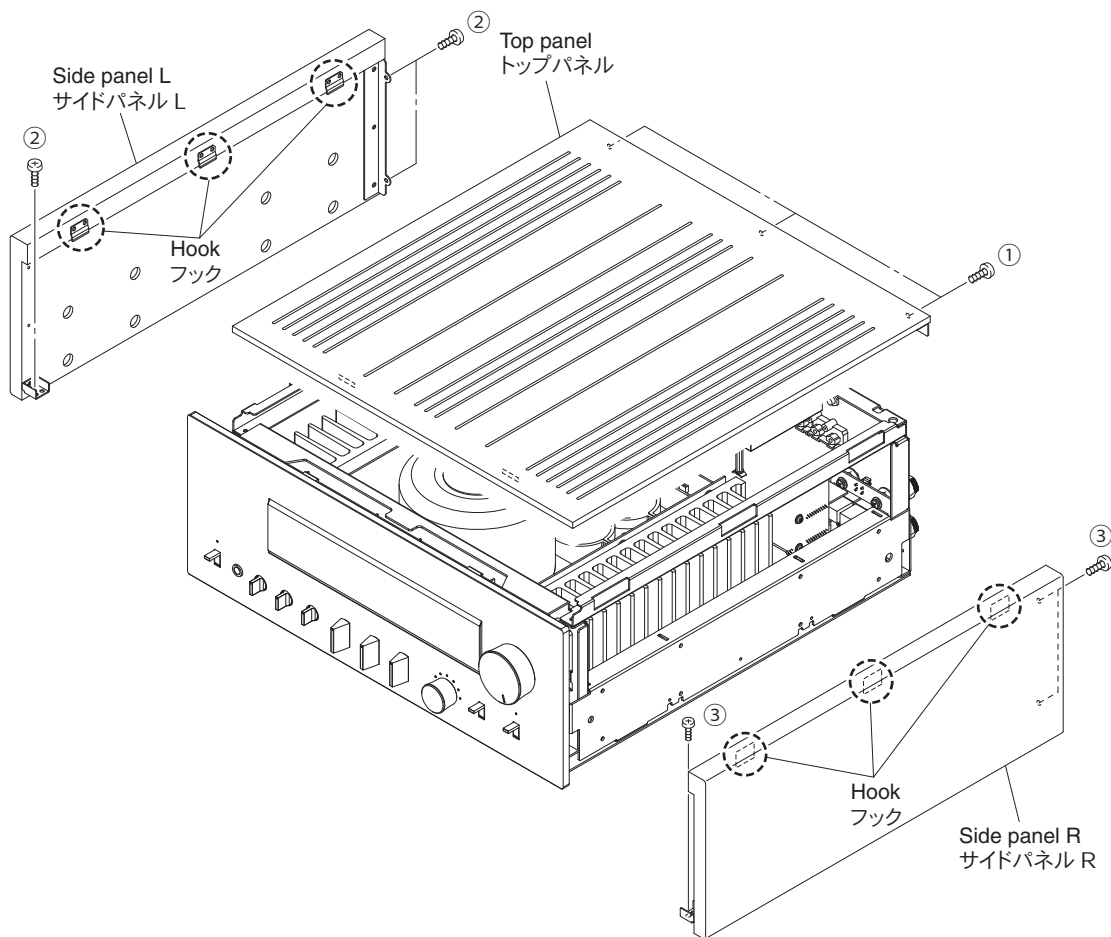


Fig. 1

3. Removal of Front Panel Unit

- Remove 5 screws (④). (Fig. 2)
- Remove CB401, CB403, CB405, CB406 and CB410. (Fig. 2)
- Remove the front panel unit. (Fig. 2)

3. フロントパネルユニットの外し方

- ④のネジ5本を外します。(Fig. 2)
- CB401、CB403、CB405、CB406、CB410を外します。(Fig. 2)
- フロントパネルユニットを外します。(Fig. 2)

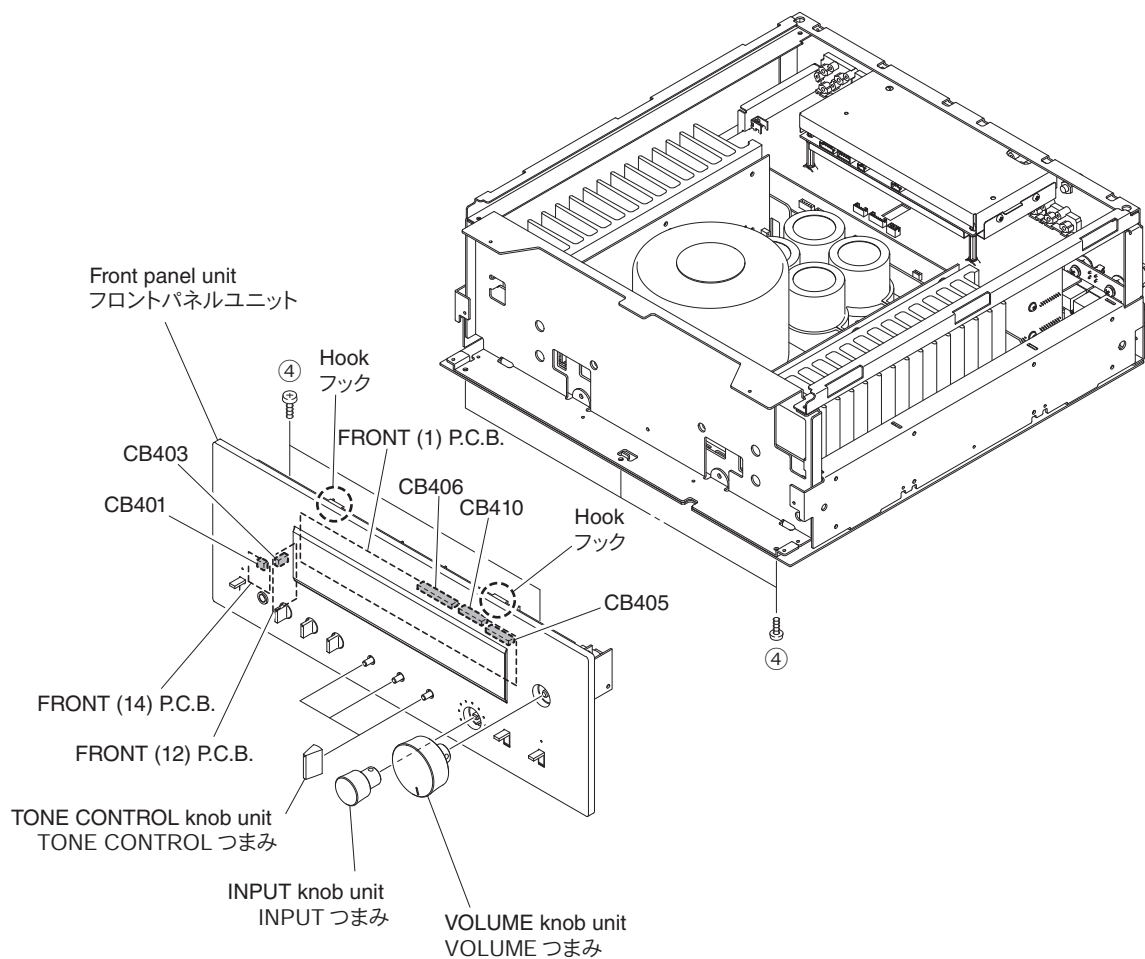


Fig. 2

● When installing the knob unit

- * Prepare a hexagonal screwdriver (2 mm) for installation of knob unit.

When installing the VOLUME knob unit:

- Turn the VOLUME (VR401) clockwise fully. (Fig. 3)
- Match the pointer in the VOLUME knob unit with the "VOLUME MAX." position and install it in that state. (Fig. 3)
 - * At this time, do not tighten the lock set screw.
- Keep about 0.5 mm to 0.75 mm clearance from the front panel to VOLUME knob unit. (Fig. 3)
- Tighten the lock set screw. (Fig. 3)
- Match the pointer in the VOLUME knob unit with the position about -180° from the "VOLUME MAX." position. (Fig. 3)
- Tighten the lock set screw. (Fig. 3)
- After installation, perform following checks.
 - Turn the VOLUME knob unit both directions to check that it does not rub against the front panel.
 - Turn the VOLUME knob unit clockwise fully and check that the pointer in it matches with the "VOLUME MAX." position.
 - Turn the VOLUME knob unit counterclockwise fully and check that the pointer in it matches with the "VOLUME MIN." position.

● つまみを取り付ける場合

- ※ つまみを取り付ける場合、6角ドライバー（2 mm）を準備します。

VOLUME つまみを取り付ける場合：

- VOLUME (VR401) を右いっぱいに戻します。(Fig. 3)
- VOLUME つまみの指標を "VOLUME MAX." の位置に合わせ、取り付けます。(Fig. 3)
 - ※ このとき、まだ止めネジは締めません。
- フロントパネルから VOLUME つまみまで 0.5 ~ 0.75mm 程度隙間をあけます。(Fig. 3)
- 止めネジを締めます。(Fig. 3)
- VOLUME つまみの指標を "VOLUME MAX." の位置から約 -180° の位置に合わせます。(Fig. 3)
- 止めネジを締めます。(Fig. 3)
- 取り付け後、次の動作を確認します。
 - VOLUME つまみを左右に回し、フロントパネルに擦っていないか？
 - VOLUME つまみを右いっぱいに戻し、VOLUME つまみの指標が "VOLUME MAX." の位置に合うか？
 - VOLUME つまみを左いっぱいに戻し、VOLUME つまみの指標が "VOLUME MIN." の位置に合うか？

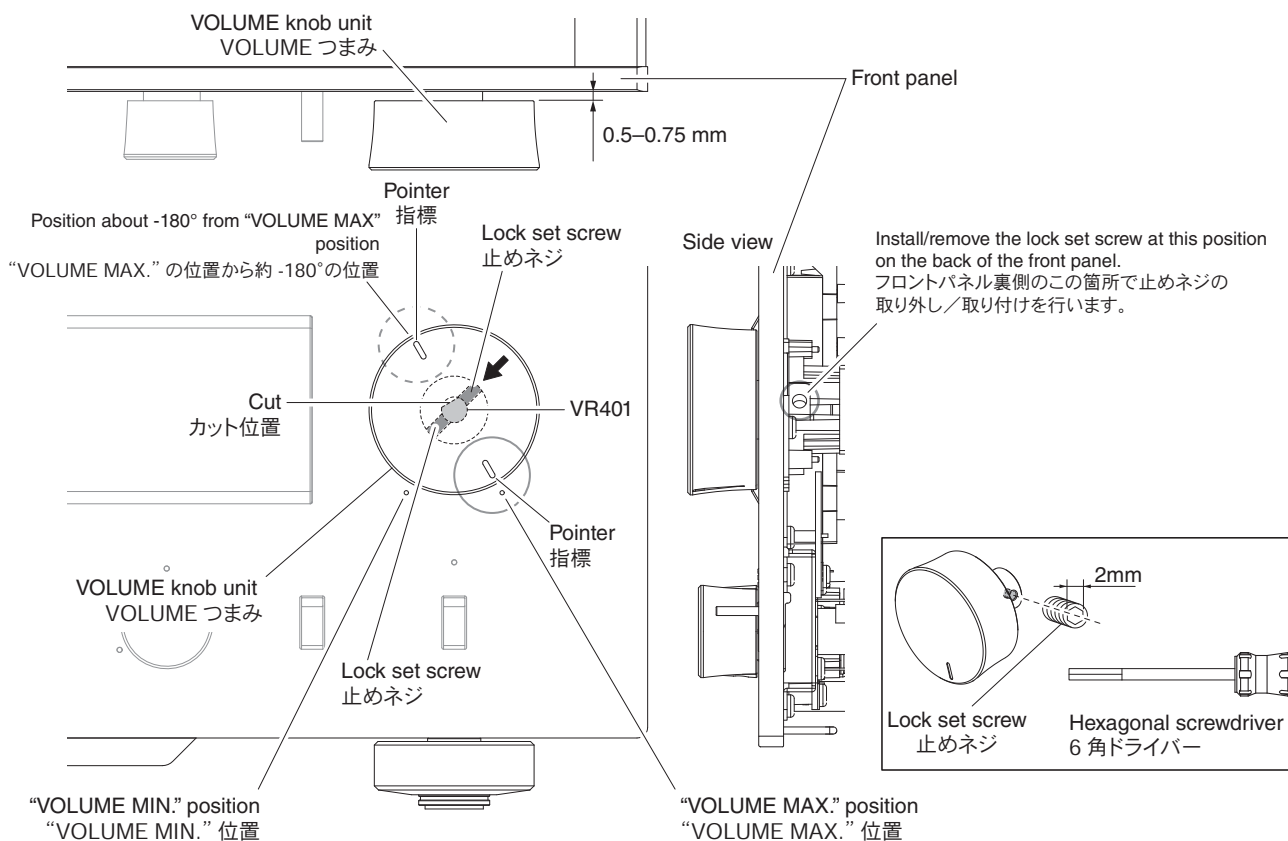


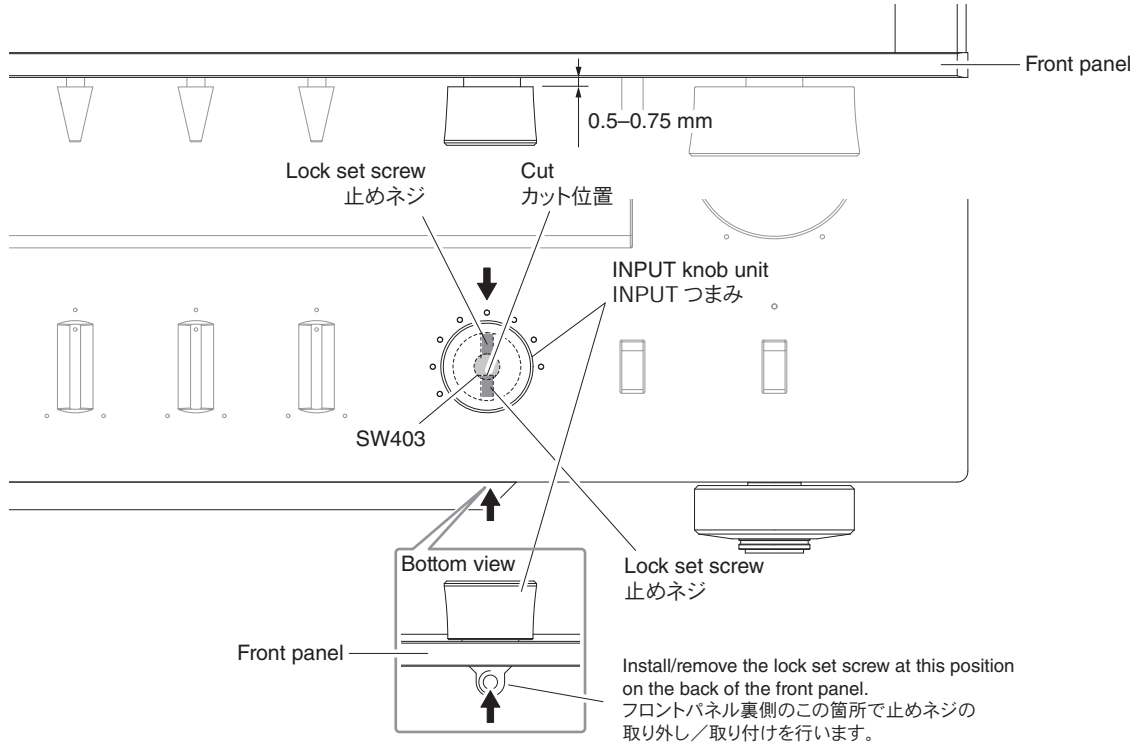
Fig. 3

When installing the INPUT knob unit:

- Turn the INPUT (SW403) so that the cut in it comes at the under. (Fig. 4)
- Install the INPUT knob unit with its lock set screw positioned at the under. (Fig. 4)
 - * At this time, do not tighten the lock set screw.
- Keep about 0.5 mm to 0.75 mm clearance from the front panel to INPUT knob unit. (Fig. 4)
- Match the lock set screw position with the cut in INPUT (SW403) and tighten the lock set screw. (Fig. 4)
- Turn the INPUT knob unit by 180 degrees (6 clicks) and tighten another lock set screw. (Fig. 4)
- After installation, perform following checks.
 - Turn the INPUT knob unit in both directions to check that it does not rub against the front panel.

INPUTつまみを取り付ける場合：

- INPUT (SW403) のカット位置が下になるよう回します。(Fig. 4)
- INPUTつまみの止めネジ位置を下にして取り付けます。(Fig. 4)
 - ※ このとき、止めネジは締めません。
- フロントパネルからINPUTつまみまで0.5～0.75mm程度隙間をあけます。(Fig. 4)
- INPUT (SW403) のカット位置に止めネジ位置を合わせ、止めネジを締めます。(Fig. 4)
- INPUTつまみを180°回転(6クリック)させ、もう1つの止めネジを締めます。(Fig. 4)
- 取り付け後、次の動作を確認します。
 - INPUTつまみを左右に回し、フロントパネルに擦っていないか？

**Fig. 4**

When installing the BASS, TREBLE and BALANCE knob units:

- * Use the same installation procedure for BASS, TREBLE and BALANCE knob units.
Described here is installation of BALANCE knob unit as an example.
- a. Turn the BALANCE (VR403) in both directions and set it to the center position. (Fig. 5)
 - * VR403 stops at the center position when it is turned in both directions.
- b. Match the pointer in the BALANCE knob unit with the center position of BALANCE and install it in that state. (Fig. 5)
 - * At this time, do not tighten the lock set screw.
- c. Keep about 0.5 mm to 0.75 mm clearance from the front panel to BALANCE knob unit. (Fig. 5)
- d. Tighten the lock set screw of the BALANCE knob unit. (Fig. 5)
- e. After installation, perform following checks.
 - Turn the BALANCE knob unit in both directions to check that it does not rub against the front panel.
 - Turn the BALANCE knob unit counterclockwise fully and check that the pointer in it matches with the "BALANCE L" position.
 - Turn the BALANCE knob unit clockwise fully and check that the pointer in it matches with the "BALANCE R" position.

BASS、TREBLE、BALANCE つまみを取り付ける場合：

- ※ BASS、TREBLE、BALANCE つまみの取り付け方法はすべて同じです。
例として BALANCE つまみの取り付け方法を記載します。
- a. BALANCE (VR403) を左右に回し、中央の位置に合わせます。(Fig. 5)
 - ※ 左右に回すと、中央の位置で一度止まります。
- b. BALANCE つまみの指標を BALANCE 中央の位置に合わせ、取り付けます。(Fig. 5)
 - ※ このとき、まだ止めネジは締めません。
- c. フロントパネルから BALANCE つまみまで 0.5 ～ 0.75mm 程度隙間をあけます。(Fig. 5)
- d. BALANCE つまみの止めネジを締めます。(Fig. 5)
- e. 取り付け後、次の動作を確認します。
 - BALANCE つまみを左右に回し、フロントパネルに擦っていないか？
 - BALANCE つまみを左いっぱい回し、BALANCE つまみの指標が "BALANCE L" の位置に合うか？
 - BALANCE つまみを右いっぱい回し、BALANCE つまみの指標が "BALANCE R" の位置に合うか？

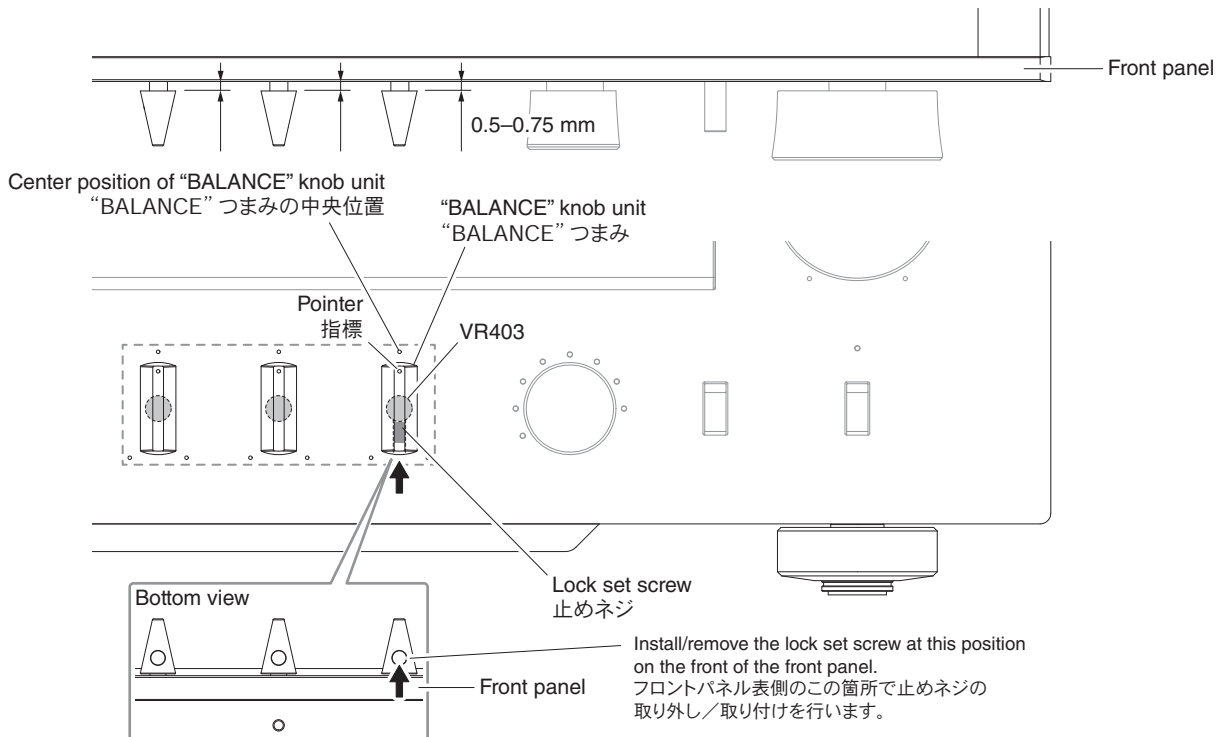


Fig. 5

4. Removal of Sub-chassis

- Remove 4 screws (⑤). (Fig. 6)
- Remove the support top L and support top R. (Fig. 6)
- Remove 4 screws (⑥). (Fig. 6)
- Remove the sub-chassis. (Fig. 6)

4. サブシャーシの外し方

- ⑤のネジ4本を外します。(Fig. 6)
- サポートトップLとサポートトップRを外します。(Fig. 6)
- ⑥のネジ4本を外します。(Fig. 6)
- サブシャーシを外します。(Fig. 6)

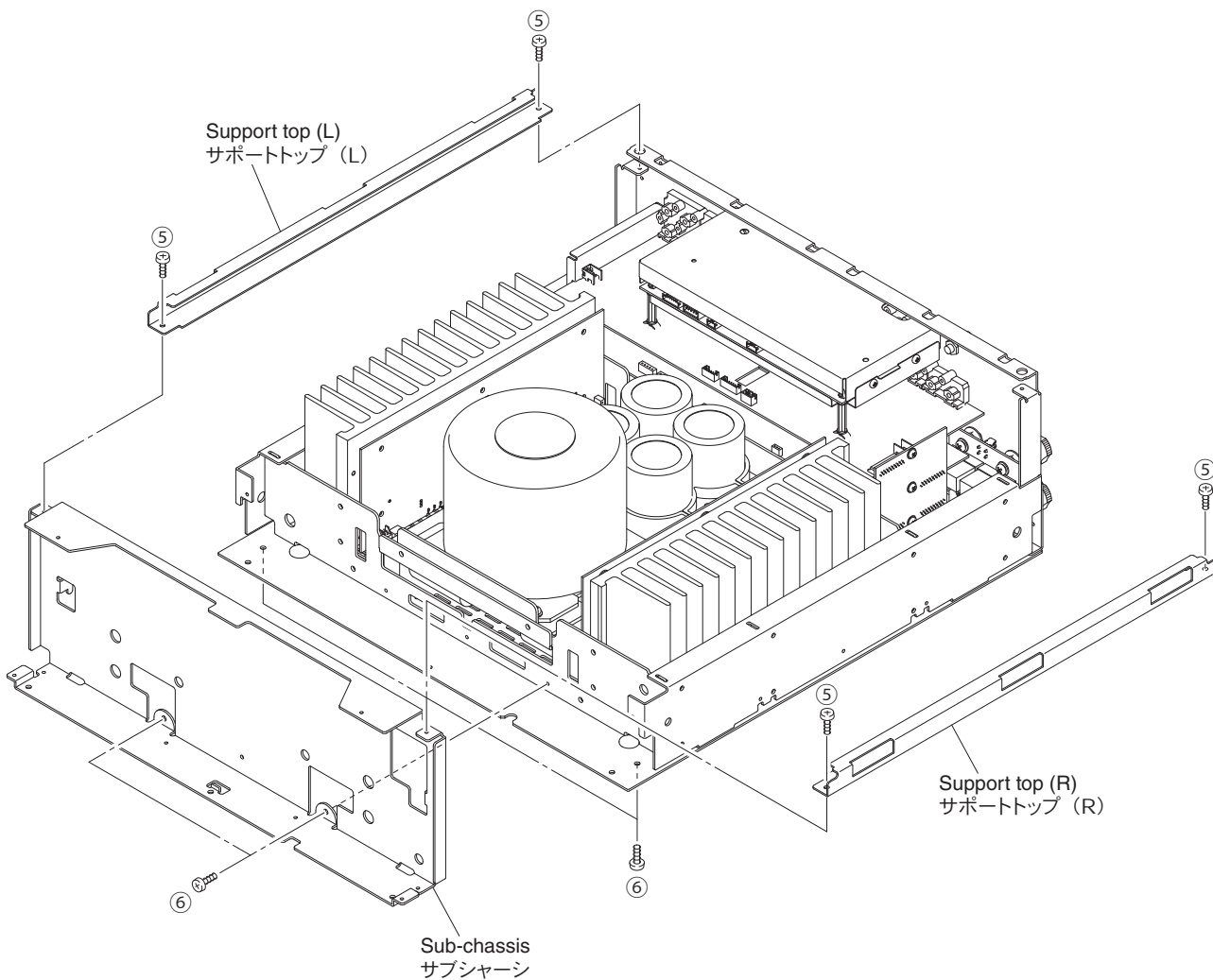


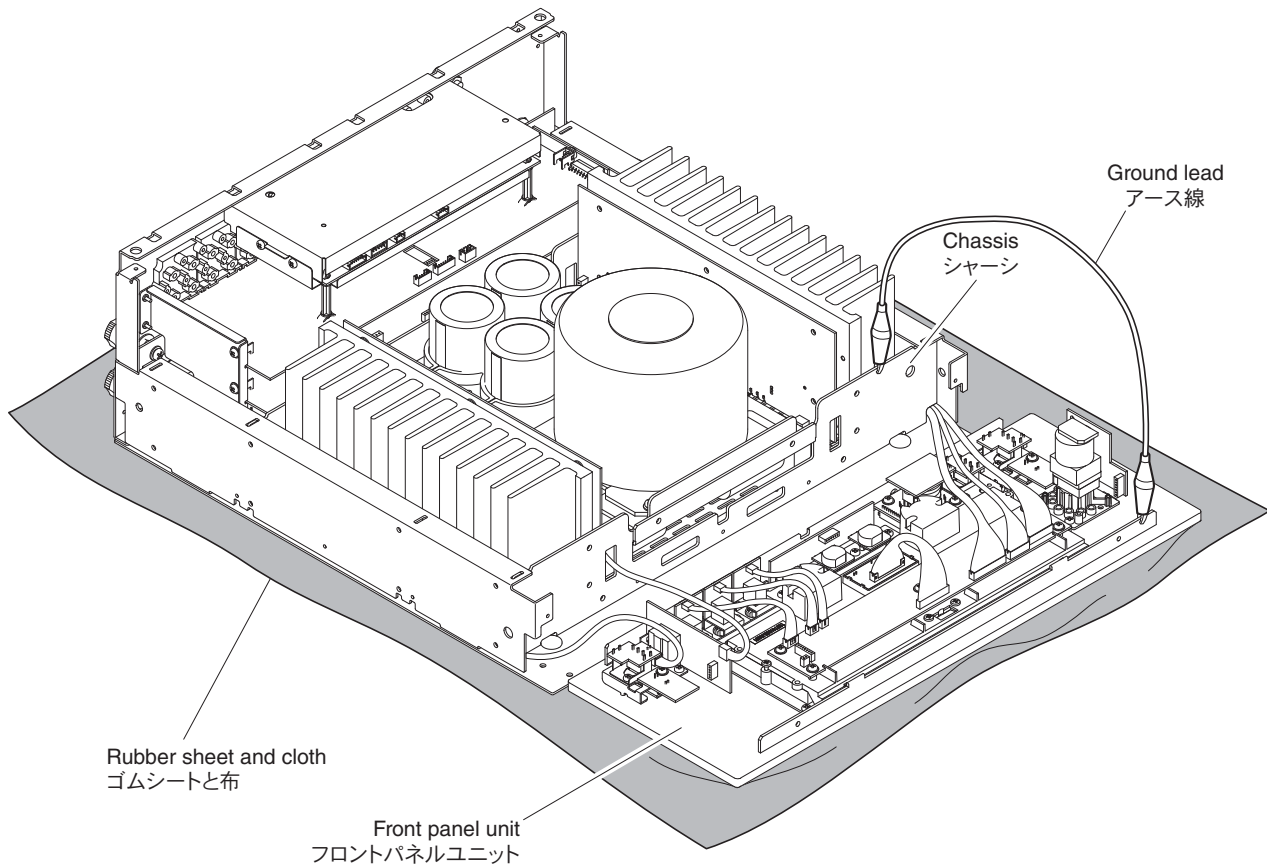
Fig. 6

When checking the P.C.B.:

- Put a rubber sheet and cloth under the equipment. Then place this unit on the cloth and check it. (Fig. 7)
- Connect the front panel unit to the chassis with a ground lead or the like. (Fig. 7)
- Reconnect all cables (connectors) that have been disconnected.
- When connecting the flexible flat cable, be careful with polarity.

P.C.B. をチェックをする場合には：

- ゴムシートと布を敷き、その上に本機を置いてチェックします。(Fig. 7)
- フロントパネルユニットをリード線等でシャーシに接続してください。(Fig. 7)
- 外したケーブル（コネクター）をすべて接続します。
- フラットケーブルを接続する際、極性に注意してください。

**Fig. 7**

5. Removal of Heatsink Unit L, Heatsink Unit R and Power Unit

- Remove 8 screws (⑦) and 16 screws (⑧). (Fig. 8)
- Remove 5 screws (⑨) and disconnect 5 cables. (Fig. 8)
- Remove 2 screws (⑩) and then remove 2 push rivets. (Fig. 8)
- Remove CB1, CB101, CB201, CB305, CB306, CB502 and CB505. (Fig. 8)
- Remove the heatsink unit L and heatsink unit R together with the power unit. (Fig. 8)

5. ヒートシンクユニットL、ヒートシンクユニットR、パワーユニットの外し方

- ⑦のネジ8本、⑧のネジ16本を外します。(Fig. 8)
- ⑨のネジ5本を外し、ケーブル5本を外します。(Fig. 8)
- ⑩のネジ2本とプッシュリベット2個を外します。(Fig. 8)
- CB1、CB101、CB201、CB305、CB306、CB502、CB505を外します。(Fig. 8)
- ヒートシンクユニットL、ヒートシンクユニットRとパワーユニットを一緒に外します。(Fig. 8)

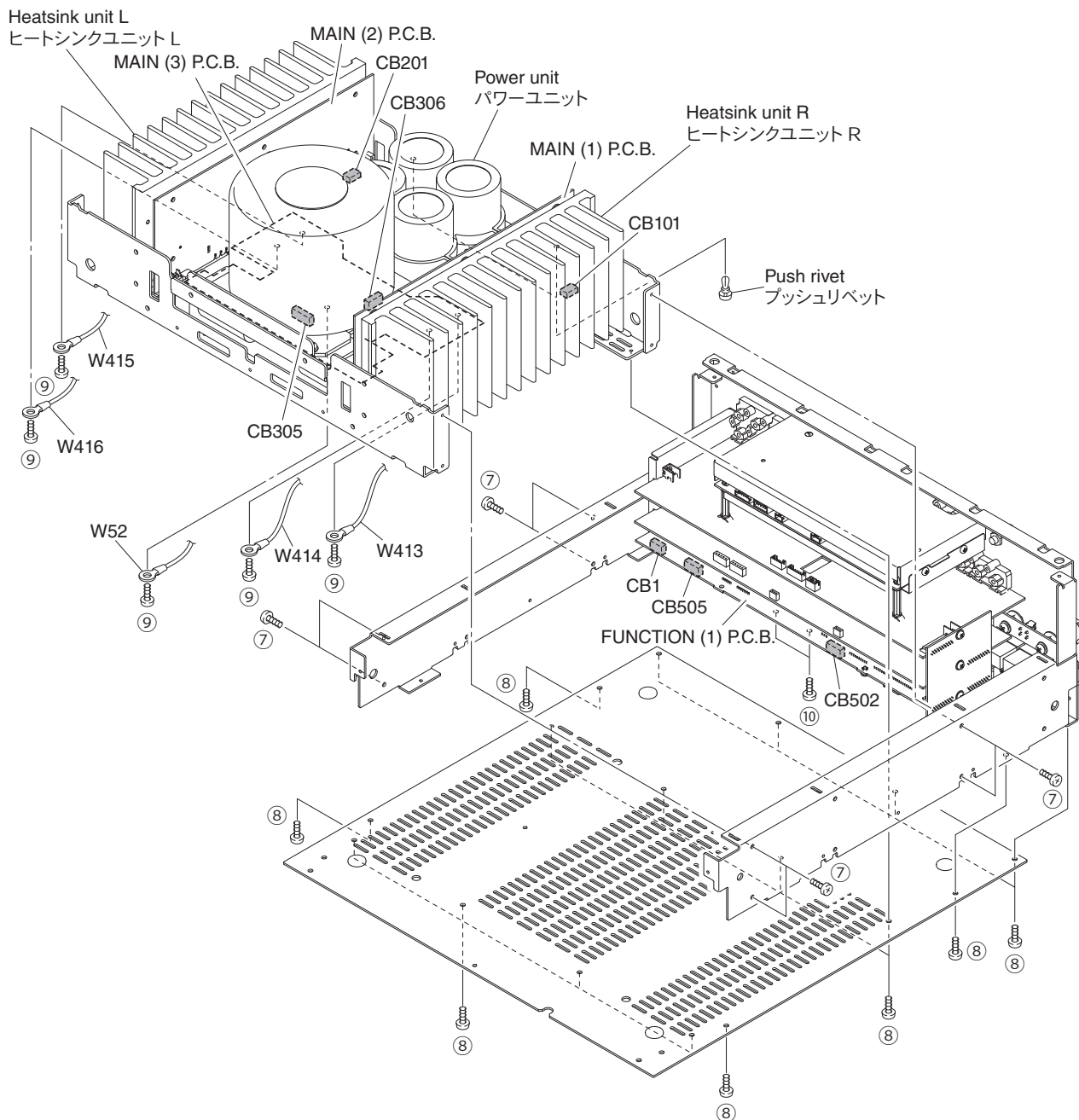


Fig. 8

- g. Remove 10 screws (⑪). (Fig. 9)
- h. Remove the front frame. (Fig. 9)
- i. Remove 10 screws (⑫). (Fig. 9)
- j. Remove the rear frame. (Fig. 9)
- k. Remove 4 screws (⑬). (Fig. 9)
- l. Remove CB205, CB206, CB304 and CB308. (Fig. 9)
- m. Remove the heatsink unit L together with the MAIN (2) P.C.B. (Fig. 9)
- n. Remove 4 screws (⑭). (Fig. 9)
- o. Remove CB303. (Fig. 9)
- p. Remove the heatsink unit R together with the MAIN (1) P.C.B. (Fig. 9)

- g. ⑪のネジ10本を外します。(Fig. 9)
- h. フロントフレームを外します。(Fig. 9)
- i. ⑫のネジ10本を外します。(Fig. 9)
- j. リアフレームを外します。(Fig. 9)
- k. ⑬のネジ4本を外します。(Fig. 9)
- l. CB205、CB206、CB304、CB308を外します。(Fig. 9)
- m. ヒートシンクユニットLとMAIN (2) P.C.B.を一緒に外します。(Fig. 9)
- n. ⑭のネジ4本を外します。(Fig. 9)
- o. CB303を外します。(Fig. 9)
- p. ヒートシンクユニットRとMAIN (1) P.C.B.を一緒に外します。(Fig. 9)

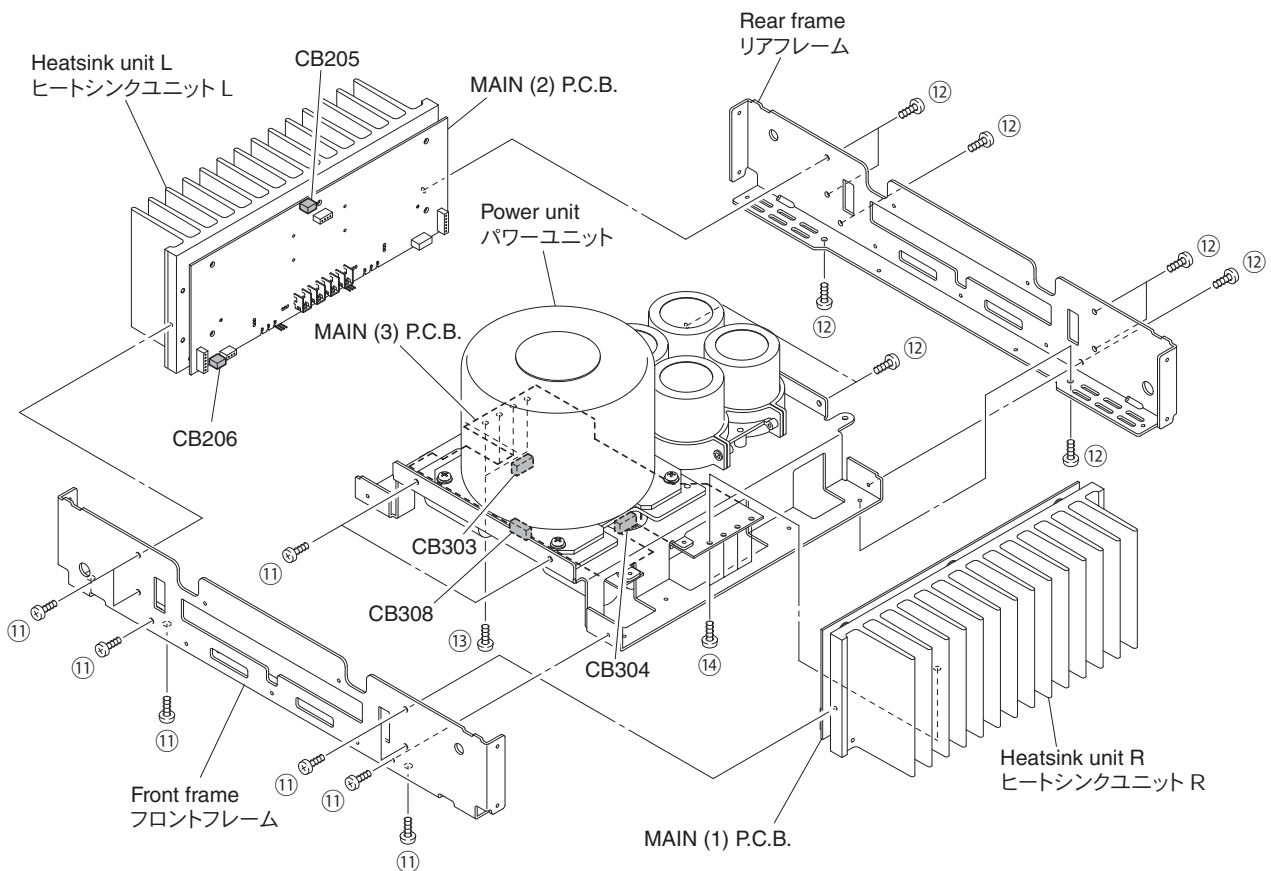


Fig. 9

When checking the P.C.B.:

- Put the rubber sheet and cloth over this unit. Then place the P.C.B. slantingly on the cloth and check it. (Fig. 10)
- Connect the front panel unit, heatsink unit L and heatsink unit R to the chassis with a ground lead or the like. (Fig. 10)
- Reconnect all cables (connectors) that have been disconnected.
- When connecting the flexible flat cable, be careful with polarity.
- It is also possible to check the power unit, heatsink unit L and heatsink unit R from the bottom. (Fig. 11)

P.C.B. をチェックをする場合には：

- 本機の上にゴムシートと布を敷き、その上に P.C.B. を斜めに置いてチェックします。(Fig. 10)
- フロントパネルユニットとヒートシンクユニット L、ヒートシンクユニット R をリード線等でシャーシに接続してください。(Fig. 10)
- 外したケーブル (コネクター) をすべて接続します。
- フラットケーブルを接続する際、極性に注意してください。
- パワーユニット、ヒートシンクユニット L、ヒートシンクユニット R は底面からチェックすることもできます。(Fig. 11)

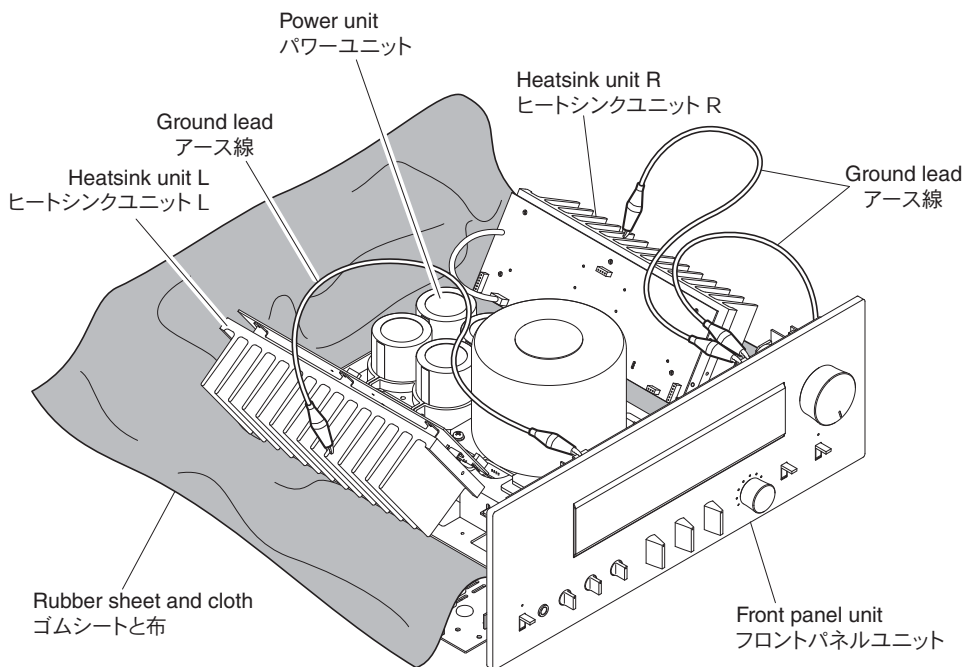


Fig. 10

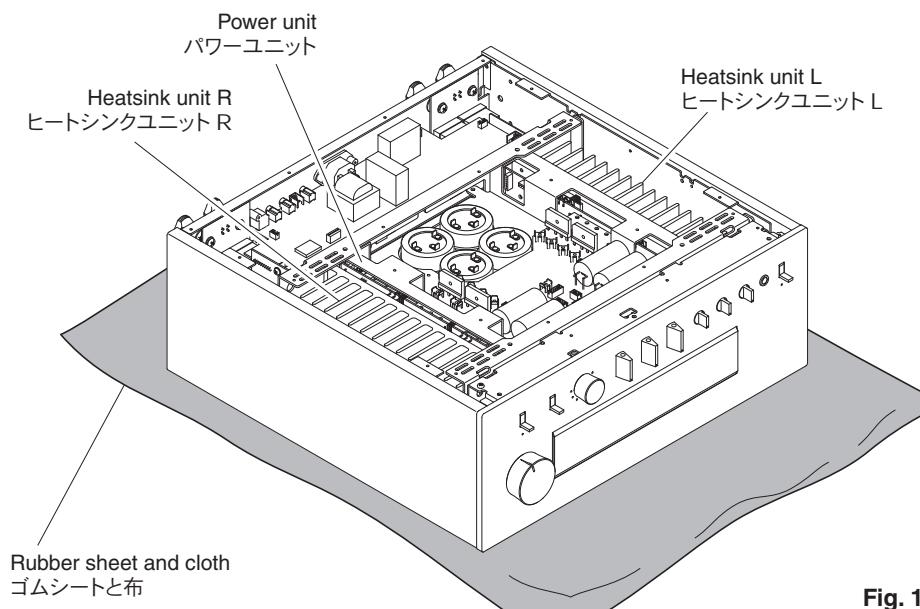


Fig. 11

6. Removal of INPUT (2) P.C.B.

- Remove 2 screws (15). (Fig. 12)
- Remove 4 screws (16). (Fig. 13)
- Remove CB801, CB802 and CB803. (Fig. 13)
- Remove the shield case together with the INPUT (2) P.C.B. (Fig. 13)

7. Removal of INPUT (1) P.C.B.

- Remove 7 screws (17) and 8 screws (18). (Fig. 12)
- Remove 3 screws (19) and then remove the P.C.B. support. (Fig. 13)
- Remove screw (20) and disconnect cable. (Fig. 13)
- Remove 3 screws (21). (Fig. 13)
- Remove CB902, CB903 and CB905. (Fig. 13)
- Remove the INPUT (1) P.C.B. which is connected directly to the INPUT (3) P.C.B. with board-to-board connectors. (Fig. 13)

8. Removal of FUNCTION (1) and (2) P.C.B.

- Remove 7 screws (17) and 8 screws (18). (Fig. 12)
- Remove CB501 and CB506. (Fig. 13)
- Remove the FUNCTION (1) and (2) P.C.B.s which is connected directly to the INPUT (3) P.C.B. with board-to-board connectors. (Fig. 13)

6. INPUT (2) P.C.B.の外し方

- 15のネジ2本を外します。(Fig. 12)
- 16のネジ4本を外します。(Fig. 13)
- CB801、CB802、CB803を外します。(Fig. 13)
- シールドケースと一緒にINPUT (2) P.C.B.を外します。(Fig. 13)

7. INPUT (1) P.C.B.の外し方

- 17のネジ7本、18のネジ8本を外します。(Fig. 12)
- 19のネジ3本を外し、P.C.B. サポートを外します。(Fig. 13)
- 20のネジ1本を外し、ケーブル1本を外します。(Fig. 13)
- 21のネジ3本を外します。(Fig. 13)
- CB902、CB903、CB905を外します。(Fig. 13)
- INPUT (1) P.C.B.を外します。(Fig. 13)
ただし、INPUT (1) P.C.B.はINPUT (3) P.C.B.に基板対基板コネクタで直接接続されています。(Fig. 13)

8. FUNCTION (1)、(2) P.C.B.の外し方

- 22のネジ3本、23のネジ5本を外します。(Fig. 12)
- CB501、CB506を外します。(Fig. 13)
- FUNCTION (1)、(2) P.C.B.を外します。(Fig. 13)
ただし、FUNCTION (1)と(2) P.C.B.はINPUT (3) P.C.B.に基板対基板コネクタで直接接続されています。(Fig. 13)

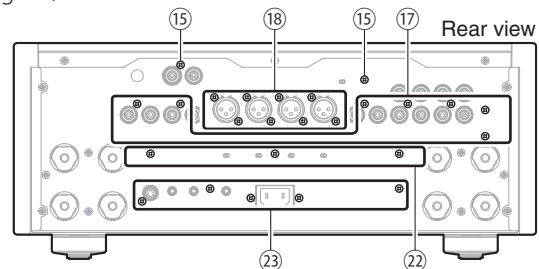


Fig. 12

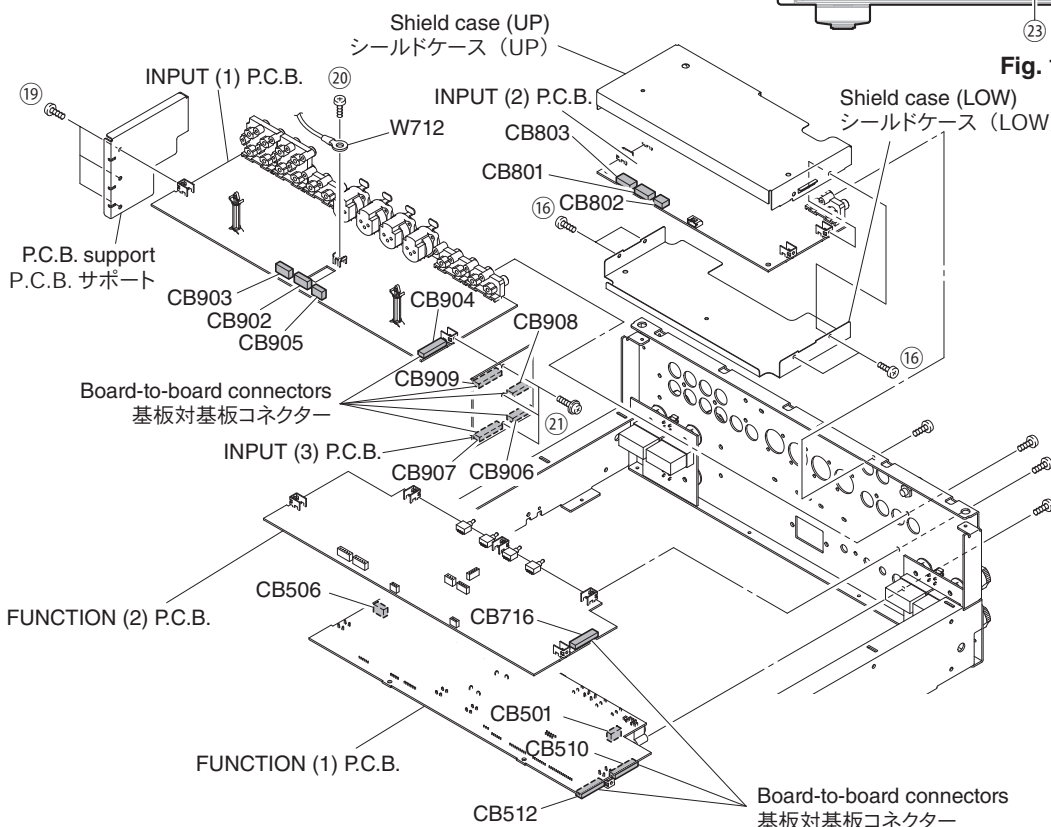


Fig. 13

■ UPDATING FIRMWARE / ファームウェアのアップデート

When the following parts are replaced, the firmware must be updated to the latest version.

FUNCTION P.C.B.

Main microprocessor: IC502 on FUNCTION (1) P.C.B.

下記の部品を交換した場合、ファームウェアを最新バージョンにアップデートする必要があります。

FUNCTION P.C.B.

メインマイコン：FUNCTION (1) P.C.B. の IC502

● Confirmation of firmware version

Before and after updating the firmware, check the firmware version by using the self-diagnostic function menu.

Start up the self-diagnostic function and select "Indication of Firmware Version" menu.

The firmware version displayed, and note them down. (For details, refer to "SELF-DIAGNOSTIC FUNCTION")

- * When the firmware version is different from written one after updating, perform the updating procedure again from the beginning.

● ファームウェアのバージョンの確認

ファームウェアのアップデートの前後に、ファームウェアのバージョンをダイアグで確認します。

ダイアグを起動し、“ファームウェアバージョンの表示”メニューを選択します。

ファームウェアを表示し、それらを書きとめます。(詳細は“ダイアグ”を参照してください。)

- ※ アップデート後、ファームウェアのバージョンが書き込まれたものと異なる場合、アップデートの操作を最初からやり直してください。

● Required tools

- Firmware downloader program
..... FlashSta.exe
- Firmware AS3000_xxxx.mot
AS3000_xxxx.id
- RS-232C cross cable "D-sub 9 pin female"
(Specifications)

Pin No.2 RxD	—————	Pin No.2 RxD
Pin No.3 TxD	—————	Pin No.3 TxD
Pin No.5 GND	—————	Pin No.5 GND
Pin No.7 RTS	—————	Pin No.7 RTS
Pin No.8 CTS	—————	Pin No.8 CTS
- RS-232C conversion adaptor
(version 4.0, Part No.: WZ064500)

● 必要なツール

- ファームウェア書き込み用プログラム
..... FlashSta.exe
- ファームウェア AS3000_xxxx.mot
AS3000_xxxx.id
- RS-232C クロスケーブル "D-sub 9pin メス"
(仕様)

Pin No.2 RxD	—————	Pin No.2 RxD
Pin No.3 TxD	—————	Pin No.3 TxD
Pin No.5 GND	—————	Pin No.5 GND
Pin No.7 RTS	—————	Pin No.7 RTS
Pin No.8 CTS	—————	Pin No.8 CTS
- RS-232C 変換アダプター
(バージョン 4.0、部品番号：WZ064500)

● Preparation and precautions

- Download the firmware downloader program and the latest firmware from the specified download source to the same folder of the PC.
- Prepare the above specified RS-232C cross cable.
- While writing the firmware, keep the other application software on the PC closed.
It is also recommended to keep the software on the task tray closed as well.

● 準備と注意

- 指定のダウンロード先から、ファームウェア書き込み用プログラムと最新のファームウェアを、PCの同じフォルダにダウンロードしてください。
- RS-232C クロスケーブルは必ず上記仕様のもを用意してください。
- 書き込み時は、PC上の他のアプリケーションソフトは閉じてください。
さらに、タスクトレイ上にあるソフトも閉じておくことを推奨します。

● **Connection**

- * Disconnect the power cable of this unit from the AC outlet.
- Set the switches on RS-232C conversion adaptor as shown below. (Fig. 1)

● **接続**

- ※ 本機の電源コードを AC コンセントから抜きます。
- RS-232C 変換アダプターのスイッチを下記のように設定します。(Fig. 1)

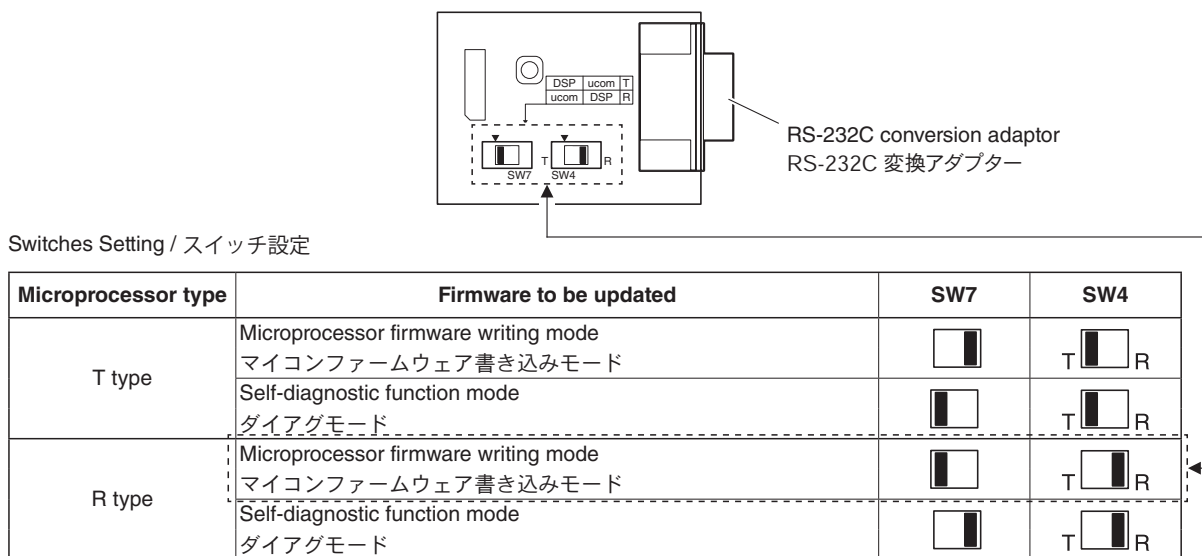


Fig. 1

- Connect the serial port (RS-232C) of the PC to the writing port (CB511 on FUNCTION (1) P.C.B.) of this unit as shown below. (Fig. 2)
- 本機の書き込み用ポート (FUNCTION (1) P.C.B. の CB511) と PC のシリアルポート (RS-232C) を下記のように接続します。(Fig. 2)

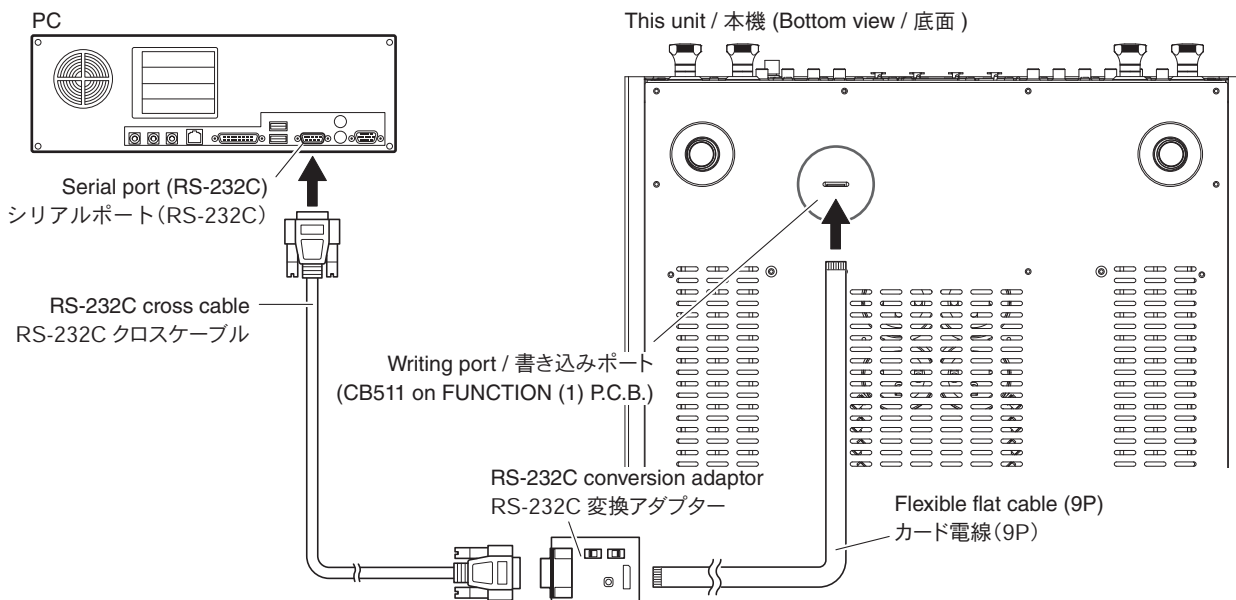


Fig. 2

● Operation procedures

1. Set the "STANDBY/ON / OFF" (Power) (U, K, A, B, G, L, V models) / "⏻" (Power) (T model) switch to the "ON" position.
2. Connect the power cable of this unit to the AC outlet.
The power to this unit is supplied and the microprocessor is in the writing mode.
3. Start up FlashSta.exe.
The screen appears as shown below. (Fig. 3)
4. Select the data to be transmitted and port. (Fig. 3)

● Select Program

Select Internal flash memory.

● RS232C

Select the port of RS-232C.

- * For selection of the port, COM1 to 4 can be used.
As COM5 or higher port cannot be used, select out of COM 1 to 4 of the setting on the PC side.

● 操作方法

1. "STANDBY/ON / OFF" (電源) スイッチを "ON" にします。
2. 本機の電源コードを AC コンセントに接続します。本機に電源が入り、マイコンが書き込みモードになります。
3. FlashSta.exe を起動します。
下記の画面が表示されます。(Fig. 3)
4. 送信データ、ポートを選択します。(Fig. 3)

● Select Program

Internal flash memory を選択します。

● RS232C

接続している RS-232C ポートを選択します。

※ ポートの選択は COM1 ～ 4 までが使用できます。

COM5 以上は使用できませんので、PC 側の設定で COM1 ～ 4 を選択してください。



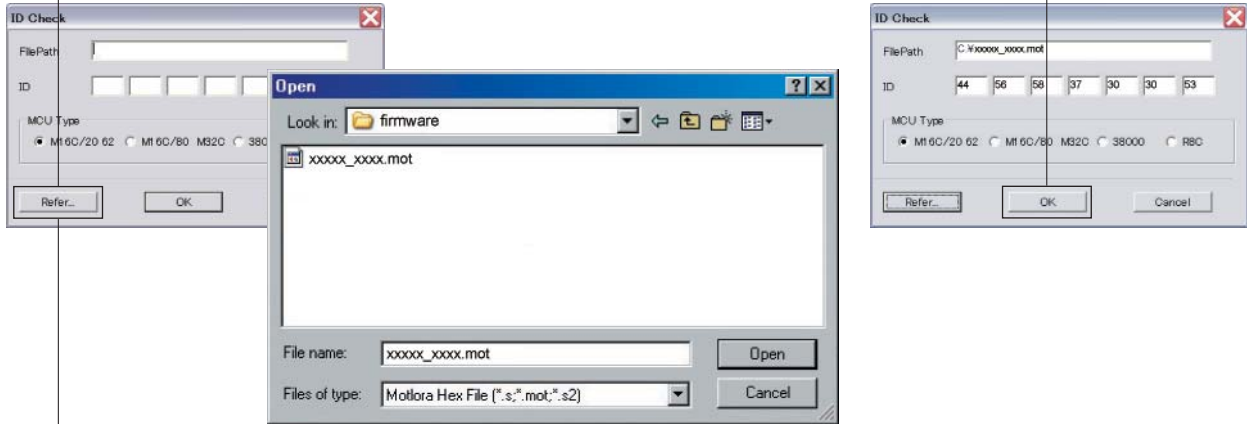
Fig. 3

5. Click [Refer...] and select the firmware name. (Fig. 4)

5. [Refer...] をクリックし、書き込むファームウェアを選択します。(Fig. 4)

* The ID and MCU Type are loaded automatically when the file is selected. (Fig. 4)
Click [OK]. (Fig. 4)

* ID、および MCU Type は書き込みファイル選択後、自動的に取り込まれます。(Fig. 4)
[OK] をクリックします。(Fig. 4)



When [Refer...] is clicked, the "Open" screen appears
[Refer...] をクリックすると「ファイルを開く」が表示されます

Fig. 4

6. Click [Setting], and set the baud rate. (Fig. 5)

6. [Setting] をクリックし、通信速度の設定を行います。(Fig. 5)

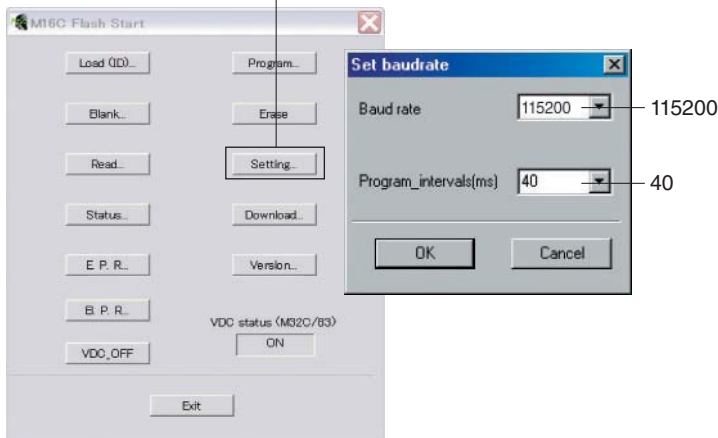


Fig. 5

7. Click [E.P.R.], then the "Erase" screen appears. (Fig. 6)

7. [E.P.R.] をクリックすると、「Erase」が表示されま
す。(Fig. 6)

8. Click [OK] to start writing. (Fig. 6)

8. [OK] をクリックして書き込みを開始します。

(Fig. 6)

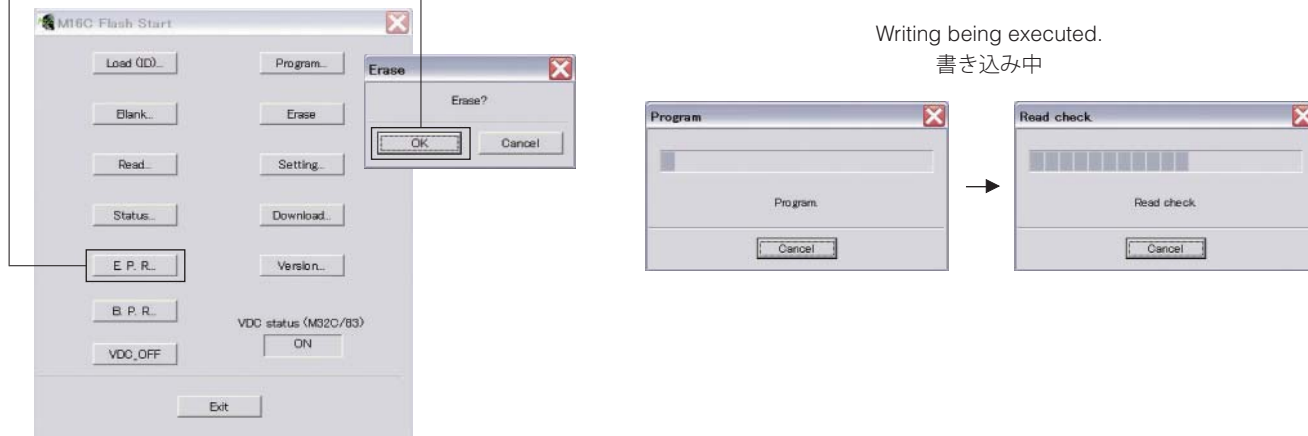


Fig. 6

9. When writing of the firmware is completed, the screen appears as shown below. (Fig. 7)
Click [OK]. (Fig. 7)

9. ファームウェアの書き込みが完了すると、以下の
画面が表示されます。(Fig. 7)
[OK] をクリックします。(Fig. 7)

10. Click [Exit] to end FlashSta.exe. (Fig. 7)

10. [Exit] をクリックして FlashSta.exe を終了します。
(Fig. 7)

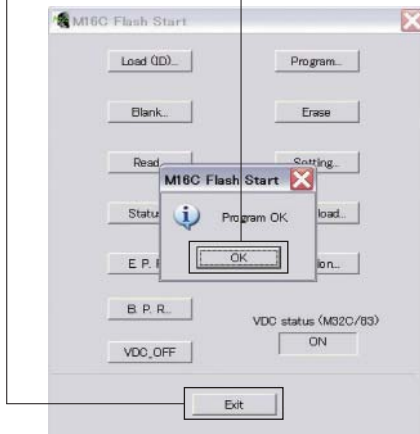


Fig. 7

11. Disconnect the power cable of this unit from the AC outlet.
12. Remove the RS-232C conversion adaptor and flexible flat cable from the writing port (CB511 on FUNCTION (1) P.C.B.) of this unit.
13. Connect the power cable of this unit to the AC outlet, start up the self-diagnostic function and check that the firmware version is the same as written one. (For details, refer to "Confirmation of firmware version")

11. 本機の電源コードを AC コンセントから抜きます。
12. 本機の書き込み用ポート (FUNCTION (1) P.C.B. の CB511) から RS-232C 変換アダプターとカード電線を取り外します。
13. 本機の電源コードを AC コンセントに接続してダイアグを起動し、ファームウェアバージョンが書き込まれたものと同じであることをチェックします。(詳細は「ファームウェアのバージョンの確認」を参照してください。)

● Details of Protection Information

PS PROTECTION

Power supply voltage (PS) protection detection

Cause: The voltage in the power supply section is abnormal

Detection port: 85 pin of IC502 (PRV)

Detected at: CB1, CB301 and CB302
(Power transformer)
+18V, +12C (FUNCTION P.C.B.)
MC ±20V, MM ±25V, LINE1 ±25V, LINE2
±25V, VOL1 ±12V and VOL2 ±12V
(FRONT P.C.B.)

Normal value: 0.8 to 1.6 V

AMP PROTECTION

PS amplifier protection 1, 2 detection

Cause: Abnormal voltage of amplifier power source

Detection port: 5 pin of IC502 (PSVA1)
3 pin of IC502 (PSVA2)

Detected at: PSVA1: CB24 and CB26
(power transformer)
PSVA2: ±B1, ±B2, ±B3 and ±B4
(MAIN P.C.B.)

Normal value: LOW (0 V)

DC PROTECTION

Power amplifier DC (DC voltage) protection L/Rch detection

Cause: Abnormal DC voltage of amplifier output L/R

Detection port: 65 pin of IC502 (PRDL)
66 pin of IC502 (PRDR)

Detected at: PRDL: Amplifier output Lch
(MAIN P.C.B.)
PRDR: Amplifier output Rch
(MAIN P.C.B.)

Normal value: 0.33 to 1.03 V

HP DC PROTECTION

Headphone DC (DC voltage) protection L/Rch detection

Cause: Abnormal DC voltage of headphone output L/R

Detection port: 71 pin of IC502 (HPPRDL)
72 pin of IC502 (HPPRDR)

Detected at: HPPRDL: Headphone amplifier output Lch
(MAIN P.C.B.)
HPPRDR: Headphone amplifier output Rch
(MAIN P.C.B.)

Normal value: 0.23 to 0.64 V

● プロテクション情報の詳細

PS プロテクション

電源電圧 (PS) プロテクションの検出

原因: 電源部の電圧が異常

検出ポート: IC502 の 85 ピン (PRV)

検出先: CB1、CB301、CB302 (電源トランス)
+18V、+12C (FUNCTION P.C.B.)
MC ± 20V、MM ± 25V、LINE1 ± 25V、LINE2
± 25V、VOL1 ± 12V、VOL2 ± 12V
(FRONT P.C.B.)

正常値: 0.8 ~ 1.6 V

AMP プロテクション

アンプ電源プロテクション 1、2 の検出

原因: アンプ部電源の電圧が異常

検出ポート: IC502 の 5 ピン (PSVA1)
IC502 の 3 ピン (PSVA2)

検出先: PSVA1: CB24、CB26 (電源トランス)
PSVA2: ± B1、± B2、± B3、± B4
(MAIN P.C.B.)

正常値: LOW (0 V)

DC プロテクション

アンプ DC (直流電圧) プロテクション L/Rch の検出

原因: アンプ出力 L/R の DC 電圧が異常

検出ポート: IC502 の 65 ピン (PRDL)
IC502 の 66 ピン (PRDR)

検出先: PRDL: アンプ出力 Lch (MAIN P.C.B.)
PRDR: アンプ出力 Rch (MAIN P.C.B.)

正常値: 0.33 ~ 1.03 V

HP DC プロテクション

ヘッドフォン DC (直流電圧) プロテクション L/Rch の検出

原因: ヘッドフォン出力 L/R の DC 電圧が異常

検出ポート: IC502 の 71 ピン (HPPRDL)
IC502 の 72 ピン (HPPRDR)

検出先: HPPRDL: ヘッドフォンアンプ出力 Lch
(MAIN P.C.B.)
HPPRDR: ヘッドフォンアンプ出力 Rch
(MAIN P.C.B.)

正常値: 0.23 ~ 0.64 V

I PROTECTION

I protection L/Rch detection

Cause: Excess current flow into amplifier

Detection port: 73 pin of IC502 (PRI_L)
74 pin of IC502 (PRI_R)Detected at: PRI_L: Amplifier output Lch (MAIN P.C.B.)
PRI_R: Amplifier output Rch (MAIN P.C.B.)

Normal value: LOW (0 V)

THM PROTECTION

Heatsink temperature (THM) protection L/Rch detection

Cause: Abnormal temperature of heatsink

Detection port: 69 pin of IC502 (PRTHL)
70 pin of IC502 (PRTHR)Detected at: PRTHL: Heatsink temperature detection
Lch IC202 (MAIN P.C.B.)
PRTHR: Heatsink temperature detection
Rch IC202 (MAIN P.C.B.)

Normal value: 0.2 to 1.5 V

I プロテクション

過電流プロテクション L/Rch の検出

原因: アンプ部に過電流が流れた

検出ポート: IC502 の 73 ピン (PRI_L)
IC502 の 74 ピン (PRI_R)検出先: PRI_L: アンプ出力 Lch (MAIN P.C.B.)
PRI_R: アンプ出力 Rch (MAIN P.C.B.)

正常値: LOW (0 V)

THM プロテクション

ヒートシンク温度 (THM) プロテクション L/Rch の検出

原因: ヒートシンクの温度が異常

検出ポート: IC502 の 69 ピン (PRTHL)
IC502 の 70 ピン (PRTHR)検出先: PRTHL: ヒートシンク温度検出 Lch IC202
(MAIN P.C.B.)
PRTHR: ヒートシンク温度検出 Rch IC102
(MAIN P.C.B.)

正常値: 0.2 ~ 1.5 V

● Starting Self-Diagnostic Function in the Protection Cancel Mode

If the protection function works and causes hindrance to troubleshooting, cancel the protection function by the procedure below, and it will be possible to enter the self-diagnostic function mode.

● Operation procedures

Turn the BALANCE knob unit counterclockwise fully and then while pressing down the AUDIO MUTE switch, set the STANDBY/ON / OFF (U, K, A, B, G, L, V models) / "⏻" (T model) switch to the ON position and keep pressing down the AUDIO MUTE switch for 3 seconds or longer.

The STANDBY/ON indicator lights up and the power supply relay (RY1 and RY2 on FUNCTION (1) P.C.B.) turns on.

● プロテクション解除モードでの起動

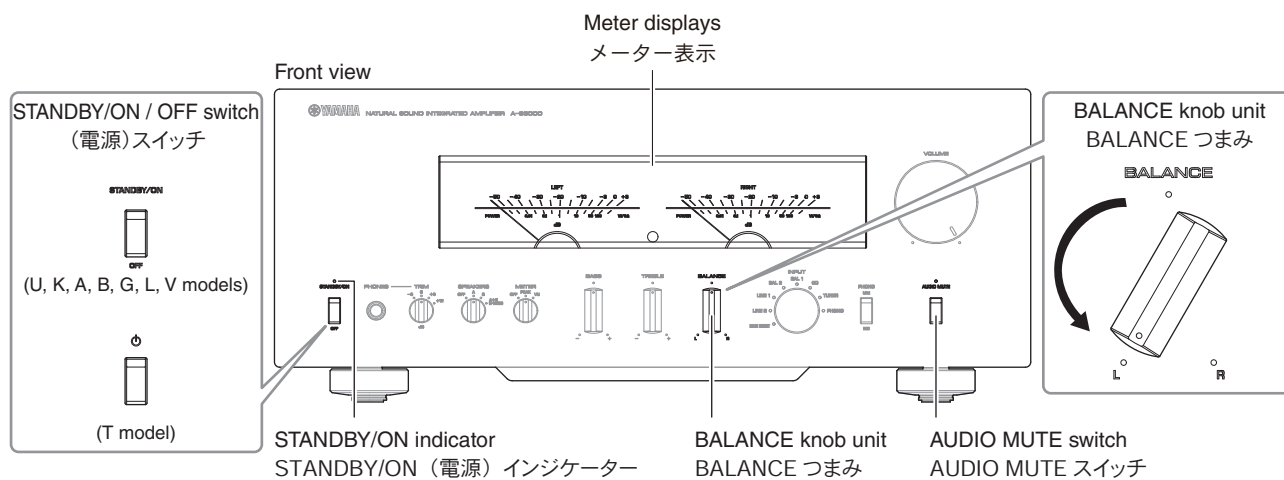
プロテクションが動作することにより、故障箇所の診断に支障をきたすような場合は、次の方法によりプロテクションを解除した状態でダイアグモードに入ることができます。

● 操作方法

BALANCE つまみを左いっぱいに戻し、AUDIO MUTE スイッチを押し下げながら STANDBY/ON / OFF (電源) スイッチを ON にし、AUDIO MUTE スイッチを 3 秒以上押し下げ続けます。

STANDBY/ON (電源) インジケータが点灯し、電源リレー (FUNCTION (1) P.C.B. の RY1、RY2) がオンします。

Keys of this unit / 本機キー



CAUTION!

Using this unit with the protection function disabled may cause further damage to this unit. Use special care for this point when using this mode.

When the protection function works due to an I protection L/Rch, it is not possible to start this unit with the protection function cancelled.

注意!

プロテクションを解除した状態でのダイアグモードは、危険な状態でもプロテクションが作動しないため、動作させると、本機を破壊することがあります。このモードを使用する場合は十分注意してください。

過電流プロテクション L/Rch でプロテクションが動作した場合は、プロテクションを解除した状態で起動することができません。

■ AMPLIFIER ADJUSTMENT / アンプ調整

● Idling Current Adjustment

Condition

- No input signal
- Non loaded condition
- Room temperature 22 to 27 °C
- No air flow
- Start adjustment 3 minutes or more after the power is turned on

Adjustment

1. Turn all the semi-fixed variable resistors for idling current adjustment counterclockwise fully.
2. Turn on the power to this unit.
3. 3 minutes after the power is turned on, adjust VR201 (Lch) /VR101 (Rch) so that the DC voltage of CB205 (Lch) and CB103 (Rch) becomes 7.0 to 6.0 mV.
4. 3 minutes after the above adjustment, adjust VR202 (Lch) /VR102 (Rch) so that the DC voltage of CB205 (Lch) and CB103 (Rch) becomes 8.5 to 9.5 mV.
5. 3 more minutes later, adjust VR202 (Lch) /VR102 (Rch) again so that the DC voltage of CB205 (Lch) and CB103 (Rch) becomes 8.5 to 9.5 mV.
6. 5 minutes later, check that the idling voltage of CB205 (Lch) / CB103 (Rch) is 7.0 to 11.0 mV.

* If the idling voltage is out of the 7.0 to 11.0 mV range, repeat above Steps 5 and 6.

If the voltage is still out of the specified range even after repeating Steps 5 and 6 twice, correct the unit.

● アイドリング電流調整

条件

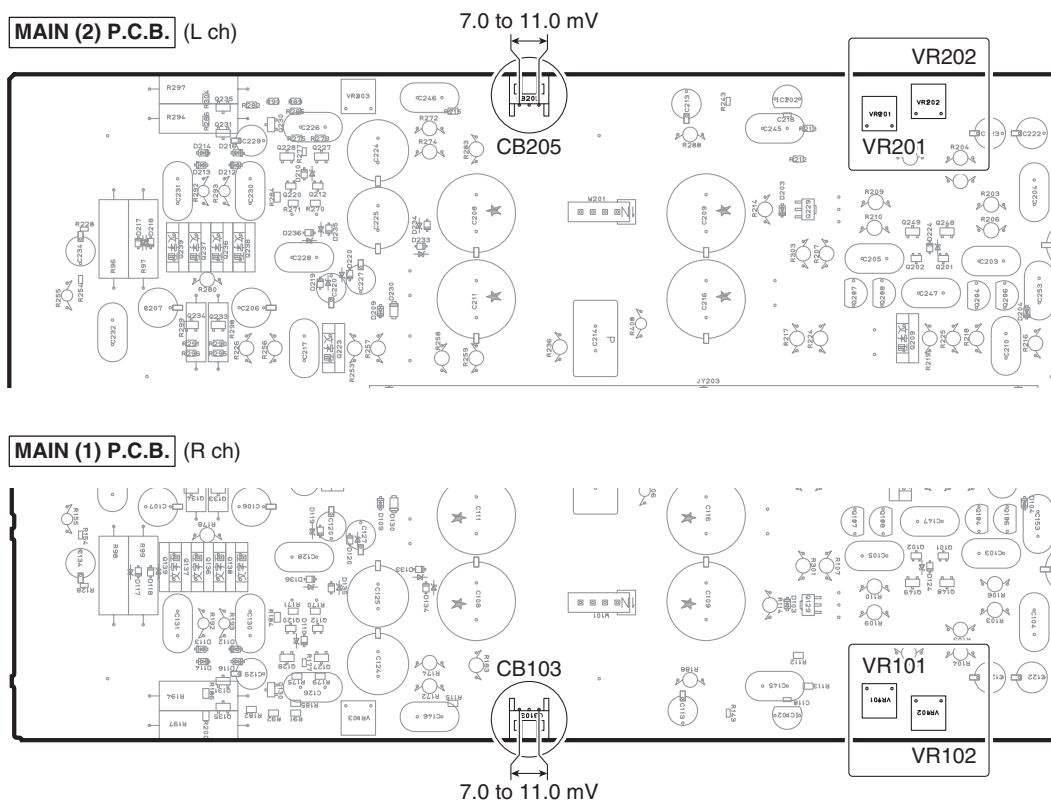
- 無入力信号
- 無負荷
- 室内温度 22 ~ 27°C
- 無風
- 電源を入れてから 3 分経過後に調整を開始

調整

1. すべてのチャンネルのアイドル調整用半固定ボリュームを左いっぱいに戻します。
2. 本機に電源を投入します。
3. 電源投入から 3 分後、CB205 (Lch) / CB103 (Rch) の DC 電圧が 4.0 ~ 6.0 mV になるように、VR201 (Lch) / VR101 (Rch) を調整します。
4. 項目 3. の調整から 3 分後、CB205 (Lch) / CB103 (Rch) の DC 電圧が 8.5 ~ 9.5 mV になるように、VR202 (Lch) / VR102 (Rch) を調整します。
5. 項目 4. の調整から 3 分後、CB205 (Lch) / CB103 (Rch) の DC 電圧が 8.5 ~ 9.5 mV になるように、VR202 (Lch) / VR102 (Rch) を再度調整します。
6. 項目 5. の調整から 5 分後、CB205 (Lch) / CB103 (Rch) のアイドル電圧が 7.0 ~ 11.0 mV であることを確認します。

※ アイドリング電圧が 7.0 ~ 11.0 mV を外れている場合、項目 5. と 6. を繰り返しおこなってください。

2 回繰り返しても仕様を外れる場合は、故障箇所を調べ直してください。

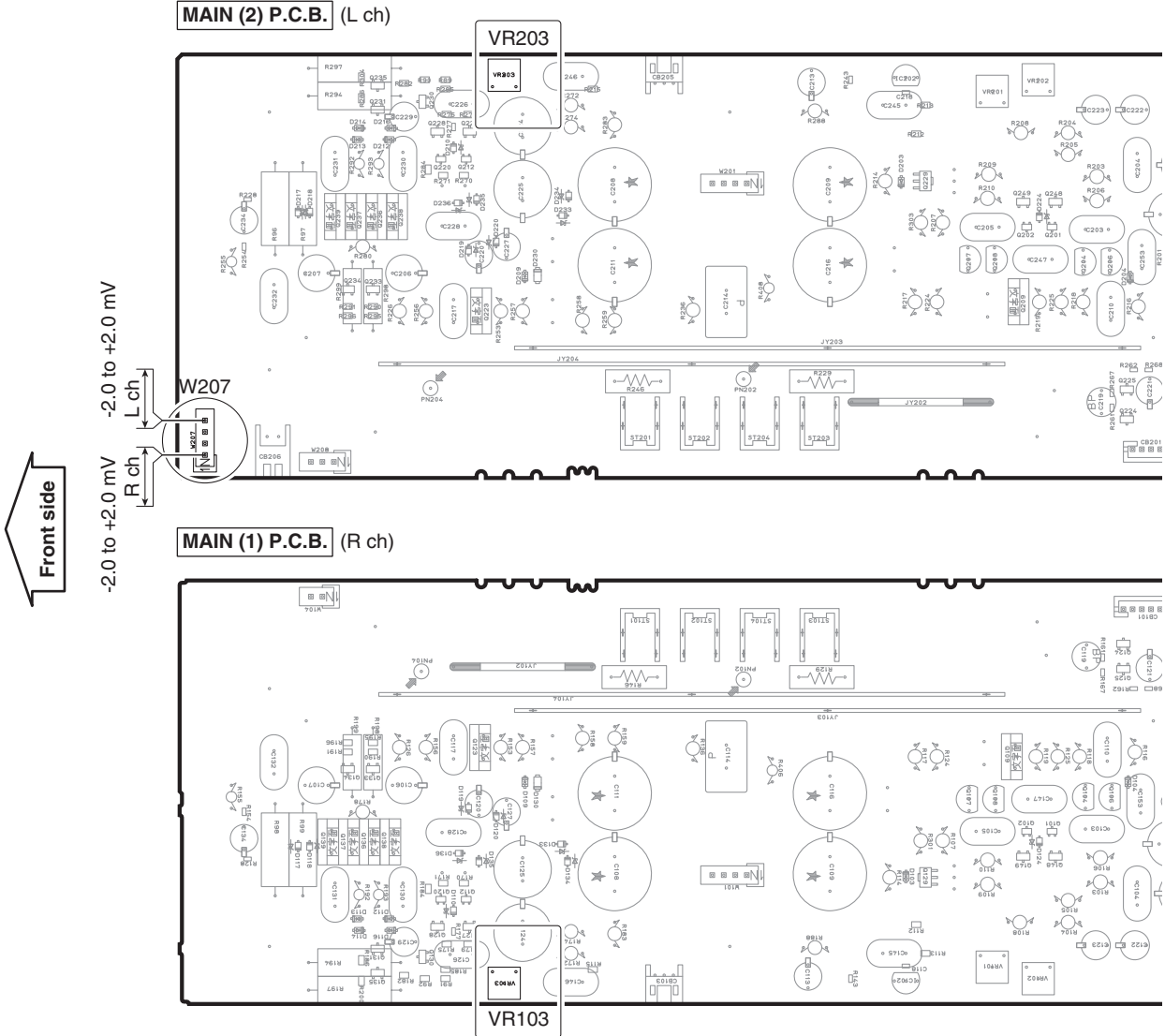


● DC Offset Confirmation

After idling current adjustment, adjust VR203 (Lch)/VR103 (Rch) so that the DC voltage of the W207 becomes 0 mV (-2.0 to +2.0 mV).

● DC オフセット確認

アイドリング調整後、W207 の DC 電圧が 0 mV (-2.0 ~ +2.0 mV) になるように、VR203 (Lch) / VR103 (Rch) を調整します。



A-S3000

● Meter Adjustment

Check that the pointer is operating properly.

Condition

- Input signal: 1 kHz sine wave
- Speaker output L/R: 8 ohms, 0.02 % THD
- Rated output power: 100 W + 100 W

Adjustment

1. Set the speaker output under the same conditions as the rated output of the reference specification. Then, adjust VR405 (Lch) / VR406 (Rch) so that the pointer is at the 0 dB position.

● メーター調整

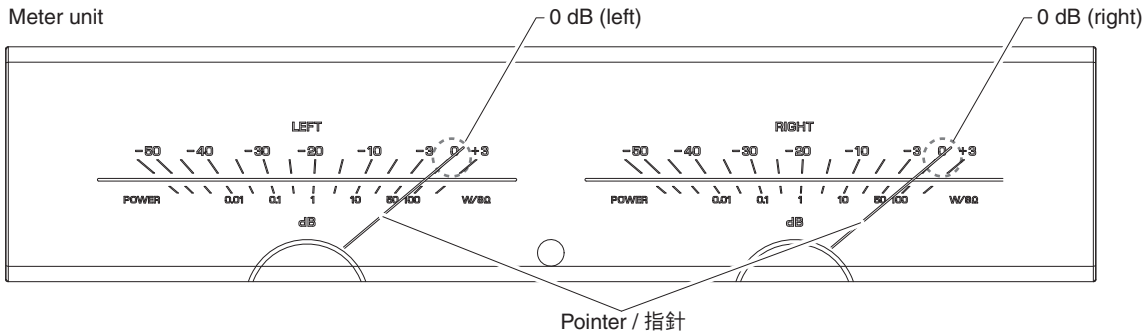
指針が正常に動作していることを確認します。

条件

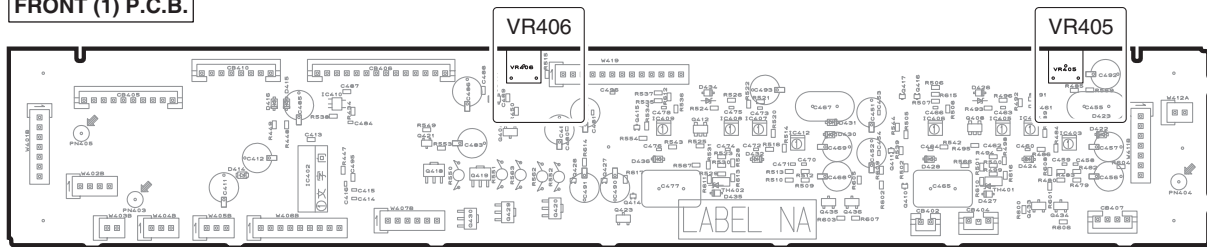
- 入力信号：1 kHz 正弦波
- スピーカー出力 L / R：8 ohms、0.02 % THD
- 定格出力：100 W + 100 W

調整

1. スピーカー出力を参考仕様の定格出力と同じ条件にします。次に、指針が 0 dB の位置になるように、VR405 (Lch) / VR406 (Rch) を調整します。

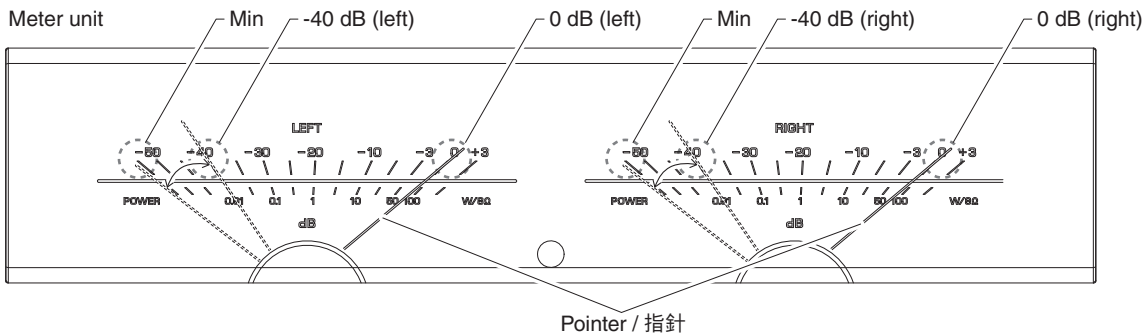


FRONT (1) P.C.B.



2. Reduce the speaker output by -50dB from the rated output. At this time, check that the pointer is located within min from -40 dB.

2. スピーカー出力を定格出力から -50 dB 下げます。このときに、指針が -40 dB から min 間の位置にあることを確認します。

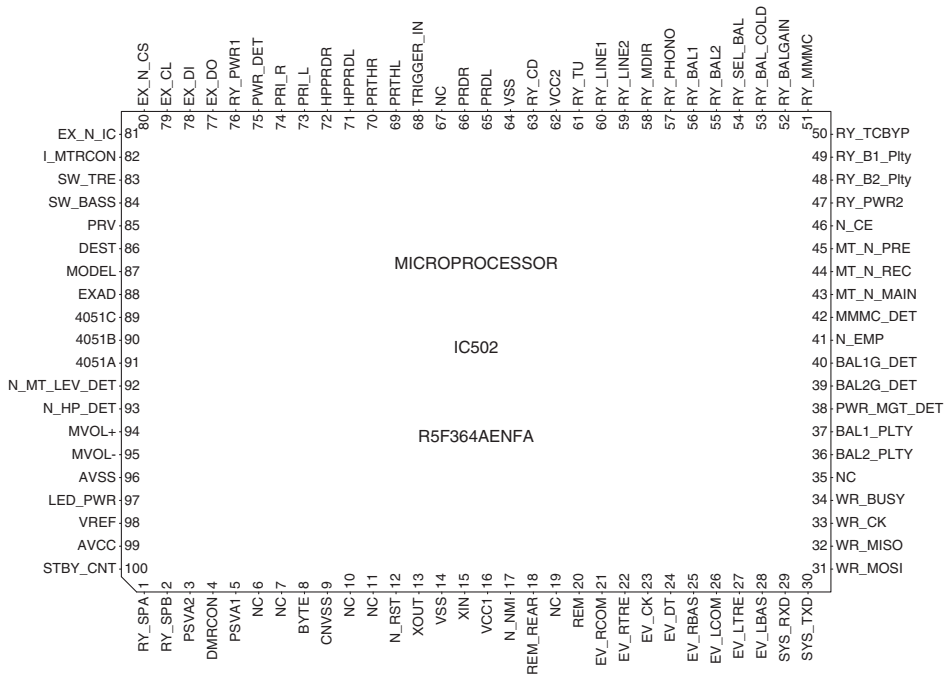
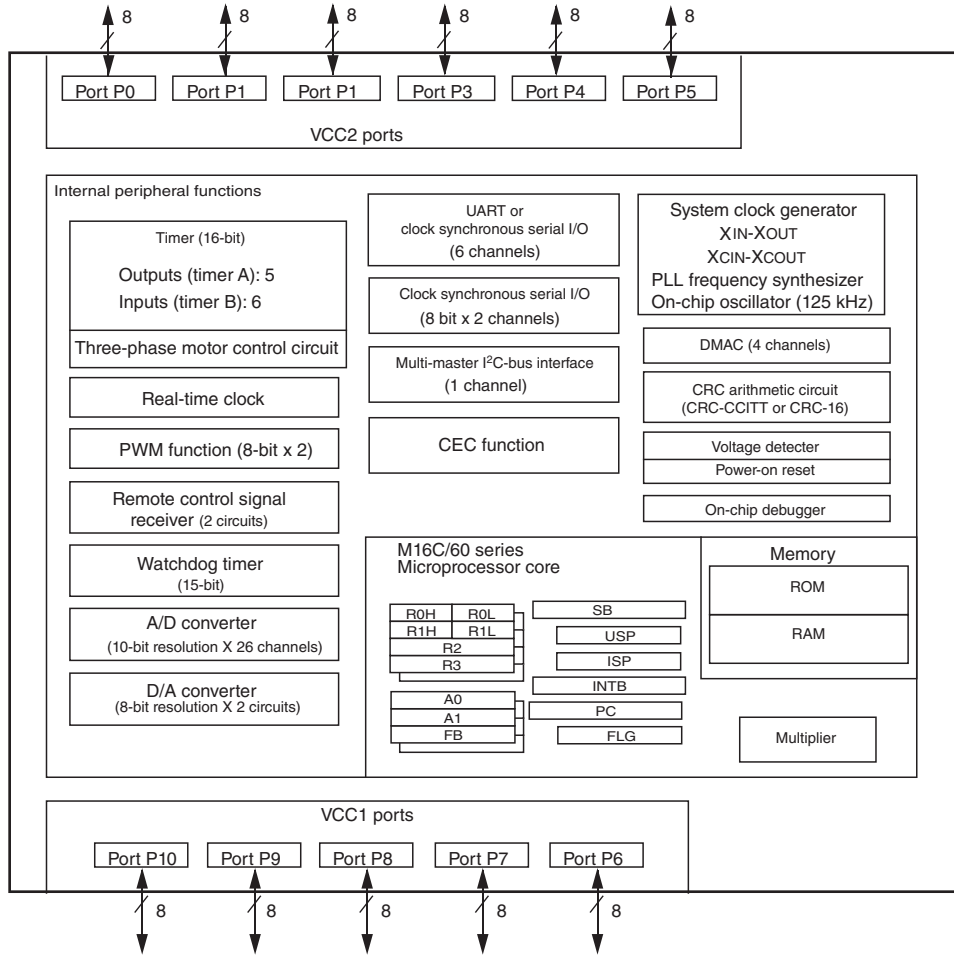


IC DATA

IC502: R5F364AENFA (FUNCTION (1) P.C.B.)

Microprocessor

* No replacement part available. / サービス部品供給なし



A-S3000

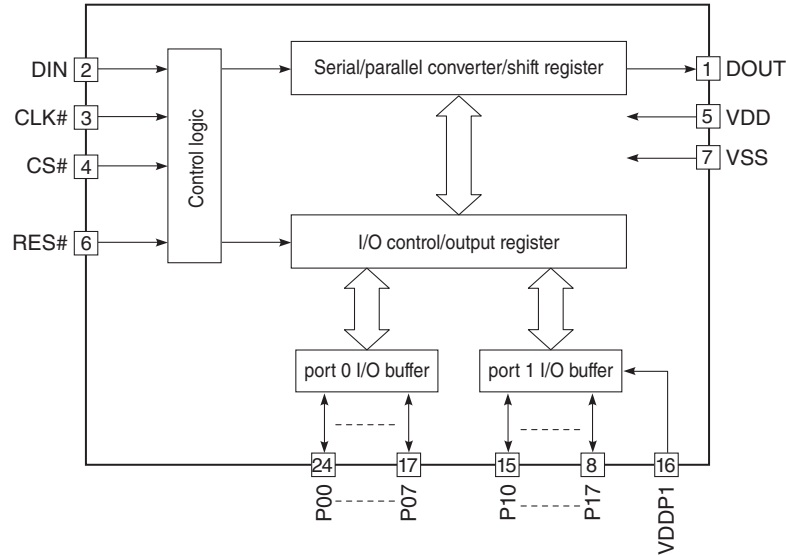
Pin No.	Port Name	Function Name (P.C.B.)	I/O			Detail of Function
			PowerOn [All]	Standby	MCUSleep [When writing]	
1	P9_6/ANEX1/SOUT4	RY_SPA	O	O	O	Speaker relay A control
2	P9_5/ANEX0/CLK4	RY_SPB	O	O	O	Speaker relay B control
3	P9_4/DA1/TB4IN/PWM1	PSVA2	TMR	O	O	Power amplifier power voltage protection
4	P9_3/DA0/TB3IN/PWM0	DMRCON	DA	O	O	Meter light dimmer level control
5	P9_2/TB2IN/PMC0/SOUT3	PSVA1	TMR	O	O	Power amplifier power voltage protection
6	P9_1/TB1IN/PMC1/SIN3	NC	O	O	O	
7	P9_0/TB0IN/CLK3	NC	O	O	O	
8	BYTE	BYTE	[MCU]			Connected to Vss when in single chip mode (External data bus width change: 16 bit)
9	CNVss	CNVss	[MCU]			Low: Processor mode selection: Single chip mode Hi: To Flash included boot mode Boot mode: P5_5=L, CNVSS=H, P5_0=H
10	P8_7/XCIN	NC	O	O	O	
11	P8_6/XCOUT	NC	O	O	O	
12	nRESET	N_RST	[MCU]			Reset input
13	Xout	XOUT	[MCU]			Main clock 20 MHz output
14	Vss	VSS	[MCU]			D_GND
15	Xin	XIN	[MCU]			Main clock 20 MHz input
16	Vcc1	VCC1	[MCU]			+5M
17	P8_5/nNMI/nSD/CEC	N_NMI		MCU	MCU	Pull-up because of being unused
18	P8_4/nINT2/ZP	REM_REAR	IRQ	IRQ	O	Rear IR input
19	P8_3/nINT1	NC	O	O	O	
20	P8_2/nINT0	REM	IRQ	IRQ	O	Remote control IR input
21	P8_1/TA4IN/nU/nCTS5/nRTS5	EV_RCOM	O	O	O	Electronic VOLUME NJU72321 Enable output / Rch #1 Common
22	P8_0/TA4OUT/U/RXD5/SCL5	EV_RTRE	O	O	O	Electronic VOLUME NJU72321 Enable output / Rch #2 Treble
23	P7_7/TA3IN/CLK5	EV_CK	SO	O	O	Electronic VOLUME NJU72321 Clock output
24	P7_6/TA3OUT/TXD5/SDA5	EV_DT	SO	O	O	Electronic VOLUME NJU72321 Data output
25	P7_5/TA2IN/nW	EV_RBAS	O	O	O	Electronic VOLUME NJU72321 Enable output / Rch #3 Bass
26	P7_4/TA2OUT/W	EV_LCOM	O	O	O	Electronic VOLUME NJU72321 Enable output / Lch #1 Common
27	P7_3/nCTS2/nRTS2/TA1IN/nV	EV_LTRE	O	O	O	Electronic VOLUME NJU72321 Enable output / Lch #2 Treble
28	P7_2/CLK2/TA1OUT/V	EV_LBAS	O	O	O	Electronic VOLUME NJU72321 Enable output / Lch #3 Bass
29	P7_1/RXD2/SCL2/SCLMM/ TA0IN/TB5IN * Nch open drain	SYS_RXD	SI	IRQ	I	Y Link RXD (Receive)
30	P7_0/TXD2/SDA2/SDAMM/ TA0OUT * Nch open drain	SYS_TXD	SO	O	O	Y Link TXD (Transmit)
31	P6_7/TXD1/SDA1	WR_MOSI	SO	SO	O [MCU]	For simple emulation Rx when writing Flash
32	P6_6/RXD1/SCL1	WR_MISO	SI	SI	O [MCU]	For simple emulation Tx when writing Flash
33	P6_5/CLK1	WR_CK	SO	SO	O [MCU]	For simple emulation Clock when writing Flash
34	P6_4/nCTS1/nRTS1/nCTS0/ CLKS1	WR_BUSY	O	O	O [MCU]	For simple emulation BUSY output when writing Flash
35	P6_3/TXD0/SDA0	NC	O	O	O	
36	P6_2/RXD0/SCL0	BAL2_PLTY	I	O	O	BAL 2 Polarity SW Hi/Low detection H=INV., L=NORMAL
37	P6_1/CLK0	BAL1_PLTY	I	O	O	BAL 1 Polarity SW Hi/Low detection H=INV., L=NORMAL
38	P6_0/RTCOUT/nCTS0/nRTS0	PWR_MGT_DET	I	O	O	Power management On/Off changing SW detection Hi=Power Management ON

Pin No.	Port Name	Function Name (P.C.B.)	I/O			Detail of Function
			PowerOn [All]	Standby	MCUSleep [When writing]	
39	P5_7/nRDY/CLKOUT	BAL2G_DET	I	O	O	BALANCE 2 Gain changing SW detection H=ATT. -6 dB (Low Gain), L=BYPASS (High Gain)
40	P5_6/ALE	BAL1G_DET	I	O	O	BALANCE 1 Gain changing SW detection H=ATT. -6 dB (Low Gain), L=BYPASS (High Gain)
41	P5_5/nHOLD	N_EMP	I			For writing Flash (LO) / Boot mode: P5_5=L, CNVSS=H, P5_0=H Pull-down as Hiz state may occur during emulator operation
42	P5_4/nHLDA	MMMC_DET	I	O	O	PHONO MM/MC SW detection Hi: MC, Low: MM
43	P5_3/BCLK	MT_N_MAIN	O	O	O	MAIN MUTE control L=Mute On, H=Mute cancelled
44	P5_2/nRD	MT_N_REC	O	O	O	REC OUT MUTE control L=Mute On, H=Mute cancelled
45	P5_1/nWRH/nBHE	MT_N_PRE	O	O	O	PRE OUT MUTE control L=Mute On, H=Mute cancelled
46	P5_0/nWRL/nWR	/CE			I	For writing Flash (Hi) / Boot mode: P5_5=L, CNVSS=H, P5_0=H
47	P4_7/PWM1/TXD7/SDA7/nCS3	RY_PWR2	O	O	O	Power relay 2 On/Off, On at 500 ms after Power On
48	P4_6/PWM0/RXD7/SCL7/nCS2	RYCB2_PLTY	O	O	O	BAL 2 Polarity, changed with Hi/Low H=INV., L=NORMAL
49	P4_5/CLK7/nCS1	RYCB1_PLTY	O	O	O	BAL 1 Polarity, changed with Hi/Low H=INV., L=NORMAL
50	P4_4/nCTS7/nRTS7/nCS0	RY_TCBYP	O	O	O	TONE control, Bypass route changing relay control H=Tone Cont Bypass, L=Tone Cont Enable
51	P4_3/A19	RY_MMMC	O	O	O	PHONO MM/MC relay control H=MM, L=MC
52	P4_2/A18	RY_BALGAIN	O	O	O	BALANCE Gain changing relay control H=ATT, -6 dB (Low Gain), L=BYPASS (High Gain) -> when unbalanced, H: Low Gain
53	P4_1/A17	RY_BAL_COLD	O	O	O	BALANCE Cold signal selecting relay control H=When BALANCE 2 is selected, L=When BALANCE 1 is selected
54	P4_0/A16	RY_SEL_BAL	O	O	O	BALANCE signal selecting relay control H=Other than BALANCE 1 or 2, L=BALANCE 1 or 2
55	P3_7/A15	RY_BAL2	O	O	O	BALANCE 2 input selecting relay control
56	P3_6/A14	RY_BAL1	O	O	O	BALANCE 1 input selecting relay control
57	P3_5/A13	RY_PHONO	O	O	O	PHONO input selecting relay control
58	P3_4/A12	RY_MDIR	O	O	O	MAIN DIRECT input selecting relay control
59	P3_3/A11	RY_LINE2	O	O	O	LINE 2 input selecting relay control
60	P3_2/A10	RY_LINE1	O	O	O	LINE 1 input selecting relay control
61	P3_1/A9	RY_TU	O	O	O	TUNER input selecting relay control
62	Vcc2	VCC2	[MCU]			+5M
63	P3_0/A8	RY_CD	O	O	O	CD input selecting relay control
64	Vss	VSS	[MCU]			D_GND
65	P2_7/AN2_7/A7	PRDL	AD	O	O	Lch POWER AMP DC protect AD value taken
66	P2_6/AN2_6/A6	PRDR	AD	O	O	Rch POWER AMP DC protect AD value taken
67	P2_5/INT7/AN2_5/A5	NC	O	O	O	
68	P2_4/INT6/AN2_4/A4	TRIGGER IN	IRQ	IRQ	O	TRIGGER IN interrupt detection Power linked by trigger input from AV AMP
69	P2_3/AN2_3/A3	PRTHL	AD	O	O	Lch heat sink temperature detection Pull-up resistance depends on protection voltage setting -> Check required
70	P2_2/AN2_2/A2	PRTHR	AD	O	O	Rch heat sink temperature detection Pull-up resistance depends on protection voltage setting -> Check required

Pin No.	Port Name	Function Name (P.C.B.)	I/O			Detail of Function
			PowerOn [All]	Standby	MCUSleep [When writing]	
71	P2_1/AN2_1/A1	HPPRDL	AD	O	O	HEADPHONE AMP Lch DC protection detection
72	P2_0/AN2_0/A0	HPPRDR	AD	O	O	HEADPHONE AMP Rch DC protection detection
73	P1_7/nINT5/IDU/D15	PRI_L	IRQ	O	O	Lch POWER AMP I Protect AD value taken
74	P1_6/nINT4/IDW/D14	PRI_R	IRQ	O	O	Rch POWER AMP I Protect AD value taken
75	P1_5/INT3/IDV/D13	PWR_DET	IRQ	IRQ	IRQ	POWER DETECT interrupt detection
76	P1_4/D12	RY_PWR1	O	O	O	POWER relay control
77	P1_3/TXD6/SDA6/D11	EX_DO	SO	O	O	Extended IC: Data Out for LC709004A
78	P1_2/RXD6/SCL6/D10	EX_DI	SI	O	O	Extended IC: Data In for LC709004A
79	P1_1/CLK6/D9	EX_CL	SO	O	O	Extended IC: Clock for LC709004A
80	P1_0/nCTS6/nRTS6/D8	EX_N_CS	O	O	O	Extended IC: Chip Select for LC709004A
81	P0_7/AN0_7/D7	EX_N_IC	O	O	O	Extended IC: Initial Clear for LC709004A
82	P0_6/AN0_6/D6	I_MTRCON	AD	O	O	Meter Control SW AD value detection
83	P0_5/AN0_5/D5	SW_TRE	O	O	O	TREBLE cut off frequency change Changed according to TONE CONTROL value
84	P0_4/AN0_4/D4	SW_BASS	O	O	O	BASS cut off frequency change Changed according to TONE CONTROL value
85	P0_3/AN0_3/D3	PRV	AD	O	O	Power error detection, other than power amplifier
86	P0_2/AN0_2/D2	DEST	AD	O	O	Destination distinction * DEST and MODEL distinctions are considered together
87	P0_1/AN0_1/D1	MODEL	AD	O	O	MODEL distinction
88	P0_0/AN0_0/D0	EXAD	AD	O	O	AD MUX: COM input of TC74HC4051AFEL Extended IC for AD: TC74HC4051AFEL
89	P10_7/AN7/nK13	4051C	O	O	O	AD MUX select / Extended IC for AD TC74HC4051AFEL
90	P10_6/AN6/nK12	4051B	O	O	O	AD MUX select / Extended IC for AD TC74HC4051AFEL
91	P10_5/AN5/nK11	4051A	O	O	O	AD MUX select / Extended IC for AD TC74HC4051AFEL
92	P10_4/AN4/nK10	I_MT_LEV_DET	I	O	O	MUTE LEVER detection H=MUTE ON, L=MUTE OFF
93	P10_3/AN3	I_N_HP_DET	I	O	O	Headphone detection H=No Head Phone, L=When Head Phone inserted
94	P10_2/AN2	MVOL+	O	O	O	Motor Driver IC control
95	P10_1/AN1	MVOL-	O	O	O	Motor Driver IC control
96	Avss	MG	[MCU]			D_GND
97	P10_0/AN0	LED_PWR	O	O	O	POWER LED control H=LED On, L=LED Off
98	Vref	VREF	[MCU]			+5M
99	Avcc	AVCC	[MCU]			+5M
100	P9_7/nADTRG/SIN4	STBY_CNT	O	O	O	<ul style="list-style-type: none"> +5S Power ON/OFF control H=ON, L=OFF: For reduction of standby power Usually fixed to High at Power ON. Standby power is reduced (MCUSleep) by setting this to Low after the standby related procedure is finished. When shifted to Standby, set this to Low after the ending procedure is completed.

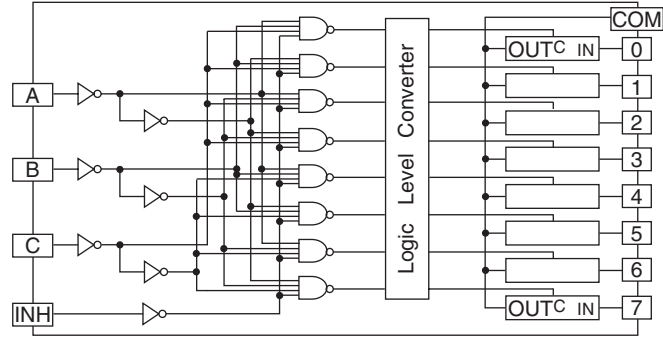
• **Microprocessor extended port**

IC402: LC709004AMJ-AH (FRONT (1) P.C.B.)
I/O-expander for microprocessor



Pin No.	Port Name	Function Name (P.C.B.)	I/O	Detail of Function
1	DOUT	DOUT	SO	Data Out
2	DIN	DIN	SI	Data In
3	CLK#	CLK	SI	Clock
4	CS#	CS	I	Chip Select
5	VDD	VDD		Power supply
6	RES#	RES	I	Initial Clear
7	VSS	VSS		GND
8	P17	NC		
9	P16	MTR MT	O	H/HiZ: OFF, L: ON (Mute)
10	P15	COLOR	I	Color of main unit: H: BL, L: SI
11	P14	MTR_ATT	O	H/HiZ: OFF, L: ON (ATT.) L (ON) when without HP, H (OFF) with HP inserted
12	P13	PK/N_VU	O	H: Peak mode, L: VU mode
13	P12	MTR_OFF	O / HiZ	High/Open becomes Mute off by using Mute/Low
14	P11	RY_HP	O	On when Headphone is detected
15	P10	LED_MT	HiZ	LED is turned on when Mute lever on the front and Mute key of remote controller are activated
16	VDDP1	VDDP1		+5S power supply
17	P07	LED_MDIR	HiZ	LED tuned on when INPUT MAIN DIRECT is selected
18	P06	LED_PHONO	HiZ	LED turned on when INPUT PHONO is selected
19	P05	LED_BAL2	HiZ	LED turned on when INPUT BAL 2 is selected
20	P04	LED_BAL1	HiZ	LED turned on when INPUT BAL 1 is selected
21	P03	LED_LINE2	HiZ	LED turned on when INPUT LINE 2 is selected
22	P02	LED_LINE1	HiZ	LED turned on when INPUT LINE 1 is selected
23	P01	LED_TU	HiZ	LED turned on when INPUT TUNER is selected
24	P00	LED_CD	HiZ	LED turned on when INPUT CD is selected

IC505: TC74HC4051AFEL (FUNCTION (1) P.C.B.)
8-channel analog multiplexer/demultiplexer



Pin No.	Port Name	Function Name (P.C.B.)	I/O	Detail of Function
1	4	I_LRBAL	I	L/R balance adjustment
2	6	I_BAS	I	EQ of BASS
3	COM	EXAD	O	COM output terminal
4	7	I_TRE	I	EQ of Treble
5	5	I_VOL	I	Volume operation
6	INH	MG		
7	VEE	MG		
8	GND	MG		
9	C	4051C	I	Channel Selection
10	B	4051B	I	Channel Selection
11	A	4051A	I	Channel Selection
12	3	I_CNTR	I	Center value of BAS/TRE/BAL
13	0	I_ISEL	I+	Input Selector Rotary switch
14	1	I_SPAB	I+	SP changing Rotary switch OFF/A/B/A+B
15	2	I_HPTRIM	I+	Rotary switch (-6/0/6/12) of Headphone trim
16	VCC	+5S		

PIN CONNECTION DIAGRAMS

• ICs

BA8522RFVM-TR 	LB1641 	LC709004AMJ-AH 	LM61CIZ 	NJM2068MD-TE2 	NJM7812FA
NJM7912FA 	NJU72321 	OP275GSR OPA2134UA/2K5E4 	R5F364AENFA 		
R1154H058B-T1-F 	RP130Q331D-TR-F RP130Q501D-TR-F 	TC74HC4051AFEL 	TC7SET125FU TC7SZ125FU 		

• Diodes

1SS355VMTE-17 	BAV103 	D6SBN20 6A 200V D15XBN20-7001 15A 	MAZ8180GML 18.0V 	RB160M-60 TR RB501V-40 RB520SM-40 	S1NB60 1.0A 600V
S-202T 	TFZGTR7.5B TFZGTR13B TFZGTR18B 	UDZV2.0B UDZV3.0B UDZV3.3B UDZV5.1B UDZV5.6B UDZV6.2B UDZV10B UDZV12B UDZV13B UDZV20B UDZV30B 			

• Transistors

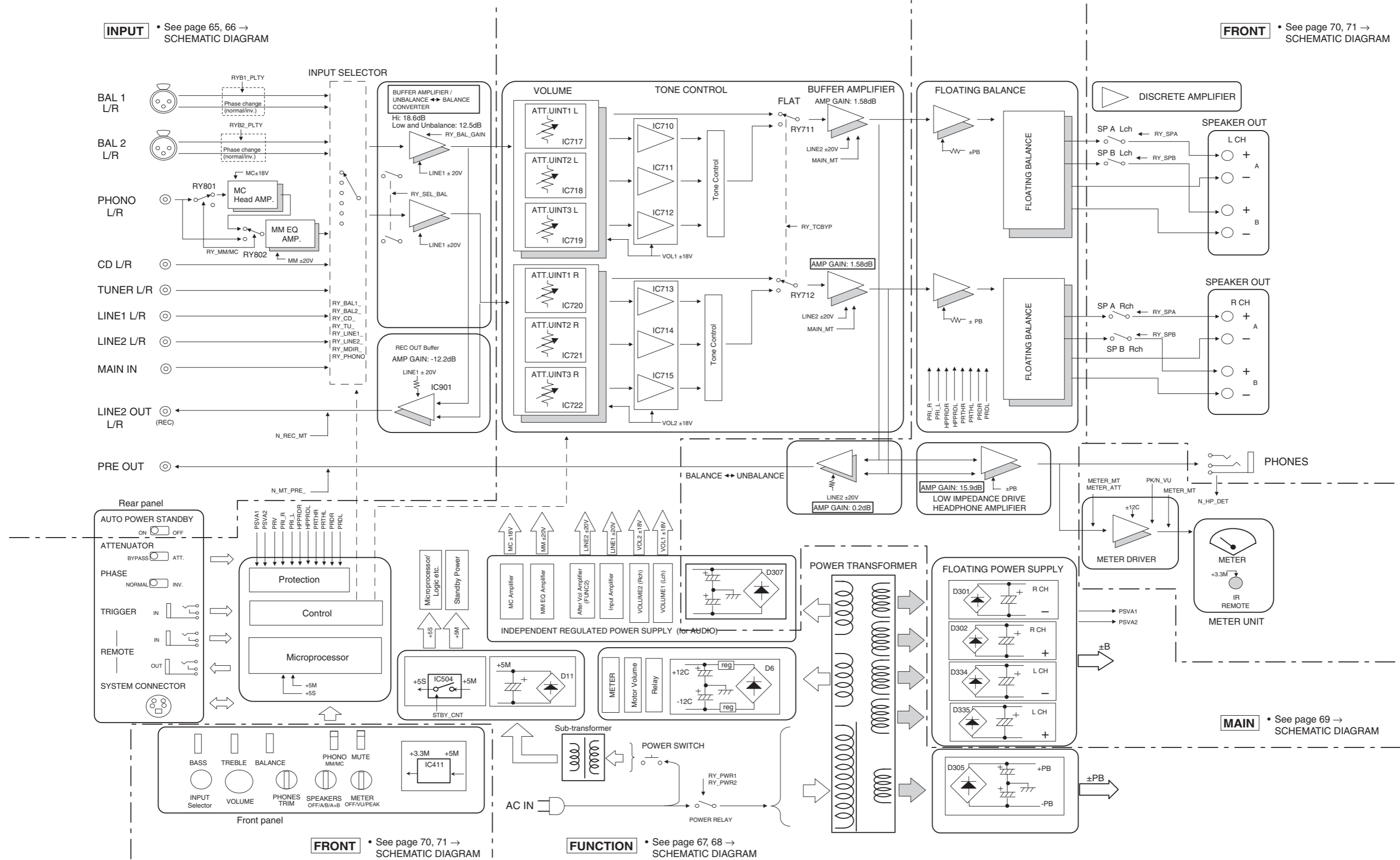
2SAR513P 2SCR513P 	2SK209-BL (TE85L,F) 2SK880-BL (TE85L) 	2SA949 	2SA1037K 	2SA1312-GR,BL 	2SA1725 	2SC2412K 	2SC2713-GR
2SC3324-GR,BL 	2SC4081UBTLR 	2SC4511 	2SD2704 K 	2SK209 	DTA144EKA 	DTC044EUBTL 	DTC114EKA DTC143XKA DTC144EKA
HN4C06J 	KRA102S-RTK/P KRA104S-RTK 	KTA1659A-U/PF KTC4370A-Y-U/PF 	KTA1664-Y-RTF/P 	KTC3964-U/PH 	MLE20 	RSM002N06 	

BLOCK DIAGRAMS

AUDIO Section Block Diagram

INPUT • See page 65, 66 → SCHEMATIC DIAGRAM

FRONT • See page 70, 71 → SCHEMATIC DIAGRAM



FRONT • See page 70, 71 → SCHEMATIC DIAGRAM

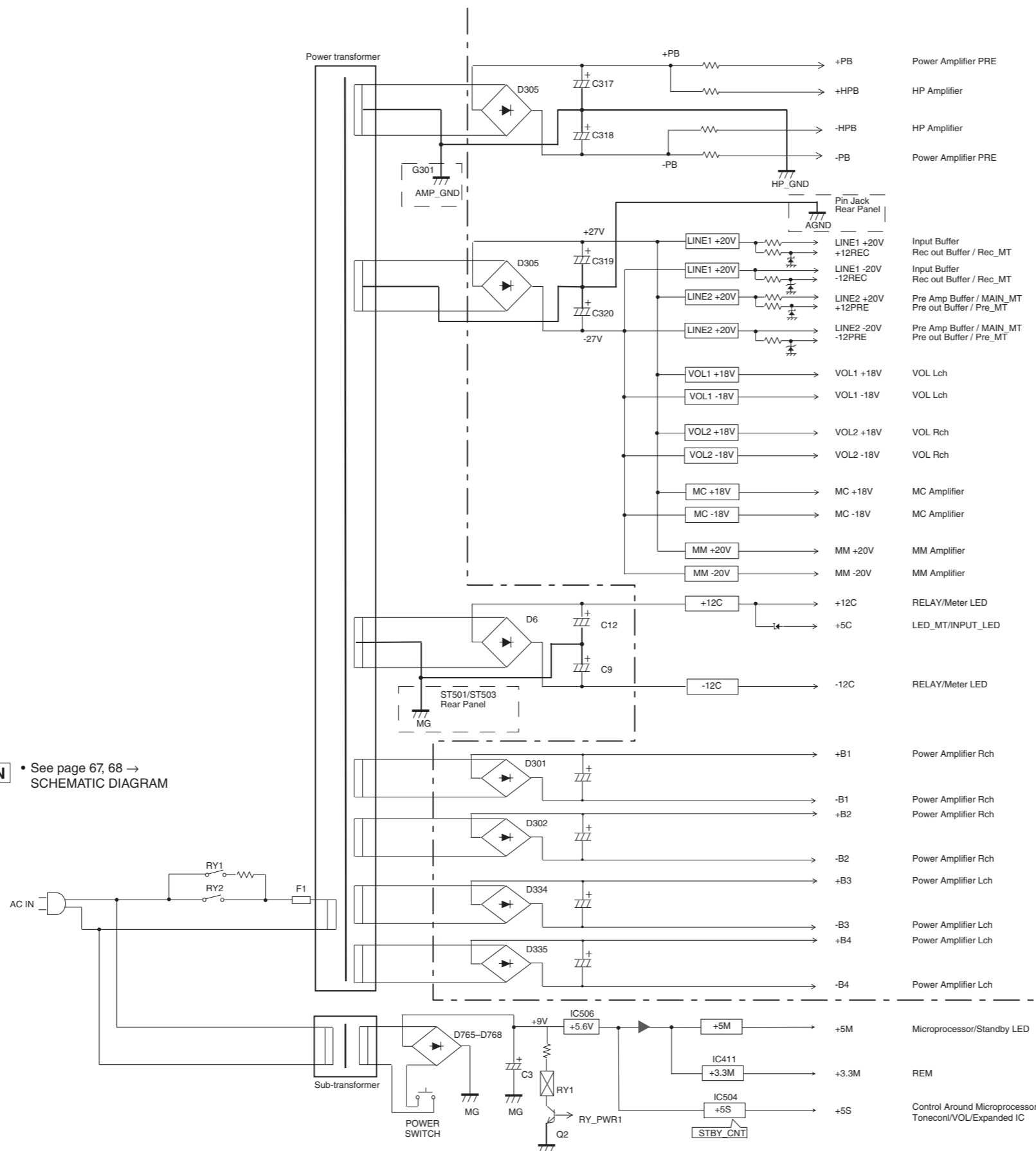
FUNCTION • See page 67, 68 → SCHEMATIC DIAGRAM

MAIN • See page 69 → SCHEMATIC DIAGRAM

Power Supply Sections Block Diagram

FUNCTION • See page 67, 68 → SCHEMATIC DIAGRAM

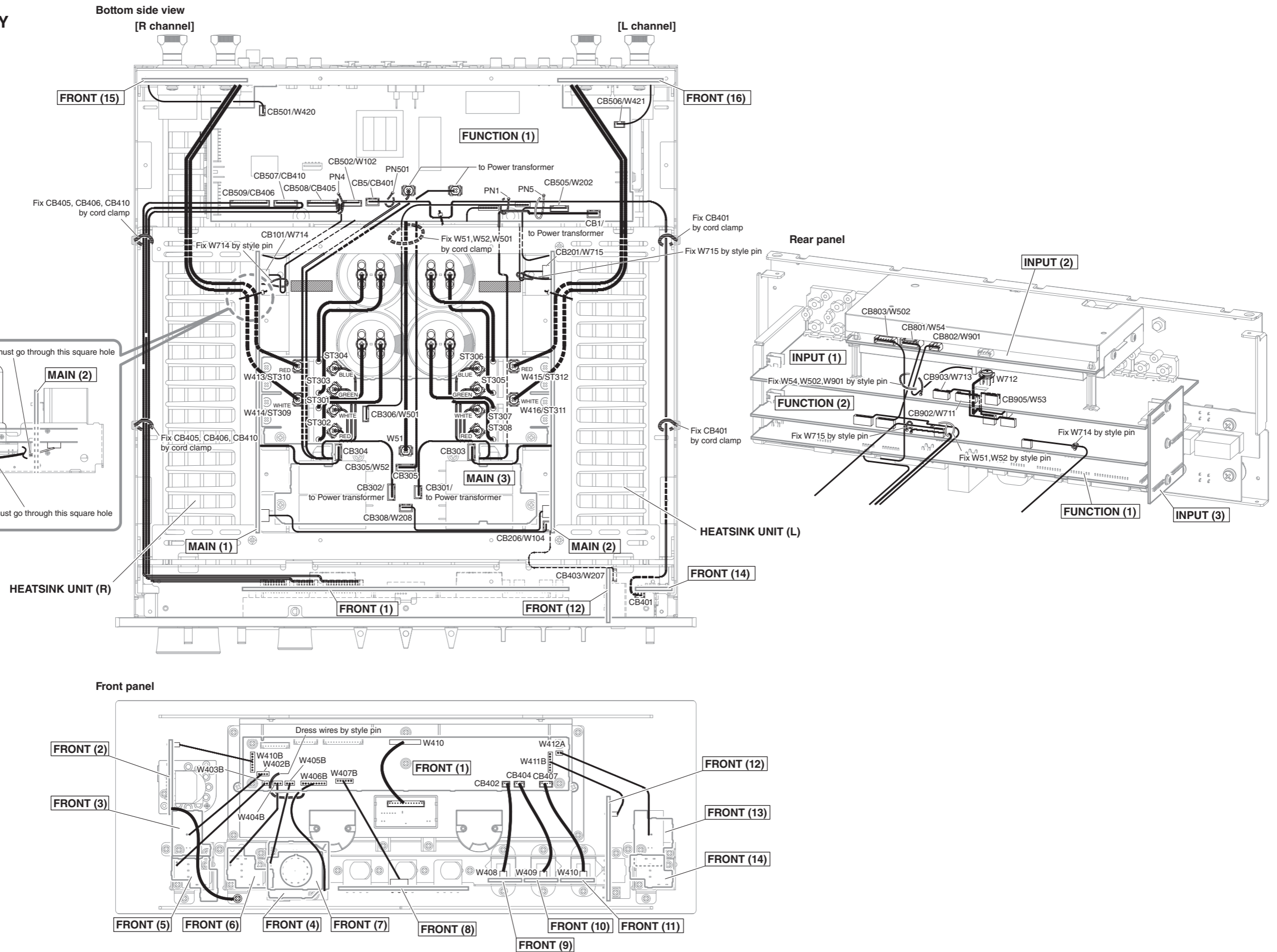
MAIN • See page 69 → SCHEMATIC DIAGRAM



- +PB Power Amplifier PRE
- +HPB HP Amplifier
- HPB HP Amplifier
- PB Power Amplifier PRE
- Pin Jack Rear Panel
- AGND
- LINE1 +20V Input Buffer
- +12REC Rec out Buffer / Rec_MT
- LINE1 -20V Input Buffer
- 12REC Rec out Buffer / Rec_MT
- LINE2 +20V Pre Amp Buffer / MAIN_MT
- +12PRE Pre out Buffer / Pre_MT
- LINE2 -20V Pre Amp Buffer / MAIN_MT
- 12PRE Pre out Buffer / Pre_MT
- VOL1 +18V VOL Lch
- VOL1 -18V VOL Lch
- VOL2 +18V VOL Rch
- VOL2 -18V VOL Rch
- MC +18V MC Amplifier
- MC -18V MC Amplifier
- MM +20V MM Amplifier
- MM -20V MM Amplifier
- +12C RELAY/Meter LED
- +5C LED_MT/INPUT_LED
- 12C RELAY/Meter LED
- +B1 Power Amplifier Rch
- B1 Power Amplifier Rch
- +B2 Power Amplifier Rch
- B2 Power Amplifier Rch
- +B3 Power Amplifier Lch
- B3 Power Amplifier Lch
- +B4 Power Amplifier Lch
- B4 Power Amplifier Lch
- +5M Microprocessor/Standby LED
- +3.3M REM
- +5S Control Around Microprocessor
- IC506
- IC411
- IC504
- STBY_CNT

WIRING DIAGRAMS

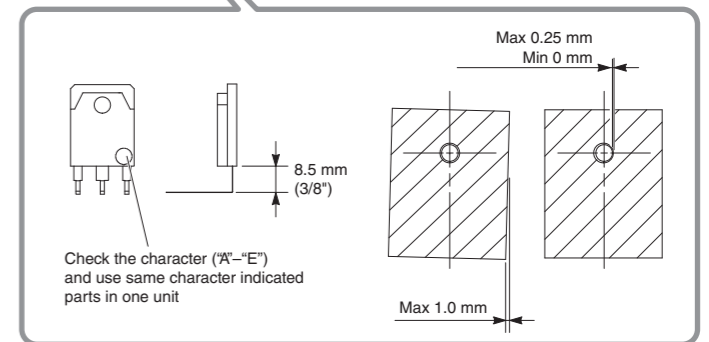
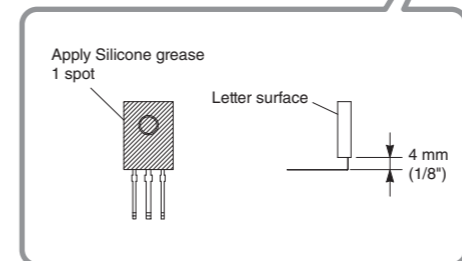
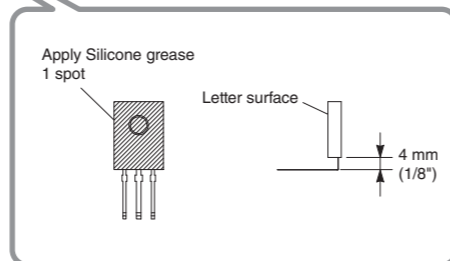
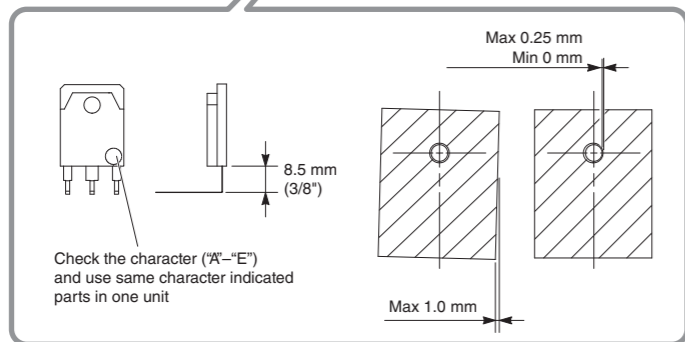
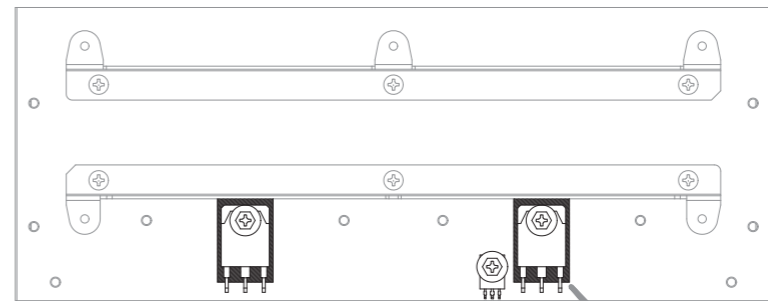
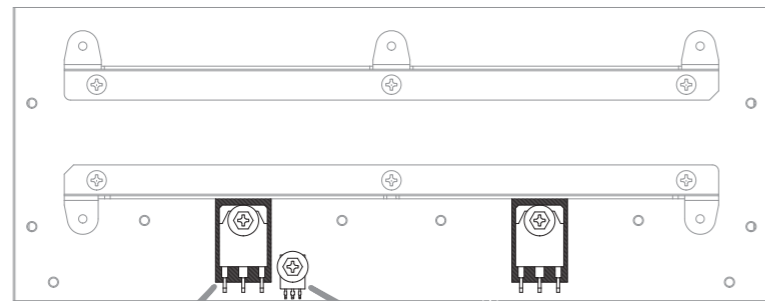
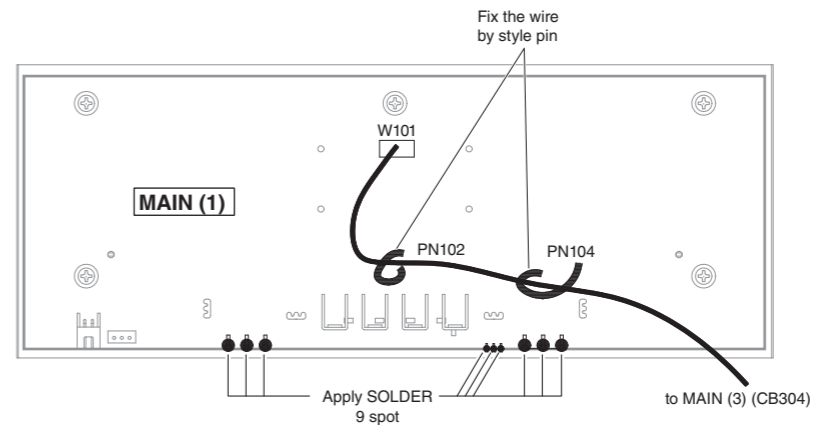
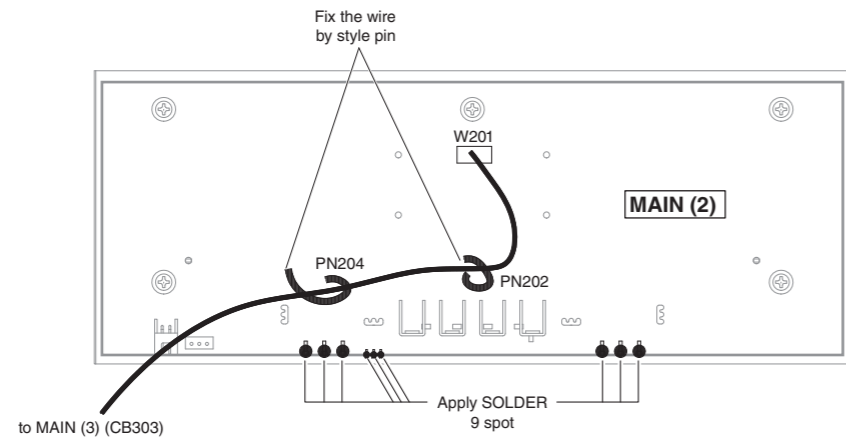
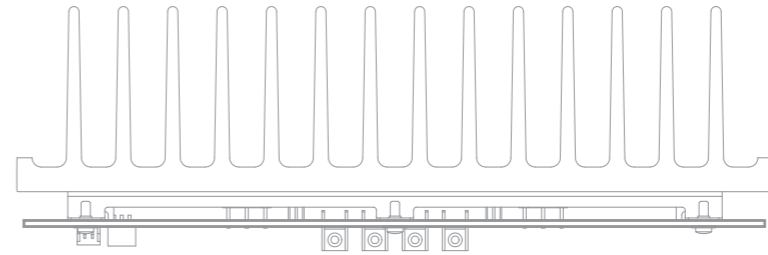
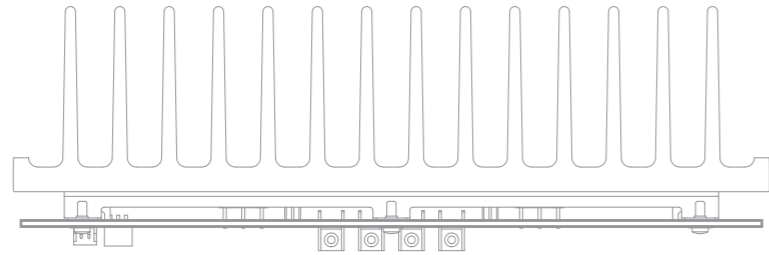
OVERALL ASSEMBLY



• HEATSINK UNIT L / HEATSINK UNIT R

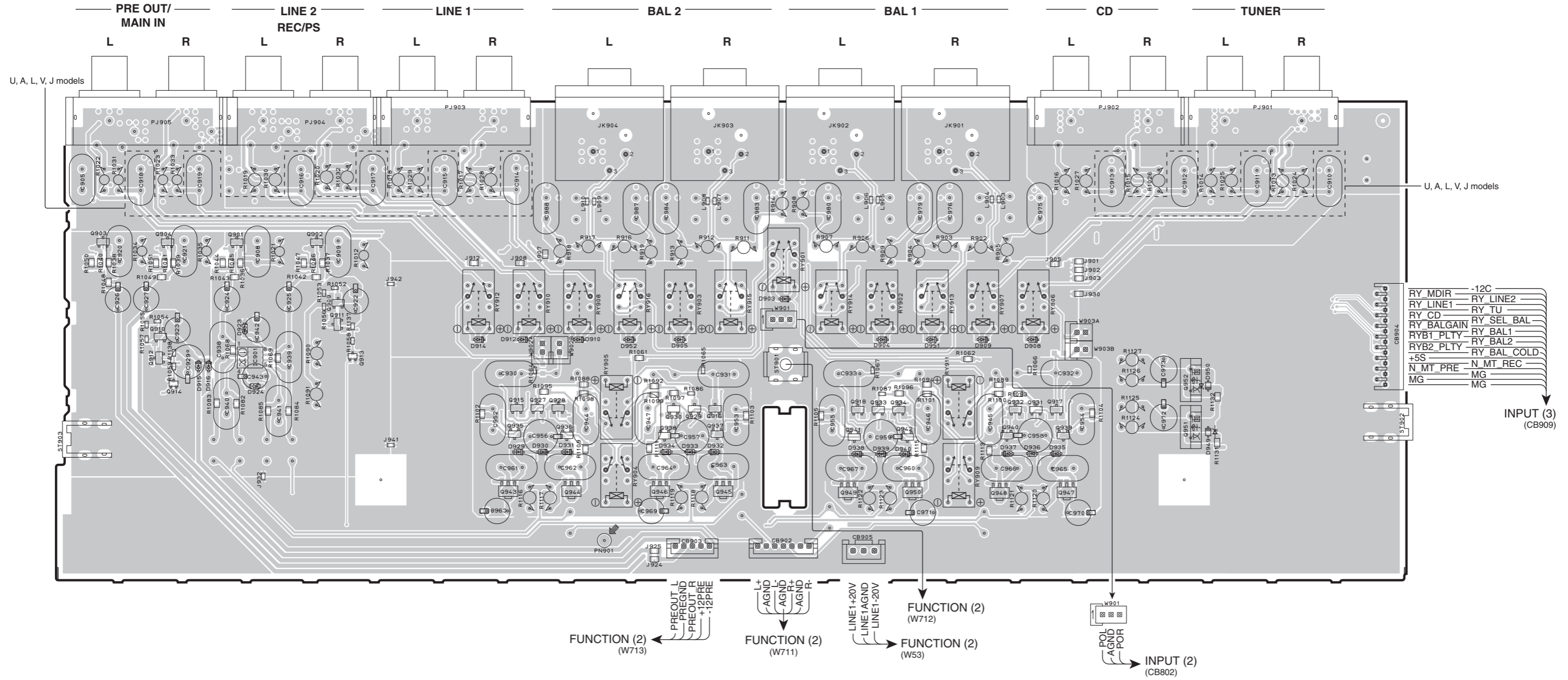
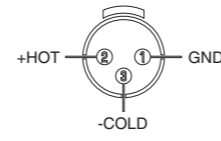
HEATSINK UNIT L

HEATSINK UNIT R



PRINTED CIRCUIT BOARDS

INPUT (1) (Side A)



• Semiconductor Location

Ref no.	Location	Ref no.	Location	Ref no.	Location	Ref no.	Location	Ref no.	Location	Ref no.	Location	Ref no.	Location
D903	F4	D923	B4	D937	G5	Q902	C3	Q916	E4	Q934	F4	Q944	D5
D904	F4	D924	B4	D938	F5	Q903	A3	Q917	G4	Q935	D4	Q945	E5
D905	E4	D929	D5	D939	F5	Q904	B3	Q918	F4	Q936	D4	Q946	E5
D908	G4	D930	D5	D940	F5	Q909	C4	Q927	D4	Q937	E4	Q947	G5
D909	G4	D931	D5	D949	H4	Q910	B4	Q928	D4	Q938	E4	Q948	G5
D910	D4	D932	E5	D950	H4	Q911	C4	Q929	E4	Q939	G4	Q949	F5
D912	D4	D933	E5	D951	G4	Q912	B4	Q930	E4	Q940	G4	Q950	F5
D914	D4	D934	E5	D952	E4	Q913	C4	Q931	G4	Q941	F4	Q951	H4
D915	B4	D935	G5	IC901	B4	Q914	B4	Q932	G4	Q942	F4	Q952	H4
D916	B4	D936	G5	Q901	B3	Q915	D4	Q933	F4	Q943	D5		

1

INPUT (1) (Side B)

2

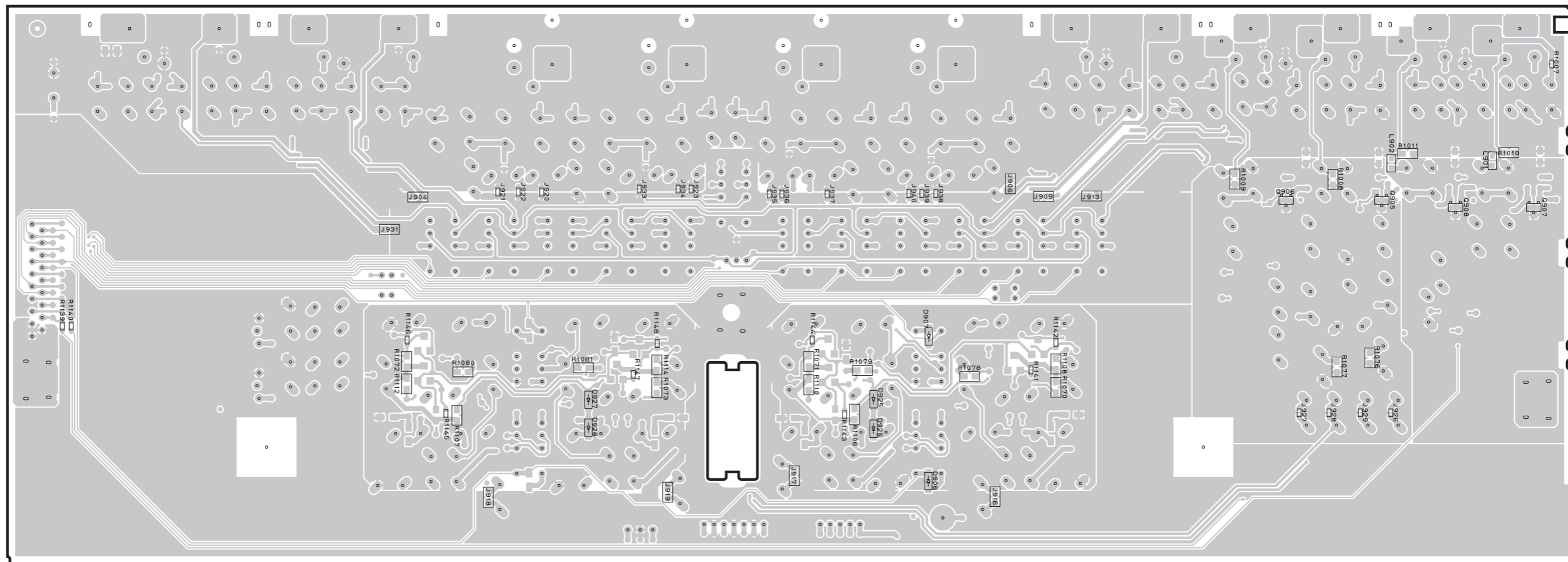
3

4

5

6

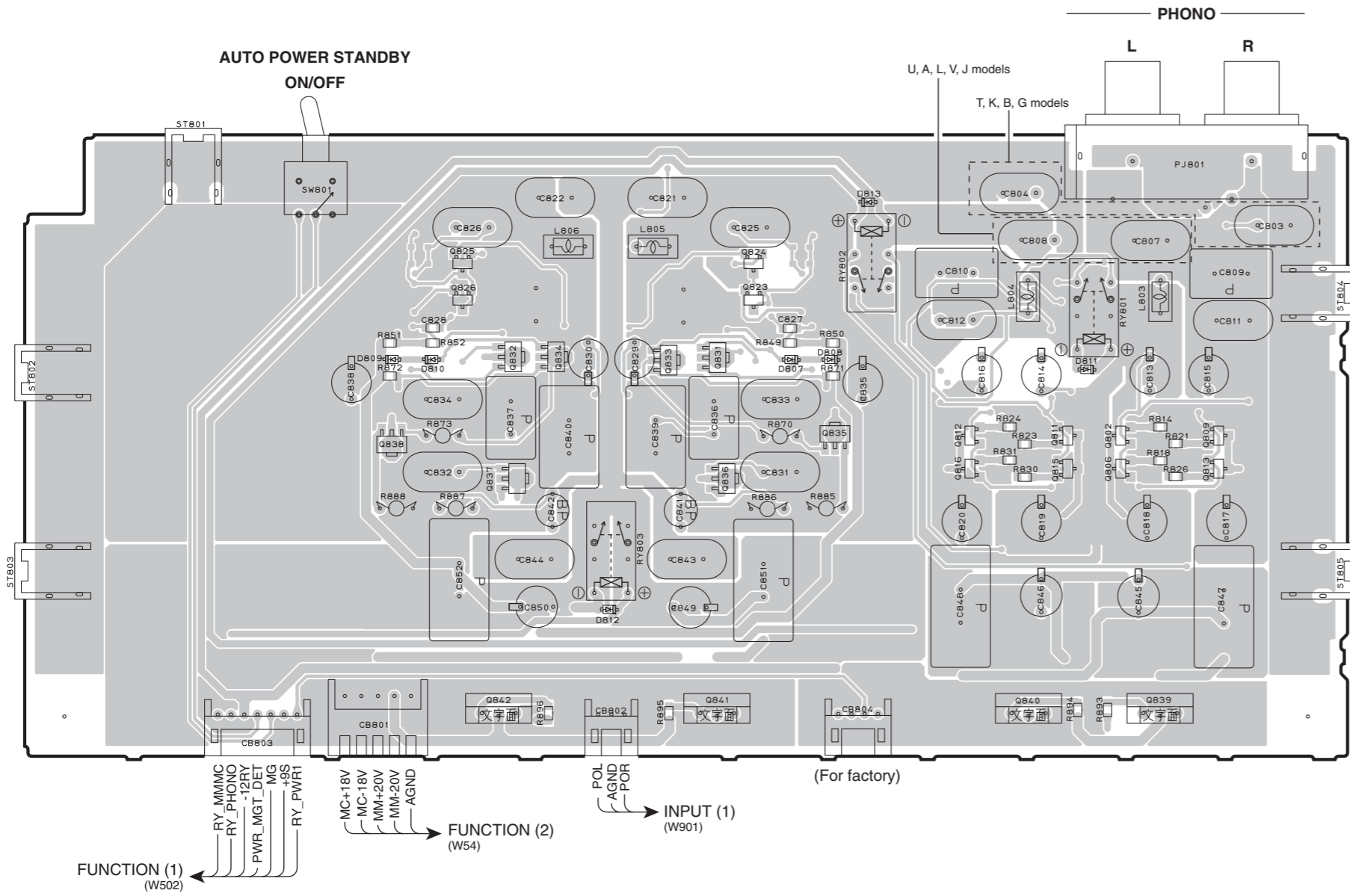
7



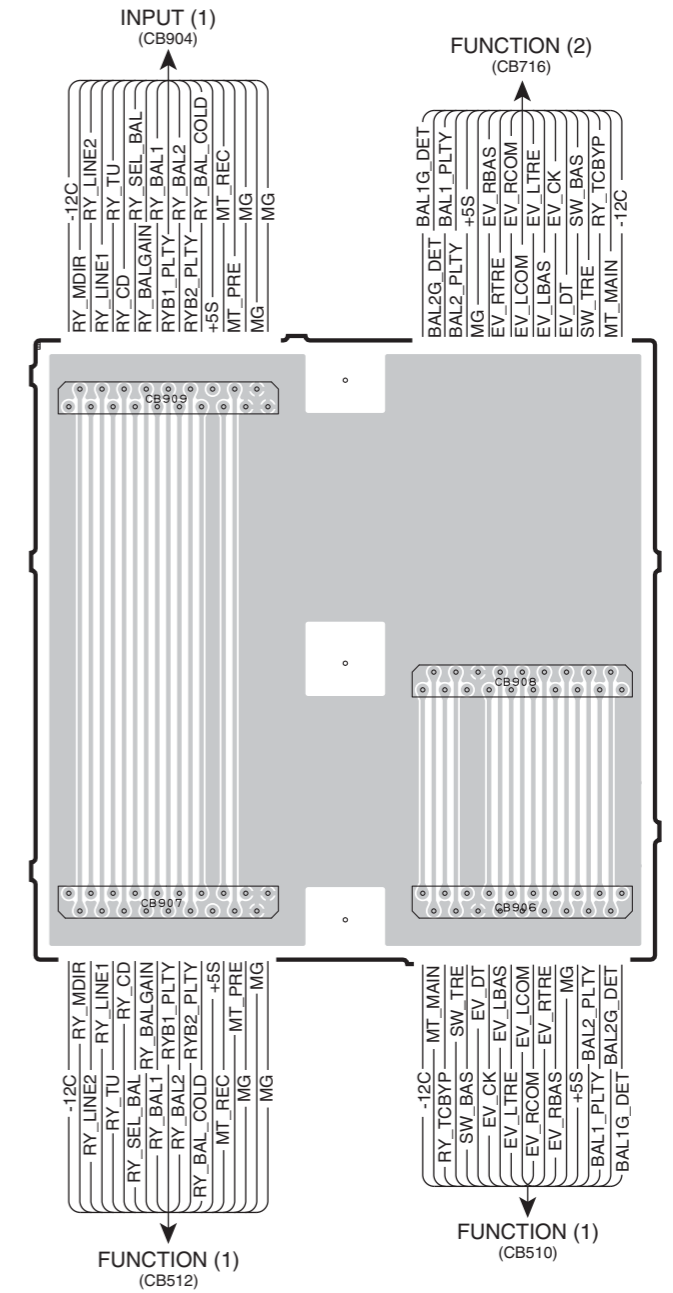
• Semiconductor Location

Ref no.	Location
D906	F5
D907	F4
D925	F4
D926	F5
D927	E4
D928	E5
Q905	I3
Q906	H3
Q907	I3
Q908	I3

INPUT (2) (Side A)



INPUT (3) (Side A)

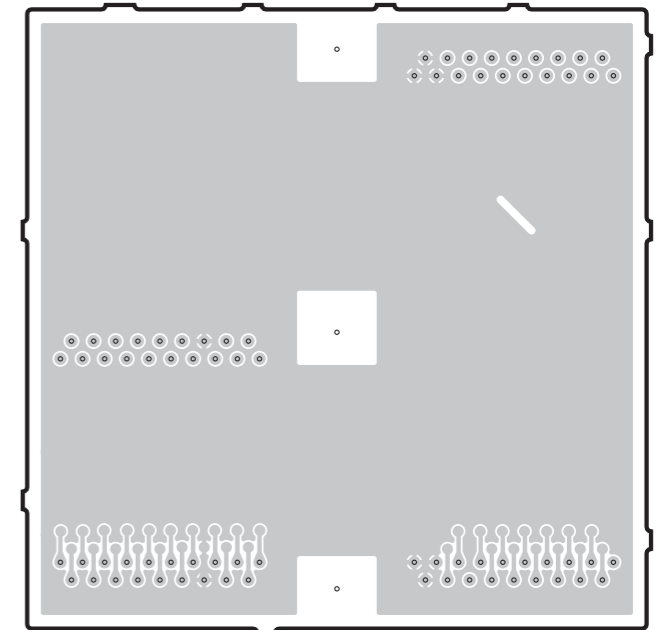
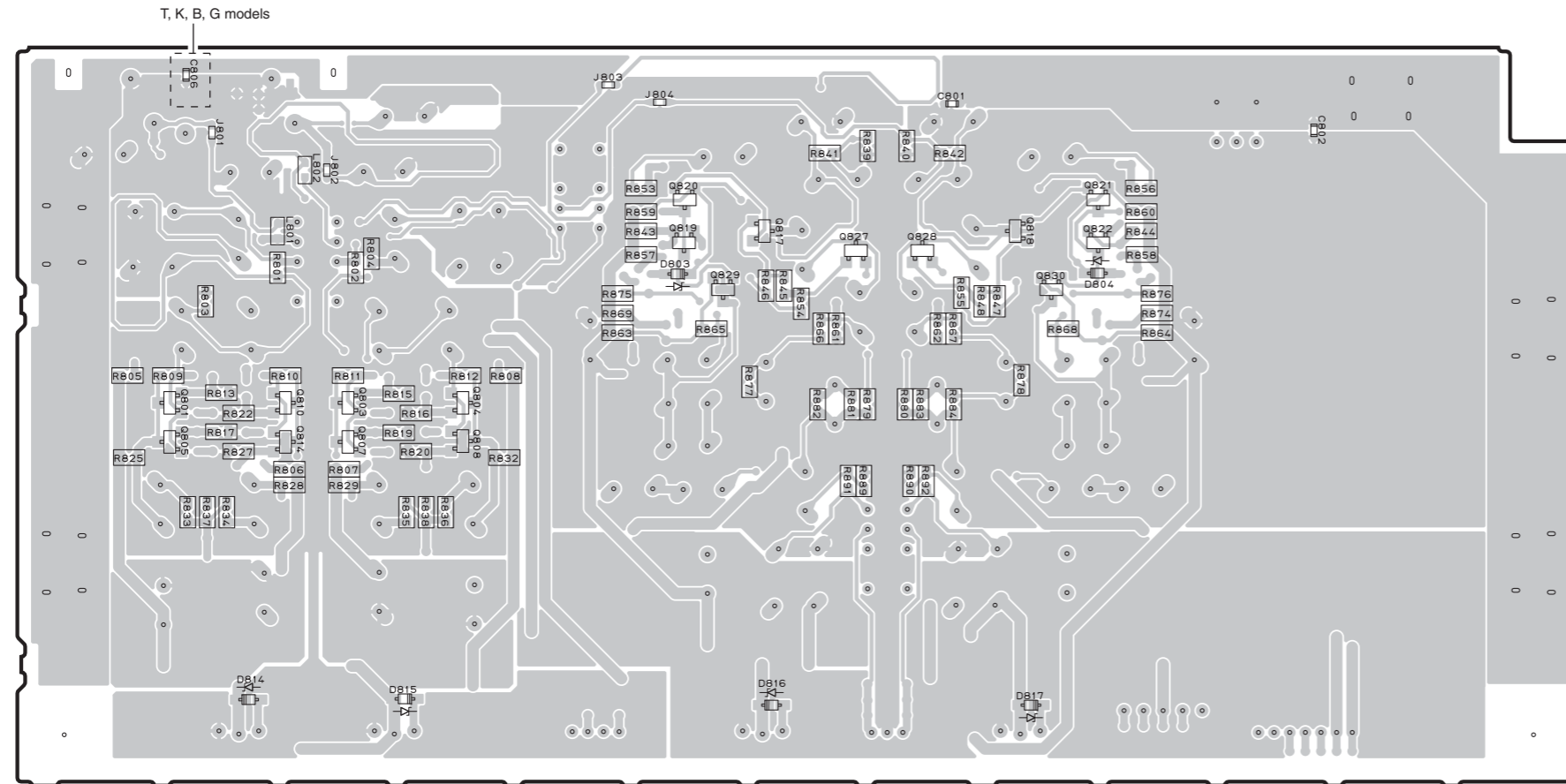


• Semiconductor Location

Ref no.	Location	Ref no.	Location	Ref no.	Location	Ref no.	Location
D807	E4	Q806	F4	Q824	D3	Q836	D4
D808	E4	Q809	F4	Q825	C3	Q837	C4
D809	C4	Q811	F4	Q826	C3	Q838	C4
D810	C4	Q812	E4	Q831	D4	Q839	F5
D811	F4	Q813	F4	Q832	C4	Q840	F5
D812	D5	Q815	F4	Q833	D4	Q841	D5
D813	E3	Q816	E4	Q834	D4	Q842	C5
Q802	F4	Q823	D3	Q835	E4		

INPUT (2) (Side B)

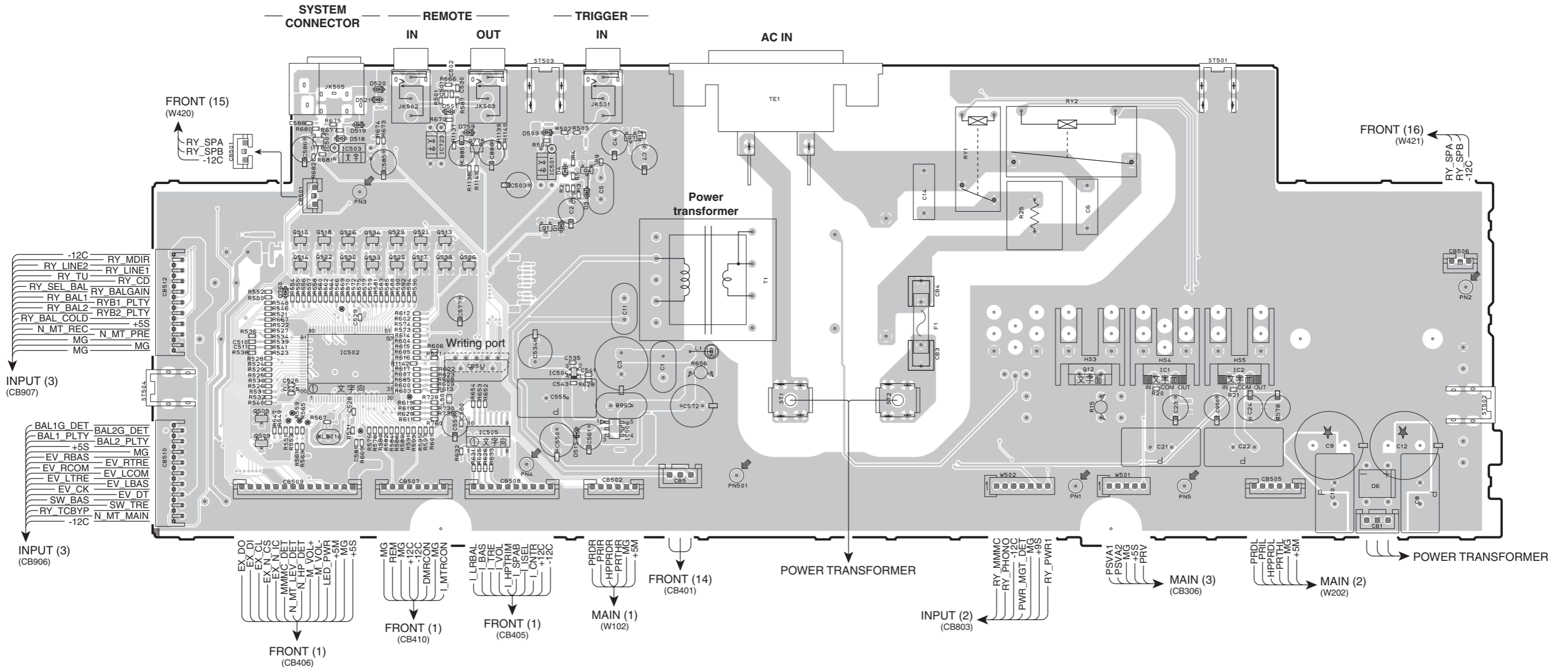
INPUT (3) (Side B)



• Semiconductor Location

Ref no.	Location	Ref no.	Location	Ref no.	Location
D803	D3	Q804	C4	Q819	D3
D804	E3	Q805	B4	Q820	D3
D814	B5	Q807	B4	Q821	E3
D815	C5	Q808	C4	Q822	E3
D816	D5	Q810	B4	Q827	D3
D817	E5	Q814	B4	Q828	E3
Q801	B4	Q817	D3	Q829	D3
Q803	B4	Q818	E3	Q830	E3

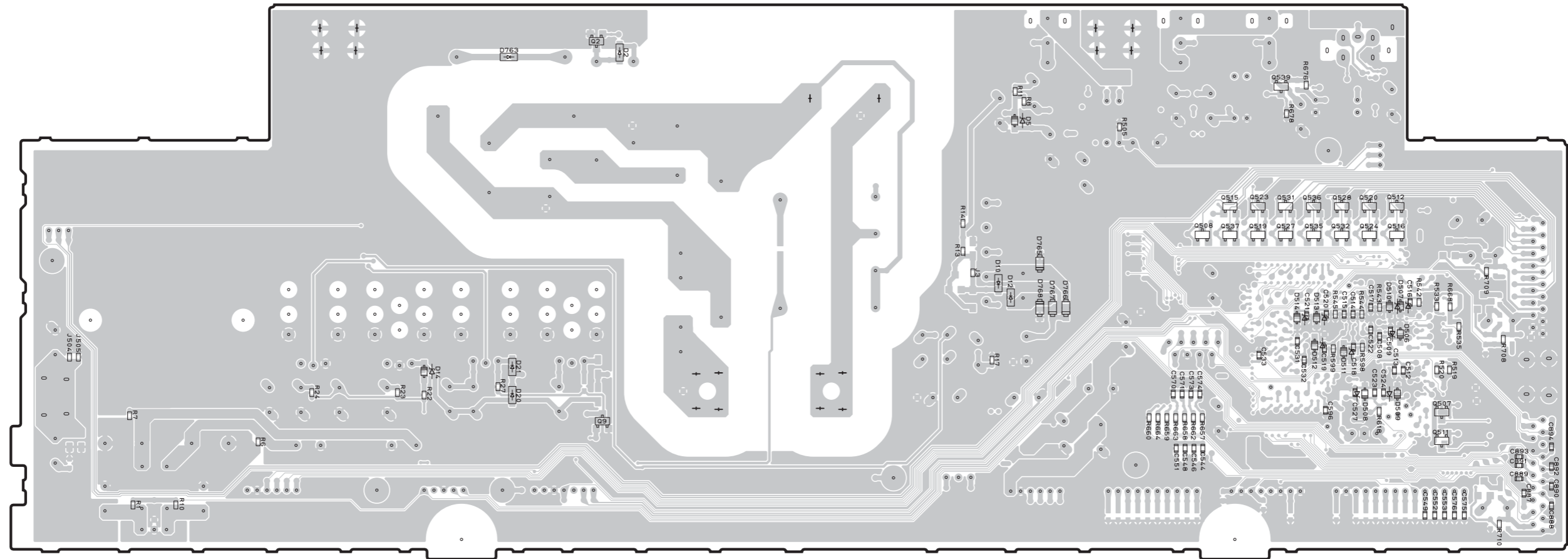
FUNCTION (1) (Side A)



• Semiconductor Location

Ref no.	Location	Ref no.	Location	Ref no.	Location	Ref no.	Location	Ref no.	Location
D1	D3	D520	C2	IC504	D4	Q505	C4	Q522	C3
D3	E3	D521	C2	IC505	D4	Q506	D3	Q525	C3
D4	D3	D759	D3	IC506	E4	Q509	C4	Q526	C3
D6	I5	D760	C4	IC507	C3	Q510	C3	Q529	C3
D501	D2	IC1	H4	IC723	D3	Q513	D3	Q530	C3
D503	D3	IC2	I4	Q1	D3	Q514	C3	Q533	C3
D515	D4	IC501	D3	Q4	E3	Q517	D3	Q534	C3
D518	C3	IC502	C4	Q7	E3	Q518	C3	Q538	D3
D519	C3	IC503	C3	Q12	H4	Q521	D3	Q775	D3

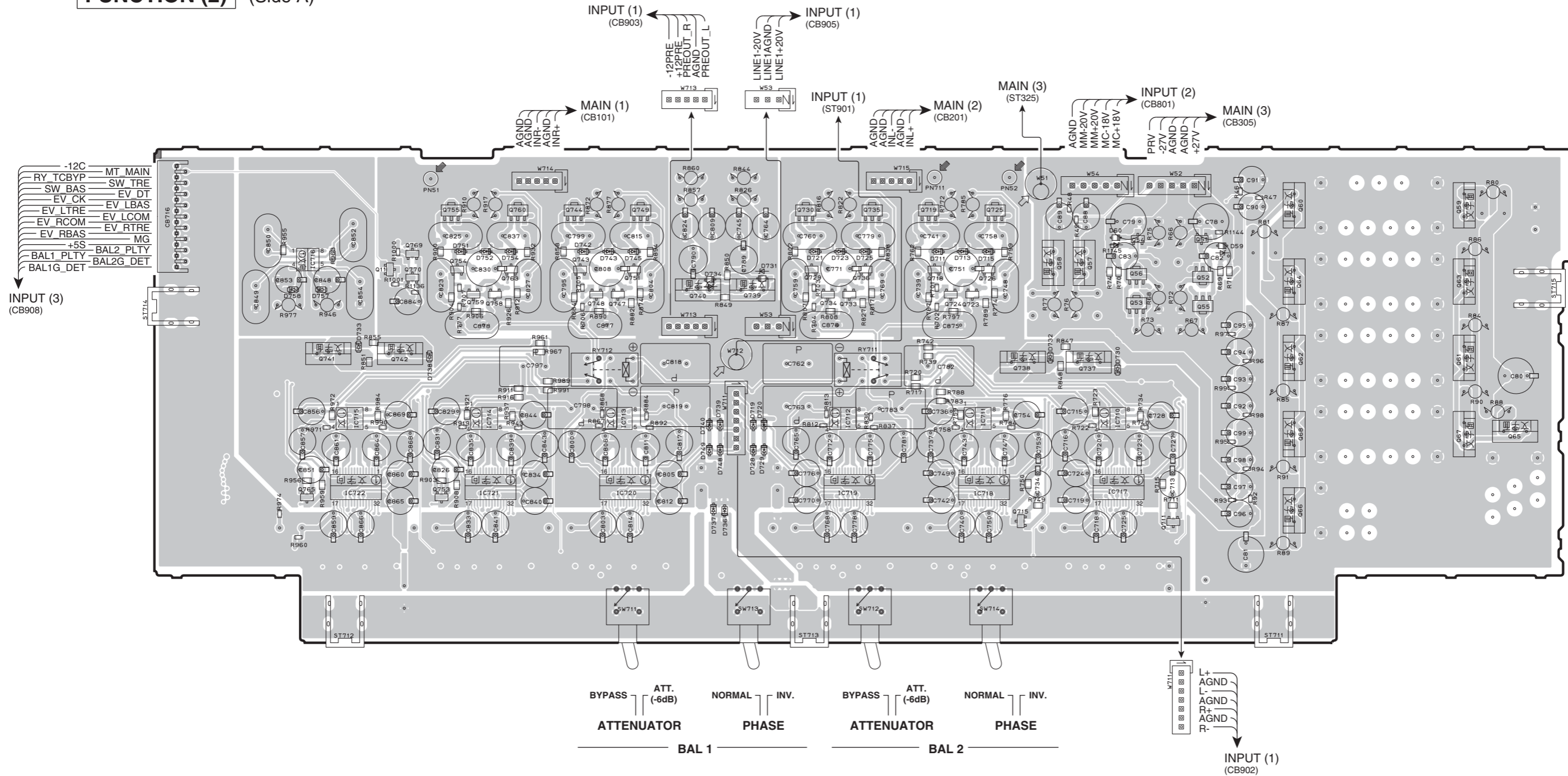
FUNCTION (1) (Side B)



• Semiconductor Location

Ref no.	Location	Ref no.	Location	Ref no.	Location	Ref no.	Location
D2	E2	D510	I4	Q9	D4	Q527	H3
D5	G3	D511	H4	Q507	I4	Q528	H3
D10	G4	D512	H4	Q508	H3	Q531	H3
D12	G4	D513	H4	Q511	I4	Q532	H3
D14	D4	D514	H4	Q512	I3	Q535	H3
D20	D4	D763	D2	Q515	H3	Q536	H3
D21	D4	D765	G4	Q516	I3	Q537	H3
D506	I4	D766	G4	Q519	H3	Q539	H3
D507	I4	D767	G4	Q520	I3		
D508	I4	D768	G4	Q523	H3		
D509	I4	Q2	D2	Q524	I3		

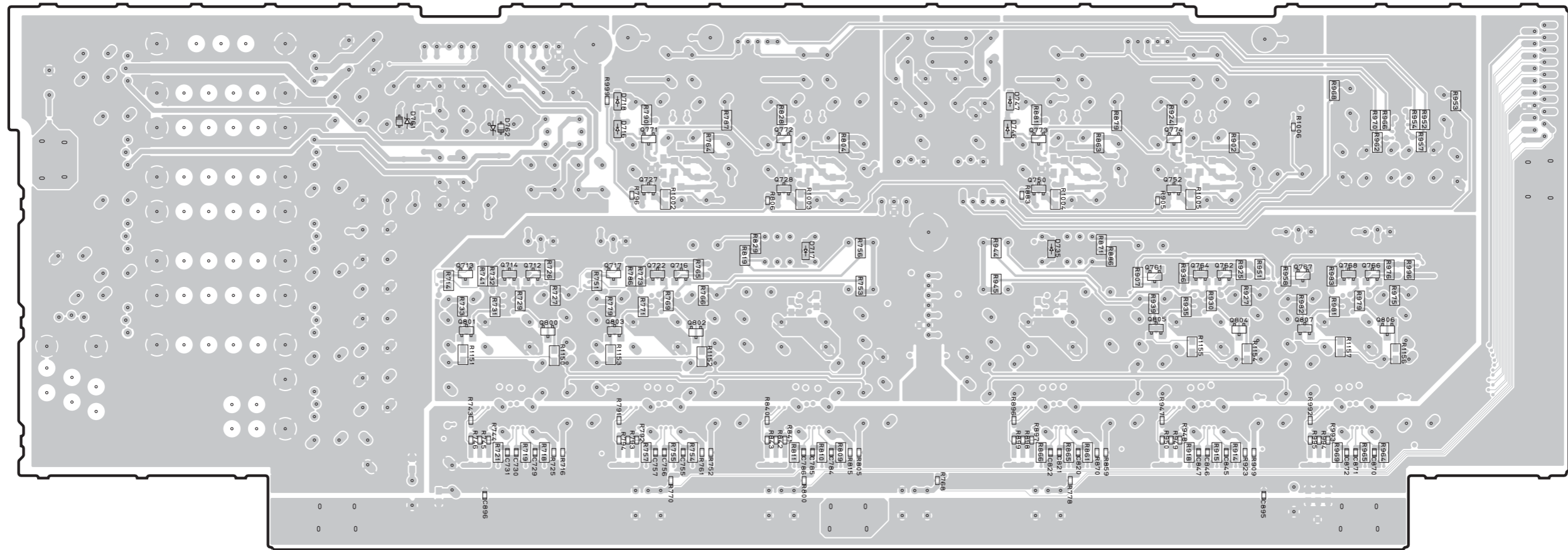
FUNCTION (2) (Side A)



• Semiconductor Location

Ref no.	Location	Ref no.	Location	Ref no.	Location	Ref no.	Location	Ref no.	Location	Ref no.	Location	Ref no.	Location	Ref no.	Location	Ref no.	Location	Ref no.	Location	Ref no.	Location	Ref no.	Location		
D59	H3	D723	F3	D734	E3	D745	E3	IC710	G4	IC718	G4	Q53	H3	Q61	I3	Q711	H4	Q729	F3	Q739	E3	Q749	E3	Q763	D3
D60	G3	D725	F3	D736	E4	D748	E4	IC711	G4	IC719	F4	Q54	H3	Q62	H3	Q715	G4	Q730	F3	Q740	E3	Q751	E3	Q765	C4
D711	F3	D728	E4	D737	E4	D749	E4	IC712	F4	IC720	E4	Q55	H3	Q63	I3	Q718	F3	Q733	F3	Q741	C3	Q753	C4	Q769	C3
D715	G3	D729	E4	D738	C3	D751	D3	IC713	E4	IC721	D4	Q56	H3	Q64	H3	Q719	F3	Q734	F3	Q742	C3	Q754	D3	Q770	C3
D719	E4	D730	G4	D739	E4	D752	D3	IC714	D4	IC722	C4	Q57	G3	Q65	J4	Q723	G3	Q735	F3	Q743	D3	Q755	D3		
D720	E4	D731	E3	D740	E4	D754	D3	IC715	C4	Q11	C3	Q58	G3	Q66	H4	Q724	F3	Q736	F3	Q744	D3	Q758	D3		
D721	F3	D732	G3	D742	D3	D757	C3	IC716	C3	Q51	H3	Q59	I3	Q67	I4	Q725	G3	Q737	G4	Q747	E3	Q759	D3		
		D733	C3	D743	D3	D758	C3	IC717	G4	Q52	H3	Q60	H3	Q68	H4	Q726	G3	Q738	G4	Q748	D3	Q760	D3		

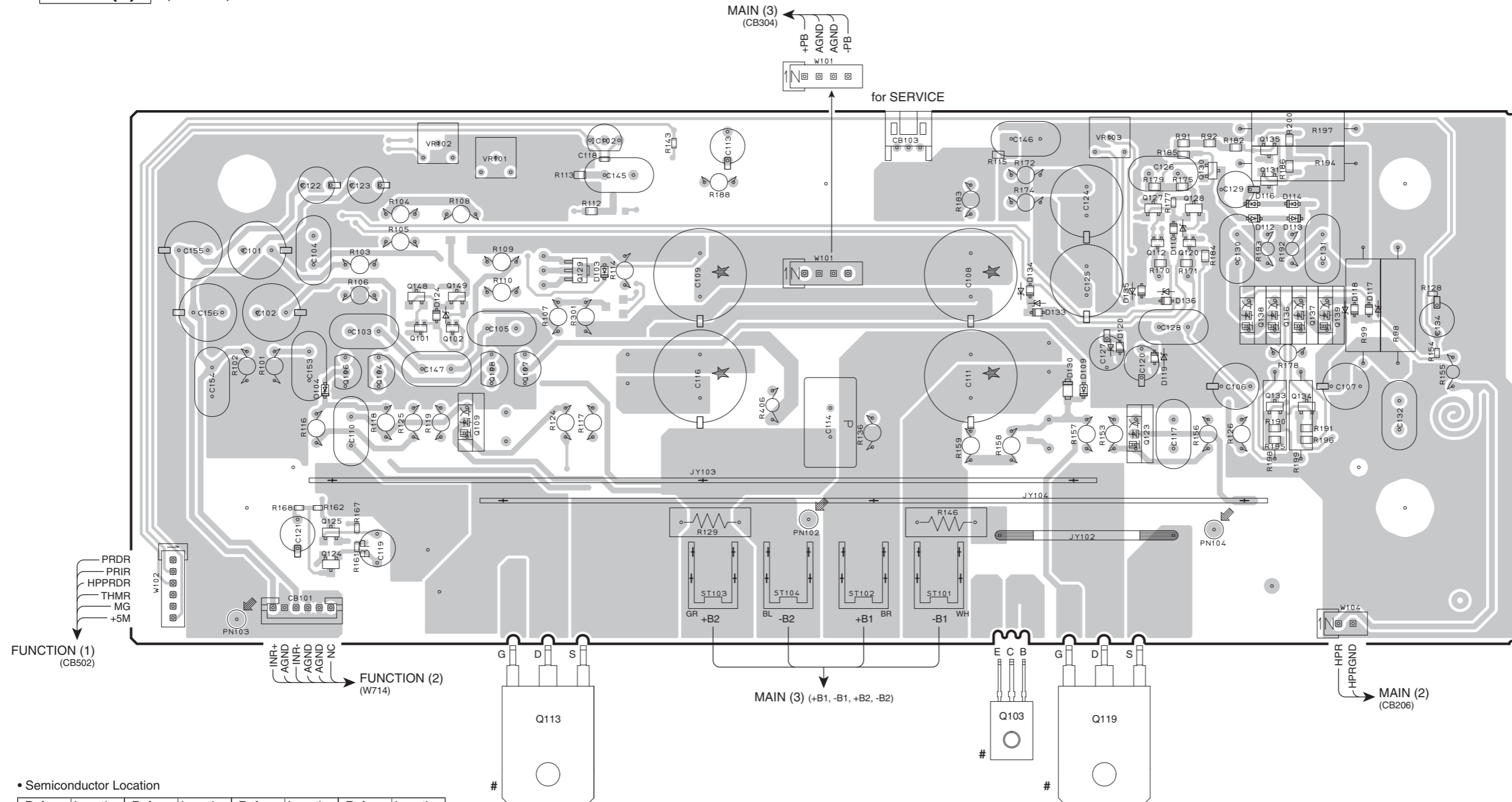
FUNCTION (2) (Side B)



• Semiconductor Location

Ref no.	Location	Ref no.	Location	Ref no.	Location
D716	D3	Q717	D4	Q771	E3
D717	E4	Q722	E4	Q772	E3
D718	D3	Q727	E3	Q773	G3
D735	G4	Q728	E3	Q774	G3
D746	F3	Q750	G3	Q800	D4
D747	F3	Q752	G3	Q801	D4
D761	C3	Q761	G4	Q802	E4
D762	D3	Q762	H4	Q803	D4
Q712	D4	Q764	G4	Q804	H4
Q713	D4	Q766	H4	Q805	G4
Q714	D4	Q767	H4	Q806	H4
Q716	E4	Q768	H4	Q807	H4

MAIN (1) (Side A)



• Semiconductor Location

Ref no.	Location	Ref no.	Location	Ref no.	Location	Ref no.	Location
D103	E3	D124	D3	Q108	D3	Q130	H2
D104	C4	D130	G4	Q109	D4	Q131	H2
D109	G4	D133	G3	Q112	H3	Q133	H4
D110	H3	D134	G3	Q113	D5	Q134	H4
D112	H3	D135	H3	Q119	G5	Q135	H2
D113	H3	D136	H3	Q120	H3	Q136	H3
D114	H3	IC102	E2	Q123	H4	Q137	H3
D116	H3	Q101	D3	Q124	C5	Q138	H3
D117	I3	Q102	D3	Q125	C4	Q139	I3
D118	I3	Q104	C4	Q127	H3	Q148	C3
D119	H3	Q106	C4	Q128	H3	Q149	D3
D120	G3	Q107	D3	Q129	D3		

Note) Those parts marked with “#” are not included in the P.C.B. assembly. / マーク#の部品は、P.C.B. Ass'yに含まれません

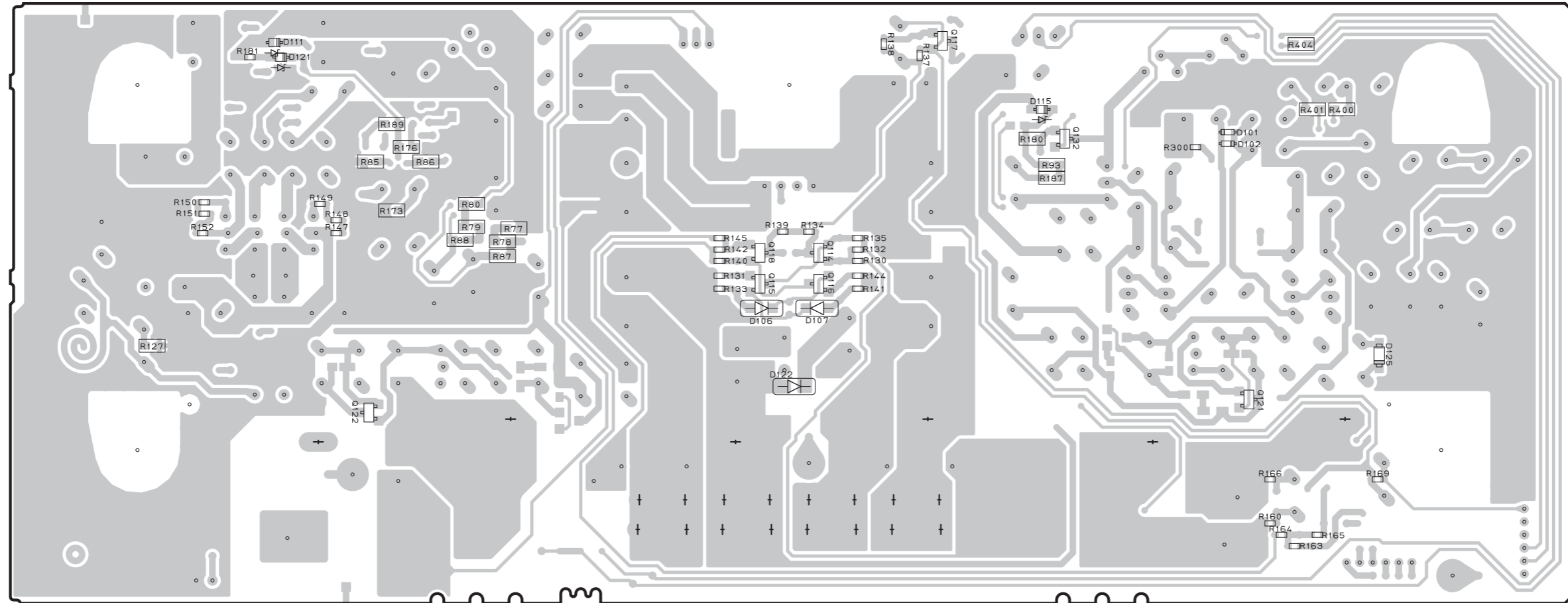
Safety measures

- Some internal parts in this product contain high voltages and are dangerous. Be sure to take safety measures during servicing, such as wearing insulating gloves.
- Note that the capacitors indicated below are dangerous even after the power is turned off because an electric charge remains and a high voltage continues to exist there. Before starting any repair work, connect a discharging resistor (5 k-ohms/10 W) to the terminals of each capacitor indicated below to discharge electricity. The time required for discharging is about 30 seconds per each. ±B1, ±B2 on MAIN (1) P.C.B.

安全対策

- この製品の内部には高電圧部分があり危険です。修理の際は、絶縁性の手袋を使用するなどの安全対策を行ってください。
- 下記のコンデンサには電源をOFFにした後も電荷が残り、高電圧が維持されており危険です。修理作業前に放電用抵抗(5kΩ/10W)を下記の各コンデンサの端子間に接続して放電してください。放電所用時間は各々約30秒間です。MAIN (1) P.C.B.の±B1、±B2

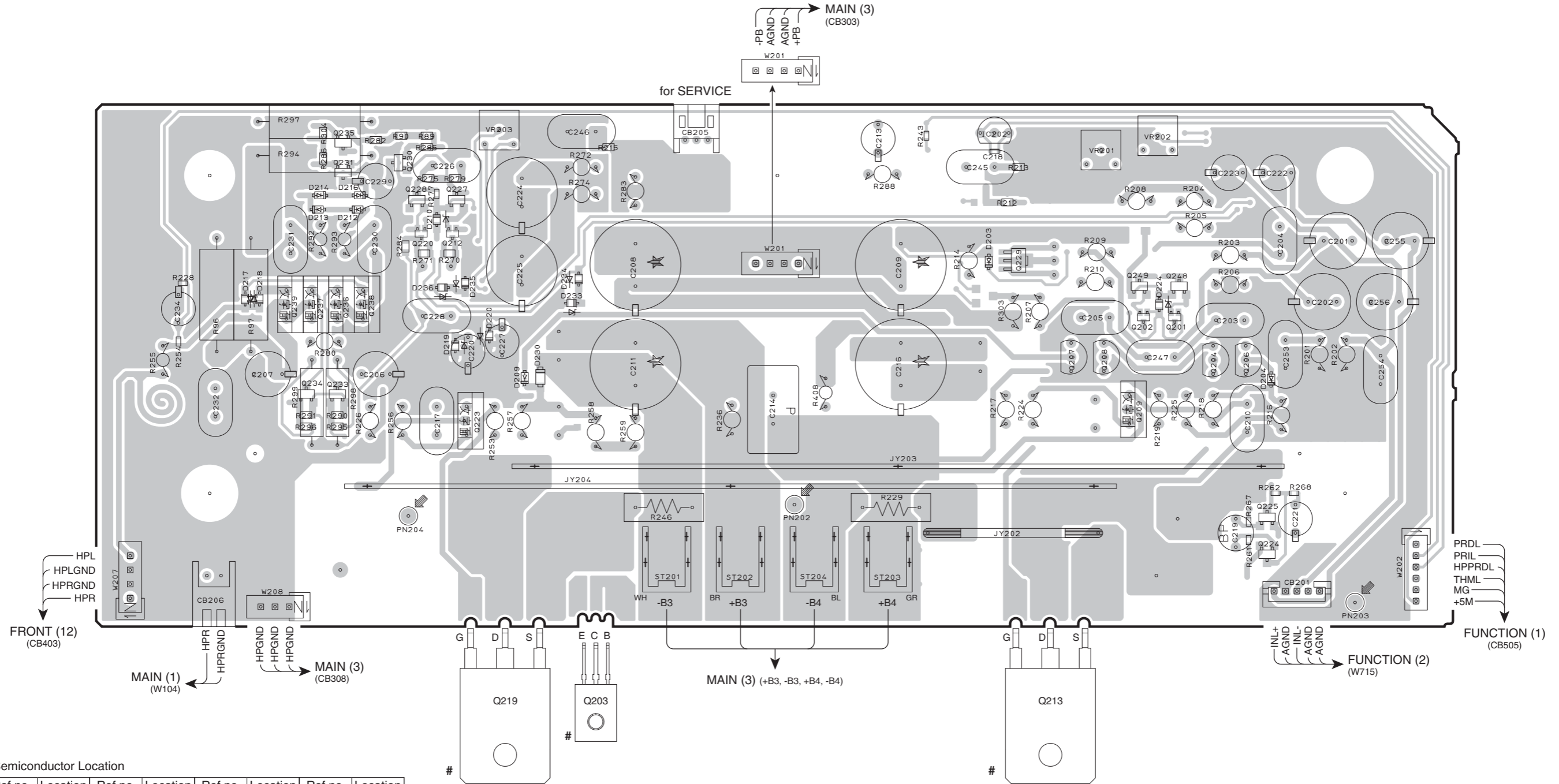
MAIN (1) (Side B)



• Semiconductor Location

Ref no.	Location	Ref no.	Location
D101	G3	Q114	E3
D102	G3	Q115	E3
D106	E4	Q116	E3
D107	E4	Q117	F2
D111	C2	Q118	E3
D115	F3	Q121	H4
D121	C2	Q122	C4
D122	E4	Q132	G3
D125	H4		

MAIN (2) (Side A)



• Semiconductor Location

Ref no.	Location	Ref no.	Location	Ref no.	Location	Ref no.	Location
D203	G3	D224	H3	Q208	H3	Q230	D2
D204	I4	D230	D4	Q209	H4	Q231	C2
D209	D4	D233	E3	Q212	D3	Q233	C4
D210	D3	D234	E3	Q213	G3	Q234	C4
D212	C3	D235	D3	Q219	D5	Q235	C2
D213	C3	D236	D3	Q220	D3	Q236	C3
D214	C3	IC202	G2	Q223	D4	Q237	C3
D216	C3	Q201	H3	Q224	I5	Q238	C3
D217	C3	Q202	H3	Q225	I4	Q239	C3
D218	C3	Q204	H3	Q227	D3	Q248	H3
D219	D3	Q206	H3	Q228	D3	Q249	H3
D220	D3	Q207	G3	Q229	G3		

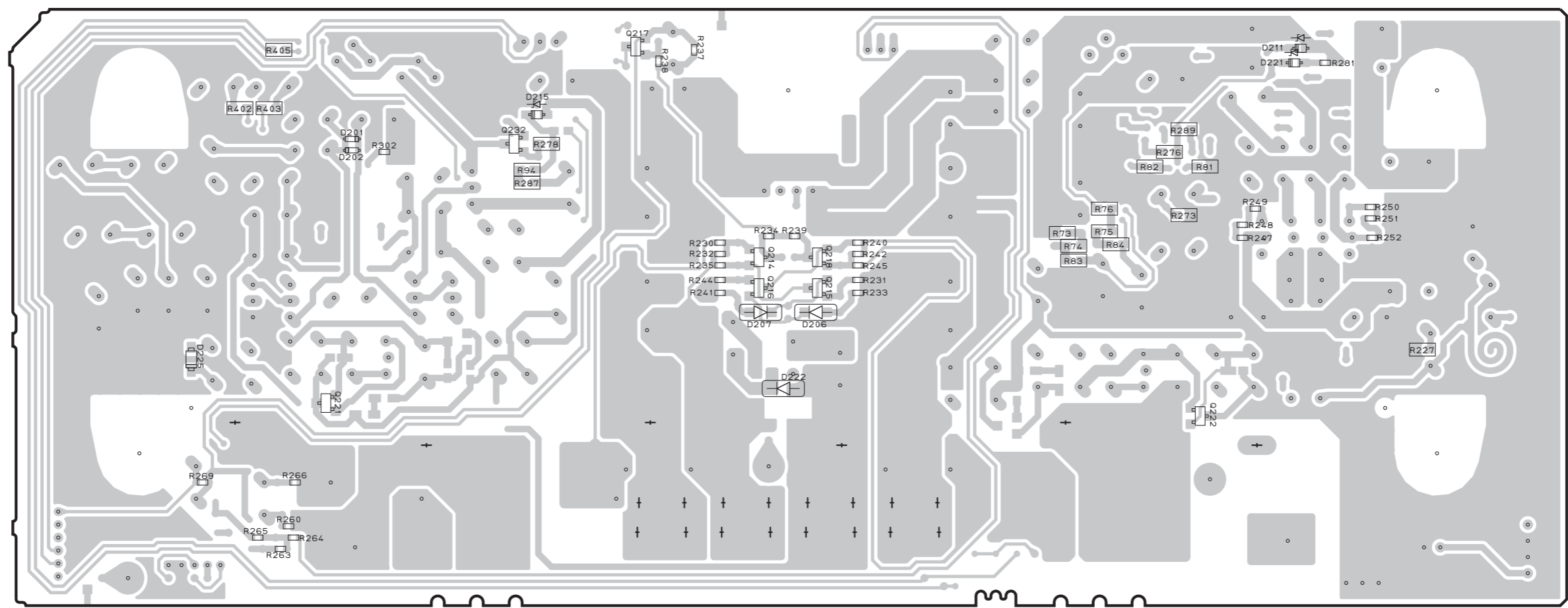
Safety measures

- Some internal parts in this product contain high voltages and are dangerous. Be sure to take safety measures during servicing, such as wearing insulating gloves.
- Note that the capacitors indicated below are dangerous even after the power is turned off because an electric charge remains and a high voltage continues to exist there. Before starting any repair work, connect a discharging resistor (5 k-ohms/10 W) to the terminals of each capacitor indicated below to discharge electricity. The time required for discharging is about 30 seconds per each. ±B3, ±B4 on MAIN (2) P.C.B.

安全対策

- この製品の内部には高電圧部分があり危険です。修理の際は、絶縁性の手袋を使用するなどの安全対策を行ってください。
- 下記のコンデンサには電源をOFFにした後も電荷が残り、高電圧が維持されており危険です。修理作業前に放電用抵抗 (5 k Ω / 10 W) を下記の各コンデンサの端子間に接続して放電してください。放電所用時間は各々約 30 秒間です。MAIN (2) P.C.B.の ± B3、± B4

MAIN (2) (Side B)



• Semiconductor Location

Ref no.	Location	Ref no.	Location
D201	C3	Q214	E3
D202	C3	Q215	E3
D206	E4	Q216	E3
D207	E4	Q217	D2
D211	H2	Q218	E3
D215	D3	Q221	C4
D221	H2	Q222	G4
D222	E4	Q232	D3
D225	B4		

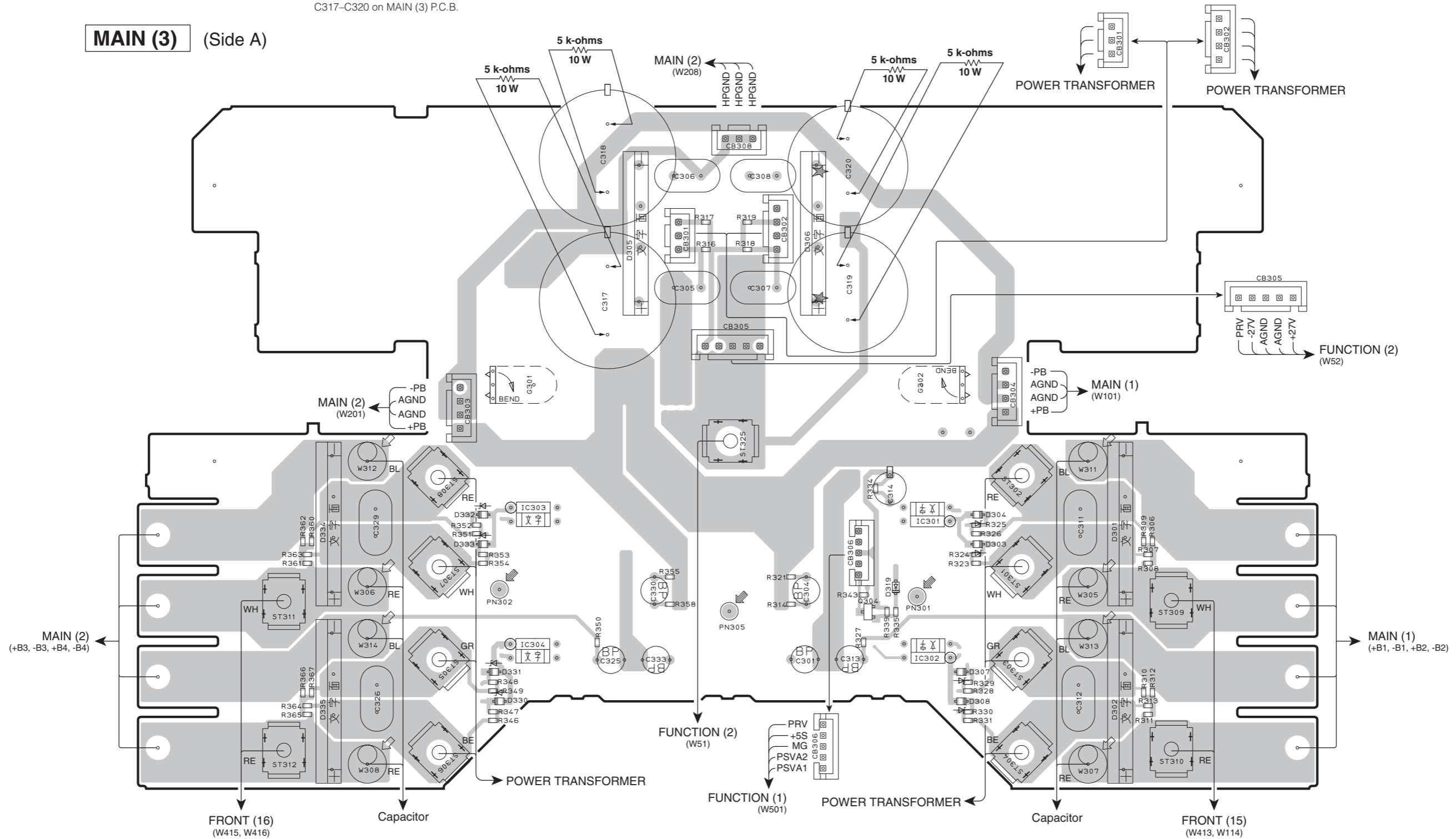
Safety measures

- Some internal parts in this product contain high voltages and are dangerous. Be sure to take safety measures during servicing, such as wearing insulating gloves.
- Note that the capacitors indicated below are dangerous even after the power is turned off because an electric charge remains and a high voltage continues to exist there. Before starting any repair work, connect a discharging resistor (5 k-ohms/10 W) to the terminals of each capacitor indicated below to discharge electricity. The time required for discharging is about 30 seconds per each. C317~C320 on MAIN (3) P.C.B.

安全対策

- この製品の内部には高電圧部分があり危険です。修理の際は、絶縁性の手袋を使用するなどの安全対策を行ってください。
- 下記のコンデンサには電源をOFFにした後も電荷が残り、高電圧が維持されており危険です。修理作業前に放電用抵抗 (5 kΩ /10 W) を下記の各コンデンサの端子間に接続して放電してください。放電所用時間は各々約 30 秒間です。MAIN (3) P.C.B. の C317~C320

MAIN (3) (Side A)



• Semiconductor Location

Ref no.	Location	Ref no.	Location	Ref no.	Location	Ref no.	Location	Ref no.	Location
D301	H4	D307	G5	D307	G5	D333	D4	IC304	D5
D302	H5	D308	G5	D308	G5	D334	C4	Q304	F5
D303	G4	D303	G4	D319	G5	D335	C5		
D304	G4	D304	G4	D330	D5	IC301	G4		
D305	E3	D305	E3	D331	D5	IC302	G5		
D306	F3	D306	F3	D332	D4	IC303	D4		

1

MAIN (3) (Side B)

2

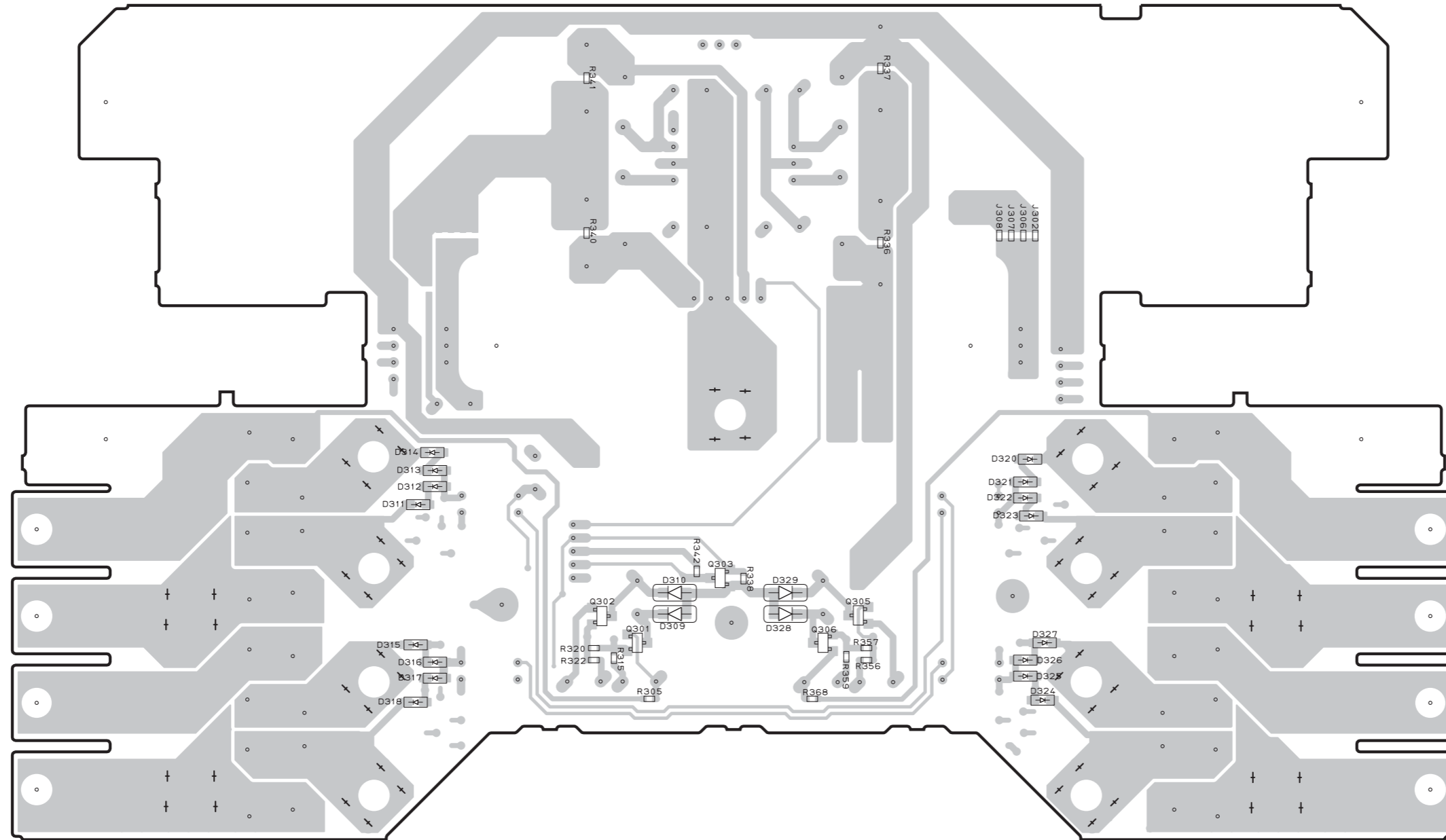
3

4

5

6

7



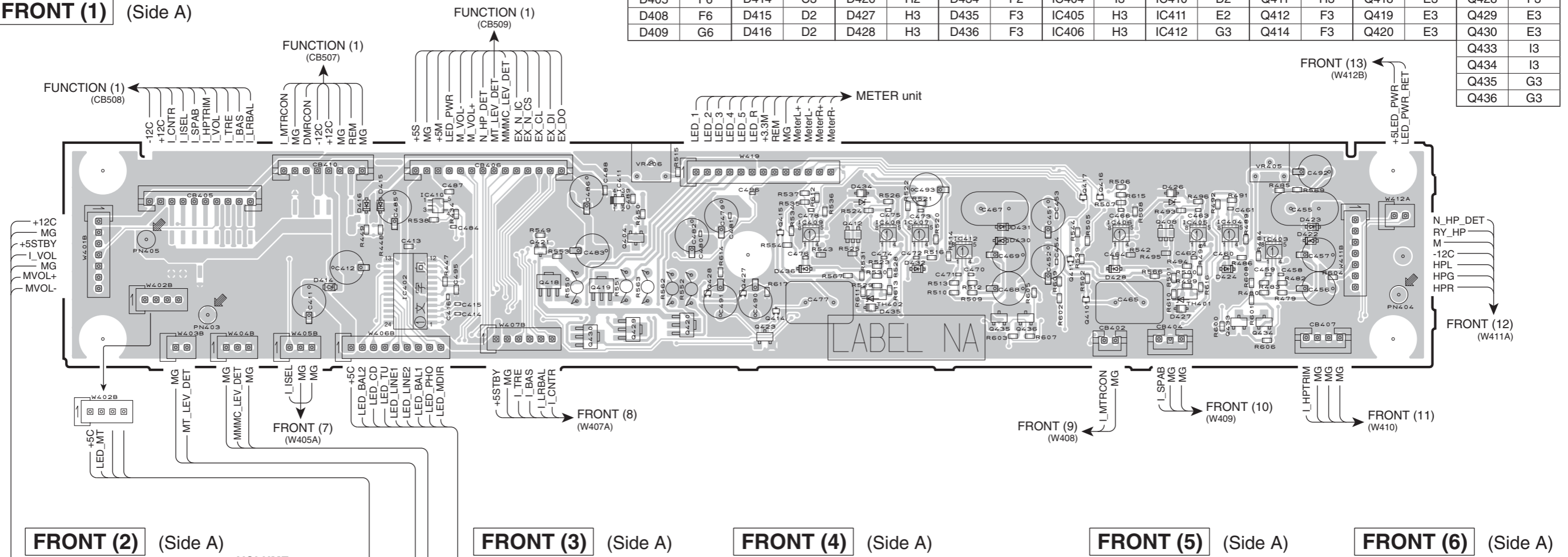
• Semiconductor Location

Ref no.	Location
D309	E5
D310	E5
D309	E5
D310	E5
D311	D4
D312	D4
D313	D4
D314	D4
D315	D5
D316	D5
D317	D5
D318	D5
D320	G4
D321	F4
D322	F4
D323	G4
D324	G5
D325	G5
D326	G5
D327	G5
D328	E5
D329	E5
Q301	E5
Q302	D5
Q303	E5
Q305	F5
Q306	F5

• Semiconductor Location

Ref no.	Location	Ref no.	Location	Ref no.	Location	Ref no.	Location	Ref no.	Location	Ref no.	Location	Ref no.	Location	Ref no.	Location	Ref no.	Location
D402	F6	D410	G6	D422	I3	D430	G3	IC401	B6	IC407	G3	Q404	E3	Q415	F3	Q421	E3
D403	E6	D412	F6	D423	I3	D431	G3	IC402	D3	IC408	G3	Q408	H3	Q416	H2	Q423	F3
D404	G6	D413	F6	D424	I3	D432	G3	IC403	I3	IC409	F3	Q410	H3	Q417	H2	Q427	F3
D405	F6	D414	C3	D426	H2	D434	F2	IC404	I3	IC410	D2	Q411	H3	Q418	E3	Q428	F3
D408	F6	D415	D2	D427	H3	D435	F3	IC405	H3	IC411	E2	Q412	F3	Q419	E3	Q429	E3
D409	G6	D416	D2	D428	H3	D436	F3	IC406	H3	IC412	G3	Q414	F3	Q420	E3	Q430	E3
																Q433	I3
																Q434	I3
																Q435	G3
																Q436	G3

FRONT (1) (Side A)



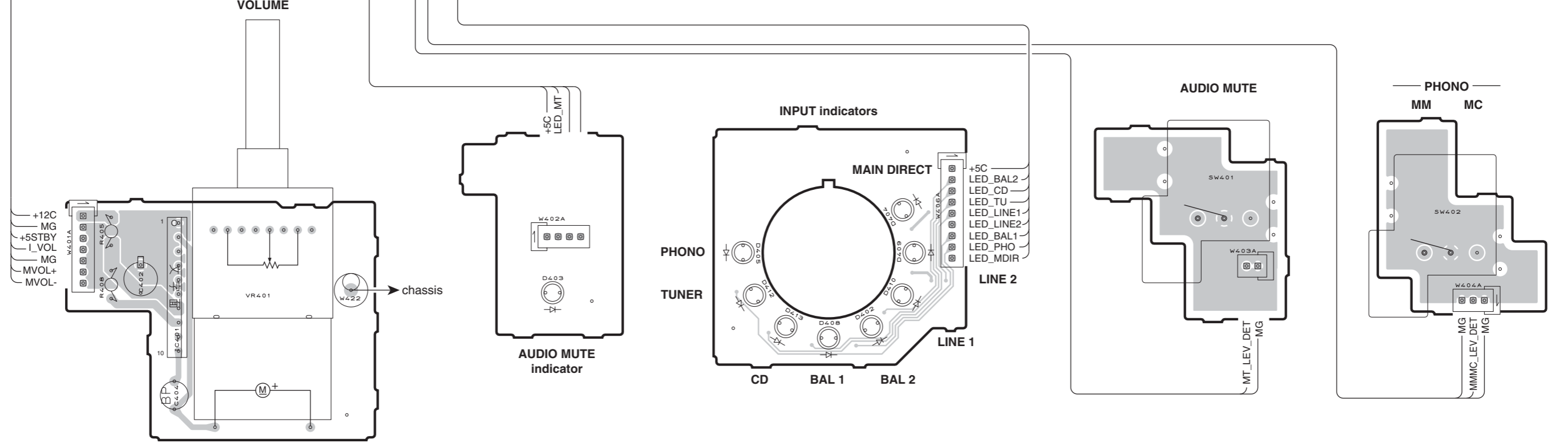
FRONT (2) (Side A)

FRONT (3) (Side A)

FRONT (4) (Side A)

FRONT (5) (Side A)

FRONT (6) (Side A)



1

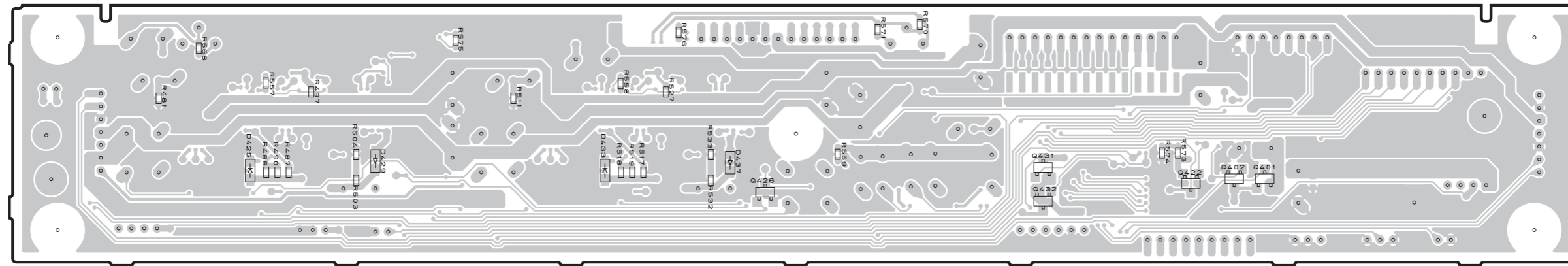
FRONT (1) (Side B)

• Semiconductor Location

Ref no.	Location	Ref no.	Location
D401	B6	Q401	H3
D425	B3	Q402	G3
D429	C3	Q422	G3
D433	D3	Q426	E3
D437	E3	Q431	F3
D438	A6	Q432	F3
D439	A6		

2

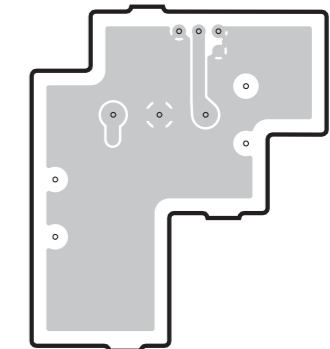
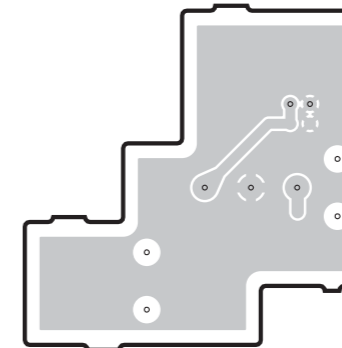
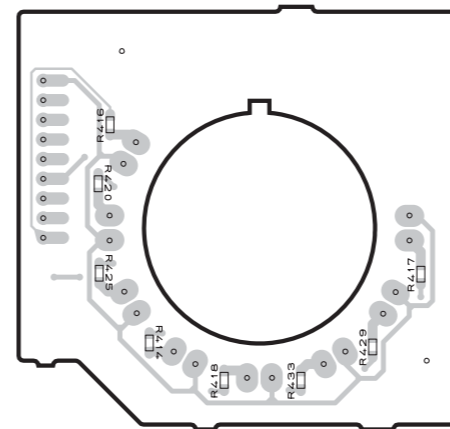
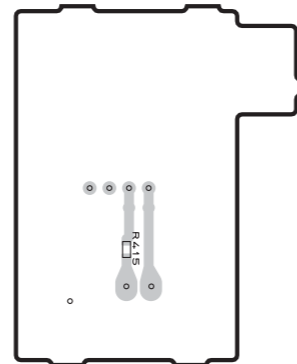
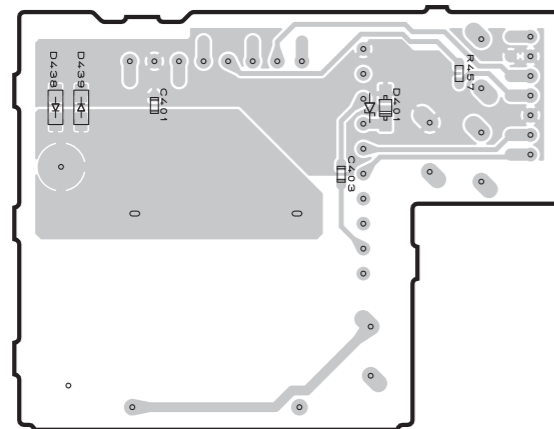
3



4

FRONT (2) (Side B)**FRONT (3)** (Side B)**FRONT (4)** (Side B)**FRONT (5)** (Side B)**FRONT (6)** (Side B)

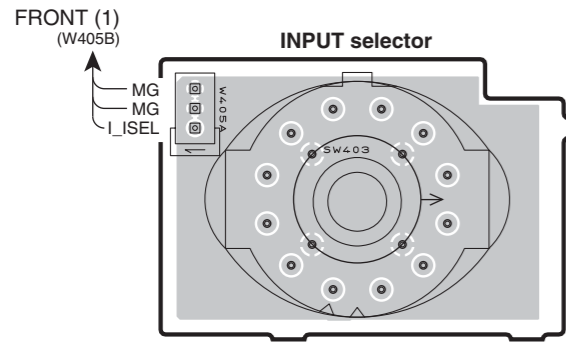
5



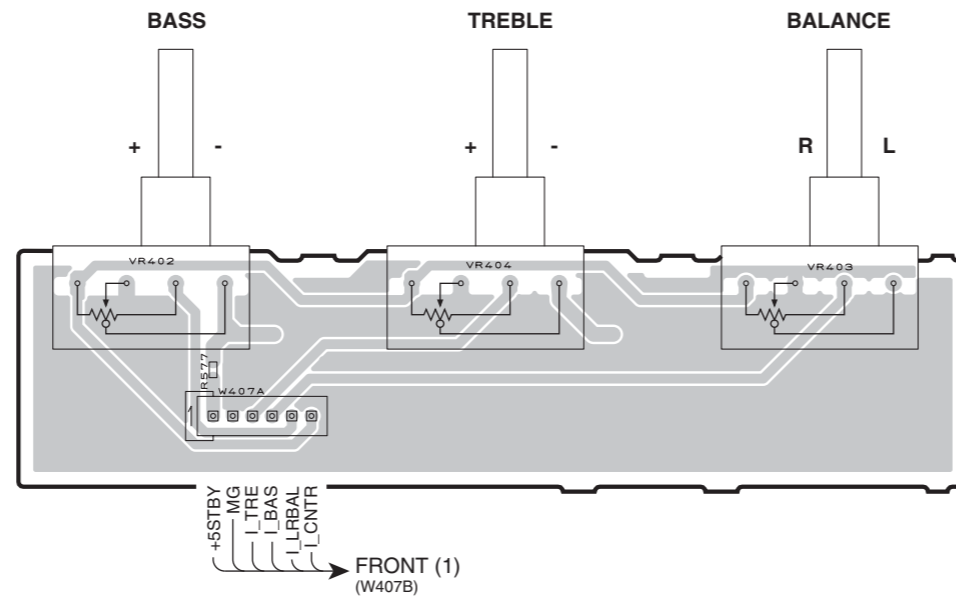
6

7

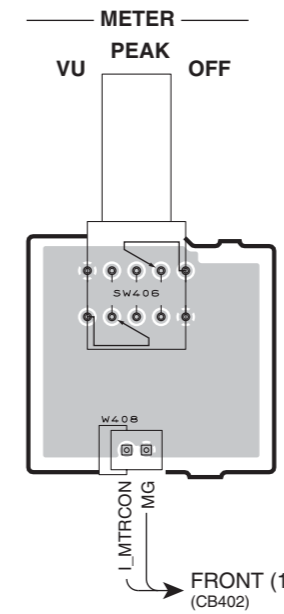
FRONT (7) (Side A)



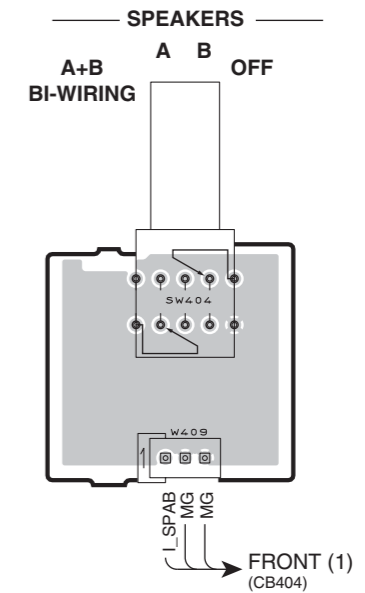
FRONT (8) (Side A)



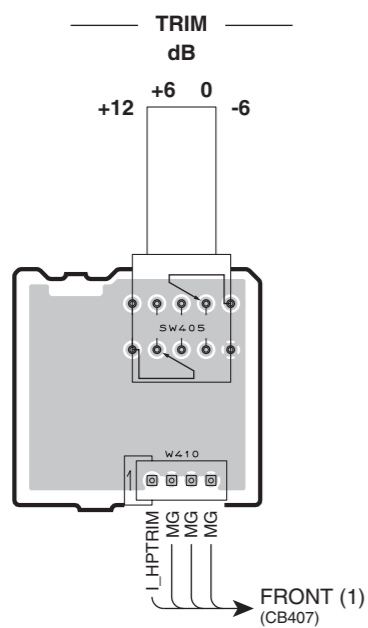
FRONT (9) (Side A)



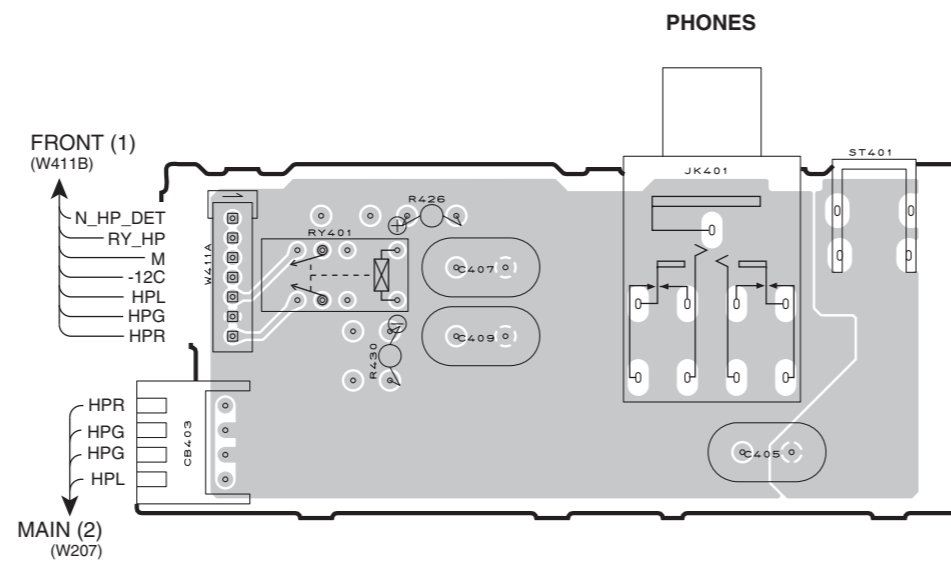
FRONT (10) (Side A)



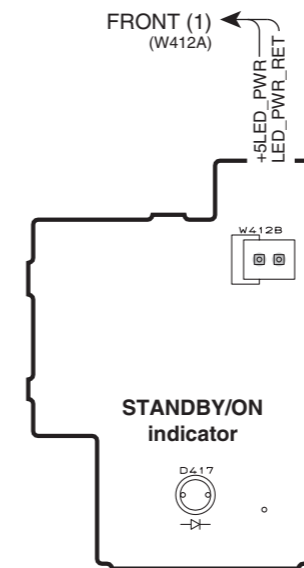
FRONT (11) (Side A)



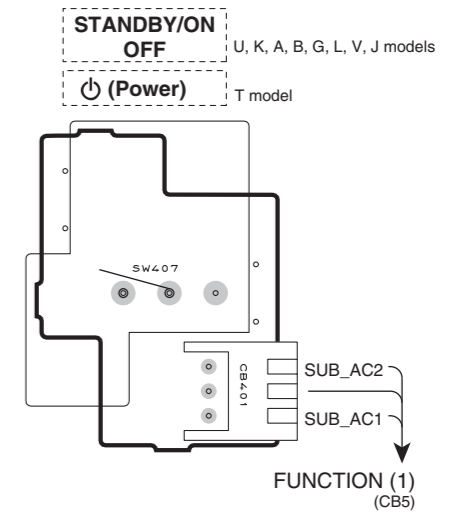
FRONT (12) (Side A)



FRONT (13) (Side A)



FRONT (14) (Side A)

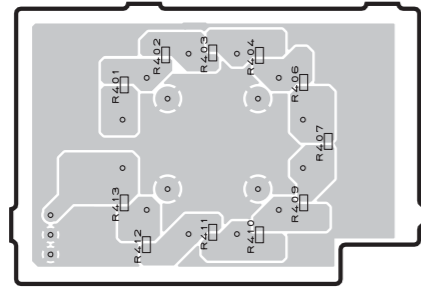


• Semiconductor Location

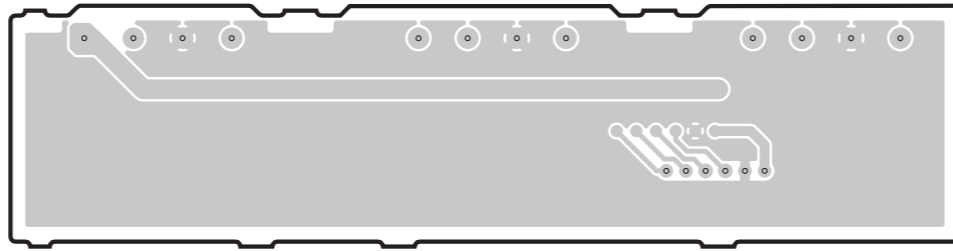
Ref no.	Location
D417	H6

1
2
3
4
5
6
7

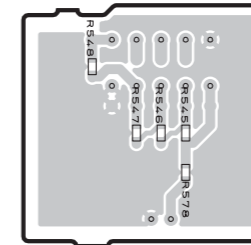
FRONT (7) (Side B)



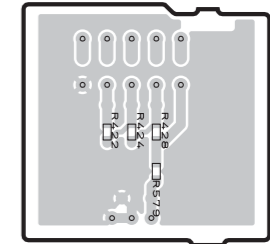
FRONT (8) (Side B)



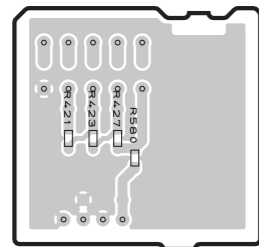
FRONT (9) (Side B)



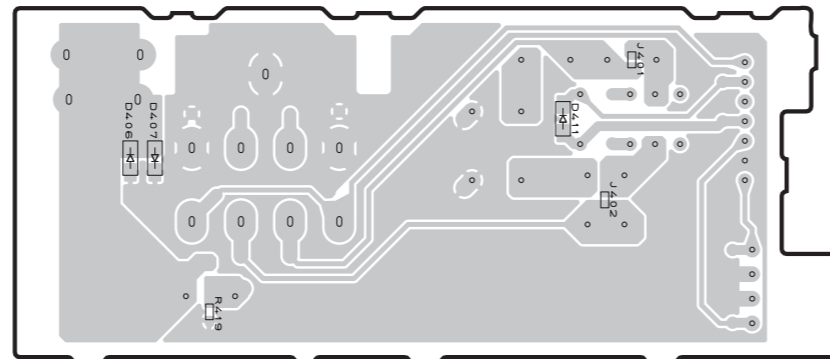
FRONT (10) (Side B)



FRONT (11) (Side B)



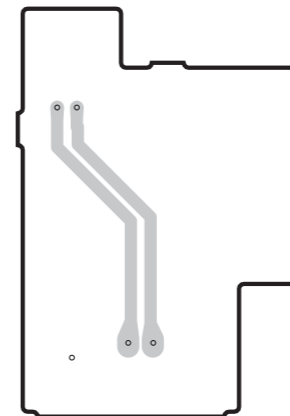
FRONT (12) (Side B)



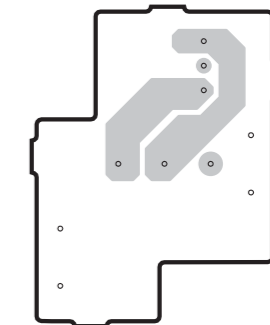
• Semiconductor Location

Ref no.	Location
D406	D6
D407	D6
D411	E6

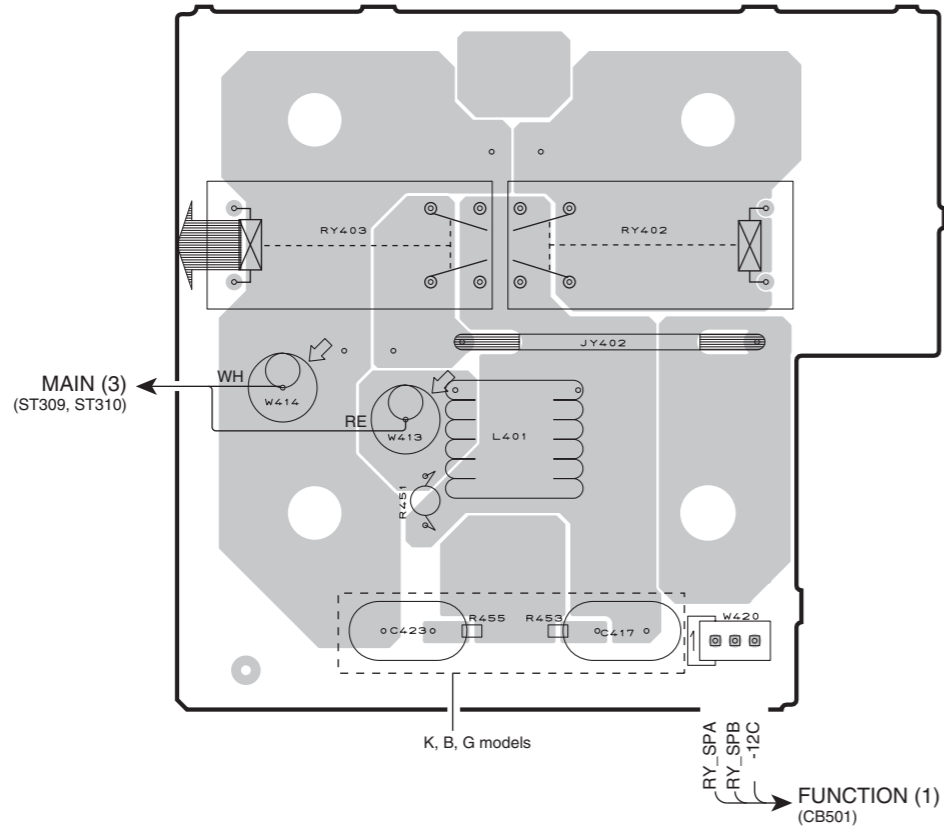
FRONT (13) (Side B)



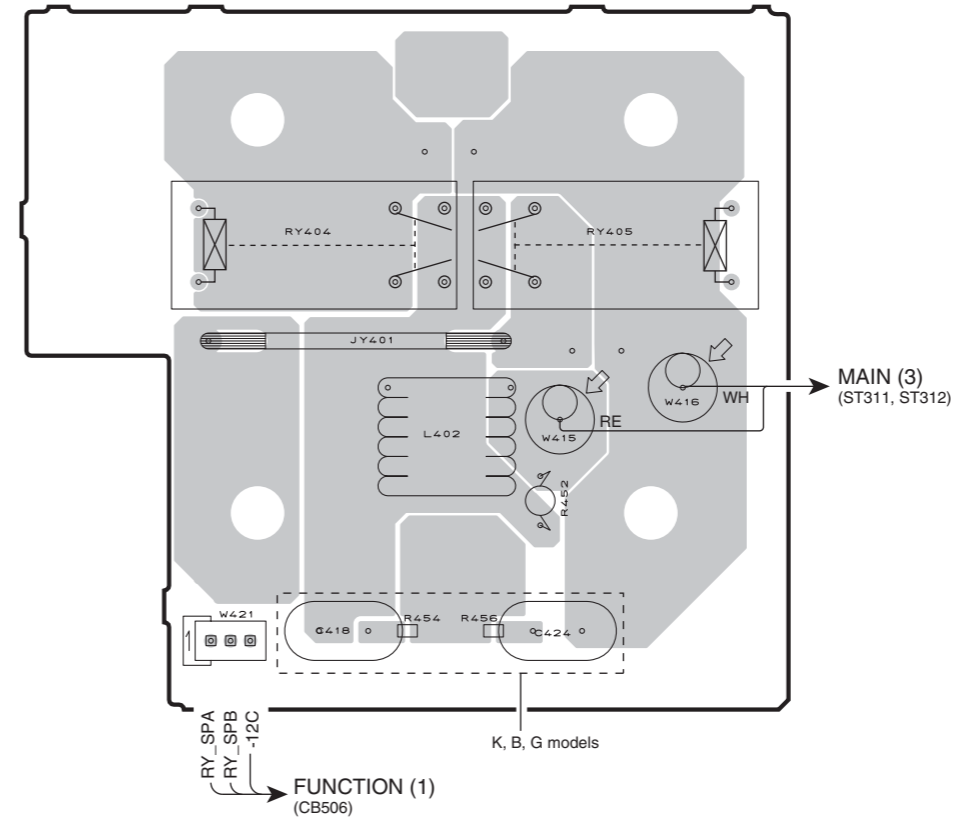
FRONT (14) (Side B)



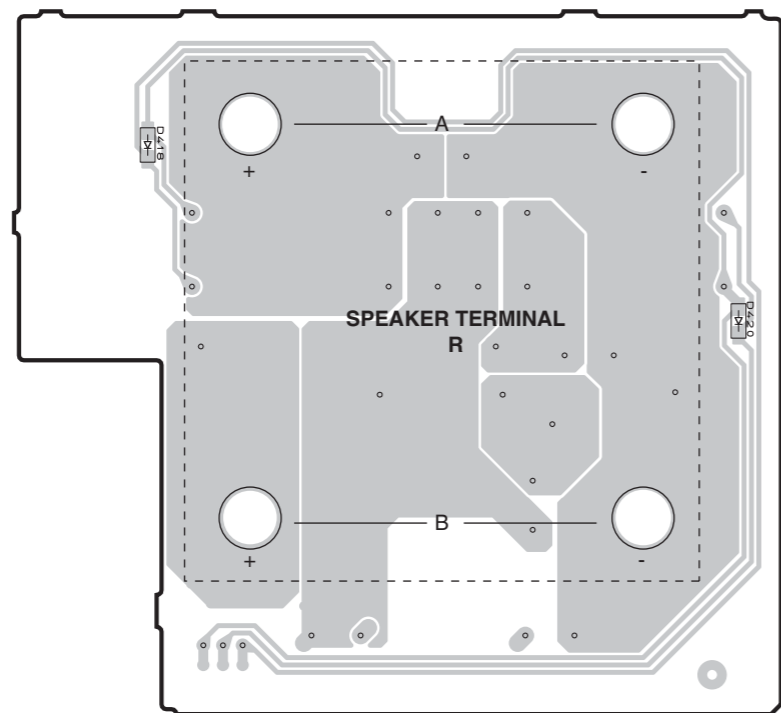
FRONT (15) (Side A)



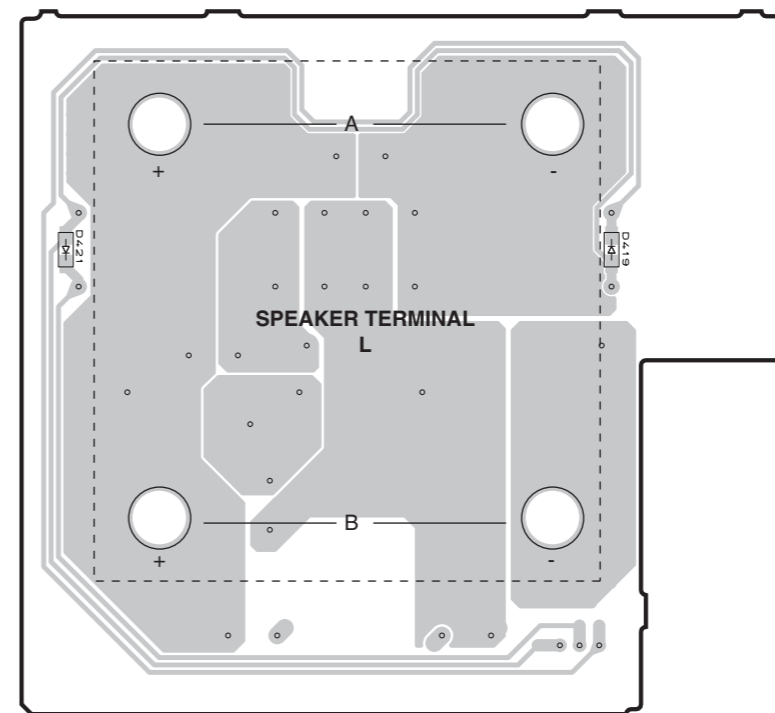
FRONT (16) (Side A)



FRONT (15) (Side B)



FRONT (16) (Side B)



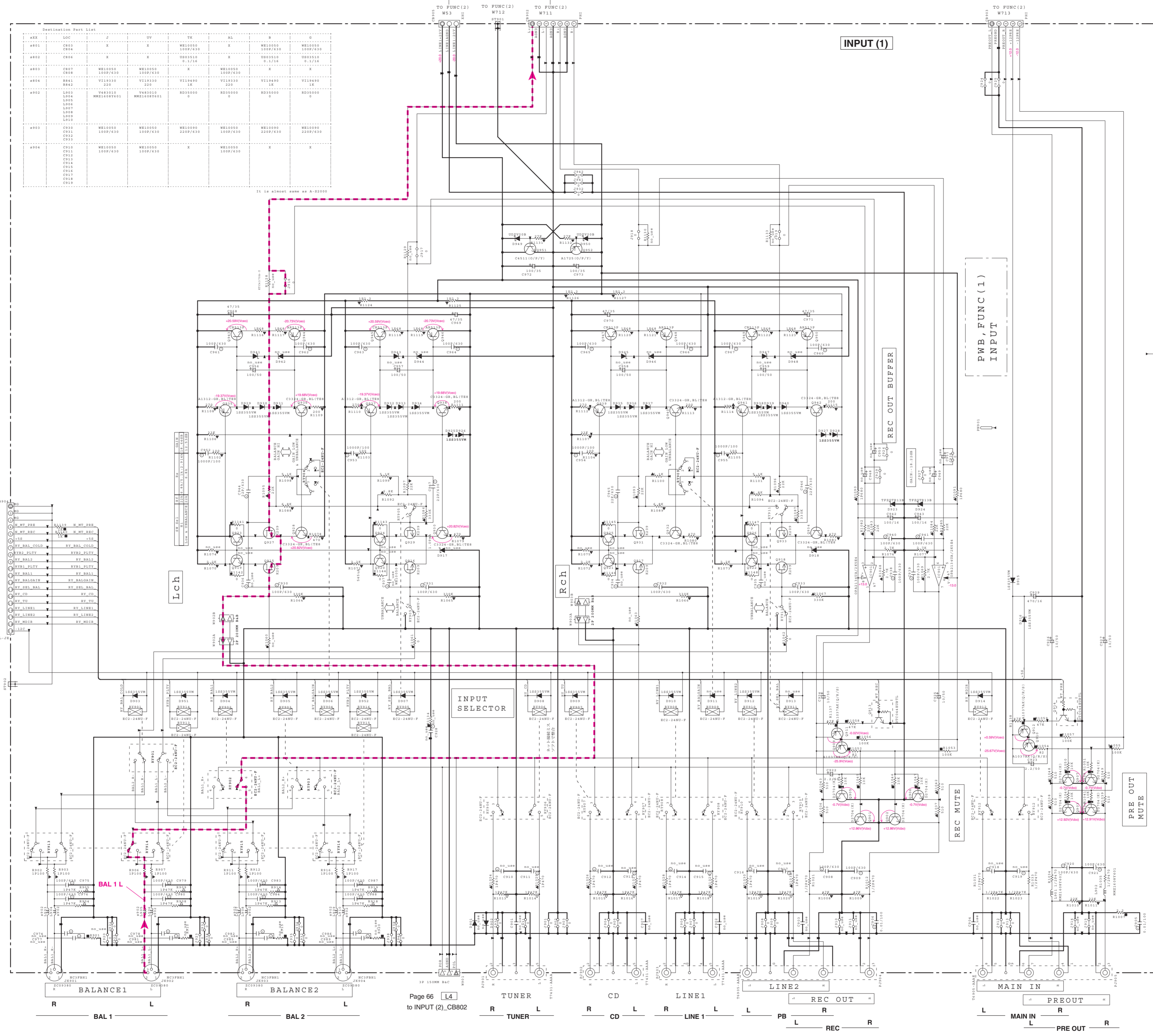
• Semiconductor Location

Ref no.	Location
D418	C5
D419	H6
D420	E6
D421	F6

SCHEMATIC DIAGRAMS
INPUT 1/2

Page 68 [H10] to FUNCTION (2)_W53
Page 68 [F5] to FUNCTION (2)_W712
Page 68 [G10] to FUNCTION (2)_W711

Page 68 [J4] to FUNCTION (2)_W713



Destination Part List

NO	QTY	REF	SYMBOL	DESCRIPTION	QTY	REF	SYMBOL	DESCRIPTION
4851	1	C04	C	RESISTOR	1	C04	C	RESISTOR
4852	1	C04	C	RESISTOR	1	C04	C	RESISTOR
4853	1	C04	C	RESISTOR	1	C04	C	RESISTOR
4854	1	C04	C	RESISTOR	1	C04	C	RESISTOR
4855	1	C04	C	RESISTOR	1	C04	C	RESISTOR
4856	1	C04	C	RESISTOR	1	C04	C	RESISTOR
4857	1	C04	C	RESISTOR	1	C04	C	RESISTOR
4858	1	C04	C	RESISTOR	1	C04	C	RESISTOR
4859	1	C04	C	RESISTOR	1	C04	C	RESISTOR
4860	1	C04	C	RESISTOR	1	C04	C	RESISTOR
4861	1	C04	C	RESISTOR	1	C04	C	RESISTOR
4862	1	C04	C	RESISTOR	1	C04	C	RESISTOR
4863	1	C04	C	RESISTOR	1	C04	C	RESISTOR
4864	1	C04	C	RESISTOR	1	C04	C	RESISTOR
4865	1	C04	C	RESISTOR	1	C04	C	RESISTOR
4866	1	C04	C	RESISTOR	1	C04	C	RESISTOR
4867	1	C04	C	RESISTOR	1	C04	C	RESISTOR
4868	1	C04	C	RESISTOR	1	C04	C	RESISTOR
4869	1	C04	C	RESISTOR	1	C04	C	RESISTOR
4870	1	C04	C	RESISTOR	1	C04	C	RESISTOR
4871	1	C04	C	RESISTOR	1	C04	C	RESISTOR
4872	1	C04	C	RESISTOR	1	C04	C	RESISTOR
4873	1	C04	C	RESISTOR	1	C04	C	RESISTOR
4874	1	C04	C	RESISTOR	1	C04	C	RESISTOR
4875	1	C04	C	RESISTOR	1	C04	C	RESISTOR
4876	1	C04	C	RESISTOR	1	C04	C	RESISTOR
4877	1	C04	C	RESISTOR	1	C04	C	RESISTOR
4878	1	C04	C	RESISTOR	1	C04	C	RESISTOR
4879	1	C04	C	RESISTOR	1	C04	C	RESISTOR
4880	1	C04	C	RESISTOR	1	C04	C	RESISTOR

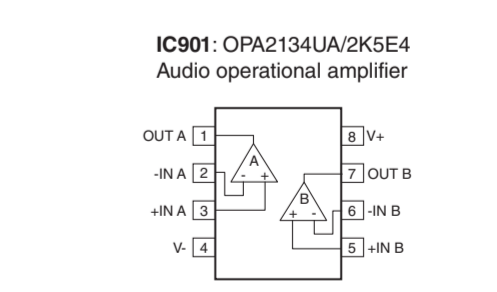
NOTICE (model)
(J)..... JAPAN
(U)..... U.S.A
(C)..... CANADA
(E)..... GENERAL
(T)..... CHINA
(K)..... KOREA
(A)..... AUSTRALIA
(B)..... BRITISH
(G)..... EUROPE
(S)..... SINGAPORE
(R)..... SOUTH EUROPE
(V)..... TAIWAN
(P)..... RUSSIAN
(F)..... LATIN AMERICA
(S)..... BRAZIL
(H)..... THAI

RESISTOR

REMARKS	PARTS NAME
NO MARK	CARBON FILM RESISTOR (F-5)
NO MARK	CARBON FILM RESISTOR (F-10)
NO MARK	METAL OXIDE FILM RESISTOR
NO MARK	METAL FILM RESISTOR
NO MARK	METAL PLATE RESISTOR
NO MARK	FILM PROOF CARBON FILM RESISTOR
NO MARK	CEMENT MOLDED RESISTOR
NO MARK	SEMI VARIABLE RESISTOR
NO MARK	CHIP RESISTOR

CAPACITOR

REMARKS	PARTS NAME
NO MARK	ELECTROLYTIC CAPACITOR
NO MARK	TANTALUM CAPACITOR
NO MARK	CERAMIC CAPACITOR
NO MARK	CERAMIC TUBULAR CAPACITOR
NO MARK	POLYESTER FILM CAPACITOR
NO MARK	POLYETHYLENE FILM CAPACITOR
NO MARK	MICA CAPACITOR
NO MARK	POLYPROPYLENE FILM CAPACITOR
NO MARK	SEMICONDUCTIVE CERAMIC CAPACITOR

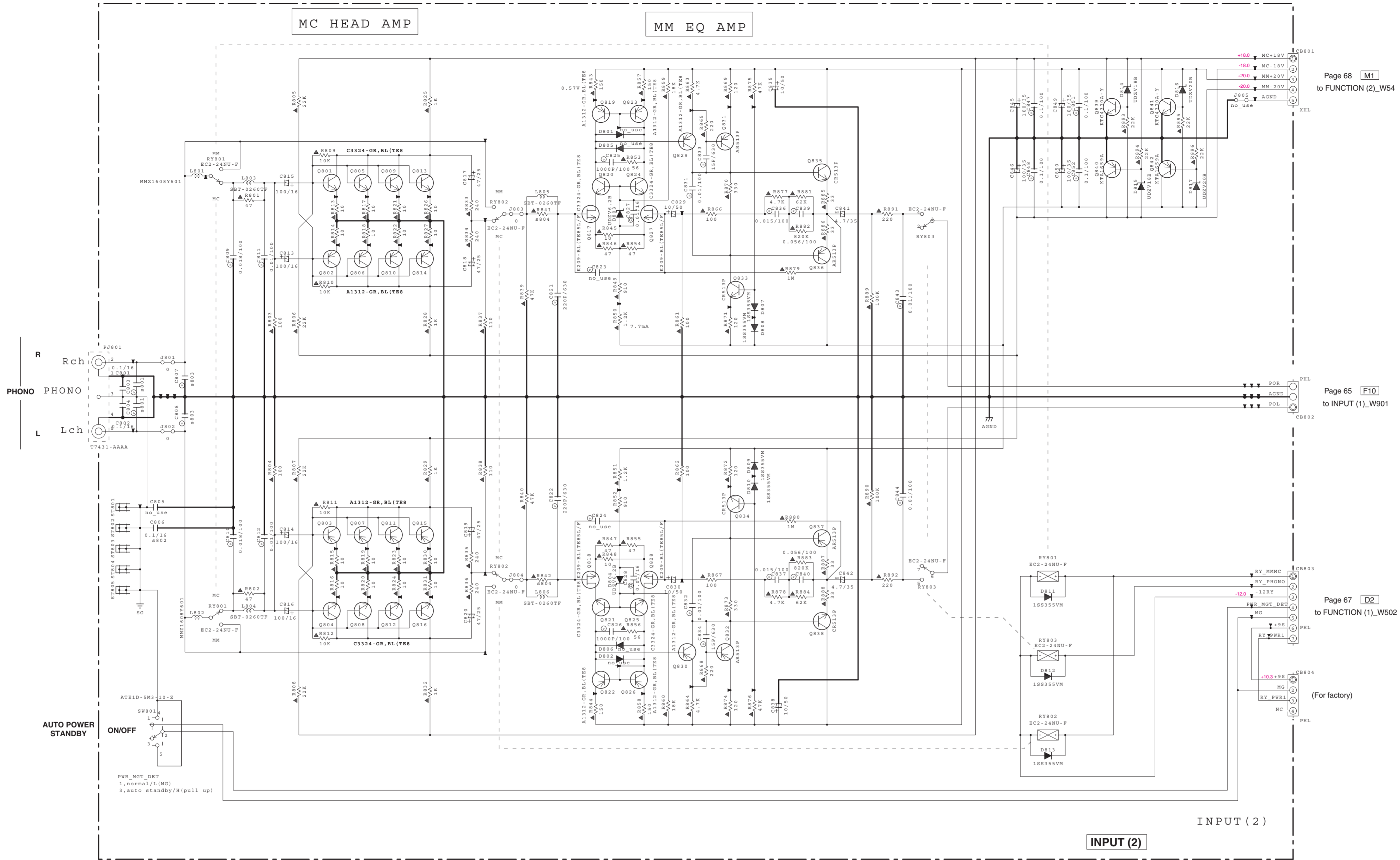


Page 66 [F9] to INPUT (3)_CB909

Page 66 [L4] to INPUT (2)_CB802

* All voltages are measured with a 10MΩV DC electronic voltmeter.
* Components having special characteristics are marked Δ and must be replaced with parts having specifications equal to those originally installed.
* Schematic diagram is subject to change without notice.

●電圧は、内部抵抗 10MΩの電圧計で測定したものです。
●△印のある部品は、安全性確保部品を指します。部品の交換が必要な場合、パーツリストに記載されている部品を使用してください。
●本回路図は標準回路図です。改良のため予告なく変更することがあります。

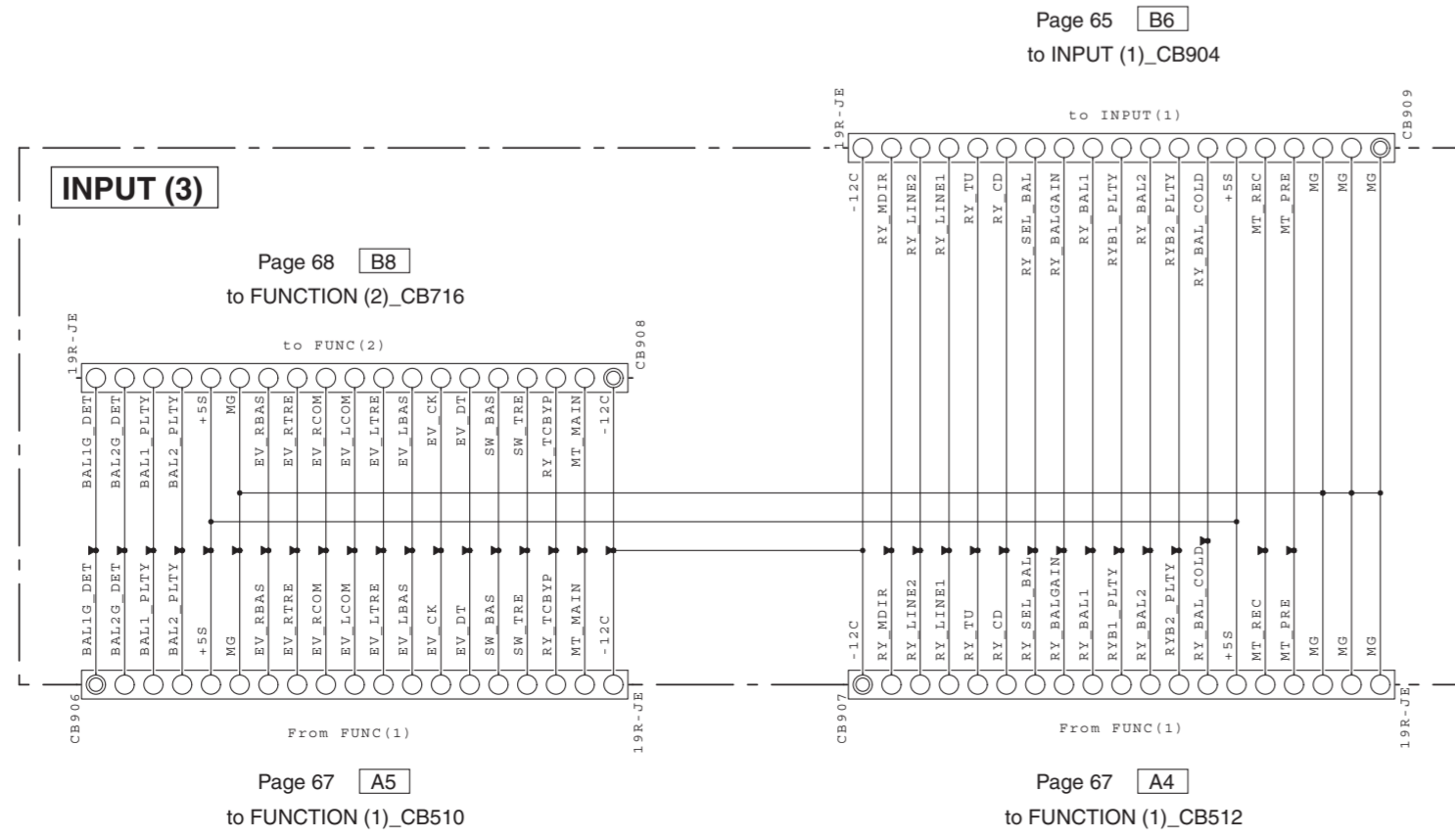


Page 68 M1 to FUNCTION (2)_W54

Page 65 F10 to INPUT (1)_W901

Page 67 D2 to FUNCTION (1)_W502

(For factory)



Page 67 A5 to FUNCTION (1)_CB510

Page 67 A4 to FUNCTION (1)_CB512

REMARKS	PARTS NAME
NO MARK	CARBON FILM RESISTOR (P=5)
□	CARBON FILM RESISTOR (P=10)
△	METAL OXIDE FILM RESISTOR
▤	METAL FILM RESISTOR
▥	METAL PLATE RESISTOR
▧	FIRE PROOF CARBON FILM RESISTOR
▨	CEMENT MOLDED RESISTOR
▩	SEMI VARIABLE RESISTOR
■	CHIP RESISTOR

REMARKS	PARTS NAME
NO MARK	ELECTROLYTIC CAPACITOR
⊗	TANTALUM CAPACITOR
NO MARK	CERAMIC CAPACITOR
●	CERAMIC TUBULAR CAPACITOR
○	POLYESTER FILM CAPACITOR
○	POLYSTYRENE FILM CAPACITOR
○	MICA CAPACITOR
○	POLYPROPYLENE FILM CAPACITOR
○	SEMICONDUCTIVE CERAMIC CAPACITOR
○	POLYPHENYLENE SULFIDE FILM CAPACITOR

NOTICE (model)

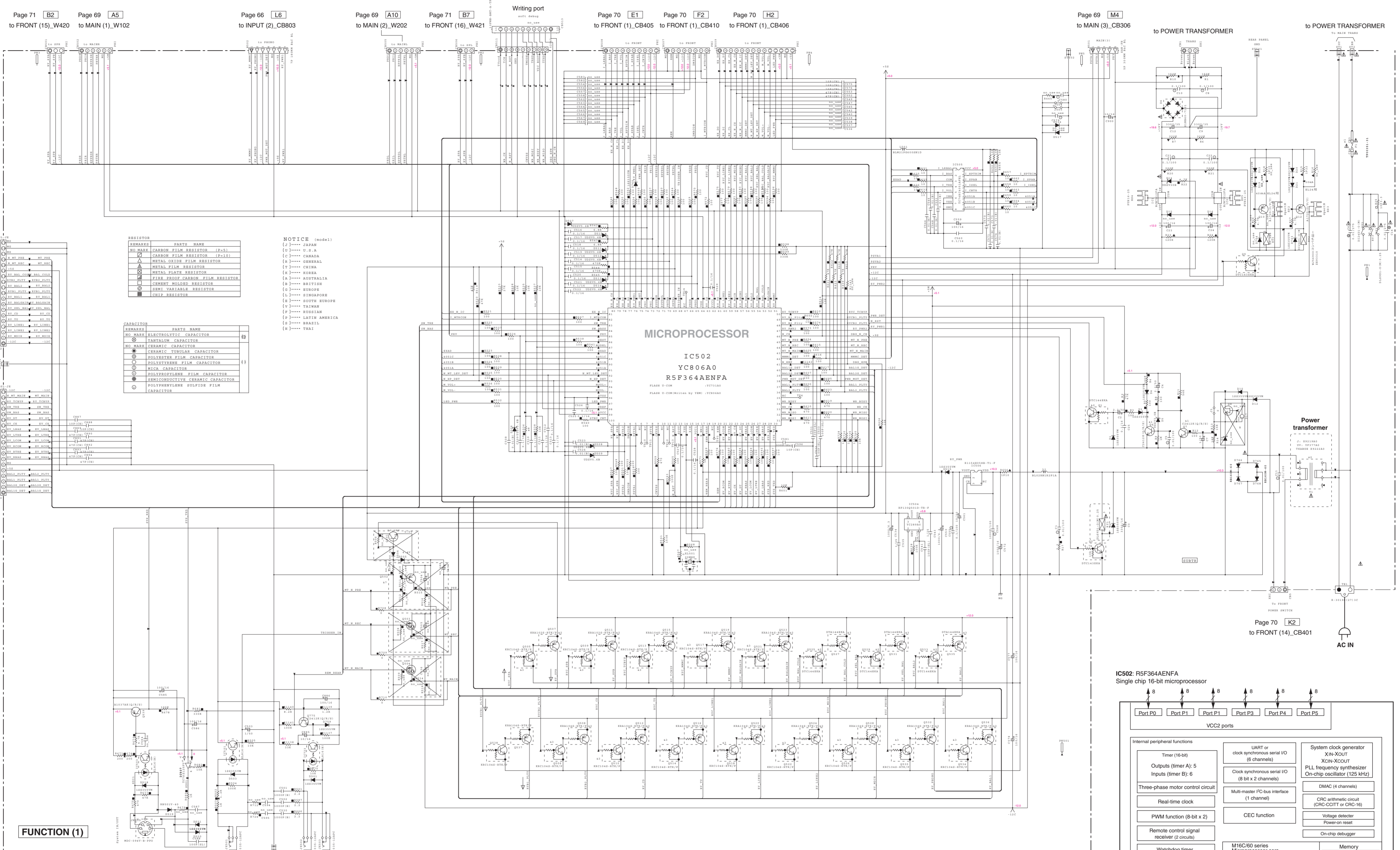
(J)..... JAPAN
 (U)..... U.S.A.
 (C)..... CANADA
 (R)..... GENERAL
 (T)..... CHINA
 (K)..... KOREA
 (A)..... AUSTRALIA
 (B)..... BRITISH
 (G)..... EUROPE
 (L)..... SINGAPORE
 (E)..... SOUTH EUROPE
 (V)..... TAIWAN
 (F)..... RUSSIAN
 (S)..... LATIN AMERICA
 (H)..... BRAZIL
 (H)..... THAI

★ All voltages are measured with a 10MΩ/V DC electronic voltmeter.
 ★ Components having special characteristics are marked A, and must be replaced with parts having specifications equal to those originally installed.
 ★ Schematic diagram is subject to change without notice.

● 電圧は、内部抵抗 10MΩの電圧計で測定したものです。
 ● A印のある部品は、安全性確保部品を示しています。部品の交換が必要な場合、パーツリストに記載されている部品を使用してください。
 ● 本回路図は標準回路図です。改良のため予告なく変更することがあります。

FUNCTION 1/2

Destination	Part List
41	WT0040
42	WT0040
43	WT0040
44	WT0040
45	WT0040
46	WT0040
47	WT0040
48	WT0040
49	WT0040
50	WT0040
51	WT0040
52	WT0040
53	WT0040
54	WT0040
55	WT0040
56	WT0040
57	WT0040
58	WT0040
59	WT0040
60	WT0040
61	WT0040
62	WT0040
63	WT0040
64	WT0040
65	WT0040
66	WT0040
67	WT0040
68	WT0040
69	WT0040
70	WT0040
71	WT0040
72	WT0040
73	WT0040
74	WT0040
75	WT0040
76	WT0040
77	WT0040
78	WT0040
79	WT0040
80	WT0040
81	WT0040
82	WT0040
83	WT0040
84	WT0040
85	WT0040
86	WT0040
87	WT0040
88	WT0040
89	WT0040
90	WT0040
91	WT0040
92	WT0040
93	WT0040
94	WT0040
95	WT0040
96	WT0040
97	WT0040
98	WT0040
99	WT0040
100	WT0040



RESISTOR

REMARKS	PARTS NAME
NO MARK	CARBON FILM RESISTOR (P-5)
	CARBON FILM RESISTOR (P-10)
	METAL OXIDE FILM RESISTOR
	METAL FILM RESISTOR
	METAL PLATE RESISTOR
	FILM PROOF CARBON FILM RESISTOR
	CERMET MOUNTED RESISTOR
	SEMI VARIABLE RESISTOR
	CHIP RESISTOR

NOTICE (model)

(J)..... JAPAN
 (O)..... U.S.A.
 (C)..... CANADA
 (S)..... SWEDEN
 (K)..... KOREA
 (A)..... AUSTRALIA
 (E)..... BRITISH
 (G)..... GERMANY
 (U)..... U.K.
 (S)..... SWITZERLAND
 (Y)..... YEMEN
 (T)..... TAIWAN
 (P)..... POLAND
 (R)..... RUSSIAN
 (B)..... BRAZIL
 (M)..... MEXICO

CAPACITOR

REMARKS	PARTS NAME
NO MARK	ELECTROLYTIC CAPACITOR
	TANTALUM CAPACITOR
NO MARK	CERAMIC CAPACITOR
	CERAMIC TUNING CAPACITOR
	POLYESTER FILM CAPACITOR
	POLYETHYLENE FILM CAPACITOR
	MICA CAPACITOR
	POLYPROPYLENE FILM CAPACITOR
	SEMICONDUCTIVE CERAMIC CAPACITOR
	POLYPROPYLENE COPPER FILM CAPACITOR

MICROPROCESSOR

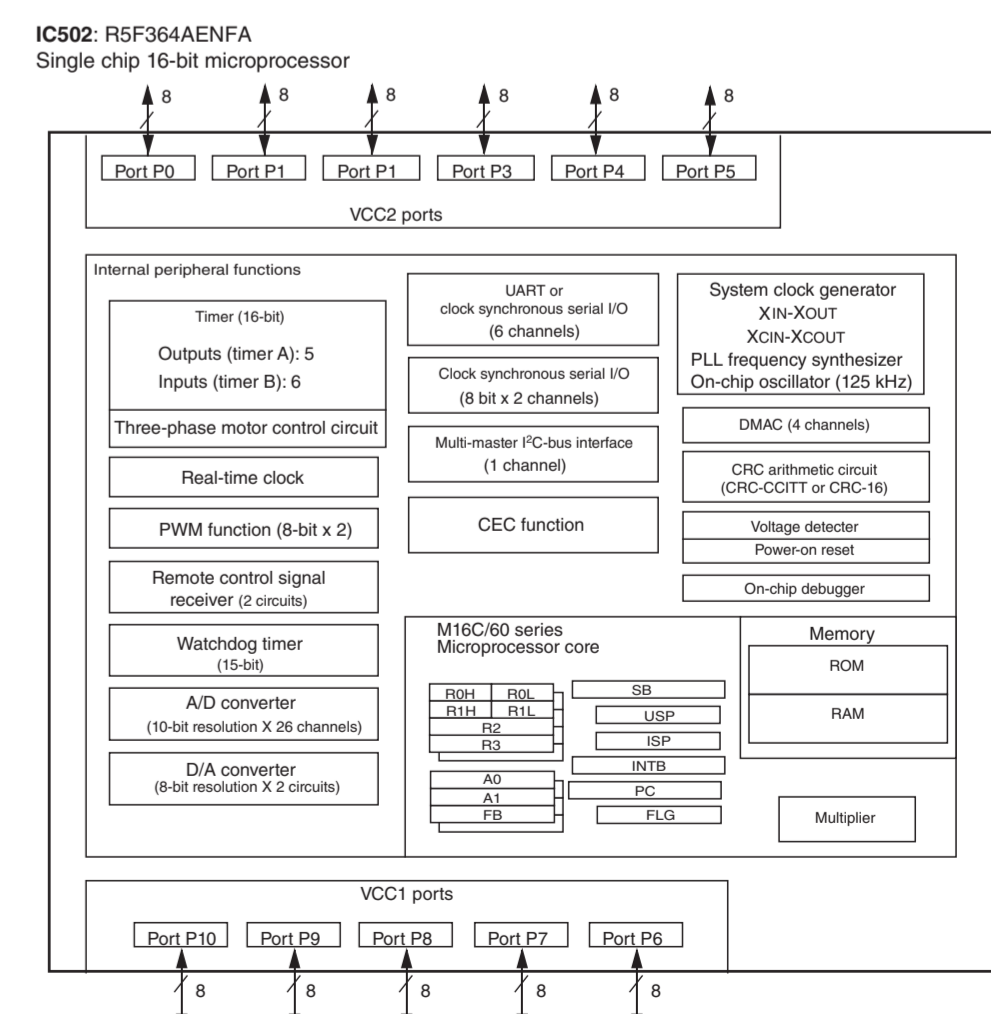
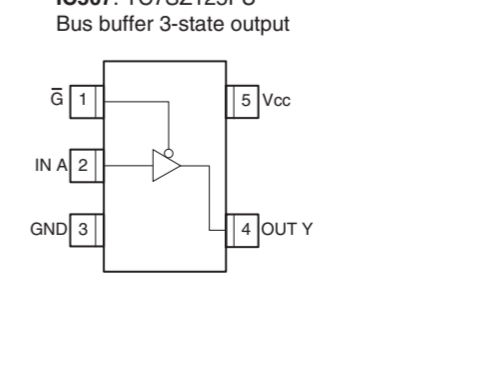
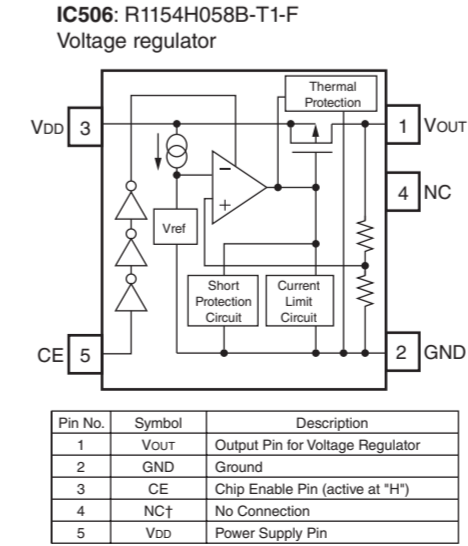
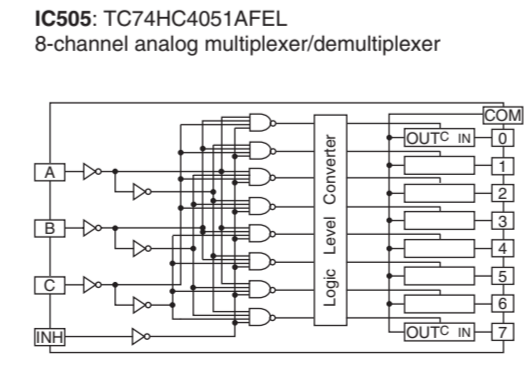
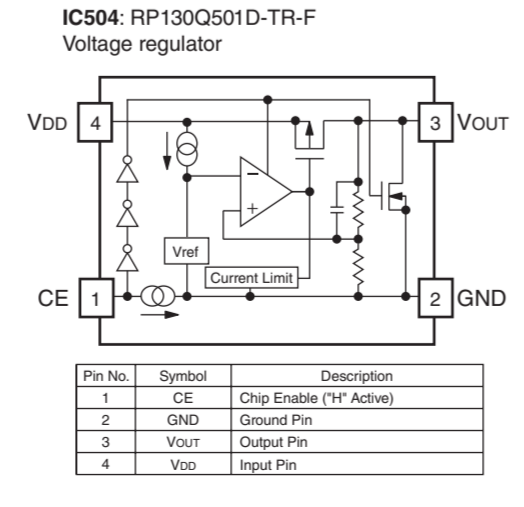
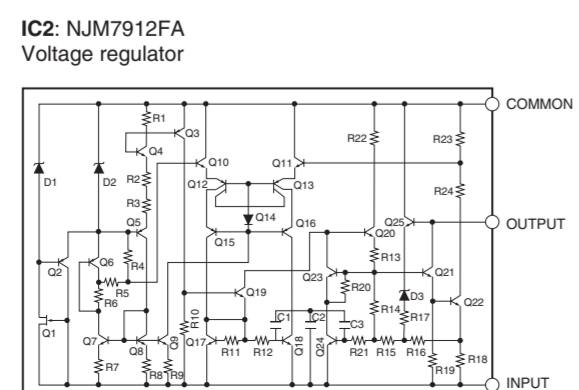
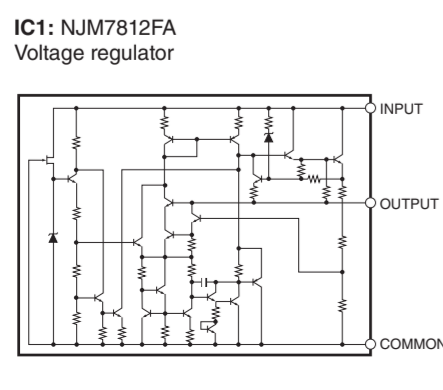
IC502
 YC806A0
 R5F364AENFA

PLD 91-008
 PLD 91-008
 PLD 91-008

Page 66 [F10]
to INPUT (3)_CB907

Page 66 [D10]
to INPUT (3)_CB906

Page 70 [K2]
to FRONT (14)_CB401



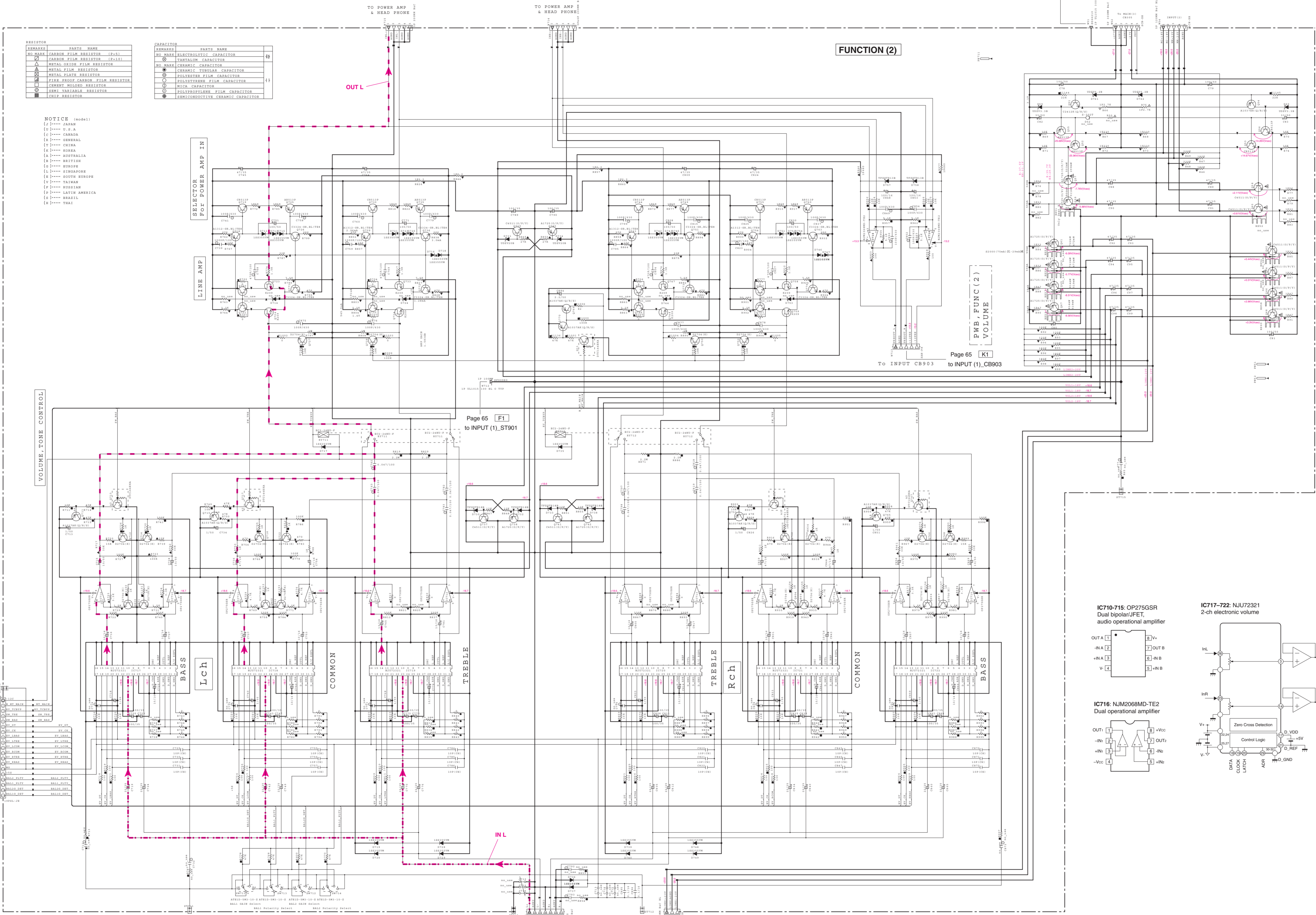
* All voltages are measured with a 10MΩ DC electronic voltmeter.
 * Components having special characteristics are marked Δ and must be replaced with parts having specifications equal to those originally installed.
 * Schematic diagram is subject to change without notice.

● 電圧は、内部抵抗 10MΩの電圧計で測定したものです。
 ● Δ印のある部品は、安全性確保部品を示しています。部品の交換が必要な場合、パーツリストに記載されている部品を使用してください。
 ● 本回路図は標準回路図です。改良のため予告なく変更することがあります。

RESISTOR		CAPACITOR	
REMARKS	PARTS NAME	REMARKS	PARTS NAME
NO MARK	CARBON FILM RESISTOR (P=5)	NO MARK	ELECTROLYTIC CAPACITOR
△	CARBON FILM RESISTOR (P=10)	△	TANTALUM CAPACITOR
□	METAL OXIDE FILM RESISTOR	□	CERAMIC CAPACITOR
◇	METAL FILM RESISTOR	◇	CERAMIC TUBULAR CAPACITOR
○	METAL SLATE RESISTOR	○	POLYESTER FILM CAPACITOR
▽	FILM PROOF CARBON FILM RESISTOR	▽	POLYPROPYLENE FILM CAPACITOR
■	CEMENT MOLDED RESISTOR	■	MICA CAPACITOR
●	TEMP. VARIABLE RESISTOR	●	POLYPROPYLENE FILM CAPACITOR
■	CHIP RESISTOR	●	SEMICONDUCTIVE CERAMIC CAPACITOR

NOTICE (model)

- (J)..... JAPAN
- (D)..... U.S.A.
- (C)..... CANADA
- (B)..... OVERSEAS
- (E)..... GERMANY
- (K)..... KOREA
- (A)..... AUSTRALIA
- (S)..... SWITZERLAND
- (G)..... EUROPE
- (L)..... SINGAPORE
- (H)..... HONG KONG
- (V)..... TAIWAN
- (P)..... RUSSIAN
- (F)..... LATIN AMERICA
- (R)..... BRAZIL
- (N)..... THAI



Page 66 [D9] to INPUT (3)_CB908

Page 65 [F1] to INPUT (1)_ST901

Page 65 [K1] to INPUT (1)_CB903

Page 65 [G1] to INPUT (1)_CB902

Page 65 [F1] to INPUT (1)_CB905

★ All voltages are measured with a 10MΩ/V DC electronic voltmeter.
 ★ Components having special characteristics are marked Δ, and must be replaced with parts having specifications equal to those originally installed.
 ★ Schematic diagram is subject to change without notice.

● 電圧は、内部抵抗 10MΩの電圧計で測定したものです。
 ● Δ印のある部品は、安全性確保部品を示しています。部品の交換が必要な場合、パーツリストに記載されている部品を使用してください。
 ● 本回路図は標準回路図です。改良のため予告なく変更することがあります。

Safety measures

- Some internal parts in this product contain high voltages and are dangerous. Be sure to take safety measures during servicing, such as wearing insulating gloves.
- Note that the capacitors indicated below are dangerous even after the power is turned off because an electric charge remains and a high voltage continues to exist there. Before starting any repair work, connect a discharging resistor (5 k-ohms/10 W) to the terminals of each capacitor indicated below to discharge electricity. The time required for discharging is about 30 seconds per each.
- ±B1-B4 on MAIN (1), MAIN (2) P.C.B., C317-C320 on MAIN (3) P.C.B.

安全対策

- この製品の内部には高電圧部分があり危険です。修理の際は、絶縁性の手袋を使用などの安全対策を行ってください。
- 下記のコンデンサには電源をOFFにした後も電荷が残り、高電圧が維持されており危険です。修理作業前に放電用抵抗(5 kΩ/10 W)を下記の各コンデンサの端子間に接続して放電してください。放電用時間は各々約30秒間です。
- MAIN(1)、MAIN(2)P.C.B.の±B1-B4、MAIN(3)P.C.B.のC317-C320

1

2

3

4

5

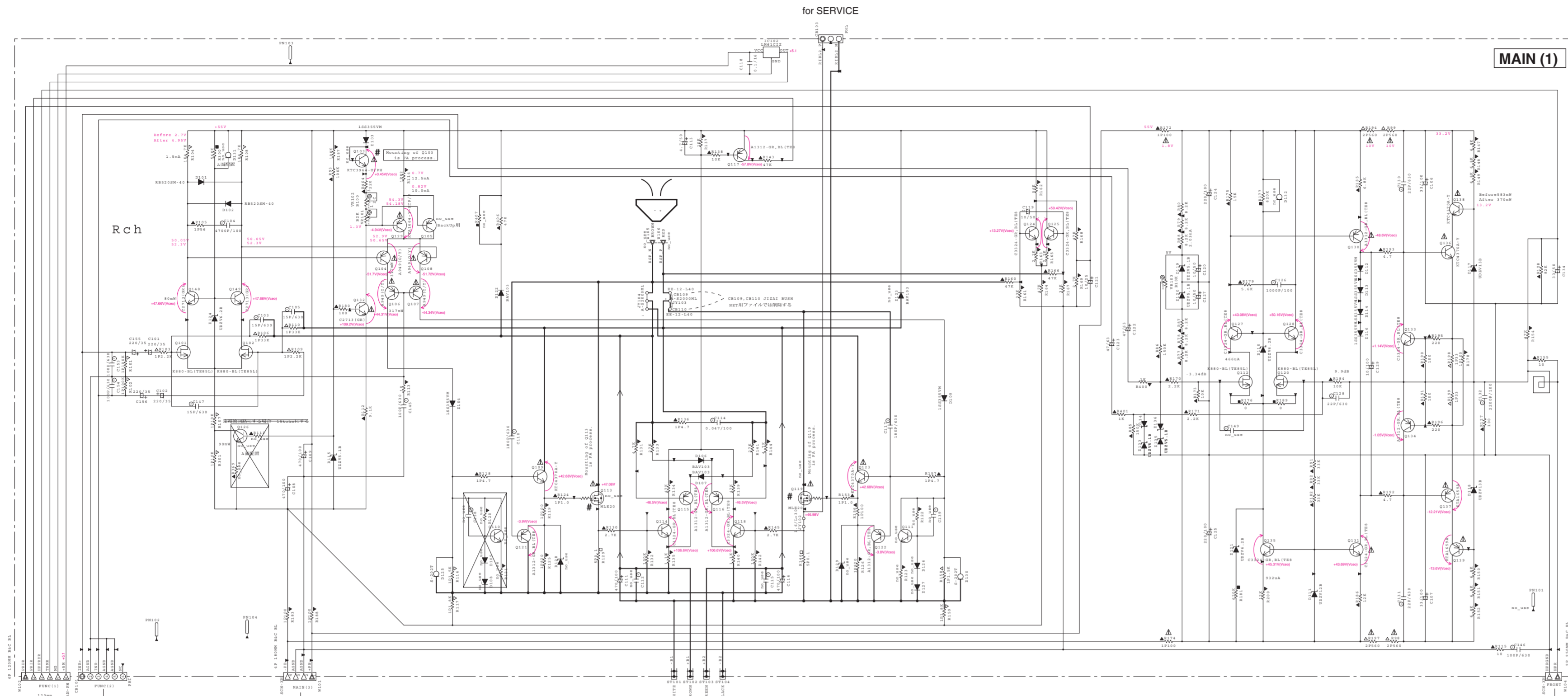
6

7

8

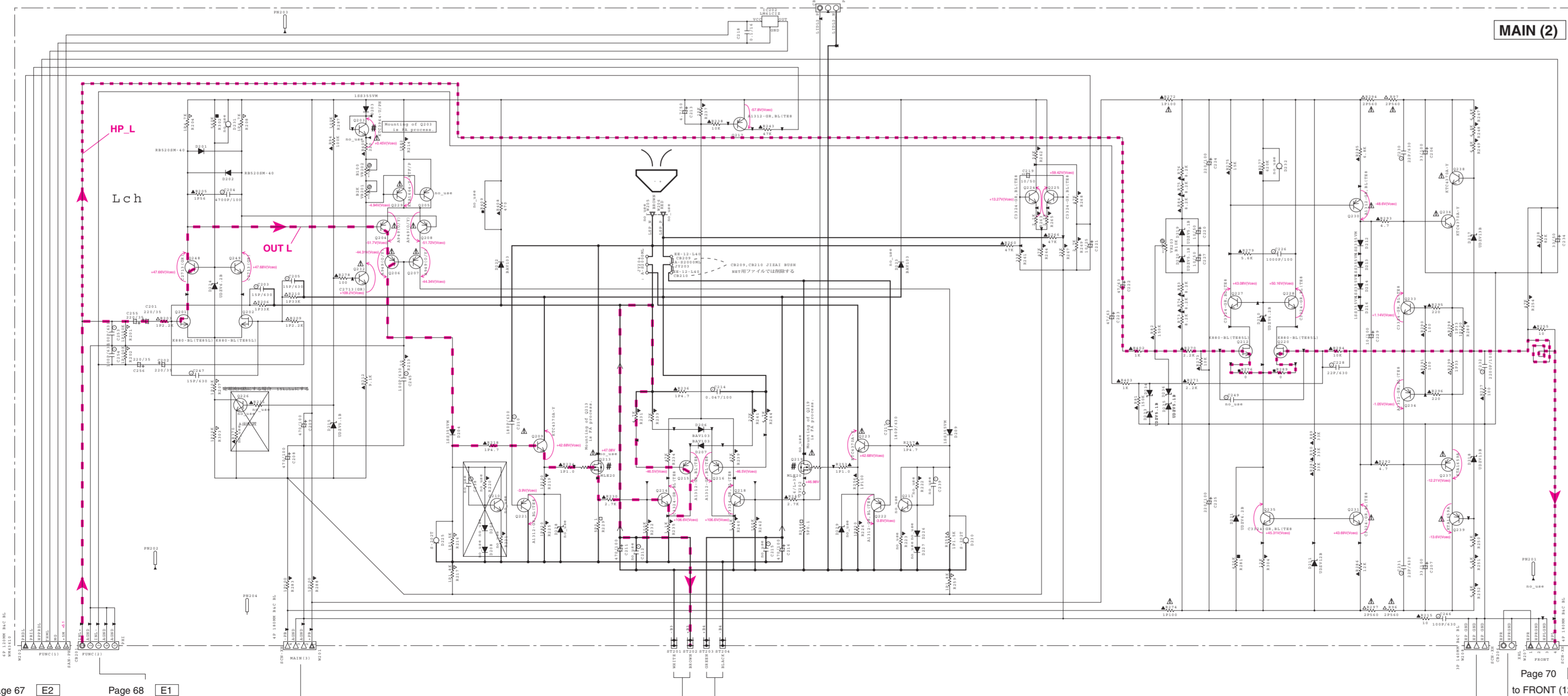
9

10



Page 67 **B2** to FUNCTION (1)_CB502
 Page 68 **G1** to FUNCTION (2)_W714

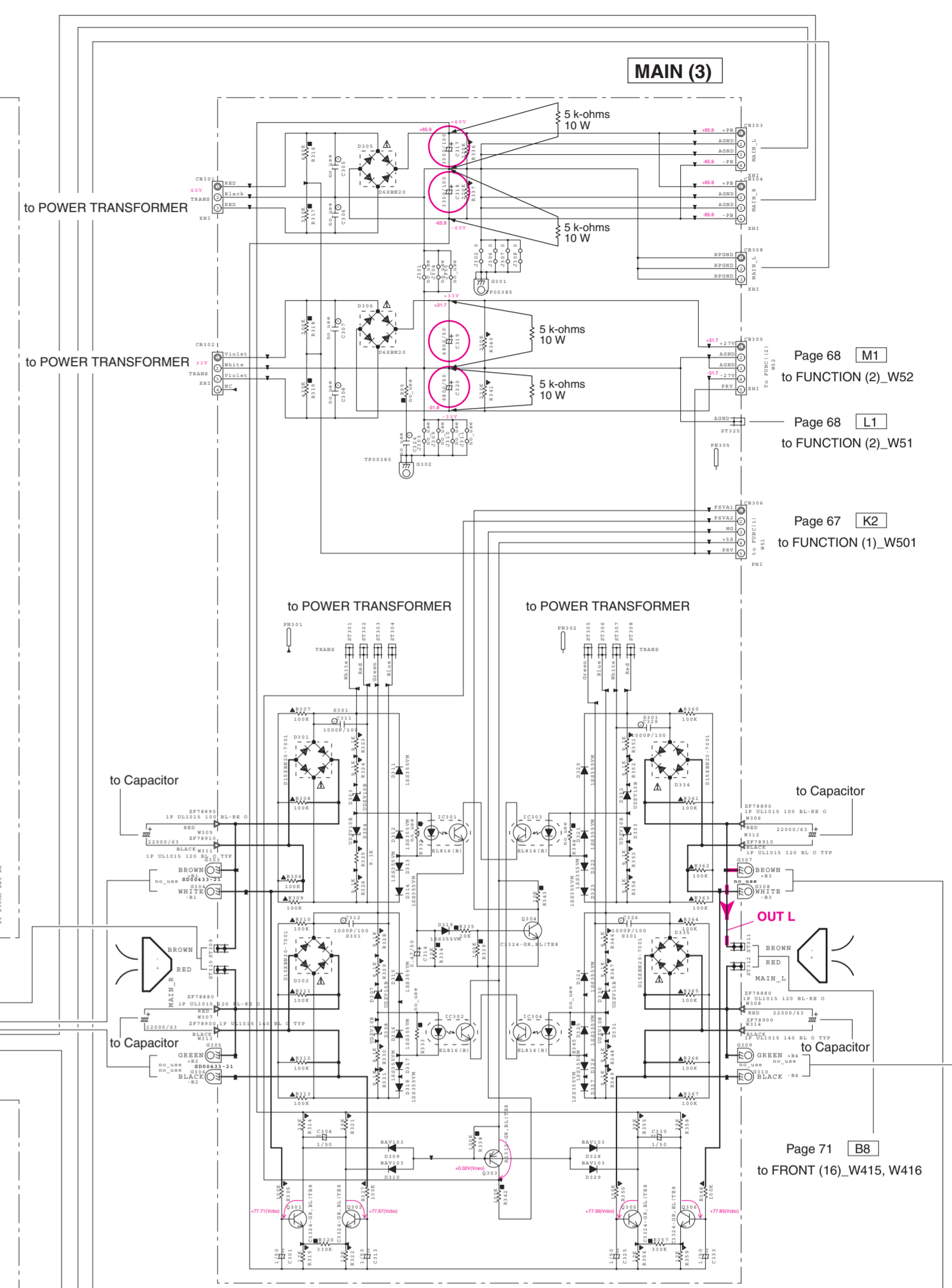
Page 71 **B4** to FRONT (15)_W413, W414



Page 67 **E2** to FUNCTION (1)_CB505
 Page 68 **E1** to FUNCTION (2)_W715

Page 70 **D9** to FRONT (12)_CB403

Note) Those parts marked with "#" are not included in the P.C.B. assembly / マーク#の部品は、P.C.B. Ass'yに含まれません



Page 68 **M1** to FUNCTION (2)_W52

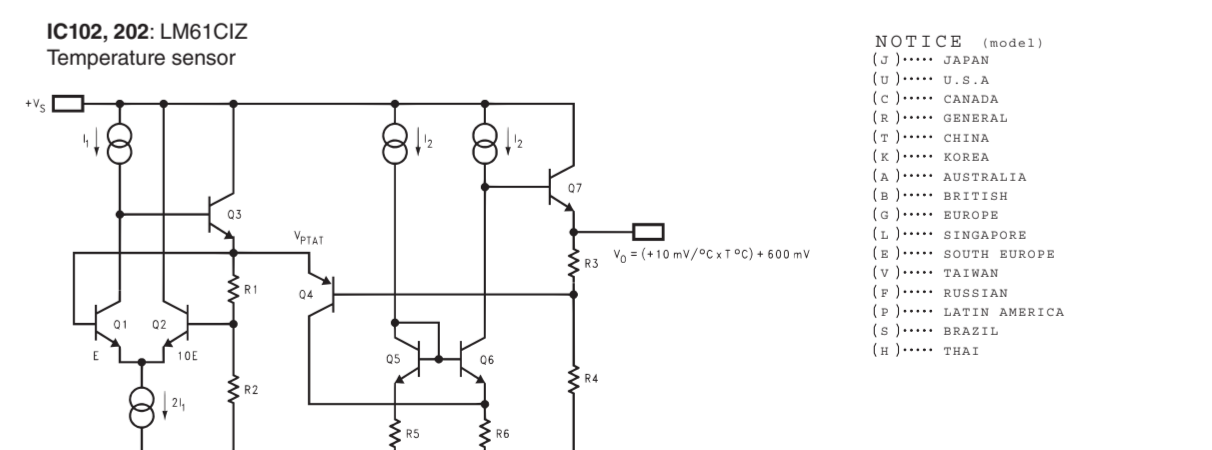
Page 68 **L1** to FUNCTION (2)_W51

Page 67 **K2** to FUNCTION (1)_W501

Page 71 **B8** to FRONT (16)_W415, W416

#	LOC	J	Q	TE	A	B	G	L	V
5301	C11	WE0010	WE0010	WE0010	WE0010	WE0010	WE0010	WE0010	WE0010
	C12	10000100	10000100	10000100	10000100	10000100	10000100	10000100	10000100
	C13								

REMARKS	PARTS NAME	REMARKS	PARTS NAME
NO MARK	CARBON FILM RESISTOR (P-5)	NO MARK	ELECTROLYTIC CAPACITOR
△	CARBON FILM RESISTOR (P-10)	△	TANTALUM CAPACITOR
△	METAL OXIDE FILM RESISTOR	△	CERAMIC CAPACITOR
△	METAL FILM RESISTOR	△	CERAMIC VIBRATOR CAPACITOR
△	METAL PLATE RESISTOR	△	POLYESTER FILM CAPACITOR
△	FIRE PROOF CARBON FILM RESISTOR	△	POLYESTER FILM CAPACITOR
△	CEMENT MOUNTED RESISTOR	△	MICA CAPACITOR
△	TRIMMABLE RESISTOR	△	POLYPROPYLENE FILM CAPACITOR
△	CHIP RESISTOR	△	SEMICONDUCTIVE CERAMIC CAPACITOR



- All voltages are measured with a 10MΩ/V DC electronic voltmeter.
- Components having special characteristics are marked △ and must be replaced with parts having specifications equal to those originally installed.
- Schematic diagram is subject to change without notice.

- 電圧は、内部抵抗 10MΩの電圧計で測定したものです。
- △印のある部品は、安全性確保部品を示しています。部品の交換が必要な場合、パーツリストに記載されている部品を使用してください。
- 本回路図は標準回路図です。改良のため予告なく変更することがあります。

Page 67 G2 to FUNCTION (1)_CB508

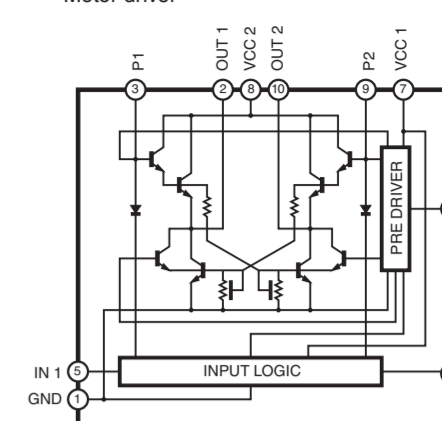
Page 67 F2 to FUNCTION (1)_CB507

Page 67 H2 to FUNCTION (1)_CB509

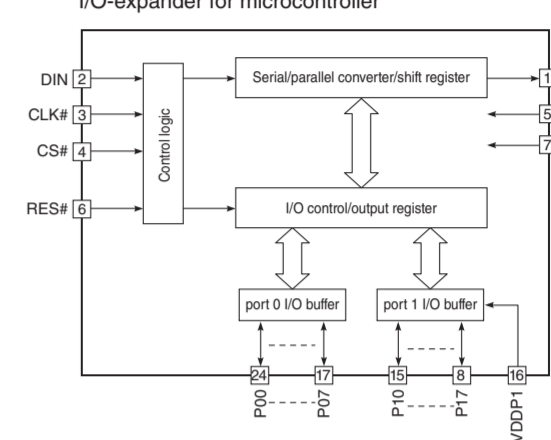
STANDBY/ON OFF (Power) T model

Page 67 M7 to FUNCTION (1)_CB5

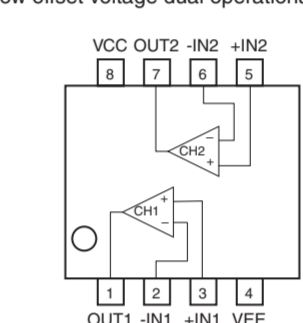
IC401: LB1641 Motor driver



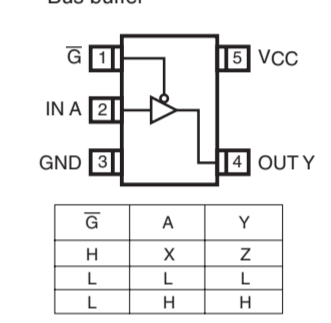
IC402: LC709004AMJ-AH I/O-expander for microcontroller



IC403-409, 412: BA8522RFVM-TR Low offset voltage dual operational amplifiers



IC410: TC7SET125FU Bus buffer



IC411: RP130Q331D-TR-F Voltage regulator

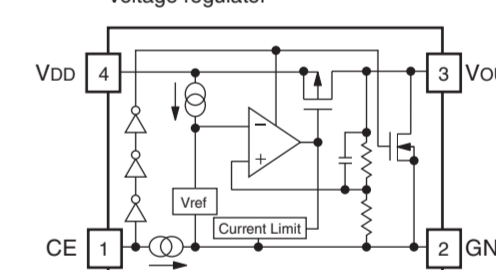


Table with 3 columns: Pin No., Symbol, Description. Rows include CE (Chip Enable), GND (Ground Pin), Vout (Output Pin), and Vcc (Input Pin).

Table with 2 columns: CAPACITOR, PARTS NAME. Lists various capacitor types like electrolytic, tantalum, ceramic, and film capacitors.

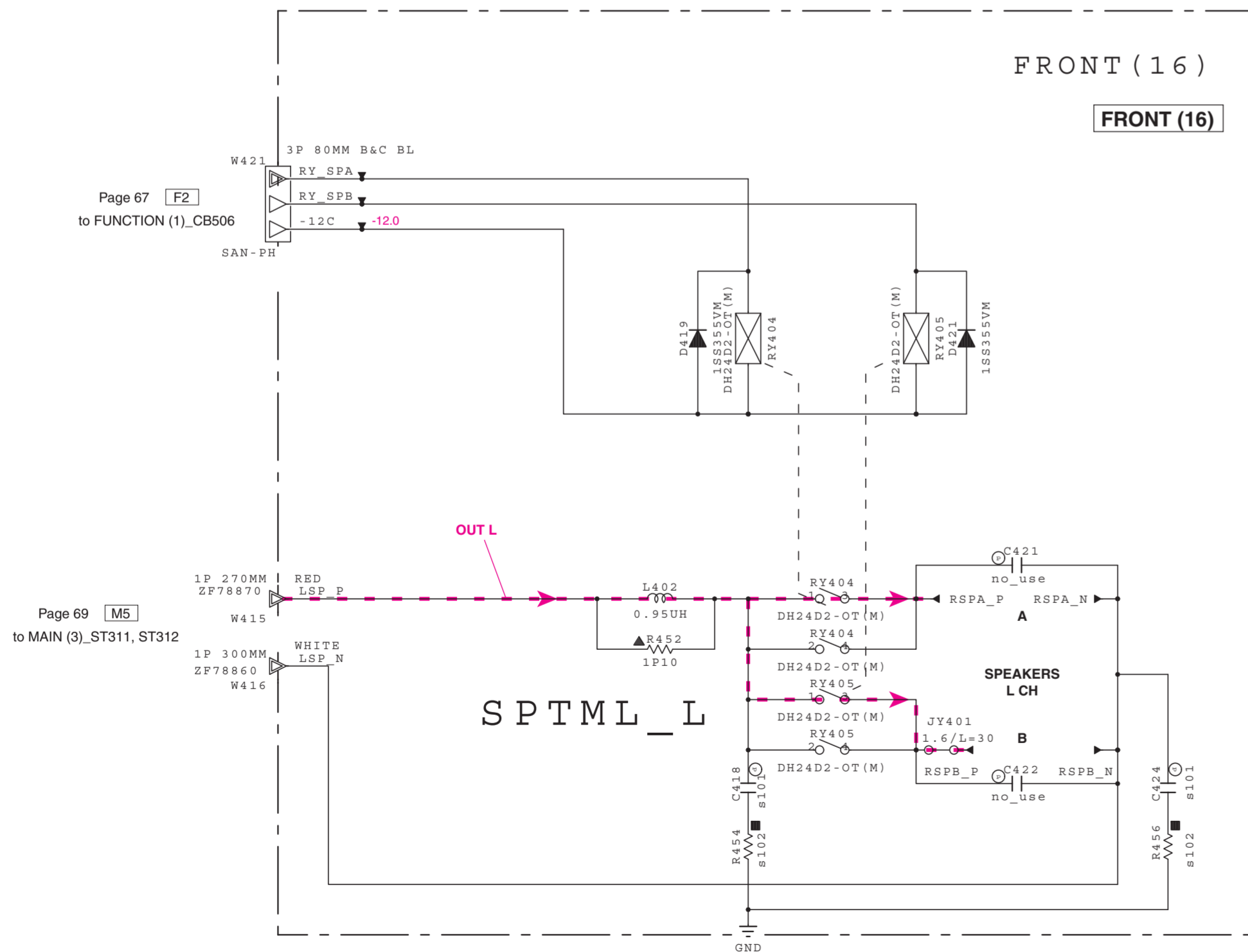
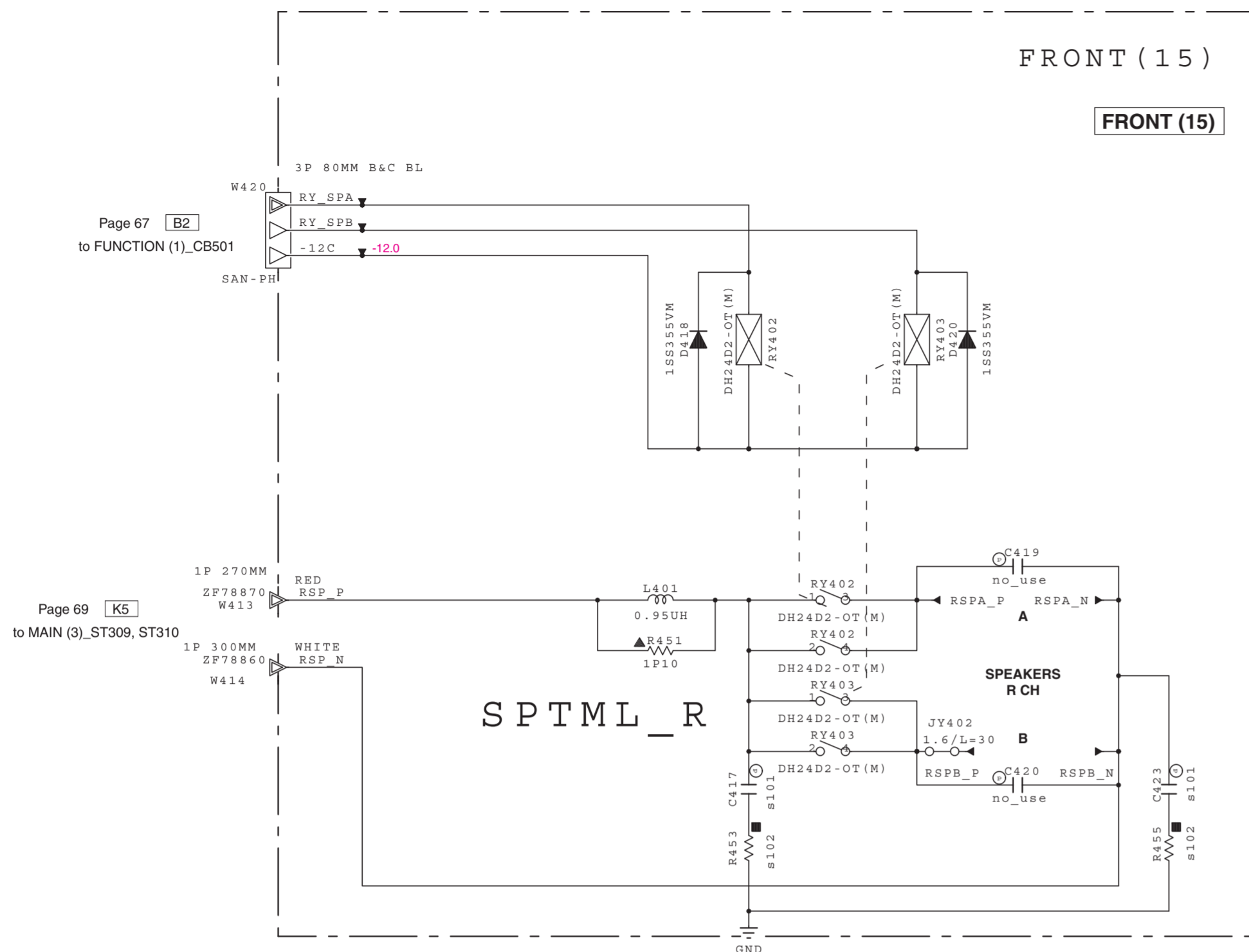
Table with 2 columns: RESISTOR, PARTS NAME. Lists various resistor types like carbon film, metal oxide film, and chip resistors.

Table with 2 columns: REMARKS, DESCRIPTION. Lists country codes for component origins such as JAPAN, U.S.A., CANADA, etc.

Page 69 J10 to MAIN (2)_W207

* All voltages are measured with a 10MΩ/V DC electronic voltmeter.
* Components having special characteristics are marked Δ, and must be replaced with parts having specifications equal to those originally installed.
* Schematic diagram is subject to change without notice.
● 電圧は、内部抵抗 10MΩ の電圧計で測定したものです。
● Δ印のある部品は、安全性確保部品を示しています。部品の交換が必要な場合、パーツリストに記載されている部品を使用してください。
● 本回路図は標準回路図です。改良のため予告なく変更することがあります。

FRONT 2/2



Destination Part List

sXX	LOC	U	U	T	K	A	B	G	L	V
s101	C424 C417 C423 C418	X	X	X	WE10290 0.01/100	X	WE10290 0.01/100	WE10290 0.01/100	X	X
s102	R455 R453 R456 R454	X	X	X	RD25347 4.7	X	RD25347 4.7	RD25347 4.7	X	X

NOTICE (model)
 (J)..... JAPAN
 (U)..... U.S.A
 (C)..... CANADA
 (R)..... GENERAL
 (T)..... CHINA
 (K)..... KOREA
 (A)..... AUSTRALIA
 (B)..... BRITISH
 (G)..... EUROPE
 (L)..... SINGAPORE
 (E)..... SOUTH EUROPE
 (V)..... TAIWAN
 (F)..... RUSSIAN
 (P)..... LATIN AMERICA
 (S)..... BRAZIL
 (H)..... THAI

RESISTOR

REMARKS	PARTS NAME
NO MARK	CARBON FILM RESISTOR (P=5)
☐	CARBON FILM RESISTOR (P=10)
△	METAL OXIDE FILM RESISTOR
▲	METAL FILM RESISTOR
⊠	METAL PLATE RESISTOR
▨	FIRE PROOF CARBON FILM RESISTOR
□	CEMENT MOLDED RESISTOR
⊗	SEMI VARIABLE RESISTOR
■	CHIP RESISTOR

CAPACITOR

REMARKS	PARTS NAME
NO MARK	ELECTROLYTIC CAPACITOR
⊗	TANTALUM CAPACITOR
NO MARK	CERAMIC CAPACITOR
●	CERAMIC TUBULAR CAPACITOR
⊙	POLYESTER FILM CAPACITOR
○	POLYSTYRENE FILM CAPACITOR
①	MICA CAPACITOR
⊖	POLYPROPYLENE FILM CAPACITOR
⊕	SEMICONDUCTIVE CERAMIC CAPACITOR
⊚	POLYPHENYLENE SULFIDE FILM CAPACITOR

★ All voltages are measured with a 10MΩV DC electronic voltmeter.
 ★ Components having special characteristics are marked Δ and must be replaced with parts having specifications equal to those originally installed.
 ★ Schematic diagram is subject to change without notice.
 ● 電圧は、内部抵抗 10MΩの電圧計で測定したものです。
 ● Δ印のある部品は、安全性確保部品を示しています。部品の交換が必要な場合、パーツリストに記載されている部品を使用してください。
 ● 本回路図は標準回路図です。改良のため予告なく変更することがあります。

■ REPLACEMENT PARTS LIST

● ELECTRICAL COMPONENT PARTS

WARNING

- Components having special characteristics are marked Δ and must be replaced with parts having specifications equal to those originally installed.
- Δ 印のある部分は、安全確保部品を示しています。部品の交換が必要な場合、パーツリストに記載されている部品を使用してください。
- 部品価格ランクは、予告なく変更することがあります。

ABBREVIATIONS IN THIS LIST ARE AS FOLLOWS:

C.A.EL.CHP	: CHIP ALUMI.ELECTROLYTIC CAP	LED.CHP	: CHIP LED
C.CE	: CERAMIC CAP	LED.DSPLY	: LED DISPLAY
C.CE.ARRAY	: CERAMIC CAP ARRAY	LED.INFRD	: LED,INFRARED
C.CE.CHP	: CHIP CERAMIC CAP	PHOT.CPL	: PHOTO COUPLER
C.CE.M.CHP	: CHIP MULTILAYER CERAMIC CAP	PHOT.INTR	: PHOTO INTERRUPTER
C.CE.SAFTY	: RECOGNIZED CERAMIC CAP	PHOT.RFLCT	: PHOTO REFLECTOR
C.CE.TUBLR	: CERAMIC TUBULAR CAP	PHOT.TR	: PHOTO TRANSISTOR
C.CE.SMI	: SEMI CONDUCTIVE CERAMIC CAP	PIN.TEST	: PIN,TEST POINT
C.EL	: ELECTROLYTIC CAP	PTC.THERM	: POSITIVE TEMPERATURE COEFFICIENT THERMISTOR
C.EL.BP	: BIPOLAR ELECTROLYTIC CAP	R.ANTI.SURGE	: FIXED ANTI SURGE RESISTOR
C.EL.CHP	: CHIP ELECTROLYTIC CAP	R.ARRAY	: RESISTOR ARRAY
C.MICA	: MICA CAP	R.CAR.	: CARBON RESISTOR
C.ML.FLM	: MULTILAYER FILM CAP	R.CAR.CHP	: CHIP RESISTOR
C.MP	: METALLIZED POLYESTER FILM CAP	R.CAR.FP	: FLAME PROOF CARBON RESISTOR
C.MYLAR	: MYLAR FILM CAP	R.CEMENT	: CEMENT RESISTOR
C.MYLAR.ML	: MULTILAYER MYLAR FILM CAP	R.CHP	: CHIP RESISTOR
C.NIOB.OXD	: NIOBIUM OXIDE CAP	R.FUS	: FUSIBLE RESISTOR
C.PAPER	: PAPER CAPACITOR	R.MTL.CHP	: CHIP METAL FILM RESISTOR
C.PLS	: POLYSTYRENE FILM CAP	R.MTL.FLM	: METAL FILM RESISTOR
C.POL	: POLYESTER FILM CAP	R.MTL.OXD	: METAL OXIDE FILM RESISTOR
C.PP	: POLYPROPYLENE FILM CAP	R.MTL.PLAT	: METAL PLATE RESISTOR
C.PP.CHP	: CHIP POLYPROPYLENE FILM CAP	RSNR.CE	: CERAMIC RESONATOR
C.TNTL	: TANTALIUM CAP	RSNR.CRYS	: CRYSTAL RESONATOR
C.TNTL.CHP	: CHIP TANTALIUM CAP	SCR.BND.HD	: BIND HEAD B-TIGHT SCREW
C.TRIM	: TRIMMER CAP	SCR.TERM	: SCREW TERMINAL
CN	: CONNECTOR	SCR.TR	: SCREW,TRANSISTOR
CN.BS.PIN	: CONNECTOR,BASE PIN	SURG.PRTCT	: SURGE PROTECTOR
CN.CANNON	: CONNECTOR,CANNON	SUPRT.PCB	: P.C.B. SUPPORT
CN.DIN	: CONNECTOR,DIN	SW.LEVER	: LEVER SWITCH
CN.FLAT	: CONNECTOR,FLAT CABLE	SW.MICRO	: MICRO SWITCH
CN.FFC	: CONNECTOR,FLEXIBLE FLAT CABLE	SW.LEAF	: LEAF SWITCH
CN.HDMI	: HDMI CONNECTOR	SW.PUSH	: PUSH SWITCH
CN.PHOTO.R	: PHOTO FIBER SENSOR,RECEIVED	SW.RT	: ROTARY SWITCH
CN.PHOTO.T	: PHOTO FIBER SENSOR,TRANSMITTED	SW.RT.ENC	: ROTARY ENCODER
D.SCHOTTKY	: SCHOTTKY BARRIER DIODE	SW.RT.MTR	: ROTARY SWITCH WITH MOTOR
DIODE.ARRAY	: DIODE ARRAY	SW.SLIDE	: SLIDE SWITCH
DIODE.BRG	: DIODE BRIDGE	SW.TACT	: TACT SWITCH
DIODE.CHP	: CHIP DIODE	TERM.SP	: SPEAKER TERMINAL
DIODE.VAR	: VARACTOR DIODE	TERM.WRAP	: WRAPPING TERMINAL
DIODE.ZENR	: ZENER DIODE	THRMST.CHP	: CHIP THERMISTOR
DIODE.Z.CHP	: CHIP ZENER DIODE	TR	: TRANSISTOR
DIODE.PHOT	: PHOTO DIODE	TR.CHP	: CHIP TRANSISTOR
FER.BEAD	: FERRITE BEADS	TR.DGT	: DIGITAL TRANSISTOR
FER.CORE	: FERRITE CORE	TR.DGT.CHP	: CHIP DIGITAL TRANSISTOR
FET.CHP	: CHIP FET	TR.PAIR	: PAIR TRANSISTOR
FL.DSPLY	: FLUORESCENT DISPLAY	TRANS	: TRANSFORMER
FLTR.CE	: CERAMIC FILTER	TRANS.PULS	: PULSE TRANSFORMER
FLTR.COMB	: COMB FILTER MODULE	TRANS.PWR	: POWER TRANSFORMER
FLTR.LC.RF	: LC FILTER,EMI	VARISTOR.C	: CHIP VARISTOR
FUSE.CHP	: CHIP FUSE	VOLT.SELCT	: VOLTAGE SELECTOR
GND.MTL	: GROUND PLATE	VR	: ROTARY POTENTIOMETER
GND.TERM	: GROUND TERMINAL	VR.MTR	: POTENTIOMETER WITH MOTOR
JUMPER.CN	: JUMPER CONNECTOR	VR.SLIDE	: SLIDE POTENTIOMETER
JUMPER.TST	: JUMPER,TEST POINT	VR.SW	: POTENTIOMETER WITH SWITCH
L.DTCT	: LIGHT DETECTING MODULE	VR.TRIM	: TRIMMER POTENTIOMETER

INPUT

Ref No.	Part No.	Description	Remarks	Markets	部 品 名	ランク	
*	ZF848000	P. C. B.	INPUT		J	PCB INPUT	
*	ZF848100	P. C. B.	INPUT		UV	PCB INPUT	
*	ZF848200	P. C. B.	INPUT		TK	PCB INPUT	
*	ZF848300	P. C. B.	INPUT		AL	PCB INPUT	
*	ZF848400	P. C. B.	INPUT		B	PCB INPUT	
*	ZF848500	P. C. B.	INPUT		G	PCB INPUT	
	CB801	LB919050	CN. BS. PIN	5P		コネクタ	01
	CB802	VB858200	CN. BS. PIN	3P		コネクタ	01
	CB803	VB858600	CN. BS. PIN	7P		コネクタ	01
	CB804	VB858300	CN. BS. PIN	4P		コネクタ	01
	CB902	VB390300	CN. BS. PIN	7P		コネクタ	01
	CB903	VB390100	CN. BS. PIN	5P		コネクタ	01
	CB904	V9356900	CN. PLUG	19P SE		コネクタプラグ	
	CB905	VL844700	CN. BS. PIN	3P		コネクタ	01
	CB906-909	V9357000	CN	19P TE		コネクタ	
	C801-802	US035100	C. CE. CHP	0.1uF 16V B		チップセラコン	01
	C803-804	WE100500	C. PP	100pF 630V K	TKBG	PPコン	
	C806	US035100	C. CE. CHP	0.1uF 16V B	TKBG	チップセラコン	01
	C807-808	WE100500	C. PP	100pF 630V K	JUALV	PPコン	
*	C809-810	WZ295700	C. PP	0.018uF 100V		PPコン	
	C811-812	WE102900	C. PP	0.01uF 100V J		PPコン	
	C813-816	UU238100	C. EL	100uF 16V		ケミコン	01
	C817-820	UU247470	C. EL	47uF 25V		ケミコン	01
	C821-822	WE100900	C. PP	220pF 630V K		PPコン	02
	C825-826	WE101700	C. PP	1000pF 100V J		PPコン	
	C827-828	VR326200	C. MYLA. CHP	0.01uF 16V		チップマイラーコン	01
	C829-830	UU267100	C. EL	10uF 50V		ケミコン	01
	C831-832	WE102900	C. PP	0.01uF 100V J		PPコン	
	C833-834	WE100100	C. PP	15pF 630V K		PPコン	
	C835	UU267100	C. EL	10uF 50V		ケミコン	01
*	C836-837	WZ362600	C. PP	0.015uF 100V		PPコン	
	C838	UU267100	C. EL	10uF 50V		ケミコン	01
*	C839-840	WZ363700	C. PP	0.056uF 100V		PPコン	
	C841-842	VN510100	C. EL. BP	4.7uF 35V BP		バイポーラケミコン	01
	C843-844	WE102900	C. PP	0.01uF 100V J		PPコン	
	C845-846	UU258100	C. EL	100uF 35V		ケミコン	01
*	C847-848	WZ364300	C. PP	0.1uF 100V		PPコン	
	C849-850	UU258100	C. EL	100uF 35V		ケミコン	01
*	C851-852	WZ364300	C. PP	0.1uF 100V		PPコン	
	C905	WE102900	C. PP	0.01uF 100V J		PPコン	
	C908-909	WE100500	C. PP	100pF 630V K		PPコン	
	C910-919	WE100500	C. PP	100pF 630V K	JUALV	PPコン	
	C920-921	WE100500	C. PP	100pF 630V K		PPコン	
	C922-923	UU266220	C. EL	2.2uF 50V		ケミコン	01
	C924-927	UU267100	C. EL	10uF 50V		ケミコン	01
	C929	UU238470	C. EL	470uF 16V		ケミコン	01
	C930	WE100500	C. PP	100pF 630V K	JUALV	PPコン	
	C930	WE100900	C. PP	220pF 630V K	TKBG	PPコン	02
	C931	WE100500	C. PP	100pF 630V K	JUALV	PPコン	
	C931	WE100900	C. PP	220pF 630V K	TKBG	PPコン	02
	C932	WE100500	C. PP	100pF 630V K	JUALV	PPコン	
	C932	WE100900	C. PP	220pF 630V K	TKBG	PPコン	02
	C933	WE100500	C. PP	100pF 630V K	JUALV	PPコン	
	C933	WE100900	C. PP	220pF 630V K	TKBG	PPコン	02
	C938-941	WE100500	C. PP	100pF 630V K		PPコン	
	C942-943	UU238100	C. EL	100uF 16V		ケミコン	01
	C944-947	WE100200	C. PP	22pF 630V K		PPコン	01

* New Parts / 新規部品

INPUT

Ref No.	Part No.	Description	Remarks	Markets	部 品 名	ランク
C952-955	WE101700	C. PP	1000pF 100V J		PPコン	
C956-959	UU268100	C. EL	100uF 50V		ケミコン	01
C960-967	WE100500	C. PP	100pF 630V K		PPコン	
C968-971	UU257470	C. EL	47uF 35V		ケミコン	01
C972-973	UU258100	C. EL	100uF 35V		ケミコン	01
C975-976	WE100500	C. PP	100pF 630V K		PPコン	
C979-980	WE100500	C. PP	100pF 630V K		PPコン	
C983-984	WE100500	C. PP	100pF 630V K		PPコン	
C987-988	WE100500	C. PP	100pF 630V K		PPコン	
D803-804	WY163400	DIODE. ZENR	UDZV6. 2B		ツェナーダイオード	
D807-813	WW783900	DIODE	1SS355VM		ダイオード	01
D814-815	VU997900	DIODE. ZENR	MAZ8180GML 18. 0V		ツェナーダイオード	01
* D816-817	WY164600	DIODE. ZENR	UDZV20B		ツェナーダイオード	
D903-910	WW783900	DIODE	1SS355VM		ダイオード	01
D912	WW783900	DIODE	1SS355VM		ダイオード	01
D914-916	WW783900	DIODE	1SS355VM		ダイオード	01
D923-924	ZA384800	DIODE. ZENR	TFZGTR13B		ツェナーダイオード	01
D925-940	WW783900	DIODE	1SS355VM		ダイオード	01
* D949-950	WY164600	DIODE. ZENR	UDZV20B		ツェナーダイオード	
D951-952	WW783900	DIODE	1SS355VM		ダイオード	01
IC901	X2420A00	IC	OPA2134UA/2K5		アンプ I C	05
* JK901-904	ZC093800	CN. CANNON	JACK NC3FBH1		キャノンコネクタ	
PJ801	WK523200	JACK. PIN	2P JACK T7431-AAAA		ピンジャック	08
PJ901-903	WK523200	JACK. PIN	2P JACK T7431-AAAA		ピンジャック	08
PJ904-905	WK523300	JACK. PIN	4P JACK T6905-AAAE		ピンジャック	11
Q801	V7421700	TR. CHP	2SC3324-GR, BL		チップトランジスタ	01
Q802-803	V7421800	TR	2SA1312-GR, BL		トランジスタ	01
Q804-805	V7421700	TR. CHP	2SC3324-GR, BL		チップトランジスタ	01
Q806-807	V7421800	TR	2SA1312-GR, BL		トランジスタ	01
Q808-809	V7421700	TR. CHP	2SC3324-GR, BL		チップトランジスタ	01
Q810-811	V7421800	TR	2SA1312-GR, BL		トランジスタ	01
Q812-813	V7421700	TR. CHP	2SC3324-GR, BL		チップトランジスタ	01
Q814-815	V7421800	TR	2SA1312-GR, BL		トランジスタ	01
Q816	V7421700	TR. CHP	2SC3324-GR, BL		チップトランジスタ	01
* Q817-818	WE014600	FET	2SK209-BL (TE85L, F)		F E T	01
Q819	V7421800	TR	2SA1312-GR, BL		トランジスタ	01
Q820-821	V7421700	TR. CHP	2SC3324-GR, BL		チップトランジスタ	01
Q822-823	V7421800	TR	2SA1312-GR, BL		トランジスタ	01
Q824-825	V7421700	TR. CHP	2SC3324-GR, BL		チップトランジスタ	01
Q826	V7421800	TR	2SA1312-GR, BL		トランジスタ	01
* Q827-828	WE014600	FET	2SK209-BL (TE85L, F)		F E T	01
Q829-830	V7421800	TR	2SA1312-GR, BL		トランジスタ	01
* Q831-832	ZD255800	TR	2SAR513P		トランジスタ	
Q833-835	ZD255900	TR	2SCR513P		トランジスタ	
* Q836-837	ZD255800	TR	2SAR513P		トランジスタ	
Q838	ZD255900	TR	2SCR513P		トランジスタ	
Q839	WZ177900	TR	KTC4370A-Y		トランジスタ	01
Q840	WW510000	TR	KTA1659A-Y-U/PF		トランジスタ	01
Q841	WZ177900	TR	KTC4370A-Y		トランジスタ	01
Q842	WW510000	TR	KTA1659A-Y-U/PF		トランジスタ	01
Q901-908	WC883400	TR	2SD2704 K		トランジスタ	
Q909-912	VV556500	TR	2SA1037K Q, R, S		トランジスタ	01
Q913-914	WW782300	TR. DGT	DTG044EUBTL		デジタルトランジスタ	
Q915-918	VH595900	FET	2SK209		F E T	01
Q927	VH595900	FET	2SK209		F E T	01
Q928	V7421700	TR. CHP	2SC3324-GR, BL		チップトランジスタ	01
Q929	VH595900	FET	2SK209		F E T	01

* New Parts / 新規部品

INPUT

Ref No.	Part No.	Description	Remarks	Markets	部 品 名	ランク
Q930	V7421700	TR. CHP	2SC3324-GR, BL		チップトランジスタ	01
Q931	VH595900	FET	2SK209		F E T	01
Q932	V7421700	TR. CHP	2SC3324-GR, BL		チップトランジスタ	01
Q933	VH595900	FET	2SK209		F E T	01
Q934	V7421700	TR. CHP	2SC3324-GR, BL		チップトランジスタ	01
Q935	V7421800	TR	2SA1312-GR, BL		トランジスタ	01
Q936	V7421700	TR. CHP	2SC3324-GR, BL		チップトランジスタ	01
Q937	V7421800	TR	2SA1312-GR, BL		トランジスタ	01
Q938	V7421700	TR. CHP	2SC3324-GR, BL		チップトランジスタ	01
Q939	V7421800	TR	2SA1312-GR, BL		トランジスタ	01
Q940	V7421700	TR. CHP	2SC3324-GR, BL		チップトランジスタ	01
Q941	V7421800	TR	2SA1312-GR, BL		トランジスタ	01
Q942	V7421700	TR. CHP	2SC3324-GR, BL		チップトランジスタ	01
Q943	ZD255900	TR	2SCR513P		トランジスタ	
* Q944	ZD255800	TR	2SAR513P		トランジスタ	
Q945	ZD255900	TR	2SCR513P		トランジスタ	
* Q946	ZD255800	TR	2SAR513P		トランジスタ	
Q947	ZD255900	TR	2SCR513P		トランジスタ	
* Q948	ZD255800	TR	2SAR513P		トランジスタ	
Q949	ZD255900	TR	2SCR513P		トランジスタ	
* Q950	ZD255800	TR	2SAR513P		トランジスタ	
Q951	WM280600	TR	2SC4511 O, P, Y		トランジスタ	04
Q952	WM280500	TR	2SA1725 O, P, Y		トランジスタ	04
R801-802	Vi191700	R. MTL. CHP	47Ω 1/10W		チップ金属被膜抵抗	01
R803-804	Vi192500	R. MTL. CHP	100Ω 1/10W		チップ金属被膜抵抗	01
R805-808	Vi198200	R. MTL. CHP	22KΩ 1/10W D		チップ金属被膜抵抗	01
R809-812	Vi197400	R. MTL. CHP	10KΩ 1/10W		チップ金属被膜抵抗	01
* R813-824	Vi190100	R. MTL. CHP	10Ω 1/10W		チップ金被抵抗	01
R825	Vi194900	R. MTL. CHP	1KΩ 1/10W		チップ金属被膜抵抗	01
* R826-827	Vi190100	R. MTL. CHP	10Ω 1/10W		チップ金被抵抗	01
R828-829	Vi194900	R. MTL. CHP	1KΩ 1/10W		チップ金属被膜抵抗	01
* R830-831	Vi190100	R. MTL. CHP	10Ω 1/10W		チップ金被抵抗	01
R832	Vi194900	R. MTL. CHP	1KΩ 1/10W		チップ金属被膜抵抗	01
* R833-836	Vi193400	R. MTL. CHP	240Ω 1/10W		チップ金被抵抗	01
R837-838	Vi192600	R. MTL. CHP	120Ω 1/10W		チップ金属被膜抵抗	01
R839-840	Vi199000	R. MTL. CHP	47KΩ 1/10W		チップ金属被膜抵抗	01
R841	Vi193300	R. MTL. CHP	220Ω 1/10W	JUALV	チップ金属被膜抵抗	01
R841	Vi194900	R. MTL. CHP	1KΩ 1/10W	TKBG	チップ金属被膜抵抗	01
R842	Vi193300	R. MTL. CHP	220Ω 1/10W	JUALV	チップ金属被膜抵抗	01
R842	Vi194900	R. MTL. CHP	1KΩ 1/10W	TKBG	チップ金属被膜抵抗	01
R843-844	Vi192900	R. MTL. CHP	150Ω 1/10W		チップ金属被膜抵抗	01
* R845	Vi190100	R. MTL. CHP	10Ω 1/10W		チップ金被抵抗	01
R846-847	Vi191700	R. MTL. CHP	47Ω 1/10W		チップ金属被膜抵抗	01
* R848	Vi190100	R. MTL. CHP	10Ω 1/10W		チップ金被抵抗	01
R849	Vi194800	R. MTL. CHP	910Ω 1/10W		チップ金属被膜抵抗	01
R850-851	Vi195100	R. MTL. CHP	1.2KΩ 1/10W		チップ金属被膜抵抗	01
R852	Vi194800	R. MTL. CHP	910Ω 1/10W		チップ金属被膜抵抗	01
R853	Vi191900	R. MTL. CHP	56Ω 1/10W		チップ金属被膜抵抗	01
R854-855	Vi191700	R. MTL. CHP	47Ω 1/10W		チップ金属被膜抵抗	01
R856	Vi191900	R. MTL. CHP	56Ω 1/10W		チップ金属被膜抵抗	01
R857-858	Vi192900	R. MTL. CHP	150Ω 1/10W		チップ金属被膜抵抗	01
* R859-860	Vi198000	R. MTL. CHP	18KΩ 1/10W		チップ金属被膜抵抗	01
R861-862	Vi192500	R. MTL. CHP	100Ω 1/10W		チップ金属被膜抵抗	01
R863-864	Vi196600	R. MTL. CHP	4.7KΩ 1/10W		チップ金属被膜抵抗	01
R865	Vi193300	R. MTL. CHP	220Ω 1/10W		チップ金属被膜抵抗	01
R866-867	Vi192500	R. MTL. CHP	100Ω 1/10W		チップ金属被膜抵抗	01
R868	Vi193300	R. MTL. CHP	220Ω 1/10W		チップ金属被膜抵抗	01

* New Parts / 新規部品

INPUT

Ref No.	Part No.	Description	Remarks	Markets	部 品 名	ランク	
R869	Vi192700	R. MTL. CHP	120Ω	1/10W		チップ金属被膜抵抗	01
* R870	WW970500	R. MTL. OXD	330Ω	1/4W		酸化金属被膜抵抗	
R871-872	Vi192700	R. MTL. CHP	120Ω	1/10W		チップ金属被膜抵抗	01
* R873	WW970500	R. MTL. OXD	330Ω	1/4W		酸化金属被膜抵抗	
R874	Vi192700	R. MTL. CHP	120Ω	1/10W		チップ金属被膜抵抗	01
R875-876	Vi199000	R. MTL. CHP	47KΩ	1/10W		チップ金属被膜抵抗	01
R877-878	Vi196600	R. MTL. CHP	4.7KΩ	1/10W		チップ金属被膜抵抗	01
R879-880	VK583400	R. MTL. CHP	1MΩ	1/10W		チップ金属被膜抵抗	01
* R881	Vi199300	R. MTL. CHP	62KΩ	1/10W		チップ金属被膜抵抗	01
* R882-883	VK583200	R. MTL. CHP	820KΩ	1/10W		チップ金属被膜抵抗	01
* R884	Vi199300	R. MTL. CHP	62KΩ	1/10W		チップ金属被膜抵抗	01
* R885-888	WW968100	R. MTL. OXD	33Ω	1/4W		酸化金属被膜抵抗	
R889-890	Vi200000	R. MTL. CHP	100KΩ	1/10W		チップ金属被膜抵抗	01
R891-892	Vi193300	R. MTL. CHP	220Ω	1/10W		チップ金属被膜抵抗	01
R893-896	Vi198200	R. MTL. CHP	22KΩ	1/10W D		チップ金属被膜抵抗	01
R902-903	V8070900	R. MTL. FLM	100Ω	1W		金属被膜抵抗	01
R904-905	V8072700	R. MTL. OXD	47KΩ	1W J		酸化金属被膜抵抗	01
R906-907	V8070900	R. MTL. FLM	100Ω	1W		金属被膜抵抗	01
R908-909	V8072700	R. MTL. OXD	47KΩ	1W J		酸化金属被膜抵抗	01
R911-912	V8070900	R. MTL. FLM	100Ω	1W		金属被膜抵抗	01
R913-914	V8072700	R. MTL. OXD	47KΩ	1W J		酸化金属被膜抵抗	01
R916-917	V8070900	R. MTL. FLM	100Ω	1W		金属被膜抵抗	01
R918-919	V8072700	R. MTL. OXD	47KΩ	1W J		酸化金属被膜抵抗	01
R1008-1009	Vi199000	R. MTL. CHP	47KΩ	1/10W		チップ金属被膜抵抗	01
R1010-1011	Vi198200	R. MTL. CHP	22KΩ	1/10W D		チップ金属被膜抵抗	01
R1012	HF355470	R. CAR	470Ω	1/2W		カーボン抵抗	
R1013-1020	V8072700	R. MTL. OXD	47KΩ	1W J		酸化金属被膜抵抗	01
R1021	HF355470	R. CAR	470Ω	1/2W		カーボン抵抗	
R1022-1023	HF357470	R. CAR	47KΩ	1/2W		カーボン抵抗	
R1024-1030	V8071300	R. MTL. FLM	470Ω	1W		金属被膜抵抗	01
R1031	HF355470	R. CAR	470Ω	1/2W		カーボン抵抗	
R1032	V8071300	R. MTL. FLM	470Ω	1W		金属被膜抵抗	01
R1033-1035	HF355470	R. CAR	470Ω	1/2W		カーボン抵抗	
R1036-1039	Vi194200	R. MTL. CHP	510Ω	1/10W		チップ金属被膜抵抗	01
R1042-1043	Vi194200	R. MTL. CHP	510Ω	1/10W		チップ金属被膜抵抗	01
R1048-1049	Vi194200	R. MTL. CHP	510Ω	1/10W		チップ金属被膜抵抗	01
R1068-1069	Vi195900	R. MTL. CHP	2.7KΩ	1/10W		チップ金属被膜抵抗	01
R1070-1073	Vi195700	R. MTL. CHP	2.2KΩ	1/10W		チップ金属被膜抵抗	01
R1076-1077	Vi195900	R. MTL. CHP	2.7KΩ	1/10W		チップ金属被膜抵抗	01
R1078-1081	Vi194100	R. MTL. CHP	470Ω	1/10W		チップ金属被膜抵抗	01
R1082-1085	Vi198200	R. MTL. CHP	22KΩ	1/10W D		チップ金属被膜抵抗	01
R1088-1089	Vi197000	R. MTL. CHP	6.8KΩ	1/10W		チップ金属被膜抵抗	01
R1090-1091	V8071500	R. MTL. FLM	680Ω	1W J		金属被膜抵抗	
R1092	Vi197000	R. MTL. CHP	6.8KΩ	1/10W		チップ金属被膜抵抗	01
R1093	Vi198200	R. MTL. CHP	22KΩ	1/10W D		チップ金属被膜抵抗	01
R1094	Vi197000	R. MTL. CHP	6.8KΩ	1/10W		チップ金属被膜抵抗	01
R1095-1097	Vi198200	R. MTL. CHP	22KΩ	1/10W D		チップ金属被膜抵抗	01
R1098-1101	Vi196700	R. MTL. CHP	5.1KΩ	1/10W		チップ金属被膜抵抗	01
R1102-1105	Vi192500	R. MTL. CHP	100Ω	1/10W		チップ金属被膜抵抗	01
R1106-1107	Vi198600	R. MTL. CHP	33KΩ	1/10W		チップ金属被膜抵抗	01
R1108	Vi193500	R. MTL. CHP	270Ω	1/10W		チップ金属被膜抵抗	01
R1109	Vi193200	R. MTL. CHP	200Ω	1/10W		チップ金属被膜抵抗	01
R1110	Vi193500	R. MTL. CHP	270Ω	1/10W		チップ金属被膜抵抗	01
R1111	Vi193200	R. MTL. CHP	200Ω	1/10W		チップ金属被膜抵抗	01
R1112	Vi193500	R. MTL. CHP	270Ω	1/10W		チップ金属被膜抵抗	01
R1113	Vi193200	R. MTL. CHP	200Ω	1/10W		チップ金属被膜抵抗	01
R1114	Vi193500	R. MTL. CHP	270Ω	1/10W		チップ金属被膜抵抗	01

* New Parts / 新規部品

INPUT and FUNCTION

Ref No.	Part No.	Description	Remarks	Markets	部 品 名	ランク
R1115	Vi193200	R. MTL. CHP	200Ω 1/10W		チップ金属被膜抵抗	01
R1116-1123	V8070800	R. MTL. FLM	68Ω 1W		金属被膜抵抗	
R1124-1127	V8070100	R. MTL. FLM	2.2Ω 1W		金属被膜抵抗	01
R1131-1132	Vi198400	R. MTL. CHP	27KΩ 1/10W		チップ金属被膜抵抗	01
RY801-803	WK364200	RELAY	DC EC2-24NU-F		リレー	07
RY901-916	WK364200	RELAY	DC EC2-24NU-F		リレー	07
ST801-805	V4040500	SCR. TERM	M3		スクリューターミナル	01
ST901	WK947700	SCR. TERM	D2.6		ネジ端子	01
ST902-903	WG095100	SCR. TERM	M3		スクリューターミナル	01
* SW801	WY678200	SW. TOGGLE	ATE1D-5M3-10-Z		トグルスイッチ	
	ZF847000	P. C. B.	FUNCTION	J	PCB FUNCTION	
	ZF847100	P. C. B.	FUNCTION	U	PCB FUNCTION	
	ZF847200	P. C. B.	FUNCTION	TK	PCB FUNCTION	
	ZF847300	P. C. B.	FUNCTION	A	PCB FUNCTION	
	ZF847400	P. C. B.	FUNCTION	B	PCB FUNCTION	
	ZF847500	P. C. B.	FUNCTION	G	PCB FUNCTION	
	ZF847600	P. C. B.	FUNCTION	L	PCB FUNCTION	
	ZF847700	P. C. B.	FUNCTION	V	PCB FUNCTION	
△ CB1	VL844700	CN. BS. PIN	3P		コネクタ	01
CB3-4	WN103000	CLIP. FUSE	TP00351-31		ヒューズクリップ	01
CB5	VL844700	CN. BS. PIN	3P		コネクタ	01
CB501	VB389900	CN. BS. PIN	3P		コネクタ	01
CB502	VB390200	CN. BS. PIN	6P		コネクタ	01
CB505	VB390200	CN. BS. PIN	6P		コネクタ	01
CB506	VB389900	CN. BS. PIN	3P		コネクタ	01
CB507	VB390400	CN. BS. PIN	8P		コネクタ	01
CB508	VB390600	CN. BS. PIN	10P		コネクタ	01
CB509	VE352600	CN. BS. PIN	14P		コネクタ	01
CB510	V9356900	CN. PLUG	19P SE		コネクタプラグ	
CB511	VQ047200	CN. BS. PIN	9P		コネクタ	01
CB512	V9356900	CN. PLUG	19P SE		コネクタプラグ	
CB716	V9356900	CN. PLUG	19P SE		コネクタプラグ	
C1	WE102900	C. PP	0.01uF 100V J		PPコン	
C2	UU266220	C. EL	2.2uF 50V		ケミコン	01
C3	UU239330	C. EL	3300uF 16V		ケミコン	02
C4	UU266220	C. EL	2.2uF 50V		ケミコン	01
C5	WE102900	C. PP	0.01uF 100V J		PPコン	
△ C6	V6185300	C. CE. SAFTY	0.01uF 275V		規格認定コンデンサ	01
C7	UU266100	C. EL	1uF 50V		ケミコン	01
* C8	WZ364300	C. PP	0.1uF 100V		PPコン	
* C9	ZF901600	C. EL	3300uF 35V		ケミコン	
* C10	WZ364300	C. PP	0.1uF 100V		PPコン	
C11	WE102900	C. PP	0.01uF 100V J		PPコン	
* C12	ZF901600	C. EL	3300uF 35V		ケミコン	
△ C14	V6185300	C. CE. SAFTY	0.01uF 275V		規格認定コンデンサ	01
* C21-22	WZ364300	C. PP	0.1uF 100V		PPコン	
C23-24	UU238100	C. EL	100uF 16V		ケミコン	01
C25	US035100	C. CE. CHP	0.1uF 16V B		チップセラコン	01
C78-81	UU268100	C. EL	100uF 50V		ケミコン	01
C82-83	UU267330	C. EL	33uF 50V		ケミコン	01
C88-99	UU257470	C. EL	47uF 35V		ケミコン	01
C501-502	US063100	C. CE. CHP	1000pF 50V B		チップセラコン	01
C503	UU266100	C. EL	1uF 50V		ケミコン	01
C508	US064100	C. CE. CHP	0.01uF 50V B		チップセラコン	01

* New Parts / 新規部品

FUNCTION

Ref No.	Part No.	Description	Remarks	Markets	部 品 名	ランク	
C509-522	US035100	C. GE. CHP	0. 1uF	16V B		チップセラコン	01
C523-524	US064100	C. GE. CHP	0. 01uF	50V B		チップセラコン	01
C525-529	US035100	C. GE. CHP	0. 1uF	16V B		チップセラコン	01
C530	US063100	C. GE. CHP	1000pF	50V B		チップセラコン	01
C531-533	US062100	C. GE. CHP	100pF	50V B		チップセラコン	01
C534	UR219100	C. EL	1000uF	6. 3V		ケミコン	
C535	US046100	C. GE. CHP	1uF	25V		チップセラコン	01
C541	US062100	C. GE. CHP	100pF	50V B		チップセラコン	01
C543	US046100	C. GE. CHP	1uF	25V		チップセラコン	01
C544	US064100	C. GE. CHP	0. 01uF	50V B		チップセラコン	01
C546	US064100	C. GE. CHP	0. 01uF	50V B		チップセラコン	01
C548	US064100	C. GE. CHP	0. 01uF	50V B		チップセラコン	01
C549	US061470	C. GE. CHP	47pF	50V B		チップセラコン	01
C550	UR219100	C. EL	1000uF	6. 3V		ケミコン	
C551	US064100	C. GE. CHP	0. 01uF	50V B		チップセラコン	01
C552	US061470	C. GE. CHP	47pF	50V B		チップセラコン	01
C553	US061100	C. GE. CHP	10pF	50V B		チップセラコン	01
* C555	WZ364300	C. PP	0. 1uF	100V		PPコン	
C559	UU238100	C. EL	100uF	16V		ケミコン	01
C560	US035100	C. GE. CHP	0. 1uF	16V B		チップセラコン	01
C561	UU267100	C. EL	10uF	50V		ケミコン	01
C568	WE101700	C. PP	1000pF	100V J		PPコン	
C570-571	US064100	C. GE. CHP	0. 01uF	50V B		チップセラコン	01
C572	UU239100	C. EL	1000uF	16V		ケミコン	01
C573-574	US064100	C. GE. CHP	0. 01uF	50V B		チップセラコン	01
C575-576	US061100	C. GE. CHP	10pF	50V B		チップセラコン	01
C577-578	UU238100	C. EL	100uF	16V		ケミコン	01
C581	US062330	C. GE. CHP	330pF	50V B		チップセラコン	01
C585-586	UU238100	C. EL	100uF	16V		ケミコン	01
C588	US062100	C. GE. CHP	100pF	50V B		チップセラコン	01
C596	US061100	C. GE. CHP	10pF	50V B		チップセラコン	01
C713	UU266100	C. EL	1uF	50V		ケミコン	01
C715	UU267100	C. EL	10uF	50V		ケミコン	01
C716	WK041800	C. EL	10uF	16V		ケミコン	01
C718	UU266100	C. EL	1uF	50V		ケミコン	01
* C719	ZH665100	C. EL	22uF	25V		ケミコン	
C720	UU258100	C. EL	100uF	35V		ケミコン	01
C723	UU258100	C. EL	100uF	35V		ケミコン	01
* C724	ZH665100	C. EL	22uF	25V		ケミコン	
C725	UU237100	C. EL	10uF	16V		ケミコン	01
C727	WK041800	C. EL	10uF	16V		ケミコン	01
C728	UU267100	C. EL	10uF	50V		ケミコン	01
C729-731	US061100	C. GE. CHP	10pF	50V B		チップセラコン	01
C734	UU266100	C. EL	1uF	50V		ケミコン	01
C736	UU237470	C. EL	47uF	16V		ケミコン	01
C737	WK041800	C. EL	10uF	16V		ケミコン	01
C739	WE101700	C. PP	1000pF	100V J		PPコン	
C740	UU266100	C. EL	1uF	50V		ケミコン	01
C741	WE100500	C. PP	100pF	630V K		PPコン	
* C742	ZH665100	C. EL	22uF	25V		ケミコン	
C743	UU258100	C. EL	100uF	35V		ケミコン	01
C745	UU257470	C. EL	47uF	35V		ケミコン	01
C747	UU258100	C. EL	100uF	35V		ケミコン	01
C748	WE101300	C. PP	470pF	100V J		PPコン	01
* C749	ZH665100	C. EL	22uF	25V		ケミコン	
C750	UU237100	C. EL	10uF	16V		ケミコン	01
C751	UU268100	C. EL	100uF	50V		ケミコン	01

* New Parts / 新規部品

FUNCTION

Ref No.	Part No.	Description	Remarks	Markets	部 品 名	ランク
C753	WK041800	C. EL	10uF 16V		ケミコン	01
C754	UU237470	C. EL	47uF 16V		ケミコン	01
C755-757	US061100	C. CE. CHP	10pF 50V B		チップセラコン	01
C758	WE100500	C. PP	100pF 630V K		PPコン	
C759	WE101700	C. PP	1000pF 100V J		PPコン	
C760	WE100500	C. PP	100pF 630V K		PPコン	
* C762-763	WZ363500	C. PP	0.047uF 100V		PPコン	
C764	UU257470	C. EL	47uF 35V		ケミコン	01
C765	WK041800	C. EL	10uF 16V		ケミコン	01
C768	UU266100	C. EL	1uF 50V		ケミコン	01
C769	WE101300	C. PP	470pF 100V J		PPコン	01
* C770	ZH665100	C. EL	22uF 25V		ケミコン	
C771	UU268100	C. EL	100uF 50V		ケミコン	01
C772	UU258100	C. EL	100uF 35V		ケミコン	01
C775	UU258100	C. EL	100uF 35V		ケミコン	01
* C776	ZH665100	C. EL	22uF 25V		ケミコン	
C778	UU237100	C. EL	10uF 16V		ケミコン	01
C779	WE100500	C. PP	100pF 630V K		PPコン	
C781	WK041800	C. EL	10uF 16V		ケミコン	01
* C782-783	WZ363500	C. PP	0.047uF 100V		PPコン	
C784-786	US061100	C. CE. CHP	10pF 50V B		チップセラコン	01
C789-790	UU258100	C. EL	100uF 35V		ケミコン	01
C795	WE101700	C. PP	1000pF 100V J		PPコン	
* C797-798	WZ363500	C. PP	0.047uF 100V		PPコン	
C799	WE100500	C. PP	100pF 630V K		PPコン	
C800	WK041800	C. EL	10uF 16V		ケミコン	01
C803	UU266100	C. EL	1uF 50V		ケミコン	01
C804	WE101300	C. PP	470pF 100V J		PPコン	01
* C805	ZH665100	C. EL	22uF 25V		ケミコン	
C806	UU258100	C. EL	100uF 35V		ケミコン	01
C808	UU268100	C. EL	100uF 50V		ケミコン	01
C809	UU257470	C. EL	47uF 35V		ケミコン	01
C811	UU258100	C. EL	100uF 35V		ケミコン	01
* C812	ZH665100	C. EL	22uF 25V		ケミコン	
C814	UU237100	C. EL	10uF 16V		ケミコン	01
C815	WE100500	C. PP	100pF 630V K		PPコン	
C817	WK041800	C. EL	10uF 16V		ケミコン	01
* C818-819	WZ363500	C. PP	0.047uF 100V		PPコン	
C820-822	US061100	C. CE. CHP	10pF 50V B		チップセラコン	01
C823	WE101700	C. PP	1000pF 100V J		PPコン	
C824	UU257470	C. EL	47uF 35V		ケミコン	01
C825	WE100500	C. PP	100pF 630V K		PPコン	
C826	UU266100	C. EL	1uF 50V		ケミコン	01
C827	WE101300	C. PP	470pF 100V J		PPコン	01
C829	UU237470	C. EL	47uF 16V		ケミコン	01
C830	UU268100	C. EL	100uF 50V		ケミコン	01
C831	WK041800	C. EL	10uF 16V		ケミコン	01
C833	UU266100	C. EL	1uF 50V		ケミコン	01
* C834	ZH665100	C. EL	22uF 25V		ケミコン	
C835	UU258100	C. EL	100uF 35V		ケミコン	01
C837	WE100500	C. PP	100pF 630V K		PPコン	
C839	UU258100	C. EL	100uF 35V		ケミコン	01
* C840	ZH665100	C. EL	22uF 25V		ケミコン	
C841	UU237100	C. EL	10uF 16V		ケミコン	01
C843	WK041800	C. EL	10uF 16V		ケミコン	01
C844	UU237470	C. EL	47uF 16V		ケミコン	01
C845-847	US061100	C. CE. CHP	10pF 50V B		チップセラコン	01

* New Parts / 新規部品

FUNCTION

Ref No.	Part No.	Description	Remarks	Markets	部 品 名	ランク
C848	UU238100	C. EL	100uF 16V		ケミコン	01
C849-850	WE100500	C. PP	100pF 630V K		PPコン	
C851	UU266100	C. EL	1uF 50V		ケミコン	01
C852	WE100500	C. PP	100pF 630V K		PPコン	
C853	UU238100	C. EL	100uF 16V		ケミコン	01
C854	WE100500	C. PP	100pF 630V K		PPコン	
C856	UU267100	C. EL	10uF 50V		ケミコン	01
C857	WK041800	C. EL	10uF 16V		ケミコン	01
C859	UU266100	C. EL	1uF 50V		ケミコン	01
* C860	ZH665100	C. EL	22uF 25V		ケミコン	
C861	UU258100	C. EL	100uF 35V		ケミコン	01
C864	UU258100	C. EL	100uF 35V		ケミコン	01
* C865	ZH665100	C. EL	22uF 25V		ケミコン	
C866	UU237100	C. EL	10uF 16V		ケミコン	01
C868	WK041800	C. EL	10uF 16V		ケミコン	01
C869	UU267100	C. EL	10uF 50V		ケミコン	01
C870-872	US061100	C. GE. CHP	10pF 50V B		チップセラコン	01
C875-878	WE100500	C. PP	100pF 630V K		PPコン	
C884	UU266220	C. EL	2. 2uF 50V		ケミコン	01
C885	UU237100	C. EL	10uF 16V		ケミコン	01
C886	UU238100	C. EL	100uF 16V		ケミコン	01
C887-888	US061100	C. GE. CHP	10pF 50V B		チップセラコン	01
C889-894	US061470	C. GE. CHP	47pF 50V B		チップセラコン	01
C895-896	US035100	C. GE. CHP	0. 1uF 16V B		チップセラコン	01
C900	UU237100	C. EL	10uF 16V		ケミコン	01
D1-4	WW783900	DIODE	1SS355VM		ダイオード	01
* D5	ZC674900	DIODE. ZENR	UDZV3. 0B		ツェナーダイオード	
△ D6	V4756800	DIODE. BRG	S1NB60 1A 600V		ブリッジダイオード	01
D10	WW783900	DIODE	1SS355VM		ダイオード	01
D12	WW783900	DIODE	1SS355VM		ダイオード	01
△ * D14	WY165000	DIODE. ZENR	UDZV30B		ツェナーダイオード	
D20-21	WW783900	DIODE	1SS355VM		ダイオード	01
* D59-60	WY206000	DIODE. ZENR	UDZV3. 3B		ツェナーダイオード	
D501	WW783900	DIODE	1SS355VM		ダイオード	01
D503	WW783900	DIODE	1SS355VM		ダイオード	01
D506-514	WY163300	DIODE. ZENR	UDZV5. 6B		ツェナーダイオード	
D515	WW783900	DIODE	1SS355VM		ダイオード	01
D518	WW783900	DIODE	1SS355VM		ダイオード	01
D519	VV220700	D. SCHOTTKY	RB501V-40		ショットキーダイオード	01
D520-521	WW783900	DIODE	1SS355VM		ダイオード	01
D711	WW783900	DIODE	1SS355VM		ダイオード	01
D713	WW783900	DIODE	1SS355VM		ダイオード	01
D715-721	WW783900	DIODE	1SS355VM		ダイオード	01
D723	WW783900	DIODE	1SS355VM		ダイオード	01
D725	WW783900	DIODE	1SS355VM		ダイオード	01
D728-729	WW783900	DIODE	1SS355VM		ダイオード	01
* D730	ZA385100	DIODE. ZENR	TFZGTR18B 18V		ツェナーダイオード	
* D731	WY164600	DIODE. ZENR	UDZV20B		ツェナーダイオード	
* D732-733	ZA385100	DIODE. ZENR	TFZGTR18B 18V		ツェナーダイオード	
* D734	WY164600	DIODE. ZENR	UDZV20B		ツェナーダイオード	
D735-737	WW783900	DIODE	1SS355VM		ダイオード	01
* D738	ZA385100	DIODE. ZENR	TFZGTR18B 18V		ツェナーダイオード	
D739-740	WW783900	DIODE	1SS355VM		ダイオード	01
D742-743	WW783900	DIODE	1SS355VM		ダイオード	01
D745-749	WW783900	DIODE	1SS355VM		ダイオード	01
D751-752	WW783900	DIODE	1SS355VM		ダイオード	01
D754	WW783900	DIODE	1SS355VM		ダイオード	01

* New Parts / 新規部品

FUNCTION

Ref No.	Part No.	Description	Remarks	Markets	部 品 名	ランク
D757-758	ZA384800	DIODE. ZENR	TFZGTR13B		ツェナーダイオード	01
D759-760	WW783900	DIODE	1SS355VM		ダイオード	01
D761-762	WY163400	DIODE. ZENR	UDZV6. 2B		ツェナーダイオード	
D763	WW783900	DIODE	1SS355VM		ダイオード	01
△ D765-768	WK272200	DIODE. CHP	RB160M-60 TR		チップダイオード	01
△ F1	WU536400	FUSE	10A 250V	J	ヒューズ	
△ F1	WQ211200	FUSE	10A 125V	UV	ヒューズ	01
△ F1	WB760600	FUSE	T6. 3A 250V	TKABGL	ヒューズ	01
IC1	XJ608A00	IC	NJM7812FA		IC	02
△ IC2	XC721A00	IC	NJM7912FA -12V		電源IC	02
IC501	WJ688100	PHOT. CPL	EL816 (B)		フォトカブラ	01
IC502	YC731A00	IC. CPU	R5F364AENFA	unwritten	CPU IC	09
IC503	WJ688100	PHOT. CPL	EL816 (B)		フォトカブラ	01
IC504	YC289A00	IC	RP130Q501D-TR		電源IC	01
IC505	XY549A00	IC	TC74HC4051AFEL		ロジックIC	02
IC506	X9428A00	IC	R1154H058B-T1-F		電源IC	03
IC507	X2973A00	IC	TC7SZ125FU		IC	01
IC710-715	XV763A00	IC	OP275GSR OP AMP		アンプIC	05
IC716	X3505A00	IC	NJM2068MD-TE2		アンプIC	02
* IC717-722	YD731A00	IC	NJU72321		IC	
IC723	WJ688100	PHOT. CPL	EL816 (B)		フォトカブラ	01
JK501-503	V9435700	JACK. MINI	MSJ-035-12APC		モノラルミニジャック	01
* JK505	ZG391200	CN. DIN	MDC-094V-B-PP0		DINコネクター	
Q1	VV655700	TR. DGT	DTC144EKA		デジタルトランジスタ	01
Q2	V3033500	TR. DGT	DTC143XKA		デジタルトランジスタ	01
Q4	VV556400	TR	2SC2412K Q, R, S		トランジスタ	01
Q7	VV556400	TR	2SC2412K Q, R, S		トランジスタ	01
Q9	V3033500	TR. DGT	DTC143XKA		デジタルトランジスタ	01
Q11	VV655700	TR. DGT	DTC144EKA		デジタルトランジスタ	01
Q12	WM280500	TR	2SA1725 O, P, Y		トランジスタ	04
Q51	VV556400	TR	2SC2412K Q, R, S		トランジスタ	01
* Q52	ZD255800	TR	2SAR513P		トランジスタ	
Q53	ZD255900	TR	2SCR513P		トランジスタ	
Q54	VV556500	TR	2SA1037K Q, R, S		トランジスタ	01
* Q55	ZD255800	TR	2SAR513P		トランジスタ	
Q56	ZD255900	TR	2SCR513P		トランジスタ	
△ Q57	WM280500	TR	2SA1725 O, P, Y		トランジスタ	04
△ Q58	WM280600	TR	2SC4511 O, P, Y		トランジスタ	04
△ Q59	WM280500	TR	2SA1725 O, P, Y		トランジスタ	04
△ Q60	WM280600	TR	2SC4511 O, P, Y		トランジスタ	04
△ Q61	WM280500	TR	2SA1725 O, P, Y		トランジスタ	04
△ Q62	WM280600	TR	2SC4511 O, P, Y		トランジスタ	04
△ Q63	WM280500	TR	2SA1725 O, P, Y		トランジスタ	04
△ Q64	WM280600	TR	2SC4511 O, P, Y		トランジスタ	04
△ Q65	WM280500	TR	2SA1725 O, P, Y		トランジスタ	04
△ Q66	WM280600	TR	2SC4511 O, P, Y		トランジスタ	04
△ Q67	WM280500	TR	2SA1725 O, P, Y		トランジスタ	04
△ Q68	WM280600	TR	2SC4511 O, P, Y		トランジスタ	04
Q505-506	WC435100	TR. DGT	KRC104S-RTK		デジタルトランジスタ	01
Q507	WC434800	TR. DGT	KRA102S-RTK/P		デジタルトランジスタ	01
Q508	WC434900	TR. DGT	KRA104S-RTK		デジタルトランジスタ	01
Q509-510	WC435100	TR. DGT	KRC104S-RTK		デジタルトランジスタ	01
Q511	WC434800	TR. DGT	KRA102S-RTK/P		デジタルトランジスタ	01
Q512	WC434900	TR. DGT	KRA104S-RTK		デジタルトランジスタ	01
Q513-514	WC435100	TR. DGT	KRC104S-RTK		デジタルトランジスタ	01
Q515-516	WC434900	TR. DGT	KRA104S-RTK		デジタルトランジスタ	01
Q517-518	WC435100	TR. DGT	KRC104S-RTK		デジタルトランジスタ	01

* New Parts / 新規部品

FUNCTION

Ref No.	Part No.	Description	Remarks	Markets	部 品 名	ランク
Q519-520	WC434900	TR. DGT	KRA104S-RTK		デジタルトランジスタ	01
Q521-522	WC435100	TR. DGT	KRC104S-RTK		デジタルトランジスタ	01
Q523-524	WC434900	TR. DGT	KRA104S-RTK		デジタルトランジスタ	01
Q525	VV655700	TR. DGT	DTC144EKA		デジタルトランジスタ	01
Q526	WC435100	TR. DGT	KRC104S-RTK		デジタルトランジスタ	01
Q527	VV655300	TR. DGT	DTA144EKA		デジタルトランジスタ	01
Q528	WC434900	TR. DGT	KRA104S-RTK		デジタルトランジスタ	01
Q529	VV655700	TR. DGT	DTC144EKA		デジタルトランジスタ	01
Q530	WC435100	TR. DGT	KRC104S-RTK		デジタルトランジスタ	01
Q531	VV655300	TR. DGT	DTA144EKA		デジタルトランジスタ	01
Q532	WC434900	TR. DGT	KRA104S-RTK		デジタルトランジスタ	01
Q533	VV655700	TR. DGT	DTC144EKA		デジタルトランジスタ	01
Q534	WC435100	TR. DGT	KRC104S-RTK		デジタルトランジスタ	01
Q535	VV655300	TR. DGT	DTA144EKA		デジタルトランジスタ	01
Q536-537	WC434900	TR. DGT	KRA104S-RTK		デジタルトランジスタ	01
Q538	WC435100	TR. DGT	KRC104S-RTK		デジタルトランジスタ	01
Q539	VV556500	TR	2SA1037K Q, R, S		トランジスタ	01
Q711	VV556500	TR	2SA1037K Q, R, S		トランジスタ	01
Q712	WC883400	TR	2SD2704 K		トランジスタ	
Q713	VV655700	TR. DGT	DTC144EKA		デジタルトランジスタ	01
Q714	WC883400	TR	2SD2704 K		トランジスタ	
Q715	VV556500	TR	2SA1037K Q, R, S		トランジスタ	01
Q716	WC883400	TR	2SD2704 K		トランジスタ	
Q717	VV655700	TR. DGT	DTC144EKA		デジタルトランジスタ	01
Q718	V7421800	TR	2SA1312-GR, BL		トランジスタ	01
Q719	ZD255900	TR	2SCR513P		トランジスタ	
Q722	WC883400	TR	2SD2704 K		トランジスタ	
Q723-724	VH595900	FET	2SK209		F E T	01
* Q725	ZD255800	TR	2SAR513P		トランジスタ	
Q726	V7421700	TR. CHP	2SC3324-GR, BL		チップトランジスタ	01
Q727-728	WC883400	TR	2SD2704 K		トランジスタ	
Q729	V7421800	TR	2SA1312-GR, BL		トランジスタ	01
Q730	ZD255900	TR	2SCR513P		トランジスタ	
Q733-734	VH595900	FET	2SK209		F E T	01
* Q735	ZD255800	TR	2SAR513P		トランジスタ	
Q736	V7421700	TR. CHP	2SC3324-GR, BL		チップトランジスタ	01
Q737	WM280600	TR	2SC4511 O, P, Y		トランジスタ	04
Q738	WM280500	TR	2SA1725 O, P, Y		トランジスタ	04
Q739	WM280600	TR	2SC4511 O, P, Y		トランジスタ	04
Q740	WM280500	TR	2SA1725 O, P, Y		トランジスタ	04
Q741	WM280600	TR	2SC4511 O, P, Y		トランジスタ	04
Q742	WM280500	TR	2SA1725 O, P, Y		トランジスタ	04
Q743	V7421800	TR	2SA1312-GR, BL		トランジスタ	01
Q744	ZD255900	TR	2SCR513P		トランジスタ	
Q747-748	VH595900	FET	2SK209		F E T	01
* Q749	ZD255800	TR	2SAR513P		トランジスタ	
Q750	WC883400	TR	2SD2704 K		トランジスタ	
Q751	V7421700	TR. CHP	2SC3324-GR, BL		チップトランジスタ	01
Q752	WC883400	TR	2SD2704 K		トランジスタ	
Q753	VV556500	TR	2SA1037K Q, R, S		トランジスタ	01
Q754	V7421800	TR	2SA1312-GR, BL		トランジスタ	01
Q755	ZD255900	TR	2SCR513P		トランジスタ	
Q758-759	VH595900	FET	2SK209		F E T	01
* Q760	ZD255800	TR	2SAR513P		トランジスタ	
Q761	VV655700	TR. DGT	DTC144EKA		デジタルトランジスタ	01
Q762	WC883400	TR	2SD2704 K		トランジスタ	
Q763	V7421700	TR. CHP	2SC3324-GR, BL		チップトランジスタ	01

* New Parts / 新規部品

FUNCTION

Ref No.	Part No.	Description	Remarks	Markets	部 品 名	ランク
Q764	WC883400	TR	2SD2704 K		トランジスタ	
Q765	VV556500	TR	2SA1037K Q, R, S		トランジスタ	01
Q766	WC883400	TR	2SD2704 K		トランジスタ	
Q767	VV655700	TR. DGT	DTC144EKA		デジタルトランジスタ	01
Q768	WC883400	TR	2SD2704 K		トランジスタ	
Q769-770	VV556500	TR	2SA1037K Q, R, S		トランジスタ	01
Q771-774	V7421700	TR. CHP	2SC3324-GR, BL		チップトランジスタ	01
Q775	VV556400	TR	2SC2412K Q, R, S		トランジスタ	01
Q800-807	WC883400	TR	2SD2704 K		トランジスタ	
R15	V8070500	R. MTL. FLM	22Ω 1W		金属被膜抵抗	01
R25	WK787900	R. CEMENT	3.3Ω 10W		セメント抵抗	04
* R66	WA622200	R. MTL. OXD	2.7KΩ 1W		酸化金属被膜抵抗	
R67-68	V8071200	R. MTL. OXD	330Ω 1W J		酸化金属被膜抵抗	01
R69-71	Vi197400	R. MTL. CHP	10KΩ 1/10W		チップ金属被膜抵抗	01
R72-73	V8071200	R. MTL. OXD	330Ω 1W J		酸化金属被膜抵抗	01
R74	Vi197400	R. MTL. CHP	10KΩ 1/10W		チップ金属被膜抵抗	01
* R75	WA622200	R. MTL. OXD	2.7KΩ 1W		酸化金属被膜抵抗	
* R76-77	WA621300	R. MTL. FLM	56Ω 1W		金属被膜抵抗	
R80-81	V8070600	R. MTL. FLM	33Ω 1W		金属被膜抵抗	01
R84-87	V8070600	R. MTL. FLM	33Ω 1W		金属被膜抵抗	01
R88-91	V8070700	R. MTL. FLM	47Ω 1W		金属被膜抵抗	
R656	V8070300	R. MTL. FLM	10Ω 1W		金属被膜抵抗	01
R717	Vi198600	R. MTL. CHP	33KΩ 1/10W		チップ金属被膜抵抗	01
R720	Vi197800	R. MTL. CHP	15KΩ 1/10W		チップ金属被膜抵抗	01
R723	Vi196100	R. MTL. CHP	3.3KΩ 1/10W D		チップ金属被膜抵抗	01
R727	Vi200000	R. MTL. CHP	100KΩ 1/10W		チップ金属被膜抵抗	01
R729	Vi195300	R. MTL. CHP	1.5KΩ 1/10W		チップ金被抵抗	01
R731	Vi195300	R. MTL. CHP	1.5KΩ 1/10W		チップ金被抵抗	01
R733	Vi200000	R. MTL. CHP	100KΩ 1/10W		チップ金属被膜抵抗	01
R734	Vi196100	R. MTL. CHP	3.3KΩ 1/10W D		チップ金属被膜抵抗	01
R739	Vi197800	R. MTL. CHP	15KΩ 1/10W		チップ金属被膜抵抗	01
R742	Vi198600	R. MTL. CHP	33KΩ 1/10W		チップ金属被膜抵抗	01
R753	Vi194900	R. MTL. CHP	1KΩ 1/10W		チップ金属被膜抵抗	01
R756	Vi194100	R. MTL. CHP	470Ω 1/10W		チップ金属被膜抵抗	01
R759	Vi196600	R. MTL. CHP	4.7KΩ 1/10W		チップ金属被膜抵抗	01
R762	Vi193500	R. MTL. CHP	270Ω 1/10W		チップ金属被膜抵抗	01
R764	Vi195700	R. MTL. CHP	2.2KΩ 1/10W		チップ金属被膜抵抗	01
R766	Vi200000	R. MTL. CHP	100KΩ 1/10W		チップ金属被膜抵抗	01
R767	Vi192500	R. MTL. CHP	100Ω 1/10W		チップ金属被膜抵抗	01
R769	Vi195700	R. MTL. CHP	2.2KΩ 1/10W		チップ金属被膜抵抗	01
R771	Vi195700	R. MTL. CHP	2.2KΩ 1/10W		チップ金属被膜抵抗	01
R772	V8070800	R. MTL. FLM	68Ω 1W		金属被膜抵抗	
R774	Vi195300	R. MTL. CHP	1.5KΩ 1/10W		チップ金被抵抗	01
R776	Vi196600	R. MTL. CHP	4.7KΩ 1/10W		チップ金属被膜抵抗	01
R779	Vi200000	R. MTL. CHP	100KΩ 1/10W		チップ金属被膜抵抗	01
R783	Vi194100	R. MTL. CHP	470Ω 1/10W		チップ金属被膜抵抗	01
R785	V8070800	R. MTL. FLM	68Ω 1W		金属被膜抵抗	
R787	Vi198600	R. MTL. CHP	33KΩ 1/10W		チップ金属被膜抵抗	01
R788	Vi194900	R. MTL. CHP	1KΩ 1/10W		チップ金属被膜抵抗	01
R789	Vi197100	R. MTL. CHP	7.5KΩ 1/10W		チップ金属被膜抵抗	01
R790	Vi194100	R. MTL. CHP	470Ω 1/10W		チップ金属被膜抵抗	01
R799	Vi193200	R. MTL. CHP	200Ω 1/10W		チップ金属被膜抵抗	01
R802	Vi193500	R. MTL. CHP	270Ω 1/10W		チップ金属被膜抵抗	01
R804	Vi195700	R. MTL. CHP	2.2KΩ 1/10W		チップ金属被膜抵抗	01
R807	Vi192500	R. MTL. CHP	100Ω 1/10W		チップ金属被膜抵抗	01
R816	V8070800	R. MTL. FLM	68Ω 1W		金属被膜抵抗	
R817	Vi195300	R. MTL. CHP	1.5KΩ 1/10W		チップ金被抵抗	01

* New Parts / 新規部品

FUNCTION

Ref No.	Part No.	Description	Remarks	Markets	部 品 名	ランク
R822	V8070800	R. MTL. FLM	68Ω 1W		金属被膜抵抗	
R826	V8070100	R. MTL. FLM	2.2Ω 1W		金属被膜抵抗	01
R827	Vi197100	R. MTL. CHP	7.5KΩ 1/10W		チップ金属被膜抵抗	01
R828	Vi194100	R. MTL. CHP	470Ω 1/10W		チップ金属被膜抵抗	01
R838	Vi193200	R. MTL. CHP	200Ω 1/10W		チップ金属被膜抵抗	01
R844	V8070100	R. MTL. FLM	2.2Ω 1W		金属被膜抵抗	01
R847-848	Vi197600	R. MTL. CHP	12KΩ 1/10W		チップ金属被膜抵抗	01
R849-850	Vi198400	R. MTL. CHP	27KΩ 1/10W		チップ金属被膜抵抗	01
R851	Vi197600	R. MTL. CHP	12KΩ 1/10W		チップ金属被膜抵抗	01
R855	Vi197600	R. MTL. CHP	12KΩ 1/10W		チップ金属被膜抵抗	01
R857	V8070100	R. MTL. FLM	2.2Ω 1W		金属被膜抵抗	01
R858	Vi193500	R. MTL. CHP	270Ω 1/10W		チップ金属被膜抵抗	01
R860	V8070100	R. MTL. FLM	2.2Ω 1W		金属被膜抵抗	01
R863	Vi195700	R. MTL. CHP	2.2KΩ 1/10W		チップ金属被膜抵抗	01
R864	Vi192500	R. MTL. CHP	100Ω 1/10W		チップ金属被膜抵抗	01
R872	V8070800	R. MTL. FLM	68Ω 1W		金属被膜抵抗	
R874	Vi195300	R. MTL. CHP	1.5KΩ 1/10W		チップ金被抵抗	01
R877	V8070800	R. MTL. FLM	68Ω 1W		金属被膜抵抗	
R879	Vi198600	R. MTL. CHP	33KΩ 1/10W		チップ金属被膜抵抗	01
R881	Vi194100	R. MTL. CHP	470Ω 1/10W		チップ金属被膜抵抗	01
R882	Vi197100	R. MTL. CHP	7.5KΩ 1/10W		チップ金属被膜抵抗	01
R894	Vi193200	R. MTL. CHP	200Ω 1/10W		チップ金属被膜抵抗	01
R900	Vi193500	R. MTL. CHP	270Ω 1/10W		チップ金属被膜抵抗	01
R902	Vi195700	R. MTL. CHP	2.2KΩ 1/10W		チップ金属被膜抵抗	01
R904	Vi192500	R. MTL. CHP	100Ω 1/10W		チップ金属被膜抵抗	01
R910	V8070800	R. MTL. FLM	68Ω 1W		金属被膜抵抗	
R911	Vi194900	R. MTL. CHP	1KΩ 1/10W		チップ金属被膜抵抗	01
R912	Vi195300	R. MTL. CHP	1.5KΩ 1/10W		チップ金被抵抗	01
R916	Vi194100	R. MTL. CHP	470Ω 1/10W		チップ金属被膜抵抗	01
R917	V8070800	R. MTL. FLM	68Ω 1W		金属被膜抵抗	
R921	Vi196600	R. MTL. CHP	4.7KΩ 1/10W		チップ金属被膜抵抗	01
R924	Vi194100	R. MTL. CHP	470Ω 1/10W		チップ金属被膜抵抗	01
R926	Vi197100	R. MTL. CHP	7.5KΩ 1/10W		チップ金属被膜抵抗	01
R927	Vi200000	R. MTL. CHP	100KΩ 1/10W		チップ金属被膜抵抗	01
R930	Vi195700	R. MTL. CHP	2.2KΩ 1/10W		チップ金属被膜抵抗	01
R932	Vi193200	R. MTL. CHP	200Ω 1/10W		チップ金属被膜抵抗	01
R935	Vi195700	R. MTL. CHP	2.2KΩ 1/10W		チップ金属被膜抵抗	01
R937	Vi196600	R. MTL. CHP	4.7KΩ 1/10W		チップ金属被膜抵抗	01
R939	Vi200000	R. MTL. CHP	100KΩ 1/10W		チップ金属被膜抵抗	01
R944	Vi194100	R. MTL. CHP	470Ω 1/10W		チップ金属被膜抵抗	01
R945	Vi194900	R. MTL. CHP	1KΩ 1/10W		チップ金属被膜抵抗	01
R946	V8071500	R. MTL. FLM	680Ω 1W J		金属被膜抵抗	
R953	Vi192500	R. MTL. CHP	100Ω 1/10W		チップ金属被膜抵抗	01
R961	Vi198600	R. MTL. CHP	33KΩ 1/10W		チップ金属被膜抵抗	01
R967	Vi197800	R. MTL. CHP	15KΩ 1/10W		チップ金属被膜抵抗	01
R968	Vi192500	R. MTL. CHP	100Ω 1/10W		チップ金属被膜抵抗	01
R972	Vi196100	R. MTL. CHP	3.3KΩ 1/10W D		チップ金属被膜抵抗	01
R975	Vi200000	R. MTL. CHP	100KΩ 1/10W		チップ金属被膜抵抗	01
R977	V8071500	R. MTL. FLM	680Ω 1W J		金属被膜抵抗	
R979	Vi195300	R. MTL. CHP	1.5KΩ 1/10W		チップ金被抵抗	01
R981	Vi195300	R. MTL. CHP	1.5KΩ 1/10W		チップ金被抵抗	01
R982	Vi200000	R. MTL. CHP	100KΩ 1/10W		チップ金属被膜抵抗	01
R984	Vi196100	R. MTL. CHP	3.3KΩ 1/10W D		チップ金属被膜抵抗	01
R989	Vi197800	R. MTL. CHP	15KΩ 1/10W		チップ金属被膜抵抗	01
R991	Vi198600	R. MTL. CHP	33KΩ 1/10W		チップ金属被膜抵抗	01
△ RY1	V9366900	RELAY	DLS9D1-0 (M) 0.25W		リレー	05
△ RY2	WJ569000	RELAY	DC24V D124D1-0 (M)	JUV	リレー	05

* New Parts / 新規部品

FUNCTION and MAIN

Ref No.	Part No.	Description	Remarks	Markets	部 品 名	ランク	
△	RY2	ZJ328900 RELAY	DC D124D1-0(M)-H		TKABGL	リレー	
	RY711-712	WK364200 RELAY	DC EC2-24NU-F			リレー	07
△	ST1-2	WK947700 SCR. TERM	D2. 6			ネジ端子	01
	ST501-504	WG095100 SCR. TERM	M3			スクリューターミナル	01
	ST711-715	WG095100 SCR. TERM	M3			スクリューターミナル	01
*	SW711-714	WY678200 SW. TOGGLE	ATE1D-5M3-10-Z			トグルスイッチ	
△	T1	X9219A00 TRANS. PWR		J		電源トランス	07
△ *	T1	YF377A00 TRANS. PWR		UV		電源トランス	
△	T1	X9222A00 TRANS. PWR		TKABGL		電源トランス	
△	TE1	ZD539100 INLET. AC	2P R-30190(27) CCC			A Cインレット	
	XL501	WV402100 RSNR. CE	20MHZ CSTLS20MOX51			セラミック振動子	
		WE774300 SCR. BND. HD	3x8 MFZN2W3			バインドBタイトネジ	01
*		ZF846000 P. C. B.	MAIN	J		P C B M A I N	
*		ZF846100 P. C. B.	MAIN	U		P C B M A I N	
*		ZF846200 P. C. B.	MAIN	TK		P C B M A I N	
*		ZF846300 P. C. B.	MAIN	A		P C B M A I N	
*		ZF846400 P. C. B.	MAIN	B		P C B M A I N	
*		ZF846500 P. C. B.	MAIN	G		P C B M A I N	
*		ZF846600 P. C. B.	MAIN	L		P C B M A I N	
*		ZF846700 P. C. B.	MAIN	V		P C B M A I N	
	CB101	VB390200 CN. BS. PIN	6P			コネクタ	01
	CB103	VB858200 CN. BS. PIN	3P			コネクタ	01
	CB109-110	WM280800 BUSHING	EE-12-L40 A-S2000			ブッシュ	01
	CB201	VB390100 CN. BS. PIN	5P			コネクタ	01
	CB205	VB858200 CN. BS. PIN	3P			コネクタ	01
	CB206	LB919020 CN. BS. PIN	2P			コネクタ	01
	CB209-210	WM280800 BUSHING	EE-12-L40 A-S2000			ブッシュ	01
	CB301	VL844700 CN. BS. PIN	3P			コネクタ	01
	CB302-304	VL844800 CN. BS. PIN	4P			コネクタ	01
	CB305	VL844900 CN. BS. PIN	5P			コネクタ	01
	CB306	VB390100 CN. BS. PIN	5P			コネクタ	01
	CB308	VL844700 CN. BS. PIN	3P			コネクタ	01
*	C101-102	UU258220 C. EL	220uF 35V			ケミコン	
	C103	WE100100 C. PP	15pF 630V K			PPコン	
	C104	WE102500 C. PP	4700pF 100V J			PPコン	01
	C105	WE100100 C. PP	15pF 630V K			PPコン	
	C106-107	UU297330 C. EL	33uF 100V			ケミコン	01
	C108-109	UU298470 C. EL	470uF 100V			ケミコン	04
	C110	WE100800 C. PP	180pF 630V K			PPコン	01
	C111	UU298470 C. EL	470uF 100V			ケミコン	04
	C113	UU266470 C. EL	4. 7uF 50V			ケミコン	01
*	C114	WZ363500 C. PP	0. 047uF 100V			PPコン	
	C116	UU298470 C. EL	470uF 100V			ケミコン	04
	C117	WE100800 C. PP	180pF 630V K			PPコン	01
	C118	US035100 C. CE. CHP	0. 1uF 16V B			チップセラコン	01
	C119	VN511100 C. EL. BP	10uF 50V BP			バイポーラケミコン	01
	C120	UU267100 C. EL	10uF 50V			ケミコン	01
	C121	UU247100 C. EL	10uF 25V			ケミコン	01
	C122-123	UU277470 C. EL	47uF 63V			ケミコン	01
	C124-125	UU298220 C. EL	220uF 100V			ケミコン	02
	C126	WE101700 C. PP	1000pF 100V J			PPコン	
	C127	UU267100 C. EL	10uF 50V			ケミコン	01
	C128	WE100200 C. PP	22pF 630V K			PPコン	01
	C129	UU297100 C. EL	10uF 100V			ケミコン	01

* New Parts / 新規部品

MAIN

Ref No.	Part No.	Description	Remarks	Markets	部 品 名	ランク
C130-131	WE100200	C. PP	22pF 630V K		PPコン	01
C132	WE102100	C. PP	2200pF 100V J		PPコン	01
C134	UU267330	C. EL	33uF 50V		ケミコン	01
C145-146	WE100500	C. PP	100pF 630V K		PPコン	
C147	WE100100	C. PP	15pF 630V K		PPコン	
C153-154	WE100500	C. PP	100pF 630V K		PPコン	
* C155-156	UU258220	C. EL	220uF 35V		ケミコン	
* C201-202	UU258220	C. EL	220uF 35V		ケミコン	
C203	WE100100	C. PP	15pF 630V K		PPコン	
C204	WE102500	C. PP	4700pF 100V J		PPコン	01
C205	WE100100	C. PP	15pF 630V K		PPコン	
C206-207	UU297330	C. EL	33uF 100V		ケミコン	01
C208-209	UU298470	C. EL	470uF 100V		ケミコン	04
C210	WE100800	C. PP	180pF 630V K		PPコン	01
C211	UU298470	C. EL	470uF 100V		ケミコン	04
C213	UU266470	C. EL	4. 7uF 50V		ケミコン	01
* C214	WZ363500	C. PP	0. 047uF 100V		PPコン	
C216	UU298470	C. EL	470uF 100V		ケミコン	04
C217	WE100800	C. PP	180pF 630V K		PPコン	01
C218	US035100	C. GE. CHP	0. 1uF 16V B		チップセラコン	01
C219	VN511100	C. EL. BP	10uF 50V BP		バイポーラケミコン	01
C220	UU267100	C. EL	10uF 50V		ケミコン	01
C221	UU247100	C. EL	10uF 25V		ケミコン	01
C222-223	UU277470	C. EL	47uF 63V		ケミコン	01
C224-225	UU298220	C. EL	220uF 100V		ケミコン	02
C226	WE101700	C. PP	1000pF 100V J		PPコン	
C227	UU267100	C. EL	10uF 50V		ケミコン	01
C228	WE100200	C. PP	22pF 630V K		PPコン	01
C229	UU297100	C. EL	10uF 100V		ケミコン	01
C230-231	WE100200	C. PP	22pF 630V K		PPコン	01
C232	WE102100	C. PP	2200pF 100V J		PPコン	01
C234	UU267330	C. EL	33uF 50V		ケミコン	01
C245-246	WE100500	C. PP	100pF 630V K		PPコン	
C247	WE100100	C. PP	15pF 630V K		PPコン	
C253-254	WE100500	C. PP	100pF 630V K		PPコン	
* C255-256	UU258220	C. EL	220uF 35V		ケミコン	
C301	UN866100	C. EL. BP	1uF 50V BP		バイポーラケミコン	01
C304	UN866100	C. EL. BP	1uF 50V BP		バイポーラケミコン	01
C311	WE101700	C. PP	1000pF 100V J	JTKABGL	PPコン	
C311	WE102900	C. PP	0. 01uF 100V J	UV	PPコン	
C312	WE101700	C. PP	1000pF 100V J	JTKABGL	PPコン	
C312	WE102900	C. PP	0. 01uF 100V J	UV	PPコン	
C313	UN866100	C. EL. BP	1uF 50V BP		バイポーラケミコン	01
C314	UU265470	C. EL	0. 47uF 50V		ケミコン	01
* C317-318	ZF901700	C. EL	3300uF 100V		ケミコン	
* C319-320	ZF899000	C. EL	6800uF 50V		ケミコン	
C325	UN866100	C. EL. BP	1uF 50V BP		バイポーラケミコン	01
C326	WE101700	C. PP	1000pF 100V J	JTKABGL	PPコン	
C326	WE102900	C. PP	0. 01uF 100V J	UV	PPコン	
C329	WE101700	C. PP	1000pF 100V J	JTKABGL	PPコン	
C329	WE102900	C. PP	0. 01uF 100V J	UV	PPコン	
C330	UN866100	C. EL. BP	1uF 50V BP		バイポーラケミコン	01
C333	UN866100	C. EL. BP	1uF 50V BP		バイポーラケミコン	01
* D101-102	ZA310700	D. SCHOTTKY	RB520SM-40		ショットキーダイオード	
D103-104	WW783900	DIODE	1SS355VM		ダイオード	01
D106-107	ZA984400	DIODE	BAV103		ダイオード	
D109	WW783900	DIODE	1SS355VM		ダイオード	01

* New Parts / 新規部品

MAIN

Ref No.	Part No.	Description	Remarks	Markets	部 品 名	ランク
D110	WY163400	DIODE. ZENR	UDZV6. 2B		ツェナーダイオード	
* D111	WY164100	DIODE. ZENR	UDZV12B		ツェナーダイオード	
D112-114	WW783900	DIODE	1SS355VM		ダイオード	01
D115	WY163200	DIODE. ZENR	UDZV5. 1B		ツェナーダイオード	01
D116	WW783900	DIODE	1SS355VM		ダイオード	01
D117-118	WY164200	DIODE. ZENR	UDZV13B		ツェナーダイオード	
D119-120	WY163200	DIODE. ZENR	UDZV5. 1B		ツェナーダイオード	01
D121	WY163400	DIODE. ZENR	UDZV6. 2B		ツェナーダイオード	
D122	ZA984400	DIODE	BAV103		ダイオード	
D124	WY163400	DIODE. ZENR	UDZV6. 2B		ツェナーダイオード	
* D125	ZE906900	DIODE	S-202T		ダイオード	
* D130	ZE906900	DIODE	S-202T		ダイオード	
D133-136	WY163200	DIODE. ZENR	UDZV5. 1B		ツェナーダイオード	01
* D201-202	ZA310700	D. SCHOTTKY	RB520SM-40		ショットキーダイオード	
D203-204	WW783900	DIODE	1SS355VM		ダイオード	01
D206-207	ZA984400	DIODE	BAV103		ダイオード	
D209	WW783900	DIODE	1SS355VM		ダイオード	01
D210	WY163400	DIODE. ZENR	UDZV6. 2B		ツェナーダイオード	
* D211	WY164100	DIODE. ZENR	UDZV12B		ツェナーダイオード	
D212-214	WW783900	DIODE	1SS355VM		ダイオード	01
D215	WY163200	DIODE. ZENR	UDZV5. 1B		ツェナーダイオード	01
D216	WW783900	DIODE	1SS355VM		ダイオード	01
D217-218	WY164200	DIODE. ZENR	UDZV13B		ツェナーダイオード	
D219-220	WY163200	DIODE. ZENR	UDZV5. 1B		ツェナーダイオード	01
D221	WY163400	DIODE. ZENR	UDZV6. 2B		ツェナーダイオード	
D222	ZA984400	DIODE	BAV103		ダイオード	
D224	WY163400	DIODE. ZENR	UDZV6. 2B		ツェナーダイオード	
* D225	ZE906900	DIODE	S-202T		ダイオード	
* D230	ZE906900	DIODE	S-202T		ダイオード	
D233-236	WY163200	DIODE. ZENR	UDZV5. 1B		ツェナーダイオード	01
△ D301-302	WK878000	DIODE. BRG	D15XBN20-7001 15A		ブリッジダイオード	07
* D303-304	WY163900	DIODE. ZENR	UDZV10B		ツェナーダイオード	
△ D305-306	WK611100	DIODE. BRG	D6SBN20 6A 200V		ブリッジダイオード	05
* D307-308	WY163900	DIODE. ZENR	UDZV10B		ツェナーダイオード	
D309-310	ZA984400	DIODE	BAV103		ダイオード	
D311-327	WW783900	DIODE	1SS355VM		ダイオード	01
D328-329	ZA984400	DIODE	BAV103		ダイオード	
* D330-333	WY163900	DIODE. ZENR	UDZV10B		ツェナーダイオード	
△ D334-335	WK878000	DIODE. BRG	D15XBN20-7001 15A		ブリッジダイオード	07
IC102	X0515B00	IC	LM61C1Z THERMAL		電源 I C	03
IC202	X0515B00	IC	LM61C1Z THERMAL		電源 I C	03
IC301-304	WJ688100	PHOT. CPL	EL816 (B)		フォトカブラ	01
JY103-104	WK849100	BUS. BAR. 3P	3P		バスバー 3 P	04
JY203-204	WK849100	BUS. BAR. 3P	3P		バスバー 3 P	04
* Q101-102	ZC733700	FET	2SK880-BL (TE85L)		F E T	
△ # Q103	ZE955600	TR	KTC3964-U/PH		トランジスタ	
△ Q104	V3966800	TR	2SA949 0, Y		トランジスタ	02
△ Q106-108	V3966800	TR	2SA949 0, Y		トランジスタ	02
△ Q109	WZ177900	TR	KTC4370A-Y		トランジスタ	01
* Q112	ZC733700	FET	2SK880-BL (TE85L)		F E T	
△ # Q113	ZE903800	FET	MLE20		F E T	
Q114	V7421700	TR. CHP	2SC3324-GR, BL		チップトランジスタ	01
Q115-117	V7421800	TR	2SA1312-GR, BL		トランジスタ	01
Q118	V7421700	TR. CHP	2SC3324-GR, BL		チップトランジスタ	01
△ # Q119	ZE903800	FET	MLE20		F E T	
* Q120	ZC733700	FET	2SK880-BL (TE85L)		F E T	
Q121-122	V7421800	TR	2SA1312-GR, BL		トランジスタ	01

* New Parts / 新規部品 **Note)** Those parts marked with "#" are not included in the P.C.B. assembly. / マーク#の部品は、P.C.B. Ass'yに含まれません。

A-S3000

MAIN

	Ref No.	Part No.	Description	Remarks	Markets	部 品 名	ランク
△	Q123	WZ177900	TR	KTC4370A-Y		トランジスタ	01
	Q124-125	V7421700	TR. CHP	2SC3324-GR, BL		チップトランジスタ	01
	Q127-128	V7421700	TR. CHP	2SC3324-GR, BL		チップトランジスタ	01
△ *	Q129	ZE918100	TR	KTA1664-Y-RTF/P		トランジスタ	
△	Q130	V7421800	TR	2SA1312-GR, BL		トランジスタ	01
△	Q131	V7421700	TR. CHP	2SC3324-GR, BL		チップトランジスタ	01
△	Q132	WK452300	TR	2SC2713 GR		トランジスタ	
	Q133	V7421700	TR. CHP	2SC3324-GR, BL		チップトランジスタ	01
	Q134	V7421800	TR	2SA1312-GR, BL		トランジスタ	01
	Q135	V7421700	TR. CHP	2SC3324-GR, BL		チップトランジスタ	01
△	Q136	WZ177900	TR	KTC4370A-Y		トランジスタ	01
△	Q137	WW510000	TR	KTA1659A-Y-U/PF		トランジスタ	01
△	Q138	WZ177900	TR	KTC4370A-Y		トランジスタ	01
△	Q139	WW510000	TR	KTA1659A-Y-U/PF		トランジスタ	01
	Q148-149	WK452300	TR	2SC2713 GR		トランジスタ	
*	Q201-202	ZC733700	FET	2SK880-BL (TE85L)		F E T	
△ #	Q203	ZE955600	TR	KTC3964-U/PH		トランジスタ	
△	Q204	V3966800	TR	2SA949 O, Y		トランジスタ	02
△	Q206-208	V3966800	TR	2SA949 O, Y		トランジスタ	02
△	Q209	WZ177900	TR	KTC4370A-Y		トランジスタ	01
*	Q212	ZC733700	FET	2SK880-BL (TE85L)		F E T	
△ #	Q213	ZE903800	FET	MLE20		F E T	
	Q214	V7421700	TR. CHP	2SC3324-GR, BL		チップトランジスタ	01
	Q215-217	V7421800	TR	2SA1312-GR, BL		トランジスタ	01
	Q218	V7421700	TR. CHP	2SC3324-GR, BL		チップトランジスタ	01
△ #	Q219	ZE903800	FET	MLE20		F E T	
*	Q220	ZC733700	FET	2SK880-BL (TE85L)		F E T	
	Q221-222	V7421800	TR	2SA1312-GR, BL		トランジスタ	01
△	Q223	WZ177900	TR	KTC4370A-Y		トランジスタ	01
	Q224-225	V7421700	TR. CHP	2SC3324-GR, BL		チップトランジスタ	01
	Q227-228	V7421700	TR. CHP	2SC3324-GR, BL		チップトランジスタ	01
△ *	Q229	ZE918100	TR	KTA1664-Y-RTF/P		トランジスタ	
△	Q230	V7421800	TR	2SA1312-GR, BL		トランジスタ	01
△	Q231	V7421700	TR. CHP	2SC3324-GR, BL		チップトランジスタ	01
△	Q232	WK452300	TR	2SC2713 GR		トランジスタ	
	Q233	V7421700	TR. CHP	2SC3324-GR, BL		チップトランジスタ	01
	Q234	V7421800	TR	2SA1312-GR, BL		トランジスタ	01
	Q235	V7421700	TR. CHP	2SC3324-GR, BL		チップトランジスタ	01
△	Q236	WZ177900	TR	KTC4370A-Y		トランジスタ	01
△	Q237	WW510000	TR	KTA1659A-Y-U/PF		トランジスタ	01
△	Q238	WZ177900	TR	KTC4370A-Y		トランジスタ	01
△	Q239	WW510000	TR	KTA1659A-Y-U/PF		トランジスタ	01
	Q248-249	WK452300	TR	2SC2713 GR		トランジスタ	
	Q301-302	V7421700	TR. CHP	2SC3324-GR, BL		チップトランジスタ	01
	Q303	V7421800	TR	2SA1312-GR, BL		トランジスタ	01
	Q304-306	V7421700	TR. CHP	2SC3324-GR, BL		チップトランジスタ	01
	R73-80	Vi197200	R. MTL. CHP	8. 2KΩ 1/10W		チップ金属被膜抵抗	01
	R81-82	VK581400	R. MTL. CHP	150KΩ 1/10W		チップ金属被膜抵抗	01
	R83-84	Vi197200	R. MTL. CHP	8. 2KΩ 1/10W		チップ金属被膜抵抗	01
	R85-86	VK581400	R. MTL. CHP	150KΩ 1/10W		チップ金属被膜抵抗	01
	R87-88	Vi197200	R. MTL. CHP	8. 2KΩ 1/10W		チップ金属被膜抵抗	01
	R89-92	Vi198600	R. MTL. CHP	33KΩ 1/10W		チップ金属被膜抵抗	01
	R93-94	Vi200000	R. MTL. CHP	100KΩ 1/10W		チップ金属被膜抵抗	01
△	R96-99	HL225560	R. MTL. OXD	560Ω 2W		酸化金属被膜抵抗	01
	R101-102	V8073000	R. MTL. OXD	100KΩ 1W		酸化金属被膜抵抗	
	R103	WN462100	R. MTL. OXD	2. 2KΩ 1W		酸化金属被膜抵抗	02
	R104	V8072000	R. MTL. OXD	4. 7KΩ 1W		酸化金属被膜抵抗	

* New Parts / 新規部品 **Note)** Those parts marked with "#" are not included in the P.C.B. assembly. / マーク#の部品は、P.C.B. Ass'yに含まれません。

MAIN

Ref No.	Part No.	Description	Remarks	Markets	部 品 名	ランク
* R105	WA621300	R. MTL. FLM	56 Ω	1W	金属被膜抵抗	
R106	WN462200	R. MTL. OXD	33K Ω	1W	酸化金属被膜抵抗	02
R107	V8072300	R. MTL. OXD	10K Ω	1W	酸化金属被膜抵抗	
R108	V8072000	R. MTL. OXD	4.7K Ω	1W	酸化金属被膜抵抗	
R109	WN462100	R. MTL. OXD	2.2K Ω	1W	酸化金属被膜抵抗	02
R110	WN462200	R. MTL. OXD	33K Ω	1W	酸化金属被膜抵抗	02
* R112	Vi197300	R. MTL. CHP	9.1K Ω	1/10W	チップ金属被膜抵抗	01
* R113	Vi190100	R. MTL. CHP	10 Ω	1/10W	チップ金被抵抗	01
R114	WA621400	R. MTL. OXD	82 Ω	1W J	酸化金属被膜抵抗	01
* R115	Vi190100	R. MTL. CHP	10 Ω	1/10W	チップ金被抵抗	01
R116	V8071700	R. MTL. OXD	1.5K Ω	1W	酸化金属被膜抵抗	01
* R117	WA622100	R. MTL. OXD	1.8K Ω	1W	酸化金属被膜抵抗	
R118	V8070200	R. MTL. FLM	4.7 Ω	1W	金属被膜抵抗	
R119	V8070900	R. MTL. FLM	100 Ω	1W	金属被膜抵抗	01
R124	V8070000	R. MTL. FLM	1 Ω	1W	金属被膜抵抗	01
R125-126	WA621900	R. MTL. FLM	820 Ω	1W	金属被膜抵抗	
R127	Vi192500	R. MTL. CHP	100 Ω	1/10W	チップ金属被膜抵抗	01
* R129	ZG213300	R. WW	0.1 Ω	5W	セメント抵抗	
R136	V8070200	R. MTL. FLM	4.7 Ω	1W	金属被膜抵抗	
* R146	ZG213300	R. WW	0.1 Ω	5W	セメント抵抗	
R153	V8070000	R. MTL. FLM	1 Ω	1W	金属被膜抵抗	01
R155	WW966900	R. MTL. OXD	10 Ω	1/4W	酸化金属被膜抵抗	
R156	V8070900	R. MTL. FLM	100 Ω	1W	金属被膜抵抗	01
R157	V8070200	R. MTL. FLM	4.7 Ω	1W	金属被膜抵抗	
R158	V8071700	R. MTL. OXD	1.5K Ω	1W	酸化金属被膜抵抗	01
* R159	WA622100	R. MTL. OXD	1.8K Ω	1W	酸化金属被膜抵抗	
R170-171	Vi195700	R. MTL. CHP	2.2K Ω	1/10W	チップ金属被膜抵抗	01
△ R172	V8070900	R. MTL. FLM	100 Ω	1W	金属被膜抵抗	01
R173	Vi197400	R. MTL. CHP	10K Ω	1/10W	チップ金属被膜抵抗	01
△ R174	V8070900	R. MTL. FLM	100 Ω	1W	金属被膜抵抗	01
R175	Vi197800	R. MTL. CHP	15K Ω	1/10W	チップ金属被膜抵抗	01
R178	V8070900	R. MTL. FLM	100 Ω	1W	金属被膜抵抗	01
R179	Vi196800	R. MTL. CHP	5.6K Ω	1/10W	チップ金属被膜抵抗	01
R180	Vi192500	R. MTL. CHP	100 Ω	1/10W	チップ金属被膜抵抗	01
R182	Vi198600	R. MTL. CHP	33K Ω	1/10W	チップ金属被膜抵抗	01
R183	V8070900	R. MTL. FLM	100 Ω	1W	金属被膜抵抗	01
R184	Vi197400	R. MTL. CHP	10K Ω	1/10W	チップ金属被膜抵抗	01
R185	Vi197000	R. MTL. CHP	6.8K Ω	1/10W	チップ金属被膜抵抗	01
R186	Vi197600	R. MTL. CHP	12K Ω	1/10W	チップ金属被膜抵抗	01
R187	Vi200000	R. MTL. CHP	100K Ω	1/10W	チップ金属被膜抵抗	01
R188	V8070900	R. MTL. FLM	100 Ω	1W	金属被膜抵抗	01
R190-191	Vi192500	R. MTL. CHP	100 Ω	1/10W	チップ金属被膜抵抗	01
R192-193	WW966100	R. MTL. OXD	4.7 Ω	1/4W	酸化金属被膜抵抗	
△ R194	HL225560	R. MTL. OXD	560 Ω	2W	酸化金属被膜抵抗	01
R195-196	Vi193300	R. MTL. CHP	220 Ω	1/10W	チップ金属被膜抵抗	01
△ R197	HL225560	R. MTL. OXD	560 Ω	2W	酸化金属被膜抵抗	01
R198-199	HL214330	R. MTL. OXD	33 Ω	1W	酸化金属被膜抵抗	01
R200	Vi197600	R. MTL. CHP	12K Ω	1/10W	チップ金属被膜抵抗	01
R201-202	V8073000	R. MTL. OXD	100K Ω	1W	酸化金属被膜抵抗	
R203	WN462100	R. MTL. OXD	2.2K Ω	1W	酸化金属被膜抵抗	02
R204	V8072000	R. MTL. OXD	4.7K Ω	1W	酸化金属被膜抵抗	
* R205	WA621300	R. MTL. FLM	56 Ω	1W	金属被膜抵抗	
R206	WN462200	R. MTL. OXD	33K Ω	1W	酸化金属被膜抵抗	02
R207	V8072300	R. MTL. OXD	10K Ω	1W	酸化金属被膜抵抗	
R208	V8072000	R. MTL. OXD	4.7K Ω	1W	酸化金属被膜抵抗	
R209	WN462100	R. MTL. OXD	2.2K Ω	1W	酸化金属被膜抵抗	02
R210	WN462200	R. MTL. OXD	33K Ω	1W	酸化金属被膜抵抗	02

* New Parts / 新規部品

MAIN

Ref No.	Part No.	Description	Remarks	Markets	部 品 名	ランク	
* R212	Vi197300	R. MTL. CHP	9. 1KΩ	1/10W		チップ金属被膜抵抗	01
* R213	Vi190100	R. MTL. CHP	10Ω	1/10W		チップ金被抵抗	01
R214	WA621400	R. MTL. OXD	82Ω	1W J		酸化金属被膜抵抗	01
* R215	Vi190100	R. MTL. CHP	10Ω	1/10W		チップ金被抵抗	01
R216	V8071700	R. MTL. OXD	1. 5KΩ	1W		酸化金属被膜抵抗	01
* R217	WA622100	R. MTL. OXD	1. 8KΩ	1W		酸化金属被膜抵抗	
R218	V8070200	R. MTL. FLM	4. 7Ω	1W		金属被膜抵抗	
R219	V8070900	R. MTL. FLM	100Ω	1W		金属被膜抵抗	01
R224	V8070000	R. MTL. FLM	1Ω	1W		金属被膜抵抗	01
R225-226	WA621900	R. MTL. FLM	820Ω	1W		金属被膜抵抗	
R227	Vi192500	R. MTL. CHP	100Ω	1/10W		チップ金属被膜抵抗	01
* R229	ZG213300	R. WW	0. 1Ω	5W		セメント抵抗	
R236	V8070200	R. MTL. FLM	4. 7Ω	1W		金属被膜抵抗	
* R246	ZG213300	R. WW	0. 1Ω	5W		セメント抵抗	
R253	V8070000	R. MTL. FLM	1Ω	1W		金属被膜抵抗	01
R255	WW966900	R. MTL. OXD	10Ω	1/4W		酸化金属被膜抵抗	
R256	V8070900	R. MTL. FLM	100Ω	1W		金属被膜抵抗	01
R257	V8070200	R. MTL. FLM	4. 7Ω	1W		金属被膜抵抗	
R258	V8071700	R. MTL. OXD	1. 5KΩ	1W		酸化金属被膜抵抗	01
* R259	WA622100	R. MTL. OXD	1. 8KΩ	1W		酸化金属被膜抵抗	
△ R270-271	Vi195700	R. MTL. CHP	2. 2KΩ	1/10W		チップ金属被膜抵抗	01
△ R272	V8070900	R. MTL. FLM	100Ω	1W		金属被膜抵抗	01
△ R273	Vi197400	R. MTL. CHP	10KΩ	1/10W		チップ金属被膜抵抗	01
△ R274	V8070900	R. MTL. FLM	100Ω	1W		金属被膜抵抗	01
R275	Vi197800	R. MTL. CHP	15KΩ	1/10W		チップ金属被膜抵抗	01
R278	Vi192500	R. MTL. CHP	100Ω	1/10W		チップ金属被膜抵抗	01
R279	Vi196800	R. MTL. CHP	5. 6KΩ	1/10W		チップ金属被膜抵抗	01
R280	V8070900	R. MTL. FLM	100Ω	1W		金属被膜抵抗	01
R282	Vi198600	R. MTL. CHP	33KΩ	1/10W		チップ金属被膜抵抗	01
R283	V8070900	R. MTL. FLM	100Ω	1W		金属被膜抵抗	01
R284	Vi197400	R. MTL. CHP	10KΩ	1/10W		チップ金属被膜抵抗	01
R285	Vi197000	R. MTL. CHP	6. 8KΩ	1/10W		チップ金属被膜抵抗	01
R286	Vi197600	R. MTL. CHP	12KΩ	1/10W		チップ金属被膜抵抗	01
R287	Vi200000	R. MTL. CHP	100KΩ	1/10W		チップ金属被膜抵抗	01
R288	V8070900	R. MTL. FLM	100Ω	1W		金属被膜抵抗	01
R290-291	Vi192500	R. MTL. CHP	100Ω	1/10W		チップ金属被膜抵抗	01
R292-293	WW966100	R. MTL. OXD	4. 7Ω	1/4W		酸化金属被膜抵抗	
△ R294	HL225560	R. MTL. OXD	560Ω	2W		酸化金属被膜抵抗	01
△ R295-296	Vi193300	R. MTL. CHP	220Ω	1/10W		チップ金属被膜抵抗	01
△ R297	HL225560	R. MTL. OXD	560Ω	2W		酸化金属被膜抵抗	01
R298-299	HL214330	R. MTL. OXD	33Ω	1W		酸化金属被膜抵抗	01
R301	V8072300	R. MTL. OXD	10KΩ	1W		酸化金属被膜抵抗	
R303	V8072300	R. MTL. OXD	10KΩ	1W		酸化金属被膜抵抗	
R304	Vi197600	R. MTL. CHP	12KΩ	1/10W		チップ金属被膜抵抗	01
R400-403	Vi194900	R. MTL. CHP	1KΩ	1/10W		チップ金属被膜抵抗	01
R404-405	Vi193300	R. MTL. CHP	220Ω	1/10W		チップ金属被膜抵抗	01
* R406	WW970900	R. MTL. OXD	470Ω	1/4W		酸化金属被膜抵抗	
* R408	WW970900	R. MTL. OXD	470Ω	1/4W		酸化金属被膜抵抗	
ST101-104	WG095100	SCR. TERM	M3			スクリューターミナル	01
ST201-204	WG095100	SCR. TERM	M3			スクリューターミナル	01
ST301-312	WK947700	SCR. TERM	D2. 6			ネジ端子	01
ST325	WK947700	SCR. TERM	D2. 6			ネジ端子	01
* VR101	ZC109700	VR. TRIM	B 2KΩ			半固定ボリューム	
* VR102	ZC109200	VR. TRIM	B 100Ω FUSE 3P			半固定ボリューム	
* VR103	ZC110000	VR. TRIM	B 10KΩ			半固定ボリューム	
* VR201	ZC109700	VR. TRIM	B 2KΩ			半固定ボリューム	
* VR202	ZC109200	VR. TRIM	B 100Ω FUSE 3P			半固定ボリューム	

* New Parts / 新規部品

MAIN and FRONT

Ref No.	Part No.	Description	Remarks	Markets	部 品 名	ランク	
* #	VR203	ZC110000 VR. TRIM ZF206200 C. EL	B 10K Ω 22000uF 63V	±B1, ±B2, ±B3, ±B4		半固定ボリューム ケミコン	
*		ZF848900 P. C. B.	FRONT	BL, BP	J	PCB FRONT	
*		ZF853700 P. C. B.	FRONT	SI, SP	J	PCB FRONT	
*		ZF849000 P. C. B.	FRONT	BL, BP	U	PCB FRONT	
*		ZF853800 P. C. B.	FRONT	SI, SP	U	PCB FRONT	
*		ZF849100 P. C. B.	FRONT	BL, BP	T	PCB FRONT	
*		ZF853900 P. C. B.	FRONT	SI, SP	T	PCB FRONT	
*		ZF849200 P. C. B.	FRONT	BL, BP	K	PCB FRONT	
*		ZF854000 P. C. B.	FRONT	SI, SP	K	PCB FRONT	
*		ZF849300 P. C. B.	FRONT	BL, BP	A	PCB FRONT	
*		ZF854100 P. C. B.	FRONT	SI, SP	A	PCB FRONT	
*		ZF849400 P. C. B.	FRONT	BL, BP	B	PCB FRONT	
*		ZF854200 P. C. B.	FRONT	SI, SP	B	PCB FRONT	
*		ZF849500 P. C. B.	FRONT	BL, BP	G	PCB FRONT	
*		ZF854300 P. C. B.	FRONT	SI, SP	G	PCB FRONT	
*		ZF849600 P. C. B.	FRONT	BL, BP	L	PCB FRONT	
*		ZF854400 P. C. B.	FRONT	SI, SP	L	PCB FRONT	
*		ZF849700 P. C. B.	FRONT	BL, BP	V	PCB FRONT	
*		ZF854500 P. C. B.	FRONT	SI, SP	V	PCB FRONT	
	CB401	LB919030 CN. BS. PIN	3P			コネクタ	01
	CB402	VB389800 CN. BS. PIN	2P			コネクタ	01
	CB403	LB919040 CN. BS. PIN	4P			コネクタ	01
	CB404	VB389900 CN. BS. PIN	3P			コネクタ	01
	CB405	VB390600 CN. BS. PIN	10P			コネクタ	01
	CB406	VE352600 CN. BS. PIN	14P			コネクタ	01
	CB407	VB390000 CN. BS. PIN	4P			コネクタ	01
	CB410	VB390400 CN. BS. PIN	8P			コネクタ	01
	C401	US035100 C. CE. CHP	0.1uF 16V B			チップセラコン	01
	C402	UU237470 C. EL	47uF 16V			ケミコン	01
	C403	US035100 C. CE. CHP	0.1uF 16V B			チップセラコン	01
	C404	UN866100 C. EL. BP	1uF 50V BP			バイポーラケミコン	01
	C405	WE102900 C. PP	0.01uF 100V J			PPコン	
	C407	WE102900 C. PP	0.01uF 100V J			PPコン	
	C409	WE102900 C. PP	0.01uF 100V J			PPコン	
	C411	UU267100 C. EL	10uF 50V			ケミコン	01
	C412	UR238100 C. EL	100uF 16V			ケミコン	
	C413	US035100 C. CE. CHP	0.1uF 16V B			チップセラコン	01
	C414-416	US662100 C. CE. CHP	100pF 50V			チップセラコン	
	C417-418	WE102900 C. PP	0.01uF 100V J	KBG		PPコン	
	C423-424	WE102900 C. PP	0.01uF 100V J	KBG		PPコン	
	C451-452	UU237470 C. EL	47uF 16V			ケミコン	01
	C453-454	US634100 C. CE. CHP	0.01uF 16V			チップセラコン	01
	C455	WE102900 C. PP	0.01uF 100V J			PPコン	
	C456-457	UU266100 C. EL	1uF 50V			ケミコン	01
	C458-459	US661100 C. CE. CHP	10pF 50V D			チップセラコン	01
	C460-464	US662100 C. CE. CHP	100pF 50V			チップセラコン	
	C465	WW169100 C. MYLAR	1uF 100V			マイラーコン	02
	C466	US662100 C. CE. CHP	100pF 50V			チップセラコン	
	C467	WE102900 C. PP	0.01uF 100V J			PPコン	
	C468-469	UU266100 C. EL	1uF 50V			ケミコン	01
	C470-471	US661100 C. CE. CHP	10pF 50V D			チップセラコン	01
	C472-476	US662100 C. CE. CHP	100pF 50V			チップセラコン	
	C477	WW169100 C. MYLAR	1uF 100V			マイラーコン	02

* New Parts / 新規部品 **Note)** Those parts marked with "# are not included in the P.C.B. assembly. / マーク#の部品は、P.C.B. Ass'yに含まれません。

A-S3000

FRONT

Ref No.	Part No.	Description	Remarks	Markets	部 品 名	ランク
C478	US662100	C. CE. CHP	100pF 50V		チップセラコン	
C479-480	UU237470	C. EL	47uF 16V		ケミコン	01
C481-482	US634100	C. CE. CHP	0.01uF 16V		チップセラコン	01
C483	UU247470	C. EL	47uF 25V		ケミコン	01
C484	US662100	C. CE. CHP	100pF 50V		チップセラコン	
C485-486	UU237470	C. EL	47uF 16V		ケミコン	01
C487	US035100	C. CE. CHP	0.1uF 16V B		チップセラコン	01
C488	US046100	C. CE. CHP	1uF 25V		チップセラコン	01
C489	WG251600	C. CE. CHP	4.7uF 6.3V		チップセラコン	01
* C490-491	UR246470	C. EL	4.7uF 25V		ケミコン	
C492-493	UR237470	C. EL	47uF 16V		ケミコン	01
C495	US035100	C. CE. CHP	0.1uF 16V B		チップセラコン	01
C496	US662100	C. CE. CHP	100pF 50V		チップセラコン	
D401	WY163200	DIODE. ZENR	UDZV5.1B		ツェナーダイオード	01
D402-405	WA467800	LED	SEL6910A-CD ORANGE		LED	01
D406-407	WW783900	DIODE	1SS355VM		ダイオード	01
D408-410	WA467800	LED	SEL6910A-CD ORANGE		LED	01
D411	WW783900	DIODE	1SS355VM		ダイオード	01
D412-413	WA467800	LED	SEL6910A-CD ORANGE		LED	01
* D414	ZA384300	DIODE. ZENR	TFZGTR7.5B 7.5V		ツェナーダイオード	
D415-416	WW783900	DIODE	1SS355VM		ダイオード	01
D417	WA467800	LED	SEL6910A-CD ORANGE		LED	01
D418-425	WW783900	DIODE	1SS355VM		ダイオード	01
* D426	ZC674600	DIODE. ZENR	UDZV2.0B		ツェナーダイオード	
D427	WY163200	DIODE. ZENR	UDZV5.1B		ツェナーダイオード	01
D428-433	WW783900	DIODE	1SS355VM		ダイオード	01
* D434	ZC674600	DIODE. ZENR	UDZV2.0B		ツェナーダイオード	
D435	WY163200	DIODE. ZENR	UDZV5.1B		ツェナーダイオード	01
D436-439	WW783900	DIODE	1SS355VM		ダイオード	01
IC401	XF494A00	IC	LB1641		IC	03
* IC402	YE686A00	IC	LC709004AMJ-AH		IC	
* IC403-409	YF330A00	IC	BA8522RFVM OPAMP		IC	
IC410	X8404A00	IC	TC7SET125FU(TE85LF		ロジックIC	01
IC411	YC288A00	IC	RP130Q331D-TR-F		電源IC	01
* IC412	YF330A00	IC	BA8522RFVM OPAMP		IC	
* JK401	ZA125800	JACK. PHONE	JY-6359#03-090G BL	BL, BP	PHONESジャック	
* JK401	ZA125900	JACK. PHONE	JY-6359#J3-090G SI	SI, SP	PHONESジャック	
PN403	WS488500	STYLE. PIN	L=90 #18		スタイルピン	01
Q401	WC434900	TR. DGT	KRA104S-RTK		デジタルトランジスタ	01
Q402	WC435100	TR. DGT	KRC104S-RTK		デジタルトランジスタ	01
Q404	VV655400	TR. DGT	DTC114EKA		デジタルトランジスタ	01
Q408	WH199400	TR. ARRAY	HN4C06J		トランジスタアレイ	01
* Q410-411	ZG161800	FET	RSM002N06		FET	
Q412	WH199400	TR. ARRAY	HN4C06J		トランジスタアレイ	01
* Q414-417	ZG161800	FET	RSM002N06		FET	
* Q418-420	ZE918100	TR	KTA1664-Y-RTF/P		トランジスタ	
Q421	WZ461800	TR. CHP	2SC4081UBTLR		チップトランジスタ	01
Q422	WC434900	TR. DGT	KRA104S-RTK		デジタルトランジスタ	01
Q423	WC435100	TR. DGT	KRC104S-RTK		デジタルトランジスタ	01
Q426	WC435100	TR. DGT	KRC104S-RTK		デジタルトランジスタ	01
* Q427-428	ZG161800	FET	RSM002N06		FET	
* Q429-430	ZE918100	TR	KTA1664-Y-RTF/P		トランジスタ	
Q431-432	WC434900	TR. DGT	KRA104S-RTK		デジタルトランジスタ	01
Q433-436	WC883400	TR	2SD2704 K		トランジスタ	
R405	WW965300	R. MTL. OXD	2.2Ω 1/4W		酸化金属被膜抵抗	
R408	WW966900	R. MTL. OXD	10Ω 1/4W		酸化金属被膜抵抗	
R426	WW965300	R. MTL. OXD	2.2Ω 1/4W		酸化金属被膜抵抗	

* New Parts / 新規部品

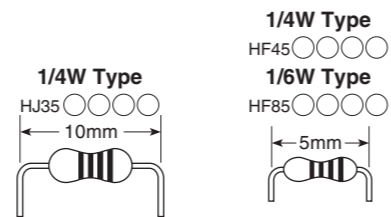
FRONT

Ref No.	Part No.	Description	Remarks	Markets	部 品 名	ランク
R430	WW965300	R. MTL. OXD	2. 2Ω	1/4W	酸化金属被膜抵抗	
R451-452	V8070300	R. MTL. FLM	10Ω	1W	金属被膜抵抗	01
R550	HL005220	R. MTL. OXD	220Ω	1/2W	酸化金属被膜抵抗	
R551	HL005270	R. MTL. OXD	270Ω	1/2W	酸化金属被膜抵抗	
R552	HL005470	R. MTL. OXD	470Ω	1/2W	酸化金属被膜抵抗	
R562	HL005270	R. MTL. OXD	270Ω	1/2W	酸化金属被膜抵抗	
R563	HL005470	R. MTL. OXD	470Ω	1/2W	酸化金属被膜抵抗	
RY401	WK364200	RELAY	DC EC2-24NU-F		リレー	07
RY402-405	VK438300	RELAY	DH24D2-0T/M2		リレー	04
ST401	WA246200	SCR. TERM	3. 5		スクリューターミナル	
SW401	WM058500	SW. LEVER	AS-500B-M-PC-A01		レバースイッチ	06
SW402	WM058600	SW. LEVER	AS-500A-M-PC-A02		レバースイッチ	06
SW403	WK707500	SW. RT	SRRM1C7800		ロータリースイッチ	11
SW404-405	WK710900	SW. RT	SRBM140700		ロータリースイッチ	08
* SW406	ZG170400	SW. RT	SRBM131300		ロータリースイッチ	
SW407	WM058600	SW. LEVER	AS-500A-M-PC-A02		レバースイッチ	06
* TH401-402	ZH923700	THRMST. CHP	NCP18WD683J03RB		チップサーミスタ	
VR401	WK707400	VR. MOTOR	B 10KΩ		モーター駆動ボリューム	09
* VR402-404	ZF909900	VR	B 10kΩ RK1631110G		ロータリーボリューム	
* VR405-406	ZC109700	VR. TRIM	B 2KΩ		半固定ボリューム	

* New Parts / 新規部品

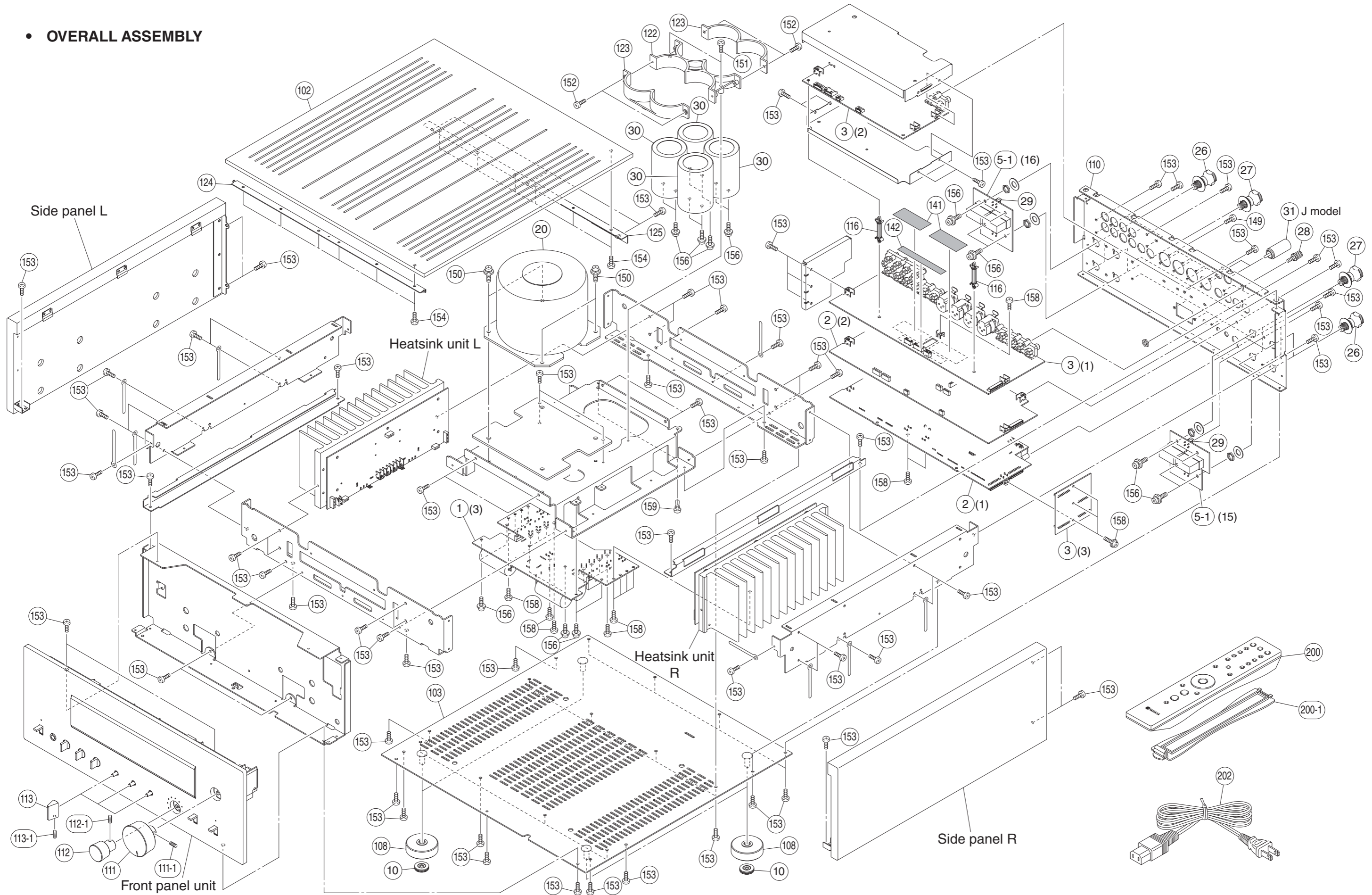
Carbon Resistors

Value	1/4W Type Part No.	1/6W Type Part No.	Value	1/4W Type Part No.	1/6W Type Part No.
1.0 Ω	HJ35 3100	HF85 3100	11 kΩ	HF45 7110	HF45 7110
1.8 Ω	HJ35 3180	*	12 kΩ	HJ35 7120	HF85 7120
2.2 Ω	HJ35 3220	HF85 3220	13 kΩ	HF45 7130	HF45 7130
3.3 Ω	HJ35 3330	HF85 3330	15 kΩ	HF45 7150	HF45 7150
4.7 Ω	HJ35 3470	HF85 3470	18 kΩ	HF45 7180	HF45 7180
5.6 Ω	HJ35 3560	HF85 3560	22 kΩ	HF45 7220	HF45 7220
10 Ω	HF45 4100	HF45 4100	24 kΩ	HF45 7240	HF45 7240
15 Ω	HJ35 4150	HF85 4150	27 kΩ	HJ35 7270	HF85 7270
22 Ω	HF45 4220	HF45 4220	30 kΩ	HF45 7300	HF45 7300
27 Ω	HJ35 4270	HF85 4270	33 kΩ	HF45 7330	HF45 7330
33 Ω	HF45 4330	HF45 4330	36 kΩ	HF45 7360	HF45 7360
39 Ω	HJ35 4470	HF85 4390	39 kΩ	HF45 7390	HF45 7390
47 Ω	HF45 4470	HF45 4470	47 kΩ	HF45 7470	HF45 7470
56 Ω	HF45 4560	HF45 4560	51 kΩ	HF45 7510	HF45 7510
68 Ω	HF45 4680	HF45 4680	56 kΩ	HF45 7560	HF45 7560
75 Ω	HF45 4750	HF45 4750	62 kΩ	HF45 7620	HF45 7620
82 Ω	HF45 4820	HF45 4820	68 kΩ	HF45 7680	HF45 7680
91 Ω	HF45 4910	HF45 4910	82 kΩ	HF45 7820	HF45 7820
100 Ω	HF45 5100	HF45 5100	91 kΩ	HF45 7910	HF45 7910
110 Ω	HJ35 5110	HF85 5110	100 kΩ	HF45 8100	HF45 8100
120 Ω	HF45 5120	HF45 5120	110 kΩ	HF45 8110	HF45 8110
150 Ω	HF45 5150	HF45 5150	120 kΩ	HF45 8120	HF45 8120
160 Ω	HJ35 5160	*	130 kΩ	HF45 8130	*
180 Ω	HF45 5180	HF45 5180	150 kΩ	HF45 8150	HF45 8150
200 Ω	HF45 5200	HF45 5200	180 kΩ	HF45 8180	HF45 8180
220 Ω	HF45 5220	HF45 5220	220 kΩ	HJ35 8220	HF85 8220
270 Ω	HF45 5270	HF45 5270	270 kΩ	HF45 8270	HF45 8270
330 Ω	HF45 5330	HF45 5330	300 kΩ	HF45 8300	HF45 8300
390 Ω	HF45 5390	HF45 5390	330 kΩ	HF45 8330	HF45 8330
430 Ω	HF45 5430	HF45 5430	390 kΩ	HJ35 8390	HF85 8390
470 Ω	HF45 5470	HF45 5470	470 kΩ	HF45 8470	HF45 8470
510 Ω	HF45 5510	HF45 5510	560 kΩ	HJ35 8560	HF85 8560
560 Ω	HF45 5560	HF45 5560	680 kΩ	HJ35 8680	HF85 8680
680 Ω	HF45 5680	HF45 5680	820 kΩ	HJ35 8820	HF85 8820
820 Ω	HF45 5820	HF45 5820	1.0 MΩ	HF45 9100	HF45 9100
910 Ω	HF45 5910	HF45 5910	1.2 MΩ	HJ35 9120	*
1.0 kΩ	HF45 6100	HF45 6100	1.5 MΩ	HJ35 9150	HF85 9150
1.2 kΩ	HF45 6120	HF45 6120	1.8 MΩ	HJ35 9180	HF85 9180
1.5 kΩ	HF45 6150	HF45 6150	2.2 MΩ	HJ35 9220	HF85 9220
1.8 kΩ	HF45 6180	HF45 6180	3.3 MΩ	HJ35 9330	HF85 9330
2.0 kΩ	HJ35 6200	HF85 6200	3.9 MΩ	HJ35 9390	*
2.2 kΩ	HF45 6220	HF45 6220	4.7 MΩ	HJ35 9470	HF85 9470
2.4 kΩ	HJ35 6240	HF85 6240			
2.7 kΩ	HF45 6270	HF45 6270			
3.0 kΩ	HF45 6300	HF45 6300			
3.3 kΩ	HF45 6330	HF45 6330			
3.6 kΩ	HJ35 6360	HF85 6360			
3.9 kΩ	HF45 6390	HF45 6390			
4.7 kΩ	HF45 6470	HF45 6470			
5.1 kΩ	HF45 6510	HF45 6510			
5.6 kΩ	HF45 6560	HF45 6560			
6.8 kΩ	HF45 6680	HF45 6680			
8.2 kΩ	HF45 6820	HF45 6820			
9.1 kΩ	HF45 6910	HF45 6910			
10 kΩ	HF45 7100	HF45 7100			



* : Not available

• OVERALL ASSEMBLY



Ref No.	Part No.	Description	Remarks	Markets	部 品 名	ランク
* 1	ZF846000	P. C. B. ASSEMBLY	MAIN	J	PCB MAIN	
* 1	ZF846100	P. C. B. ASSEMBLY	MAIN	U	PCB MAIN	
* 1	ZF846200	P. C. B. ASSEMBLY	MAIN	TK	PCB MAIN	
* 1	ZF846300	P. C. B. ASSEMBLY	MAIN	A	PCB MAIN	
* 1	ZF846400	P. C. B. ASSEMBLY	MAIN	B	PCB MAIN	
* 1	ZF846500	P. C. B. ASSEMBLY	MAIN	G	PCB MAIN	
* 1	ZF846600	P. C. B. ASSEMBLY	MAIN	L	PCB MAIN	
* 1	ZF846700	P. C. B. ASSEMBLY	MAIN	V	PCB MAIN	
* 2	ZF847000	P. C. B. ASSEMBLY	FUNCTION	J	PCB FUNCTION	
* 2	ZF847100	P. C. B. ASSEMBLY	FUNCTION	U	PCB FUNCTION	
* 2	ZF847200	P. C. B. ASSEMBLY	FUNCTION	TK	PCB FUNCTION	
* 2	ZF847300	P. C. B. ASSEMBLY	FUNCTION	A	PCB FUNCTION	
* 2	ZF847400	P. C. B. ASSEMBLY	FUNCTION	B	PCB FUNCTION	
* 2	ZF847500	P. C. B. ASSEMBLY	FUNCTION	G	PCB FUNCTION	
* 2	ZF847600	P. C. B. ASSEMBLY	FUNCTION	L	PCB FUNCTION	
* 2	ZF847700	P. C. B. ASSEMBLY	FUNCTION	V	PCB FUNCTION	
* 3	ZF848000	P. C. B. ASSEMBLY	INPUT	J	PCB INPUT	
* 3	ZF848100	P. C. B. ASSEMBLY	INPUT	UV	PCB INPUT	
* 3	ZF848200	P. C. B. ASSEMBLY	INPUT	TK	PCB INPUT	
* 3	ZF848300	P. C. B. ASSEMBLY	INPUT	AL	PCB INPUT	
* 3	ZF848400	P. C. B. ASSEMBLY	INPUT	B	PCB INPUT	
* 3	ZF848500	P. C. B. ASSEMBLY	INPUT	G	PCB INPUT	
* 5-1	ZF848900	P. C. B. ASSEMBLY	FRONT	J	PCB FRONT	
* 5-1	ZF853700	P. C. B. ASSEMBLY	FRONT	J	PCB FRONT	
* 5-1	ZF849000	P. C. B. ASSEMBLY	FRONT	U	PCB FRONT	
* 5-1	ZF853800	P. C. B. ASSEMBLY	FRONT	U	PCB FRONT	
* 5-1	ZF849100	P. C. B. ASSEMBLY	FRONT	T	PCB FRONT	
* 5-1	ZF853900	P. C. B. ASSEMBLY	FRONT	T	PCB FRONT	
* 5-1	ZF849200	P. C. B. ASSEMBLY	FRONT	K	PCB FRONT	
* 5-1	ZF854000	P. C. B. ASSEMBLY	FRONT	K	PCB FRONT	
* 5-1	ZF849300	P. C. B. ASSEMBLY	FRONT	A	PCB FRONT	
* 5-1	ZF854100	P. C. B. ASSEMBLY	FRONT	A	PCB FRONT	
* 5-1	ZF849400	P. C. B. ASSEMBLY	FRONT	B	PCB FRONT	
* 5-1	ZF854200	P. C. B. ASSEMBLY	FRONT	B	PCB FRONT	
* 5-1	ZF849500	P. C. B. ASSEMBLY	FRONT	G	PCB FRONT	
* 5-1	ZF854300	P. C. B. ASSEMBLY	FRONT	G	PCB FRONT	
* 5-1	ZF849600	P. C. B. ASSEMBLY	FRONT	L	PCB FRONT	
* 5-1	ZF854400	P. C. B. ASSEMBLY	FRONT	L	PCB FRONT	
* 5-1	ZF849700	P. C. B. ASSEMBLY	FRONT	V	PCB FRONT	
* 5-1	ZF854500	P. C. B. ASSEMBLY	FRONT	V	PCB FRONT	
10	WM078400	MAGNET FOOT	D20t=5.3, PAD D16.4		BASE LEG UNIT	07
△ * 20	YF126A00	POWER TRANSFORMER		J	電源トランス	
△ * 20	YF127A00	POWER TRANSFORMER		U	電源トランス	
△ * 20	YF128A00	POWER TRANSFORMER		L	電源トランス	
△ * 20	YF129A00	POWER TRANSFORMER		TK	電源トランス	
△ * 20	YF130A00	POWER TRANSFORMER		A	電源トランス	
△ * 20	YF131A00	POWER TRANSFORMER		BG	電源トランス	
△ * 20	YF132A00	POWER TRANSFORMER		V	電源トランス	
* 26	ZF812300	SPEAKER TERMINAL	B166-20R Red	D22 H23, φ6, BANANA	JUTAV	スピーカー端子
* 26	ZF812100	SPEAKER TERMINAL	B166-10R Red	D22 H23, φ6	KBGL	スピーカー端子
* 27	ZF812400	SPEAKER TERMINAL	B166-20G Gray	D22 H23, φ6, BANANA	JUTAV	スピーカー端子
* 27	ZF812200	SPEAKER TERMINAL	B166-10G Gray	D22 H23, φ6	KBGL	スピーカー端子
* 28	ZG334700	GND TERMINAL UNIT	Gold, D10, φ2.4			GNDターミナルユニット
* 29	WK947700	SCREW TERMINAL	D2.6			ネジ端子
#* 30	ZF206200	ELECTROLYTIC CAPACITOR	22000uF 63V	±B1, ±B2, ±B3, ±B4		ケミコン
* 31	ZJ288800	SHORT PIN	DL-001 Gold	for PHONO L/R	J	ショートピン
* 102	ZF766300	TOP PANEL		BL, BP		トップパネル

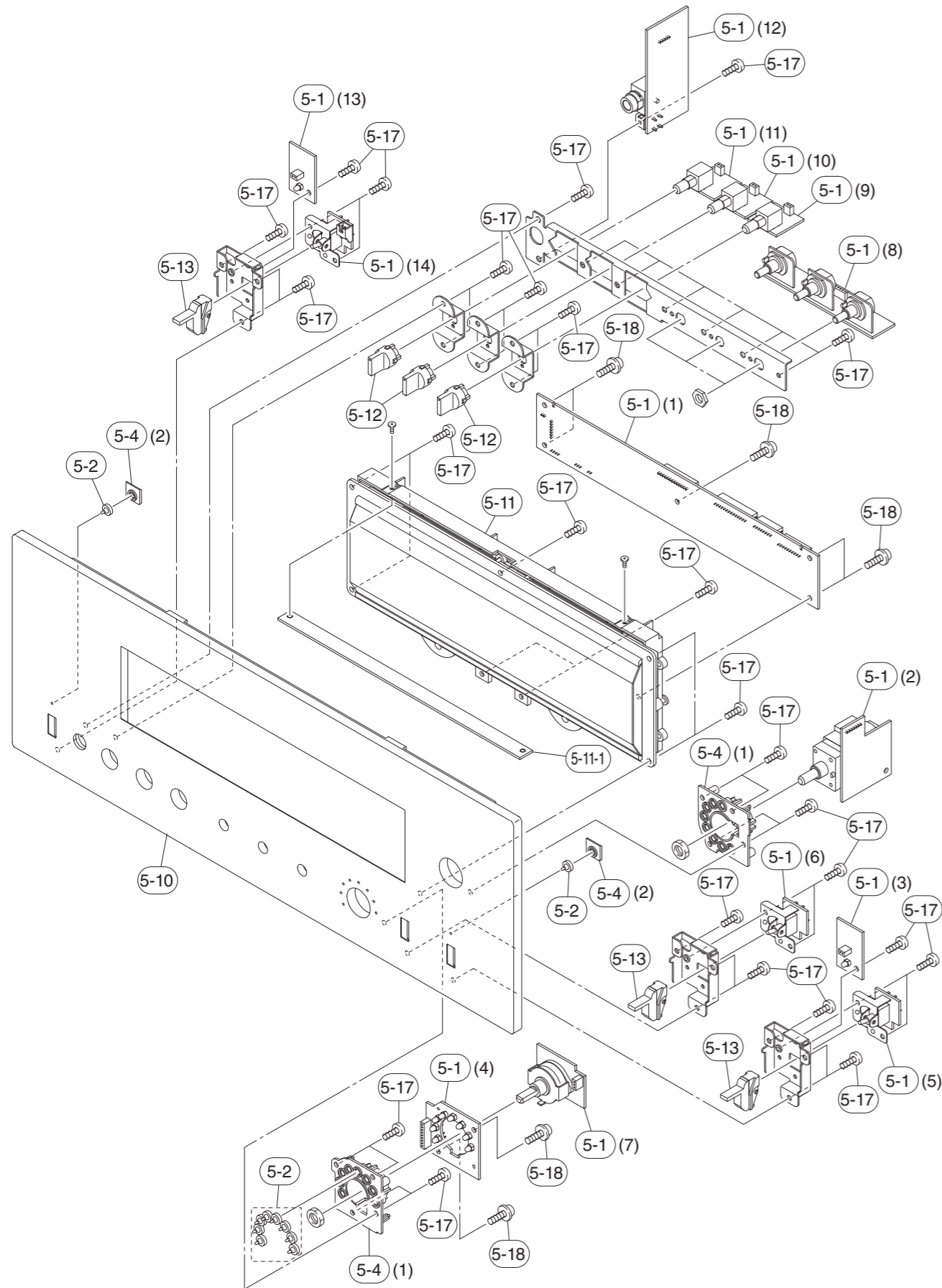
* New Parts / 新規部品 Finish / 仕上げ..... BL: Black/Dark brown color, BP: Black/Piano black color, SI: Silver/Birch color, SP: Silver/Piano black color

Note) Those parts marked with "#" are not included in the P.C.B. assembly. / マーク#の部品は、P.C.B. Ass'yに含まれません。

Ref No.	Part No.	Description	Remarks	Markets	部 品 名	ランク
* 102	ZF766200	TOP PANEL	SI, SP		トップパネル	
* 103	ZF761200	BOTTOM COVER			ボトムカバー	
108	WK850300	FOOT	D45 t=16		脚	08
* 110	ZF761700	REAR PANEL		J	リアパネル	
* 110	ZF761800	REAR PANEL		U	リアパネル	
* 110	ZF761900	REAR PANEL		T	リアパネル	
* 110	ZF762000	REAR PANEL		K	リアパネル	
* 110	ZF762900	REAR PANEL		A	リアパネル	
* 110	ZF762200	REAR PANEL		BG	リアパネル	
* 110	ZF762100	REAR PANEL		L	リアパネル	
* 110	ZF762300	REAR PANEL		V	リアパネル	
* 111	ZF766700	KNOB UNIT	VOLUME	BL, BP	つまみ	
* 111	ZF766600	KNOB UNIT	VOLUME	SI, SP	つまみ	
* 111-1	ZG813700	LOCK SET SCREW	4x5 6SOCK MFZN2B3	HEXAGONAL WRENCH SIZE: 2	六角止めネジ	
* 112	ZF767100	KNOB UNIT	INPUT	BL, BP	つまみ	
* 112	ZF767000	KNOB UNIT	INPUT	SI, SP	つまみ	
* 112-1	ZG813700	LOCK SET SCREW	4x5 6SOCK MFZN2B3	HEXAGONAL WRENCH SIZE: 2	六角止めネジ	
* 113	ZF767500	KNOB UNIT	BASS, TREBLE, BALANCE	BL, BP	つまみ	
* 113	ZF767400	KNOB UNIT	BASS, TREBLE, BALANCE	SI, SP	つまみ	
* 113-1	ZG813700	LOCK SET SCREW	4x5 6SOCK MFZN2B3	HEXAGONAL WRENCH SIZE: 2	六角止めネジ	
116	ZE764000	LOCK SUPPORT	LSB-28		ロックサポート	01
122	WK848900	SUPPORT	CAPASITOR IN		サポート	01
123	WK849000	SUPPORT	CAPACITOR OUT		サポート	01
* 124	ZF764000	SUPPORT	TOP PANEL, FRONT		サポート	
* 125	ZF764100	SUPPORT	TOP PANEL, REAR		サポート	
* 141	WR122700	DAMPER	30x70		ダンパー	
142	WW735100	DAMPER	15x100x3		ダンパー	01
* 149	ZG185500	PAN HEAD P-TIGHT SCREW	2.6x8 MFZN2B2		ナベPタイトネジ	
150	WMO59800	PAN HEAD SCREW	5x12 MFZN2B3		ナベ小ネジ	01
151	WE973300	BIND HEAD B-TIGHT SCREW	3x16 MFZN2B3		バインドBタイトネジ	01
152	WF268000	BIND HEAD P-TIGHT SCREW	3x10 MFZN2B3		バインドPタイトネジ	01
153	WE774100	BIND HEAD BONDING B-T. SCREW	3x8 MFZN2B3		ボンディングBタイトネジ	01
154	WF304200	BIND HEAD S-TIGHT SCREW	3x5 MFZN2B3		バインドSタイトネジ	01
* 156	ZF772100	SEMS SCREW	4x8 PW MFZN2W3		セムス小ネジ	
* 158	ZJ005300	BIND B-TIGHT SCREW	3x8 MFC2		バインドBタイトネジ	
159	VQ368600	PUSH RIVET	P3555-B		プッシュリベット	01
		ACCESSORIES			付属品	
* 200	ZF783600	REMOTE CONTROL	RAS30	000-229000010	リモコン	
* 200-1	ZJ256400	BATTERY COVER	Black	CG-44369	電池蓋	
△ * 202	ZG600300	POWER CABLE	1.5m 1pc		電源コード	
△ * 202	WK991800	POWER CABLE	2m 1pc		電源コード	
△ * 202	WV837300	POWER CABLE	2m 1pc		電源コード	
△ * 202	WT687400	POWER CABLE	2m 1pc		電源コード	
△ * 202	WB750900	POWER CABLE	2m 1pc		電源コード	07
△ * 202	WQ749200	POWER CABLE	2m 1pc		電源コード	
△ * 202	WK991900	POWER CABLE	2m 1pc		電源コード	
△ * 202	WK391000	POWER CABLE	2m 1pc		電源コード	
		BATTERY	R03, AAA, UM-4 2pcs		単4乾電池	
		SERVICE TOOLS			サービスツール	
	WZ064500	RS-232C CONVERSION ADAPTOR	VERSION 4.0	with CABLE 9P	RS-232C変換アダプター	13
	ZD896000	FLEXIBLE FLAT CABLE	9P 150mm P=1.25	SUPPORTING TAPE	カード電線 補強テープ付	01

* New Parts / 新規部品 Finish / 仕上げ..... BL: Black/Dark brown color, BP: Black/Piano black color, SI: Silver/Birch color, SP: Silver/Piano black color

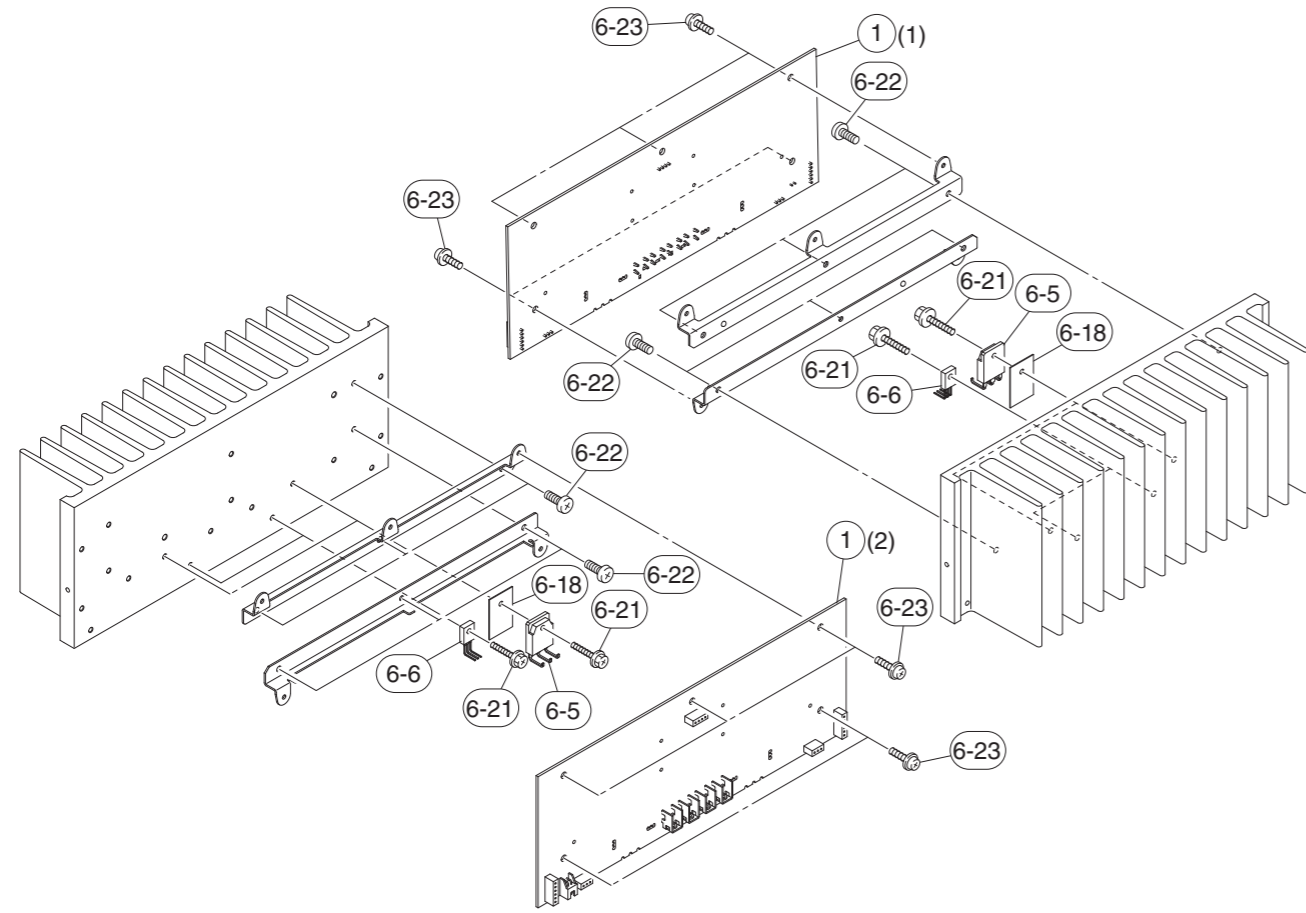
• FRONT PANEL UNIT



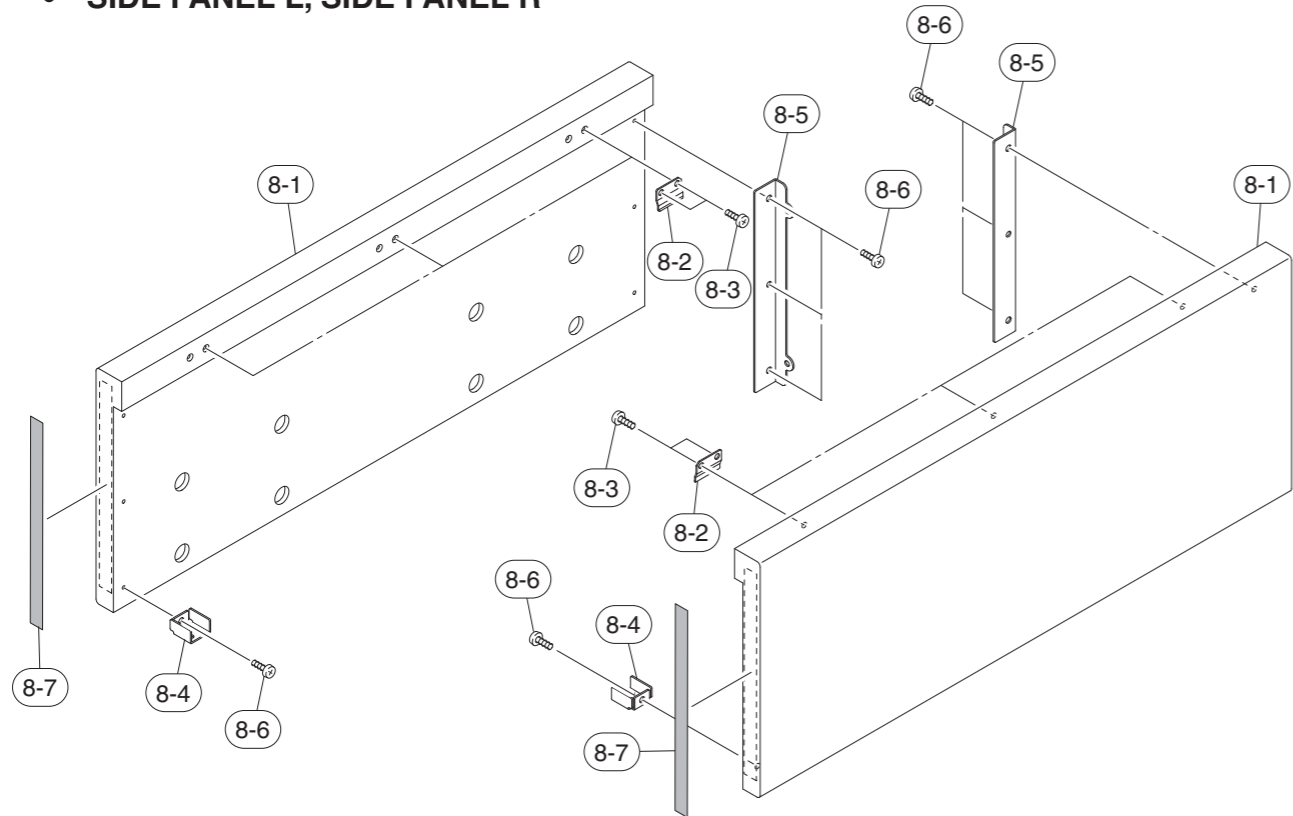
Ref No.	Part No.	Description	Remarks	Markets	部品名	ランク
* 5-1	ZF848900	P. C. B. ASSEMBLY	FRONT	BL, BP	J	PCB FRONT
* 5-1	ZF853700	P. C. B. ASSEMBLY	FRONT	SI, SP	J	PCB FRONT
* 5-1	ZF849000	P. C. B. ASSEMBLY	FRONT	BL, BP	U	PCB FRONT
* 5-1	ZF853800	P. C. B. ASSEMBLY	FRONT	SI, SP	U	PCB FRONT
* 5-1	ZF849100	P. C. B. ASSEMBLY	FRONT	BL, BP	T	PCB FRONT
* 5-1	ZF853900	P. C. B. ASSEMBLY	FRONT	SI, SP	T	PCB FRONT
* 5-1	ZF849200	P. C. B. ASSEMBLY	FRONT	BL, BP	K	PCB FRONT
* 5-1	ZF854000	P. C. B. ASSEMBLY	FRONT	SI, SP	K	PCB FRONT
* 5-1	ZF849300	P. C. B. ASSEMBLY	FRONT	BL, BP	A	PCB FRONT
* 5-1	ZF854100	P. C. B. ASSEMBLY	FRONT	SI, SP	A	PCB FRONT
* 5-1	ZF849400	P. C. B. ASSEMBLY	FRONT	BL, BP	B	PCB FRONT
* 5-1	ZF854200	P. C. B. ASSEMBLY	FRONT	SI, SP	B	PCB FRONT
* 5-1	ZF849500	P. C. B. ASSEMBLY	FRONT	BL, BP	G	PCB FRONT
* 5-1	ZF854300	P. C. B. ASSEMBLY	FRONT	SI, SP	G	PCB FRONT
* 5-1	ZF849600	P. C. B. ASSEMBLY	FRONT	BL, BP	L	PCB FRONT
* 5-1	ZF854400	P. C. B. ASSEMBLY	FRONT	SI, SP	L	PCB FRONT
* 5-1	ZF849700	P. C. B. ASSEMBLY	FRONT	BL, BP	V	PCB FRONT
* 5-1	ZF854500	P. C. B. ASSEMBLY	FRONT	SI, SP	V	PCB FRONT
5-2	WK849200	LENS	LED			レンズ
* 5-4	ZF770500	SUPPORT	LENS			サポート
* 5-10	ZF765400	FRONT PANEL	Black	BL, BP	JUKABGLV	フロントパネル
* 5-10	ZF765200	FRONT PANEL	Silver	SI, SP	JUKABGLV	フロントパネル
* 5-10	ZF765500	FRONT PANEL	Black	BL, BP	T	フロントパネル
* 5-10	ZF765300	FRONT PANEL	Silver	SI, SP	T	フロントパネル
* 5-11	ZJ298700	METER UNIT	YM-260B Black	BL, BP		メーターユニット
* 5-11	ZJ298600	METER UNIT	YM-260S Silver	SI, SP		メーターユニット
* 5-11-1	ZJ381900	LED P. C. B.	for METER UNIT	81A2565		LED基板
* 5-12	ZF768400	KNOB	D13 Black	BL, BP		ツマミ
* 5-12	ZF768300	KNOB	D13 Silver	SI, SP		ツマミ
* 5-13	ZF767900	SWITCH LEVER	Black	BL, BP		スイッチレバー
* 5-13	ZF767800	SWITCH LEVER	Silver	SI, SP		スイッチレバー
5-17	WE936300	BIND HEAD B-TIGHT SCREW	3x6 MFZN2W3			バインドBタイトネジ
5-18	WF266600	BIND HEAD P-TIGHT SCREW	3x8 MFZN2B3			バインドPタイトネジ

* New Parts / 新規部品 Finish / 仕上げ..... BL: Black/Dark brown color, BP: Black/Piano black color, SI: Silver/Birch color, SP: Silver/Piano black color

• HEATSINK UNIT L, HEATSINK UNIT R



• SIDE PANEL L, SIDE PANEL R

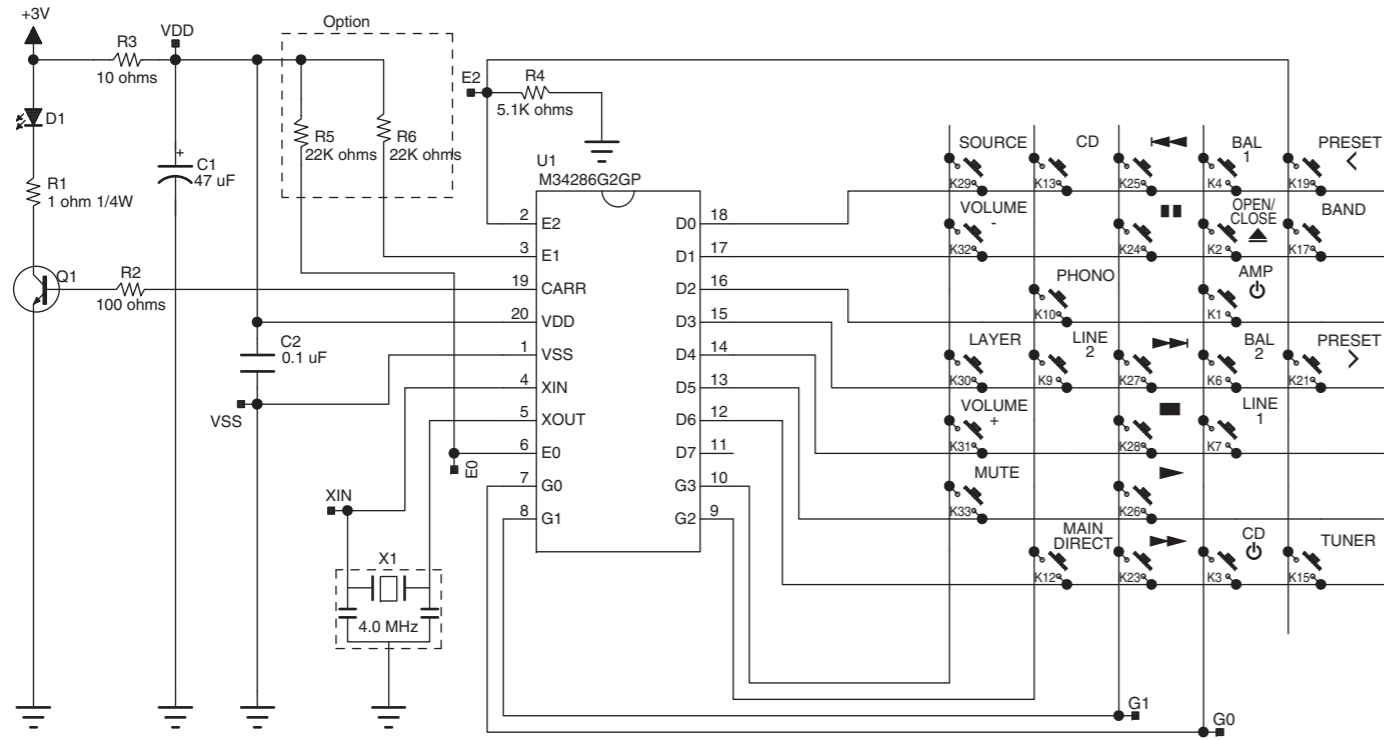


Ref No.	Part No.	Description	Remarks	Markets	部品名	ランク	
		HEATSINK L, HEASINK R					
* 1	ZF846000	P. C. B. ASSEMBLY	MAIN	J	PCB MAIN		
* 1	ZF846100	P. C. B. ASSEMBLY	MAIN	U	PCB MAIN		
* 1	ZF846200	P. C. B. ASSEMBLY	MAIN	TK	PCB MAIN		
* 1	ZF846300	P. C. B. ASSEMBLY	MAIN	A	PCB MAIN		
* 1	ZF846400	P. C. B. ASSEMBLY	MAIN	B	PCB MAIN		
* 1	ZF846500	P. C. B. ASSEMBLY	MAIN	G	PCB MAIN		
* 1	ZF846600	P. C. B. ASSEMBLY	MAIN	L	PCB MAIN		
* 1	ZF846700	P. C. B. ASSEMBLY	MAIN	V	PCB MAIN		
# 6-5	ZE903800	FET	MLE20	Q113, Q119, Q213, Q219	FET		
# 6-6	ZE955600	TRANSISTOR	KTC3964-U/PH	Q103, Q203	トランジスタ		
6-18	VV849300	RADIATION SHEET	19x24		放熱シート	01	
6-21	VK173200	SCREW TRANSISTOR	3x15 SP MFC2		スクリューTR	01	
6-22	WE774100	BIND HEAD BONDING B-T. SCREW	3x8 MFZN2B3		ボンディングBタイトネジ	01	
* 6-23	ZJ005300	BIND B-TIGHT SCREW	3x8 MFC2		バインドBタイトネジ		
		SIDE PANEL L, SIDE PANEL R					
* 8-1	ZF771100	SIDE PANEL	Piano Black color	BP, SP	JUTABGLV	サイドパネル	
* 8-1	ZF771000	SIDE PANEL	Dark Brown color	BL	KAGLV	サイドパネル	
* 8-1	ZF770900	SIDE PANEL	Birch color	SI	KAGLV	サイドパネル	
8-2	WK862400	SUPPORT SIDE				サポートサイド	01
8-3	WN069200	PAN HEAD TAPPING SCREW #1	3.5x16 MFZN2B3			ナベタッピングネジ	01
* 8-4	ZF763700	SUPPORT	SIDE PANEL, FRONT			サポート	
* 8-5	ZF763800	SUPPORT	SIDE PANEL, REAR			サポート	
* 8-6	ZF772200	BIND HEAD TAPPING SCREW	3.5x8 MFZN2W3			バインドTPネジ	
8-7	WM261400	SPACER	140x10x0.25			スペーサー	01

* New Parts / 新規部品 Finish / 仕上げ..... BL: Black/Dark brown color, BP: Black/Piano black color, SI: Silver/Birch color, SP: Silver/Piano black color

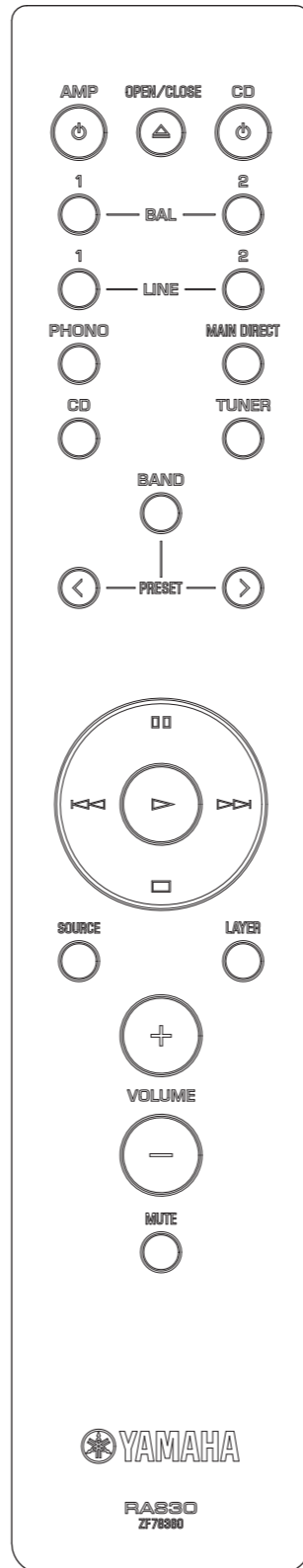
Note) Those parts marked with "#" are not included in the P.C.B. assembly. / マーク#の部品は、P.C.B. Ass'yに含まれません。 99

REMOTE CONTROL SCHEMATIC DIAGRAM

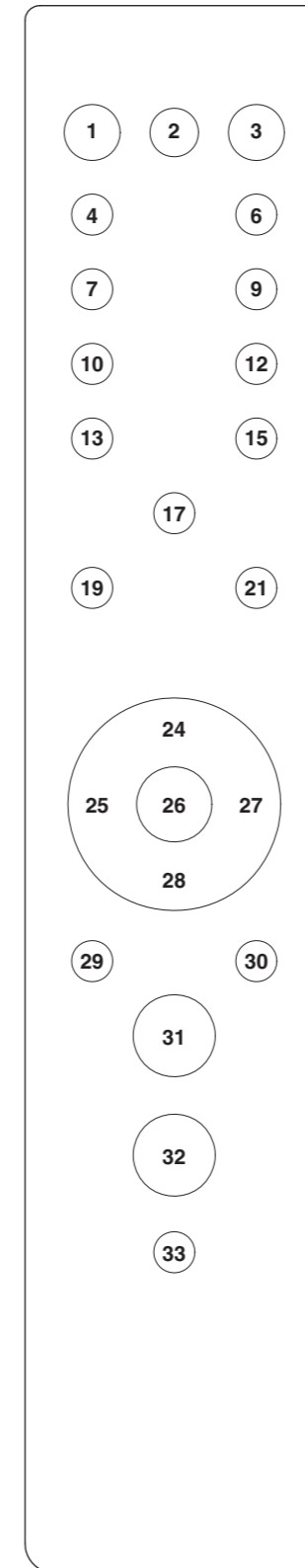


No.	Model name:	R5	R6
1.	RAS30	X	X
2.	CDX30	X	O

PANEL



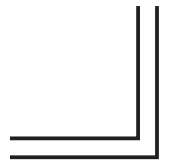
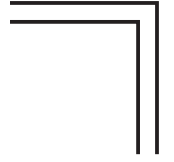
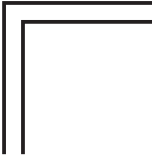
KEY NO. LAYOUT



KEY CODE

Key No.	Key Name	Mode-1		Mode-2	
		Customer code	Data code	Customer code	Data code
1	AMP	7E	2AD4	7E	2AD4
2	OPEN/CLOSE	79	01	79	01
3	CD	79	60	79	60
4	BAL1	7D	8C	7A	651B
6	BAL2	7A	6816	7A	6816
7	LINE1	7D	8A	7A	C13F
9	LINE2	7D	8B	7A	18E6
10	PHONO	7D	88	7A	14EA
12	MAIN DIRECT	7D	C0	7A	8779
13	CD	7D	87	7A	15EB
15	TUNER	7D	89	7A	16E8
17	BAND	7A	AE	7A	AE
19	PRESET	7A	11	7A	11
21	PRESET	7A	10	7A	10
24	(pause)	79	55	79	55
25	(skip-)	79	04	79	04
26	(play)	79	02	79	02
27	(skip+)	79	07	79	07
28	(stop)	79	56	79	56
29	SOURCE	79	6F	79	6F
30	LAYER	79	6D	79	6D
31	VOLUME+	7D	8D	7A	1AE4
32	VOLUME-	7D	8E	7A	1BE5
33	MUTE	7D	94	7A	1CE2

MEMO



A-S3000

